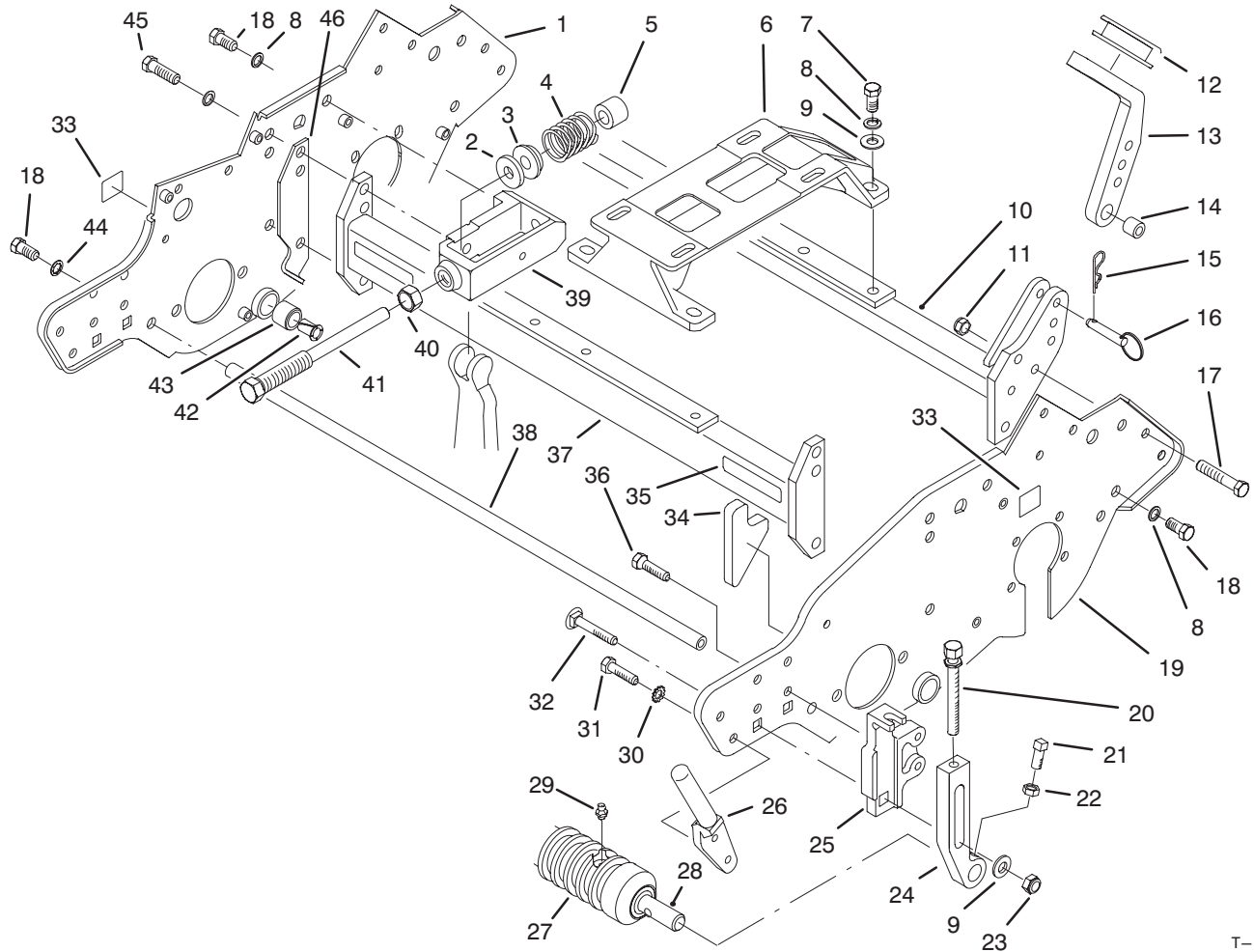


**TORO**<sup>®</sup>

MODEL NO. 04052-50001 &amp; UP

**PARTS  
CATALOG****GREENSMASTER<sup>®</sup> 1000  
Traction Unit & Cutting Unit**

T-1995

**FRAME ASSEMBLY**

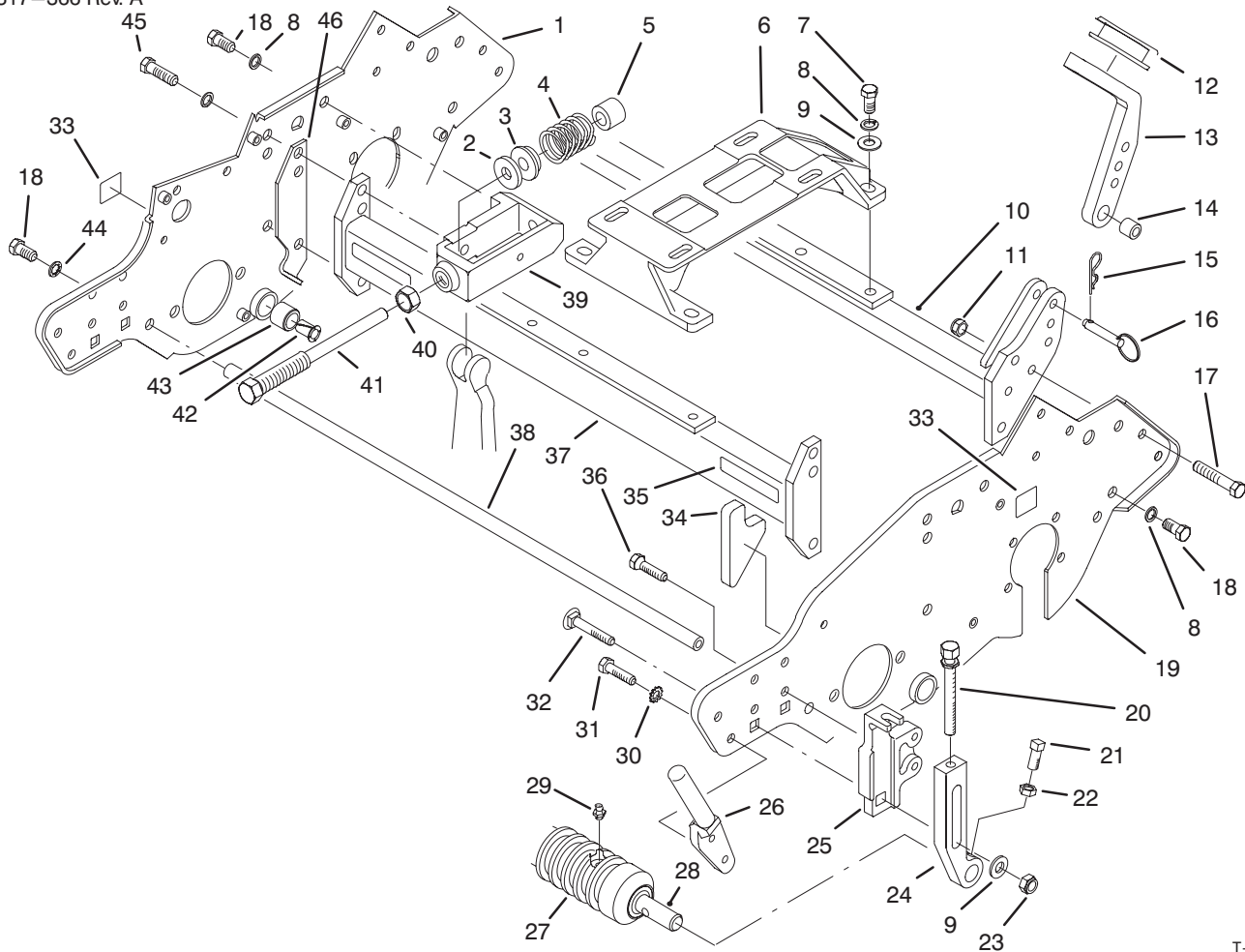
Ref. No.	Part No.	Description	No. Used
1	93-6093	Side Plate Assembly RH (Incl. Ref. #33)	1
2	65-8680	Washer - Thrust	2
3	65-6380	Collar - Thrust	2
4	65-6400	Spring - Compression	2
5	65-6360	Support - Spring	2
6	88-7670	Base - Engine	1
7	323-5	Screw - Cap Hex. Hd.	4
8	3253-21	Washer - Spring Lock	16
9	3256-24	Washer - Flat	6
10	93-6025	Rear Frame W.A.	1
11	3296-29	Nut - Lock	2
12	65-7510	Grommet - Handle	2
13	93-6038	Arm - Handle LH	1
*	93-6037	Arm - Handle RH	1
14	93-6024	Bushing - Handle Support	2

Ref. No.	Part No.	Description	No. Used
15	3290-467	Pin - Cotter, Hair	2
16	93-6029	Pin - Ring	2
17	322-9	Screw - Cap Hex. Hd.	2
18	323-4	Screw - Cap Hex. Hd.	12
19	93-6094	Side Plate Assembly LH (Incl. Ref. #33)	1
20	93-6051	Screw - Height of Cut	2
21	3242-4	Screw - Set	2
22	3218-2	Nut - Jam	2
23	3296-39	Nut - Lock	2
24	93-6090	Arm - Height of Cut	2
25	93-6049	Bracket - Height of Cut, LH	1
*	93-6048	Bracket - Height of Cut, RH	1
26	65-8570	Rod - Grass Catcher	2
27	88-6790	Wihle Roller Assembly (Incl. Ref. #28 & 29)	1

\*Not Illustrated

© The TORO Company - 1994, Rev. 1995  
All Rights Reserved

TPS



T-1995

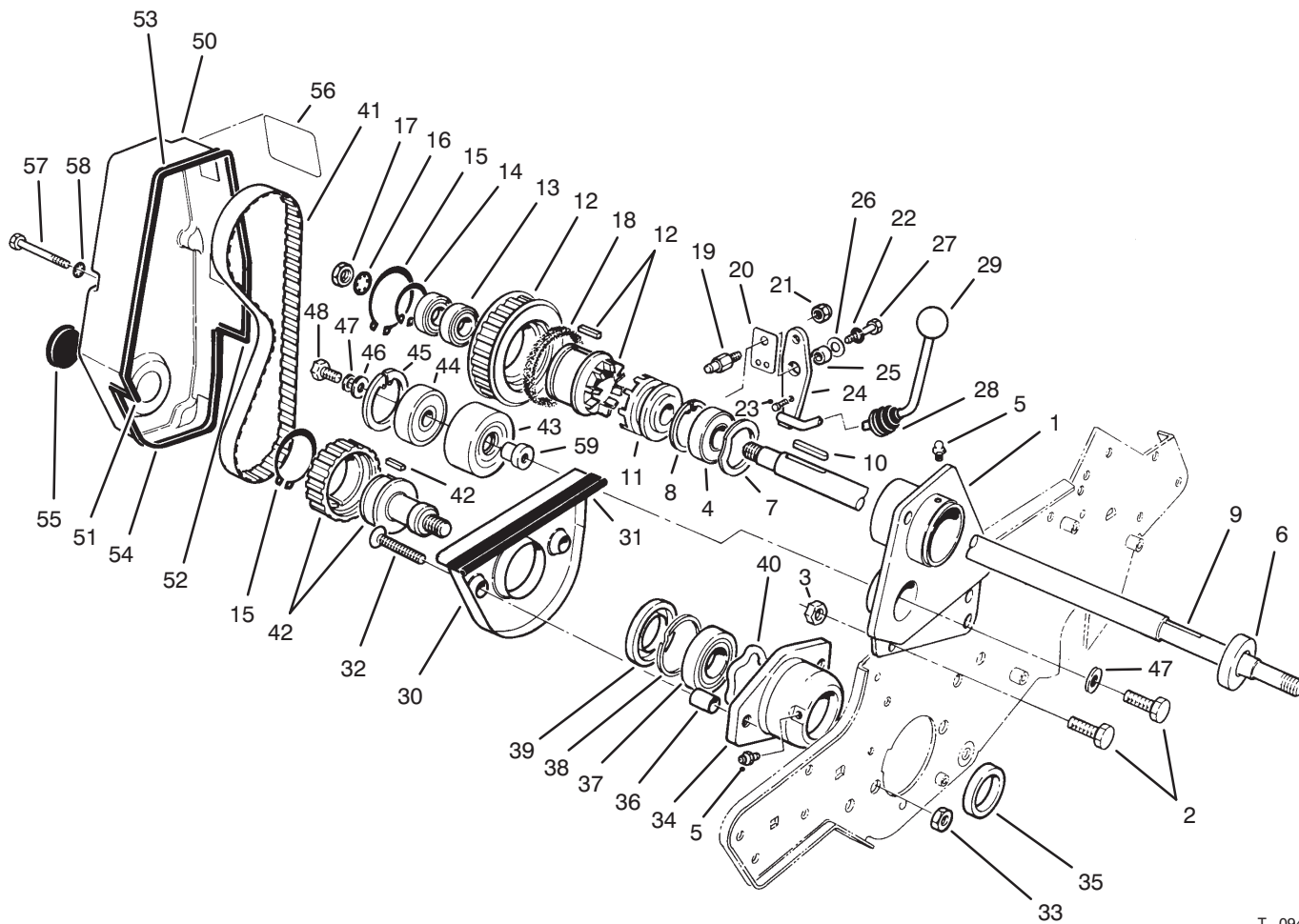
## FRAME ASSEMBLY (Continued)

Ref. No.	Part No.	Description	No. Used
28	52-3180	Bearing	2
29	302-5	Fitting - Grease	2
30	3255-8	Washer - Lock	4
31	322-2	Screw - Cap Hex. Hd.	4
32	3231-5	Screw - Carriage	2
‡33	88-8950	Decal - Warning, Belt (English)	3
34	93-6064	Seal - Grass Catcher	1
‡35	55-4300	Decal - Warning (English)	2
36	92-8914	Bolt - Tapered Face	4
37	93-6068	Front Frame Tube Assembly (Incl. Ref. #35)	1

Ref. No.	Part No.	Description	No. Used
38	88-7110	Rod - Frame Support	1
39	65-8670	Adjuster - Frame	2
40	3220-6	Nut - Jam	2
41	65-8690	Screw - Adjusting	2
42	52-2890	Bushing	2
43	63-9510	Bushing Assembly	2
44	3254-6	Washer - Int. Tooth Lock	2
45	323-18	Screw - Cap Hex. Hd.	2
46	88-7100	Spacer - RH	1
*	88-7090	Spacer - LH	1

\*Not Illustrated

‡For different language versions of this part, see International Parts Reference.

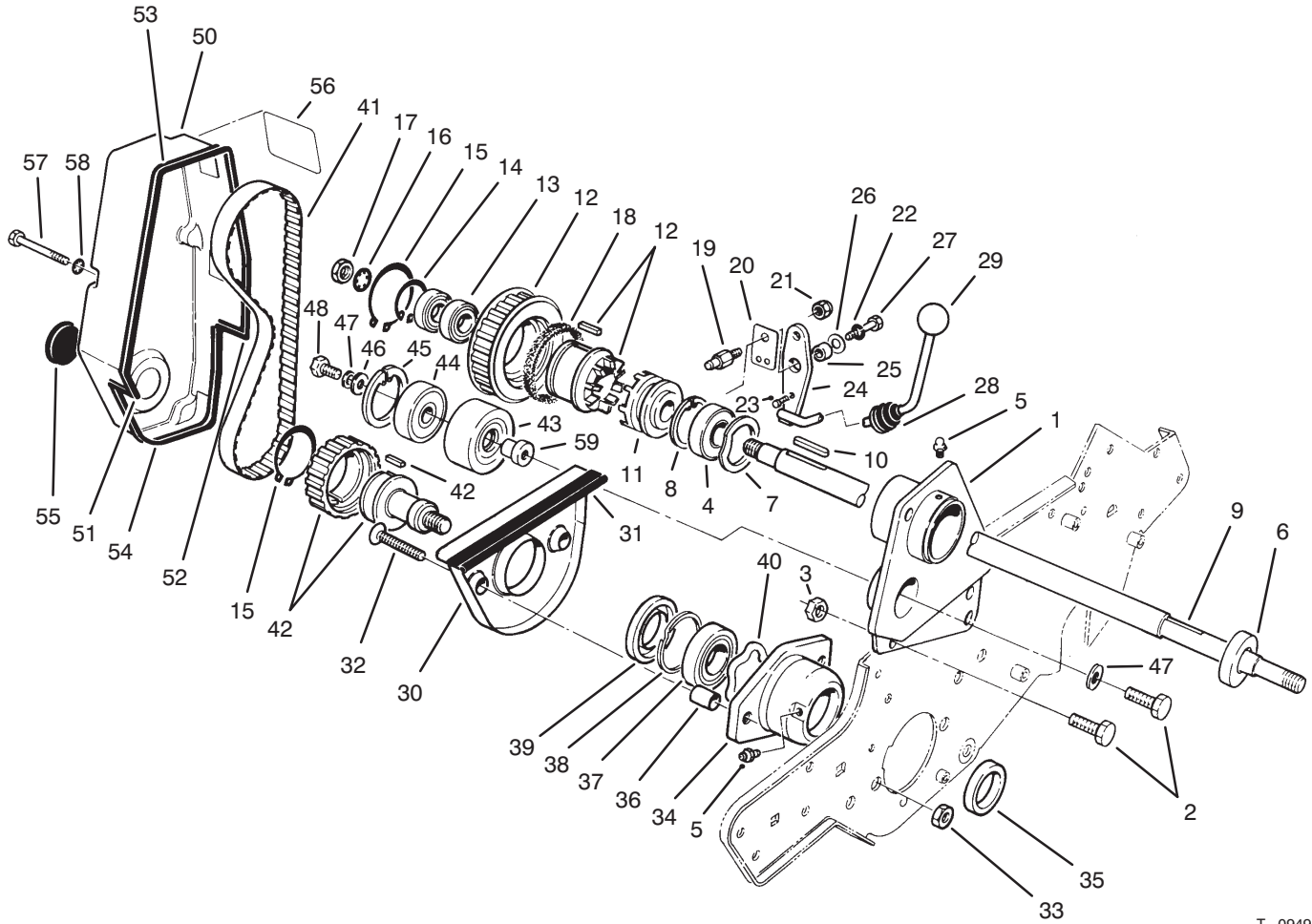


T-0949

## REEL DRIVE ASSEMBLY

Ref. No.	Part No.	Description	No. Used
1	92-8013	Housing - Clutch	1
2	322-5	Screw - Cap Hex. Hd.	3
3	3296-29	Nut - Lock	2
4	251-318	Bearing - Ball	1
5	302-5	Fitting - Grease	2
6	253-118	Seal - Oil	1
7	88-7720	Washer - Wave	1
8	32120-11	Ring - Retaining	1
9	93-6056	Shaft - Power	1
10	88-7150	Key - Square	2
11	65-6940	Clutch - Jaw Driver	1
12	88-7830	Clutch & Pulley Assembly	1
13	251-336	Bearing - Ball	2
14	32151-89	Ring - Retaining	1
15	32151-95	Ring - Retaining	2
16	3254-4	Washer - Lock I.T.L.W.	1
17	3220-5	Nut - Jam	1
18	65-6970	Seal - Felt	1
19	93-9014	Pin - Actuator	1
20	65-6290	Spring - Clutch Detent	1
21	3296-42	Nut - Lock	1
22	3253-3	Washer - Lock	1
23	3259-15	Screw - Drive	1
24	88-7170	Lever - Clutch	1
25	88-7860	Spacer	1
26	3290-414	Washer	1

Ref. No.	Part No.	Description	No. Used
27	321-4	Screw - Cap Hex. Hd.	1
28	65-8960	Boot - Clutch	1
29	233-69	Knob	1
30	65-7190	Cover - Groomer Arm	1
31	65-7131	Trim - Groomer Arm Cover	1
32	3289-23	Screw - Flat Hd.	2
33	3296-39	Nut	2
34	65-8640	Housing - Bearing	1
35	253-96	Seal	1
36	65-8290	Standoff - Cover	2
37	251-342	Bearing - Self-Aligning	1
38	32151-92	Ring - Retaining	1
39	253-163	Seal	1
40	3290-485	Washer - Wave	1
41	65-6200	Belt - Reel Drive	1
42	88-7840	Pulley & Drive Assembly	1
43	88-7850	Idler Pulley Assembly (Incl. Ref. #44-48 & 59)	1
44	38-7820	Bearing - Ball	1
45	32120-42	Ring - Snap	1
46	88-7200	Washer - Flat	1
47	3253-4	Washer - Lock	2
48	322-3	Screw - Cap Hex. Hd.	1
50	88-7700	Cover - Reel Drive	1
51	88-7770	Strip - Seal Front	1
52	88-7780	Strip - Seal Rear	1



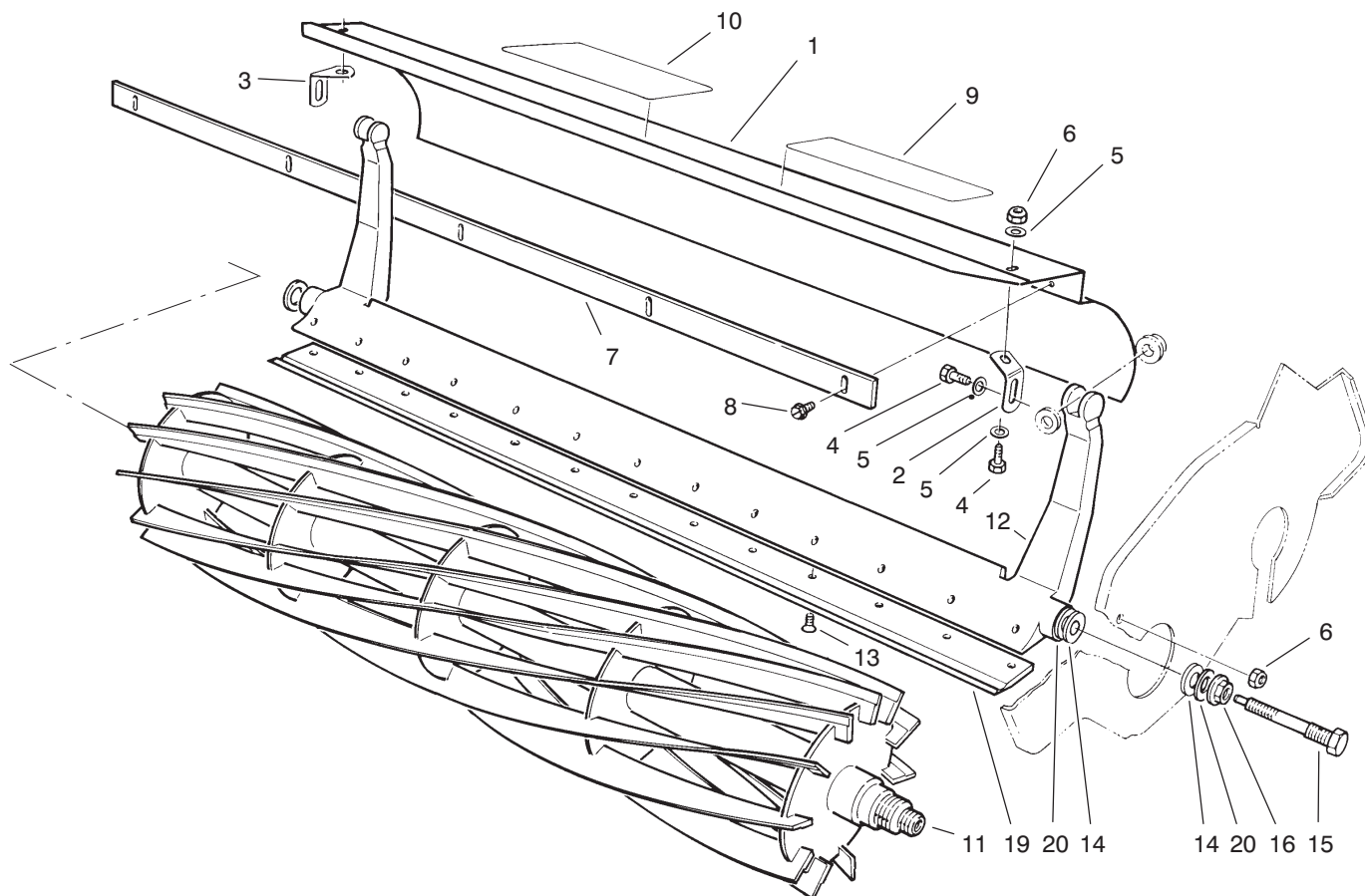
T-0949

## REEL DRIVE ASSEMBLY (Continued)

Ref. No.	Part No.	Description	No. Used
53	88-7790	Strip - Seal Upper	1
54	88-7800	Strip - Seal Lower	1
55	237-160	Plug	1
‡56	65-7660	Decal - Reel Engagement (English)	1

Ref. No.	Part No.	Description	No. Used
57	321-20	Screw - Cap Hex. Hd.	4
58	3254-8	Washer - Lock I.T.L.W.	4
59	88-7190	Spacer - Pulley Support	1

‡For different language versions of this part, see International Parts Reference.



T-0947A

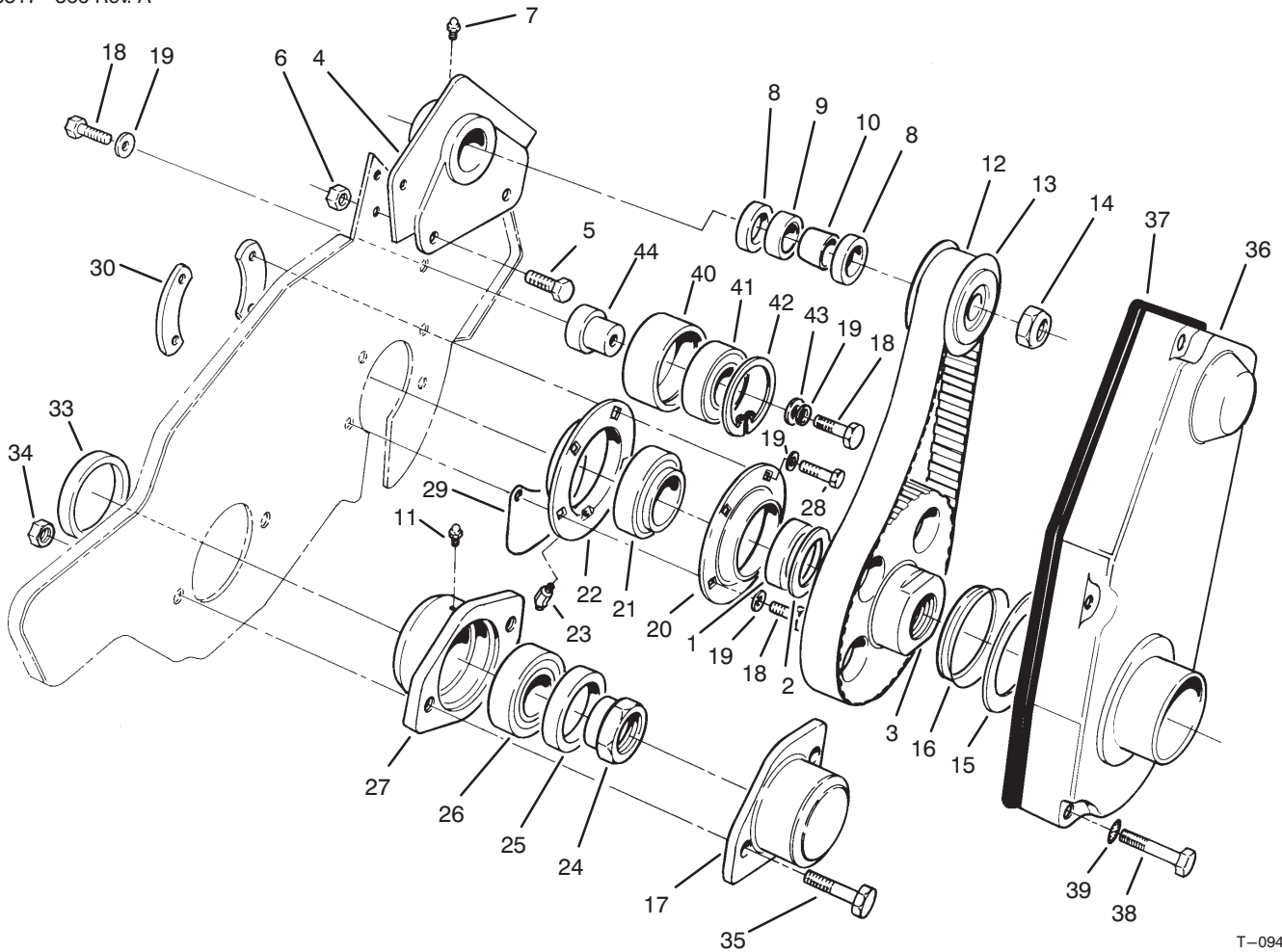
## REEL ASSEMBLY

Ref. No.	Part No.	Description	No. Used
1	93-6069	Grass Shield Assembly (Incl. Ref. #9 & 10)	1
2	65-6450	Bracket - Shield LH	1
3	65-6460	Bracket - Shield RH	1
4	321-3	Screw - Cap Hex. Hd.	4
5	3256-22	Washer - Flat	6
6	3296-42	Nut - Lock	4
7	36-7260	Bar - Cutoff	1
8	32144-73	Screw - Self Tapping	5
‡9	62-5070	Decal - Shield (English)	1
‡10	93-6098	Decal - Service (English)	1

Ref. No.	Part No.	Description	No. Used
11	93-6097	Reel Assembly - 11 Blade	1
*	93-6087	Reel Assembly - 8 Blade	1
12	93-6053	Bedbar	1
13	57-4910	Screw - Special	13
14	52-2900	Washer - Poly	4
15	65-6270	Bolt - Bedbar	2
16	32128-48	Nut - Flange	2
19	93-4264	Bedknife - 1/8	1
*	93-4263	Bedknife - Tournament	1
*	93-4262	Bedknife - Micro	1
20	52-2860	Washer	4

\*Not Illustrated

‡For different language versions of this part, see International Parts Reference.



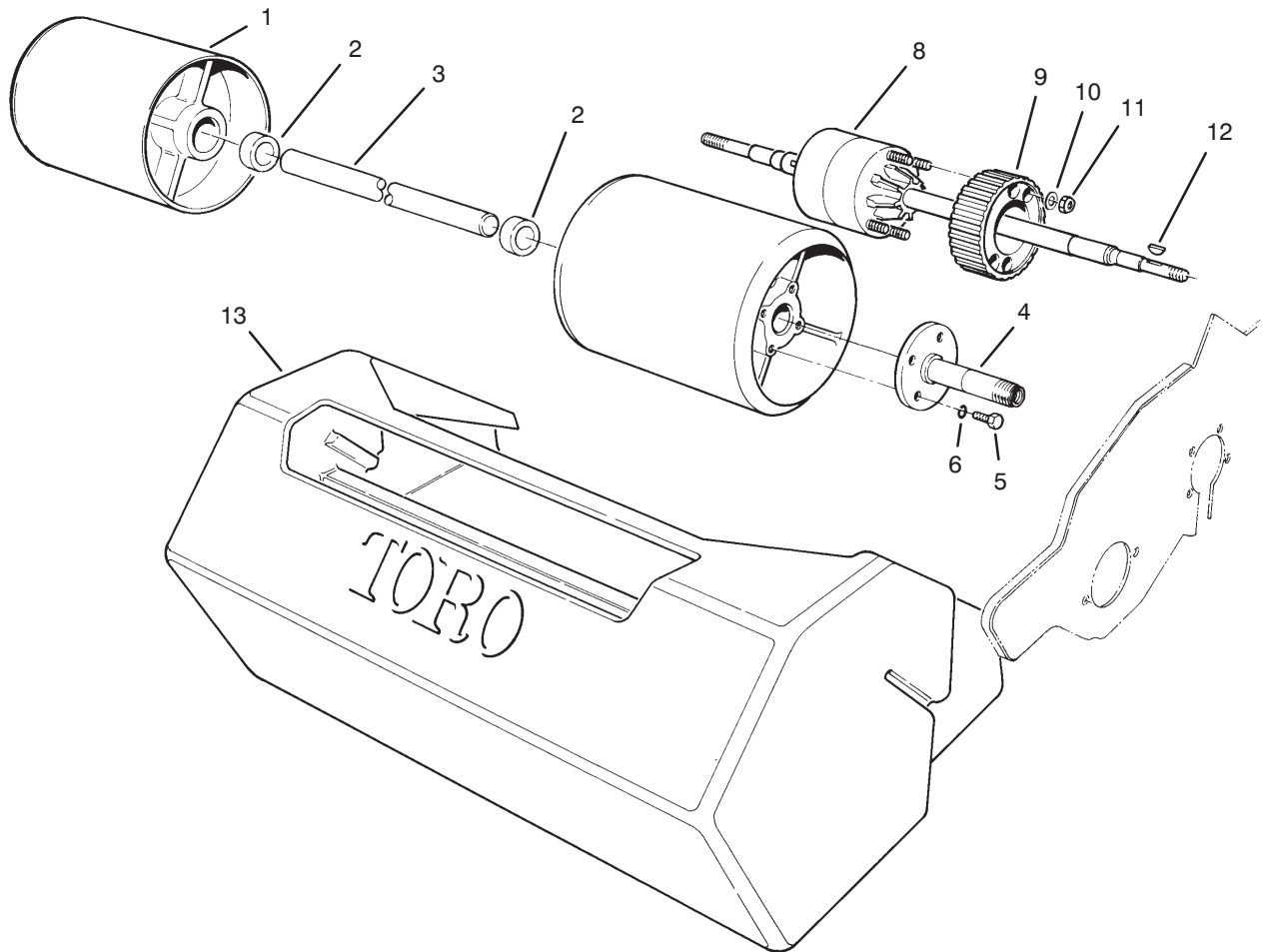
T-0945

## DRUM DRIVE ASSEMBLY

Ref. No.	Part No.	Description	No. Used
1	88-7530	Spacer	2
2	88-7540	Washer - Backup	2
3	88-7560	Pulley - LH	1
*	88-7550	Pulley - RH	1
4	88-7470	Housing - LH	1
*	88-7490	Housing - RH	1
5	322-5	Screw - Cap Hex. Hd.	4
6	3296-29	Nut - Lock	4
7	302-19	Fitting - Grease	2
8	253-160	Seal	4
9	251-338	Bearing	2
10	86-7130	Spacer	2
11	302-5	Fitting - Grease	1
12	65-6210	Belt	2
13	65-6660	Pulley	2
14	3296-57	Nut	2
15	65-6570	Washer	2
16	253-161	Seal - V-Ring	2
17	65-6220	Cover - Bearing	1
18	322-3	Screw - Cap Hex. Hd.	10
19	3253-4	Washer - Lock	10
20	65-6590	Flangette	2
21	88-7880	Bearing	2

Ref. No.	Part No.	Description	No. Used
22	65-8710	Flangette (Incl. Ref. #23)	2
23	302-11	Fitting - Grease	2
24	92-7302	Nut - Bearing Lock	1
25	253-163	Seal	1
26	251-342	Bearing	1
27	65-8640	Housing - Bearing	1
29	65-8720	Closure	2
30	65-8730	Clamp - Bearing	4
33	253-96	Seal	1
34	3296-39	Nut - Lock	2
35	323-7	Screw - Cap Hex. Hd.	2
36	88-7680	Cover - Drum Belt LH	1
*	88-7690	Cover - Drum Belt RH	1
37	88-7810	Seal Strip - Drum Cover	2
38	321-11	Screw - Cap Hex. Hd.	8
39	3254-8	Washer - Lock I.T.L.W.	8
40	88-7850	Idler Pulley Assembly (Incl. Ref. #41-45 & 47)	2
41	38-7820	Bearing - Ball	2
42	32120-42	Ring - Snap	2
43	88-7200	Washer - Flat	2
44	88-7190	Spacer - Pulley Support	2

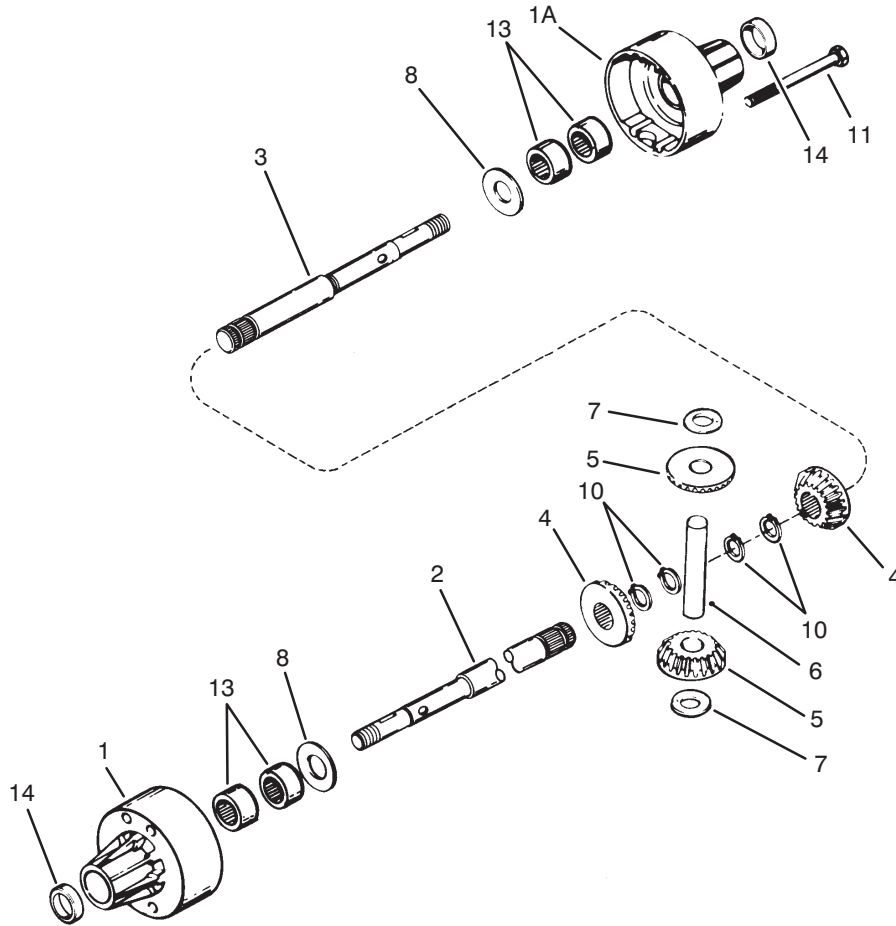
\*Not Illustrated



T-0944A

## DRUM AND BASKET ASSEMBLY

Ref. No.	Part No.	Description	No. Used	Ref. No.	Part No.	Description	No. Used
1	88-7280	Drum Assembly	2	8	93-6055	Differential Assembly Peerless Model 100-111	1
2	253-84	Seal-Oil	2	9	65-9120	Pulley - Differential	1
3	88-7640	Shaft - Drum	1	10	3256-23	Washer - Flat	4
4	88-7520	Shaft - Drum LH	1	11	3296-29	Nut - Lock	4
*	88-7510	Shaft - Drum RH	1	12	3257-32	Key	2
5	322-5	Screw - Cap Hex. Hd.	8	13	65-7230	Basket - Grass	1
6	3253-4	Washer - Lock	8				

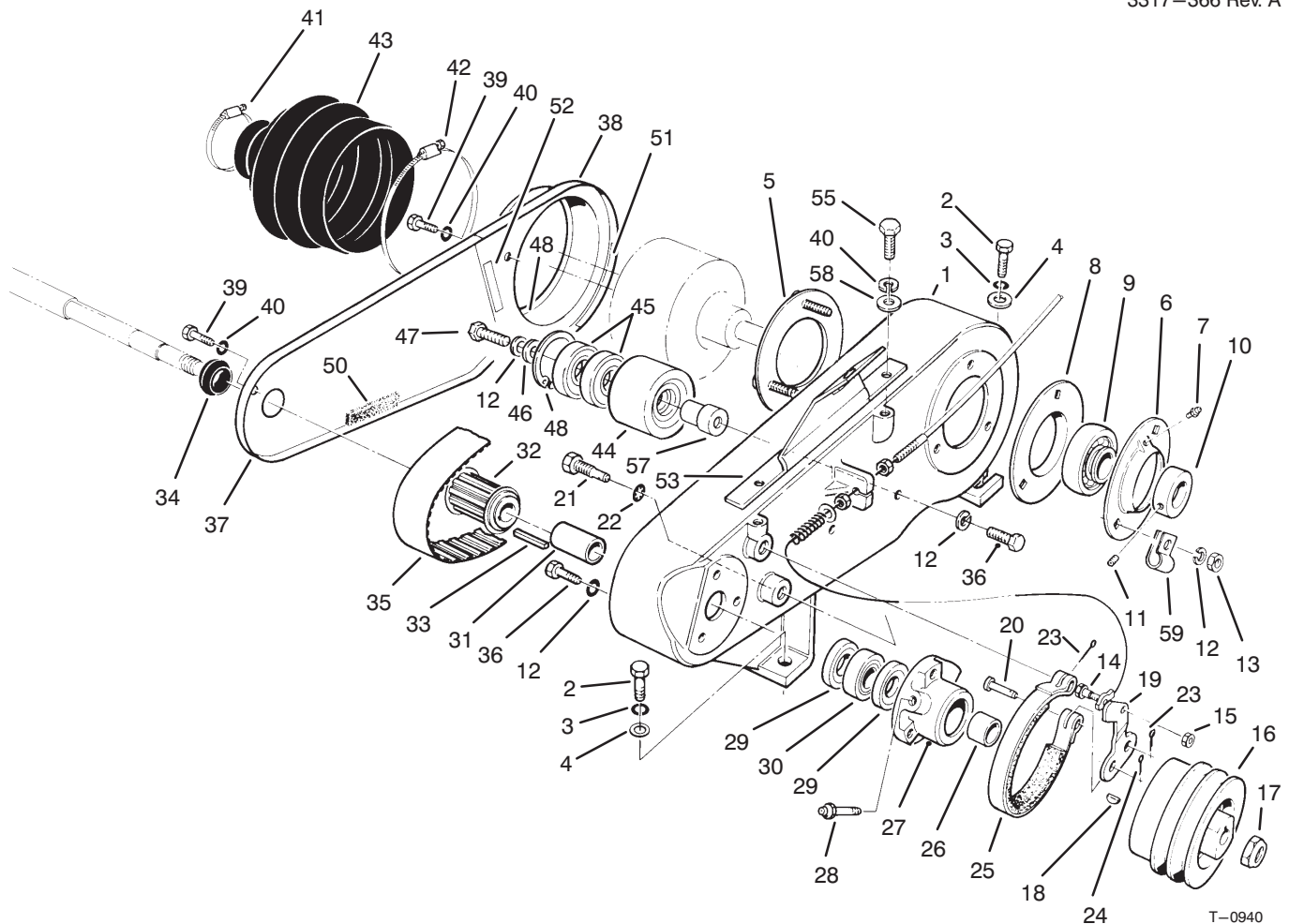


T-1571

## DIFFERENTIAL ASSEMBLY PEERLESS MODEL NO. 100-111

Ref. No.	Part No.	Description	No. Used
1	774881	Housing Differential Carrier (Incl. Ref. #13 & 14)	1
1A	774882	Housing Differential Carrier (Incl. Ref. #13 & 14)	1
2	6045-P1	Axle (20-17/32" Long)	1
3	6046-P1	Axle (6-19/32" Long)	1
4	778221	Gear Bevel	2
5	778068	Gear Pinion	2

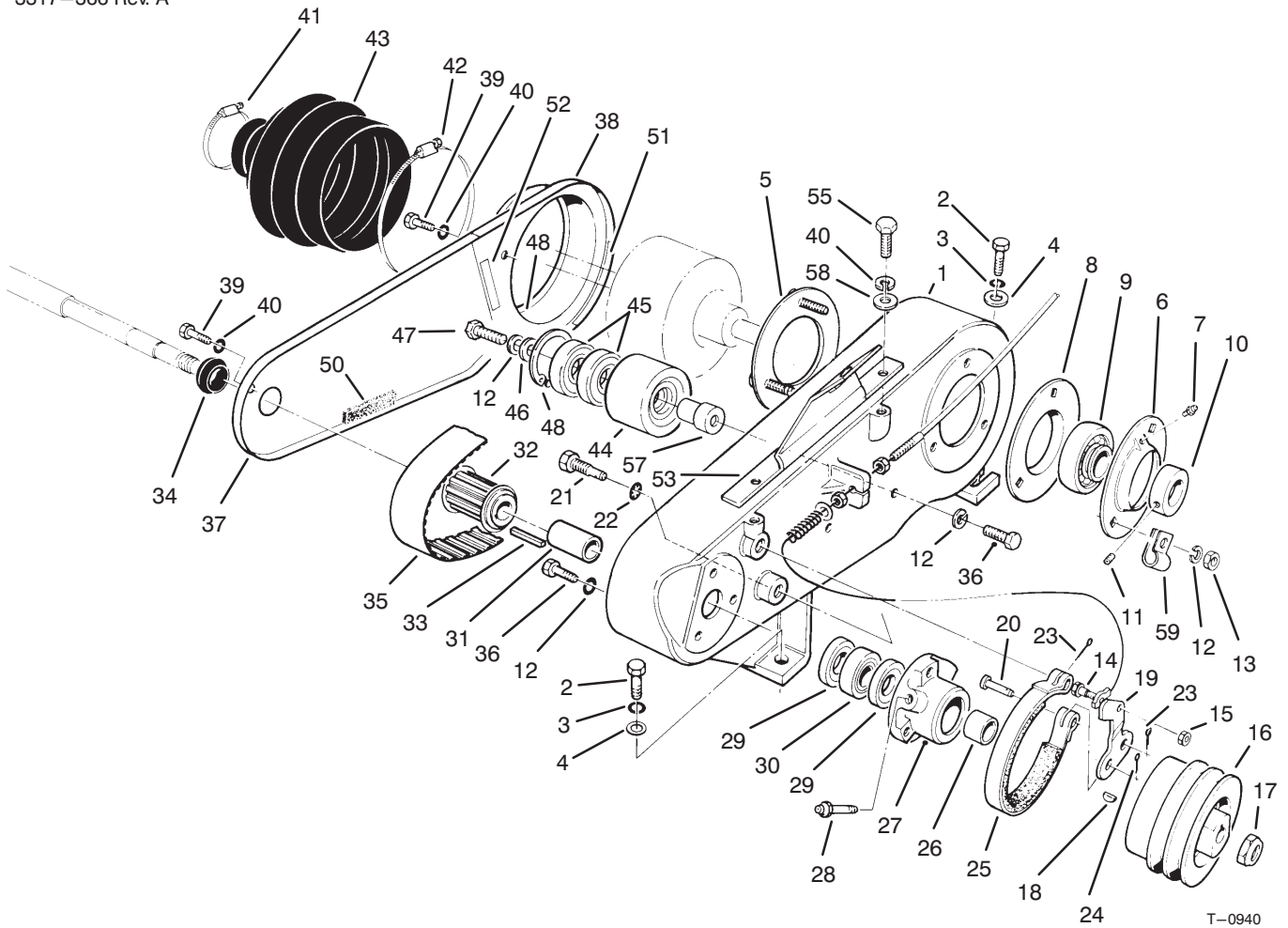
Ref. No.	Part No.	Description	No. Used
6	786040	Pin Drive	1
7	780096	Washer Thrust	2
8	780001	Washer	2
10	792125	Ring - Retaining (Pkg. of 2)	4
11	792093	Screw Flanged Hex Hd.	4
13	780140	Bearing Needle	4
14	788042	Seal Oil	2



T-0940

## COUNTERSHAFT ASSEMBLY

Ref. No.	Part No.	Description	No. Used	Ref. No.	Part No.	Description	No. Used
1	88-7230	Housing - Countershaft	1	25	65-8700	Band - Brake	1
2	323-5	Screw - Cap Hex. Hd.	4	26	86-7130	Spacer - Short	1
3	3253-21	Washer - Lock	4	27	65-6760	Housing - Bearing	1
4	3256-24	Washer - Flat	4	28	302-64	Fitting - Grease	1
5	65-6720	Plate - Screw	1	29	253-160	Seal	2
6	65-6700	Flangette	1	30	251-338	Bearing	1
7	302-55	Fitting - Grease	1	31	86-7140	Spacer - Long	1
8	65-6710	Flangette	1	32	65-8910	Pulley - Countershaft	1
9	251-343	Bearing (Incl. Ref. #10 & 11)	1	33	65-6850	Key	1
10		Collar - Locking	1	34	88-7710	Seal - Countershaft	1
11		Screw - Set	2	35	65-9080	Belt	1
12	3253-4	Washer - Lock	8	36	322-5	Screw - Cap Hex. Hd.	4
13	3218-2	Nut - Jam	3	37	88-7240	Cover - Box Front	1
14	11-9030	Bolt - Shoulder	1	38	88-7250	Cover - Box Rear	1
15	3296-42	Nut - Lock	1	39	321-2	Screw - Cap Hex. Hd.	3
16	92-9212	Pulley - Input Shaft	1	40	3253-3	Washer - Lock	5
17	3296-57	Nut - Lock	1	41	2412-139	Clamp - Hose	1
18	3257-32	Key	1	42	2412-140	Clamp - Hose	1
19	65-8610	Lever - Brake	1	43	65-6800	Boot - Differential	1
20	283-75	Pin - Clevis	1	44	88-7870	Idler Pulley Assembly (Incl. Ref. #12, 45-48 & 57)	1
21	65-6810	Support - Brake	2	45	38-7820	Bearing - Ball	2
22	3254-6	Washer - Lock I.T.L.W.	2	46	88-7200	Washer - Flat	1
23	3272-6	Pin - Cotter	2	47	322-3	Screw - Cap Hex. Hd.	1
24	3272-8	Pin - Cotter	1	48	32120-42	Ring - Retaining	1
				50	65-6901	Strip - Cover Seal	1

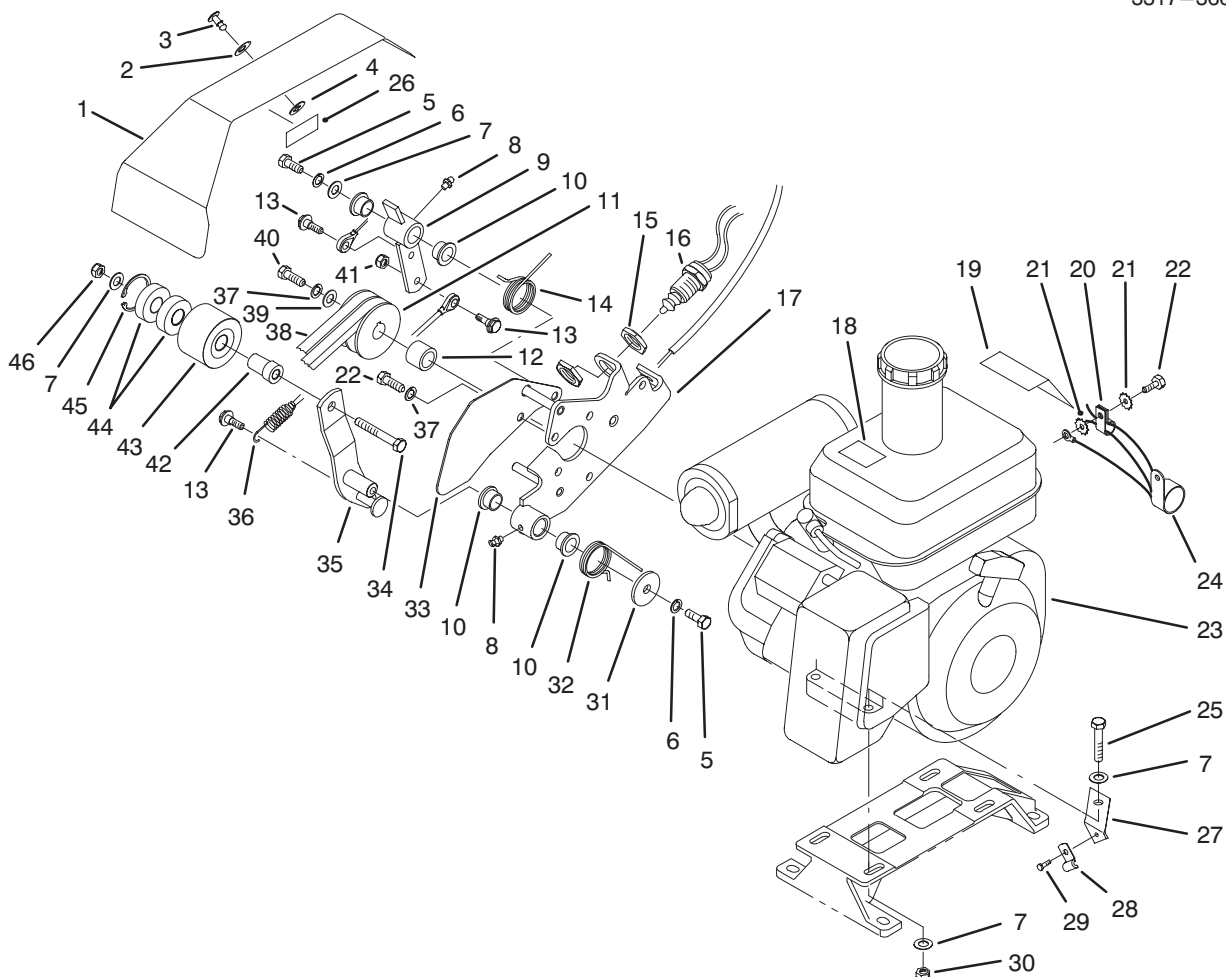


T-0940

## COUNTERSHAFT ASSEMBLY (Continued)

Ref. No.	Part No.	Description	No. Used
51	65-6902	Strip - Cover Seal	1
52	65-6903	Strip - Cover Seal	1
53	93-1448	Cover Bracket	1
55	321-3	Screw - Cap Hex. Hd.	2

Ref. No.	Part No.	Description	No. Used
57	88-7380	Spacer - Pulley Support	1
58	3256-22	Washer - Flat	2
59	88-7970	Clip	1

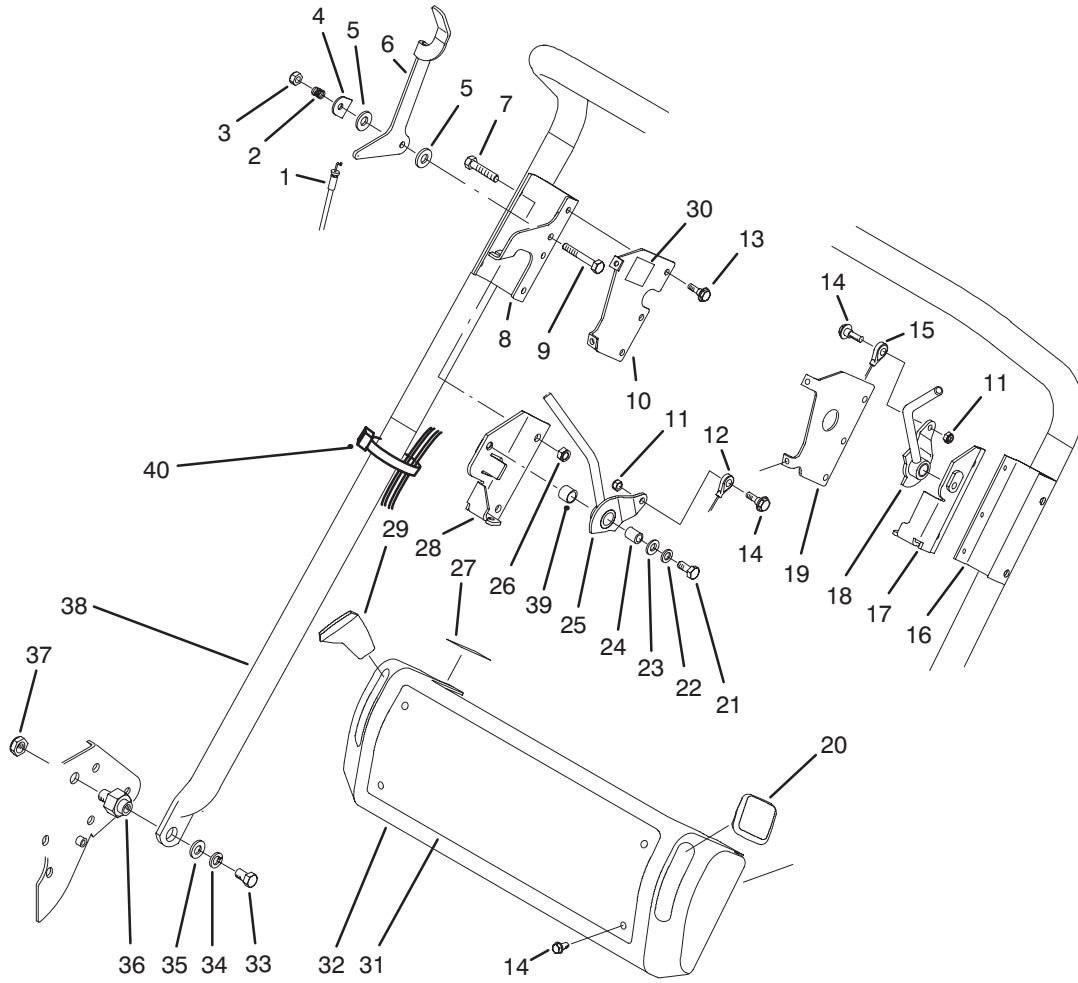


T-1996

## ENGINE AND BELLCRANK ASSEMBLY

Ref. No.	Part No.	Description	No. Used	Ref. No.	Part No.	Description	No. Used
1	93-6045	Cover – Bellcrank	1	25	322-9	Screw – Cap Hex. Hd.	4
2	3256-2	Washer – Flat	1	‡26	67-5360	Decal – Danger (English)	1
3	93-6074	Stud	1	27	88-7960	Bracket – Throttle Cable	1
4	93-6073	Retainer	1	28	2412-21	Clip – Cable	1
5	323-4	Screw – Cap Hex. Hd.	2	29	32144-73	Screw – Hex. Washer Hd. Thread Form	1
6	3253-21	Washer – Spring Lock	2	30	3296-29	Nut – Lock	4
7	3256-56	Washer – Flat	10	31	93-6099	Washer	1
8	302-5	Fitting – Grease	2	32	93-6012	Spring – Torsion, Clutch	1
9	93-6014	Lever	1	33	93-6013	Shield – Belt	1
10	65-8770	Bushing	4	34	323-11	Screw – Cap Hex. Hd.	1
11	92-9216	Pulley – Input Drive	1	35	93-6003	Lever – Clutch	1
12	65-8260	Spacer – Engine Shaft	1	36	93-6002	Cable Assembly – Link	1
13	11-9030	Bolt – Shoulder	3	37	3253-4	Washer – Spring Lock	6
14	93-6011	Spring – Torsion	1	38	92-9218	V-Belt, Matched Set	1
15	3218-20	Nut – Jam	2	39	65-8270	Washer	1
16	87-5490	Switch (Incl. Ref. #15)	1	40	48-9460	Screw – Cap Hex. Hd.	1
17	93-6015	Bracket – Clutch	1	41	3296-42	Nut – Lock	3
‡18	63-8440	Decal – Hot (English)	1	42	88-7350	Spacer – Pulley Support	1
19	93-7348	Decal – Danger, Fuel	1	43	88-7890	Idler Pulley Assembly (Incl. Ref. #42, 44 & 45)	1
20	2412-93	Clamp – R	1	44	38-7820	Bearing – Ball	2
21	3255-9	Washer – External Lock	1	45	32120-42	Ring – Retaining	1
22	48-7700	Screw – Cap Hex. Hd.	6	46	3296-39	Nut – Lock	1
23	93-6088	Engine Assembly Kawasaki Model FE120G-AS00 (Incl. Ref. #18 & 19)	1	*	93-9001	Bellcrank Cover Assembly (Incl. Ref. #1 & 26)	1
24	93-6034	Harness – Wire, Module	1				

‡For different language versions of this part, see International Parts Reference.



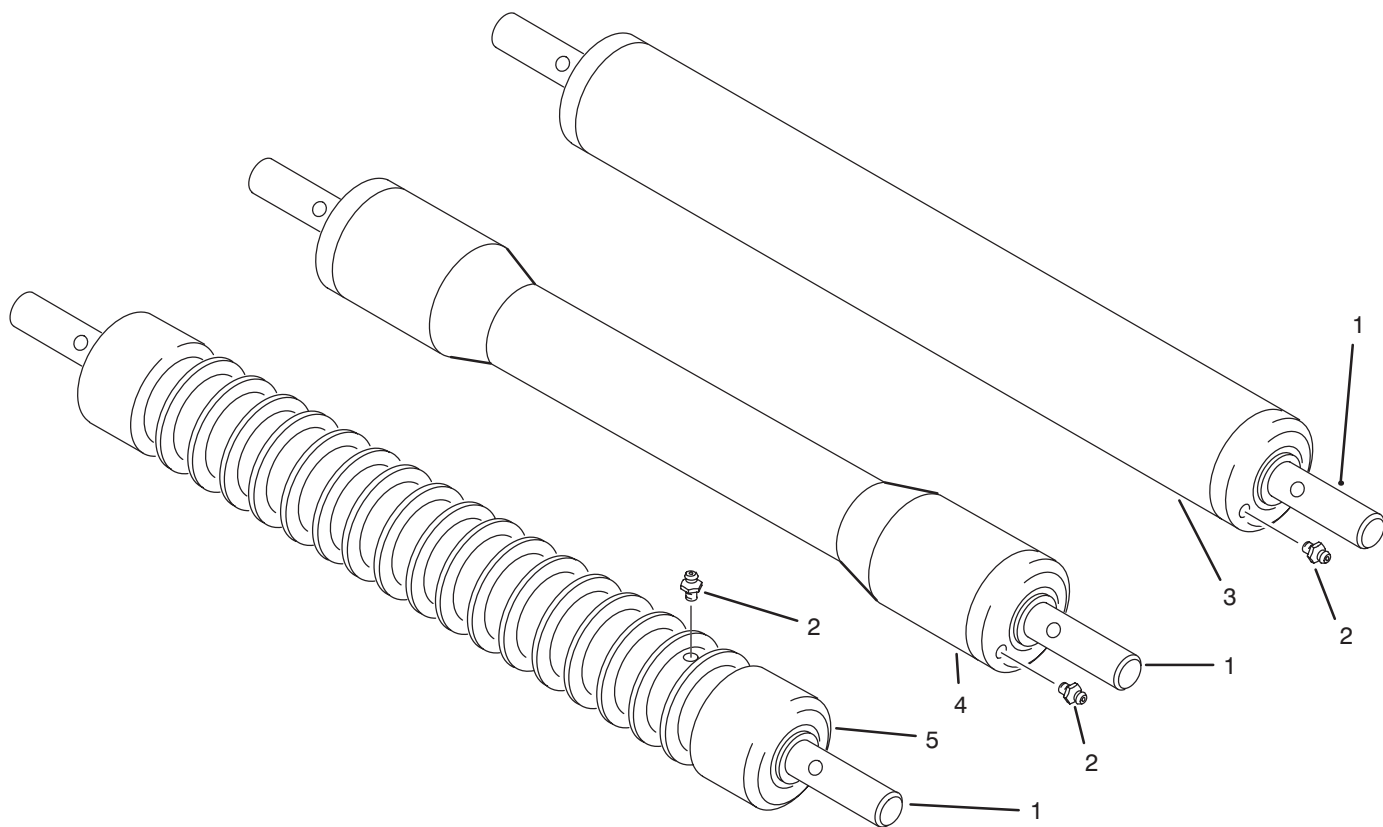
T-1997

## HANDLE ASSEMBLY

Ref. No.	Part No.	Description	No. Used
1	93-9023	Cable - Throttle	1
2	3-5787	Spring	1
3	3296-56	Nut - Lock	1
4	93-6016	Washer - Retaining	1
5	66-2921	Washer - Friction	2
6	93-6017	Lever - Throttle	1
7	322-9	Screw - Cap Hex. Hd.	4
8	93-6018	Bracket - Skid, Clutch	1
9	321-8	Screw - Cap Hex. Hd.	1
10	93-6046	Bracket - Console RH	1
11	3296-42	Nut - Lock	2
12	93-6081	Cable - Clutch	1
13	93-6083	Screw	10
14	11-9030	Bolt - Shoulder	2
15	93-6082	Cable - Brake	1
16	93-6021	Bracket - Skid, Brake	1
17	93-6022	Bracket - Brake	1
18	93-6058	Lever - Brake	1
19	93-6047	Bracket - Console LH	1
20	65-8971	Knob - Red	1
21	3210-7	Screw - Cap Hex. Hd.	2

Ref. No.	Part No.	Description	No. Used
22	3253-4	Washer - Spring Lock	2
23	3256-23	Washer - Flat	2
24	88-7450	Spacer	2
25	93-6057	Lever - Clutch	1
26	3296-29	Nut - Lock	4
27	93-6085	Decal - Throttle	1
28	93-6019	Bracket - Clutch	1
29	65-8970	Knob - Black	1
30	66-2000	Decal - Noise	1
‡31	93-6084	Decal - Control Panel (English)	1
32	93-6036	Console	1
33	323-34	Screw - Cap Hex. Hd.	2
34	3253-21	Washer - Spring Lock	2
35	3256-24	Washer - Flat	2
36	93-6000	Pin - Handle Pivot	2
37	3296-28	Nut - Lock Insert	2
38	93-6001	Handle	1
39	256-206	Bushing	2
40	3290-378	Tie - Cable	2

‡For different language versions of this part, see International Parts Reference.



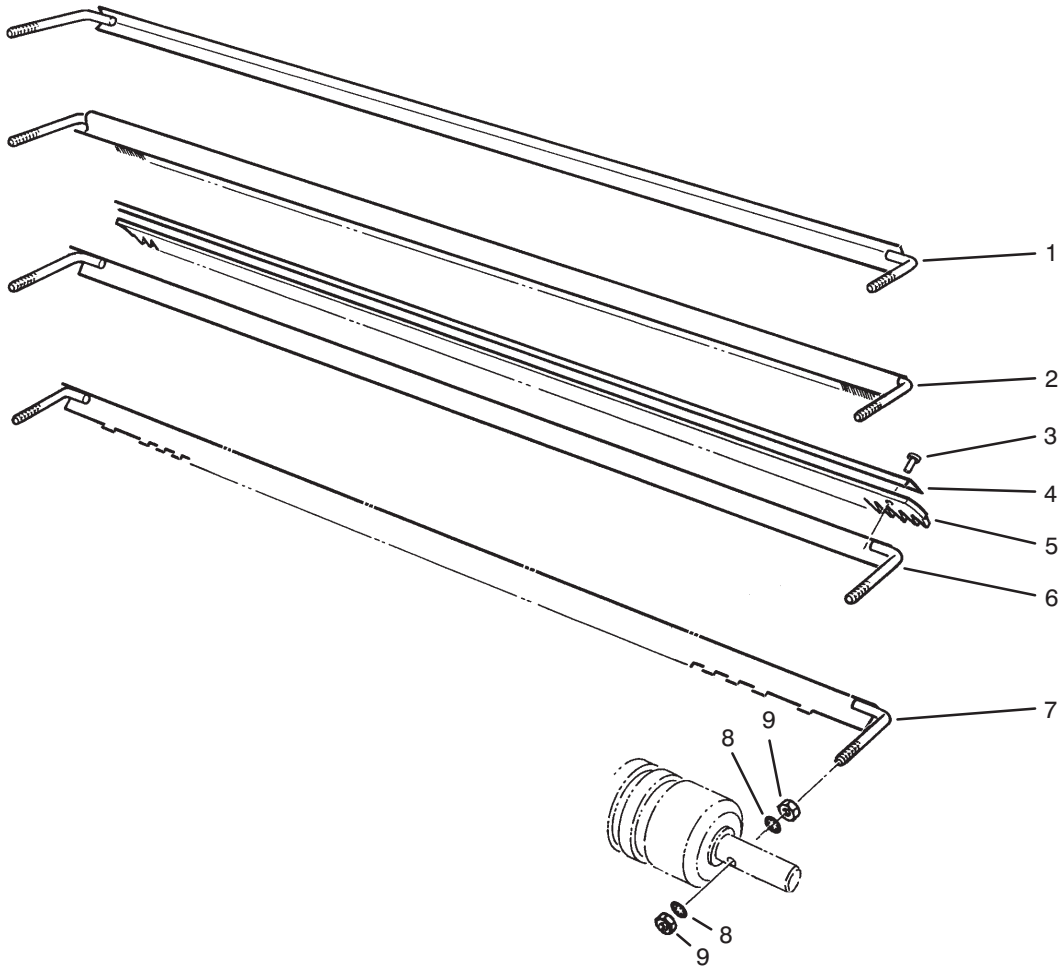
T-0956

### CUTTING UNIT ROLLER OPTIONS

Ref. No.	Part No.	Description	No. Used
1	52-3180	Bearing – Roller	2
2	302-5	Fitting – Grease	2
3	52-3170	Assembly – Roller (Incl. Ref. #1 & 2)	1

Ref. No.	Part No.	Description	No. Used
4	52-3590	Assembly – Swaged Roller (Incl. Ref. #1 & 2)	1
5	71-1550	Assembly – Wiehle Roller Cast Iron (Incl. Ref. #1 & 2)	1
*	04118	Wiehle Roller (Carton of 1)	1

\*Not Illustrated



T-1998

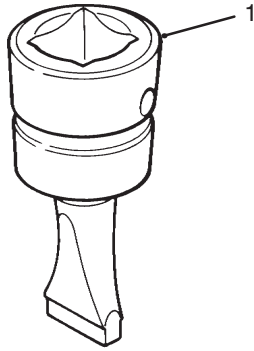
## SCRAPER OPTIONS

Ref. No.	Part No.	Description	No. Used
1	65-8360	Scraper - Smooth	1
2	33-1000	Scraper - Brush	1
3	3295-15	Rivet	11
4	8-2520	Support - Comb	1
5	8-2530	Comb - Urethane	1

Ref. No.	Part No.	Description	No. Used
6	11-0070	Assembly - Comb, Scraper (Incl. Ref. #3-5)	1
7	65-8340	Scraper - Wiehle Roller	1
8	3254-8	Washer - Lock I.T.L.W.	4
9	3219-1	Nut-Hex	4

# SPECIAL TOOLS

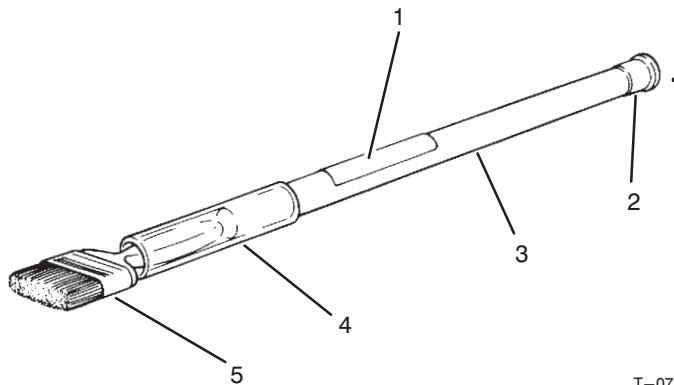
## BEDKNIFE SCREW TOOL NO. \*TOR510880



T-0729

Ref. No.	Part No.	Description	No. Used
1	51-0880	Tool – Bedknife Screw	1

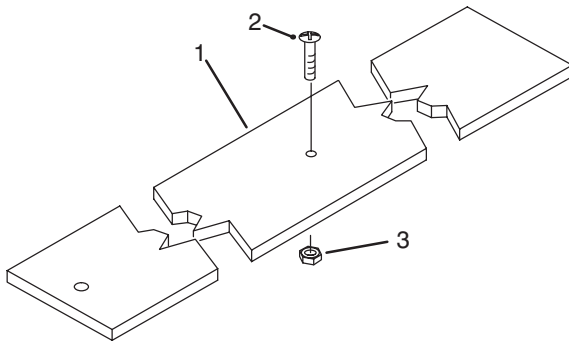
## BACKLAPPING BRUSH ASSEMBLY NO. \*TOR299100



T-0731

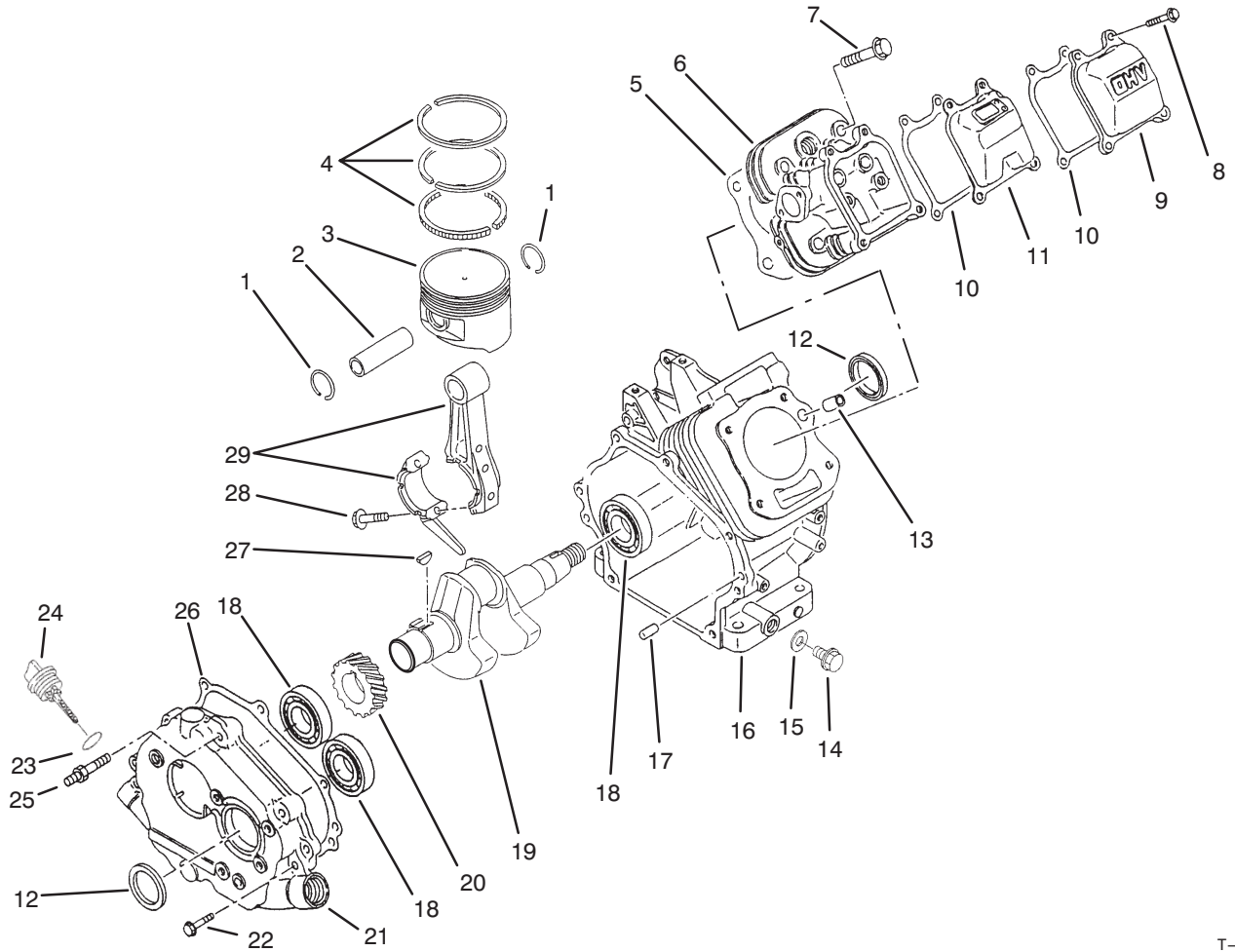
Ref. No.	Part No.	Description	No. Used
1	12-9140	Decal	1
2	2410-18	Plug	1
3	29-9080	Handle	1
4	29-9090	Hose – Handle	1
5	36-4310	Brush	1

## HEIGHT-OF-CUT BAR ASSEMBLY NO. 13-8199



T-1763

Ref. No.	Part No.	Description	No. Used
1	65-8320	Bar	1
2	32122-22	Screw – Phill. Truss Hd.	1
3	3219-14	Nut	1

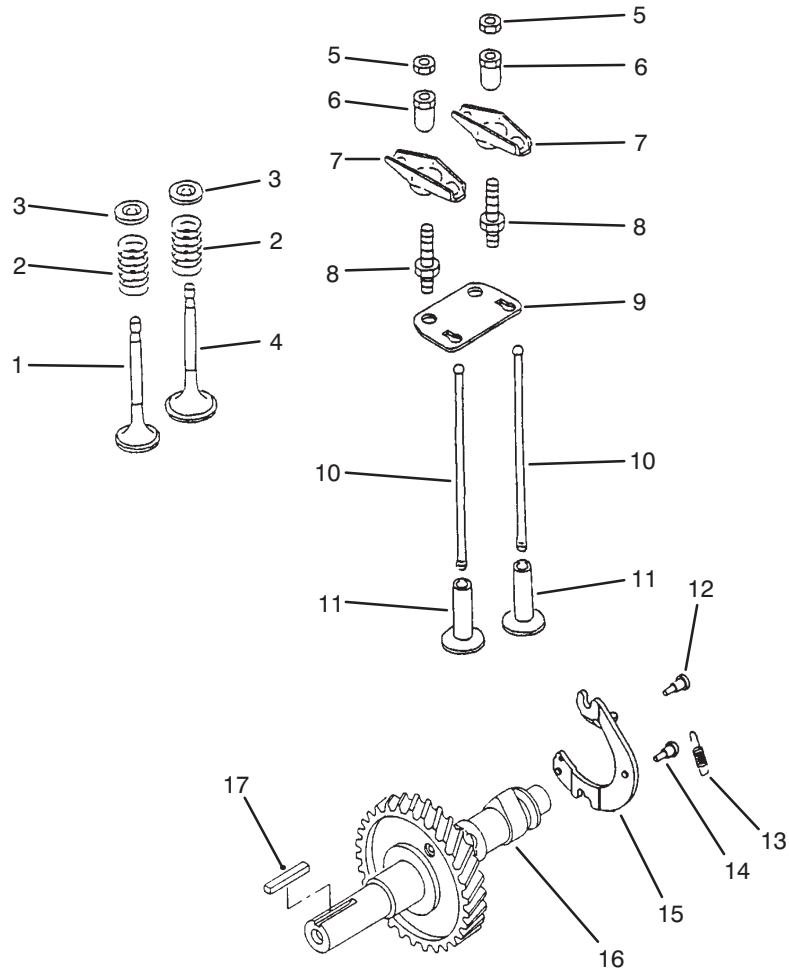


T-1623

## ENGINE CRANKCASE ASSEMBLY

Ref. No.	Part No.	Description	No. Used
1	93-8500	Ring - Retaining	2
2	93-8501	Pin - Piston	1
3	93-8502	Piston	1
4	93-8503	Piston Ring Set	1
5	93-8504	Gasket - Head	1
6	93-8505	Head - Cylinder	1
7	93-8506	Bolt - Flanged	4
8	93-8507	Bolt - Flanged	4
9	93-8508	Case - Rocker	1
10	93-8509	Gasket - Rocker	2
11	93-8510	Breather	1
12	93-8511	Seal - Oil	2
13	93-8512	Pin	2
14	93-8513	Plug - Drain	2
15	93-8514	Gasket - Drain Plug	2
16	93-8515	Crankcase	1

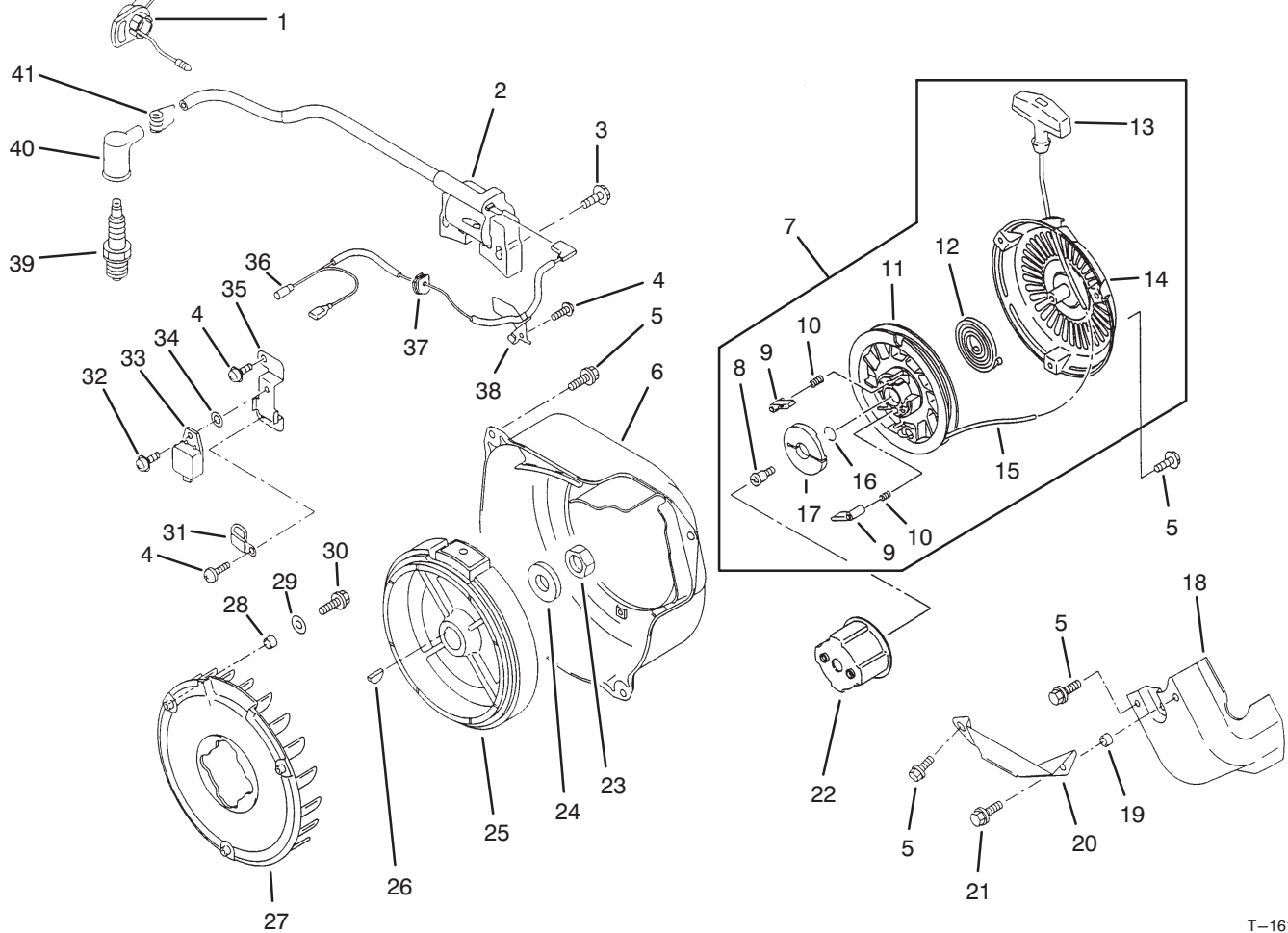
Ref. No.	Part No.	Description	No. Used
17	93-8516	Pin	2
18	93-8517	Bearing - Ball	3
19	93-8518	Crankshaft Assembly (Incl. Ref. #20 & 27)	1
20	93-8519	Gear - Helical	1
21	93-8520	Cover - Crankcase	1
22	93-8521	Bolt - Flanged	7
23	93-8522	Seal - O-Ring	2
24	93-8523	Cap - Oil Filler	2
25	93-8524	Stud	1
26	93-8525	Gasket - Crankcase	1
27	93-8526	Key	1
28	93-8527	Bolt - Rod	2
29	93-8528	Connecting Rod Assy. (Incl. Ref. #29)	1



T-1624

## ENGINE CAMSHAFT & VALVES ASSEMBLY

Ref. No.	Part No.	Description	No. Used	Ref. No.	Part No.	Description	No. Used
1	93-8529	Valve - Exhaust	1	10	93-8538	Rod - Push	2
2	93-8530	Spring - Valve	2	11	93-8539	Tappet	2
3	93-8531	Retainer - Spring	2	12	93-8540	Pin	2
4	93-8532	Valve - Intake	1	13	93-8541	Spring	1
5	93-8533	Nut	2	14	93-8542	Pin	1
6	93-8534	Nut	2	15	93-8543	Decompressor	1
7	93-8535	Arm - Rocker	2	16	93-8544	Camshaft Assembly (Incl. Ref. #12-15)	1
8	93-8536	Bolt	2	17	93-8545	Key	1
9	93-8537	Guide	1				

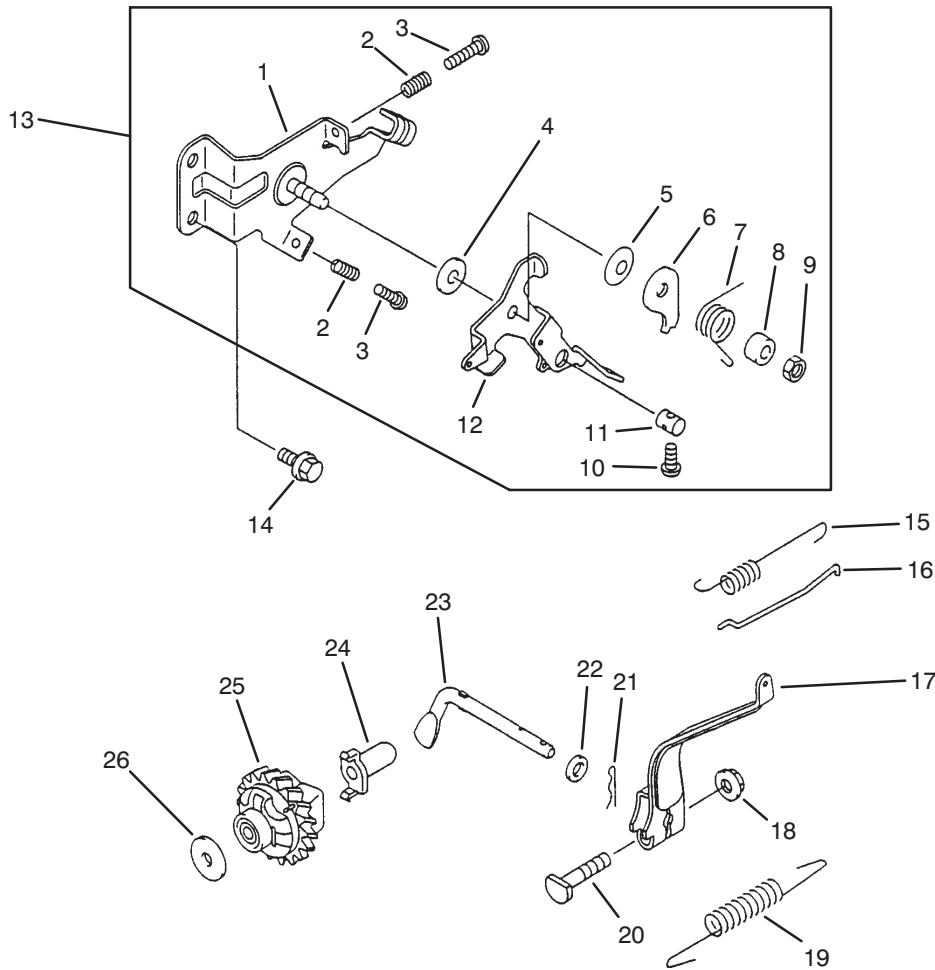


T-1617

## ENGINE IGNITION ASSEMBLY

Ref. No.	Part No.	Description	No. Used
1	93-8546	Switch	1
2	93-8547	Coil - Ignition	1
3	93-8548	Bolt - Flanged	2
4	93-8549	Screw	3
5	93-8550	Bolt - Flanged	10
6	93-8551	Housing - Fan	1
7	93-8552	Recoil Starter Assy. (Incl. Ref. #8-17)	1
8	93-8553	Screw	1
9	93-8554	Pawl - Recoil	2
10	93-8555	Spring - Return	2
11	93-8556	Reel - Recoil	1
12	93-8557	Spring	1
13	93-8558	Grip	1
14	93-8559	Case - Recoil	1
15	93-8560	Rope	1
16	93-8561	Ring - Retaining	1
17	93-8562	Guide - Pawl	1
18	93-8563	Shroud - Engine	1
19	93-8564	Collar	1
20	93-8565	Shroud - Engine	1
21	93-8566	Bolt - Flanged	1

Ref. No.	Part No.	Description	No. Used
22	93-8567	Pulley - Recoil	1
23	93-8568	Nut	1
24	93-8569	Washer	1
25	93-8570	Flywheel	1
26	93-8571	Key	1
27	93-8572	Fan	1
28	93-8573	Collar	3
29	93-8574	Washer	3
30	93-8575	Bolt - Flanged	3
31	93-8576	Clamp	1
32	93-8577	Screw - Pan Hd.	1
33	93-8578	Igniter	1
34	93-8579	Washer	1
35	93-8580	Bracket	1
36	93-8581	Lead - Wire	1
37	93-8582	Grommet	1
38	93-8583	Clamp	1
39	93-8584	Plug - Spark (NGK BP5ES)	1
40	93-8585	Cap - Spark Plug	1
41	93-8586	Terminal	1

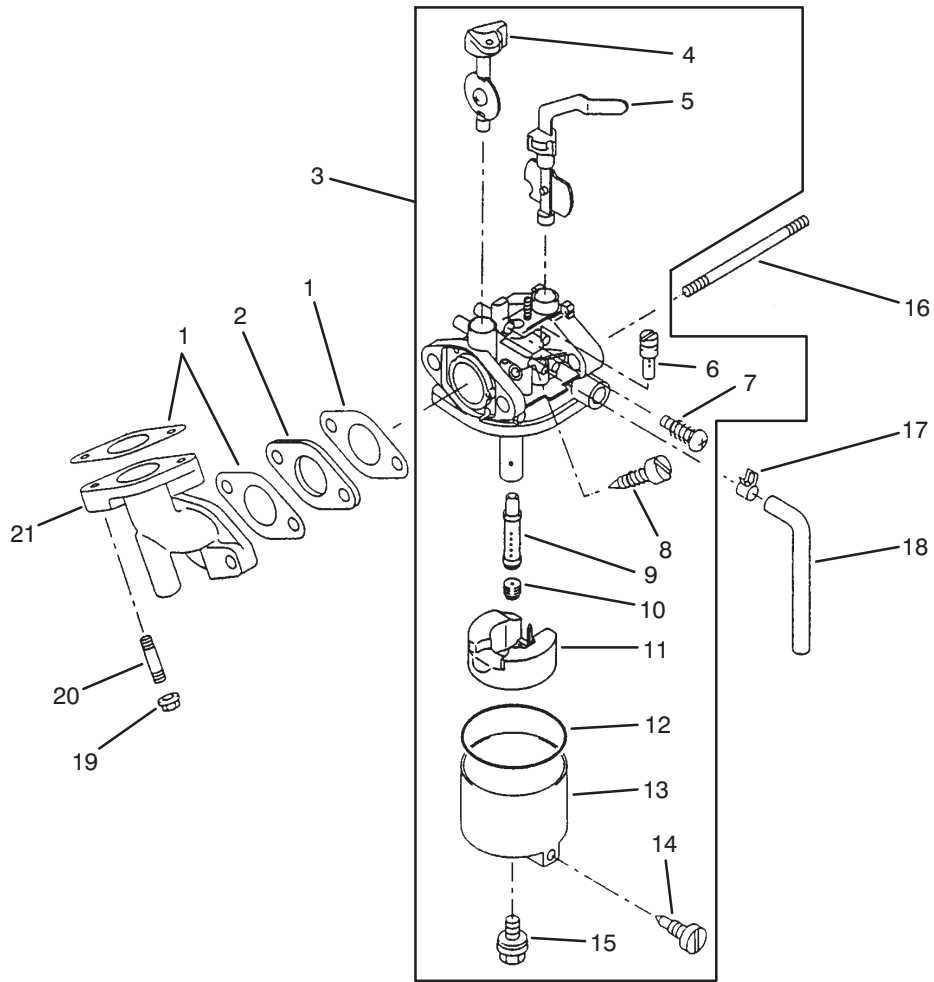


T-1618

## ENGINE GOVERNOR ASSEMBLY

Ref. No.	Part No.	Description	No. Used
1	93-8587	Panel - Control	1
2	93-8588	Spring	2
3	93-8589	Bolt	2
4	93-8590	Washer	1
5	93-8591	Spring	1
6	93-8592	Plate	1
7	93-8593	Spring	1
8	93-8594	Spacer	1
9	93-8595	Nut	1
10	93-8596	Screw - Pan Hd.	1
11	93-8597	Nut	1
12	93-8598	Lever	1
13	93-8599	Control Panel Assy. (Incl. Ref. #1-12)	1

Ref. No.	Part No.	Description	No. Used
14	93-8600	Bolt - Flanged	2
15	93-8601	Spring	1
16	93-8602	Rod - Governor	1
17	93-8603	Arm - Governor	1
18	93-8631	Nut	1
19	93-8605	Spring - Governor	1
20	93-8606	Bolt	1
21	93-8607	Pin - Snap	1
22	93-8608	Washer	1
23	93-8609	Arm - Pivot	1
24	93-8610	Sleeve	1
25	93-8611	Governor Assembly	1
26	93-8612	Washer	1

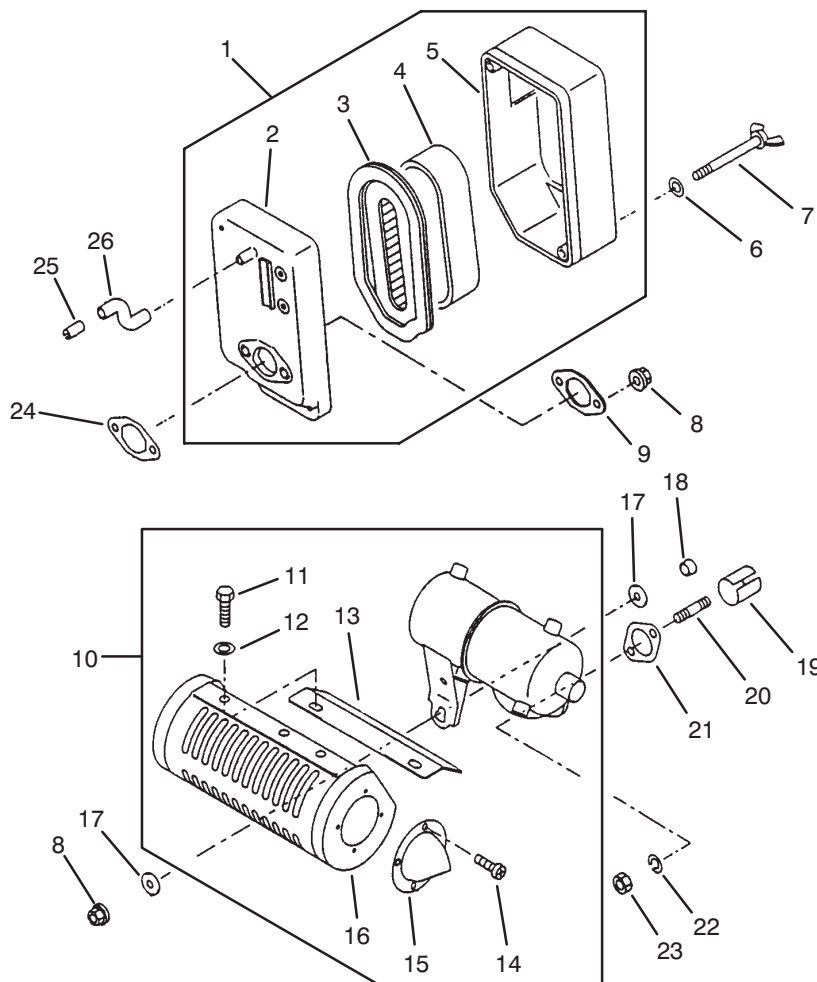


T-1619

## ENGINE CARBURETOR ASSEMBLY

Ref. No.	Part No.	Description	No. Used
1	93-8613	Gasket - Carburetor	3
2	93-8614	Insulator	1
3	93-8615	Carburetor Assembly (Incl. Ref. #4-15)	1
4	93-8616	Valve - Throttle	1
5	93-8617	Valve - Choke	1
6	93-8618	Jet - Pilot #42	1
7	93-8619	Screw Assembly	1
8	93-8620	Screw - Assembly	1
9	93-8621	Nozzle - Main	1
10	93-8622	Jet - Main #70	1
11	93-8623	Float Assembly	1

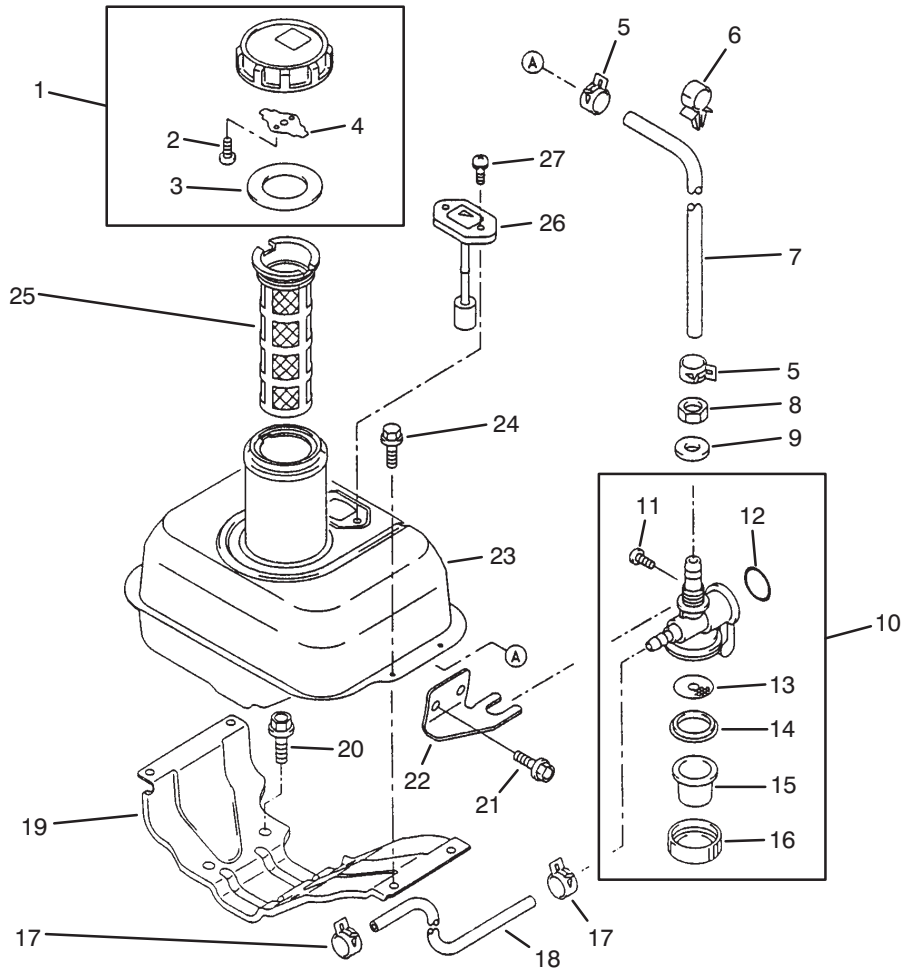
Ref. No.	Part No.	Description	No. Used
12	93-8624	Gasket	1
13	93-8625	Float Chamber Assy. (Incl. Ref. #14)	1
14	93-8626	Screw Assembly	1
15	93-8627	Bolt	1
16	93-8628	Bolt - Stud	2
17	93-8629	Clamp	1
18	93-8630	Tube	1
19	93-8631	Nut	2
20	93-8632	Bolt - Stud	2
21	93-8633	Pipe - Intake	1



T-1620

## ENGINE AIR FILTER & MUFFLER ASSEMBLY

Ref. No.	Part No.	Description	No. Used	Ref. No.	Part No.	Description	No. Used
1	93-8634	Air Filter Assembly (Incl. Ref. #2-5)	1	13	93-8646	Cover - Muffler	1
2	93-8635	Case - Air Filter	1	14	93-8647	Screw	4
3	93-8636	Element - Air Filter	1	15	93-8648	Pipe - Tail	1
4	93-8637	Element - Air Filter	1	16	93-8649	Cover - Muffler	1
5	93-8638	Cap - Air Filter	1	17	93-8650	Washer	2
6	93-8639	Washer	22	18	93-8651	Collar	1
7	93-8640	Bolt	2	19	93-8652	Pipe - Exhaust	1
8	93-8631	Nut	3	20	93-8653	Bolt - Stud	2
9	93-8642	Plate - Air Filter	1	21	93-8654	Gasket - Muffler	1
10	93-8643	Muffler Assembly (Incl. Ref. #11-16)	1	22	93-8655	Washer - Spring	2
11	93-8644	Bolt	4	23	93-8656	Nut - Hex.	2
12	93-8645	Washer	4	24	93-8657	Gasket - Air Filter	1
				25	93-8658	Pipe	1
				26	93-8659	Tube	1

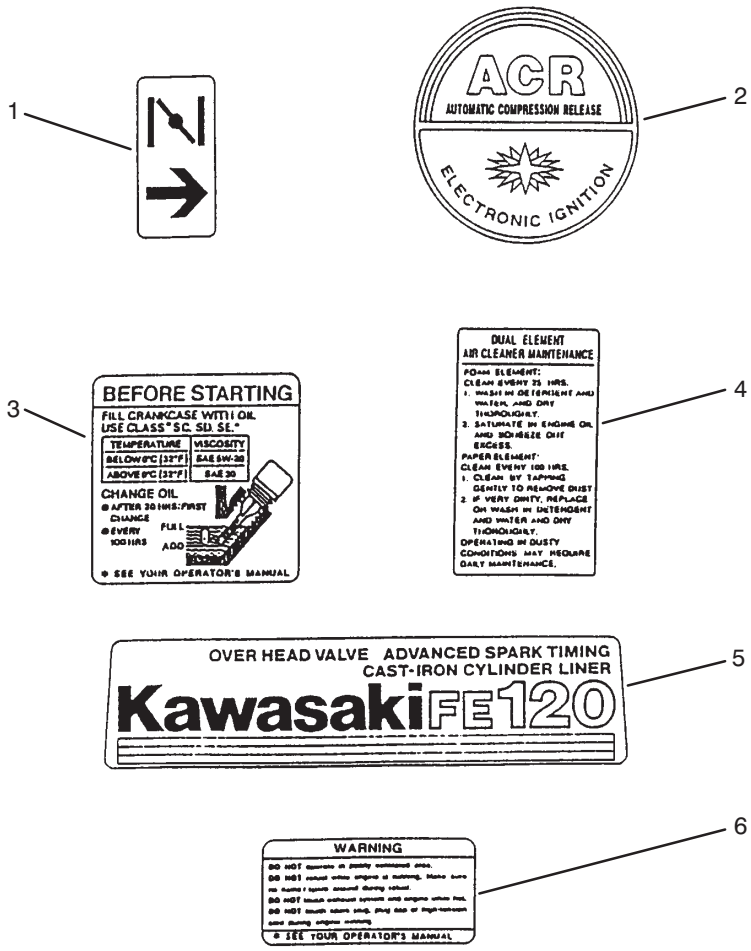


T-1621

## ENGINE FUEL TANK ASSEMBLY

Ref. No.	Part No.	Description	No. Used
1	93-8660	Fuel Cap Assembly (Incl. Ref. #2-4)	1
2	93-8661	Screw	2
3	93-8662	Gasket	1
4	93-8663	Spring	1
5	93-8664	Clamp	2
6	93-8665	Clamp	1
7	93-8666	Tube	1
8	93-8667	Nut	1
9	93-8668	Washer	1
10	93-8669	Tap Assembly (Incl. Ref. #11-16)	1
11	93-8670	Screw	1
12	93-8671	Seal - O-Ring	1
13	93-8672	Filter - Tap	1

Ref. No.	Part No.	Description	No. Used
14	93-8673	Gasket	1
15	93-8674	Cup - Tap	1
16	93-8675	Nut	1
17	93-8676	Clamp	2
18	93-8677	Tube	1
19	93-8678	Bracket - Tank	1
20	93-8679	Bolt - Flanged	4
21	93-8680	Bolt - Flanged	2
22	93-8681	Bracket	1
23	93-8682	Tank - Fuel	1
24	93-8683	Bolt	4
25	93-8684	Filter - Fuel	1
26	93-8685	Gauge - Fuel	1
27	93-8686	Screw	2



T-1622

## ENGINE DECALS ASSEMBLY

Ref. No.	Part No.	Description	No. Used
1	93-8687	Decal - Choke	1
2	93-8688	Decal - Recoil	1
3	93-8689	Decal - Instruction	1

Ref. No.	Part No.	Description	No. Used
4	93-8690	Decal - Maintenance	1
5	93-8691	Decal - Model	1
6	93-8692	Decal - Warning	1

# INTERNATIONAL PARTS REFERENCE

## EUROPEAN PARTS

DESCRIPTION	LOCATION	PART NUMBER	
		ENGLISH	EUROPEAN
Decal Danger	Engine	88-7620	92-4810
Decal Danger	Bellcrank Cover	67-5360	93-7273
Decal Reel Engagement	Reel Drive Cover	65-7660	92-4814
Decal Control Panel	Control Panel	93-6084	93-7347
Decal Warning	Frame	55-4300	93-7347
Decal Warning	Grass Shield	62-5070	93-8064
Decal Warning	Side Plate	88-8950	93-9356
Decal Hot Surface	Engine	63-8440	93-8069
Decal Service	Grass Shield	93-6098	FRENCH 93-9391 GERMAN 93-9393 SPANISH 93-9392 FINNISH 93-7287 DANISH 93-7285 DUTCH 93-7286 ITALIAN 93-7288 SWEDISH 93-7291 PORTUGUESE 93-7290 NORWEGIAN 93-7289

## JAPANESE PARTS KIT NO. 88-7980

DESCRIPTION	LOCATION	PART NUMBER	
		ENGLISH	JAPANESE
Decal Danger	Engine	88-7620	92-4813
Decal Danger	Bellcrank Cover	67-5360	84-7280
Decal Reel Engagement	Reel Drive Cover	65-7660	92-4817
Decal Control Panel	Control Panel	93-6084	92-4829
Decal Warning	Frame	55-4300	84-2940
Decal Warning	Grass Shield	62-5070	84-6560
Decal Warning	Side Plate	88-8950	93-9389
Decal Hot Surface	Engine	63-8440	83-2560
Decal Service	Grass Shield	93-6098	93-9394

# TORO PART NUMBER INDEX

3317-366 Rev. A

Part No.	Description	Pg. No.	Ref. No.	Qty.	Part No.	Description	Pg. No.	Ref. No.	Qty.
3-5787	Spring	12	2	1	65-8670	Adjuster - Frame	2	39	2
8-2520	Support - Comb	14	4	1	65-8680	Washer - Thrust	1	2	2
8-2530	Comb - Urethane	14	5	1	65-8690	Screw - Adjusting	2	41	2
11-0070	Assembly - Comb, Scraper	14	6	1	65-8700	Band - Brake	9	25	1
11-9030	Bolt - Shoulder	11	13	3	65-8710	Flangette	6	22	2
11-9030	Bolt - Shoulder	12	14	2	65-8720	Closure	6	29	2
11-9030	Bolt - Shoulder	9	14	1	65-8730	Clamp - Bearing	6	30	4
12-9140	Decal	15	1	1	65-8770	Bushing	11	10	4
29-9080	Handle	15	3	1	65-8910	Pulley - Countershaft	9	32	1
29-9090	Hose - Handle	15	4	1	65-8960	Boot - Clutch	3	28	1
33-1000	Scraper - Brush	14	2	1	65-8970	Knob - Black	12	29	1
36-4310	Brush	15	5	1	65-8971	Knob - Red	12	20	1
36-7260	Bar - Cutoff	5	7	1	65-9080	Belt	9	35	1
38-7820	Bearing - Ball	6	41	2	65-9120	Pulley - Differential	7	9	1
38-7820	Bearing - Ball	11	44	2	66-2000	Decal - Noise	12	30	1
38-7820	Bearing - Ball	3	44	1	66-2921	Washer - Friction	12	5	2
38-7820	Bearing - Ball	9	45	2	67-5360	Decal - Danger (English)	11	26	1
48-7700	Screw - Cap Hex. Hd.	11	22	6	71-1550	Assembly - Wiehle Roller	13	5	1
48-9460	Screw - Cap Hex. Hd.	11	40	1	86-7130	Spacer	6	10	2
51-0880	Tool - Bedknife Screw	15	1	1	86-7130	Spacer - Short	9	26	1
52-2860	Washer	5	20	4	86-7140	Spacer - Long	9	31	1
52-2890	Bushing	2	42	2	87-5490	Switch	11	16	1
52-2900	Washer - Poly	5	14	4	88-6790	Wiehle Roller Assembly	1	27	1
52-3170	Assembly - Roller	13	3	1	88-7090	Spacer - LH	2	*	1
52-3180	Bearing	2	28	2	88-7100	Spacer - RH	2	46	1
52-3180	Bearing - Roller	13	1	2	88-7110	Rod - Frame Support	2	38	1
52-3590	Assembly - Swaged Roller	13	4	1	88-7150	Key - Square	3	10	2
55-4300	Decal - Warning (English)	2	35	2	88-7170	Lever - Clutch	3	24	1
57-4910	Screw - Special	5	13	13	88-7190	Spacer - Pulley Support	6	44	2
62-5070	Decal - Shield	5	9	1	88-7190	Spacer - Pulley Support	4	59	1
63-8440	Decal - Hot (English)	11	18	1	88-7200	Washer - Flat	6	43	2
63-9510	Bushing Assembly	2	43	2	88-7200	Washer - Flat	3	46	1
65-6200	Belt - Reel Drive	3	41	1	88-7200	Washer - Flat	9	46	1
65-6210	Belt	6	12	2	88-7230	Housing - Countershaft	9	1	1
65-6220	Cover - Bearing	6	17	1	88-7240	Cover - Box Front	9	37	1
65-6270	Bolt - Bedbar	5	15	2	88-7250	Cover - Box Rear	9	38	1
65-6290	Spring - Clutch Detent	3	20	1	88-7280	Drum Assembly	7	1	2
65-6360	Support - Spring	1	5	2	88-7350	Spacer - Pulley Support	11	42	1
65-6380	Collar - Thrust	1	3	2	88-7380	Spacer - Pulley Support	10	57	1
65-6400	Spring - Compression	1	4	2	88-7450	Spacer	12	24	2
65-6450	Bracket - Shield LH	5	2	1	88-7470	Housing - LH	6	4	1
65-6460	Bracket - Shield RH	5	3	1	88-7490	Housing - RH	6	*	1
65-6570	Washer	6	15	2	88-7510	Shaft - Drum RH	7	*	1
65-6590	Flangette	6	20	2	88-7520	Shaft - Drum LH	7	4	1
65-6660	Pulley	6	13	2	88-7530	Spacer	6	1	2
65-6700	Flangette	9	6	1	88-7540	Washer - Backup	6	2	2
65-6710	Flangette	9	8	1	88-7550	Pulley - RH	6	*	1
65-6720	Plate - Screw	9	5	1	88-7560	Pulley - LH	6	3	1
65-6760	Housing - Bearing	9	27	1	88-7640	Shaft - Drum	7	3	1
65-6800	Boot - Differential	9	43	1	88-7670	Base - Engine	1	6	1
65-6810	Support - Brake	9	21	2	88-7680	Cover - Drum Belt LH	6	36	1
65-6850	Key	9	33	1	88-7690	Cover - Drum Belt RH	6	*	1
65-6901	Strip - Cover Seal	9	50	1	88-7700	Cover - Reel Drive	3	50	1
65-6902	Strip - Cover Seal	10	51	1	88-7710	Seal - Countershaft	9	34	1
65-6903	Strip - Cover Seal	10	52	1	88-7720	Washer - Wave	3	7	1
65-6940	Clutch - Jaw Driver	3	11	1	88-7770	Strip - Seal Front	3	51	1
65-6970	Seal - Felt	3	18	1	88-7780	Strip - Seal Rear	3	52	1
65-7131	Trim - Groomer Arm Cover	3	31	1	88-7790	Strip - Seal Upper	4	53	1
65-7190	Cover - Groomer Arm	3	30	1	88-7800	Strip - Seal Lower	4	54	1
65-7230	Basket - Grass	7	13	1	88-7810	Seal Strip - Drum Cover	6	37	2
65-7510	Grommet - Handle	1	12	2	88-7830	Clutch & Pulley Assembly	3	12	1
65-7660	Decal - Reel Engagement	4	56	1	88-7840	Pulley & Drive Assembly	3	42	1
65-8260	Spacer - Engine Shaft	11	12	1	88-7850	Idler Pulley Assembly	6	40	2
65-8270	Washer	11	39	1	88-7850	Idler Pulley Assembly	3	43	1
65-8290	Standoff - Cover	3	36	2	88-7860	Spacer	3	25	1
65-8320	Bar	15	1	1	88-7870	Idler Pulley Assembly	9	44	1
65-8340	Scraper - Wiehle Roller	14	7	1	88-7880	Bearing	6	21	2
65-8360	Scraper - Smooth	14	1	1	88-7890	Idler Pulley Assembly	11	43	1
65-8570	Rod - Grass Catcher	1	26	2	88-7960	Bracket - Throttle Cable	11	27	1
65-8610	Lever - Brake	9	19	1	88-7970	Clip	10	59	1
65-8640	Housing - Bearing	6	27	1	88-8950	Decal - Warning, Belt	2	33	3
65-8640	Housing - Bearing	3	34	1	92-7302	Nut - Bearing Lock	6	24	1

\*Not Illustrated

# TORO PART NUMBER INDEX (Cont.)

Part No.	Description	Pg. No.	Ref. No.	Qty.	Part No.	Description	Pg. No.	Ref. No.	Qty.
92-8013	Housing - Clutch	3	1	1	93-8511	Seal - Oil	16	12	2
92-8914	Bolt - Tapered Face	2	36	4	93-8512	Pin	16	13	2
92-9212	Pulley - Input Shaft	9	16	1	93-8513	Plug - Drain	16	14	2
92-9216	Pulley - Input Drive	11	11	1	93-8514	Gasket - Drain Plug	16	15	2
92-9218	V-Belt, Matched Set	11	38	1	93-8515	Crankcase	16	16	1
93-1448	Cover Bracket	10	53	1	93-8516	Pin	16	17	2
93-4262	Bedknife - Micro	5	*	1	93-8517	Bearing - Ball	16	18	3
93-4263	Bedknife - Tournament	5	*	1	93-8518	Crankshaft Assembly	16	19	1
93-4264	Bedknife - 1/8	5	19	1	93-8519	Gear - Helical	16	20	1
93-6000	Pin - Handle Pivot	12	36	2	93-8520	Cover - Crankcase	16	21	1
93-6001	Handle	12	38	1	93-8521	Bolt - Flanged	16	22	7
93-6002	Cable Assembly - Link	11	36	1	93-8522	Seal - O-Ring	16	23	2
93-6003	Lever - Clutch	11	35	1	93-8523	Cap - Oil Filler	16	24	2
93-6011	Spring - Torsion	11	14	1	93-8524	Stud	16	25	1
93-6012	Spring - Torsion, Clutch	11	32	1	93-8525	Gasket - Crankcase	16	26	1
93-6013	Shield - Belt	11	33	1	93-8526	Key	16	27	1
93-6014	Lever	11	9	1	93-8527	Bolt - Rod	16	28	2
93-6015	Bracket - Clutch	11	17	1	93-8528	Connecting Rod Assy.	16	29	1
93-6016	Washer - Retaining	12	4	1	93-8529	Valve - Exhaust	17	1	1
93-6017	Lever - Throttle	12	6	1	93-8530	Spring - Valve	17	2	2
93-6018	Bracket - Skid, Clutch	12	8	1	93-8531	Retainer - Spring	17	3	2
93-6019	Bracket - Clutch	12	28	1	93-8532	Valve - Intake	17	4	1
93-6021	Bracket - Skid, Brake	12	16	1	93-8533	Nut	17	5	2
93-6022	Bracket - Brake	12	17	1	93-8534	Nut	17	6	2
93-6024	Bushing - Handle Support	1	14	2	93-8535	Arm - Rocker	17	7	2
93-6025	Rear Frame W.A.	1	10	1	93-8536	Bolt	17	8	2
93-6029	Pin - Ring	1	16	2	93-8537	Guide	17	9	1
93-6034	Harness - Wire, Module	11	24	1	93-8538	Rod - Push	17	10	2
93-6036	Console	12	32	1	93-8539	Tappet	17	11	2
93-6037	Arm - Handle RH	1	*	1	93-8540	Pin	17	12	2
93-6038	Arm - Handle LH	1	13	1	93-8541	Spring	17	13	1
93-6045	Cover - Bellcrank	11	1	1	93-8542	Pin	17	14	1
93-6046	Bracket - Console RH	12	10	1	93-8543	Decompressor	17	15	1
93-6047	Bracket - Console LH	12	19	1	93-8544	Camshaft Assembly	17	16	1
93-6048	Bracket - Height of Cut, RH	1	*	1	93-8545	Key	17	17	1
93-6049	Bracket - Height of Cut, LH	1	25	1	93-8546	Switch	18	41	1
93-6051	Screw - Height of Cut	1	20	2	93-8547	Coil - Ignition	18	2	1
93-6053	Bedbar	5	12	1	93-8548	Bolt - Flanged	18	3	2
93-6055	Differential Assembly	7	8	1	93-8549	Screw	18	4	3
93-6056	Shaft - Power	3	9	1	93-8550	Bolt - Flanged	18	5	10
93-6057	Lever - Clutch	12	25	1	93-8551	Housing - Fan	18	6	1
93-6058	Lever - Brake	12	18	1	93-8552	Recoil Starter Assy.	18	7	1
93-6064	Seal - Grass Catcher	2	34	1	93-8553	Screw	18	8	1
93-6068	Front Frame Tube Assembly	2	37	1	93-8554	Pawl - Recoil	18	9	2
93-6069	Grass Shield Assembly	5	1	1	93-8555	Spring - Return	18	10	2
93-6073	Retainer	11	4	1	93-8556	Reel - Recoil	18	11	1
93-6074	Stud	11	3	1	93-8557	Spring	18	12	1
93-6081	Cable - Clutch	12	12	1	93-8558	Grip	18	13	1
93-6082	Cable - Brake	12	15	1	93-8559	Case - Recoil	18	14	
93-6083	Screw	12	13	10	93-8560	Rope	18	15	1
93-6084	Decal - Control Panel	12	31	1	93-8561	Ring - Retaining	18	16	1
93-6085	Decal - Throttle	12	27	1	93-8562	Guide - Pawl	18	17	1
93-6087	Reel Assembly - 8 Blade	5	*	1	93-8563	Shroud - Engine	18	18	1
93-6088	Engine Assembly	11	23	1	93-8564	Collar	18	19	1
93-6090	Arm - Height of Cut	1	24	2	93-8565	Shroud - Engine	18	20	1
93-6093	Side Plate Assembly RH	1	1	1	93-8566	Bolt - Flanged	18	21	1
93-6094	Side Plate Assembly LH	1	19	1	93-8567	Pulley - Recoil	18	22	1
93-6097	Reel Assembly - 11 Blade	5	11	1	93-8568	Nut	18	23	1
93-6098	Decal - Service	5	10	1	93-8569	Washer	18	24	1
93-6099	Washer	11	31	1	93-8570	Flywheel	18	25	1
93-7348	Decal - Danger, Fuel	11	19	1	93-8571	Key	18	26	1
93-8500	Ring - Retaining	16	1	2	93-8572	Fan	18	27	1
93-8501	Pin - Piston	16	2	1	93-8573	Collar	18	28	3
93-8502	Piston	16	3	1	93-8574	Washer	18	29	3
93-8503	Piston Ring Set	16	4	1	93-8575	Bolt - Flanged	18	30	3
93-8504	Gasket - Head	16	5	1	93-8576	Clamp	18	31	1
93-8505	Head - Cylinder	16	6	1	93-8577	Screw - Pan Hd.	18	32	1
93-8506	Bolt - Flanged	16	7	4	93-8578	Igniter	18	33	1
93-8507	Bolt - Flanged	16	8	4	93-8579	Washer	18	34	1
93-8508	Case - Rocker	16	9	1	93-8580	Bracket	18	35	1
93-8509	Gasket - Rocker	16	10	2	93-8581	Lead - Wire	18	36	1
93-8510	Breather	16	11	1	93-8582	Grommet	18	37	1

\*Not Illustrated

# TORO PART NUMBER INDEX (Cont.)

Part No.	Description	Pg. No.	Ref. No.	Qty.	Part No.	Description	Pg. No.	Ref. No.	Qty.
93-8583	Clamp	18	38	1	93-8655	Washer - Spring	21	22	2
93-8584	Plug - Spark	18	39	1	93-8656	Nut - Hex.	21	23	2
93-8585	Cap - Spark Plug	18	40	1	93-8657	Gasket - Air Filter	21	24	1
93-8586	Terminal	18	41	1	93-8658	Pipe	21	25	1
93-8587	Panel - Control	19	1	1	93-8659	Tube	21	26	1
93-8588	Spring	19	2	2	93-8660	Fuel Cap Assembly	22	1	1
93-8589	Bolt	19	3	2	93-8661	Screw	22	2	2
93-8590	Washer	19	4	1	93-8662	Gasket	22	3	1
93-8591	Spring	19	5	1	93-8663	Spring	22	4	1
93-8592	Plate	19	6	1	93-8664	Clamp	22	5	2
93-8593	Spring	19	7	1	93-8665	Clamp	22	6	1
93-8594	Spacer	19	8	1	93-8666	Tube	22	7	1
93-8595	Nut	19	9	1	93-8667	Nut	22	8	1
93-8596	Screw - Pan Hd.	19	10	1	93-8668	Washer	22	9	1
93-8597	Nut	19	11	1	93-8669	Tap Assembly	22	10	1
93-8598	Lever	19	12	1	93-8670	Screw	22	11	1
93-8599	Control Panel Assy.	19	13	1	93-8671	Seal - O-Ring	22	12	1
93-8600	Bolt - Flanged	19	14	2	93-8672	Filter - Tap	22	13	1
93-8601	Spring	19	15	1	93-8673	Gasket	22	14	1
93-8602	Rod - Governor	19	16	1	93-8674	Cup - Tap	22	15	1
93-8603	Arm - Governor	19	17	1	93-8675	Nut	22	16	1
93-8605	Spring - Governor	19	19	1	93-8676	Clamp	22	17	2
93-8606	Bolt	19	20	1	93-8677	Tube	22	18	1
93-8607	Pin - Snap	19	21	1	93-8678	Bracket - Tank	22	19	1
93-8608	Washer	19	22	1	93-8679	Bolt - Flanged	22	20	4
93-8609	Arm - Pivot	19	23	1	93-8680	Bolt - Flanged	22	21	2
93-8610	Sleeve	19	24	1	93-8681	Bracket	22	22	1
93-8611	Governor Assembly	19	25	1	93-8682	Tank - Fuel	22	23	1
93-8612	Washer	19	26	1	93-8683	Bolt	22	24	4
93-8613	Gasket - Carburetor	20	1	3	93-8684	Filter - Fuel	22	25	1
93-8614	Insulator	20	2	1	93-8685	Gauge - Fuel	22	26	1
93-8615	Carburetor Assembly	20	3	1	93-8686	Screw	22	27	2
93-8616	Valve - Throttle	20	4	1	93-8687	Decal - Choke	23	1	1
93-8617	Valve - Choke	20	5	1	93-8688	Decal - Recoil	23	2	1
93-8618	Jet - Pilot #42	20	6	1	93-8689	Decal - Instruction	23	3	1
93-8619	Screw Assembly	20	7	1	93-8690	Decal - Maintenance	23	4	1
93-8620	Screw - Assembly	20	8	1	93-8691	Decal - Model	23	5	1
93-8621	Nozzle - Main	20	9	1	93-8692	Decal - Warning	23	6	1
93-8622	Jet - Main #70	20	10	1	93-9001	Bellcrank Cover Assembly	11	*	1
93-8623	Float Assembly	20	11	1	93-9014	Pin - Actuator	3	19	1
93-8624	Gasket	20	12	1	93-9023	Cable - Throttle	12	1	1
93-8625	Float Chamber Assy.	20	13	1	233-69	Knob	3	29	1
93-8626	Screw Assembly	20	14	1	237-160	Plug	4	55	1
93-8627	Bolt	20	15	1	2410-18	Plug	15	2	1
93-8628	Bolt - Stud	20	16	2	2412-21	Clip - Cable	11	28	1
93-8629	Clamp	20	17	1	2412-93	Clamp - R	11	20	1
93-8630	Tube	20	18	1	2412-139	Clamp - Hose	9	41	1
93-8631	Nut	19	18	1	2412-140	Clamp - Hose	9	42	1
93-8631	Nut	20	19	2	251-318	Bearing - Ball	3	4	1
93-8631	Nut	21	8	3	251-336	Bearing - Ball	3	13	2
93-8632	Bolt - Stud	20	20	2	251-338	Bearing	6	9	2
93-8633	Pipe - Intake	20	21	1	251-338	Bearing	9	30	1
93-8634	Air Filter Assembly	21	1	1	251-342	Bearing	6	26	1
93-8635	Case - Air Filter	21	2	1	251-342	Bearing - Self-Aligning	3	37	1
93-8636	Element - Air Filter	21	3	1	251-343	Bearing	9	9	1
93-8637	Element - Air Filter	21	4	1	253-84	Seal - Oil	7	2	2
93-8638	Cap - Air Filter	21	5	1	253-96	Seal	6	33	1
93-8639	Washer	21	6	22	253-96	Seal	3	35	1
93-8640	Bolt	21	7	2	253-118	Seal - Oil	3	6	1
93-8642	Plate - Air Filter	21	9	1	253-160	Seal	6	8	4
93-8643	Muffler Assembly	21	10	1	253-160	Seal	9	29	2
93-8644	Bolt	21	11	4	253-161	Seal - V-Ring	6	16	2
93-8645	Washer	21	12	4	253-163	Seal	6	25	1
93-8646	Cover - Muffler	21	13	1	253-163	Seal	3	39	1
93-8647	Screw	21	14	4	256-206	Bushing	12	39	2
93-8648	Pipe - Tail	21	15	1	283-75	Pin - Clevis	9	20	1
93-8649	Cover - Muffler	21	16	1	302-5	Fitting - Grease	13	2	2
93-8650	Washer	21	17	2	302-5	Fitting - Grease	3	5	2
93-8651	Collar	21	18	1	302-5	Fitting - Grease	11	8	2
93-8652	Pipe - Exhaust	21	19	1	302-5	Fitting - Grease	6	11	1
93-8653	Bolt - Stud	21	20	2	302-5	Fitting - Grease	2	29	2
93-8654	Gasket - Muffler	21	21	1	302-11	Fitting - Grease	6	23	2

\*Not Illustrated

# TORO PART NUMBER INDEX (Cont.)

Part No.	Description	Pg. No.	Ref. No.	Qty.	Part No.	Description	Pg. No.	Ref. No.	Qty.
302-19	Fitting - Grease	6	7	2	3254-8	Washer - Lock I.T.L.W.	4	58	4
302-55	Fitting - Grease	9	7	1	3255-8	Washer - Lock	2	30	4
302-64	Fitting - Grease	9	28	1	3255-9	Washer - External Lock	11	21	1
321-2	Screw - Cap Hex. Hd.	9	39	3	3256-2	Washer - Flat	11	2	1
321-3	Screw - Cap Hex. Hd.	5	4	4	3256-22	Washer - Flat	5	5	6
321-3	Screw - Cap Hex. Hd.	10	55	2	3256-22	Washer - Flat	10	58	2
321-4	Screw - Cap Hex. Hd.	3	27	1	3256-23	Washer - Flat	7	10	4
321-8	Screw - Cap Hex. Hd.	12	9	1	3256-23	Washer - Flat	12	23	2
321-11	Screw - Cap Hex. Hd.	6	38	8	3256-24	Washer - Flat	9	4	4
321-20	Screw - Cap Hex. Hd.	4	57	4	3256-24	Washer - Flat	1	9	6
322-2	Screw - Cap Hex. Hd.	2	31	4	3256-24	Washer - Flat	12	35	2
322-3	Screw - Cap Hex. Hd.	6	18	10	3256-56	Washer - Flat	11	7	10
322-3	Screw - Cap Hex. Hd.	9	47	1	3257-32	Key	7	12	2
322-3	Screw - Cap Hex. Hd.	3	48	1	3257-32	Key	9	18	1
322-5	Screw - Cap Hex. Hd.	3	2	3	3259-15	Screw - Drive	3	23	1
322-5	Screw - Cap Hex. Hd.	6	5	4	3272-6	Pin - Cotter	9	23	2
322-5	Screw - Cap Hex. Hd.	7	5	8	3272-8	Pin - Cotter	9	24	1
322-5	Screw - Cap Hex. Hd.	9	36	4	3289-23	Screw - Flat Hd.	3	32	2
322-9	Screw - Cap Hex. Hd.	12	7	4	3290-378	Tie - Cable	12	40	2
322-9	Screw - Cap Hex. Hd.	1	17	2	3290-414	Washer	3	26	1
322-9	Screw - Cap Hex. Hd.	11	25	4	3290-467	Pin - Cotter, Hair	1	15	2
323-4	Screw - Cap Hex. Hd.	11	5	2	3290-485	Washer - Wave	3	40	1
323-4	Screw - Cap Hex. Hd.	1	18	12	3295-15	Rivet	14	3	11
323-5	Screw - Cap Hex. Hd.	9	2	4	3296-28	Nut - Lock Insert	12	37	2
323-5	Screw - Cap Hex. Hd.	1	7	4	3296-29	Nut - Lock	3	3	2
323-7	Screw - Cap Hex. Hd.	6	35	2	3296-29	Nut - Lock	6	6	4
323-11	Screw - Cap Hex. Hd.	11	34	1	3296-29	Nut - Lock	1	11	2
323-18	Screw - Cap Hex. Hd.	2	45	2	3296-29	Nut - Lock	7	11	4
323-34	Screw - Cap Hex. Hd.	12	33	2	3296-29	Nut - Lock	12	26	4
3210-7	Screw - Cap Hex. Hd.	12	21	2	3296-29	Nut - Lock	11	30	4
3218-2	Nut - Jam	9	13	3	3296-39	Nut	3	33	2
3218-2	Nut - Jam	1	22	2	3296-39	Nut - Lock	1	23	2
3218-20	Nut - Jam	11	15	2	3296-39	Nut - Lock	6	34	2
3219-1	Nut - Hex	14	9	4	3296-39	Nut - Lock	11	46	1
3219-14	Nut	15	3	1	3296-42	Nut - Lock	5	6	4
3220-5	Nut - Jam	3	17	1	3296-42	Nut - Lock	12	11	2
3220-6	Nut - Jam	2	40	2	3296-42	Nut - Lock	9	15	1
3231-5	Screw - Carriage	2	32	2	3296-42	Nut - Lock	3	21	1
3242-4	Screw - Set	1	21	2	3296-42	Nut - Lock	11	41	3
3253-3	Washer - Lock	3	22	1	3296-56	Nut - Lock	12	3	1
3253-3	Washer - Lock	9	40	5	3296-57	Nut	6	14	2
3253-4	Washer - Lock	7	6	8	3296-57	Nut - Lock	9	17	1
3253-4	Washer - Lock	9	12	8	32120-11	Ring - Retaining	3	8	1
3253-4	Washer - Lock	6	19	10	32120-42	Ring - Retaining	11	45	1
3253-4	Washer - Lock	3	47	2	32120-42	Ring - Retaining	9	48	1
3253-4	Washer - Spring Lock	12	22	2	32120-42	Ring - Snap	6	42	2
3253-4	Washer - Spring Lock	11	37	6	32120-42	Ring - Snap	3	45	1
3253-21	Washer - Lock	9	3	4	32122-22	Screw - Phill. Truss Hd.	15	2	1
3253-21	Washer - Spring Lock	11	6	2	32128-48	Nut - Flange	5	16	2
3253-21	Washer - Spring Lock	1	8	16	32144-73	Screw - Hex. Washer Hd.	11	29	1
3253-21	Washer - Spring Lock	12	34	2	32144-73	Screw - Self Tapping	5	8	5
3254-4	Washer - Lock I.T.L.W.	3	16	1	32151-89	Ring - Retaining	3	14	1
3254-6	Washer - Int. Tooth Lock	2	44	2	32151-92	Ring - Retaining	3	38	1
3254-6	Washer - Lock I.T.L.W.	9	22	2	32151-95	Ring - Retaining	3	15	2
3254-8	Washer - Lock I.T.L.W.	14	8	4					
3254-8	Washer - Lock I.T.L.W.	6	39	8					

\*Not Illustrated

## PRODUCT CHANGES

In an effort to make improvements available to TORO owners as quickly as possible, minor changes are incorporated into Toro's products from time to time that do not become immediately shown in the Parts Catalog. If such a change has been made in your unit, which is not reflected in your manual, see your TORO Distributor or his Authorized TORO Service Dealer for information and part numbers.

## IDENTIFICATION AND ORDERING

### MODEL AND SERIAL NUMBERS

The Greensmaster 1000 has two identification numbers; a model number and a serial number. The two numbers are stamped on a plate which is located on the main frame side plate. In any correspondence concerning the Greensmaster 1000, supply model and serial numbers to assure that correct information and replacement parts are obtained.

To order replacement parts from an Authorized TORO Service Dealer, supply the following information:

1. Model and serial number of the Greensmaster 1000.
2. Part number, description, and the quantity of part(s) desired.

**NOTE:** Do not order by reference number if a parts catalog is being used; use the PART NUMBER.

## TABLE OF CONTENTS

Description	Page	Description	Page
Frame Assembly	1–2	Special Tools	15
Reel Drive Assembly	3–4	Engine Crankcase Assembly	16
Reel Assembly	5	Engine Camshaft & Valves Assembly	17
Drum Drive Assembly	6	Engine Ignition Assembly	18
Drum & Basket Assembly	7	Engine Governor Assembly	19
Differential Assembly		Engine Carburetor Assembly	20
Peerless Model No. 100–111	8	Engine Air Filter & Muffler Assembly	21
Countershaft Assembly	9–10	Engine Fuel Tank Assembly	22
Engine & Bellcrank Assembly	11	Engine Decals Assembly	23
Handle Assembly	12	International Parts Reference	24
Cutting Unit Roller Options	13	TORO Part Number Index	25–28
Scraper Options	14		





