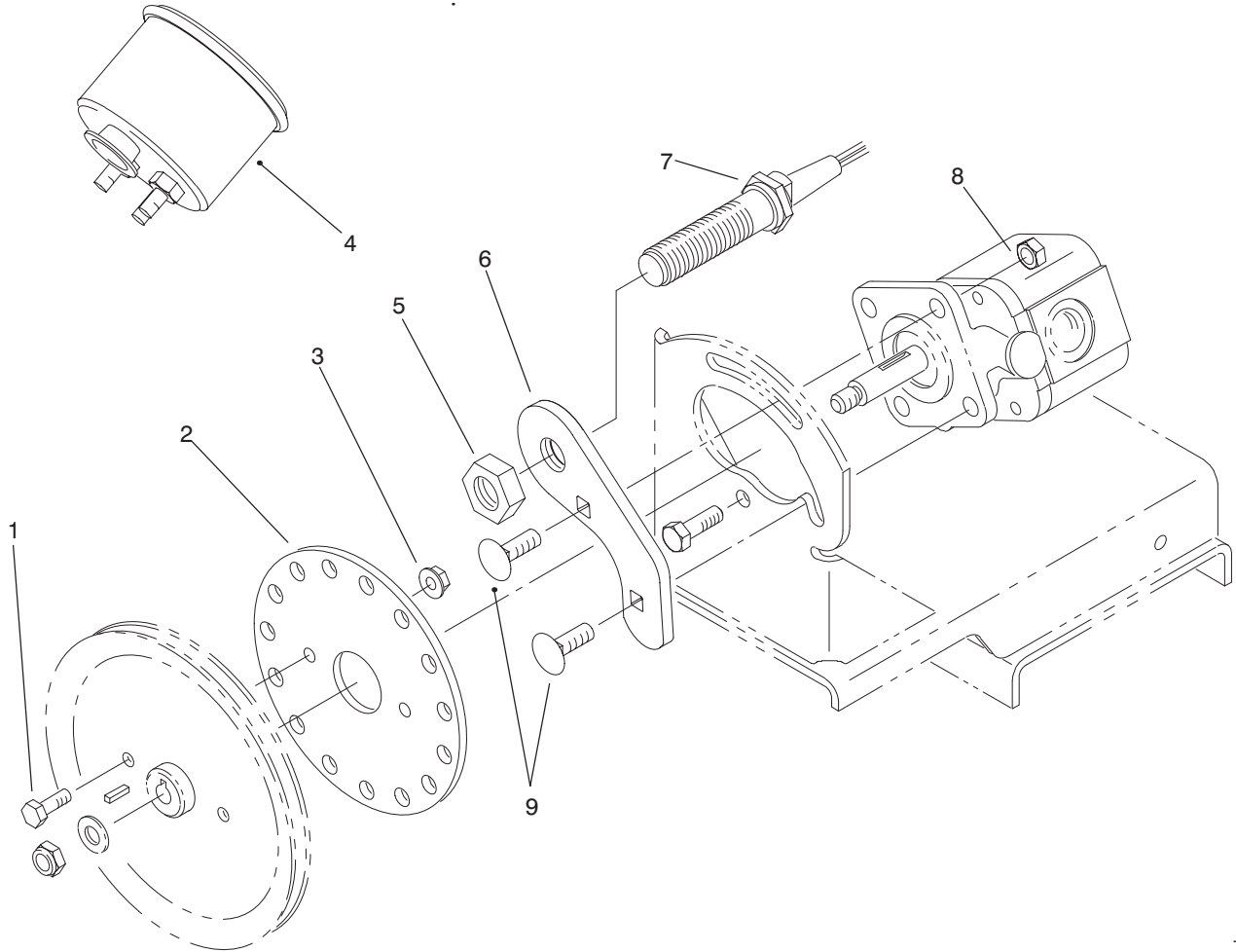




PART NO. 87-9960

PARTS
CATALOG

MPH TACHOMETER KIT
For Workman 3100

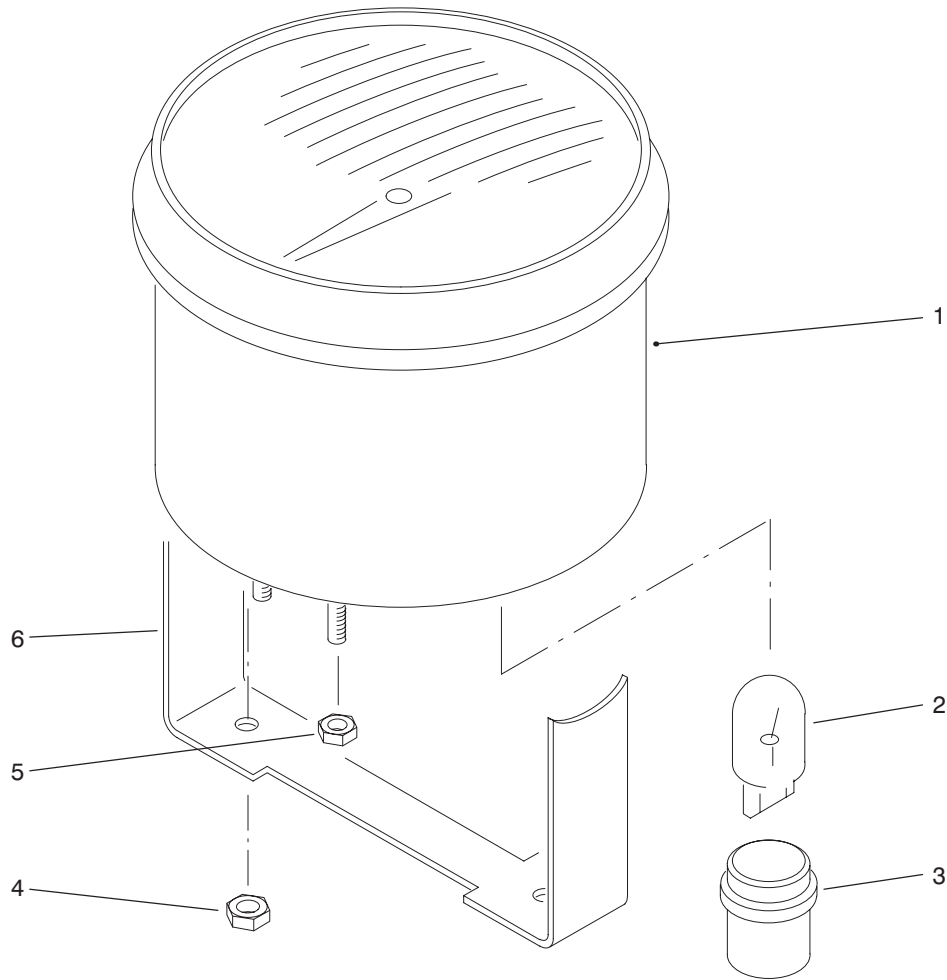


T-1813

TACHOMETER KIT ASSEMBLY

Ref. No.	Part No.	Description	No. Used
1	321-4	Screw - Cap Hex. Hd.	2
2	87-8280	Plate - Mag. Pick-Up	1
3	32128-33	Nut - Flange Hd.	2
4	87-9920	Tachometer Assembly (MPH)	1
5	3220-7	Nut - Hex.	1
6	87-7590	Mount - Mag. Pick-Up	1

Ref. No.	Part No.	Description	No. Used
7	75-6700	Sensor - Magnetic (Incl. Ref. #5)	1
8	3296-29	Nut - Lock	2
9	3230-3	Bolt - Carriage	2
*	3290-378	Tie - Cable	2



T-1677

TACHOMETER SERVICE ASSEMBLY

Ref. No.	Part No.	Description	No. Used
1	87-9920	Tachometer Assembly (MPH) (Incl. Ref. #1-6)	1
2	219-17	Bulb	1
3	87-6270	Assembly - Socket & Bulb (Incl. Ref. #2)	1

Ref. No.	Part No.	Description	No. Used
4	3217-25	Nut - Hex.	2
5	3217-29	Nut - Hex.	4
6		Clamp - Tachometer	1