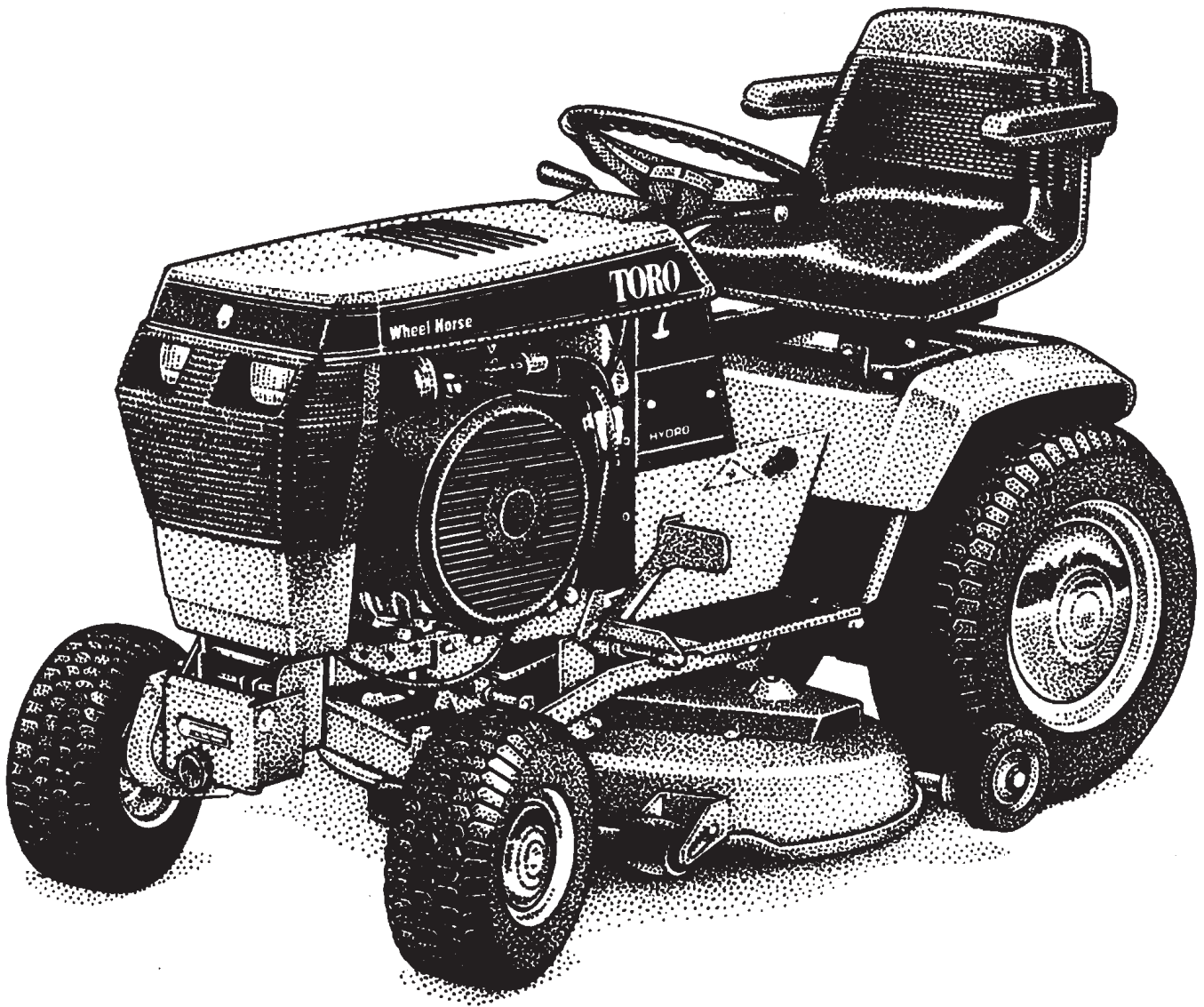


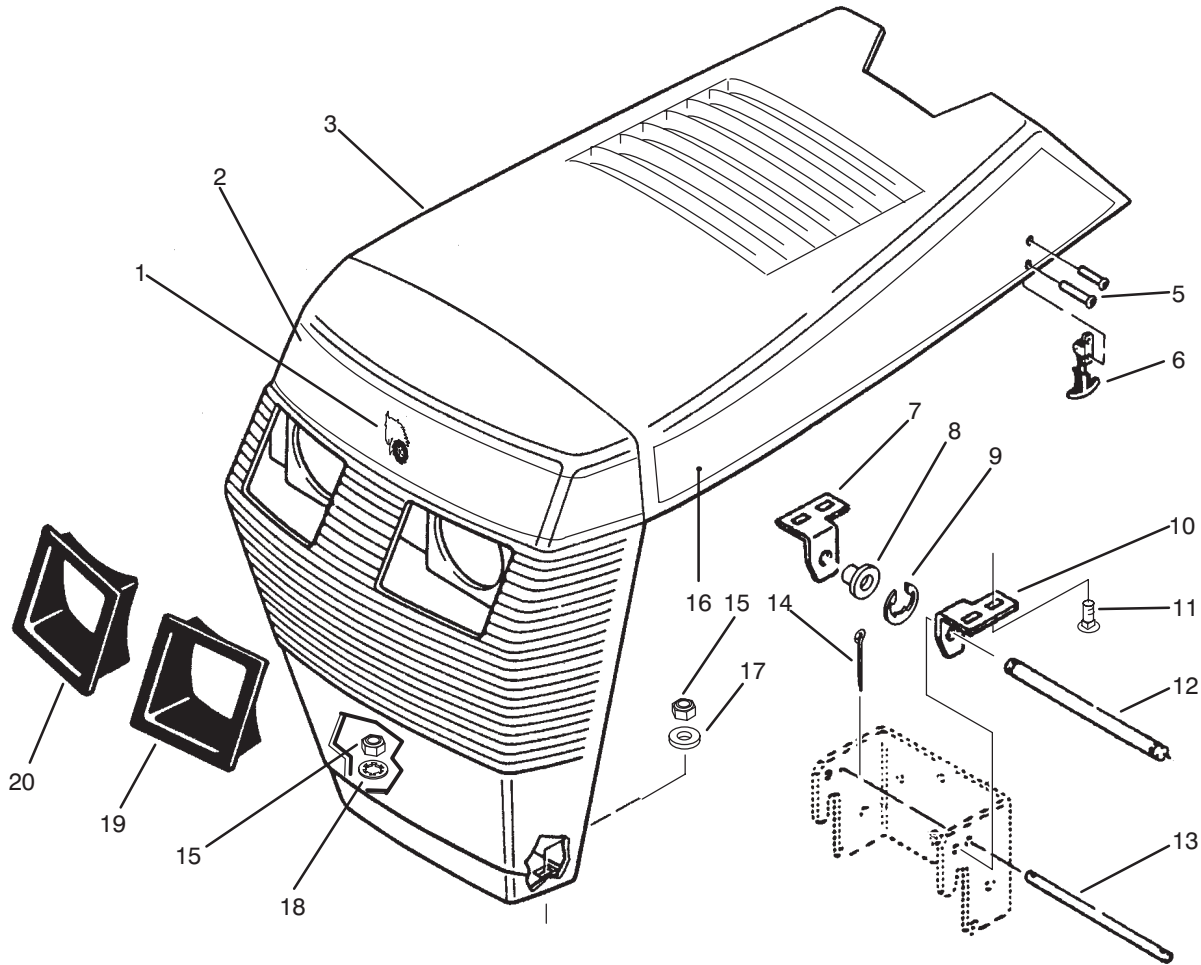


MODEL NO. 73501 5900412 & UP

PARTS
CATALOG

WHEEL HORSE®
520-H GARDEN TRACTOR





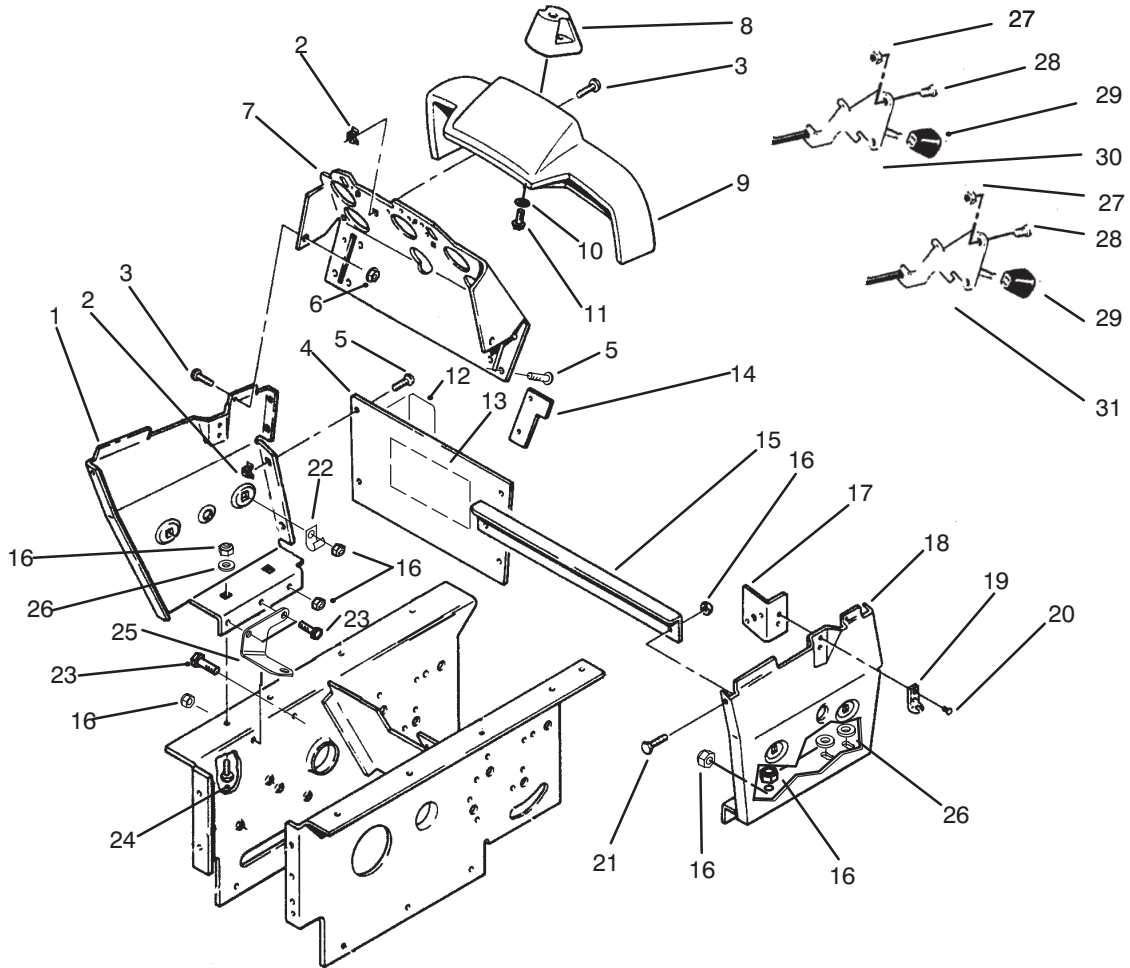
C-2042

HOOD ASSEMBLY

Ref. No.	Part No.	Description	No. Used
1	92-9836	Plate - Logo	1
2	92-9826	Decal - Front	1
3	114709	Hood	1
5	117432	Rivet - Pop	4
6	117344	Latch - Hood	2
7	116746	Bracket - RH	1
8	5979	Bushing	2
9	105797	Ring - Retaining	2
10	116747	Bracket - LH	1
11	3229-25	Bolt - Carriage	4

Ref. No.	Part No.	Description	No. Used
12	116745	Rod - Pivot	1
13	101850	Rod - Hood Stop	1
14	3272-1	Pin - Cotter	2
15	3296-42	Nut - Lock	4
16	92-9834	Decal - Hood LH	1
*	92-9835	Decal - Hood RH	1
17	3256-22	Washer	3
18	3254-2	Washer - Internal Tooth	1
19	109495	Bezel - Headlight LH	1
20	109494	Bezel - Headlight RH	1

*Not Illustrated

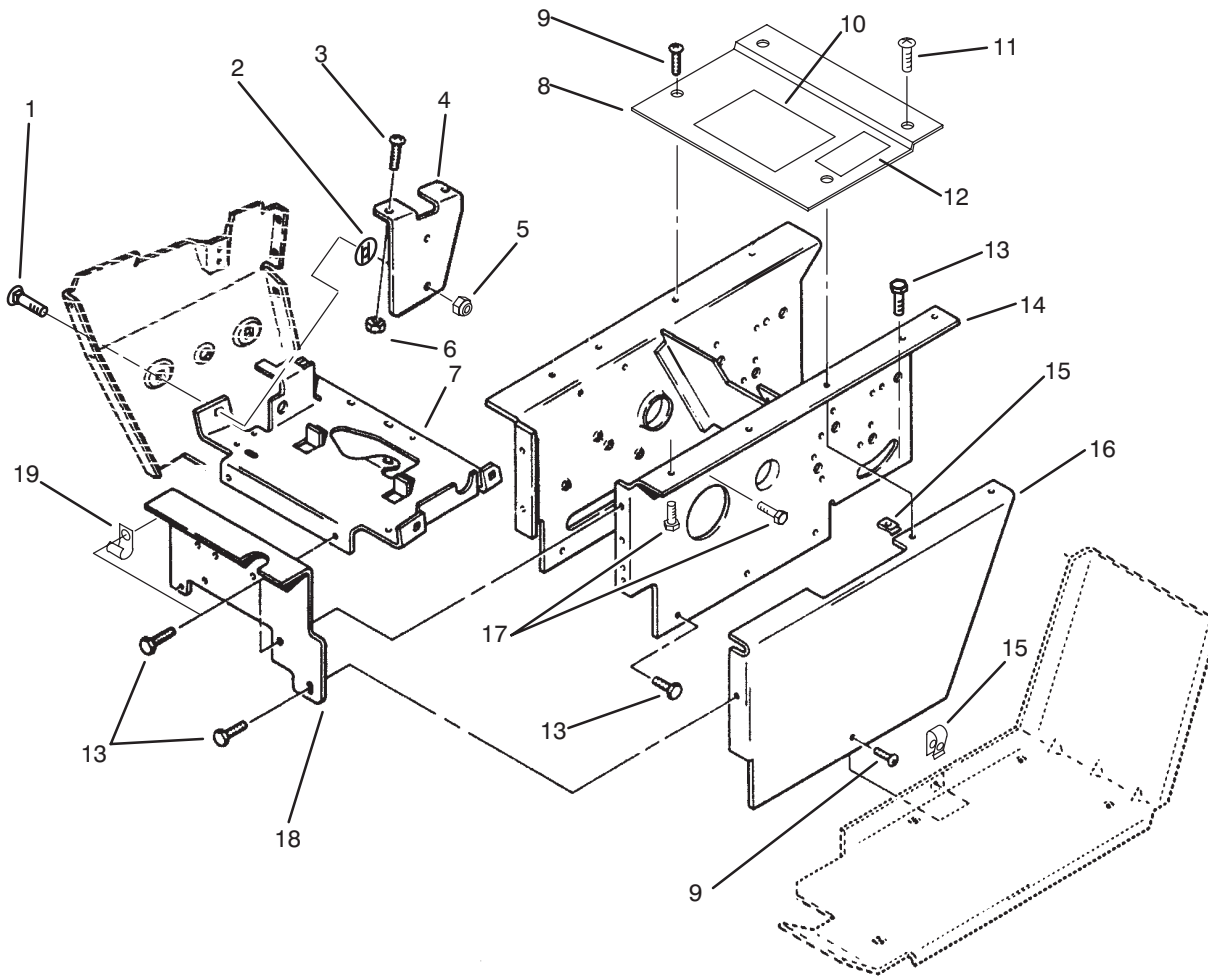


C-2043

DASH AND SIDE PANELS ASSEMBLY

Ref. No.	Part No.	Description	No. Used
1	113962	Panel - RH	1
2	32115-5	Nut - Speed	12
3	910839	Screw	6
4	92-7295	Plate - Hoodstand, Rear (Incl. Ref. #13)	1
5	910837	Screw - Black	8
6	32128-33	Nut - Lock, Flange Hd.	2
7	117267	Panel - Dash	1
8	118410	Cover - Steering	1
9	115620	Cover - Console, 5-Gage	1
10	92-0270	Washer	4
11	118780	Screw - Plastite	4
12	111960	Decal - PTO Clutch	1
13	92-9838	Decal - Danger	1
14	114641	Stop - Choke	1
15	113932	Stiffener - Panel	1

Ref. No.	Part No.	Description	No. Used
16	3296-29	Nut - Lock	11
17	114628	Bracket - Switch	1
18	79-4890	Panel - LH	1
19	117343	Keeper - Latch	2
20	117433	Rivet - RS Pop	4
21	322-1	Screw - Cap Hex. Hd.	2
22	8830	"J"Clip	1
23	322-3	Screw - Cap Hex. Hd.	3
24	900036	Bolt	2
25	78-1540	Bracket - Control, Lower	1
26	3256-23	Washer - Flat	4
27	9157404	Nut - Lock	4
28	9107922	Screw	4
29	66-0120	Knob - Throttle Control	2
30	115392	Control - Throttle	1
31	114027	Control - Choke	1

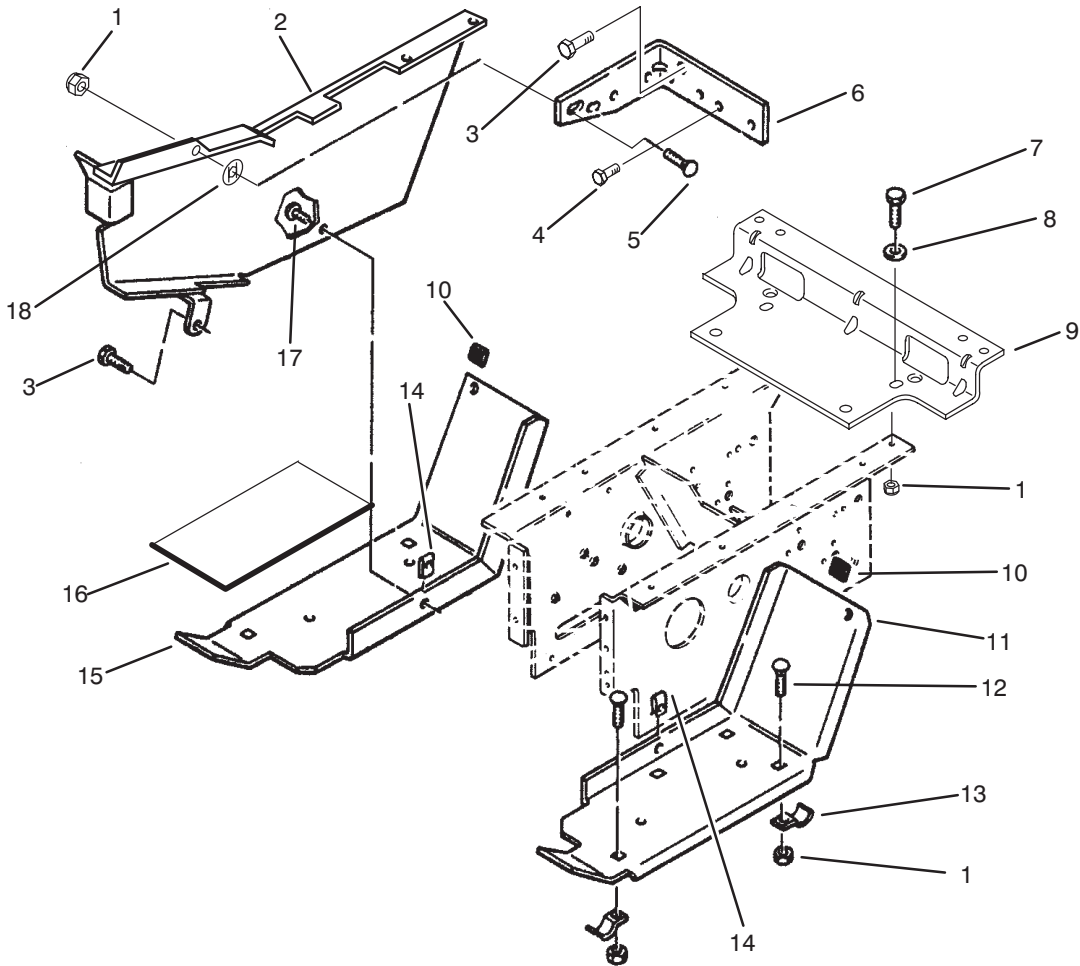


C-2044

HOODSTAND ASSEMBLY

Ref. No.	Part No.	Description	No. Used
1	116000	Bolt – Carriage	4
2	108457	Nut – Push On	1
3	321-3	Screw – Cap Hex. Hd.	2
4	117191	Bracket – Holder, Fuse	1
5	3296-29	Nut – Lock	1
6	915740	Nut	2
7	116309	Bracket – Support, Battery	1
8	92-7293	Plate – Hoodstand, Top (Incl. Ref. #10)	1
9	910837	Screw – Black	3

Ref. No.	Part No.	Description	No. Used
10	92-8946	Decal – Danger	1
11	910839	Screw	2
12	116445	Decal – Brake, Parking	1
13	926694	Screw – Cap Hex. Hd.	14
14	79-5120	Hoodstand	1
15	107069	Nut – Speed	5
16	79-5130	Cover – Side, LH	1
17	322-3	Screw – Cap Hex. Hd.	5
18	79-4020	Plate – Front	1
19	8830	"J"Clip	1



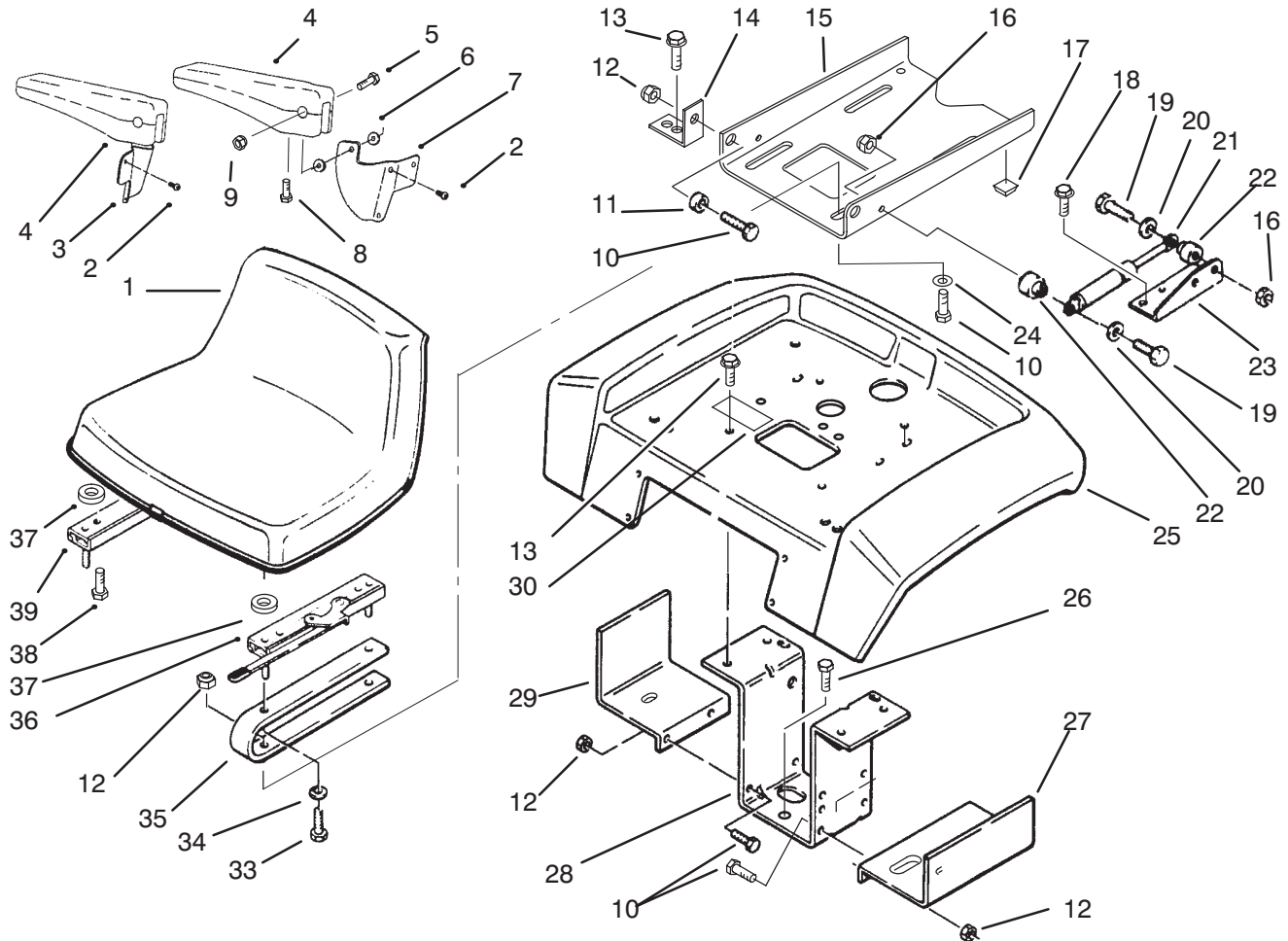
C-2046

BELT GUARD AND FOOTREST ASSEMBLY

Ref. No.	Part No.	Description	No. Used
1	3296-29	Nut - Lock	8
2	92-1527	Guard - Belt	1
3	926694	Bolt	2
4	926671	Screw - Cap Hex. Hd.	1
5	3230-1	Bolt - Carriage	1
6	109554	Bracket - Support, Guard	1
7	322-5	Screw - Cap Hex. Hd.	2
8	3256-23	Washer - Flat	2
9	113023	Bracket - Fender	1
10	518211	Bumper	2

Ref. No.	Part No.	Description	No. Used
11	106223	Footrest - LH	1
12	116000	Bolt - Carriage	4
13	7456	Bracket	4
14	107069	Clip	2
15	106222	Footrest - RH	1
16	110635	Pad - Footrest L.H.	1
*	110634	Pad - Footrest R.H.	1
17	910837	Screw	1
18	108457	Nut - Push On	1

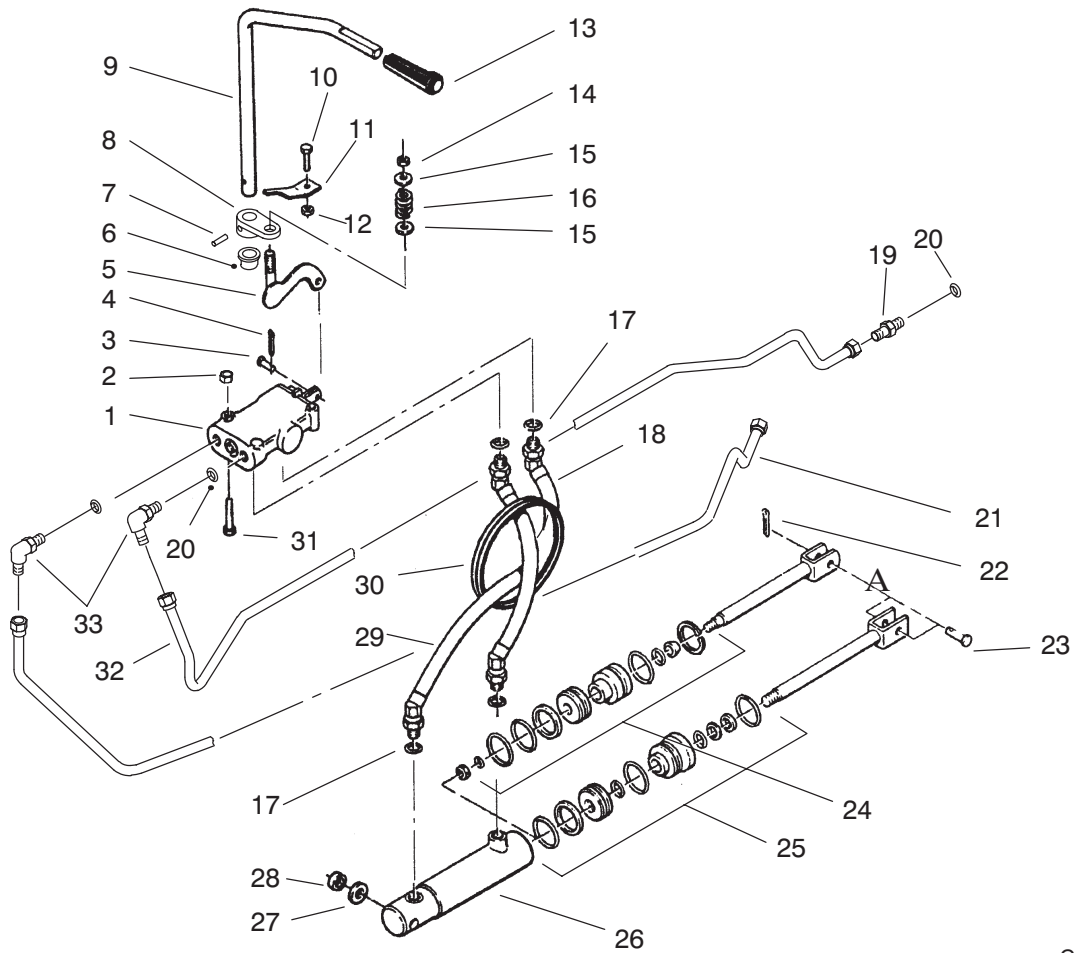
*Not Illustrated



SEAT, FENDER AND FENDER SUPPORTS

Ref. No.	Part No.	Description	No. Used
1	88-3220	Seat	1
2	92-0992	Screw	6
3	92-0987	Bracket - Arm R.H.	1
4	92-0988	Rest - Arm	2
5	92-0989	Screw	2
6	92-0993	Spacer - Nylon	4
7	92-0986	Bracket - Arm L.H.	1
8	92-0990	Screw	2
9	92-0991	Nut - Acorn Lock	2
10	322-4	Bolt	2
11	105503	Bushing	2
12	3296-29	Nut - Lock	2
13	9266944	Screw - Hex. Hd.	4
14	105524	Bracket - Pivot	2
15	78-2990	Plate - Seat Pivot	1
16	3296-42	Nut - Lock	2
17	111071	Bumper	2
18	9266944	Bolt - Flange	2
19	321-8	Bolt	2
20	3256-22	Washer	2

Ref. No.	Part No.	Description	No. Used
21	114343	Spring - Gas	1
22	114344	Spacer	2
23	114345	Bracket - Gas Spring	1
24	3256-23	Washer	4
25	110960	Fender	1
26	322-3	Screw - Cap Hex. Hd.	4
27	108464	Support - LH, Fuel Tank	1
28	79-4990	Bracket - Support, Fender	1
29	106236	Support - RH, Fuel Tank	1
30	116446	Decal - Do Not Tow	1
33	322-5	Screw - Cap Hex. Hd.	4
34	3253-4	Washer - Lock	4
35	114263	Spring - Seat	2
36	114264	Adjuster - LH (With Latch)	1
37	109989	Spacer - Nylon	4
38	9108652	Screw	4
39	114265	Slide - RH	1
*	88-3230	Kit - Armrest (Incl. Ref. # 2-9)	1



C-2051

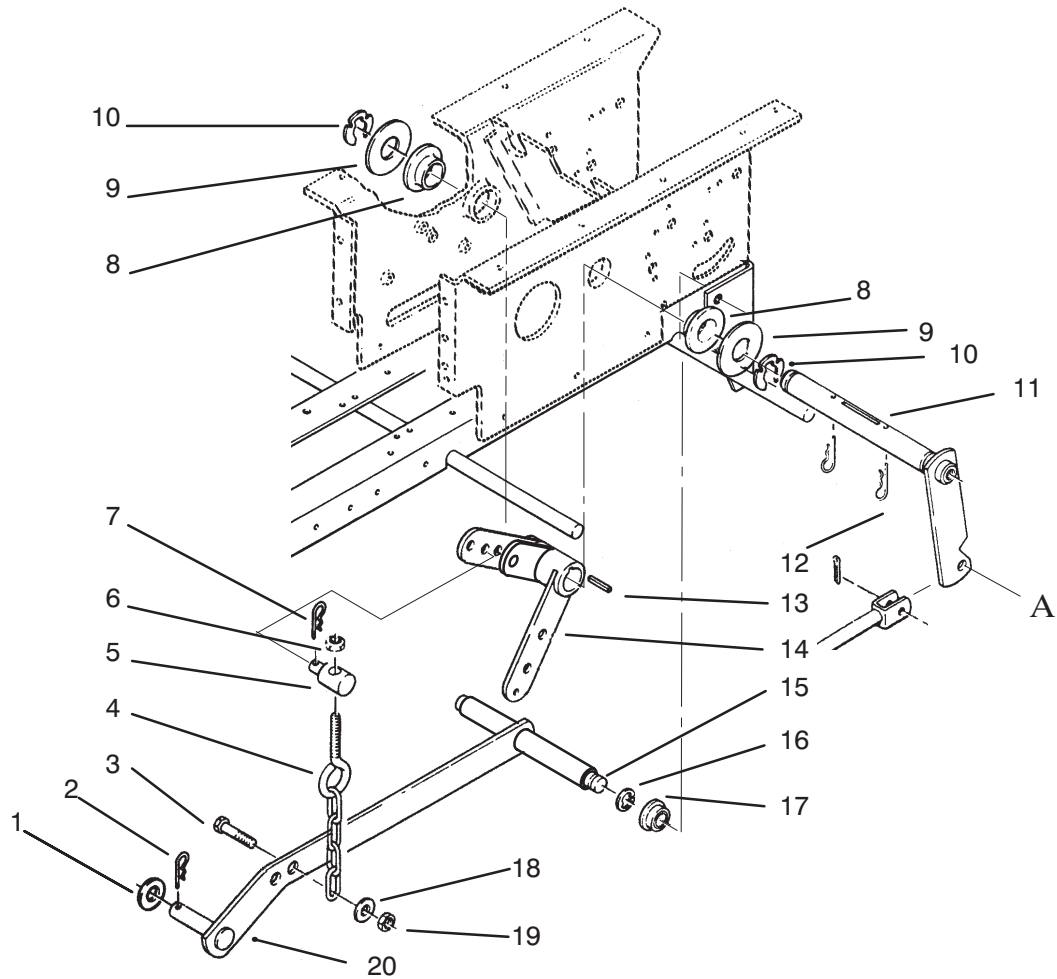
HYDRAULIC CONTROL SYSTEM

Ref. No.	Part No.	Description	No. Used
1	114000	Valve – Hydraulic (Incl. Ref.#3-4)	1
2	3296-42	Nut	2
3	9321204	Pin – Clevis	1
4	3272-1	Pin – Cotter	2
5	78-5640	Bar – Lift	1
6	5983	Bushing	1
7	933198	Pin – Spirol	1
8	116302	Arm – Control	1
9	117328	Rod – Lift Control	1
10	321-4	Screw	1
11	116305	Bracket – Control Rod	1
12	3296-42	Nut	1
13	116634	Knob – Hydraulic Lift	1
14	3296-29	Nut	1
15	3256-23	Washer – Flat	2
16	104841	Spring	1
17	973310	”O”Ring	4
18	110125	Hose – Valve To Cylinder	1
19	102628	Fitting – Straight Adapter (Incl. Ref. #20)	1

Ref. No.	Part No.	Description	No. Used
20	973370	”O”Ring	4
21	86-9280	Tube – Hydraulic (Pressure)	1
22	3272-11	Pin – Cotter	1
23	9329974	Pin – Clevis	1
24	101699	Kit – Service, Cylinder Repair	1
25	109088	Kit – Service, Cylinder Repair	1
26	119340	Cylinder – Hydraulic (Incl. Ref.#24-25)	1
27	9202324	Washer	1
28	101757	Spacer	1
29	110124	Hose – Valve To Cylinder	1
30	106267	Grommet – Rubber	1
31	321-11	Bolt	2
32	86-9290	Tube – Hydraulic (Return)	1
33	108365	Fitting – 90° (Incl. Ref. #20)	2
*	109081	Kit – Service, Valve Repair	1
*	100571	Tie – Cable	1

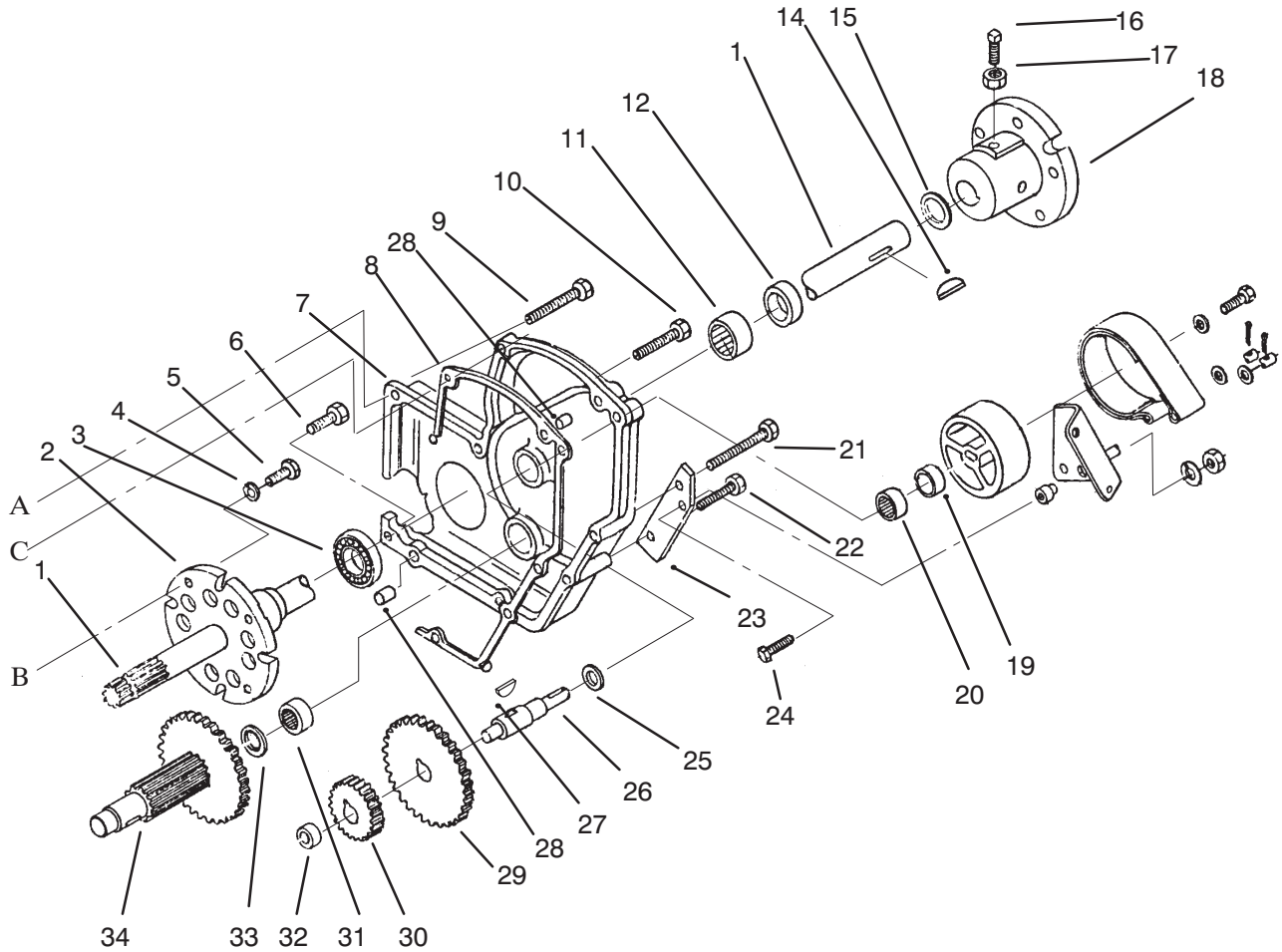
*Not Illustrated

Note : In Illustration Center lines A Continue on next page



HYDROSTATIC LIFT LINKAGE

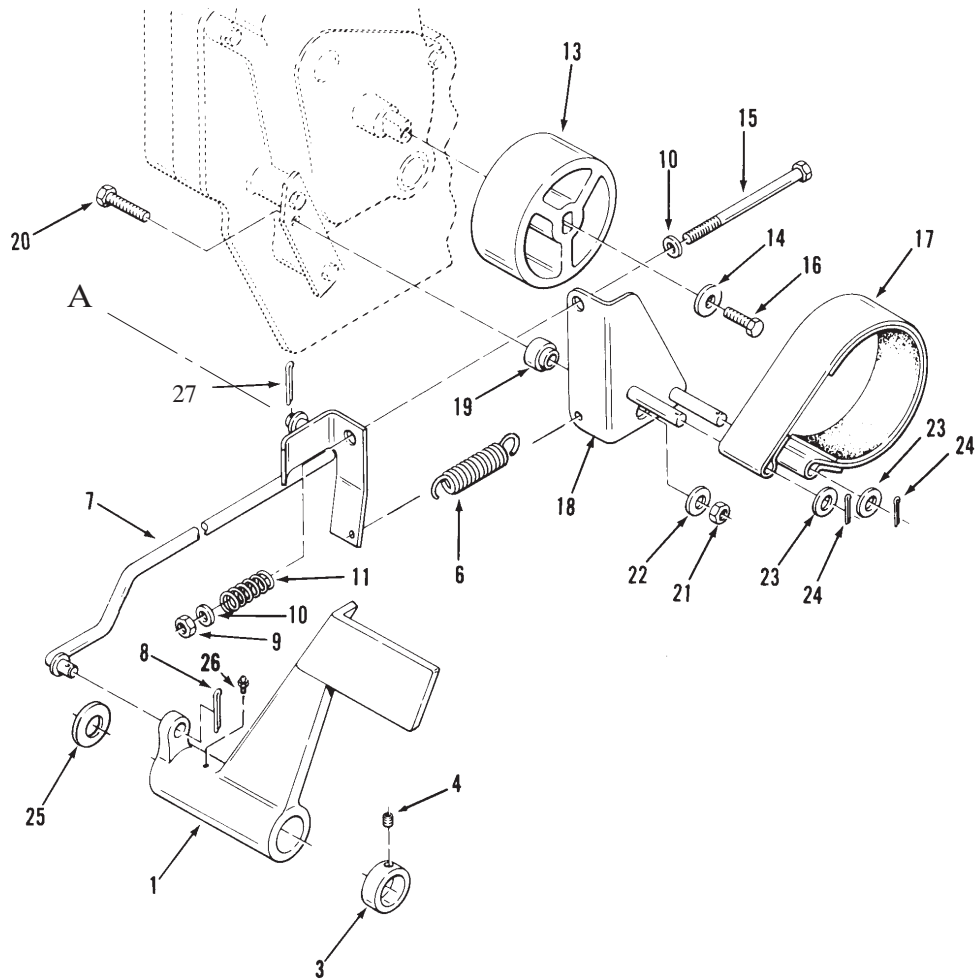
Ref. No.	Part No.	Description	No. Used	Ref. No.	Part No.	Description	No. Used
1	3256-26	Washer	1	11	121100	Lever - Lift	1
2	9335054	Pin - Cotter	1	12	9335074	Pin - Cotter	2
3	322-5	Bolt	1	13	1121	Key - Sq.	1
4	106522	Chain - Lift	1	14	79-5700	Bellcrank	1
5	79-5720	Trunnion	1	15	102374	Pin - Pivot	1
6	3296-39	Nut	1	16	32120-47	Ring - Retaining	1
7	9335054	Pin - Cotter	1	17	6229	Bearing	1
8	106269	Bearing - Flanged	2	18	3256-23	Washer	1
9	3256-62	Washer	3	19	3296-29	Nut	1
10	32151-91	Ring - Retainer	2	20	120400	Bar - Lift	1



TRANSAXLE ASSEMBLY (Continued)

Ref. No.	Part No.	Description	No. Used
1	108361	Axle – Rear, LH Short	1
2	111196	Cap – Differential End	1
3	111199	Bearing – Ball	1
4	107374	Washer – Special	4
5	911423	Bolt	4
6	9080356	Bolt	1
7	111201	Case – Transaxle, LH	1
8	108312	Gasket – Case	1
9	323-15	Bolt	2
10	9080406	Bolt	1
11	9416	Bearing – Needle	1
12	6449	Axle – Seal	1
14	937108	Key – Woodruff	1
15	106826	Washer – Thrust	1
16	3243-5	Screw – Set	2
17	3218-3	Nut	2
18	105763	Hub – Rear	1

Ref. No.	Part No.	Description	No. Used
19	108357	Seal – Oil	1
20	1538	Bearing – Needle	1
21	323-26	Screw – Hex. Hd.	1
22	323-25	Screw – Hex. Hd.	3
23	109367	Bracket – Brake	1
24	323-9	Screw – Hex. Hd.	1
25	7956	Washer – Thrust	1
26	109370	Shaft	1
27	937099	Key – Woodruff	1
28	108363	Pin – Dowel	2
29	109752	Gear 46 Tooth	1
30	109742	Gear 20 Tooth	1
31	1532	Bearing – Needle	2
32	1518	Bearing – Needle	1
33	9547	Washer – Thrust	1
34	109703	Gear	1

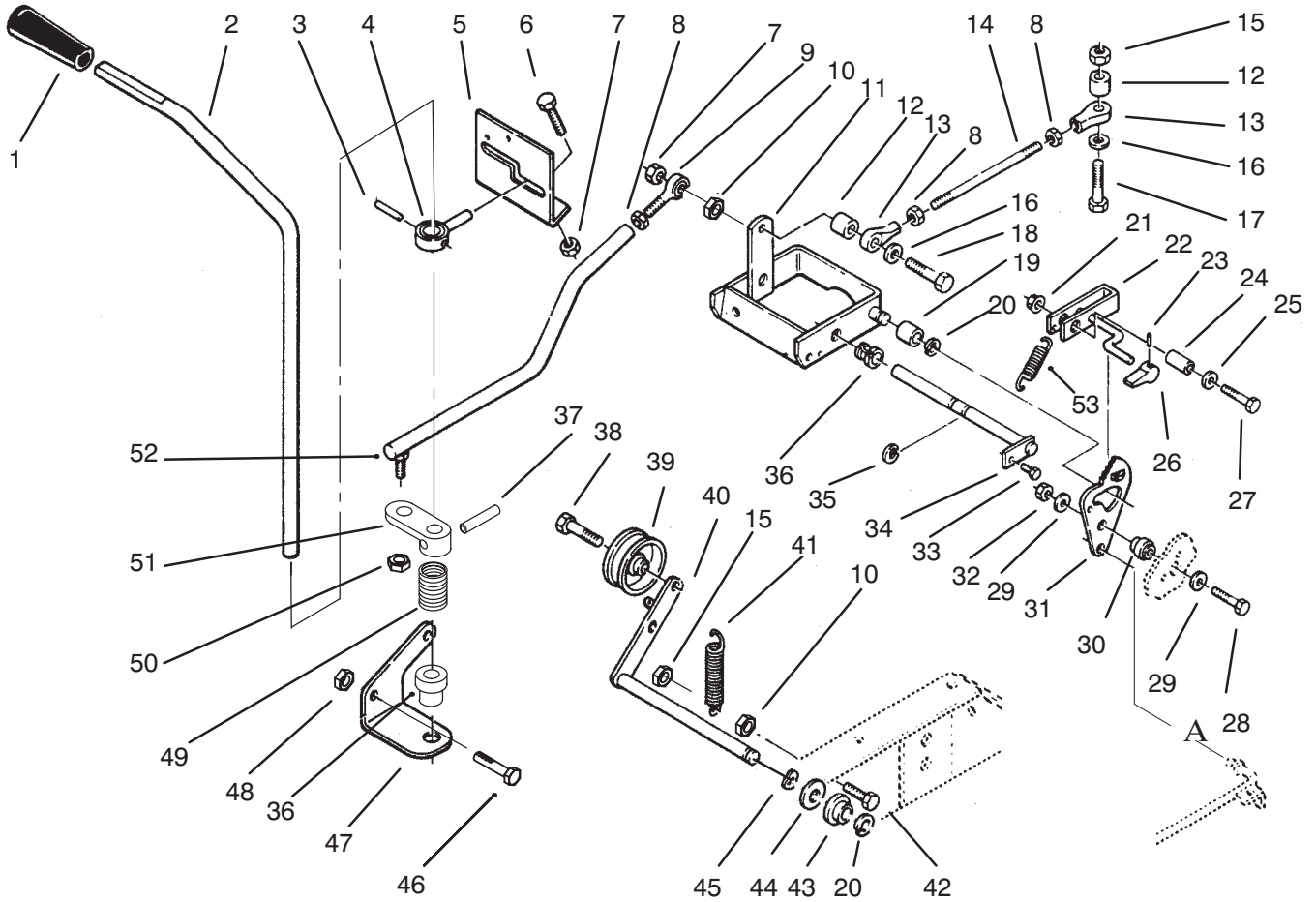


CLUTCH, BRAKE AND SPEED CONTROL LINKAGE

Ref. No.	Part No.	Description	No. Used
1	79-1350	Pedal - Brake	1
3	111383	Collar	1
4	3245-32	Screw - Set	1
6	103125	Spring - Brake Return	1
7	109372	Rod - Brake, Front	1
8	3272-11	Pin - Cotter	2
9	3296-39	Nut	1
10	3256-24	Washer	2
11	108680	Spring	1
13	106719	Drum - Brake	1
14	2844	Special Washer	1
15	323-23	Bolt	1

Ref. No.	Part No.	Description	No. Used
16	3235-22	Bolt	1
17	109371	Band - Brake	1
18	78-7740	Arm - Brake Pivot	1
19	109356	Bushing	1
20	323-9	Bolt	1
21	3296-39	Nut	1
22	3256-4	Washer	1
23	3256-6	Washer	2
24	3272-6	Pin - Cotter	2
25	1278	Washer - Shim	1
26	302-5	Fitting - Grease	1
27	933504	Pin - Cotter	1

Note : In Illustration Center lines A Continue on next page

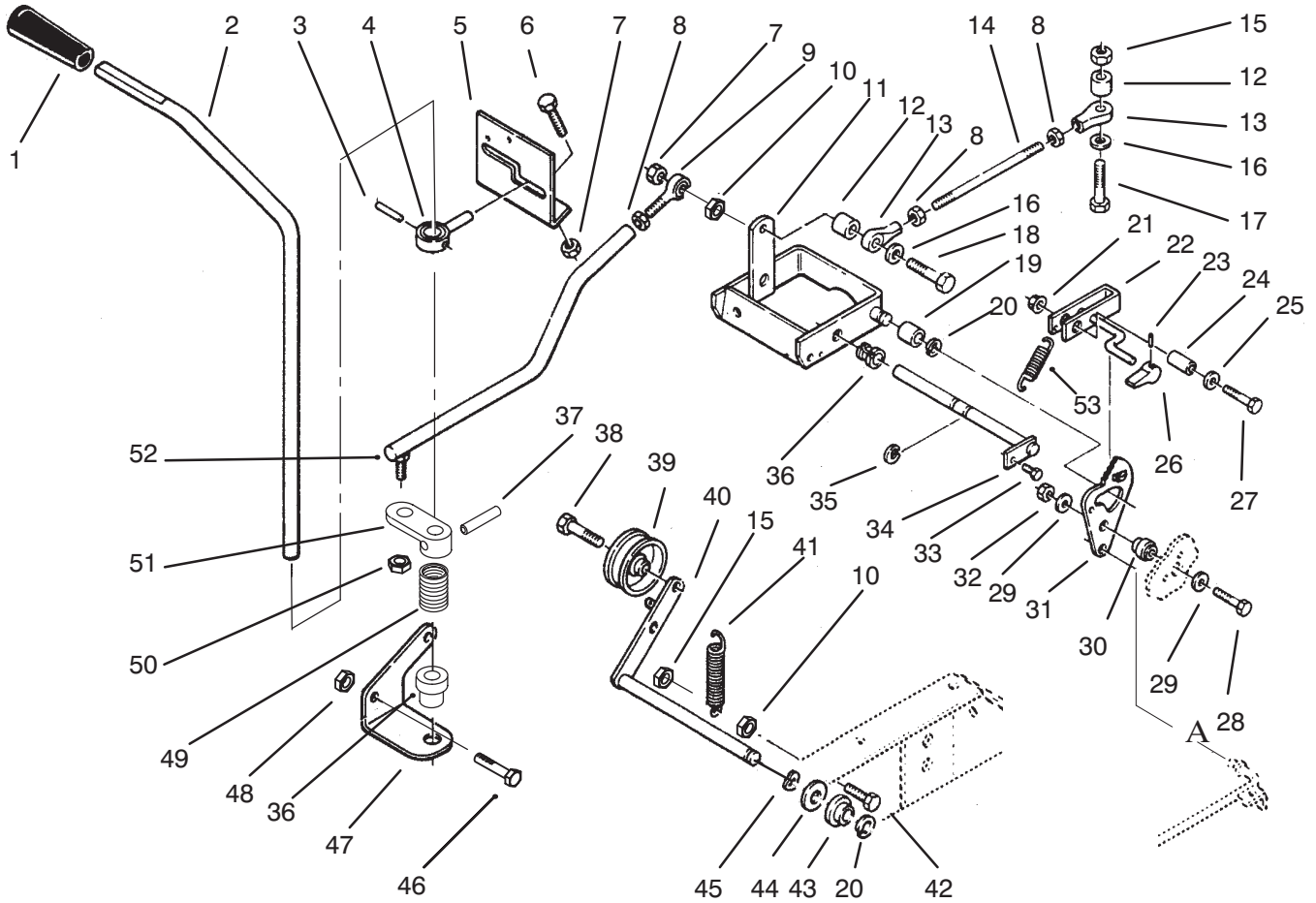


CLUTCH, BRAKE AND MOTION CONTROL LINKAGE

Ref. No.	Part No.	Description	No. Used
1	116635	Knob – Motion Control	1
2	78-5660	Lever – Motion Control	1
3	933198	Pin – Spirol	1
4	118660	Guide – Control	1
5	78-5631	Bracket – Control	1
6	321-4	Bolt	2
7	3296-42	Nut	4
8	3220-1	Nut	3
9	116407	Rod End	2
10	3217-5	Nut	2
11	113454	Control – Cam	1
12	100304	Spacer	2
13	110189	Rod End Asm	2
14	108904	Rod Control	1
15	32146-17	Nut	1
16	3256-22	Washer	2

Ref. No.	Part No.	Description	No. Used
17	321-9	Screw – Hex. Hd.	1
18	9114584	Bolt	2
19	100656	Bearing – Cam	1
20	32120-47	Ring – Retaining	4
21	102809	Nut – Special, Flanged	1
22	78-8500	Lever – Parking Brake	1
23	933135	Pin – Spirol	1
24	102025	Spacer	1
25	9202414	Washer	1
26	128860	Knob	1
27	323-9	Bolt	1
28	323-8	Bolt	1
29	3256-4	Washer	2
30	108717	Spacer	1
31	108716	Plate – Cam	1
32	3296-39	Nut	2

* Not Illustrated

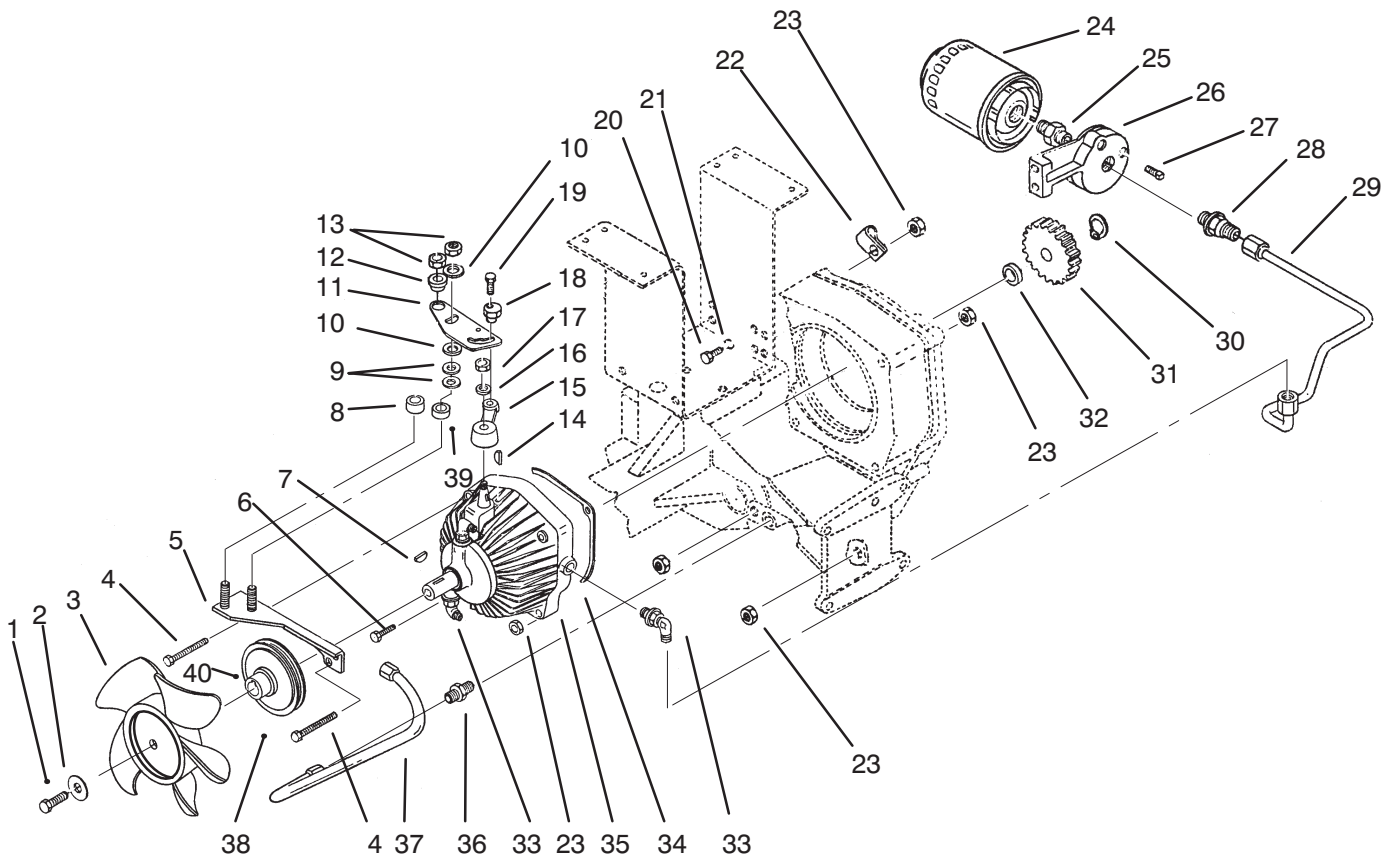


CLUTCH, BRAKE AND MOTION CONTROL LINKAGE

Ref. No.	Part No.	Description	No. Used
33	926694	Bolt	1
34	108496	Rod - Pivot	1
35	32120-47	Ring - Retaining	2
36	5983	Bushing	3
37	32312-94	Pin - Spirol	1
38	323-8	Screw - Hex. Hd.	1
39	112791	Pulley - Idler	1
40	78-6020	Rod - Pivot	1
41	107938	Spring	1
42	321-6	Bolt	1
43	7879	Bushing	1

Ref. No.	Part No.	Description	No. Used
44	3765	Washer - Shim	1
45	114823	Washer - Wave	2
46	322-3	Bolt	2
47	78-1540	Bracket - Control, Lower	1
48	3296-29	Nut	2
49	101938	Spring	1
50	3296-4	Nut	1
51	116321	Arm - Control	1
52	116324	Rod Assembly	1
53	83-2820	Spring	1

* Not Illustrated



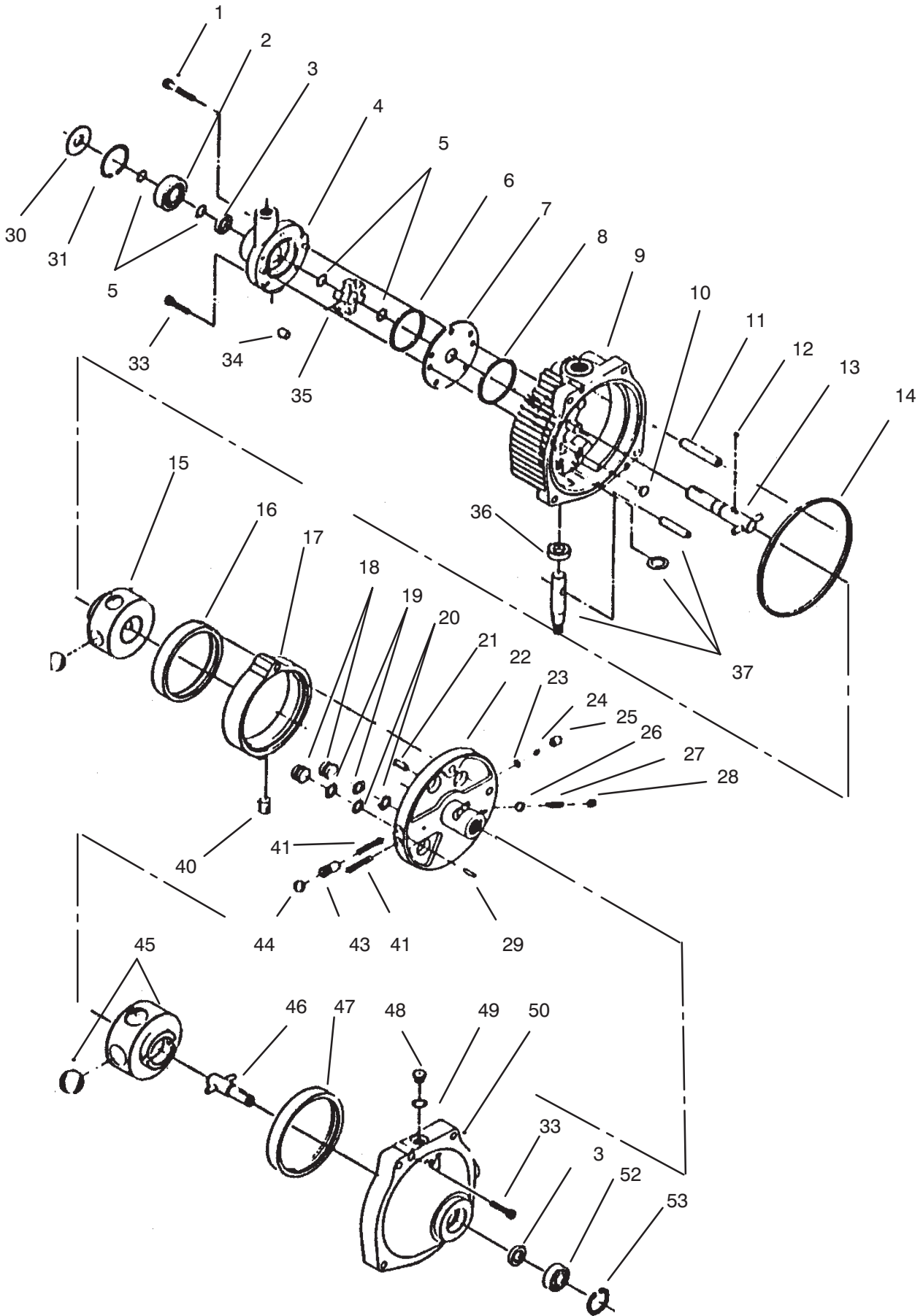
HYDROSTATIC TRANSMISSION

Ref. No.	Part No.	Description	No. Used
1	9080026	Bolt	1
2	103995	Washer – Special	1
3	108393	Fan	1
4	323-25	Screw – Cap Hex. Hd.	2
5	108329	Plate, Control	1
6	9080406	Screw – Cap Hex. Hd.	1
7	937089	Key – Hi-Pro	1
8	108326	Spacer – Pivot, Long	1
9	100365	Washer – Spring, Disc	2
10	100305	Washer – Friction	2
11	108333	Plate – Control, Speed	1
12	100309	Bushing – Pivot, Cam	1
13	108881	Nut	2
14	3257-24	Key – Woodruff	1
15	108325	Arm – Control, Speed	1
16	3256-26	Washer – Flat	1
17	3296-45	Nut – Lock	1
18	106661	Cam – Eccentric	1
19	9080196	Screw – Cap Hex. Hd.	1
20	322-3	Screw – Cap Hex. Hd.	2
21	3253-4	Washer – Lock	2

Ref. No.	Part No.	Description	No. Used
22	8830	"J"Clip	1
23	3296-39	Nut – Lock	4
24	79-5270	Filter – Oil	1
25	5991	Fitting – Filter	1
26	108323	Base – Filter	1
27	281-10	Plug – Pipe	3
28	102628	Fitting – Hyd., Straight (Incl. "O"Ring)	1
*	973370	"O"Ring	1
29	79-5020	Tube	1
30	32120-64	Ring – Retaining	1
31	109751	Gear – 20 Teeth	1
32	108366	Spacer – Drive, Gear	1
33	108365	Fitting – Hydraulic 90°	2
34	108319	Gasket – Pump	1
35	108368	Assembly – Pump & Motor	1
36	108364	Fitting – Hyd., Straight	1
37	111217	Tube – Suction	1
38	108316	Pulley – Transmission Drive	1
39	108327	Spacer – Pivot, Short	1
*40	3242-2	Screw – Set	2

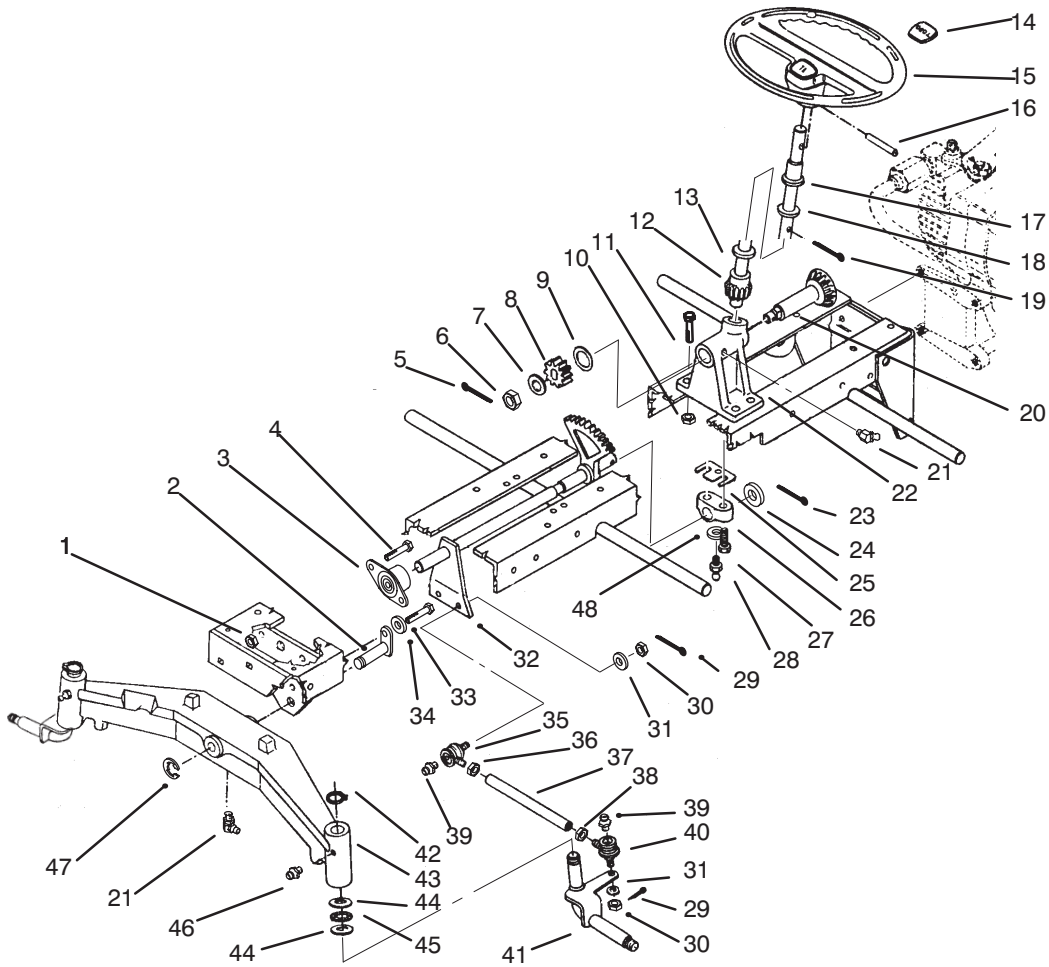
* Not Illustrated

EATON HYDROSTATIC TRANSMISSION # 1100-062



EATON HYDROSTATIC TRANSMISSION # 1100-062

Ref. No.	Part No.	Description	No. Used	Ref. No.	Part No.	Description	No. Used
1	56-2800	Screw – Hex. Hd. Soc.	1	28	56-3050	Plug – Relief Valve	1
2	56-2810	Bearing – Ball	1	29	56-3060	Pin – Dowel	1
3	56-2820	Seal	2	30	112652	Shield – Grass	1
4	112637	Housing – Pump Assembly (Incl. Ref.# 3)	1	31	112653	Ring – Retaining	1
5	56-3090	Ring – Retaining	4	33	56-3100	Screw – Soc. Hd.	6
6	56-2850	Ring – Seal	1	34	56-3110	Roller	6
7	56-2860	Plate – Pump	1	35	56-3120	Carrier	1
8	56-2870	Ring – Seal	1	36	56-3130	Seal – Oil	1
9	112641	Cover Assembly (Incl. Ref. #11, 36 & 37)	1	37	56-3140	Kit – Control Shaft	1
10	56-2880	Button	2	40	56-3170	Insert – Cam Ring	1
11	56-2890	Pin – Dowel	1	41	56-3180	Spring	2
12	56-2900	Pin – Drive	1	43	56-3200	Body – Acc. Valve	2
13	56-2980	Shaft – Input	1	44	56-3210	Ball	2
14	56-2920	Ring – Seal	1	45	56-3220	Rotor / Ball – Motor	1
15	56-2930	Rotor / Ball – Pump	1	46	56-3230	Shaft – Output	1
16	113136	Race – Pump	1	47	56-3240	Race – Motor	1
17	93-9810	Ring – Cam	1	48	56-3250	Plug – Asm (Incl. Ref. #49)	1
18	56-2950	Piston	2	49	56-3260	"O"Ring	1
19	56-2960	Ring – Back Up	2	50	93-9811	Body Assembly	1
20	56-2970	"O"Ring	2	52	56-3280	Bearing – Output	1
21	56-2980	Pin – Coil	1	53	56-3290	Ring – Retaining	1
22	56-2990	Pintle Assembly (Incl. Ref. #1, 18-21, 23-29 41, 43 & 44)	1	56	56-2940	Ring – Cam (Incl. Ref.#16-17)	1
23	56-3000	Ring – Retaining	2	*	56-3310	Kit – Seal, Overhaul (Incl. Ref.# 3, 6, 8, 14, 19, 20, 36, & 49)	1
24	56-3010	Ball	2	*	93-9812	Body Assembly (Incl. Ref. # 3, 33, 46-50. 52, 53 & 57)	1
25	56-3020	Body – Check Valve	2				
26	56-3030	Ball	1				
27	56-3040	Spring – Relief Valve	1				

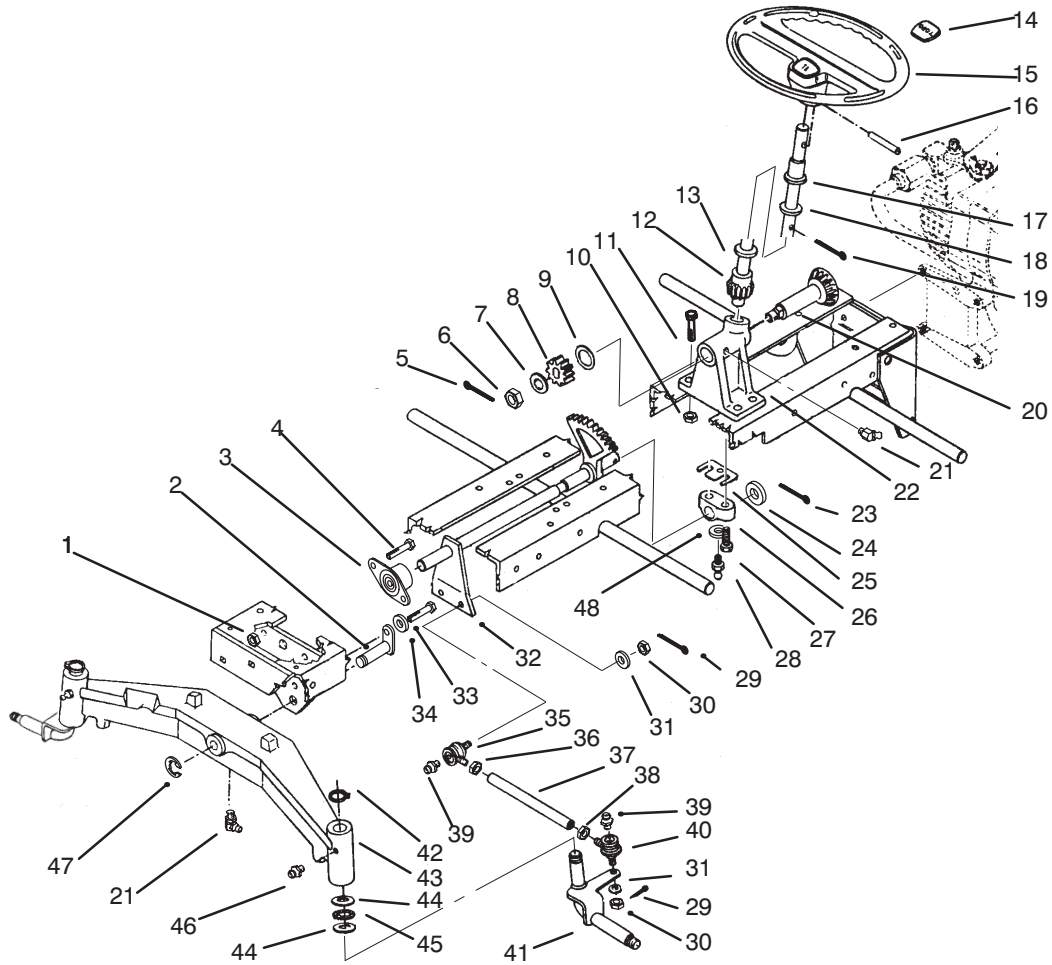


FRONT AXLE AND STEERING

Ref. No.	Part No.	Description	No. Used
1	3296-39	Nut	2
2	6216	Pin & Plate	1
3	6472	Bearing - Flanged	1
4	323-6	Bolt	2
5	3272-11	Pin - Cotter	1
6	915032	Nut	1
7	3256-26	Washer	1
8	78-1481	Pinion	1
9	9202624	Washer	1
10	3296-39	Nut	4
11	323-9	Bolt	6
12	92-0995	Shaft - Upper Steering	1
13	237-69	"O"Ring	1
14	78-0370	Insert - Logo	1

Ref. No.	Part No.	Description	No. Used
15	76-1420	Steering Wheel (Incl. Ref. #14)	1
16	32121-111	Pin - Spirol	1
17	109189	Flange - Bearing	1
18	5210	Washer - Shim	6
19	3272-21	Pin - Cotter	1
20	78-1450	Shaft	1
21	1481	Fitting - Grease, 45°	2
22	78-1411	Support - Steering	1
23	3272-22	Pin - Cotter	1
24	9202164	Washer	1
25	78-1531	Shim 0.010	3
26	88-3240	Block - Bearing	1
27	9080376	Bolt	2

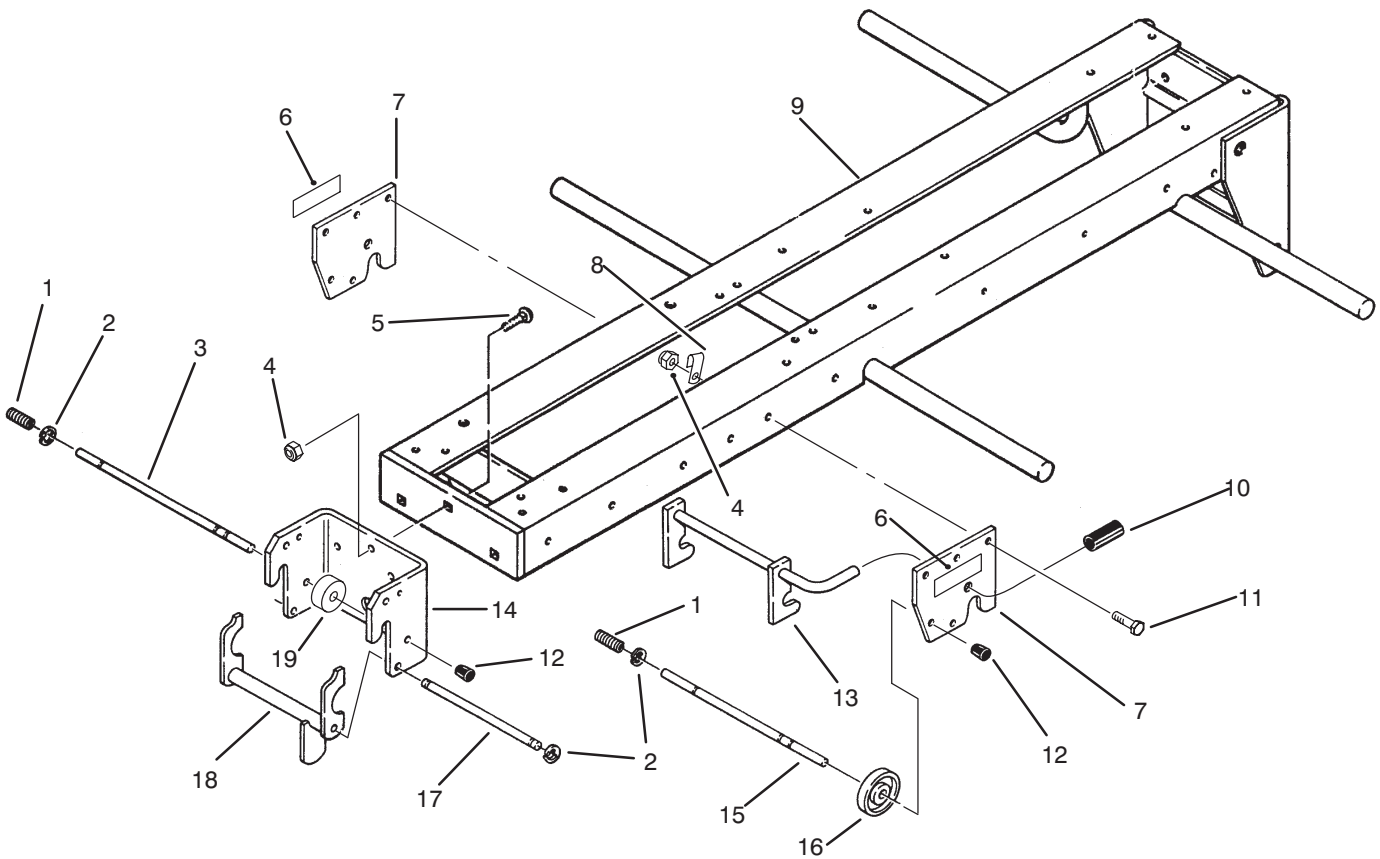
*Not ILLUSTRATED



FRONT AXLE AND STEERING (Continued)

Ref. No.	Part No.	Description	No. Used	Ref. No.	Part No.	Description	No. Used
28	302-16	Fitting - Grease	1	39	302-5	Fitting - Grease	4
29	3272-7	Pin - Cotter	4	40	112771	Tie Rod End - Thread LH (Incl. Ref. #30)	2
30	915031	Nut	4	41	112764	Spindle - Front, RH	1
31	920242	Spacer	4	*	112765	Spindle - Front, LH	1
32	78-1490	Shaft - Lower Steering	1	42	32151-29	Ring - Retaining	2
33	322-1	Bolt	1	43	116823	Axle - Front	1
34	3253-4	Washer - Lock	1	44	9548	Washer - Thrust	4
35	112772	Tie Rod End - Thread RH (Incl. Ref. #30)	2	45	9865	Bearing - Thrust	2
36	3220-11	Nut	2	46	302-5	Fitting - Grease, Straight	2
37	112773	Tube	2	47	5618	Ring - Retaining	1
38	112775	Nut - Thread LH	2	48	3254-8	Washer - Lock	1

*Not ILLUSTRATED

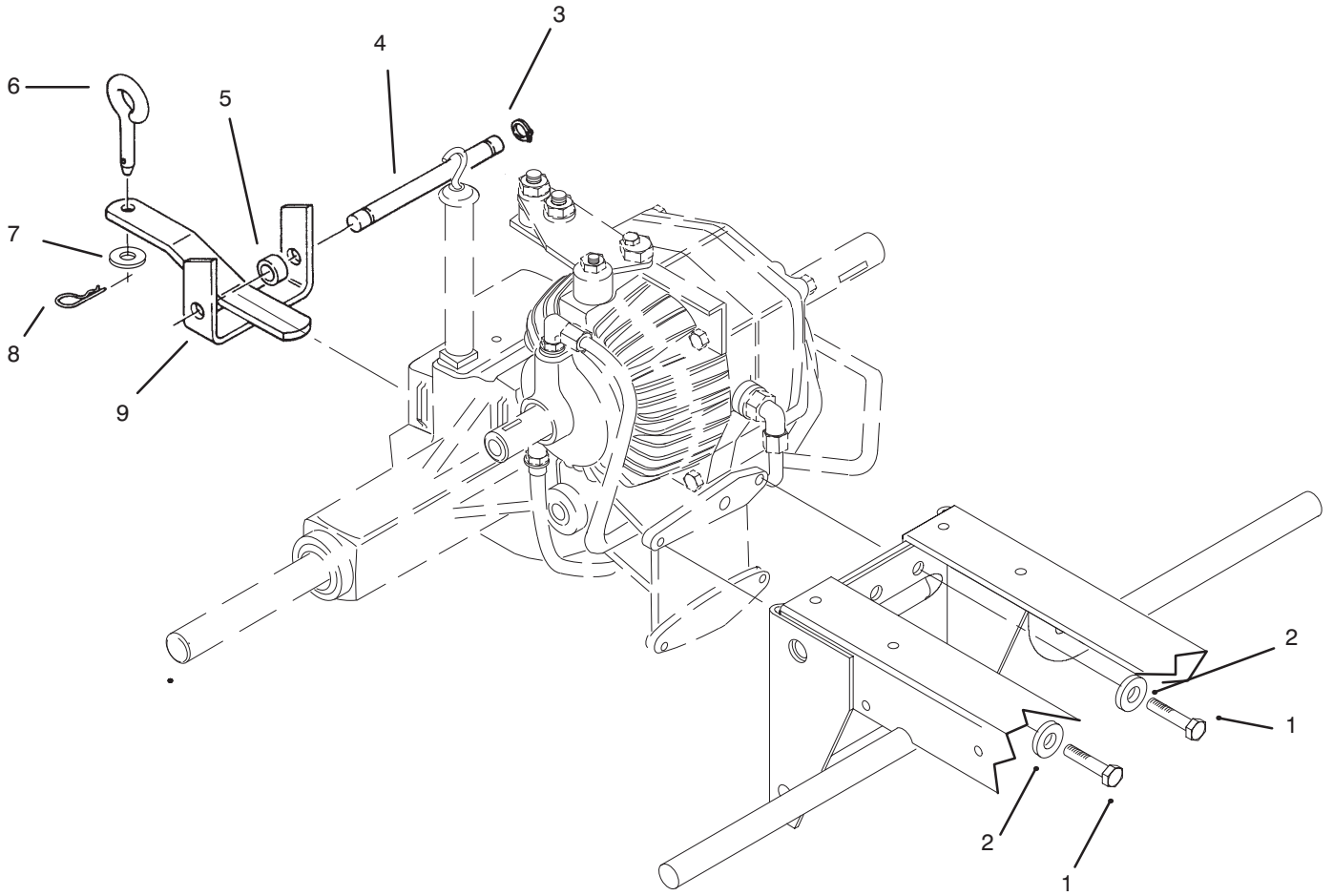


C-2056

FRAME AND HITCH ASSEMBLY

Ref. No.	Part No.	Description	No. Used
1	8616	Spring	2
2	105797	Ring - Retaining	8
3	101751	Rod - Front Hitch Lock	1
4	3296-39	Nut - Lock	9
5	3231-25	Bolt - Carriage	3
6	92-8747	Decal - Attach-A-Matic	2
7	102644	Plate - Mid Hitch	2
8	8830	Clip	1
9	78-2680	Frame	1
10	9038	Grip	1

Ref. No.	Part No.	Description	No. Used
11	323-44	Screw - Cap Hex. Hd.	6
12	105316	Cap - Lock Rod	2
13	117930	Latch - Mid Hitch	1
14	101711	Housing - Front Hitch	1
15	83-6520	Rod - Lock	1
16	101017	Lock	1
17	101750	Rod	1
18	93-1613	Latch - Front Hitch	1
19	101707	Lock	1



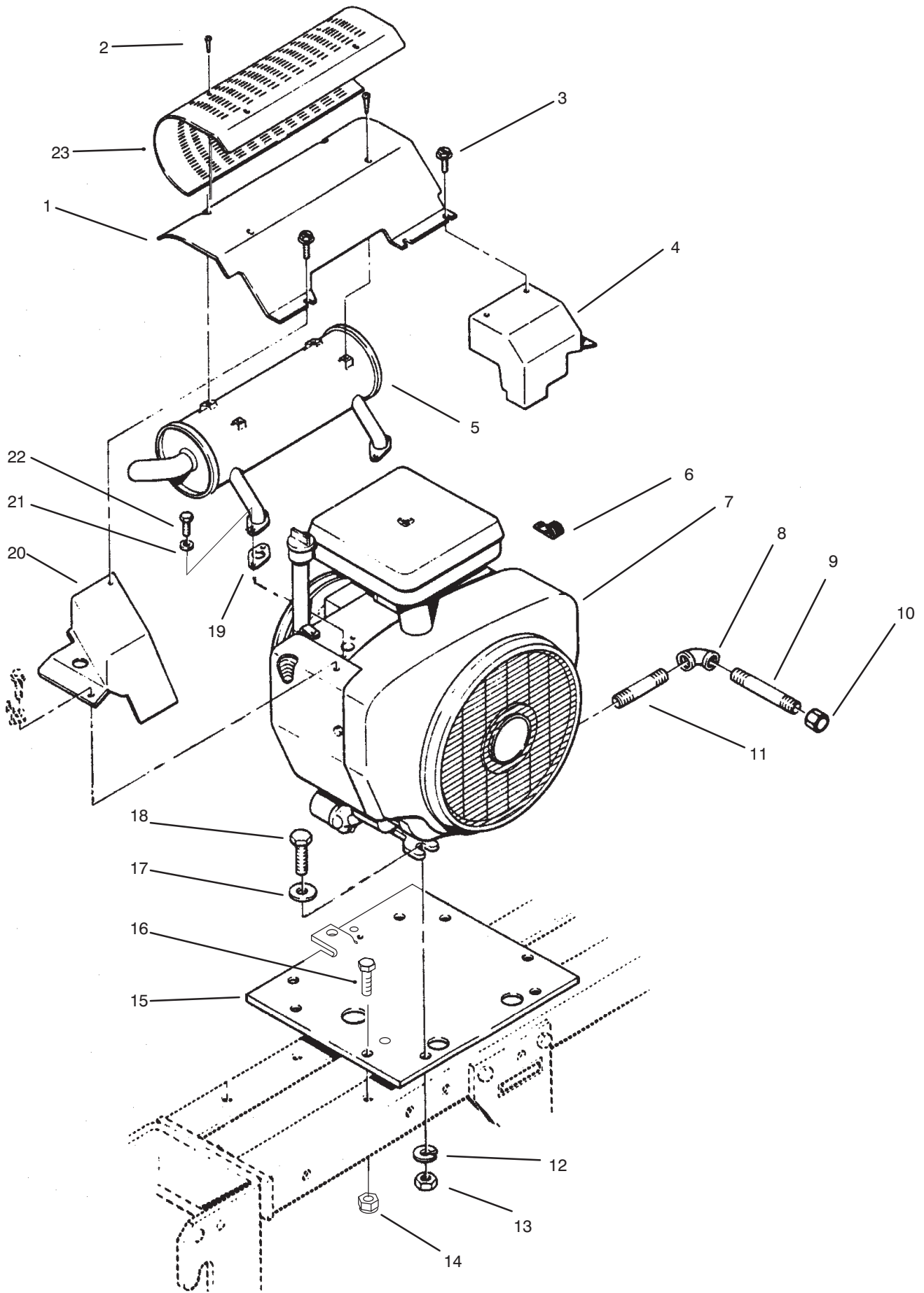
C-2218

REAR HITCH ASSEMBLY

Ref. No.	Part No.	Description	No. Used
1	323-5	Screw - Cap Hex. Hd.	4
2	3253-21	Washer - Lock	4
3	5618	Ring - Retaining	2
4	105269	Shaft - Drawbar Hitch	1
5	979120	Spacer	2

Ref. No.	Part No.	Description	No. Used
6	106634	Pin - Hitch	1
7	3256-26	Washer - Flat	1
8	933505	Hairpin - Cotter	1
9	1644	Hitch - Drawbar	1

ENGINE AND EXHAUST

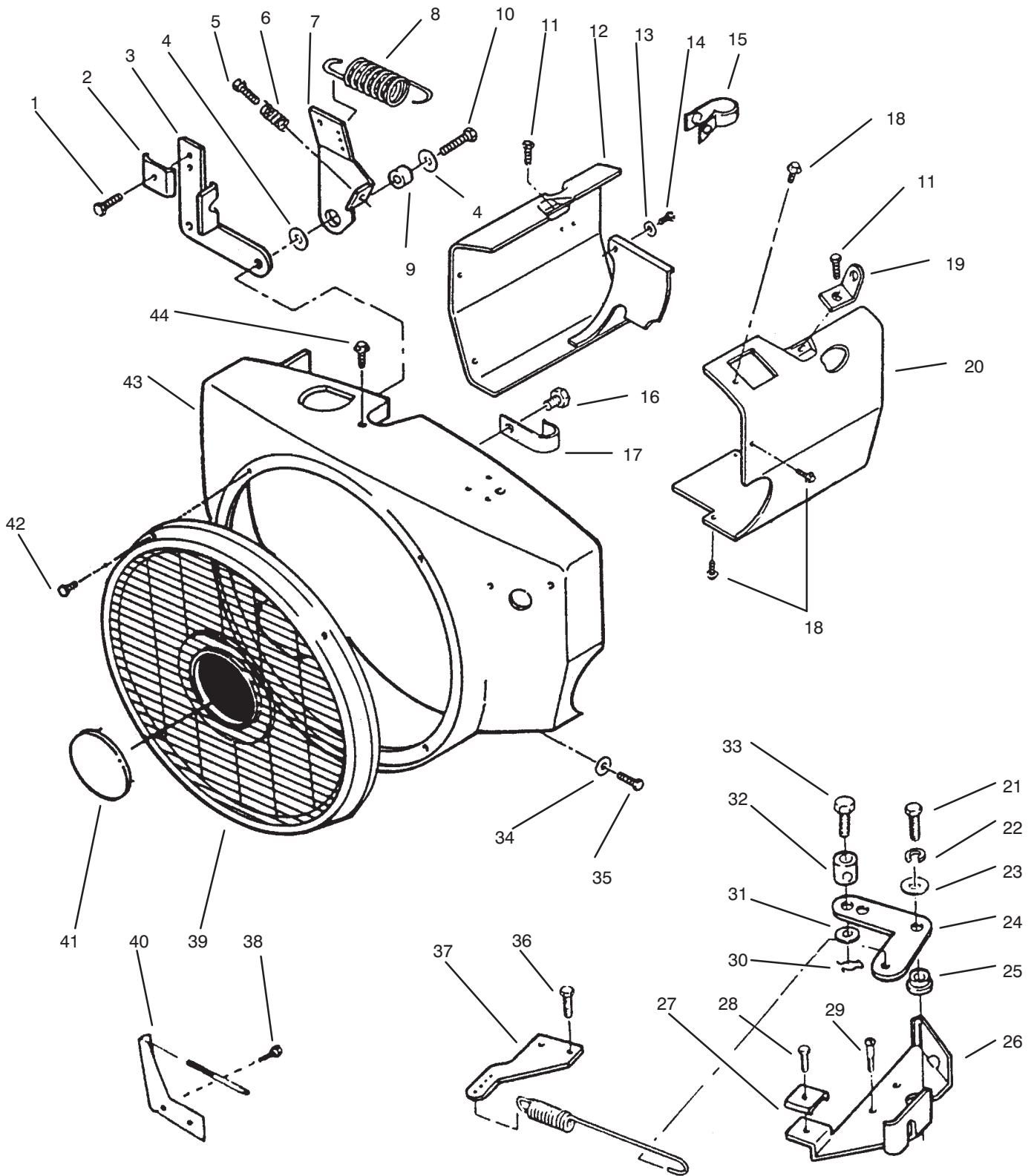


ENGINE AND EXHAUST

Ref. No.	Part No.	Description	No. Used
1	114217	Deflector – Air	1
2	114888	Screw	6
3	12-3270	Screw – Hex. Hd.	3
4	114216	Cover – Exhaust, Rear	1
5	116471	Muffler	1
6	8830	Clip	1
7	79-5220	Engine – 20HP	1
8	114764	Elbow 90°	1
9	114763	Pipe	1
10	288-4	Cap	1
11	114636	Nipple	1
12	3253-21	Washer – Lock	4

Ref. No.	Part No.	Description	No. Used
13	3217-7	Nut	4
14	3296-39	Nut	4
15	116609	Plate – Engine	1
16	323-7	Screw – Cap Hex. Hd.	4
17	3256-24	Washer – Flat	4
18	323-8	Screw – Cap Hex. Hd.	4
19	57-9210	Gasket – Exhaust	2
20	114215	Cover – Exhaust, Front	1
21	3253-4	Washer – Lock	4
22	322-3	Screw – Cap Hex. Hd.	4
23	115783	Shield – Muffler	1

BLOWER HOUSING AND GOVERNOR



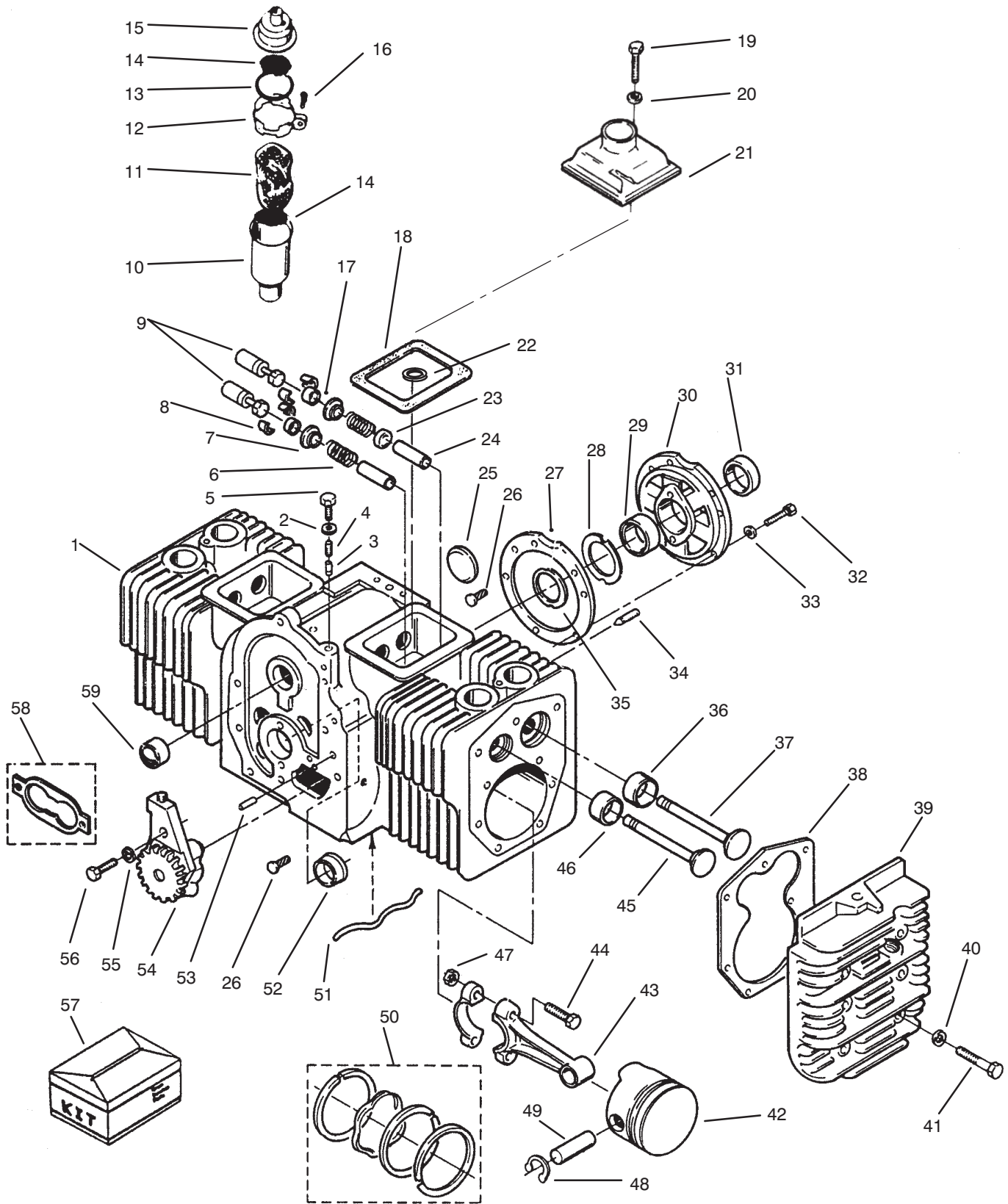
C-2060

BLOWER HOUSING AND GOVERNOR

Ref. No.	Part No.	Description	No. Used
1	72-3900	Screw - Tapping Hex Hd.	1
2	57-9190	Clamp - Cable	1
3	NN10508	Bracket - Cable	1
4	59-0830	Washer - Flat	2
5	59-1030	Screw - Tapping Hex. Hd.	1
6	59-0430	Spring - Idle Setting	1
7	79-6370	Arm - Governor Control Without Swivel	1
8	57-9100	Spring - Governor	1
9	57-9120	Bushing - Control Arm	1
10		Screw	1
11	82-1600	Screw - Cap Hex Fl. Hd.	2
12	92-0920	Housing - Cylinder Air, LH	1
13	59-0830	Washer - Flat	2
14	59-0980	Screw - Tapping, Wash. Hd.	2
15	59-0580	Clamp - Wire, Alternator	1
16	82-1540	Screw - Hex. Washer Hd.	1
17	71-6220	Clip - Wire	1
18	59-1080	Screw - Cap Hex. Fl. Hd.	4
19	71-6080	Bracket - Lift	2
20	92-0921	Housing - Cylinder Air, RH	1
21	82-1370	Screw - Hex. Hd.	1
22	82-1620	Washer - Lock	1

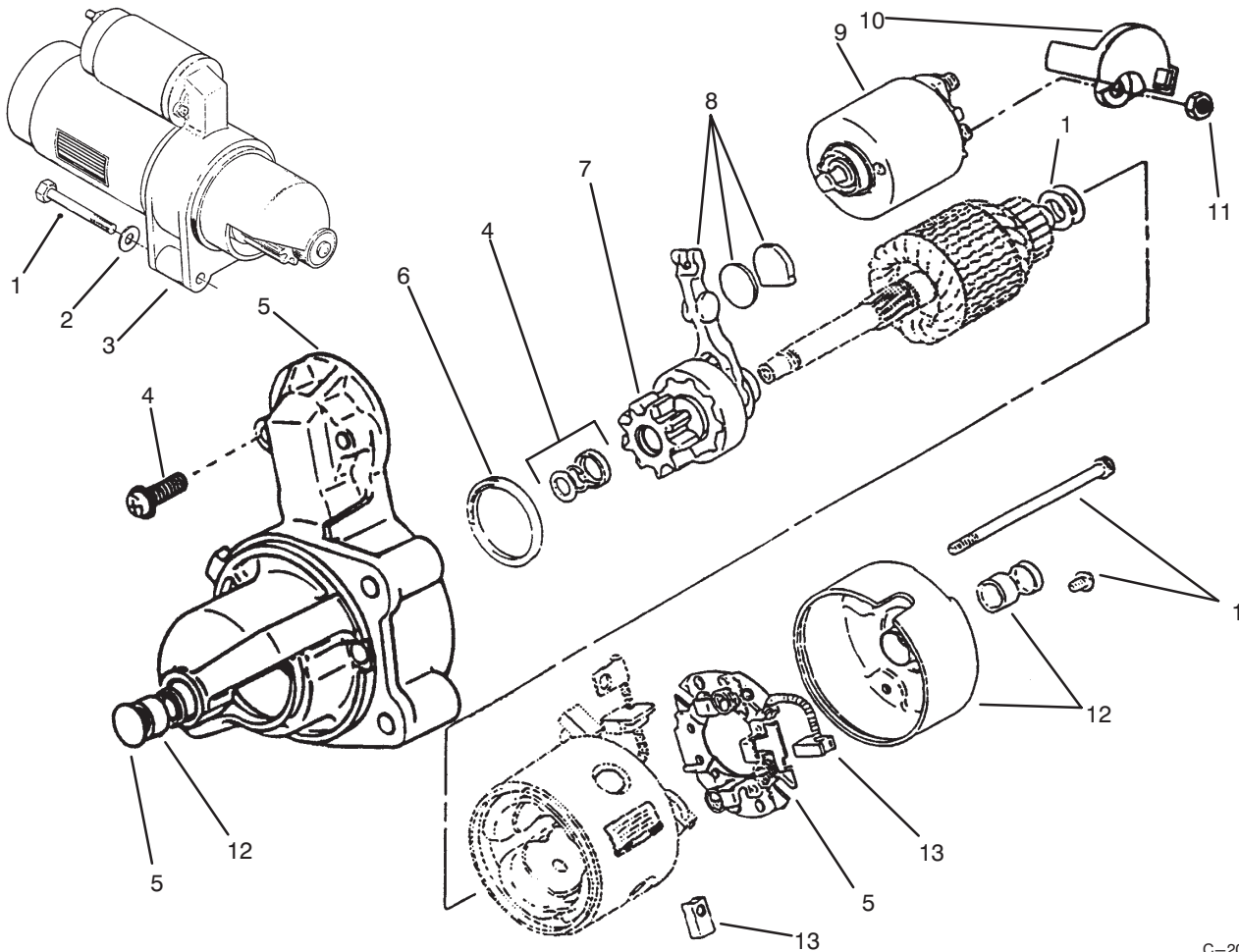
Ref. No.	Part No.	Description	No. Used
23	59-0830	Washer - Flat	1
24	201256	Link - Governor Control	1
25	79-6400	Bushing - Gov. Control	1
26	79-6390	Bracket - Gov. Control	1
27	57-9190	Clamp - Cable	1
28	59-1010	Screw - Self Tap. Fl. Hd.	1
29	201327	Screw	3
30	59-0720	Pin - Cotter	1
31		Washer	1
32	57-9120	Swivel - Throttle Lever	1
33	72-3890	Screw - Hex. Hd.	1
34	59-0820	Washer - Flat	4
35	59-0980	Screw - Tapping, Fl. Hd.	4
36	59-1050	Screw - Self Tap. Fl. Hd.	1
37	79-6420	Adapter - Governor Arm	1
38	59-1100	Screw - Lock Hd.	2
39	82-0620	Guard - Stationary	1
40	NN10832	Bracket - Governor Adjust	1
41	118530	Plate - Toro Logo	1
42	82-1590	Screw - Pan Hd. Taptite	4
43	NN10769	Housing - Blower	1
44	59-0970	Screw - Tapping, Fl. Hd.	2

ENGINE CYLINDER BLOCK



ENGINE CYLINDER BLOCK

Ref. No.	Part No.	Description	No. Used	Ref. No.	Part No.	Description	No. Used
1	92-0900	Block - Cylinder (Short)	1	38	57-8330	Gasket - Cylinder Head	2
2	57-9760	Washer - Flat, Copper	1	39	79-6280	Head - Cylinder	2
3	57-8470	Plunger - Bypass Valve	1	39	59-0180	Side - Right	1
4	59-0280	Spring - Bypass Valve	1	39	71-5810	Side - Left	1
5	59-0910	Screw - Cap Hex Hd.	1	40	57-9770	Washer - Flat	18
6	71-5790	Spring - Valve	4	41	59-0900	Screw - Cap Hex Hd	18
7	71-5800	Washer - Valve Spring	4	42		Piston (Incl. Ref. #48-49)	
8	NN10082	Lock - Valve Spring	8	42	82-1800	Standard	2
9		Tappet - Valve		42	92-0902	.010" Oversize	2
9	57-8450	Standard	4	42	92-0903	.020" Oversize	2
9	59-0260	.002" Oversize	4	42	92-0904	.030" Oversize	2
10	82-0540	Tube - Breather	1	43		Rod - Connecting	
11	57-8580	Baffle - Breather Tube	1			(Incl. Ref. #44 & 47)	
12	82-0530	Clamp - Tube, Breather	1	43	57-8420	Standard	2
13	82-0570	"O" Ring - Cap, Breather	1	43	57-8430	.010" Undersize	2
14	82-0560	Screen - Tube, Breather	2	43	57-8440	.020" Undersize	2
15	82-0550	Cap & Valve - Breather	1	43	59-0250	.030" Undersize	2
16	82-1480	Screw - Tapping Round Hd.	1	44	57-8410	Bolt - Connecting Rod	4
17	71-5830	Cap - Valve	4	45	71-5780	Valve - Exhaust	2
18	57-8280	Gasket - Valve Cover	2	46		Insert - Valve Seat, Exhaust	
19	NN10370	Screw - Cap Hex Hd.	2	46	59-0100	Standard	2
20	57-9740	Washer - Flat, Copper	2	46	59-0110	.002" Oversize	2
21	NN10821	Cover - Valve	1	46	59-0120	.005" Oversize	2
22	59-0820	Washer - Flat	1	46	59-0130	.010" Oversize	2
23	71-6180	Seal - Intake Valve	2	46	59-0140	.025" Oversize	2
24	71-6250	Guide - Valve, Exhaust	2	47	57-9790	Nut	4
24	71-6260	Guide - Valve, Intake	2	48	57-9720	Ring - Retaining	4
25	57-9690	Plug - Welch, Camshaft	1	49	71-6310	Pin - Piston	2
26	59-0730	Pin - Drive, Bearing Stop	4	50		Kit - Ring, Piston	
27	57-8010	Gasket - Bearing Plate	1	50	92-0905	Standard	2
28	57-8170	Shim - Crankshaft .005"	A/R	50	92-0906	.005" Oversize	2
29		Bearing - Crankshaft, Rear		50	92-0907	.010" Oversize	2
		(Incl. Ref. #35)		50	92-0908	.020" Oversize	2
29	57-8050	Standard	1	50	92-0909	.030" Oversize	2
29	59-0020	.002" Undersize	1	51	59-0290	Tube - Oil, Cylinder Block	1
29	57-8060	.010" Undersize	1	52		Bearing - Crankshaft, Front,	
29	59-0030	.020" Undersize	1			Flanged	
29	59-0040	.030" Undersize	1	52	57-8020	Standard	1
30	82-0020	Plate - Bearing, Rear	1	52	57-9360	.002" Undersize	1
31	57-9590	Seal - Oil, Crankshaft Rear	1	52	57-8030	.010" Undersize	1
32	59-0880	Screw - Cap Flanged Hd.	5	52	57-9800	.020" Undersize	1
33	3253-5	Washer	5	52	59-0010	.030" Undersize	1
33	82-1310	Washer - Lock	5	53	59-0750	Pin - Alignment, Gear Cover	2
34	3247-4	Setscrew - Socket Hd.	2	54	57-8480	Pump - Oil	1
35	57-8160	Washer - Thrust	2	55	82-1340	Washer - Flat	2
36		Insert - Valve Seat, Intake		56	82-1370	Screw - Cap Hex. Hd.	2
36	59-0050	Standard	2	57	71-6290	Kit - Gasket Complete	1
36	59-0080	.010" Oversize	2	58	57-8460	Gasket Kit - Oil Pump	1
37	71-5770	Valve - Intake	2	59	57-8000	Bearing - Camshaft	2

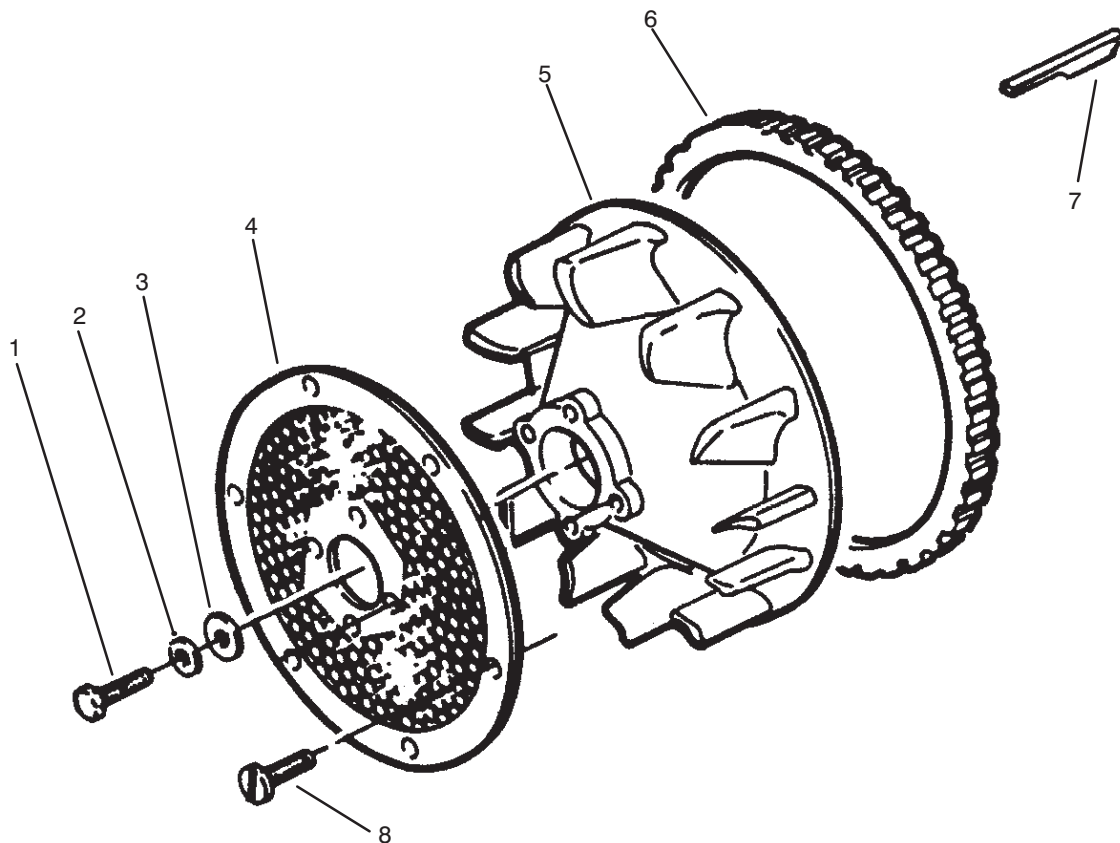


C-2073

STARTER

Ref. No.	Part No.	Description	No. Used
1	79-6580	Screw - Cap Hex. Hd.	2
2	57-9770	Washer - Flat	2
3	71-6040	Starter - Solenoid Shift, (Code 33AT)	1
4	62-2760	Kit - Hardware, Starter (Includes (2) Solenoid Mtg Screws, 2 Thru Bolts, Armature Shims, Pinion Collar, & Retaining Ring)	1
5	NN10929	Kit - Mounting Bracket (Incl. Ref. #13)	1
6	NN10886	Seal - Dust	1
7	72-3940	Assembly - Clutch, Starter (Includes Pinion Gear)	1

Ref. No.	Part No.	Description	No. Used
8	62-2770	Kit - Shift Lever, Starter (Includes Lever, Wear Plate & Rubber Plug)	1
9	72-3930	Kit - Solenoid, Starter (Includes Solenoid & Spring Plunger)	1
10	NN10930	Cap - Starter, Solenoid	1
11	82-1350	Nut	1
12	62-2760	Kit - Bushing, Starter (Incl. Rear Cap with Bushing & Front Bushing)	1
13	62-2740	Kit - Brush, Starter (Includes (2) Negative & (1) Positive Brushes)	1

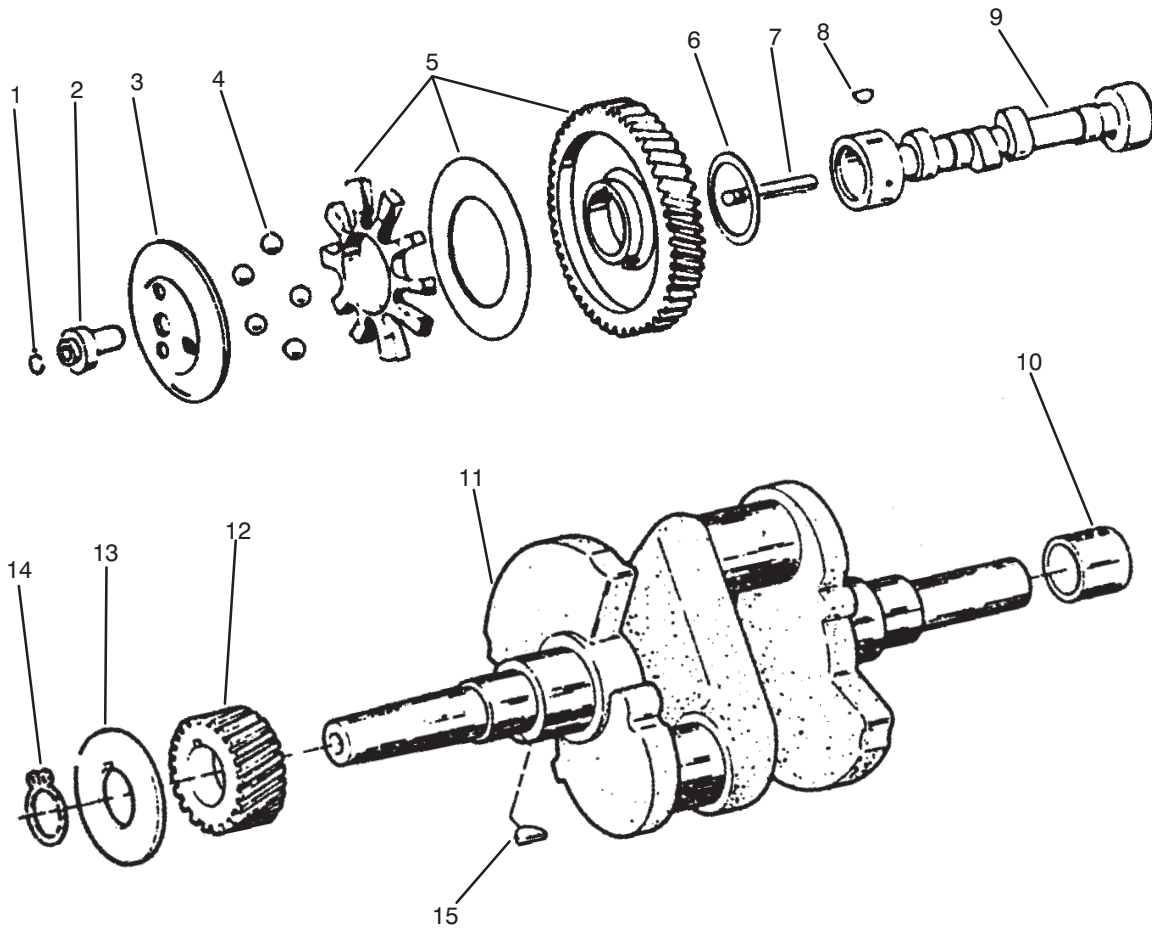


C-2062

BLOWER SCREEN & RING

Ref. No.	Part No.	Description	No. Used
1	57-8150	Screw - Cap Hex Hd.	1
2	82-1320	Washer - Flat	1
3	59-0810	Washer - Flat	1
4	79-6440	Screen - Air Inlet	1
5	71-5920	Flywheel (Incl. Ref. #6)	1

Ref. No.	Part No.	Description	No. Used
6	57-8180	Gear - Ring	1
7	71-6190	Key - Flywheel	1
8	71-6340	Screw	6

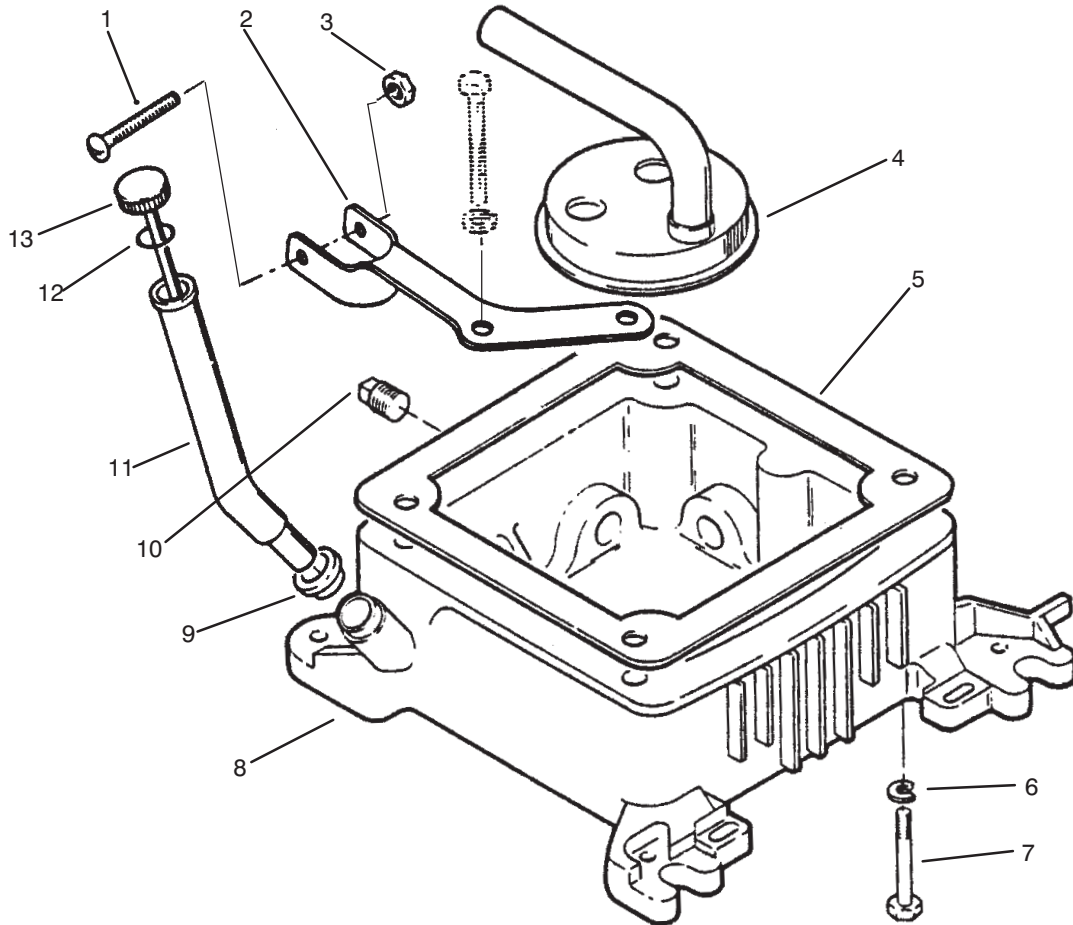


C-2063

CAMSHAFT & CRANKSHAFT

Ref. No.	Part No.	Description	No. Used
1	57-9090	Ring - Retaining	1
2	57-9130	Hub - Governor Cup	1
3	59-0450	Cup - Governor	1
4	57-9640	Ball - Governor	5
5	57-8210	Gear - Camshaft (Incl. Gear, Spacer, & Plate)	1
6	57-8230	Washer - Thrust, Special	1
7	59-0400	Pin - Center	1
8	57-9660	Key - Woodruff	1

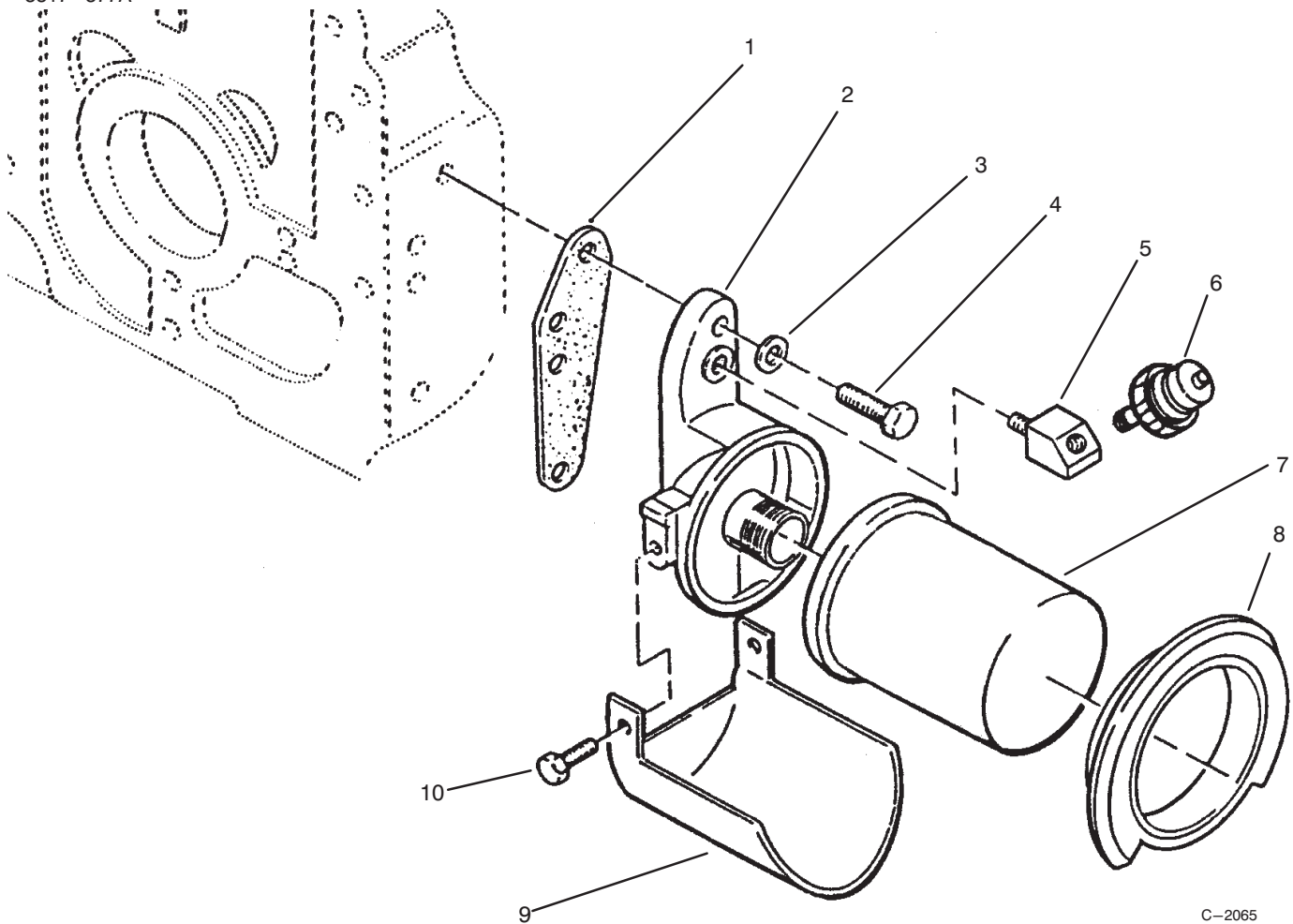
Ref. No.	Part No.	Description	No. Used
9	71-6320	Camshaft (Incl. Ref. #7)	1
10	92-0911	Sleeve - Bearing	1
11	NN10773	Crankshaft (Incl. Ref. #15)	1
12	57-8130	Gear - Crankshaft	1
13	57-8140	Washer - Gear	1
14	57-9710	Ring - Retaining	1
15	57-9660	Key - Crankshaft Gear	1



C-2064

OIL FILL TUBE, BRACKET & BASE

Ref. No.	Part No.	Description	No. Used	Ref. No.	Part No.	Description	No. Used
1	82-1560	Screw - Pan Hd.	1	9	71-6170	Seal - Oil Fill Tube	1
2	79-6460	Bracket - Fill Tube	1	10	82-1130	Plug - Sq. Hd.	2
3	82-1700	Nut - Speed Type U	1	11	NN10448	Tube - Oil Fill	1
4	57-8490	Cup - Intake, Oil Pump	1	12	57-9610	"O"Ring	1
5	57-8090	Gasket - Oil Base	1	13	NN10159	Cap & Indicator - Oil Fill (Incl. Ref. #12)	1
6	82-1310	Washer - Flat	4				
7	NN10379	Screw - Cap Hex Hd.	4				
8	71-5730	Base - Oil (Incl. Ref. #10)	1				

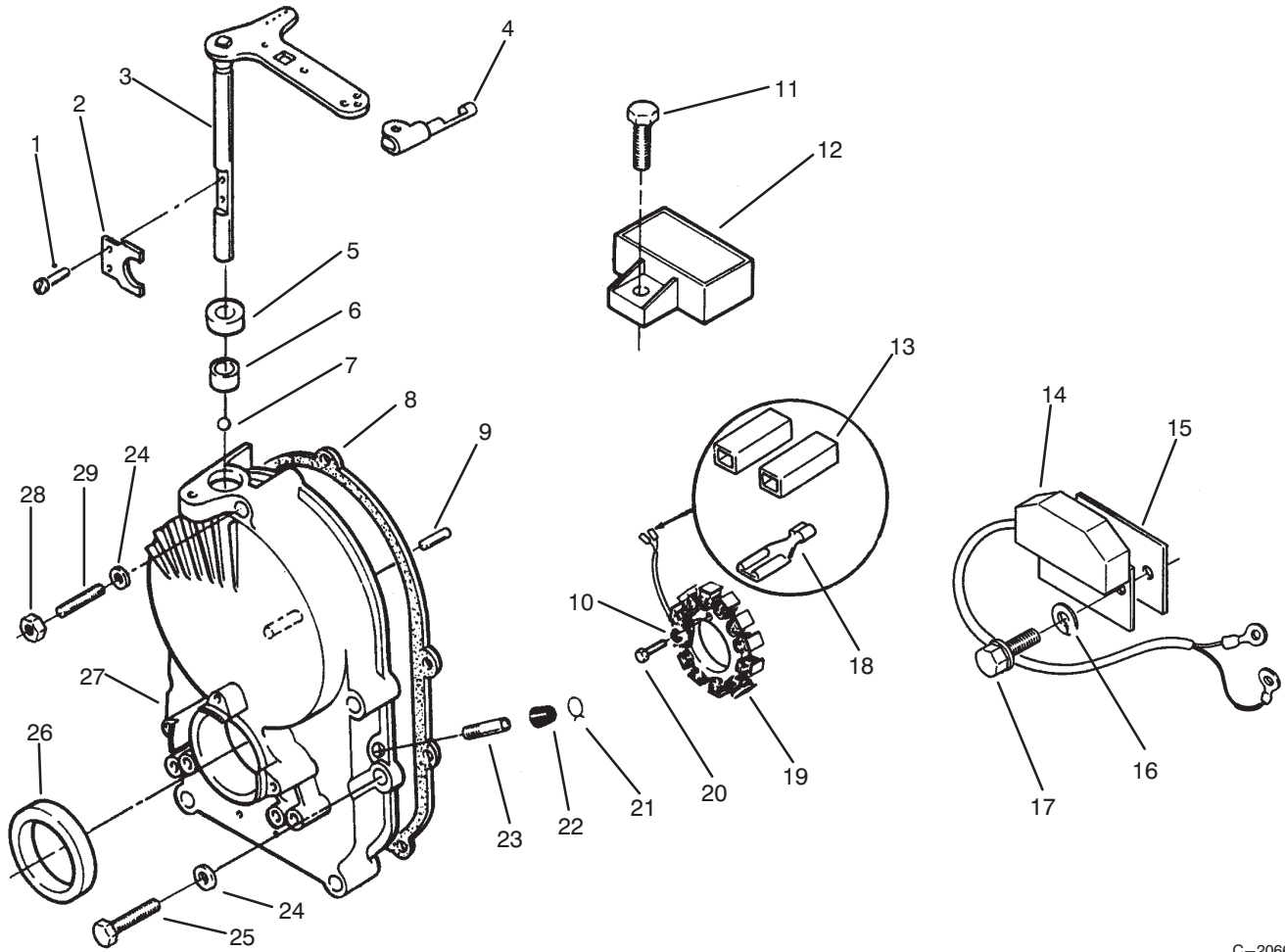


C-2065

OIL FILTER AND LOW OIL PRESSURE CUT-OFF SWITCH

Ref. No.	Part No.	Description	No. Used
1	79-6470	Gasket - Oil Filter Adapter	1
2	82-0500	Adapter - Oil Filter	1
3	57-9750	Washer - Flat	2
4	NN10373	Screw - Cap Hex Hd.	2
5	92-0912	Elbow - Street 45°	1

Ref. No.	Part No.	Description	No. Used
6	NN10824	Switch - Low Oil Pressure	1
7	NN10143	Filter - Oil	1
8	82-0680	Filter - Gasket Oil	1
9	NN10894	Drain - Oil Filter	1
10	82-1510	Screw - Cap Hex. Hd.	2

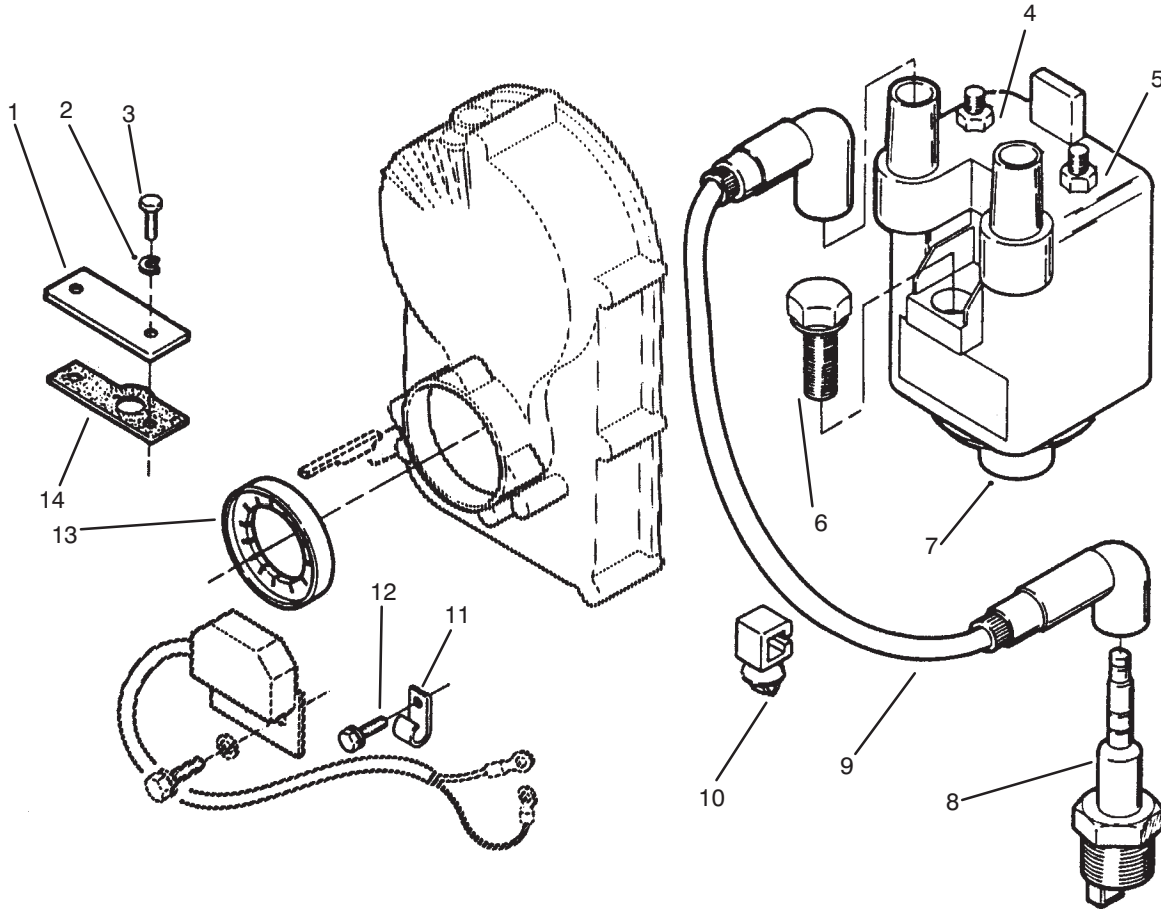


C-2066

GEARCASE & IGNITION CONTROLS

Ref. No.	Part No.	Description	No. Used
1	59-0950	Screw - Mach. Pan Hd.	2
2	59-0420	Yoke - Governor Shaft	1
3	NN10826	Shaft & Arm - Governor	1
4	57-9730	Clip - Retaining, Control Rod To Governor Shaft	1
5	57-9570	Seal - Oil, Governor Shaft	1
6	57-9650	Bearing - Governor Shaft	1
7	57-9630	Bearing - Ball, Gov. Shaft	1
8	NN10895	Gasket - Gearcase Mtg.	1
9	59-0740	Pin - Dowel, Governor	1
10	3253-2	Washer - Lock	3
11	59-1080	Screw - Cap Hex. Wash. Hd.	1
12	57-9430	Regulator - Voltage 20 Amp	1
13	82-1000	Body - Terminal Conn. Kit (Incl. Ref. #18)	2
14	71-6380	Control - Ignition	1
15	71-6410	Insulator - Ignition, Module	1

Ref. No.	Part No.	Description	No. Used
16	82-1660	Washer - Int. Tooth Lock	2
17	NN10394	Screw - Hex Washer Hd.	2
18	59-0590	Terminal - Stator Leads	2
19	92-0967	Stator (Incl. Ref. #18)	1
20	82-1500	Screw - Machine, Hex Hd.	3
21	57-9550	Clamp - Vacuum Port Cap	1
22	59-0370	Cap - Vacuum Port	1
23	59-0360	Tube - Vacuum Port	1
24	57-9750	Washer - Flat	5
25	NN10545	Screw - Cap Hex. Hd.	4
26	57-9580	Seal - Oil, Crankshaft	1
27	NN10825	Kit - Gearcase (Incl. Ref. #1-3, 5-7, 9, 21-23 & 26)	1
28	59-1130	Nut - Hex.	1
29	59-0790	Stud - Gear Cover	1

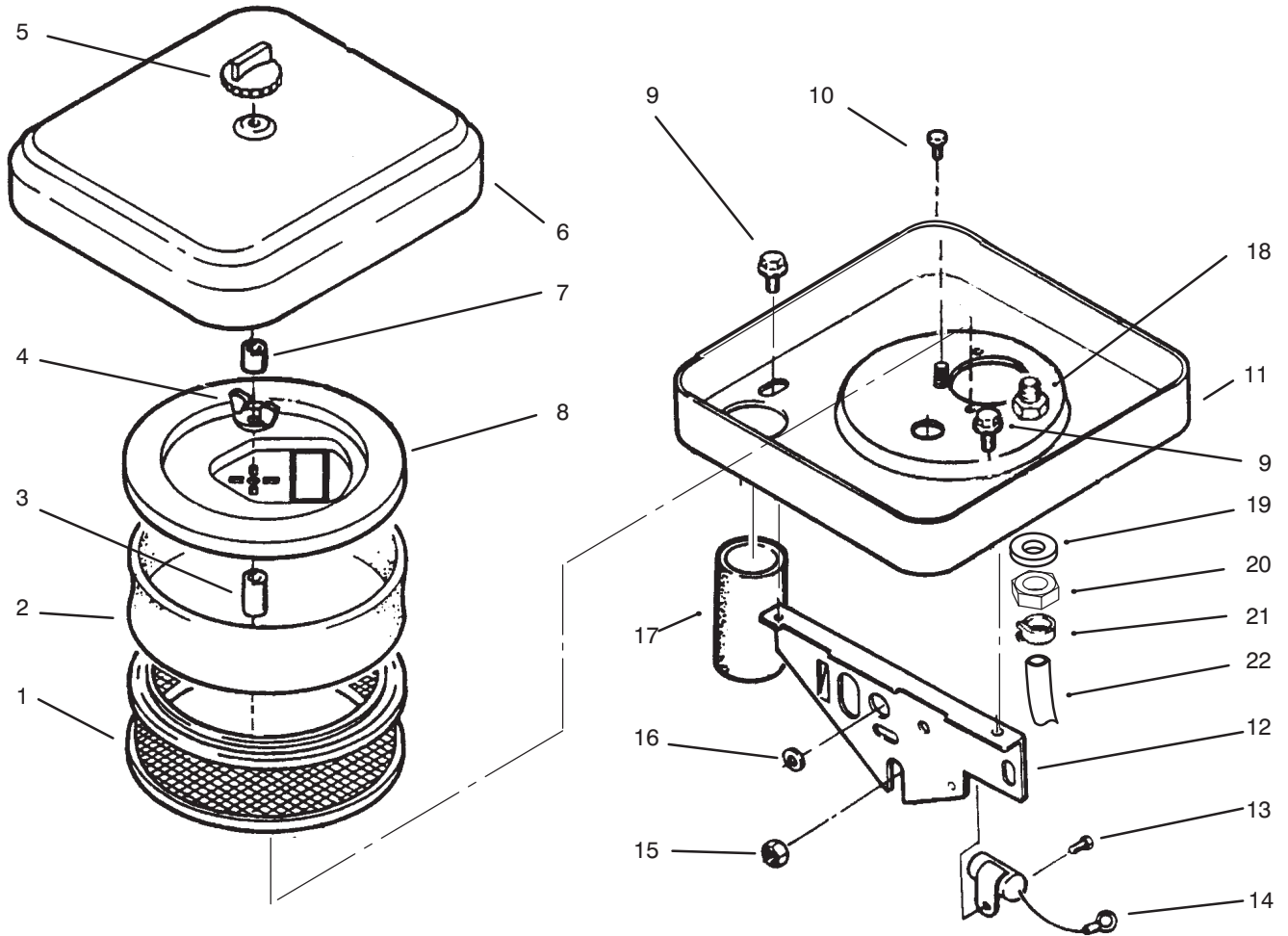


C-2067

IGNITION – ELECTRONIC

Ref. No.	Part No.	Description	No. Used
1	71-5990	Cover – Plunger, Ignition	1
2	82-1340	Washer – Flat	2
3	82-1360	Screw – Cap Hex. Hd.	2
4	71-6440	Nut – Hex. Flange Hd. (Negative Terminal)	1
5	71-6430	Nut – Hex. Flange Hd. (Positive Terminal)	1
6	NN10545	Screw – Hex. Washer Hd.	2
7	71-6000	Coil – Battery Ignition (Incl. Ref. #4-5)	1

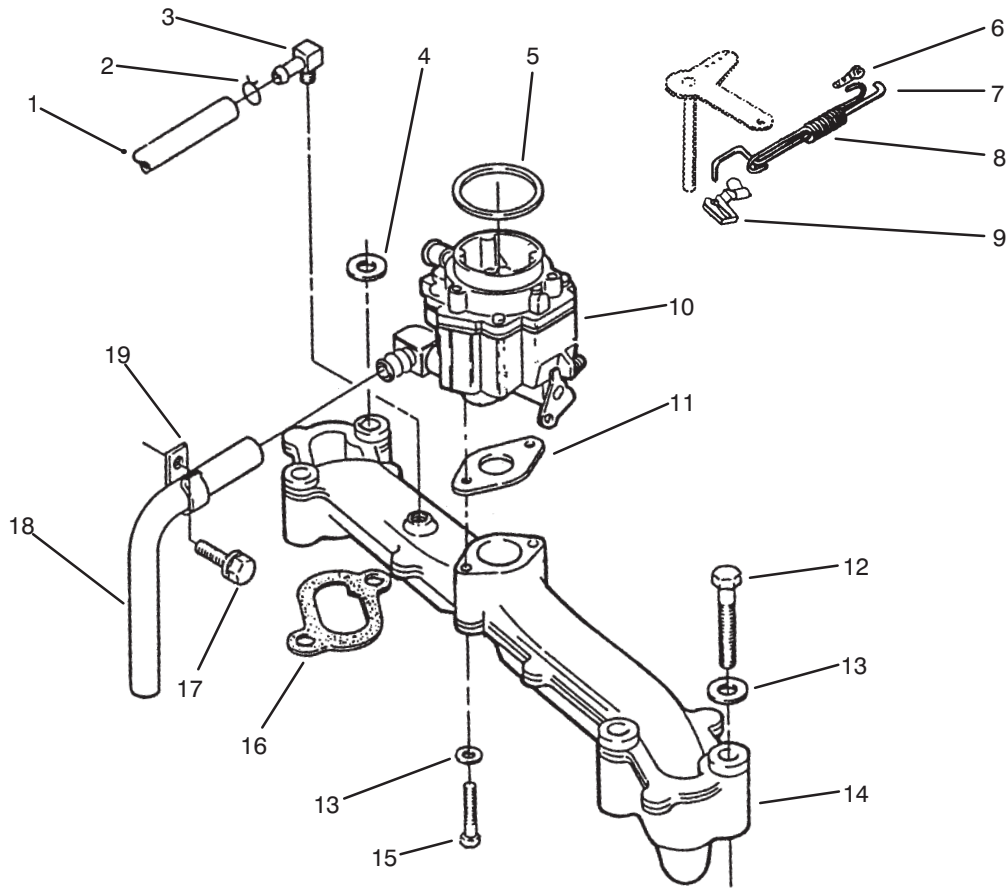
Ref. No.	Part No.	Description	No. Used
8	57-9340	Plug – Spark	2
9	NN10253	Cable – Spark Plug	2
10	71-6060	Clip – Wire (Attach To #1 Spark Plug Wire)	1
11	71-6220	Clip – Wire	2
12	71-6460	Screw – Hex Washer Hd.	1
13	71-6010	Rotor – Ignition	1
14	79-6490	Gasket – Plate	1



AIR CLEANER

Ref. No.	Part No.	Description	No. Used
1	NN10774	Element – Air Cleaner	1
2	NN10176	Wrapper – Element	1
3	79-6510	Spacer – Stud	1
4	92-0913	Nut – Wing	1
5	82-1670	Knob	1
6	NN10446	Cover – Air Cleaner	1
7	79-6520	Spacer – Rubber	1
8	82-0650	Cover – Element	1
9	82-1550	Screw – Hex. Washer Hd.	2
10	92-0915	Screw – Machine Hex. Hd.	2
11	79-6330	Housing – Air Cleaner	1

Ref. No.	Part No.	Description	No. Used
12	79-6340	Support – Air Cleaner	1
13	NN10390	Screw – Hex. Washer Hd.	1
14	59-1180	Capacitor	1
15	3253-5	Nut – Hex. Washer Hd.	1
16	71-6140	Grommet – Rubber	1
17	NN10187	Tube – Air Intake	1
18	NN10239	Fitting – Barbed	1
19	NN10190	Gasket	1
20	NN10132	Nut	1
21	82-1080	Clamp	1
22	NN10447	Hose	1

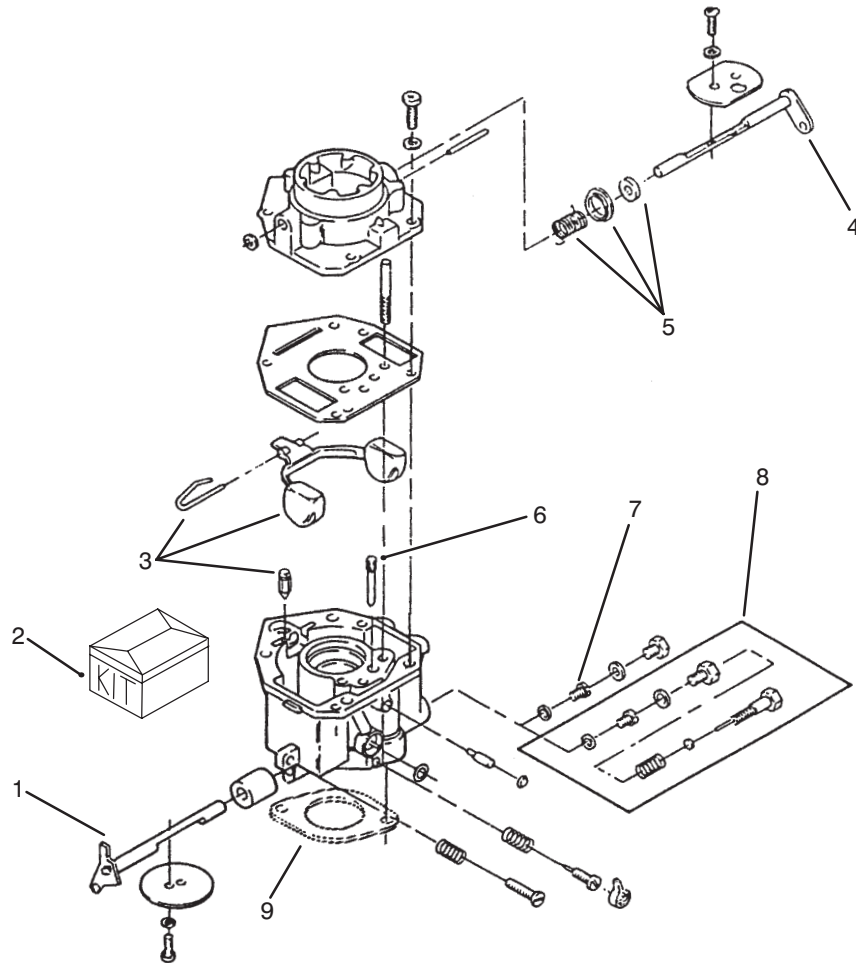


C-2069

INTAKE MANIFOLD

Ref. No.	Part No.	Description	No. Used
1	82-1120	Hose - Breather	1
2	82-1080	Clamp - Hose 1/2" Dia.	2
2	82-1090	Clamp - Hose .44" Dia.	1
3	82-1070	Fitting - Barbed	1
4	NN10362	Washer - Flat	1
5	57-9620	"O" Ring	1
6	57-9700	Clip - Retaining, Control Rod To Carburetor	1
7	NN10227	Rod - Governor Control	1
8	NN10877	Spring - Governor Rod	1
9	57-9730	Clip - Retaining	1

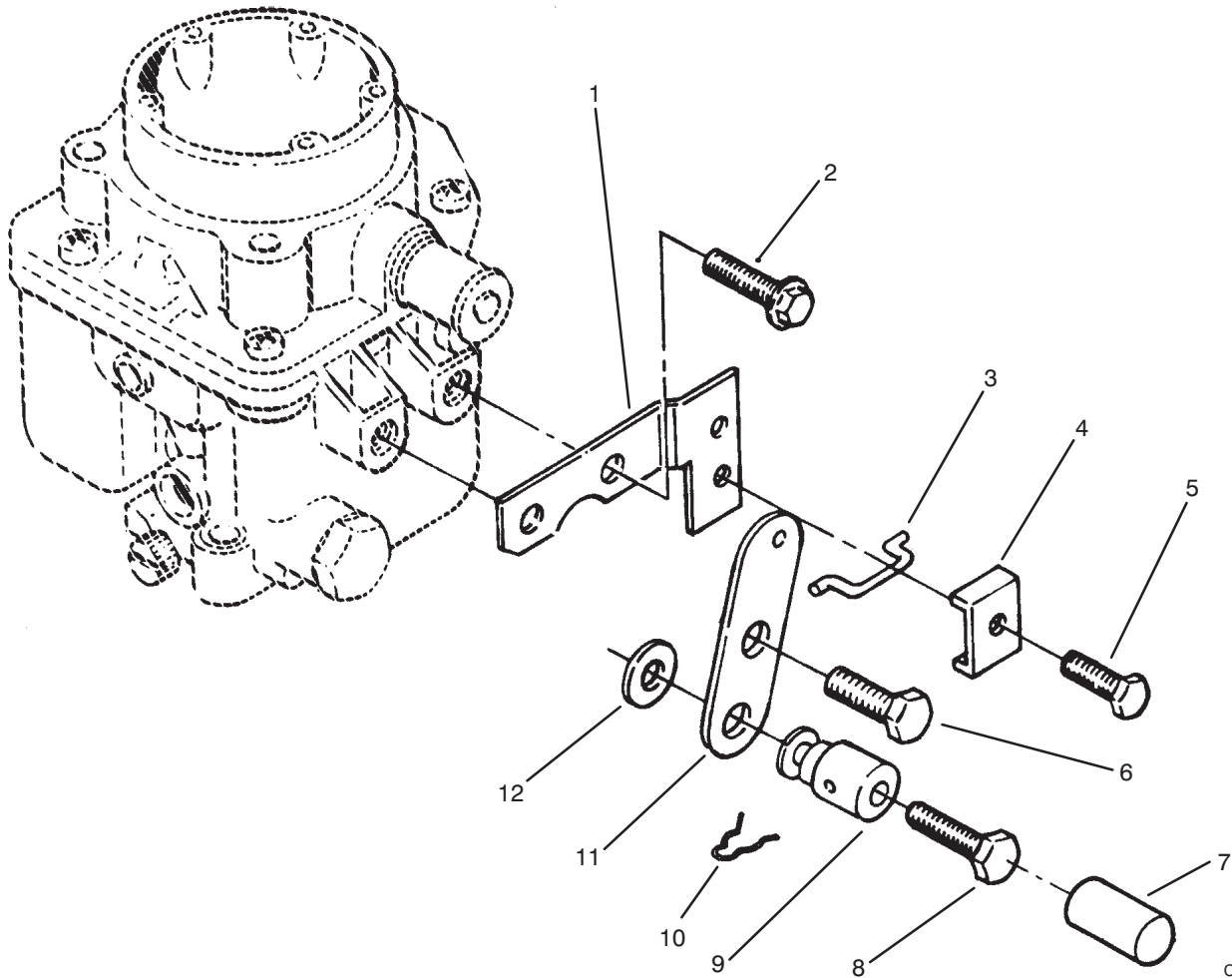
Ref. No.	Part No.	Description	No. Used
10	62-2790	Assembly - Carburetor (Incl. Ref. #5 & 11)	1
11	82-0850	Gasket - Carb/Manifold	1
12	NN10375	Screw - Cap Hex. Hd.	4
13	82-1350	Washer - Flat	6
14	92-0918	Manifold - Intake	1
15	NN10545	Screw - Cap Hex. Hd.	2
16	71-5980	Gasket - Manifold To Block	2
17	82-1540	Screw - Hex. Washer Hd.	1
18	NN10306	Hose - Fuel	1
19	71-6220	Clip - Wire	1



C-2070

CARBURETOR ASSEMBLY

Ref. No.	Part No.	Description	No. Used	Ref. No.	Part No.	Description	No. Used
1	NN10811	Kit – Shaft, Throttle (Includes Valve Setscrew, Air Filter, & Throttle Valve)	1	5	72-3870	Kit – Lever, Choke (Incl. Choke Lever Ring, Choke Spring, & Choke Collar)	1
2	82-0780	Kit – Repair (Includes Screw & Plug Package, Gasket Package, Float Valve, Idle Adj. Needle & Spring, Mounting Gaskets & Idle Limit Cap)	1	6	NN10859	Jet – Idle	1
3	62-2800	Kit – Float (Includes Float, Pin & Valve)	1	7	57-9050	Jet – Power	1
4	72-3860	Kit – Shaft, Choke (Incl. Choke Valve, Valve Setscrew, & Air Filter)	1	8	NN10858	Jet – Power, Fixed, Optional (High Altitude Application)	1
				9	82-0850	Gasket – Carb. Mounting	2

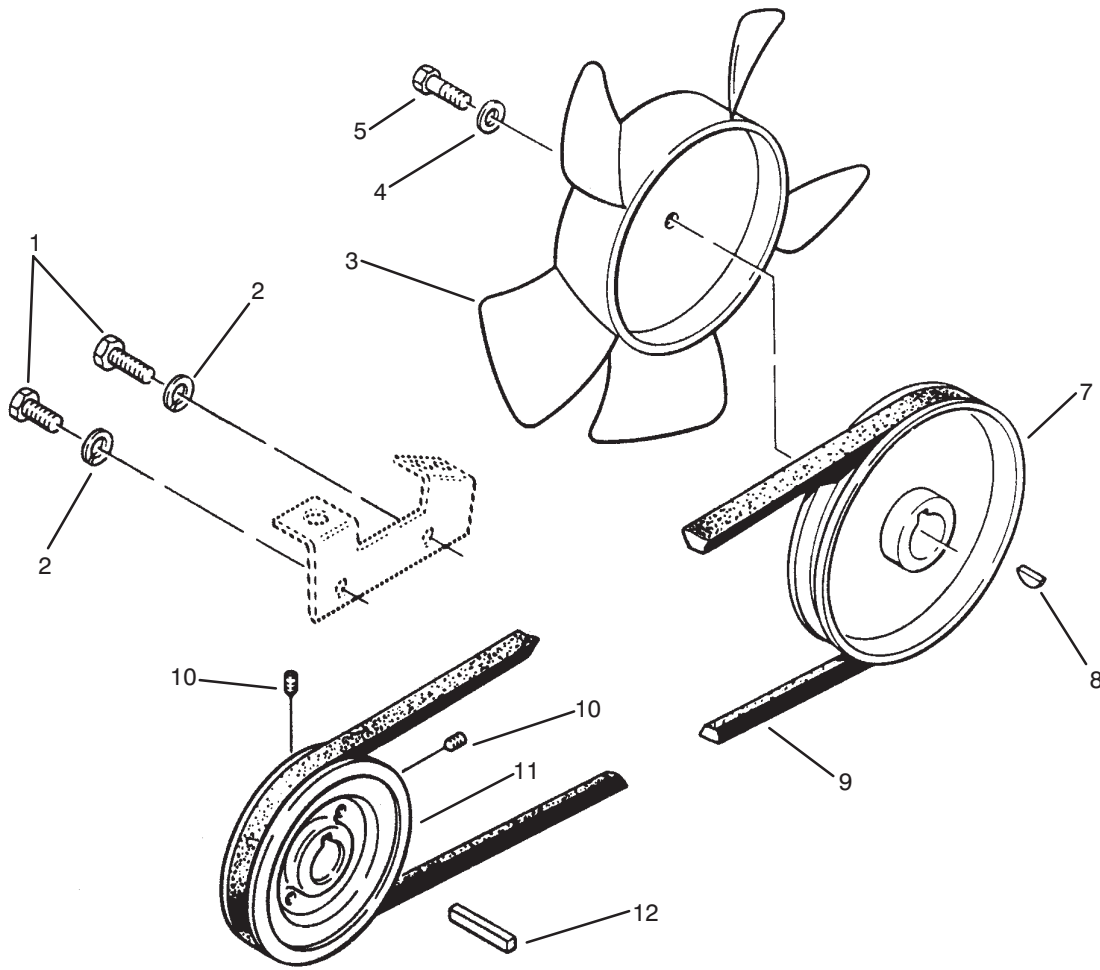


C-2071

CHOKE CONTROL (FRONT PULL)

Ref. No.	Part No.	Description	No. Used
1	59-0470	Bracket - Choke Cable	1
2	72-3880	Screw - Cap Flange Hd.	1
3	57-9180	Link - Choke	1
4	57-9190	Clip - Choke Cable	1
5	72-3900	Screw - Flange Hd.	1
6	92-0916	Screw - Shoulder	1

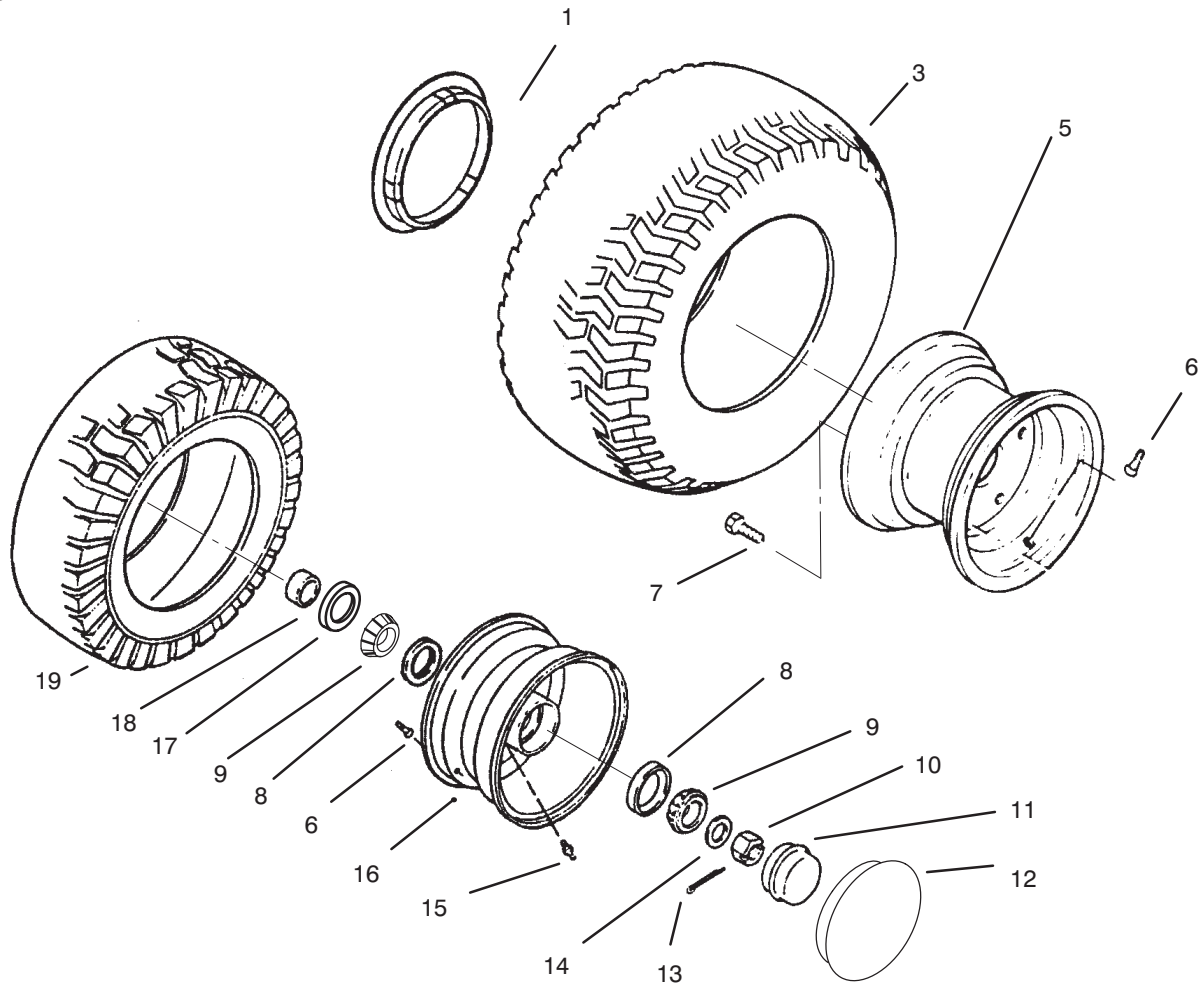
Ref. No.	Part No.	Description	No. Used
7	NN10830	Plug - Cap	1
8	72-3890	Screw - Machine, Hex. Hd.	1
9	NN10656	Swivel - Choke Lever	1
10	59-0720	Pin - Cotter	1
11	NN10511	Lever - Choke	1
12	59-0850	Washer - Flat	1



C-2050

DRIVE BELT AND PULLEYS

Ref. No.	Part No.	Description	No. Used	Ref. No.	Part No.	Description	No. Used
1	323-6	Bolt	2	8	937089	Key - Woodruff	1
2	3253-21	Washer - Lock	2	9	114895	Belt - Drive	1
3	108393	Fan	1	10	3246-2	Setscrew	2
4	103995	Washer - Special	1	11	7443	Pulley - Engine Drive	1
5	9080026	Bolt	1	12	105453	Key	1
7	108316	Pulley - Transmission Drive	1				

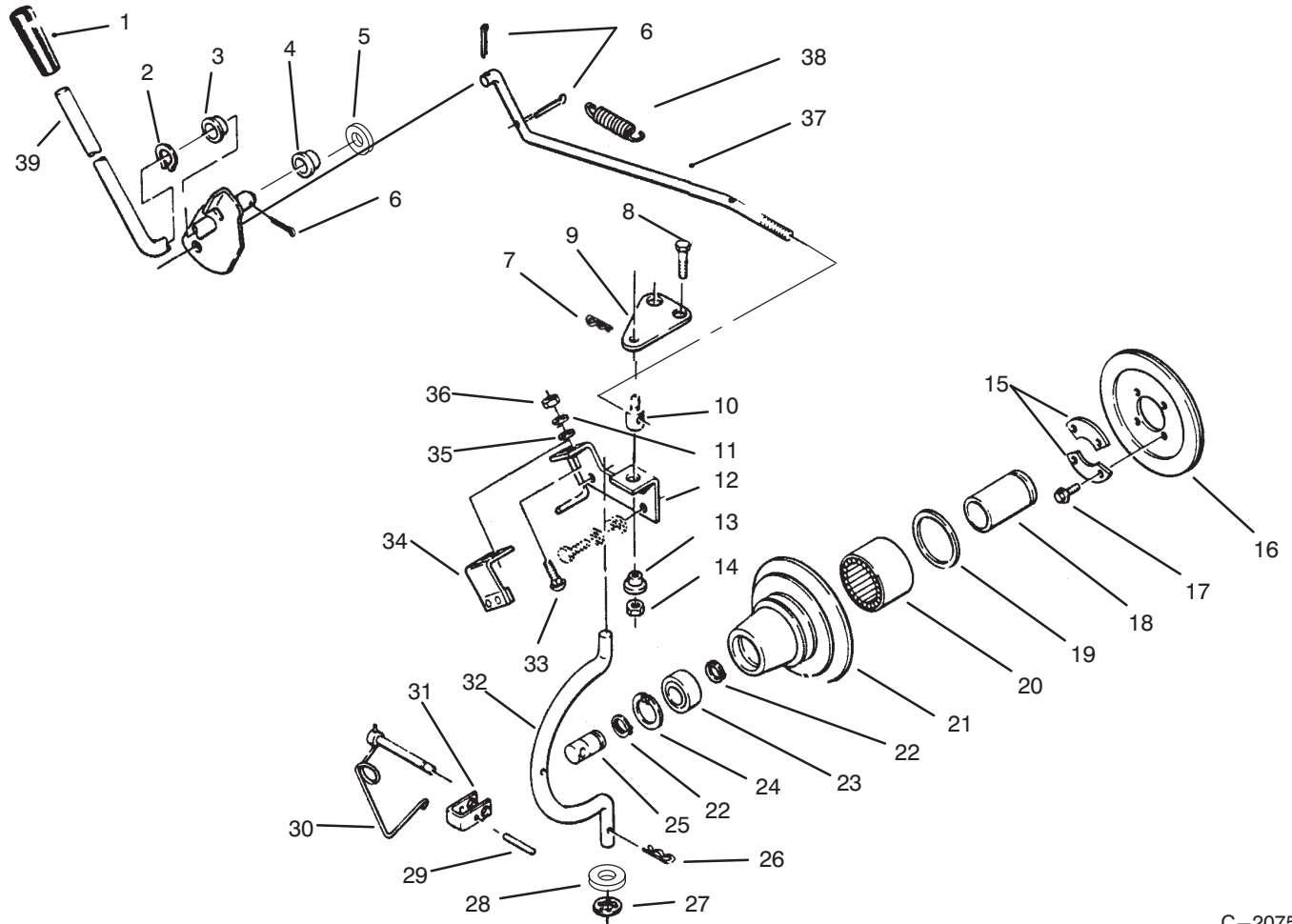


WHEELS AND TIRES

Ref. No.	Part No.	Description	No. Used
1	114428	Logo – Hub Cap 12”	2
3	116971	Tire – Turf Trac, Rear 23 X 10.5-12	2
5	110680	Wheel – Rear	2
6	5108	Stem – Valve	4
7	83-2720	Bolt – Lug	10
8	112821	Cup – Bearing	2
9	112823	Bearing	2
10	32136-5	Nut – Slotted	2
11	112825	Cap – Dust	2

Ref. No.	Part No.	Description	No. Used
12	114427	Logo – Hub Cap 8”	2
13	3272-12	Pin – Cotter	2
14	9202254	Washer	2
15	109500	Fitting – Grease	2
16	117287	Wheel – Front (Includes Item 15 & Qty. 2 of Item 8)	2
17	93-9807	Seal	2
18	112824	Spacer	2
19	116867	Tire – Turf Trac, Front 12 X 7.5-8	2

*Not Illustrated



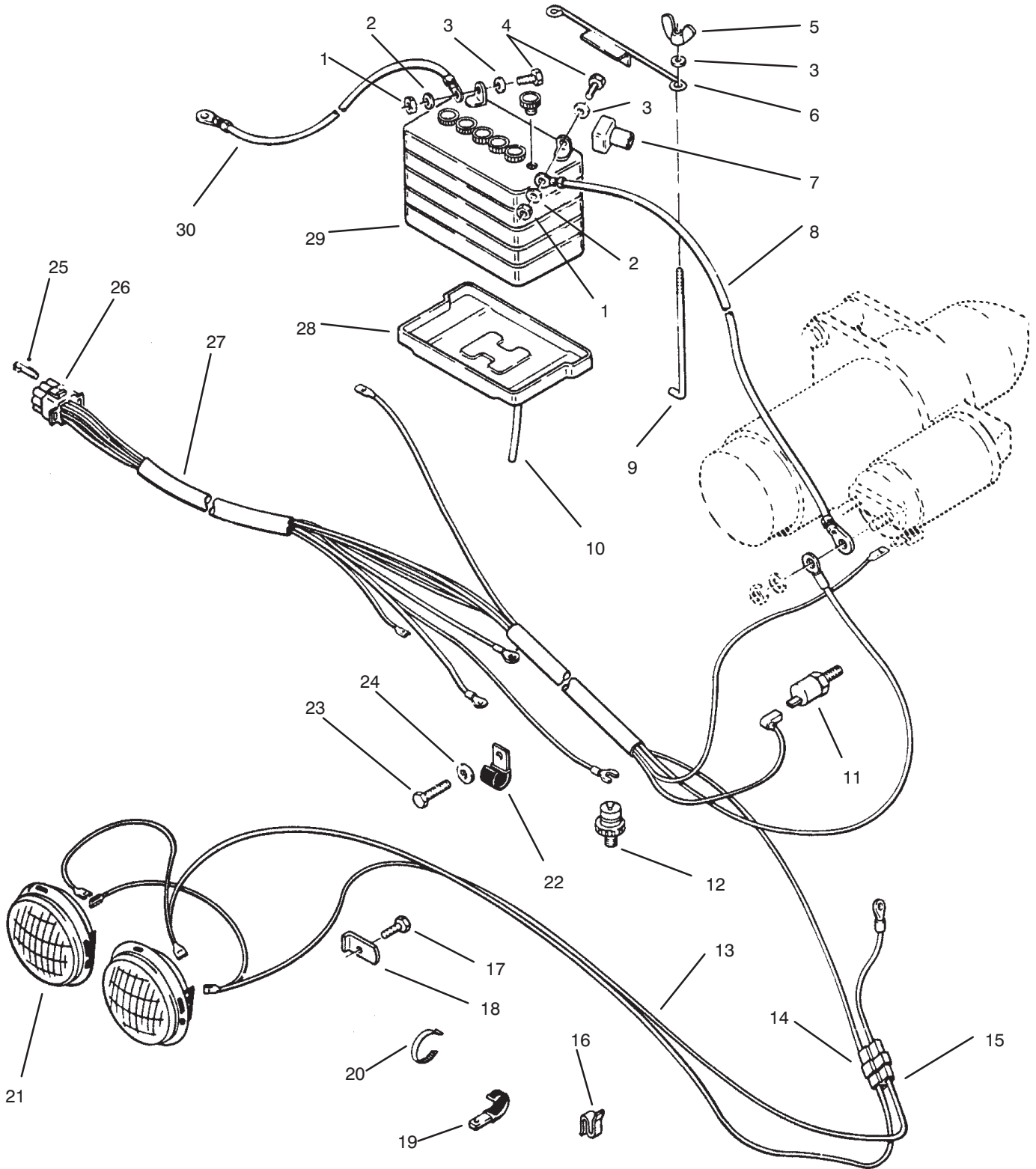
C-2075

PTO CLUTCH & CONTROL

Ref. No.	Part No.	Description	No. Used
1	9038	Grip	1
2	32151-11	Ring - Retaining	1
3	5666	Bushing - Nyliner	1
4	5983	Bushing	1
5	3765	Washer - Shim	1
6	3272-10	Pin - Cotter	3
7	9335054	Pin - Cotter, Hair	1
8	323-7	Screw - Cap Hex. Hd.	1
9	110669	Plate - PTO	1
10	110656	Trunnion	1
11	3253-3	Washer - Lock	2
12	113874	Bracket - Engine	1
13	104859	Spacer	1
14	3296-39	Nut - Lock	1
15	6659	Retainer	2
16	114881	Assembly - Plate	1
17	9080026	Bolt - Nylok	4
18	6658	Race - Bearing	1
19	6663	Seal - Oil	1
20	6662	Bearing - Needle	1

Ref. No.	Part No.	Description	No. Used
21	103478	Housing - Clutch	1
22	32120-72	Ring - Snap, External	2
23	109842	Bearing - Ball	1
24	32120-62	Ring - Snap, Internal	1
25	102872	Shaft - PTO	1
26	9335064	Pin - Cotter, Hair	1
27	106695	Ring - Push-On	1
28	3256-27	Washer - Flat	1
29	933274	Pin - Spirol	1
30	111314	Pin - Locking	1
31	113107	Clevis	1
32	113108	Rod - Housing, PTO	1
33	3229-25	Bolt - Carriage	2
34	110665	Assembly - Brake, PTO	1
35	3256-22	Washer - Flat	2
36	3218-1	Nut - Jam	2
37	111052	Rod - Clutch, PTO	1
38	103125	Spring	1
39	111234	Lever - Clutch, PTO	1

BATTERY & HEADLIGHTS ASSEMBLY

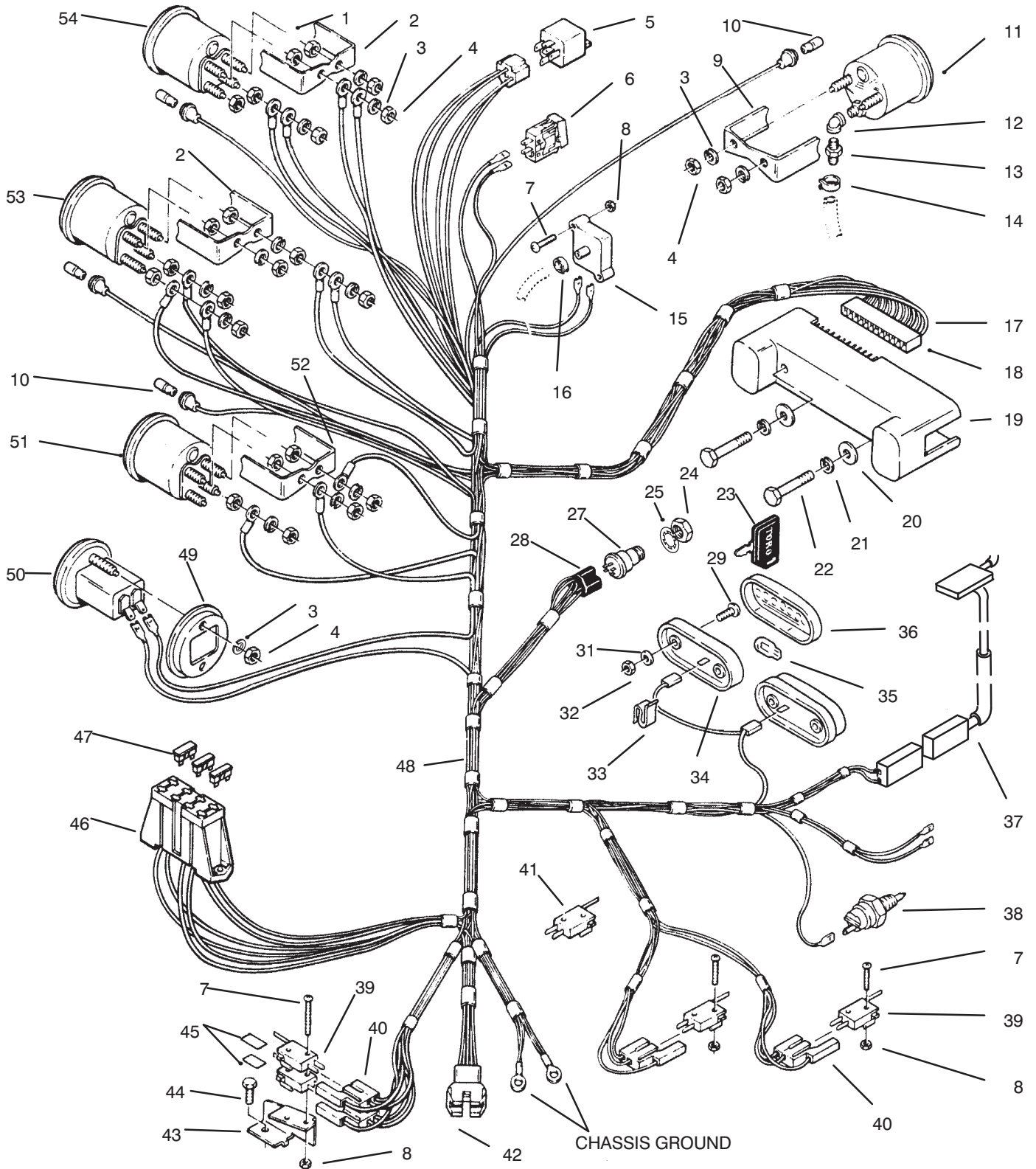


BATTERY & HEADLIGHTS ASSEMBLY

Ref. No.	Part No.	Description	No. Used	Ref. No.	Part No.	Description	No. Used
1	3296-42	Nut - Lock	5	17	9266714	Bolt - Hex	2
2	3253-3	Washer - Lock	2	18	109459	Clamp	2
3	3256-22	Washer - Flat	4	19	8830	Clip	1
4	321-4	Screw - Cap Hex. Hd.	2	20	100571	Tie - Cable	A/R
5	32103-22	Nut - Wing	2	21	102881	Headlight	2
6	113010	Rod - Battery Hold Down	1	22	71-6220	Clip	1
7	109553	Cover - Terminal	1	23	82-1540	Screw	1
8	113925	Cable - Battery, Pos.	1	24	NN10425	Washer - Int. Tooth	1
9	113969	Hook - Battery Hold Down	2	25	NN10279	Contact - Socket	1
10	114720	Tube - Drain	1	26	NN10281	Connector - Male	1
11	NN10274	Switch - High Engine Temp	1	27	NN10553	Harness - Engine Wiring	1
12	NN10824	Switch - Low Oil Pressure	1	28	106948	Tray - Battery	1
13	114052	Harness - Headlight	1	29	115877	Battery - 280 CCA	1
14	NN10278	Connector - Male	1	30	114210	Cable - Battery, Ground	1
15	109357	Connector - Female	1	*	3290-378	Tie - Cable	7
16	3023	Clip - Small	1				

*Not Illustrated

ELECTRICAL SYSTEM

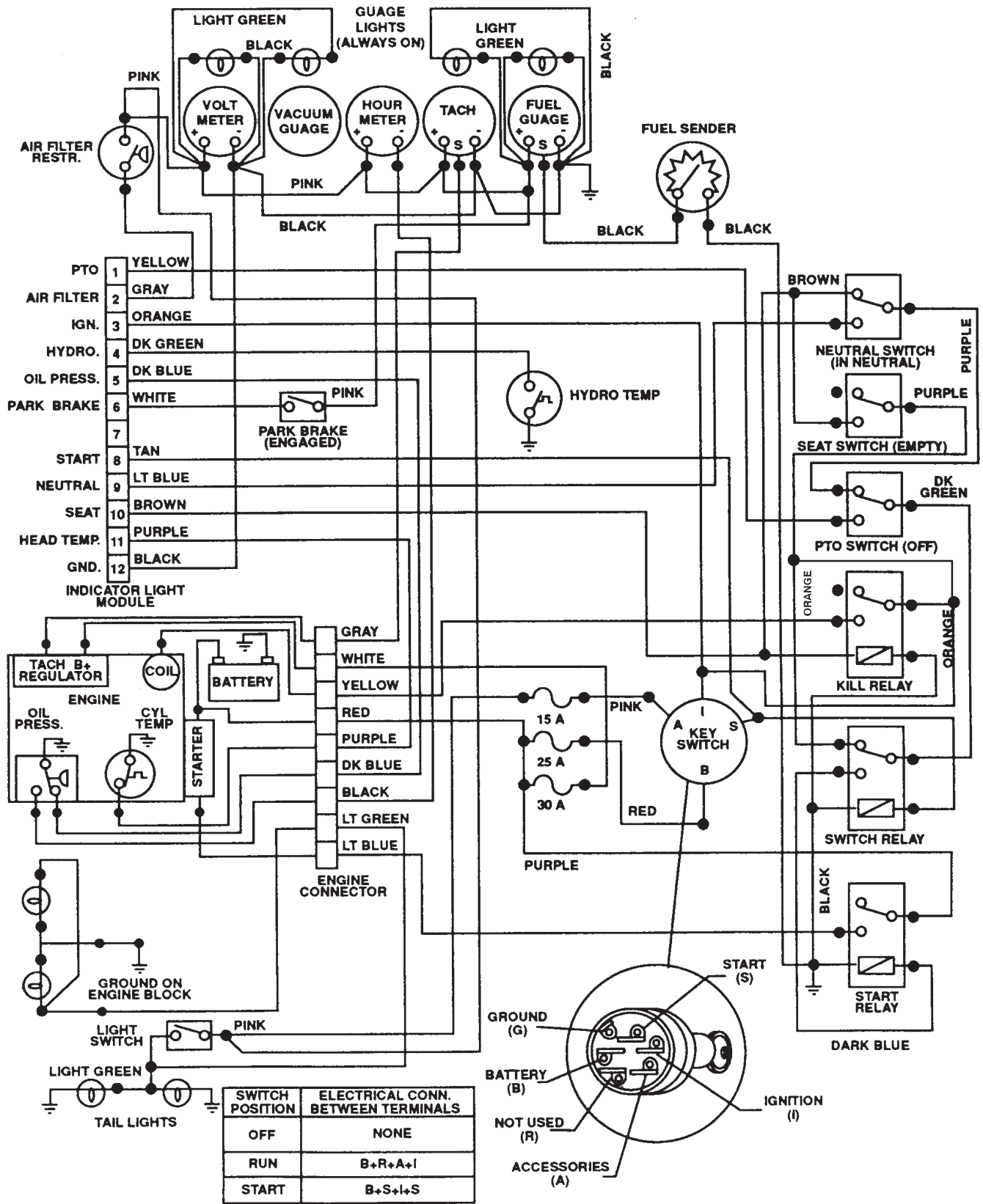


ELECTRICAL SYSTEM

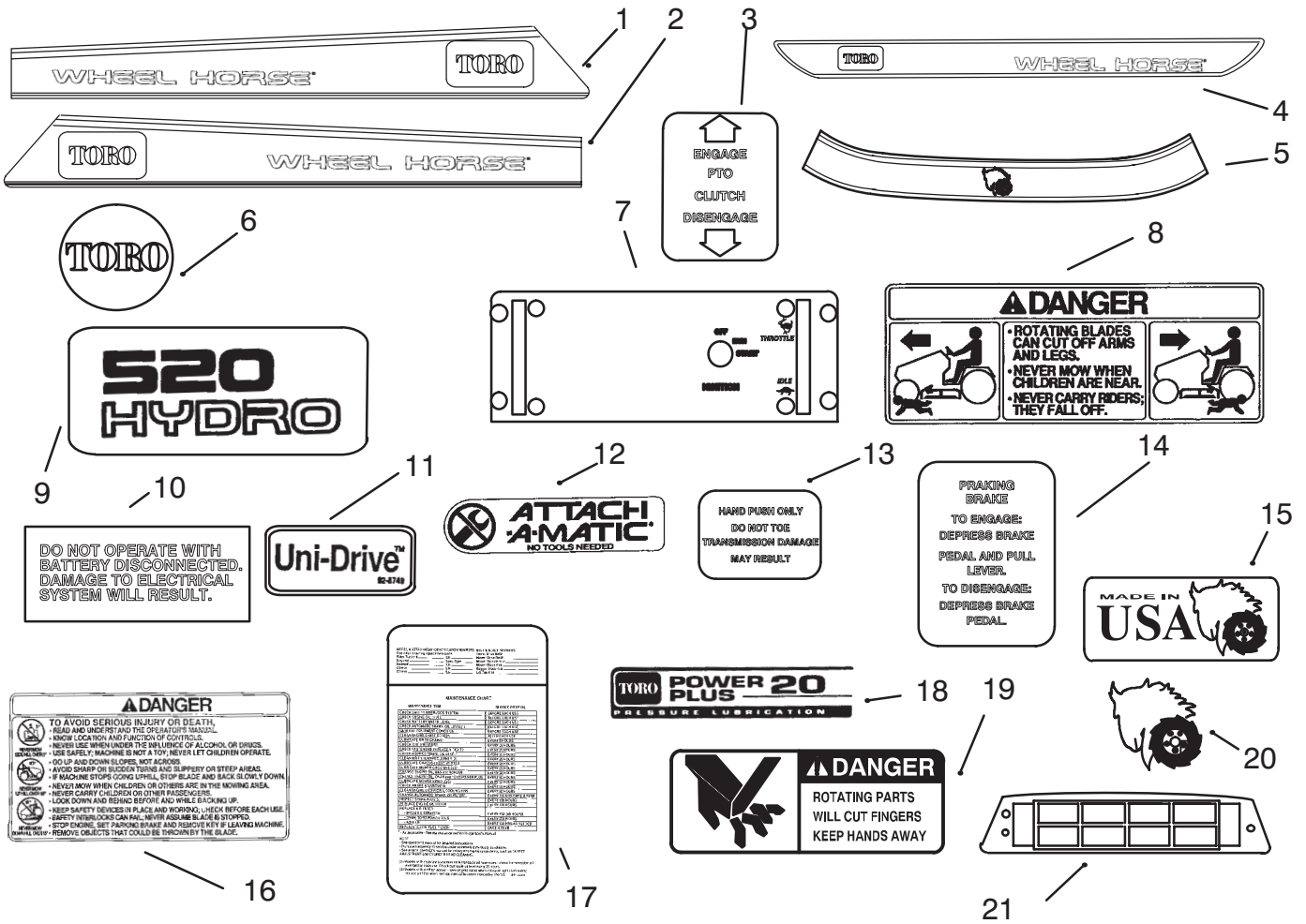
Ref. No.	Part No.	Description	No. Used	Ref. No.	Part No.	Description	No. Used
2	78-0080	Bracket - Mounting	2	32	3296-27	Nut	4
3	3255-25	Washer - Lock	2	33	3023	Clip - Speed	2
4	3217-27	Nut - Hex.	A/R	34	105202	Base - Taillight w/Bulb	2
5	116397	Relay	3	35	109045	Bulb - Light (Auto #194)	2
6	92-9844	Switch - Light	1	36	112564	Lens - Taillight	2
7	910948	Screw	4	37	38-1420	Switch - Seat	1
8	915732	Nut - Elastic	6	38	113193	Switch - Trans. Oil Temp	1
9	78-0100	Bracket - Mounting	2	39	111332	Switch - Interlock Snap	2
10	79-0450	Lamp - .938" Long	4	40	111498	Connector	5
11	79-2660	Gauge - Vacuum (Incl. Ref. #3-4 & 9)	1	41	115230	Switch - Clutch	1
12	943021	Elbow	1	42	113119	Connector - Female	1
13	105076	Fitting - Straight	1	43	111488	Support - Switch	1
14	950154	Clamp - Corbin	1	44	926671	Bolt	3
15	114270	Sensor - Air Cleaner	1	45	111642	Barrier - Switch Insulator	2
16	114767	Clamp	1	46	120930	Body - Fuse (Ref. Item #48)	1
17	114633	Terminal	12	47	114594	Fuse - 10 Amp, ATO or ATO	1
18	114632	Connector - Male	1		109101	Fuse - 20 Amp, ATO or ATO	1
19	79-2130	Board - Light Circuit	1		NN10277	Fuse - 30 Amp, ATO or ATO	1
20	3256-21	Washer - Flat	2	48	79-3630	Assembly - Wire Harness	1
21	3253-15	Washer - Lock	2	49	78-3320	Bracket - Mounting	1
22	910783	Screw	2	50	78-0020	Hourmeter (Incl. Ref. #3-4 & 49)	1
23	62-7770	Key - Padded Ignition	2	51	78-0060	Tachometer (Incl. Ref. #1, 3-4 & 52)	1
24	101884	Nut - Special	1	52	78-0090	Bracket - Mounting	1
25	9201604	Washer - Lock	1	53	78-0040	Gauge - Fuel (Incl. Ref. #2-4)	1
27	111216	Switch - Ignition (Incl. Ref. #24-25)	1	54	78-0030	Voltmeter (Incl. Ref. #2-4)	1
28	105302	Connector Body - Ignition Switch (Ref. Item #48)	1	*	117257	Tie - Snap In	1
29	3250-31	Screw (Optional)	4				
31	3254-1	Washer - Lock	4				

*Not Illustrated

WIRING DIAGRAM



DECALS



DECALS

Ref. No.	Part No.	Description	No. Used
1	92-9835	Decal - Hood RH	1
2	92-9834	Decal - Hood LH	1
3	111960	Decal - PTO Clutch	1
4	92-9827	Decal - Rear Fender	1
5	92-9826	Decal - Front Hood	1
6	118530	Plate - Toro Logo	1
7	119230	Decal - Front Panel	1
8	92-8946	Decal - Danger	1
9	92-9833	Decal - 520 Hydro	2
10	111926	Decal - Electrical System	1
11	92-8749	Decal - Unidrive	1

Ref. No.	Part No.	Description	No. Used
12	92-8747	Decal - Attach-A-Matic	1
13	116446	Decal - Do Not Tow	1
14	116445	Decal - Parking Brake	1
15	76-1340	Decal - Made in U.S.A.	1
16	92-9838	Decal - Danger	1
17	88-3200	Decal - Maintenance	1
18	118560	Decal - Power Plus	1
19	88-2790	Decal - Danger	1
20	92-9836	Plate - Wheel Horse Logo	1
21	78-8350	Decal - Indicator Lights	1

TORO PART NUMBER INDEX

3317-377

Part No.	Description	Pg. Ref. No. No.	Qty.	Part No.	Description	Pg. Ref. No. No.	Qty.
1121	Key – Sq.	"9"	13 1	101751	Rod – Front Hitch Lock	"20"	3 1
1278	Washer – Shim	"12"	25 1	101757	Spacer	"8"	28 1
1481	Fitting – Grease, 45°	"18"	21 2	101850	Rod – Hood Stop	"2"	13 1
1518	Bearing – Needle	"11"	32 1	101884	Nut – Special	"45"	24 1
1532	Bearing – Needle	"10"	21 2	101889	Gear – Differential Axle	"10"	15 2
1532	Bearing – Needle	"11"	31 2	101938	Spring	"14"	49 1
1538	Bearing – Needle	"11"	20 1	102025	Spacer	"13"	24 1
1644	Hitch – Drawbar	"21"	9 1	102374	Pin – Pivot	"9"	15 1
2844	Special Washer	"12"	14 1	102628	Fitting – Hyd., Straight	"15"	28 1
3023	Clip – Small	"43"	16 1	102628	Fitting – Straight Adapter	"8"	19 1
3023	Clip – Speed	"45"	33 2	102644	Plate – Mid Hitch	"20"	7 2
3765	Washer – Shim	"41"	5 1	102809	Nut – Special, Flanged	"13"	21 1
3765	Washer – Shim	"14"	44 1	102872	Shaft – PTO	"41"	25 1
5108	Stem – Valve	"40"	6 4	102881	Headlight	"43"	21 2
5210	Washer – Shim	"18"	18 6	103125	Spring	"41"	38 1
5618	Ring – Retaining	"21"	3 2	103125	Spring – Brake Return	"12"	6 1
5618	Ring – Retaining	"19"	47 1	103478	Housing – Clutch	"41"	21 1
5666	Bushing – Nylon	"41"	3 1	103995	Washer – Special	"15"	2 1
5979	Bushing	"2"	8 2	103995	Washer – Special	"39"	4 1
5983	Bushing	"41"	4 1	104047	Bushing – Rubber	"7"	19 1
5983	Bushing	"8"	6 1	104048	Valve – Fuel Shut-Off	"7"	20 1
5983	Bushing	"14"	36 3	104841	Spring	"8"	16 1
5991	Fitting – Filter	"15"	25 1	104859	Spacer	"41"	13 1
6216	Pin & Plate	"18"	2 1	105061	Gear – Differential Ring	"10"	18 1
6229	Bearing	"9"	17 1	105076	Fitting – Straight	"45"	13 1
6449	Axle – Seal	"10"	6 1	105202	Base – Taillight w/Bulb	"45"	34 2
6449	Axle – Seal	"11"	12 1	105269	Shaft – Drawbar Hitch	"21"	4 1
6472	Bearing – Flanged	"18"	3 1	105302	Connector Body – Ignition	"45"	28 1
6658	Race – Bearing	"41"	18 1	105316	Cap – Lock Rod	"20"	12 2
6659	Retainer	"41"	15 2	105453	Key	"39"	12 1
6662	Bearing – Needle	"41"	20 1	105490	Clamp	"7"	18 1
6663	Seal – Oil	"41"	19 1	105503	Bushing	"6"	11 2
7443	Pulley – Engine Drive	"39"	11 1	105524	Bracket – Pivot	"6"	14 2
7456	Bracket	"5"	13 4	105763	Hub – Rear	"10"	1 1
7879	Bushing	"14"	43 1	105763	Hub – Rear	"11"	18 1
7956	Washer – Thrust	"11"	25 1	105797	Ring – Retaining	"20"	2 8
8616	Spring	"20"	1 2	105797	Ring – Retaining	"2"	9 2
8830	"J"Clip	"4"	19 1	105876	Ring – Retaining	"10"	16 2
8830	"J"Clip	"15"	22 1	106222	Footrest – RH	"5"	15 1
8830	"J"Clip	"3"	22 1	106223	Footrest – LH	"5"	11 1
8830	Clip	"23"	6 1	106236	Support – RH, Fuel Tank	"6"	29 1
8830	Clip	"20"	8 1	106267	Grommet – Rubber	"8"	30 1
8830	Clip	"43"	19 1	106269	Bearing – Flanged	"9"	8 2
9038	Grip	"41"	1 1	106448	Tube – Filler	"10"	9 1
9038	Grip	"20"	10 1	106522	Chain – Lift	"9"	4 1
9416	Bearing – Needle	"10"	7 1	106634	Pin – Hitch	"21"	6 1
9416	Bearing – Needle	"11"	11 1	106661	Cam – Eccentric	"15"	18 1
9547	Washer – Thrust	"11"	33 1	106695	Ring – Push-On	"41"	27 1
9548	Washer – Thrust	"19"	44 4	106719	Drum – Brake	"12"	13 1
9865	Bearing – Thrust	"19"	45 2	106826	Washer – Thrust	"10"	4 1
100304	Spacer	"13"	12 2	106826	Washer – Thrust	"11"	15 1
100305	Washer – Friction	"15"	10 2	106948	Tray – Battery	"43"	28 1
100309	Bushing – Pivot, Cam	"15"	12 1	107069	Clip	"5"	14 2
100365	Washer – Spring, Disc	"15"	9 2	107069	Nut – Speed	"4"	15 5
100571	Tie – Cable	"8"	* 1	107374	Washer – Special	"11"	4 4
100571	Tie – Cable	"43"	20A/R	107938	Spring	"14"	41 1
100656	Bearing – Cam	"13"	19 1	108312	Gasket – Case	"11"	8 1
101017	Lock	"20"	16 1	108316	Pulley – Transmission Drive	"39"	7 1
101623	Gear – Differential Pinion	"10"	17 8	108316	Pulley – Transmission Drive	"15"	38 1
101699	Kit – Service, Cylinder	"8"	24 1	108319	Gasket – Pump	"15"	34 1
101707	Lock	"20"	19 1	108323	Base – Filter	"15"	26 1
101711	Housing – Front Hitch	"20"	14 1	108325	Arm – Control, Speed	"15"	15 1
101750	Rod	"20"	17 1	108326	Spacer – Pivot, Long	"15"	8 1

*Not Illustrated

TORO PART NUMBER INDEX (Cont.)

3317-377

Part No.	Description	Pg. Ref. No. No.	Qty.	Part No.	Description	Pg. Ref. No. No.	Qty.
108327	Spacer – Pivot, Short	"15"	39 1	111199	Bearing – Ball	"11"	3 1
108329	Plate, Control	"15"	5 1	111199	Bearing – Ball	"10"	19 1
108333	Plate – Control, Speed	"15"	11 1	111201	Case – Transaxle, LH	"11"	7 1
108357	Seal – Oil	"11"	19 1	111217	Tube – Suction	"15"	37 1
108361	Axle – Rear, LH Short	"11"	1 1	111234	Lever – Clutch, PTO	"41"	39 1
108362	Axle – Rear, RH Long	"10"	5 1	111314	Pin – Locking	"41"	30 1
108363	Pin – Dowel	"11"	28 2	111332	Switch – Interlock Snap	"45"	39 2
108364	Fitting – Hyd., Straight	"15"	36 1	111383	Collar	"12"	3 1
108365	Fitting – Hydraulic 90°	"15"	33 2	111488	Support – Switch	"45"	43 1
108366	Spacer – Drive, Gear	"15"	32 1	111498	Connector	"45"	40 5
108368	Assembly – Pump & Motor	"15"	35 1	111642	Barrier – Switch Insulator	"45"	45 2
108393	Fan	"15"	3 1	111926	Decal – Electrical System	"47"	10 1
108393	Fan	"39"	3 1	111960	Decal – PTO Clutch	"47"	3 1
108457	Nut – Push On	"4"	2 1	111960	Decal – PTO Clutch	"3"	12 1
108457	Nut – Push On	"5"	18 1	112564	Lens – Taillight	"45"	36 2
108464	Support – LH, Fuel Tank	"6"	27 1	112595	Button	"17"	10 2
108496	Rod – Pivot	"14"	34 1	112600	Ring – Retaining	"17"	53 2
108680	Spring	"12"	11 1	112604	Seal	"17"	3 2
108716	Plate – Cam	"13"	31 1	112608	Pin – Coil	"17"	21 1
108717	Spacer	"13"	30 1	112610	Ball	"17"	24 2
108881	Nut	"10"	12 4	112611	Ring – Retaining	"17"	23 2
108881	Nut	"15"	13 2	112613	Plug – "O"Ring	"17"	48 1
108898	Clamp – Corbin	"7"	15 2	112614	"O"Ring	"17"	49 1
108904	Rod Control	"13"	14 1	112616	Screw	"17"	33 4
109045	Bulb – Light (Auto #194)	"45"	35 2	112616	Screw	"17"	54 2
109081	Kit – Service, Valve	"8"	* 1	112635	Screw	"17"	1 1
109088	Kit – Service, Cylinder	"8"	25 1	112636	Bearing – Input	"17"	2 1
109101	Fuse – 20 Amp, ATO or ATC	"45"	1	112637	Housing – Pump Assembly	"17"	4 1
109189	Flange – Bearing	"18"	17 1	112638	Ring – Seal	"17"	6 1
109356	Bushing	"12"	19 1	112639	Plate	"17"	7 1
109357	Connector – Female	"43"	15 1	112640	Ring – Seal	"17"	8 1
109367	Bracket – Brake	"11"	23 1	112641	Cover Assembly	"17"	9 1
109370	Shaft	"11"	26 1	112642	Pin	"17"	12 1
109371	Band – Brake	"12"	17 1	112643	Shaft – Input	"17"	13 1
109372	Rod – Brake, Front	"12"	7 1	112644	Ring – Seal	"17"	14 1
109459	Clamp	"43"	18 2	112645	Rotor – Pump	"17"	15 1
109494	Bezel – Headlight RH	"2"	20 1	112646	Pintle Assembly	"17"	22 1
109495	Bezel – Headlight LH	"2"	19 1	112647	Body – Check Valve	"17"	25 2
109500	Fitting – Grease	"40"	15 2	112648	Ball	"17"	26 1
109553	Cover – Terminal	"43"	7 1	112649	Spring – Relief Valve	"17"	27 1
109554	Bracket – Support, Guard	"5"	6 1	112650	Plug – Relief Valve	"17"	28 1
109703	Gear	"11"	34 1	112651	Pin	"17"	29 1
109742	Gear 20 Tooth	"11"	30 1	112652	Shield	"17"	30 1
109751	Gear – 20 Teeth	"15"	31 1	112653	Ring – Retaining	"17"	31 1
109752	Gear 46 Tooth	"11"	29 1	112654	Ring – Retaining	"17"	5 2
109842	Bearing – Ball	"41"	23 1	112654	Ring – Retaining	"17"	32 2
109989	Spacer – Nylon	"6"	37 4	112656	Roller	"17"	34 6
110124	Hose – Valve To Cylinder	"8"	29 1	112657	Carrier	"17"	35 1
110125	Hose – Valve To Cylinder	"8"	18 1	112658	Seal	"17"	36 1
110189	Rod End Asm	"13"	13 2	112659	Kit – Control Shaft	"17"	37 1
110521	Line – Fuel 53"	"7"	21 1	112660	Insert – Cam Ring	"17"	40 1
110634	Pad – Footrest R.H.	"5"	* 1	112661	Spring – Acc. Valve	"17"	41 1
110635	Pad – Footrest L.H.	"5"	16 1	112661	Spring – Acc. Valve	"17"	42 1
110656	Trunnion	"41"	10 1	112662	Body – Acc. Valve	"17"	43 2
110665	Assembly – Brake, PTO	"41"	34 1	112663	Ball	"17"	44 2
110669	Plate – PTO	"41"	9 1	112664	Rotor – Motor	"17"	45 1
110680	Wheel – Rear	"40"	5 2	112665	Shaft – Output	"17"	46 1
110768	Dipstick	"10"	10 1	112666	Bearing – Output	"17"	52 1
110960	Fender	"6"	25 1	112667	Kit – Seal, Overhaul	"17"	55 1
111052	Rod – Clutch, PTO	"41"	37 1	112668	Ring – Cam	"17"	56 1
111071	Bumper	"6"	17 2	112669	Body Assembly	"17"	50 1
111196	Cap – Differential End	"11"	2 1	112764	Spindle – Front, RH	"19"	41 1
111196	Cap – Differential End	"10"	13 1	112765	Spindle – Front, LH	"19"	* 1

*Not Illustrated

TORO PART NUMBER INDEX (Cont.)

Part No.	Description	Pg. Ref. No. No.	Qty.	Part No.	Description	Pg. Ref. No. No.	Qty.
112771	Tie Rod End – Thread LH "19"	40	2	116000	Bolt – Carriage	"4"	1 4
112772	Tie Rod End – Thread RH "19"	35	2	116000	Bolt – Carriage	"5"	12 4
112773	Tube	"19"	37 2	116302	Arm – Control	"8"	8 1
112775	Nut – Thread LH	"19"	38 2	116305	Bracket – Control Rod	"8"	11 1
112791	Pulley – Idler	"14"	39 1	116309	Bracket – Support, Battery	"4"	7 1
112821	Cup – Bearing	"40"	8 2	116321	Arm – Control	"14"	51 1
112822	Seal	"40"	17 2	116324	Rod Assembly	"14"	52 1
112823	Bearing	"40"	9 2	116397	Relay	"45"	5 3
112824	Spacer	"40"	18 2	116407	Rod End	"13"	9 2
112825	Cap – Dust	"40"	11 2	116445	Decal – Brake, Parking	"4"	12 1
113010	Rod – Battery Hold Down	"43"	6 1	116445	Decal – Parking Brake	"47"	14 1
113023	Bracket – Fender	"5"	9 1	116446	Decal – Do Not Tow	"47"	13 1
113041	Piston	"17"	18 2	116446	Decal – Do Not Tow	"6"	30 1
113107	Clevis	"41"	31 1	116471	Muffler	"23"	5 1
113108	Rod – Housing, PTO	"41"	32 1	116609	Plate – Engine	"23"	15 1
113119	Connector – Female	"45"	42 1	116634	Knob – Hydraulic Lift	"8"	13 1
113136	Race – Pump	"17"	16 1	116635	Knob – Motion Control	"13"	1 1
113137	Race – Motor	"17"	47 1	116745	Rod – Pivot	"2"	12 1
113191	Switch – Light	"45"	6 1	116746	Bracket – RH	"2"	7 1
113193	Switch – Trans. Oil Temp	"45"	38 1	116747	Bracket – LH	"2"	10 1
113358	Sender – Fuel Level	"7"	5 1	116823	Axle – Front	"19"	43 1
113372	Gasket	"7"	4 1	116867	Tire – Turf Trac, Front	"40"	19 2
113454	Control – Cam	"13"	11 1	116971	Tire – Turf Trac, Rear	"40"	3 2
113874	Bracket – Engine	"41"	12 1	117191	Bracket – Holder, Fuse	"4"	4 1
113925	Cable – Battery, Pos.	"43"	8 1	117257	Tie – Snap In	"45"	* 1
113932	Stiffener – Panel	"3"	15 1	117267	Panel – Dash	"3"	7 1
113962	Panel – RH	"3"	1 1	117287	Wheel – Front	"40"	16 2
113969	Hook – Battery Hold Down	"43"	9 2	117328	Rod – Lift Control	"8"	9 1
114012	Tank – Fuel	"7"	3 1	117343	Keeper – Latch	"3"	19 2
114027	Control – Choke	"3"	31 1	117344	Latch – Hood	"2"	6 2
114052	Harness – Headlight	"43"	13 1	117432	Rivet – Pop	"2"	5 4
114210	Cable – Battery, Ground	"43"	30 1	117433	Rivet – RS Pop	"3"	20 4
114215	Cover – Exhaust, Front	"23"	20 1	117930	Latch – Mid Hitch	"20"	13 1
114216	Cover – Exhaust, Rear	"23"	4 1	118410	Cover – Steering	"3"	8 1
114217	Deflector – Air	"23"	1 1	118530	Plate – Toro Logo	"25"	41 1
114263	Spring – Seat	"6"	35 2	118530	Plate – Toro Logo	"47"	6 1
114264	Adjuster – LH (With Latch)	"6"	36 1	118560	Decal – Power Plus	"47"	18 1
114265	Slide – RH	"6"	39 1	118660	Guide – Control	"13"	4 1
114270	Sensor – Air Cleaner	"45"	15 1	118780	Screw – Plastite	"3"	11 4
114343	Spring – Gas	"6"	21 1	119230	Decal – Front Panel	"47"	7 1
114344	Spacer	"6"	22 2	119340	Cylinder – Hydraulic	"8"	26 1
114345	Bracket – Gas Spring	"6"	23 1	120400	Bar – Lift	"9"	20 1
114427	Logo – Hub Cap 8"	"40"	12 2	120930	Body – Fuse	"45"	46 1
114594	Fuse – 10 Amp, ATO or ATC	"45"	47 1	121100	Lever – Lift	"9"	11 1
114628	Bracket – Switch	"3"	17 1	128860	Knob	"13"	26 1
114632	Connector – Male	"45"	18 1	201256	Link – Governor Control	"25"	24 1
114633	Terminal	"45"	17 12	201327	Screw	"25"	29 3
114636	Nipple	"23"	11 1	518211	Bumper	"5"	10 2
114641	Stop – Choke	"3"	14 1	900036	Bolt	"3"	24 2
114709	Hood	"2"	3 1	910783	Screw	"45"	22 2
114720	Tube – Drain	"43"	10 1	910807	Screw	"7"	6 5
114763	Pipe	"23"	9 1	910837	Screw	"5"	17 1
114764	Elbow 90°	"23"	8 1	910837	Screw – Black	"3"	5 8
114767	Clamp	"45"	16 1	910837	Screw – Black	"4"	9 3
114823	Washer – Wave	"14"	45 2	910839	Screw	"3"	3 6
114881	Assembly – Plate	"41"	16 1	910839	Screw	"4"	11 2
114888	Screw	"23"	2 6	910948	Screw	"45"	7 4
114895	Belt – Drive	"39"	9 1	911423	Bolt	"11"	5 4
115230	Switch – Clutch	"45"	41 1	915031	Nut	"19"	30 4
115392	Control – Throttle	"3"	30 1	915032	Nut	"18"	6 1
115620	Cover – Console, 5–Gage	"3"	9 1	915732	Nut – Elastic	"45"	8 6
115783	Shield – Muffler	"23"	23 1	915740	Nut	"4"	6 2
115877	Battery – 280 CCA	"43"	29 1	920242	Spacer	"19"	31 4

*Not Illustrated

TORO PART NUMBER INDEX (Cont.)

3317-377

Part No.	Description	Pg. Ref. No. No. Qty.	Part No.	Description	Pg. Ref. No. No. Qty.
926671	Bolt	"45" 44 3	NN10190	Gasket	"35" 19 1
926671	Screw – Cap Hex. Hd.	"5" 4 1	NN10211	Cap – Fuel Fitting	"7" 17 1
926694	Bolt	"5" 3 2	NN10212	Pump – Fuel	"7" 14 1
926694	Bolt	"14" 33 1	NN10227	Rod – Governor Control	"36" 7 1
926694	Screw – Cap Hex. Hd.	"4" 13 14	NN10239	Fitting – Barbed	"35" 18 1
926794	Bolt	"7" 2 2	NN10253	Cable – Spark Plug	"34" 9 2
933135	Pin – Spirol	"13" 23 1	NN10274	Switch – High Engine Temp	"43" 11 1
933198	Pin – Spirol	"13" 3 1	NN10277	Fuse – 30 Amp, ATO or ATC	"45" 1 1
933198	Pin – Spirol	"8" 7 1	NN10278	Connector – Male	"43" 14 1
933274	Pin – Spirol	"41" 29 1	NN10279	Contact – Socket	"43" 25 1
933504	Pin – Cotter	"12" 27 1	NN10281	Connector – Male	"43" 26 1
933505	Hairpin – Cotter	"21" 8 1	NN10302	Line – Fuel 7"	"7" 13
937089	Key – Hi-Pro	"15" 7 1	NN10306	Hose – Fuel	"36" 18 1
937089	Key – Woodruff	"39" 8 1	NN10348	Clip – Wire	"7" 24 1
937099	Key – Woodruff	"11" 27 1	NN10362	Washer – Flat	"36" 4 1
937108	Key – Woodruff	"11" 14 1	NN10370	Screw – Cap Hex Hd.	"27" 19 2
937108	Key – Woodruff	"10" 22 1	NN10373	Screw – Cap Hex Hd.	"32" 4 2
943021	Elbow	"45" 12 1	NN10375	Screw – Cap Hex. Hd.	"36" 12 4
950154	Clamp – Corbin	"45" 14 1	NN10379	Screw – Cap Hex Hd.	"31" 7 4
973310	"O" Ring	"8" 17 4	NN10390	Screw – Hex. Washer Hd.	"35" 13 1
973370	"O" Ring	"15" * 1	NN10394	Screw – Hex Washer Hd.	"33" 17 2
973370	"O" Ring	"8" 20 4	NN10425	Washer – Int. Tooth	"43" 24 1
979120	Spacer	"21" 5 2	NN10446	Cover – Air Cleaner	"35" 6 1
9080026	Bolt	"15" 1 1	NN10447	Hose	"35" 22 1
9080026	Bolt	"39" 5 1	NN10448	Tube – Oil Fill	"31" 11 1
9080026	Bolt – Nylok	"41" 17 4	NN10506	Filter – Fuel	"7" 11 1
9080196	Screw – Cap Hex. Hd.	"15" 19 1	NN10508	Bracket – Cable	"25" 3 1
9080356	Bolt	"11" 6 1	NN10511	Lever – Choke	"38" 11 1
9080376	Bolt	"18" 27 2	NN10545	Screw – Cap Hex. Hd.	"36" 15 2
9080406	Bolt	"11" 10 1	NN10545	Screw – Cap Hex. Hd.	"33" 25 4
9080406	Screw – Cap Hex. Hd.	"15" 6 1	NN10545	Screw – Hex. Washer Hd.	"34" 6 2
9107922	Screw	"3" 28 4	NN10553	Harness – Engine Wiring	"43" 27 1
9108652	Screw	"6" 38 4	NN10656	Swivel – Choke Lever	"38" 9 1
9114584	Bolt	"13" 18 2	NN10769	Housing – Blower	"25" 43 1
9157404	Nut – Lock	"3" 27 4	NN10773	Crankshaft	"30" 11 1
9201604	Washer – Lock	"45" 25 1	NN10774	Element – Air Cleaner	"35" 1 1
9202164	Washer	"18" 24 1	NN10790	Line – Fuel 12"	"7" 12 1
9202254	Washer	"40" 14 2	NN10811	Kit – Shaft, Throttle	"37" 1 1
9202324	Washer	"8" 27 1	NN10821	Cover – Valve	"27" 21 1
9202414	Washer	"13" 25 1	NN10824	Switch – Low Oil Pressure	"43" 12 1
9202624	Washer	"18" 9 1	NN10824	Switch – Low Oil Pressure	"32" 6 1
9266714	Bolt – Hex	"43" 17 2	NN10825	Kit – Gearcase	"33" 27 1
9266944	Bolt – Flange	"6" 18 2	NN10830	Plug – Cap	"38" 7 1
9266944	Screw – Hex. Hd.	"6" 13 4	NN10832	Bracket – Governor Adjust	"25" 40 1
9321204	Pin – Clevis	"8" 3 1	NN10858	Jet – Power, Fixed, Optional	"37" 8 1
9329974	Pin – Clevis	"8" 23 1	NN10859	Jet – Idle	"37" 6 1
9335054	Pin – Cotter	"9" 2 1	NN10877	Spring – Governor Rod	"36" 8 1
9335054	Pin – Cotter	"9" 7 1	NN10886	Seal – Dust	"28" 6 1
9335054	Pin – Cotter, Hair	"41" 7 1	NN10894	Drain – Oil Filter	"32" 9 1
9335064	Pin – Cotter, Hair	"41" 26 1	NN10895	Gasket – Gearcase Mtg.	"33" 8 1
9335074	Pin – Cotter	"9" 12 2	NN10929	Kit – Mounting Bracket	"28" 5 1
111216	Switch – Ignition	"45" 27 1	NN10930	Cap – Starter, Solenoid	"28" 10 1
12-3270	Screw – Hex. Hd.	"23" 3 3	38-1420	Switch – Seat	"45" 37 1
NN10082	Lock – Valve Spring	"27" 8 8	55-3570	Cap – Fuel	"7" 9 1
NN10125	Standard	"27" 43 2	57-8000	Bearing – Camshaft	"27" 59 2
NN10126	.010" Undersize	"27" 43 2	57-8010	Gasket – Bearing Plate	"27" 27 1
NN10127	.020" Undersize	"27" 43 2	57-8020	Standard	"27" 52 1
NN10128	.030" Undersize	"27" 43 2	57-8030	.010" Undersize	"27" 52 1
NN10132	Nut	"35" 20 1	57-8050	Standard	"27" 29 1
NN10143	Filter – Oil	"32" 7 1	57-8060	.010" Undersize	"27" 29 1
NN10159	Cap & Indicator – Oil Fill	"31" 13 1	57-8090	Gasket – Oil Base	"31" 5 1
NN10176	Wrapper – Element	"35" 2 1	57-8130	Gear – Crankshaft	"30" 12 1
NN10187	Tube – Air Intake	"35" 17 1	57-8140	Washer – Gear	"30" 13 1

*Not Illustrated

TORO PART NUMBER INDEX (Cont.)

Part No.	Description	Pg. Ref. No. No. Qty.	Part No.	Description	Pg. Ref. No. No. Qty.
57-8150	Screw - Cap Hex Hd.	"29" 1 1	59-0120	.005" Oversize	"27" 46 2
57-8160	Washer - Thrust	"27" 35 2	59-0130	.010" Oversize	"27" 46 2
57-8170	Shim - Crankshaft .005"	"27" 28A/R	59-0140	.025" Oversize	"27" 46 2
57-8180	Gear - Ring	"29" 6 1	59-0180	Side - Right	"27" 39 1
57-8210	Gear - Camshaft	"30" 5 1	59-0260	.002" Oversize	"27" 9 4
57-8230	Washer - Thrust, Special	"30" 6 1	59-0280	Spring - Bypass Valve	"27" 4 1
57-8280	Gasket - Valve Cover	"27" 18 2	59-0290	Tube - Oil, Cylinder Block	"27" 51 1
57-8330	Gasket - Cylinder Head	"27" 38 2	59-0360	Tube - Vacuum Port	"33" 23 1
57-8410	Bolt - Connecting Rod	"27" 44 4	59-0370	Cap - Vacuum Port	"33" 22 1
57-8450	Standard	"27" 9 4	59-0400	Pin - Center	"30" 7 1
57-8460	Gasket Kit - Oil Pump	"27" 58 1	59-0420	Yoke - Governor Shaft	"33" 2 1
57-8470	Plunger - Bypass Valve	"27" 3 1	59-0430	Spring - Idle Setting	"25" 6 1
57-8480	Pump - Oil	"27" 54 1	59-0450	Cup - Governor	"30" 3 1
57-8490	Cup - Intake, Oil Pump	"31" 4 1	59-0470	Bracket - Choke Cable	"38" 1 1
57-8580	Baffle - Breather Tube	"27" 11 1	59-0580	Clamp - Wire, Alternator	"25" 15 1
57-9050	Jet - Power	"37" 7 1	59-0590	Terminal - Stator Leads	"33" 18 2
57-9090	Ring - Retaining	"30" 1 1	59-0720	Pin - Cotter	"38" 10 1
57-9100	Spring - Governor	"25" 8 1	59-0720	Pin - Cotter	"25" 30 1
57-9120	Bushing - Control Arm	"25" 9 1	59-0730	Pin - Drive, Bearing Stop	"27" 26 4
57-9120	Swivel - Throttle Lever	"25" 32 1	59-0740	Pin - Dowel, Governor	"33" 9 1
57-9130	Hub - Governor Cup	"30" 2 1	59-0750	Pin - Alignment, Gear Cover	"27" 53 2
57-9180	Link - Choke	"38" 3 1	59-0790	Stud - Gear Cover	"33" 29 1
57-9190	Clamp - Cable	"25" 2 1	59-0810	Washer - Flat	"29" 3 1
57-9190	Clamp - Cable	"25" 27 1	59-0820	Washer - Flat	"27" 22 1
57-9190	Clip - Choke Cable	"38" 4 1	59-0820	Washer - Flat	"25" 34 4
57-9210	Gasket - Exhaust	"23" 19 2	59-0830	Washer - Flat	"25" 4 2
57-9340	Plug - Spark	"34" 8 2	59-0830	Washer - Flat	"25" 13 2
57-9360	.002" Undersize	"27" 52 1	59-0830	Washer - Flat	"25" 23 1
57-9430	Regulator - Voltage 20 Amp	"33" 12 1	59-0850	Washer - Flat	"38" 12 1
57-9550	Clamp - Vacuum Port Cap	"33" 21 1	59-0880	Screw - Cap Flanged Hd.	"27" 32 5
57-9570	Seal - Oil, Governor Shaft	"33" 5 1	59-0900	Screw - Cap Hex Hd	"27" 41 18
57-9580	Seal - Oil, Crankshaft	"33" 26 1	59-0910	Screw - Cap Hex Hd.	"27" 5 1
57-9590	Seal - Oil, Crankshaft Rear	"27" 31 1	59-0950	Screw - Mach. Pan Hd.	"33" 1 2
57-9610	"O" Ring	"31" 12 1	59-0970	Screw - Tapping, Fl. Hd.	"25" 44 2
57-9620	"O" Ring	"36" 5 1	59-0980	Screw - Tapping, Fl. Hd.	"25" 35 4
57-9630	Bearing - Ball, Gov. Shaft	"33" 7 1	59-0980	Screw - Tapping, Wash. Hd.	"25" 14 2
57-9640	Ball - Governor	"30" 4 5	59-1010	Screw - Self Tap. Fl. Hd.	"25" 28 1
57-9650	Bearing - Governor Shaft	"33" 6 1	59-1030	Screw - Tapping Hex. Hd.	"25" 5 1
57-9660	Key - Crankshaft Gear	"30" 15 1	59-1050	Screw - ST Pan Hd	"7" 16 2
57-9660	Key - Woodruff	"30" 8 1	59-1050	Screw - Self Tap. Fl. Hd.	"25" 36 1
57-9690	Plug - Welch, Camshaft	"27" 25 1	59-1080	Screw - Cap Hex. Fl. Hd.	"25" 18 4
57-9700	Clip - Retaining, Control	"36" 6 1	59-1080	Screw - Cap Hex. Wash. Hd.	"33" 11
57-9710	Ring - Retaining	"30" 14 1			
57-9720	Ring - Retaining	"27" 48 4	59-1100	Screw - Lock Hd.	"25" 38 2
57-9730	Clip - Retaining	"36" 9 1	59-1130	Nut - Hex.	"33" 28 1
57-9730	Clip - Retaining, Control Rod	"33" 4	59-1180	Capacitor	"35" 14 1
57-9740	Washer - Flat, Copper	"27" 20 2	62-2740	Kit - Brush, Starter	"28" 13 1
57-9750	Washer - Flat	"32" 3 2	62-2760	Kit - Bushing, Starter	"28" 12 1
57-9750	Washer - Flat	"33" 24 5	62-2760	Kit - Hardware, Starter	"28" 4 1
57-9760	Washer - Flat, Copper	"27" 2 1	62-2770	Kit - Shift Lever, Starter	"28" 8 1
57-9770	Washer - Flat	"28" 2 2	62-2790	Assembly - Carburetor	"36" 10 1
57-9770	Washer - Flat	"27" 40 18	62-2800	Kit - Float	"37" 3 1
57-9790	Nut	"27" 47 4	62-7770	Key - Padded Ignition	"45" 23 2
57-9800	.020" Undersize	"27" 52 1	66-0120	Knob - Throttle Control	"3" 29 2
59-0010	.030" Undersize	"27" 52 1	71-5730	Base - Oil	"31" 8 1
59-0020	.002" Undersize	"27" 29 1	71-5770	Valve - Intake	"27" 37 2
59-0030	.020" Undersize	"27" 29 1	71-5780	Valve - Exhaust	"27" 45 2
59-0040	.030" Undersize	"27" 29 1	71-5790	Spring - Valve	"27" 6 4
59-0050	Standard	"27" 36 2	71-5800	Washer - Valve Spring	"27" 7 4
59-0080	.010" Oversize	"27" 36 2	71-5810	Side - Left	"27" 39 1
59-0100	Standard	"27" 46 2	71-5830	Cap - Valve	"27" 17 4
59-0110	.002" Oversize	"27" 46 2	71-5920	Flywheel	"29" 5 1
			71-5980	Gasket - Manifold To Block	"36" 16 2

*Not Illustrated

TORO PART NUMBER INDEX (Cont.)

3317-377

Part No.	Description	Pg. Ref. No. No.	Qty.	Part No.	Description	Pg. Ref. No. No.	Qty.
71-5990	Cover - Plunger, Ignition	"34"	1 1	79-2130	Board - Light Circuit	"45"	19 1
71-6000	Coil - Battery Ignition	"34"	7 1	79-2660	Gauge - Vacuum	"45"	11 1
71-6010	Rotor - Ignition	"34"	13 1	79-3180	Terminal - Ground	"7"	7 1
71-6040	Starter - Solenoid Shift,	"28"	3 1	79-3630	Assembly - Wire Harness	"45"	48 1
71-6060	Clip - Wire	"34"	10 1	79-4020	Plate - Front	"4"	18 1
71-6080	Bracket - Lift	"25"	19 2	79-4890	Panel - LH	"3"	18 1
71-6140	Grommet - Rubber	"35"	16 1	79-4990	Bracket - Support, Fender	"6"	28 1
71-6170	Seal - Oil Fill Tube	"31"	9 1	79-5020	Tube	"15"	29 1
71-6180	Seal - Intake Valve	"27"	23 2	79-5120	Hoodstand	"4"	14 1
71-6190	Key - Flywheel	"29"	7 1	79-5130	Cover - Side, LH	"4"	16 1
71-6220	Clip	"43"	22 1	79-5220	Engine - 20HP	"23"	7 1
71-6220	Clip - Wire	"34"	11 2	79-5270	Filter - Oil	"15"	24 1
71-6220	Clip - Wire	"25"	17 1	79-5700	Bellcrank	"9"	14 1
71-6220	Clip - Wire	"36"	19 1	79-5720	Trunnion	"9"	5 1
71-6250	Guide - Valve, Exhaust	"27"	24 2	79-6280	Head - Cylinder	"27"	39 2
71-6260	Guide - Valve, Intake	"27"	24 2	79-6330	Housing - Air Cleaner	"35"	11 1
71-6290	Kit - Gasket Complete	"27"	57 1	79-6340	Support - Air Cleaner	"35"	12 1
71-6310	Pin - Piston	"27"	49 2	79-6370	Arm - Governor Control	"25"	7 1
71-6320	Camshaft	"30"	9 1	79-6390	Bracket - Gov. Control	"25"	26 1
71-6340	Screw	"29"	8 6	79-6400	Bushing - Gov. Control	"25"	25 1
71-6380	Control - Ignition	"33"	14 1	79-6420	Adapter - Governor Arm	"25"	37 1
71-6410	Insulator - Ignition, Module	"33"	15 1	79-6440	Screen - Air Inlet	"29"	4 1
71-6430	Nut - Hex. Flange Hd.	"34"	5 1	79-6460	Bracket - Fill Tube	"31"	2 1
71-6440	Nut - Hex. Flange Hd.	"34"	4 1	79-6470	Gasket - Oil Filter Adapter	"32"	1 1
71-6460	Screw - Hex Washer Hd.	"34"	12 1	79-6490	Gasket - Plate	"34"	14 1
72-3860	Kit - Shaft, Choke	"37"	4 1	79-6510	Spacer - Stud	"35"	3 1
72-3870	Kit - Lever, Choke	"37"	5 1	79-6520	Spacer - Rubber	"35"	7 1
72-3880	Screw - Cap Flange Hd.	"38"	2 1	79-6580	Screw - Cap Hex. Hd.	"28"	1 2
72-3890	Screw - Hex. Hd.	"25"	33 1	82-0020	Plate - Bearing, Rear	"27"	30 1
72-3890	Screw - Machine, Hex. Hd.	"38"	8 1	82-0500	Adapter - Oil Filter	"32"	2 1
72-3900	Screw - Flange Hd.	"38"	5 1	82-0530	Clamp - Tube, Breather	"27"	12 1
72-3900	Screw - Tapping Hex Hd.	"25"	1 1	82-0540	Tube - Breather	"27"	10 1
72-3930	Kit - Solenoid, Starter	"28"	9 1	82-0550	Cap & Valve - Breather	"27"	15 1
72-3940	Assembly - Clutch, Starter	"28"	7 1	82-0560	Screen - Tube, Breather	"27"	14 2
76-1340	Decal - Made in U.S.A.	"47"	15 1	82-0570	"O"Ring - Cap, Breather	"27"	13 1
76-1420	Steering Wheel	"18"	15 1	82-0620	Guard - Stationary	"25"	39 1
78-0020	Hourmeter	"45"	50 1	82-0650	Cover - Element	"35"	8 1
78-0030	Voltmeter	"45"	54 1	82-0680	Filter - Gasket Oil	"32"	8 1
78-0040	Gauge - Fuel	"45"	53 1	82-0780	Kit - Repair	"37"	2 1
78-0060	Tachometer	"45"	51 1	82-0850	Gasket - Carb. Mounting	"37"	9 2
78-0080	Bracket - Mounting	"45"	2 2	82-0850	Gasket - Carb/Manifold	"36"	11 1
78-0090	Bracket - Mounting	"45"	52 1	82-1000	Body - Terminal Conn. Kit	"33"	13 2
78-0100	Bracket - Mounting	"45"	9 2	82-1070	Fitting - Barbed	"36"	3 1
78-0370	Insert - Logo	"18"	14 1	82-1080	Clamp	"35"	21 1
78-1411	Support - Steering	"18"	22 1	82-1080	Clamp - Hose	"7"	10 6
78-1450	Shaft	"18"	20 1	82-1080	Clamp - Hose 1/2" Dia.	"36"	2 2
78-1481	Pinion	"18"	8 1	82-1090	Clamp - Hose .44" Dia.	"36"	2 1
78-1490	Shaft - Lower Steering	"19"	32 1	82-1120	Hose - Breather	"36"	1 1
78-1531	Shim 0.010	"18"	25 3	82-1130	Plug - Sq. Hd.	"31"	10 2
78-1540	Bracket - Control, Lower	"3"	25 1	82-1310	Washer - Flat	"31"	6 4
78-1540	Bracket - Control, Lower	"14"	47 1	82-1310	Washer - Lock	"27"	33 5
78-2680	Frame	"20"	9 1	82-1320	Washer - Flat	"29"	2 1
78-2990	Plate - Seat Pivot	"6"	15 1	82-1340	Washer - Flat	"34"	2 2
78-3320	Bracket - Mounting	"45"	49 1	82-1340	Washer - Flat	"27"	55 2
78-5631	Bracket - Control	"13"	5 1	82-1350	Nut	"28"	11 1
78-5640	Bar - Lift	"8"	5 1	82-1350	Washer - Flat	"36"	13 6
78-5660	Lever - Motion Control	"13"	2 1	82-1360	Screw - Cap Hex. Hd.	"34"	3 2
78-6020	Rod - Pivot	"14"	40 1	82-1370	Screw - Cap Hex. Hd.	"27"	56 2
78-7740	Arm - Brake Pivot	"12"	18 1	82-1370	Screw - Hex. Hd.	"25"	21 1
78-8350	Decal - Indicator Lights	"47"	21 1	82-1480	Screw - Tapping Round Hd.	"27"	16 1
78-8500	Lever - Parking Brake	"13"	22 1	82-1500	Screw - Machine, Hex Hd.	"33"	20 3
79-0450	Lamp - .938" Long	"45"	10 4	82-1510	Screw - Cap Hex. Hd.	"32"	10 2
79-1350	Pedal - Brake	"12"	1 1	82-1540	Screw	"43"	23 1

*Not Illustrated

TORO PART NUMBER INDEX (Cont.)

Part No.	Description	Pg. Ref. No. No.	Qty.	Part No.	Description	Pg. Ref. No. No.	Qty.
82-1540	Screw - Hex. Washer Hd.	"25"	16 1	92-9833	Decal - 520 Hydro	"47"	9 2
82-1540	Screw - Hex. Washer Hd.	"36"	17 1	92-9834	Decal - Hood LH	"47"	2 1
82-1550	Screw - Hex. Washer Hd.	"35"	9 2	92-9834	Decal - Hood LH	"2"	16 1
82-1560	Screw - Pan Hd.	"31"	1 1	92-9835	Decal - Hood RH	"2"	* 1
82-1590	Screw - Pan Hd. Taptite	"25"	42 4	92-9835	Decal - Hood RH	"47"	1 1
82-1600	Screw - Cap Hex Fl. Hd.	"25"	11 2	92-9836	Plate - Wheel Horse Logo	"47"	20 1
82-1620	Washer - Lock	"25"	22 1	92-9836	Plate - Logo	"2"	1 1
82-1660	Washer - Int. Tooth Lock	"33"	16 2	92-9838	Decal - Danger	"3"	13 1
82-1670	Knob	"35"	5 1	92-9838	Decal - Danger	"47"	16 1
82-1700	Nut - Speed Type U	"31"	3 1	93-1613	Latch - Front Hitch	"20"	18 1
82-1800	Standard	"27"	42 2	237-69	"O"Ring	"18"	13 1
83-2720	Bolt - Lug	"40"	7 10	281-10	Plug - Pipe	"10"	20 2
83-2820	Spring	"14"	53 1	281-10	Plug - Pipe	"15"	27 3
83-6520	Rod - Lock	"20"	15 1	288-4	Cap	"23"	10 1
86-9280	Tube - Hydraulic (Pressure)	"8"	21 1	302-5	Fitting - Grease	"12"	26 1
86-9290	Tube - Hydraulic (Return)	"8"	32 1	302-5	Fitting - Grease	"19"	39 4
88-2790	Decal - Danger	"47"	19 1	302-5	Fitting - Grease, Straight	"19"	46 2
88-2790	Decal - Danger	"10"	23 1	302-16	Fitting - Grease	"19"	28 1
88-3200	Decal - Maintenance	"47"	17 1	321-3	Screw - Cap Hex. Hd.	"4"	3 2
88-3220	Seat	"6"	1 1	321-4	Bolt	"13"	6 2
88-3230	Kit - Armrest	"6"	* 1	321-4	Screw	"8"	10 1
88-3240	Block - Bearing	"18"	26 1	321-4	Screw - Cap Hex. Hd.	"43"	4 2
92-0270	Washer	"3"	10 4	321-6	Bolt	"14"	42 1
92-0900	Block - Cylinder (Short)	"27"	1 1	321-8	Bolt	"6"	19 2
92-0902	.010" Oversize	"27"	42 2	321-9	Screw - Hex. Hd.	"13"	17 1
92-0903	.020" Oversize	"27"	42 2	321-11	Bolt	"8"	31 2
92-0904	.030" Oversize	"27"	42 2	322-1	Bolt	"19"	33 1
92-0905	Standard	"27"	50 2	322-1	Screw - Cap Hex. Hd.	"3"	21 2
92-0906	.005" Oversize	"27"	50 2	322-2	Bolt	"7"	22 3
92-0907	.010" Oversize	"27"	50 2	322-3	Bolt	"14"	46 2
92-0908	.020" Oversize	"27"	50 2	322-3	Screw - Cap Hex. Hd.	"4"	17 5
92-0909	.030" Oversize	"27"	50 2	322-3	Screw - Cap Hex. Hd.	"15"	20 2
92-0911	Sleeve - Bearing	"30"	10 1	322-3	Screw - Cap Hex. Hd.	"23"	22 4
92-0912	Elbow - Street 45°	"32"	5 1	322-3	Screw - Cap Hex. Hd.	"3"	23 3
92-0913	Nut - Wing	"35"	4 1	322-3	Screw - Cap Hex. Hd.	"6"	26 4
92-0915	Screw - Machine Hex. Hd.	"35"	10 2	322-4	Bolt	"6"	10 2
92-0916	Screw - Shoulder	"38"	6 1	322-5	Bolt	"9"	3 1
92-0918	Manifold - Intake	"36"	14 1	322-5	Screw - Cap Hex. Hd.	"5"	7 2
92-0920	Housing - Cylinder Air, LH	"25"	12 1	322-5	Screw - Cap Hex. Hd.	"6"	33 4
92-0921	Housing - Cylinder Air, RH	"25"	20 1	323-6	Bolt	"18"	4 2
92-0967	Stator	"33"	19 1	323-6	Bolt	"39"	1 2
92-0986	Bracket - Arm L.H.	"6"	7 1	323-7	Screw - Cap Hex. Hd.	"23"	16 4
92-0987	Bracket - Arm R.H.	"6"	3 1	323-7	Screw - Cap Hex. Hd.	"41"	8 1
92-0988	Rest - Arm	"6"	4 2	323-8	Bolt	"13"	28 1
92-0989	Screw	"6"	5 2	323-8	Screw - Cap Hex. Hd.	"23"	18 4
92-0990	Screw	"6"	8 2	323-8	Screw - Hex. Hd.	"14"	38 1
92-0991	Nut - Acorn Lock	"6"	9 2	323-9	Bolt	"18"	11 6
92-0992	Screw	"6"	2 6	323-9	Bolt	"12"	20 1
92-0993	Spacer - Nylon	"6"	6 4	323-9	Bolt	"13"	27 1
92-0995	Shaft - Upper Steering	"18"	12 1	323-9	Screw - Hex. Hd.	"11"	24 1
92-1527	Guard - Belt	"5"	2 1	323-15	Bolt	"11"	9 2
92-7293	Plate - Hoodstand, Top	"4"	8 1	323-23	Bolt	"12"	15 1
92-7295	Plate - Hoodstand, Rear	"3"	4 1	323-25	Screw - Cap Hex. Hd.	"15"	4 2
92-7297	Transaxle	"10"	* 1	323-25	Screw - Hex. Hd.	"11"	22 3
92-7298	Case - Transaxle, RH	"10"	11 1	323-26	Screw - Hex. Hd.	"11"	21 1
92-8747	Decal - Attach-A-Matic	"20"	6 2	323-44	Screw - Cap Hex. Hd.	"20"	11 6
92-8747	Decal - Attach-A-Matic	"47"	12 1	3217-5	Nut	"13"	10 2
92-8749	Decal - Unidrive	"47"	11 1	3217-7	Nut	"23"	13 4
92-8946	Decal - Danger	"47"	8 1	3217-27	Nut - Hex.	"45"	4A/R
92-8946	Decal - Danger	"4"	10 1	3218-1	Nut - Jam	"41"	36 2
92-9826	Decal - Front	"2"	2 1	3218-3	Nut	"10"	3 2
92-9826	Decal - Front Hood	"47"	5 1	3218-3	Nut	"11"	17 2
92-9827	Decal - Rear Fender	"47"	4 1	3220-1	Nut	"13"	8 3

*Not Illustrated

TORO PART NUMBER INDEX (Cont.)

3317-377

Part No.	Description	Pg. Ref. No. No. Qty.	Part No.	Description	Pg. Ref. No. No. Qty.
3220-11	Nut	"19" 36 2	3272-1	Pin - Cotter	"8" 4 2
3229-25	Bolt - Carriage	"2" 11 4	3272-1	Pin - Cotter	"2" 14 2
3229-25	Bolt - Carriage	"41" 33 2	3272-6	Pin - Cotter	"12" 24 2
3230-1	Bolt - Carriage	"5" 5 1	3272-7	Pin - Cotter	"19" 29 4
3231-25	Bolt - Carriage	"20" 5 3	3272-10	Pin - Cotter	"41" 6 3
3235-22	Bolt	"12" 16 1	3272-11	Pin - Cotter	"18" 5 1
3235-22	Screw - Hex. Hd., Nylon	"7" 25 1	3272-11	Pin - Cotter	"12" 8 2
3242-2	Screw - Set	"15" *40 2	3272-11	Pin - Cotter	"8" 22 1
3243-5	Screw - Set	"10" 2 2	3272-12	Pin - Cotter	"40" 13 2
3243-5	Screw - Set	"11" 16 2	3272-21	Pin - Cotter	"18" 19 1
3245-32	Screw - Set	"12" 4 1	3272-22	Pin - Cotter	"18" 23 1
3247-4	Setscrew - Socket Hd.	"27" 34 2	3290-378	Tie - Cable	"43" * 7
3250-31	Screw (Optional)	"45" 29 4	3296-4	Nut	"14" 50 1
3253-2	Washer - Lock	"33" 10 3	3296-27	Nut	"45" 32 4
3253-3	Washer - Lock	"43" 2 2	3296-29	Nut	"9" 19 1
3253-3	Washer - Lock	"41" 11 2	3296-29	Nut	"14" 48 2
3253-4	Washer - Lock	"15" 21 2	3296-29	Nut	"8" 14 1
3253-4	Washer - Lock	"23" 21 4	3296-29	Nut - Lock	"5" 1 8
3253-4	Washer - Lock	"7" 23 2	3296-29	Nut - Lock	"4" 5 1
3253-4	Washer - Lock	"19" 34 1	3296-29	Nut - Lock	"6" 12 2
3253-4	Washer - Lock	"6" 34 4	3296-29	Nut - Lock	"3" 16 11
3253-5	Nut - Hex. Washer Hd.	"35" 15 1	3296-39	Nut	"18" 1 2
3253-5	Washer	"27" 33 5	3296-39	Nut	"9" 6 1
3253-15	Washer - Lock	"45" 21 2	3296-39	Nut	"10" 8 3
3253-17	Washer - Lock	"7" 8 5	3296-39	Nut	"12" 9 1
3253-21	Washer - Lock	"21" 2 4	3296-39	Nut	"18" 10 4
3253-21	Washer - Lock	"39" 2 2	3296-39	Nut	"12" 21 1
3253-21	Washer - Lock	"23" 12 4	3296-39	Nut	"13" 32 2
3254-1	Washer - Lock	"45" 31 4	3296-39	Nut	"23" 14 4
3254-2	Washer - Internal Tooth	"2" 18 1	3296-39	Nut - Lock	"20" 4 9
3254-8	Washer - Lock	"19" 48 1	3296-39	Nut - Lock	"41" 14 1
3255-25	Washer - Lock	"45" 3 2	3296-39	Nut - Lock	"15" 23 4
3256-4	Washer	"7" 1 2	3296-42	Nut	"8" 2 2
3256-4	Washer	"12" 22 1	3296-42	Nut	"13" 7 4
3256-4	Washer	"13" 29 2	3296-42	Nut	"8" 12 1
3256-6	Washer	"12" 23 2	3296-42	Nut - Lock	"43" 1 5
3256-21	Washer - Flat	"45" 20 2	3296-42	Nut - Lock	"2" 15 4
3256-22	Washer	"13" 16 2	3296-42	Nut - Lock	"6" 16 2
3256-22	Washer	"2" 17 3	3296-45	Nut - Lock	"15" 17 1
3256-22	Washer	"6" 20 2	32103-22	Nut - Wing	"43" 5 2
3256-22	Washer - Flat	"43" 3 4	32115-5	Nut - Speed	"3" 2 12
3256-22	Washer - Flat	"41" 35 2	32120-47	Ring - Retaining	"9" 16 1
3256-23	Washer	"9" 18 1	32120-47	Ring - Retaining	"14" 35 2
3256-23	Washer	"6" 24 4	32120-47	Ring - Retaining	"13" 20 4
3256-23	Washer - Flat	"5" 8 2	32120-62	Ring - Snap, Internal	"41" 24 1
3256-23	Washer - Flat	"3" 26 4	32120-64	Ring - Retaining	"15" 30 1
3256-23	Washer - Flat	"8" 15 2	32120-72	Ring - Snap, External	"41" 22 2
3256-24	Washer	"12" 10 2	32121-111	Pin - Spirol	"18" 16 1
3256-24	Washer - Flat	"23" 17 4	32128-33	Nut - Lock, Flange Hd.	"3" 6 2
3256-26	Washer	"9" 1 1	32136-5	Nut - Slotted	"40" 10 2
3256-26	Washer	"18" 7 1	32146-17	Nut	"13" 15 1
3256-26	Washer - Flat	"21" 7 1	32151-11	Ring - Retaining	"41" 2 1
3256-26	Washer - Flat	"15" 16 1	32151-29	Ring - Retaining	"19" 42 2
3256-27	Washer - Flat	"41" 28 1	32151-91	Ring - Retainer	"9" 10 2
3256-62	Washer	"9" 9 3	32312-94	Pin - Spirol	"14" 37 1
3257-24	Key - Woodruff	"15" 14 1			

*Not Illustrated

IDENTIFICATION AND ORDERING

MODEL AND SERIAL NUMBERS

The 520 H has two identification numbers; a model number and a serial number. The two numbers are stamped on a plate which is located on the main frame under the seat. In any correspondence concerning the 520H H, supply model and serial numbers to assure that correct information and replacement parts are obtained.

To order replacement parts from an Authorized TORO Service Dealer, supply the following information:

1. Model and serial number of the 520 H.
2. Part number, description, and the quantity of part(s) desired.

NOTE: Do not order by reference number if a parts catalog is being used; use the PART NUMBER.

TABLE OF CONTENTS

Description	Page	Description	Page
Hood Assembly	2	Starter	28
Dash and Side Panels Assembly	3	Blower Screen and Ring	29
Hoodstand Assembly	4	Camshaft & Crankshaft	30
Belt Guard and Footrest Assembly	5	Oil Fill Tube, Bracket & Base	31
Seat, Fender And Fender Supports	6	Oil Filter and Low Oil Pressure Cut-Off Switch	32
Fuel Tank And Fuel Pump	7	Gearcase & Ignition Controls	33
Hydraulic Control System	8	Ignition – Electronic	34
Hydrostatic Lift Linkage	9	Air Cleaner	35
Transaxle	10	Intake Manifold	36
Clutch, Brake & Speed Control Linkage	12	Carburetor Assembly	37
Clutch, Brake Motion Control Linkage	13	Choke Control (Front Pull)	38
Hydrostatic Transmission	15	Drive Belt and Pulleys	39
Hydraulic Pump And Motor	16	Wheel and Tires	40
Front Axle Axle And Steering	18	PTO Control & Clutch	41
Front & Side Hitch Assembly	20	Battery & Headlights Assembly	42
Rear Hitch Assembly	21	Electrical System	44
Engine and Exhaust	22	Wiring Diagram	46
Blower Housing and Governor	24	Decals	47
Engine Cylinder Block	26	Numerical Parts Index	48

Optional Equipment

Description	Model / Part No.	Description	Model / Part No.
36" Rear Discharge Deck – Low Cut	78300	36" Tiller	79370
42" Side Discharge Deck – Low Cut	78346	Chrome Rear Hubcap w/logo	114428
48" Side Discharge Deck	78360	Tube Rear	109546
Rear Wheel Weights	81115	Tube Rear Cleat	100291
42" Rear Discharge Deck – Low Cut	78351	Tire Rear Cleat	7607
Rear Wheel Weights (Flush)	81117	Tube Front	100079
48" Dozer Blade	79350	Cleated Tire Wheel Asm LH	110933
Front Wheel Weights	81214	Cleated Tire Wheel Asm RH	110934
50" Grader Blade	79351	Wheel Rear Cleat	110677
Tire Chains	82522		
42" Single Stage Snowthrower	79360	Kits	
Clevis Hitch	85518	Front Weight	81125
44" Two Stage Snowthrower	79361	Recycler (42" R.D. Deck Only)	86001
*Auxiliary Fuel Tank	83300	Dual Wheel	80732.D.
Vacuum/Blower (42" & 48" S.D. Mower Only)	79301	Mower Only)	0701MC
Chrome Front Hubcap w/logo	114427		

* CAN NOT BE USED WITH CLEVIS HITCH OR REAR BAGGER