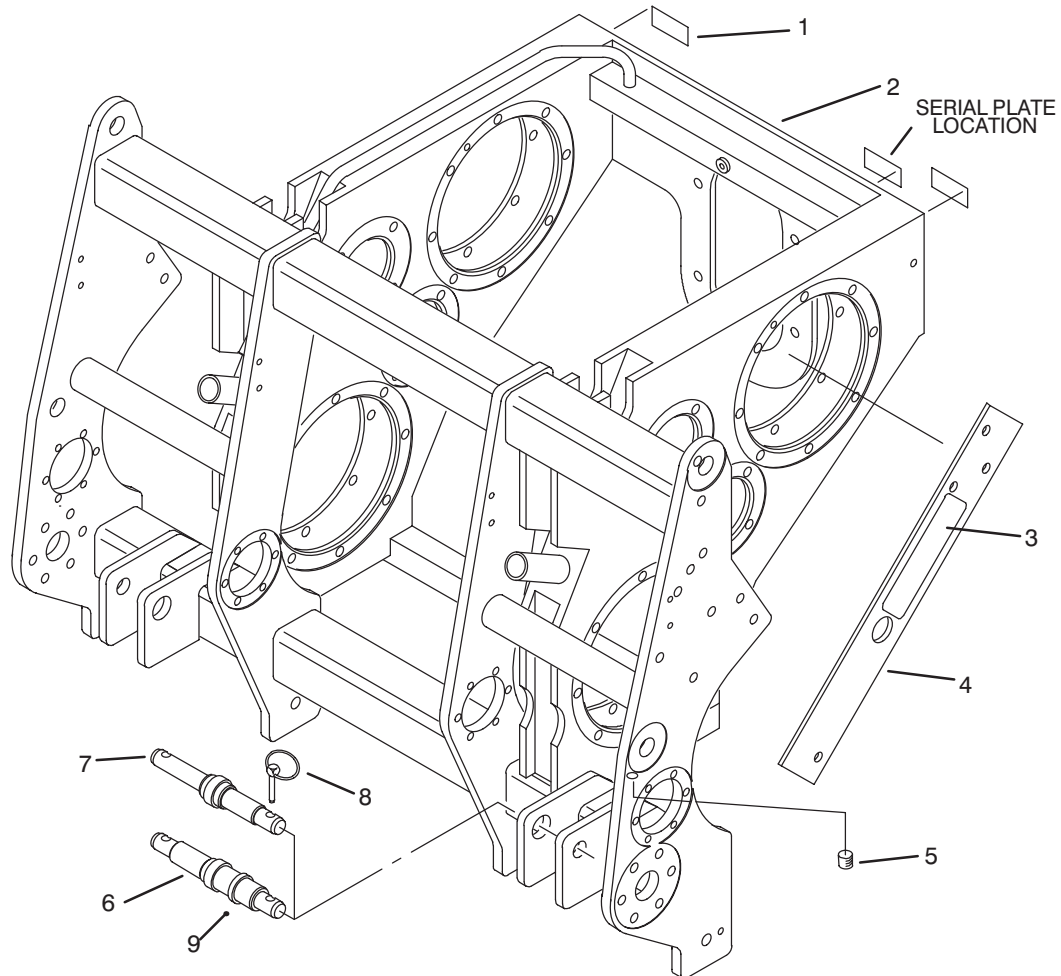




MODEL NO. 09600-50001 & UP

PARTS
CATALOG

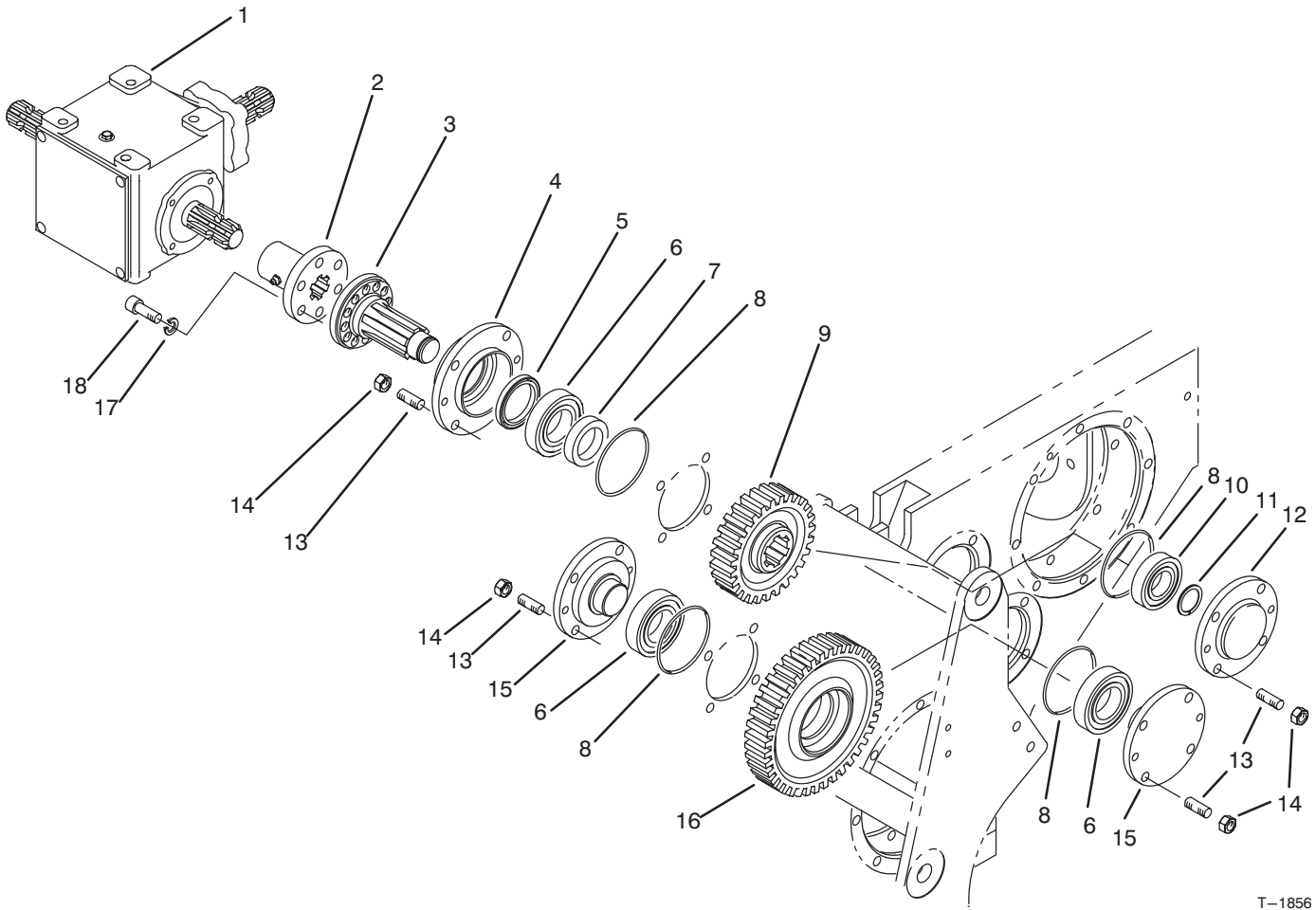
HC 4000 AERATOR



T-1855A

FRAME & LINK PIN ASSEMBLY

Ref. No.	Part No.	Description	No. Used	Ref. No.	Part No.	Description	No. Used
1	59-9930	Decal - Danger	2	7	92-9864	Pin 'A' - Link, Lower (.87 & 1" Dia.)	2
2	92-9366	Frame	1	8	283-71	Pin - Lynch	4
3	82-3220	Decal - Bar, Timing	1	9	93-8753	Washer - Spacer, .88	4
4	92-9876	Bar - Timing	1	*	93-8754	Washer - Spacer, 1.00	4
5	285-21	Plug - Pipe	2	*	93-8755	Washer - Spacer, 1.12	4
6	92-9865	Pin 'B' - Link, Lower (1.12 & 1.25" Dia.)	2	*	93-8756	Washer - Spacer, 1.25	4

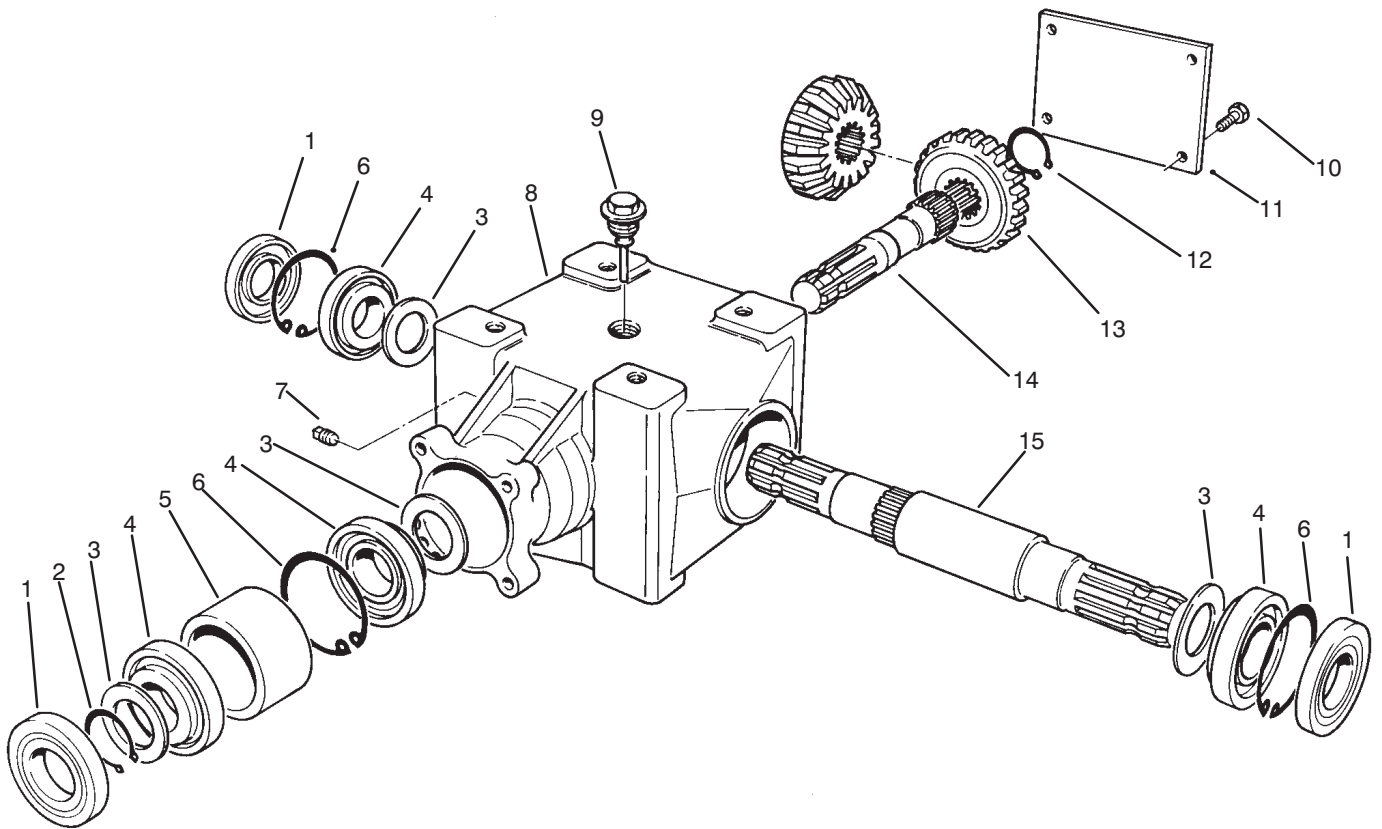


T-1856

SPLINED SHAFT & IDLER GEARS ASSEMBLY

Ref. No.	Part No.	Description	No. Used
1	77-3050	Gear Box	1
2	76-3710	Coupling - Flange, Splined	2
3	92-9360	Shaft - Drive, Splined	2
4	92-9362	Housing - Bearing	2
5	92-9875	Seal	2
6	70-9220	Bearing	6
7	92-9361	Spacer	2
8	92-3013	O-Ring, Seal	8
9	92-9359	Gear - Drive, Input	2

Ref. No.	Part No.	Description	No. Used
10	72-3820	Bearing	2
11	92-9873	Ring - Retaining	2
12	92-9363	Housing - Bearing	2
13	92-3005	Stud	32
14	92-3006	Nut	32
15	92-9364	Flange - Gear, Idler	4
16	92-9365	Gear - Idler	2
17	3253-7	Washer - Lock	12
18	3274-89	Screw - Hex. Socket Hd.	12



T-1127

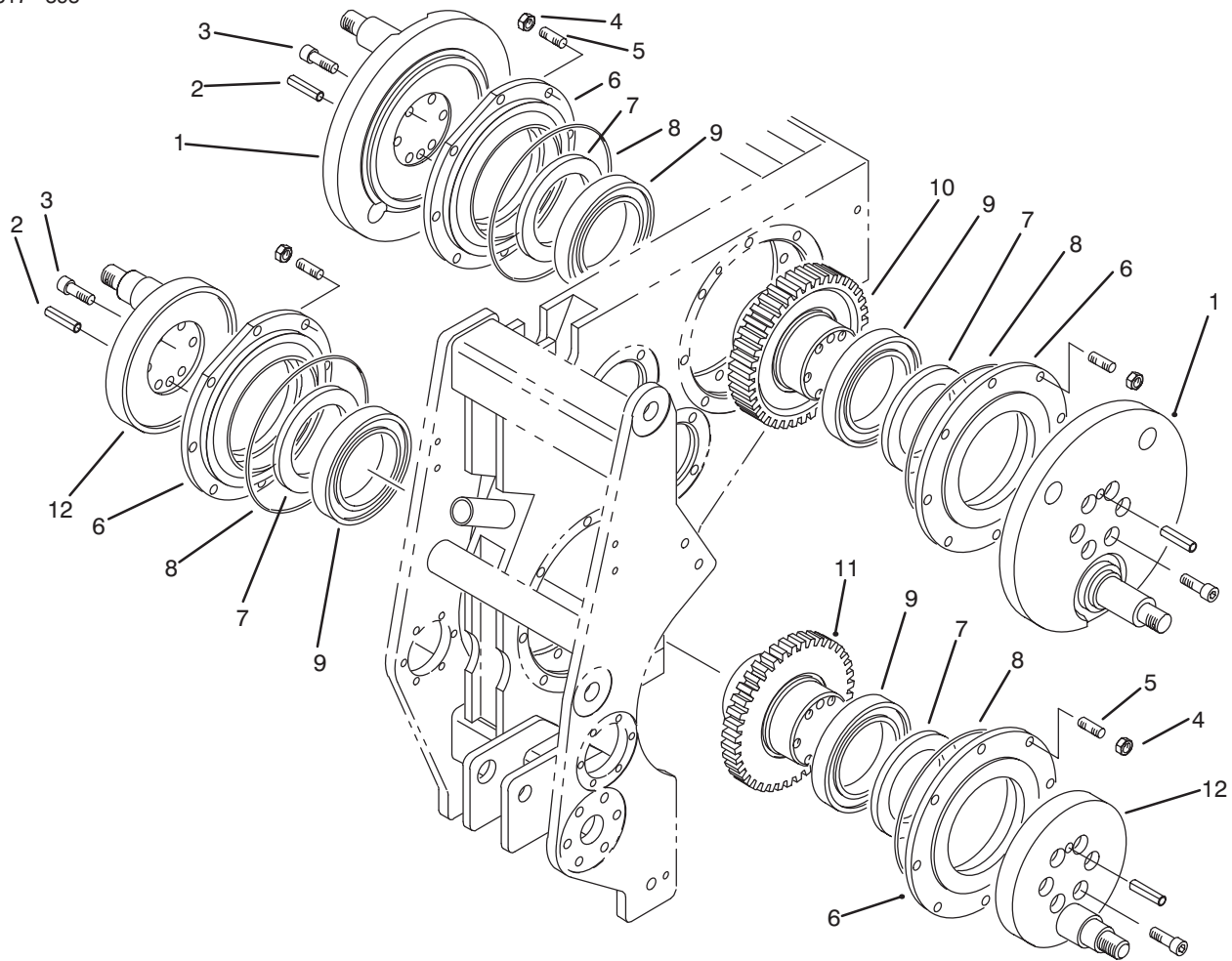
GEAR BOX 77-3050

Ref. No.	Part No.	Description	No. Used	Ref. No.	Part No.	Description	No. Used
1	74-3200	Seal - Oil	3	9	77-4490	Plug - Oil Level/Filler	1
2	74-2960	Ring - Retaining	1	10	77-4500	Bolt - Hex. Socket Hd.	4
†3	74-2990	Shim Kit	4	11	77-4470	Cover	1
4	71-6630	Bearing	4	12	77-4460	Ring - Retaining	1
5	77-4430	Spacer	1	13	77-4450	Gear - 18 Tooth	2
6	32120-31	Ring - Snap	3	14	77-4440	Shaft - Input	1
7	281-1	Plug - Pipe	1	15	77-4480	Shaft	1
*8		Case	1				

† Includes three (3) shims of various thickness to properly adjust gear backlash & shaft end play.

Required when replacing items #4, 5, & 13-15. Instruction sheet included

*Not Illustrated

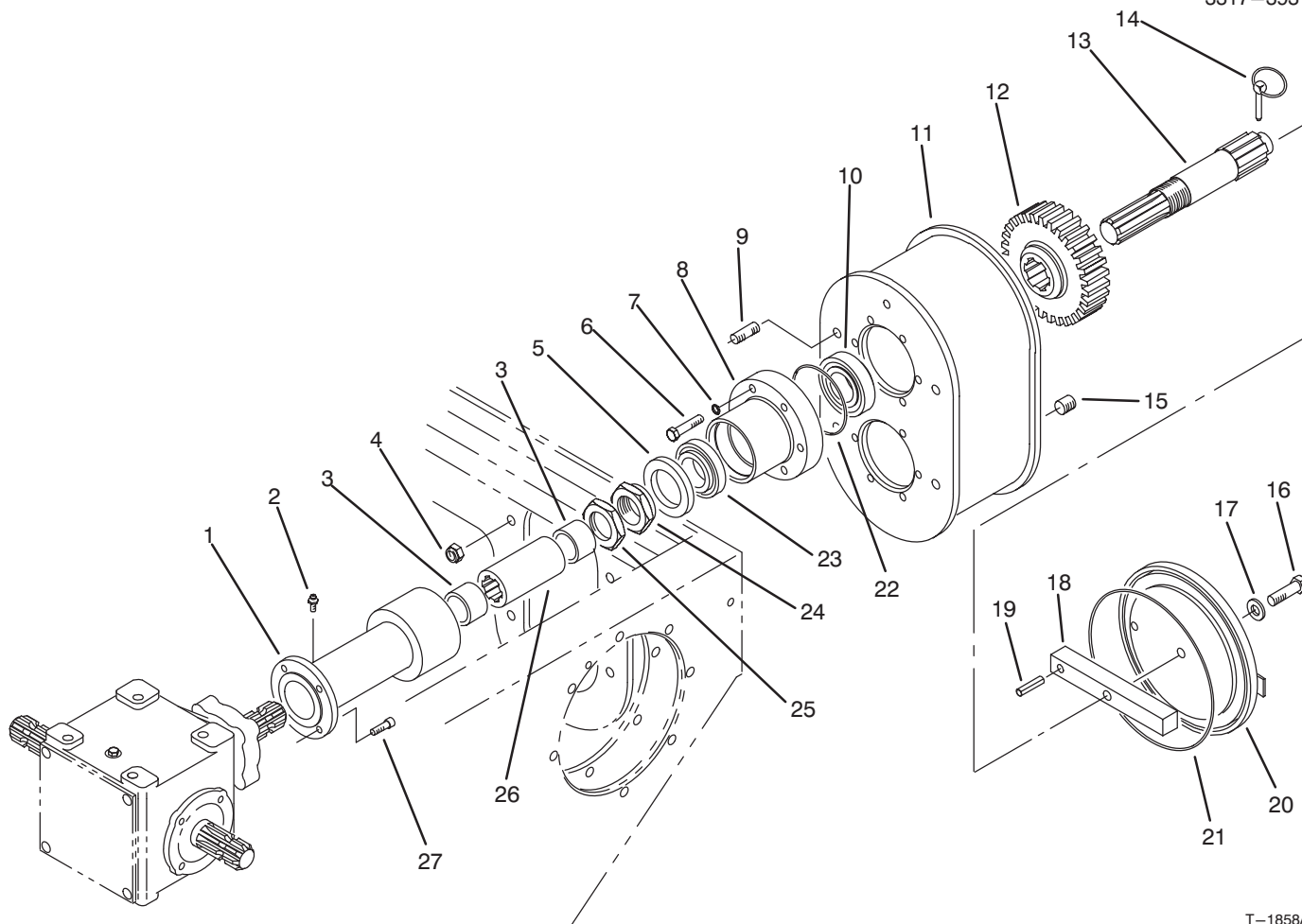


T-1857

CRANKSHAFT ASSEMBLY

Ref. No.	Part No.	Description	No. Used
1	92-9948	Assembly - Crank, Top	4
2	71-7100	Pin - Roll	8
3	3274-4	Screw - Hex. Socket Hd.	48
4	92-3006	Nut	64
5	92-3005	Stud	64
6	92-3000	Flange - Bearing, Crank	8

Ref. No.	Part No.	Description	No. Used
7	70-9340	Seal	8
8	92-3012	O-Ring, Seal	8
9	70-9330	Bearing	8
10	76-3650	Gear - Crank, Top	2
11	76-3660	Gear - Crank, Bottom	2
12	72-8100	Assembly - Crank, Bottom	4

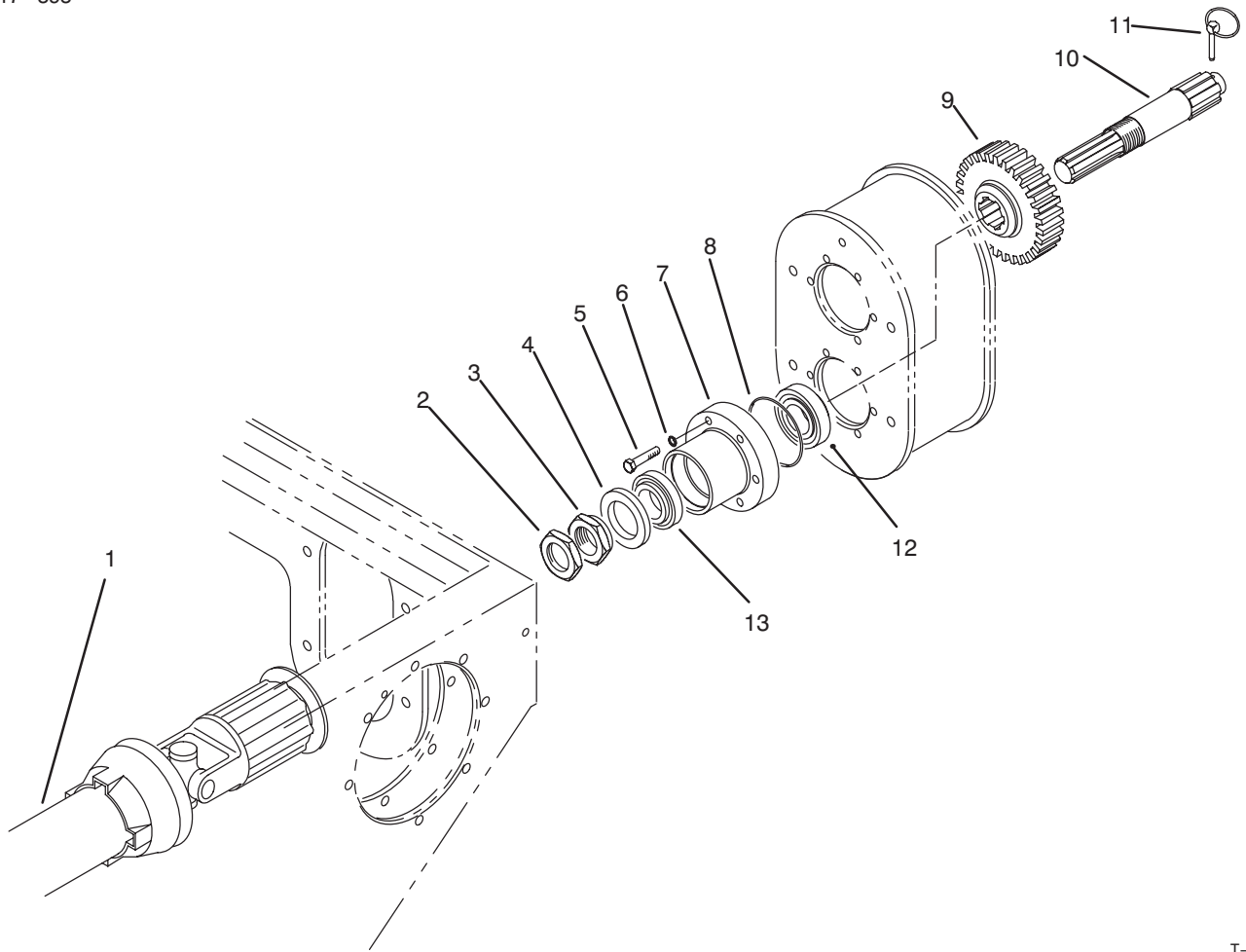


T-1858A

PICKOFF GEAR BOX ASSEMBLY

Ref. No.	Part No.	Description	No. Used
1	92-9424	Tube - Support	1
2	302-5	Fitting - Grease	1
3	92-9944	Spacer - Coupling	2
4	92-3006	Nut	4
5	71-6490	Seal	1
6	323-9	Screw - Cap Hex. Hd.	6
7	3253-21	Washer - Lock	6
8	92-3010	Housing - Bearing	1
9	92-3005	Stud	4
10	71-6700	Bearing	1
11	92-9415	Housing W.A. - Gearbox	1
12	71-7400	Gear - 40 Tooth	1
*	71-7390	Gear - 39 Tooth	1
*	71-7380	Gear - 38 Tooth	1
*	71-7370	Gear - 37 Tooth	1
*	71-7360	Gear - 36 Tooth	1
*	71-7350	Gear - 35 Tooth	1
*	71-7340	Gear - 34 Tooth	1
*	71-7330	Gear - 33 Tooth	1

Ref. No.	Part No.	Description	No. Used
12	71-7320	Gear - 32 Tooth	1
*	71-7310	Gear - 31 Tooth	1
*	71-7300	Gear - 30 Tooth	1
13	92-9943	Shaft - Output	1
14	283-72	Pin - Lynch	1
15	285-21	Plug - Pipe	1
16	325-7	Screw - Cap Hex. Hd.	1
17	3256-5	Washer - Flat	1
18	92-9421	Bar - Latch	1
19	32121-49	Pin - Roll	1
20	92-9420	Cover - Hatch	1
21	92-3012	O-Ring, Seal	1
22	92-3013	O-Ring, Seal	1
23	71-6690	Bearing	1
24	93-8762	Nut	1
25	70-9720	Nut	1
26	92-9428	Coupling - Splined	1
27	92-9871	Screw - Hex. Socket Hd.	4

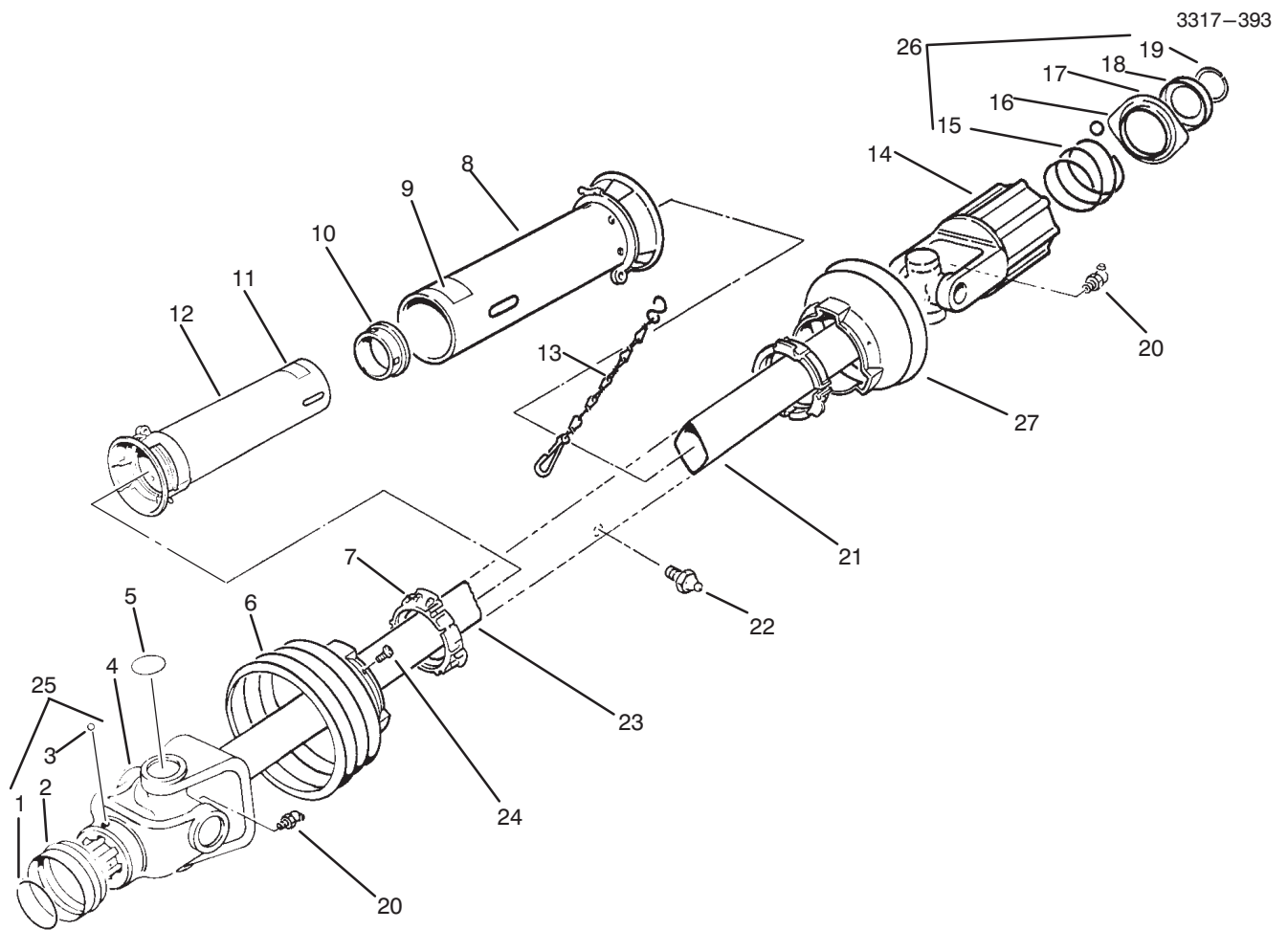


T-1859A

LOWER SHAFT ASSEMBLY

Ref. No.	Part No.	Description	No. Used
1	92-7939	Assembly - Shaft, Drive	1
2	70-9720	Nut	1
3	93-8762	Nut	1
4	71-6490	Seal	1
5	323-9	Screw - Cap Hex. Hd.	6
6	3253-21	Washer - Lock	6
7	92-3010	Housing - Bearing	1
8	92-3013	O-Ring, Seal	1
9	71-7400	Gear - 40 Tooth	1
*	71-7390	Gear - 39 Tooth	1
*	71-7380	Gear - 38 Tooth	1
*	71-7370	Gear - 37 Tooth	1

Ref. No.	Part No.	Description	No. Used
*	71-7360	Gear - 36 Tooth	1
*	71-7350	Gear - 35 Tooth	1
*	71-7340	Gear - 34 Tooth	1
*	71-7330	Gear - 33 Tooth	1
*	71-7320	Gear - 32 Tooth	1
*	71-7310	Gear - 31 Tooth	1
*	71-7300	Gear - 30 Tooth	1
10	92-9943	Shaft	1
11	283-72	Pin - Lynch	1
12	71-6700	Bearing	1
13	71-6690	Bearing	1



T-1869A

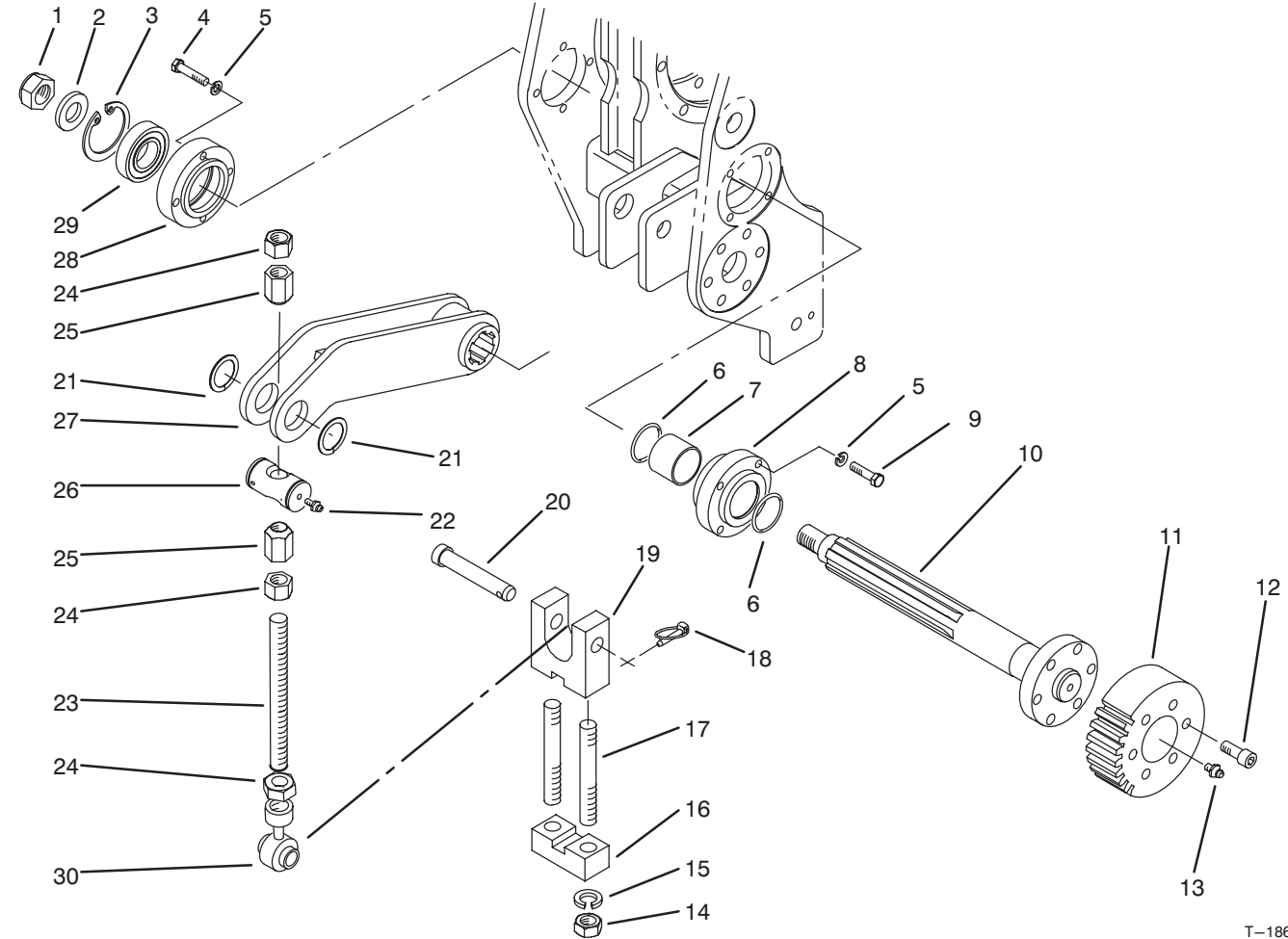
FRONT DRIVE LINE ASSEMBLY 92-7939

Ref. No.	Part No.	Description	No. Used
1		Ring – Retaining	1
2		Assembly – Collar	1
3		Ball	3
4	77-4710	Yoke	1
5	77-4720	Cross & Bearing Kit	2
6	77-4730	Cone – Shield	1
7	77-4740	Ring – Bearing	2
8	92-7934	Tube – Shield, Outer	1
9	92-7936	Decal – Out	1
10	77-4790	Bearing – Support	1
11	92-7937	Decal – In	1
12	92-7935	Tube – Inner, Shield	1
13	77-4760	Chain – Safety	1
14	77-4770	Clutch – Radial Pin	1
15		Spring – Compression	1

Ref. No.	Part No.	Description	No. Used
16		Ball	3
17		Collar – Lock	1
18		Ring – Flanged	1
19		Ring – Snap	1
20	92-7938	Fitting – Grease 45°	2
21		Outer Shaft & Yoke	1
22	84-6370	Fitting – Grease	1
23		Inner Shaft & Yoke	1
24		Screw	2
25	77-4670	Kit – Collar (Incl. Ref. #1-3)	1
26	77-4660	Kit – Flange (Incl. Ref. #15-19)	1
27	92-9887	Guard – Ring	1
*	92-7939	Drive Line (Complete)	1

*Not Illustrated

3317-393

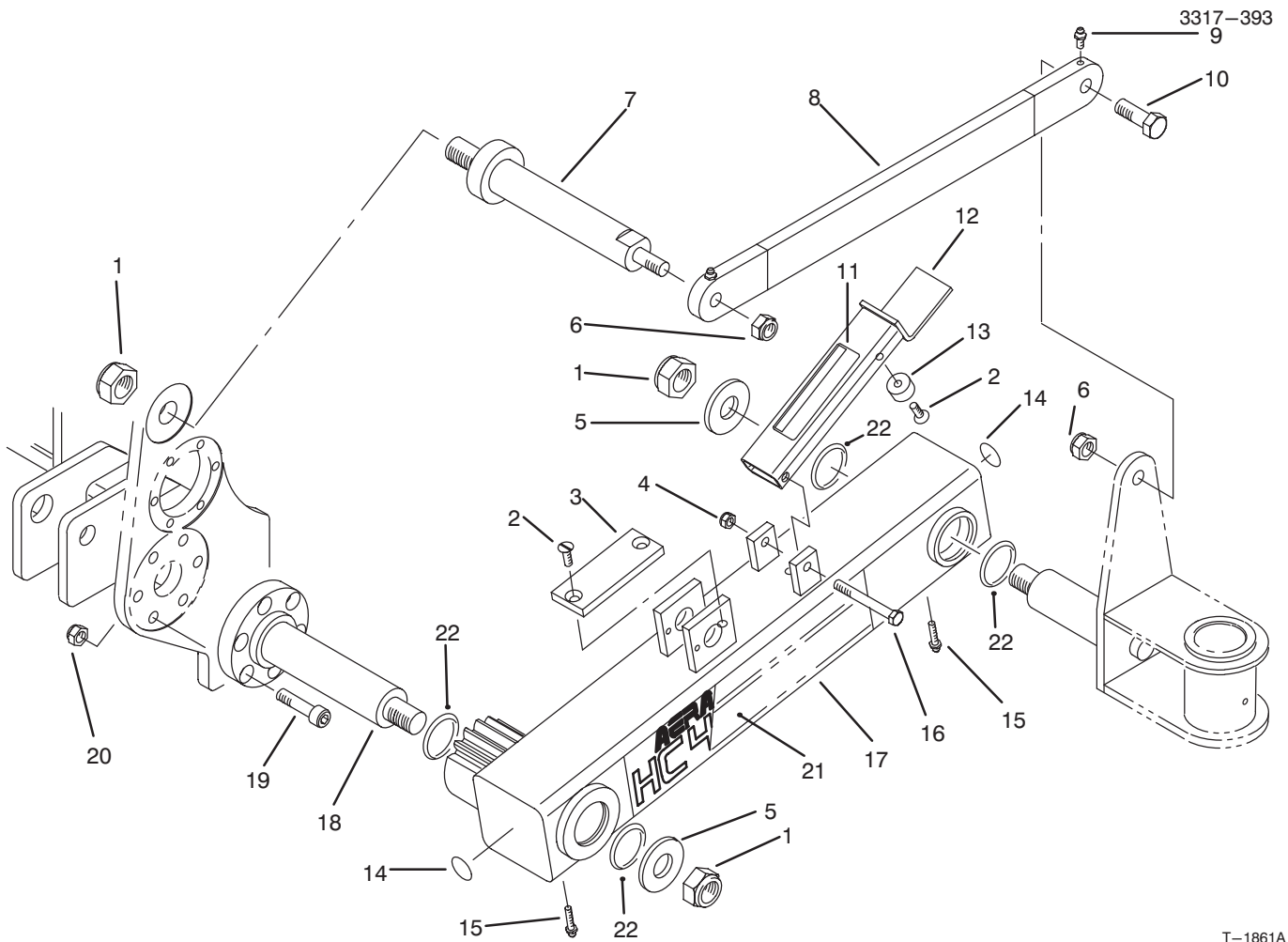


T-1860A

TORSION SHAFT & ARM ASSEMBLY

Ref. No.	Part No.	Description	No. Used
1	3296-70	Nut - Lock	2
2	92-9387	Washer	2
3	32151-88	Ring - Retaining	2
4	323-9	Screw - Cap Hex. Hd.	8
5	3253-21	Washer - Lock	16
6	237-38	O-Ring, Seal	4
7	92-9874	Bushing	4
8	92-9388	Housing - Outer, Shaft	2
9	323-8	Screw - Cap Hex. Hd.	8
10	92-9384	Shaft - Torsion	2
11	92-9390	Gear - Quadrant	2
12	3274-89	Screw - Hex. Socket Hd.	12
13	92-9872	Fitting - Grease	2
14	3217-12	Nut	4
15	3253-9	Washer - Lock	4

Ref. No.	Part No.	Description	No. Used
16	92-9407	Plate - Tie	2
17	92-9408	Stud	4
18	283-72	Pin - Lynch	2
19	92-9406	Bracket - Tie	2
20	92-9409	Pin - Tie	2
21	32120-30	Ring - Retaining	4
22	302-5	Fitting - Grease	2
23	92-9928	Rod - Adjuster	2
24	92-9414	Nut - Lock	6
25	92-9413	Nut - Adjuster	4
26	92-9405	Trunnion - Adjuster	2
27	92-9401	Arm W.A. - Torsion	2
28	92-9389	Housing - Shaft, Inner	2
29	251-314	Bearing	2
30	92-9926	Assembly - Ball End	2

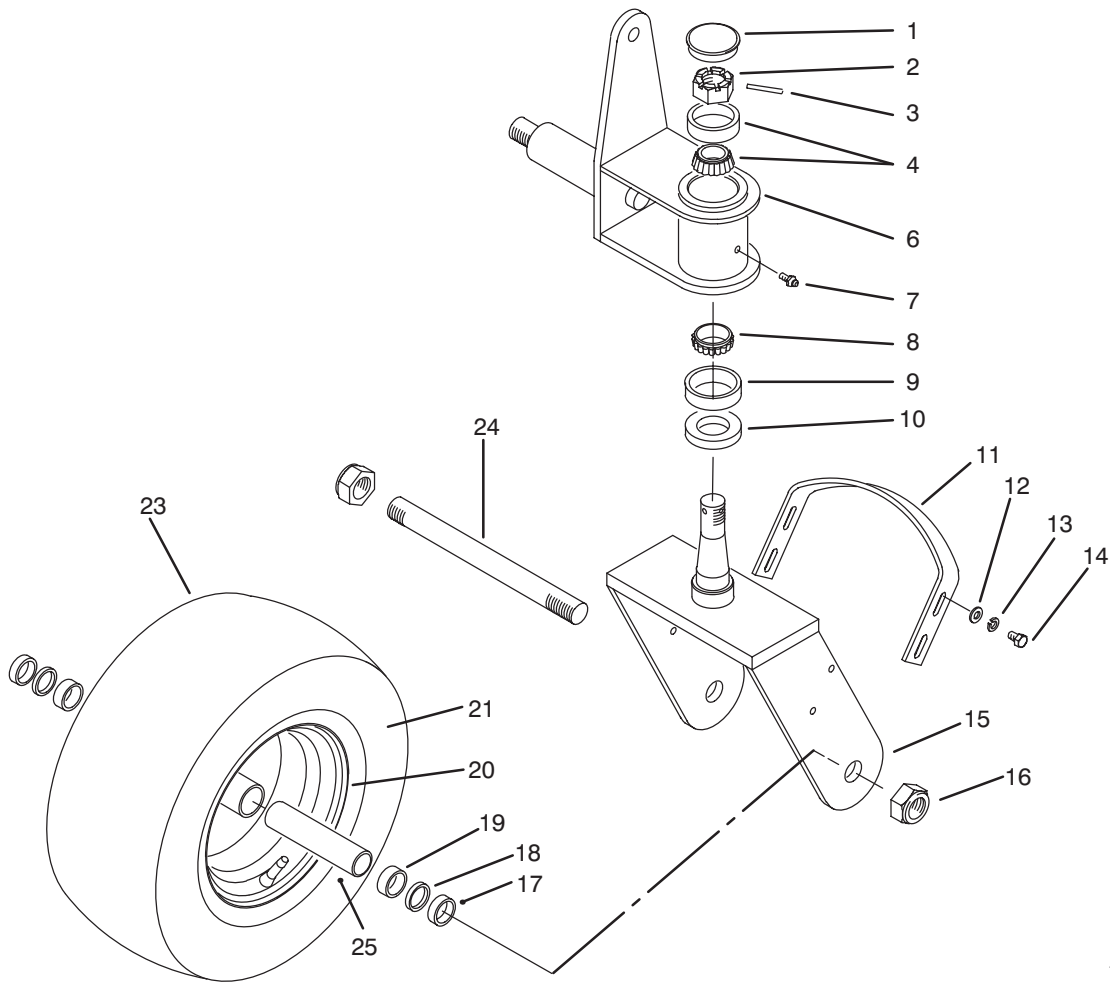


T-1861A

TRAILING & STABILIZING ARM ASSEMBLY

Ref. No.	Part No.	Description	No. Used
1	3296-70	Nut - Lock	6
2	32108-20	Screw - Flat Hd. Slotted	4
3	71-7510	Pad - Absorber, Shock	2
4	3296-39	Nut - Lock	2
5	92-9444	Washer	4
6	3296-61	Nut - Lock	2
7	92-9459	Shaft W.A. - Pivot	2
8	92-9461	Arm - Stabilizer	2
9	302-5	Fitting - Grease	4
10	327-5	Screw - Cap Hex. Hd.	2
11	65-5370	Decal	2
12	92-9478	Stop - Traveling	2

Ref. No.	Part No.	Description	No. Used
13	71-7530	Grommet	2
14	58-6520	Decal - Grease	4
15	302-64	Fitting - Grease	4
16	323-20	Screw - Cap Hex. Hd.	2
17	92-9445	Assy. - Trailing Arm, L.H.	1
*	92-9446	Assy. - Trailing Arm, R.H.	1
18	92-9441	Shaft W.A. - Trailing Arm	2
19	3274-5	Screw - Cap Hex. Socket	12
20	3296-23	Nut - Lock	12
21	92-3173	Decal	2
22	237-38	O-Ring	8

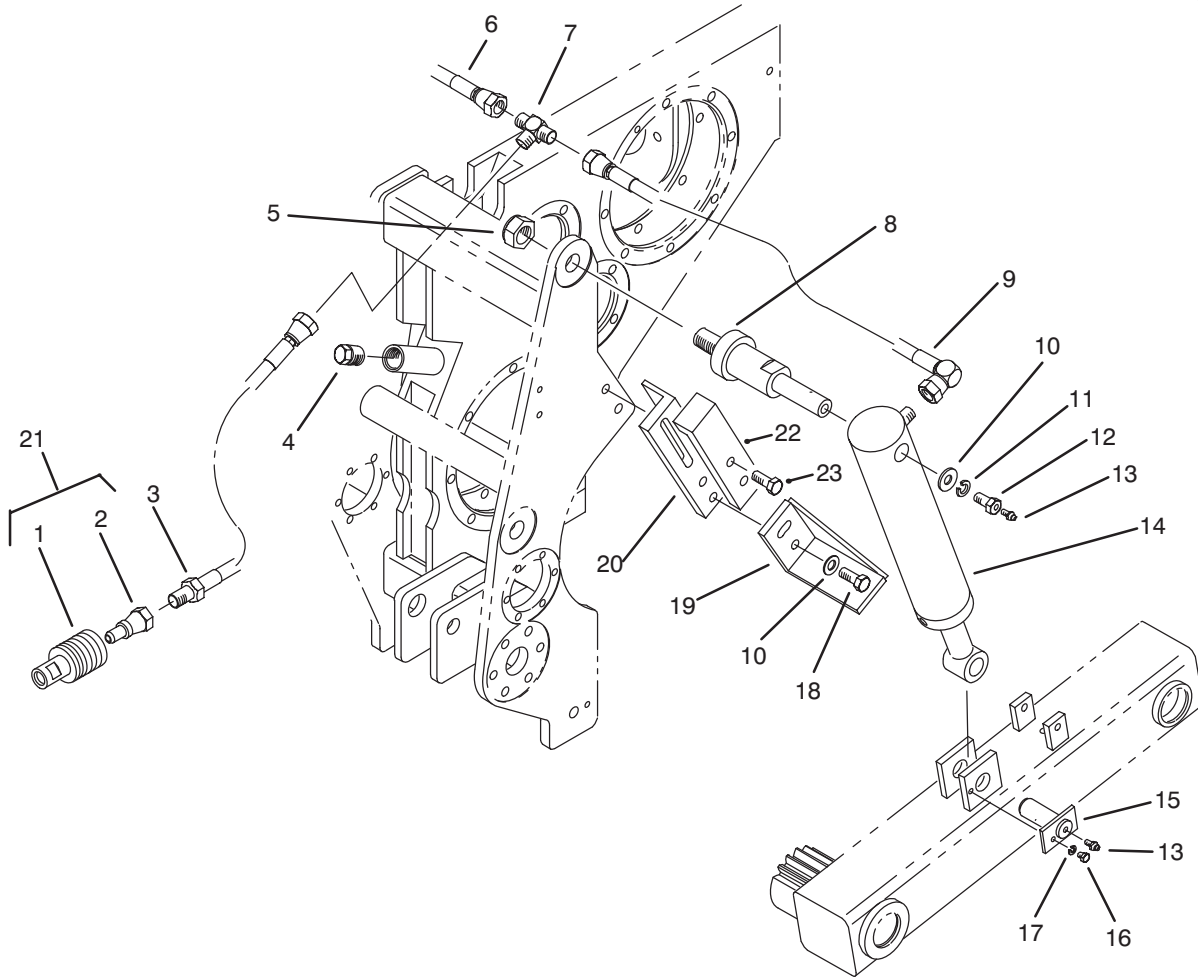


T-1862A

CASTOR WHEEL & FORK ASSEMBLY

Ref. No.	Part No.	Description	No. Used
1	92-9878	Cap	2
2	70-9460	Nut - Castle	2
3	32121-34	Pin - Roll	2
4	71-6780	Bearing	2
6	92-9464	Mount W.A. - Caster Brg.	2
7	302-5	Fitting - Grease	2
8	254-106	Cone	2
9	254-107	Cup	2
10	92-9879	Seal	2
11	92-9479	Scraper - Tire	2
12	3256-24	Washer - Flat	4
13	3253-4	Washer - Lock	4

Ref. No.	Part No.	Description	No. Used
14	322-3	Screw - Cap Hex. Hd.	4
15	92-9470	Fork W.A. - Caster	2
16	3296-70	Nut - Lock	4
17	71-6750	Spacer	4
18	253-163	Seal	4
19	251-350	Bearing	4
20	92-9880	Wheel	2
21	92-9881	Tube - Inner	2
23	92-9882	Tire	2
24	92-9475	Shaft - Axle	2
25	92-9945	Spacer - Tube	2



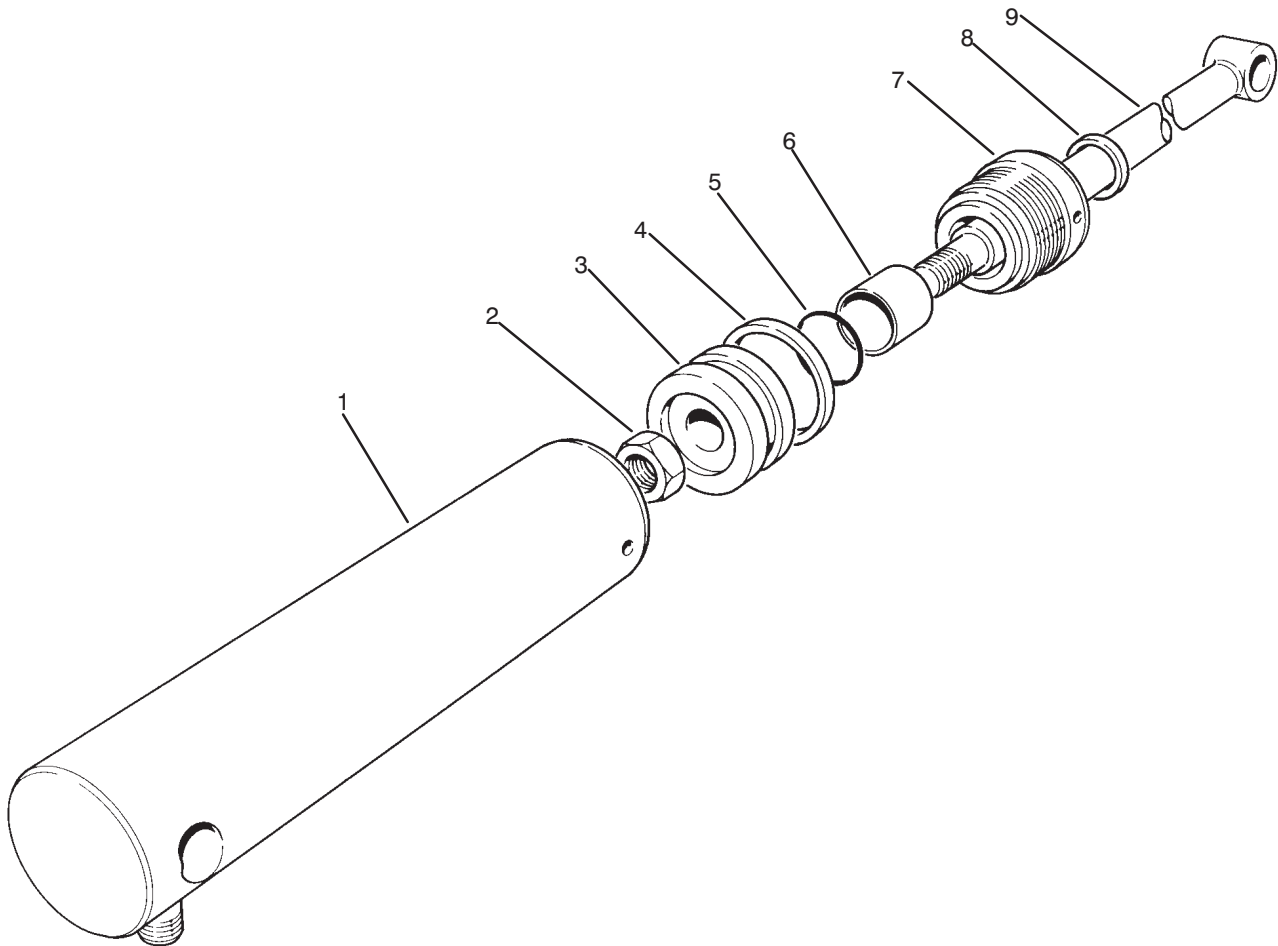
T-1863A

HYD. CYLINDER, HOSE & HEIGHT ADJUSTER ASSEMBLY

Ref. No.	Part No.	Description	No. Used
1		Body - Female	1
2		Tip - Male	1
3	92-9884	Hose - Hydraulic	1
4	285-20	Plug - Pipe	2
5	3296-70	Nut - Lock	2
6	92-9886	Hose - Hydraulic, Right	1
7	92-9883	Fitting - Tee	1
8	92-9453	Shaft - Mount, Cylinder	2
9	92-9885	Hose - Hydraulic, Left	1
10	3256-5	Washer - Flat	6
11	3253-7	Washer - Lock	2
12	92-9877	Screw - Special	2
13	302-5	Fitting - Grease	4

Ref. No.	Part No.	Description	No. Used
14	71-6560	Cylinder - Hydraulic	2
15	92-9456	Pin W.A. - Short	2
16	321-4	Screw - Cap Hex. Hd.	2
17	3253-3	Washer - Lock	2
18	325-5	Screw - Cap Hex. Hd.	4
19	92-9395	Foot W.A. - Height Adj. L.H.	1
*	92-9396	Foot W.A. - Height Adj. R.H.	1
20	92-9391	Adjuster - Height, L.H.	1
*	92-9392	Adjuster - Height, R.H.	1
21	71-7060	Coupler - Quick (Incl. Ref. #1 & 2)	1
22	93-8751	Depth Restrictor	2
23	325-8	Screw - Cap Hex. Hd.	4

*Not Illustrated



T-0899

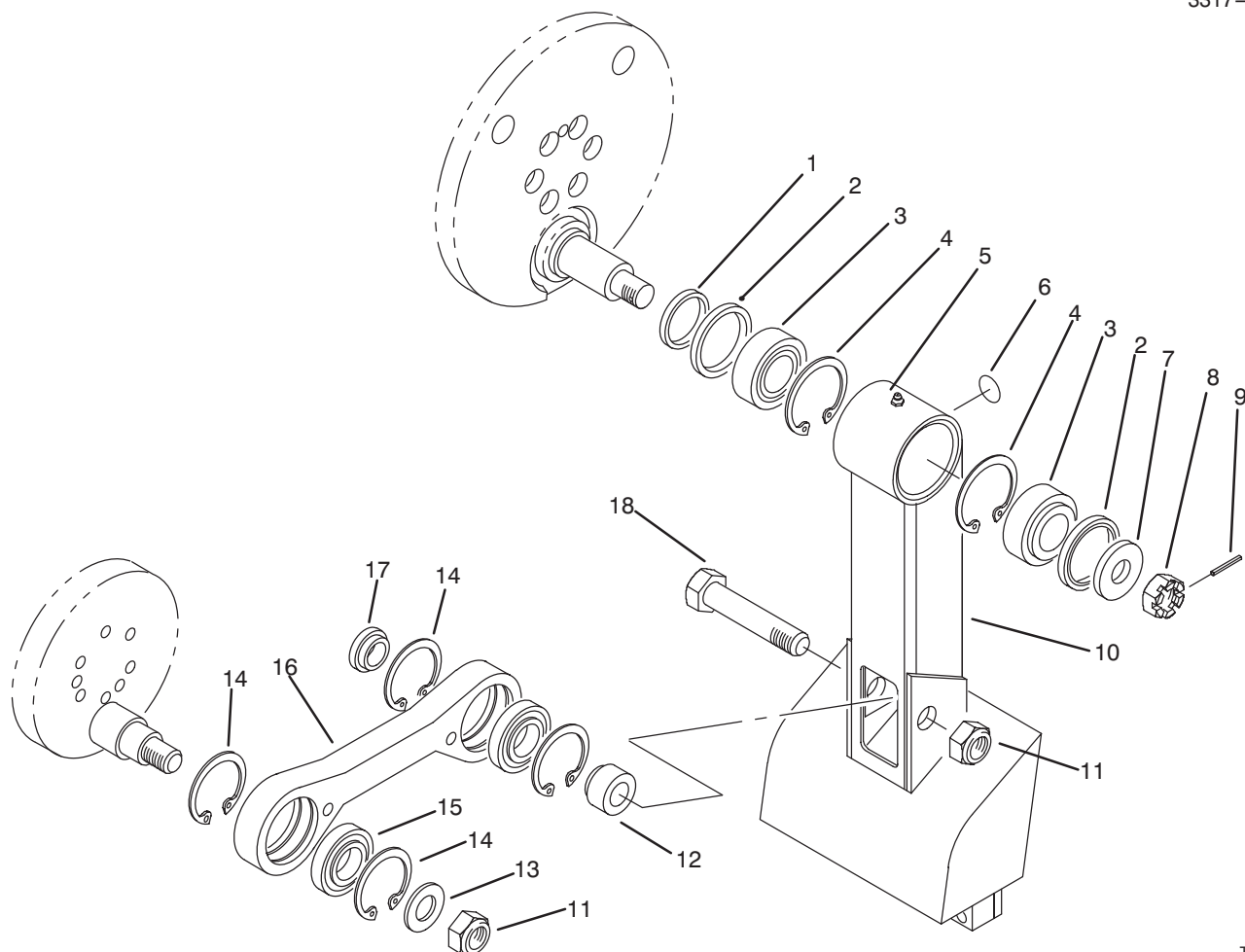
CYLINDER ASSEMBLY 71-6560

Ref. No.	Part No.	Description	No. Used
1		Barrel	1
†2		Nut	1
†3		Piston	1
†4		Seal - Piston	1
†5		O-Ring, Seal	1
†6		Bushing - Bronze	1

Ref. No.	Part No.	Description	No. Used
†7		Cap - End	1
†8		Seal - Wiper	1
†9		Rod	1
*	71-6560	Cylinder - Complete	1
*	71-6640	Kit - Seal (Incl. Ref. #4-6 & 8)	1

*Not Illustrated

† Not Serviced Separately

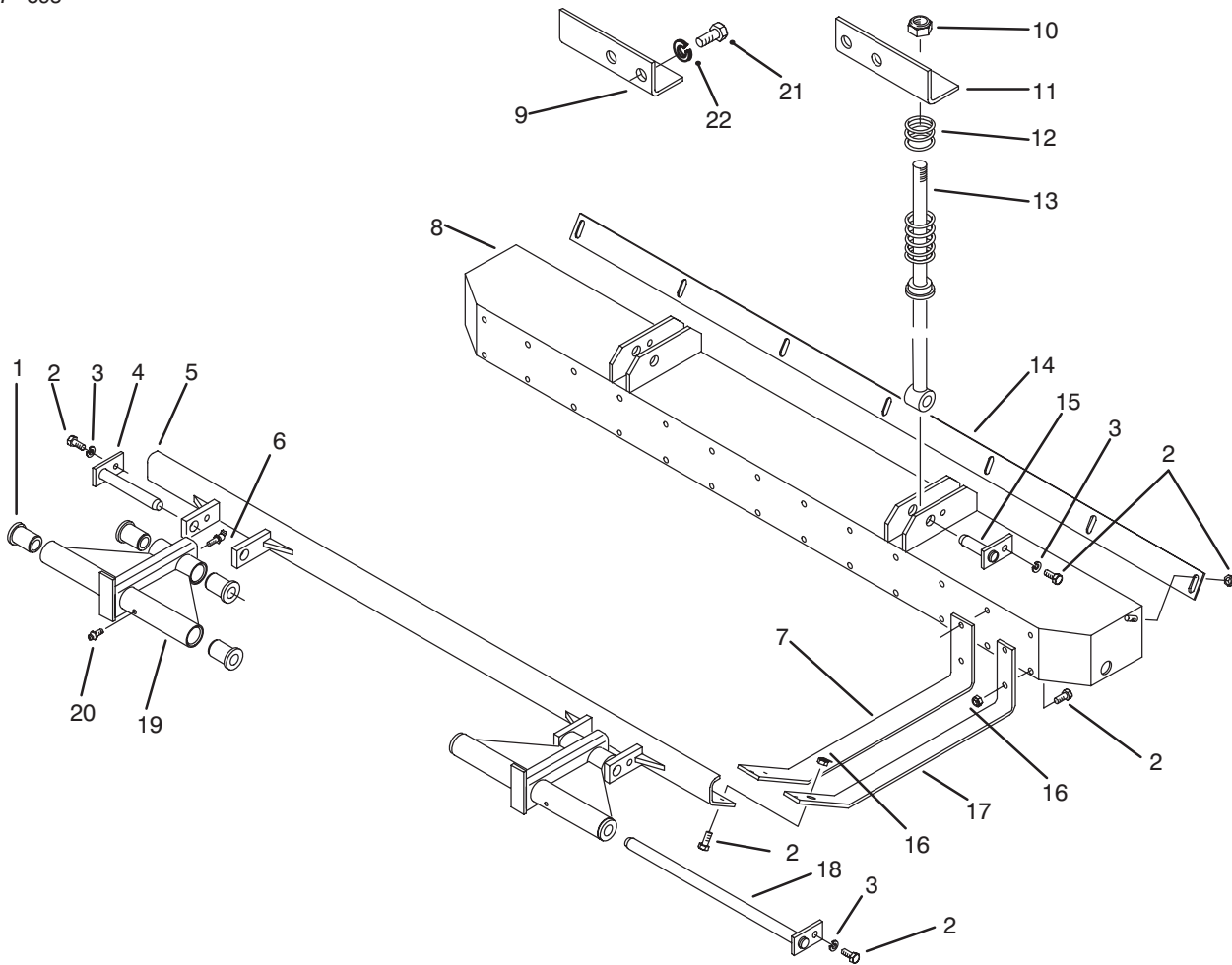


T-1864

STOMPER ARM ASSEMBLY

Ref. No.	Part No.	Description	No. Used
1	70-9580	Ring - Retaining, Seal	4
2	72-3840	Seal	8
3	72-3810	Bearing	8
4	82-3190	Ring - Retaining	8
5	302-5	Fitting - Grease	4
6	58-6520	Decal - Grease	4
7	70-9570	Washer - Retaining, Seal	4
8	70-9460	Nut - Castle	4
9	32121-34	Pin - Roll	4

Ref. No.	Part No.	Description	No. Used
10	92-9430	Stomper W.A.	4
11	3296-70	Nut - Lock	8
12	72-8060	Spacer - Long	4
13	3256-62	Washer - Flat	4
14	32151-88	Ring - Retaining	16
15	72-8070	Bearing	8
16	77-3040	Conrod	4
17	72-8090	Spacer - Short	4
18	70-9550	Screw - Cap Hex. Hd.	4

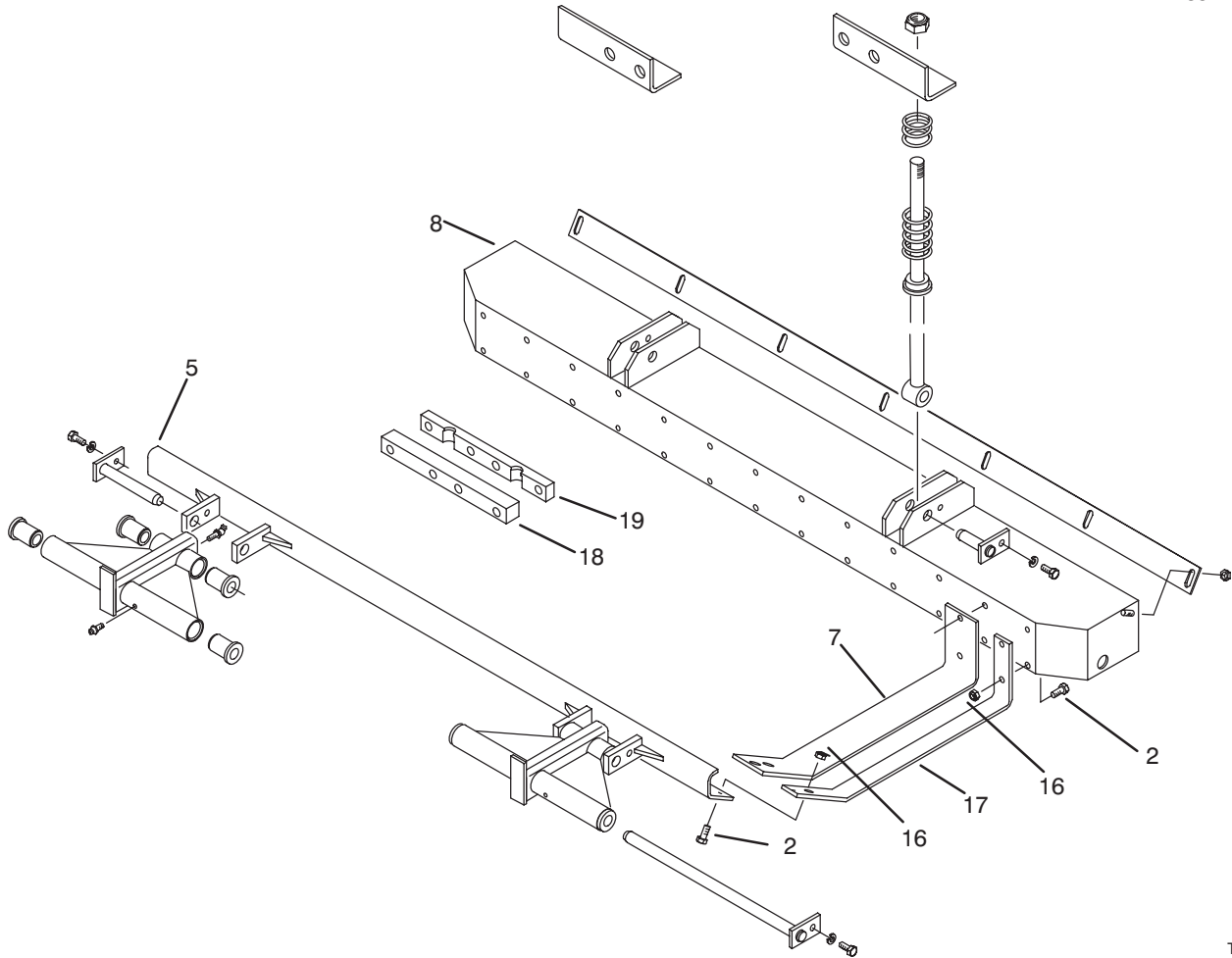


T-1865A

6 TINE FINGER PLATE & SCRAPER ASSEMBLY

Ref. No.	Part No.	Description	No. Used
1	92-9485	Bushing	8
2	322-3	Screw - Cap Hex. Hd.	45
3	3253-4	Washer - Lock	6
4	92-9492	Pin W.A.. - Short	2
5	92-9486	Panel W.A. - Front	1
6	302-61	Fitting - Grease 45°	2
7	92-9493	Leaf - Inner	11
8	92-9496	Panel W.A. - Rear	1
9	92-9930	Bracket - Spring, R.H.	1
10	3296-50	Nut - Lock	2
11	92-9929	Bracket - Spring, L.H.	1

Ref. No.	Part No.	Description	No. Used
12	92-9863	Spring	2
13	92-9859	Shaft -Spring	2
14	92-9852	Scraper - Roller	1
15	92-9856	Pin W.A.	2
16	3296-29	Nut - Lock	39
17	92-9494	Leaf - Outer	2
18	92-9490	Pin W.A. - Long	2
19	92-9480	Attachment W.A.	2
20	302-5	Fitting - Grease	2
21	325-2	Screw - Cap Hex. Hd.	4
22	3253-7	Washer - Lock	4

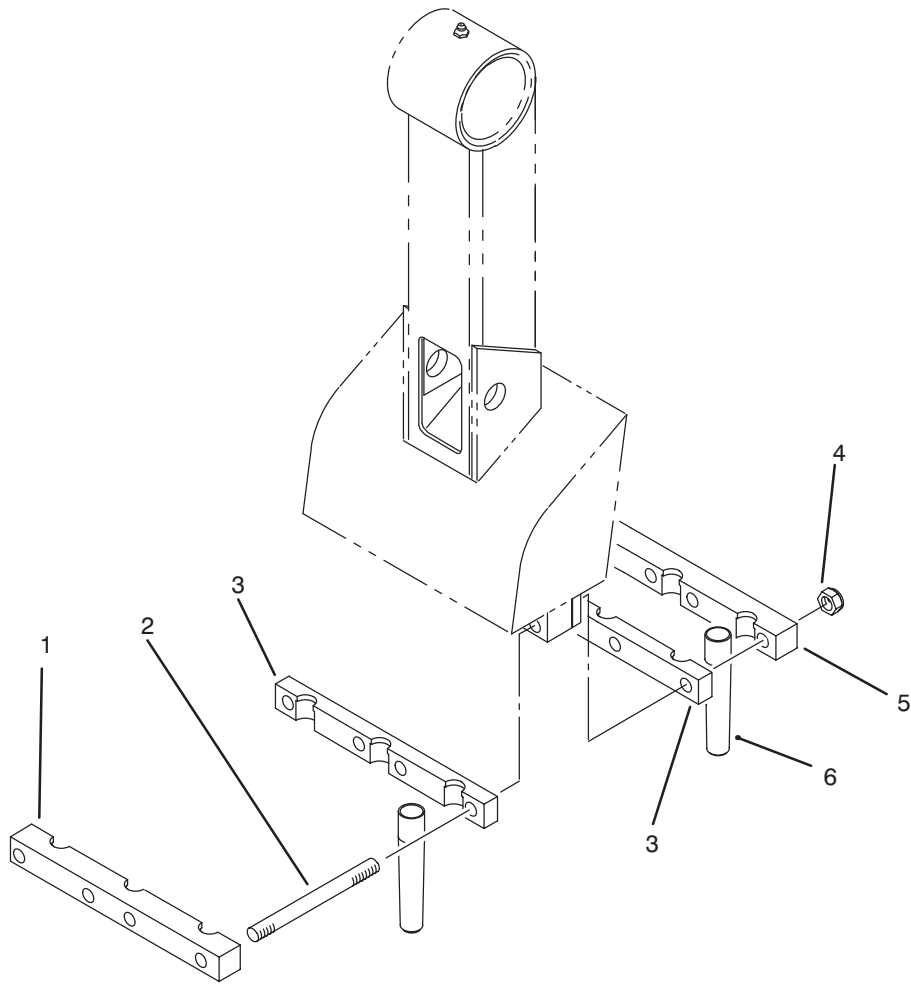


T-1874A

MODEL NO. 09610 OPTIONAL 2 TINE ADAPTION KIT

Ref. No.	Part No.	Description	No. Used
2	322-5	Screw - Cap Hex. Hd.	36
5	92-9866	Panel W.A. - Front	1
7	92-9495	Leaf - Inner	7
8	92-9868	Panel W.A. - Rear	1

Ref. No.	Part No.	Description	No. Used
16	3296-29	Nut - Lock	36
17	92-9494	Leaf - Outer	2
18	70-9270	Block - Inner	4
19	70-9260	Block - Outer	4

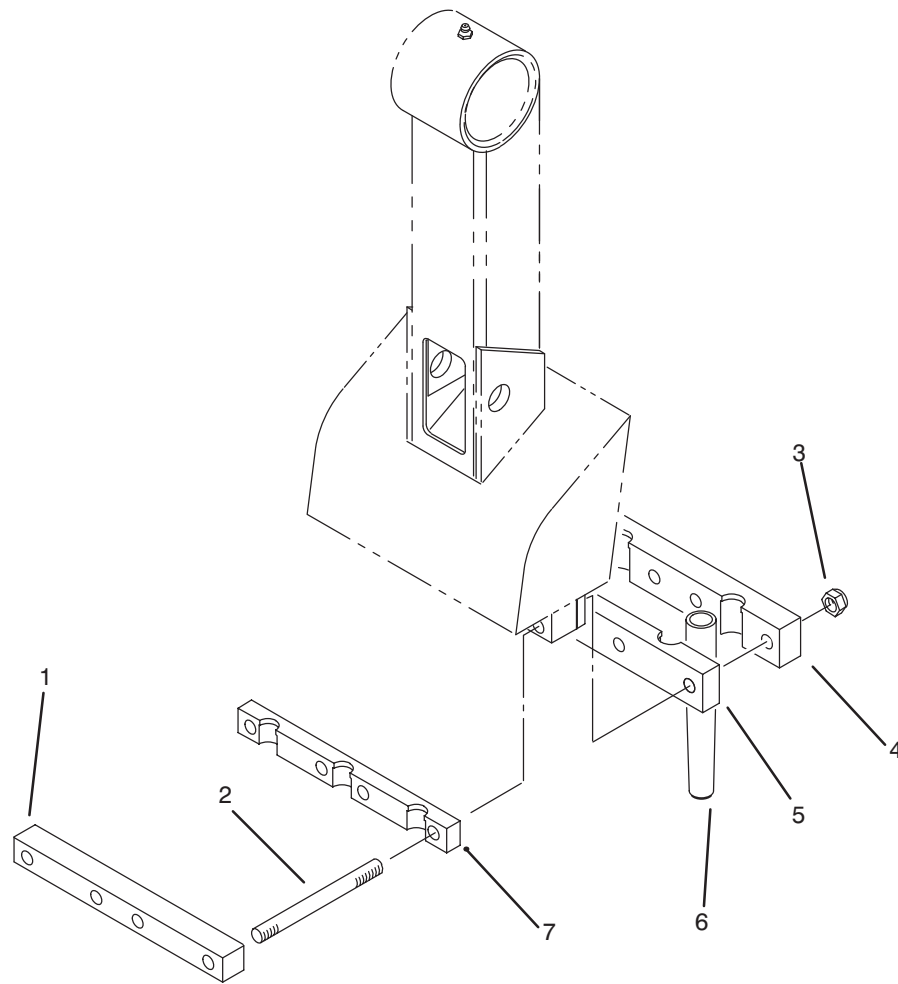


T-1866

6 TINE ASSEMBLY

Ref. No.	Part No.	Description	No. Used
1	70-9390	Block - Bridging, 6 Tine	4
2	71-7120	Stud - 1/2" x 5-7/8" (150mm)	16
3	70-9400	Block - Inner, 6 Tine	8
4	3296-23	Nut - Lock	16
5	70-9380	Block - Outer, 6 Tine	4

Ref. No.	Part No.	Description	No. Used
6	62-4600	Tine - Tubular 3/4 x 4-3/4" Long	24
*	86-9720	Tine - Tubular 3/4 x 5-3/4" Long	24
*	92-7941	Tine - Open Center 3/4 x 4-3/4" Long	24
*	92-7900	Tine - Open Center 3/4 x 5-3/4" Long	24



T-1873A

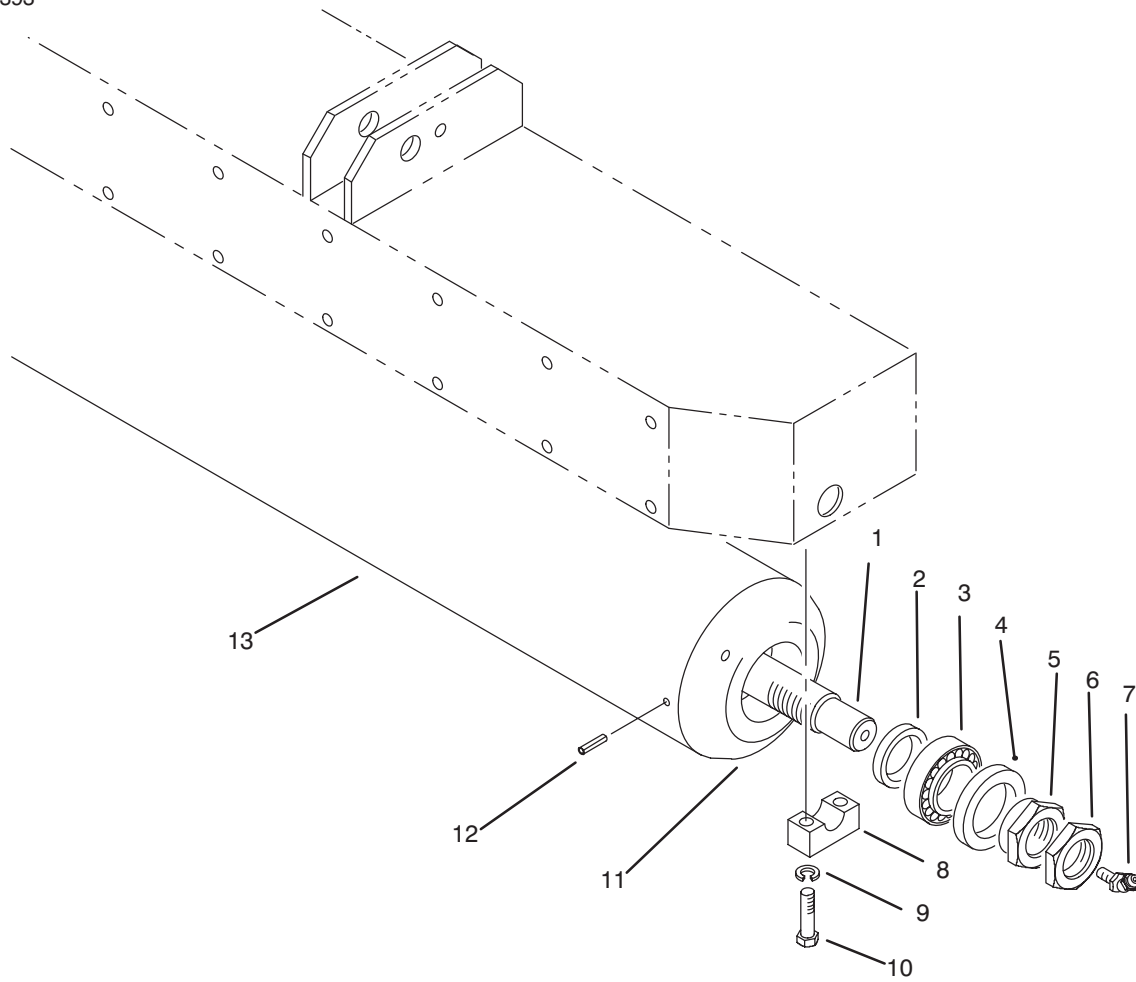
OPTIONAL 2 TINE ASSEMBLY

Ref. No.	Part No.	Description	No. Used
†1	70-9390	Block - Bridging	4
†2	71-7120	Stud - 1/2" x 5-7/8" (150mm)	16
†3	3296-23	Nut - Lock	16

Ref. No.	Part No.	Description	No. Used
‡4	70-9260	Block - Outer	4
‡5	70-9270	Block - Inner	4
6	71-0940	Tine - Tubular, 7/8 x 7" Lg.	8
†7	70-9400	Block	4

† Parts supplied with unit.

‡ Parts supplied with Adaption Kit.

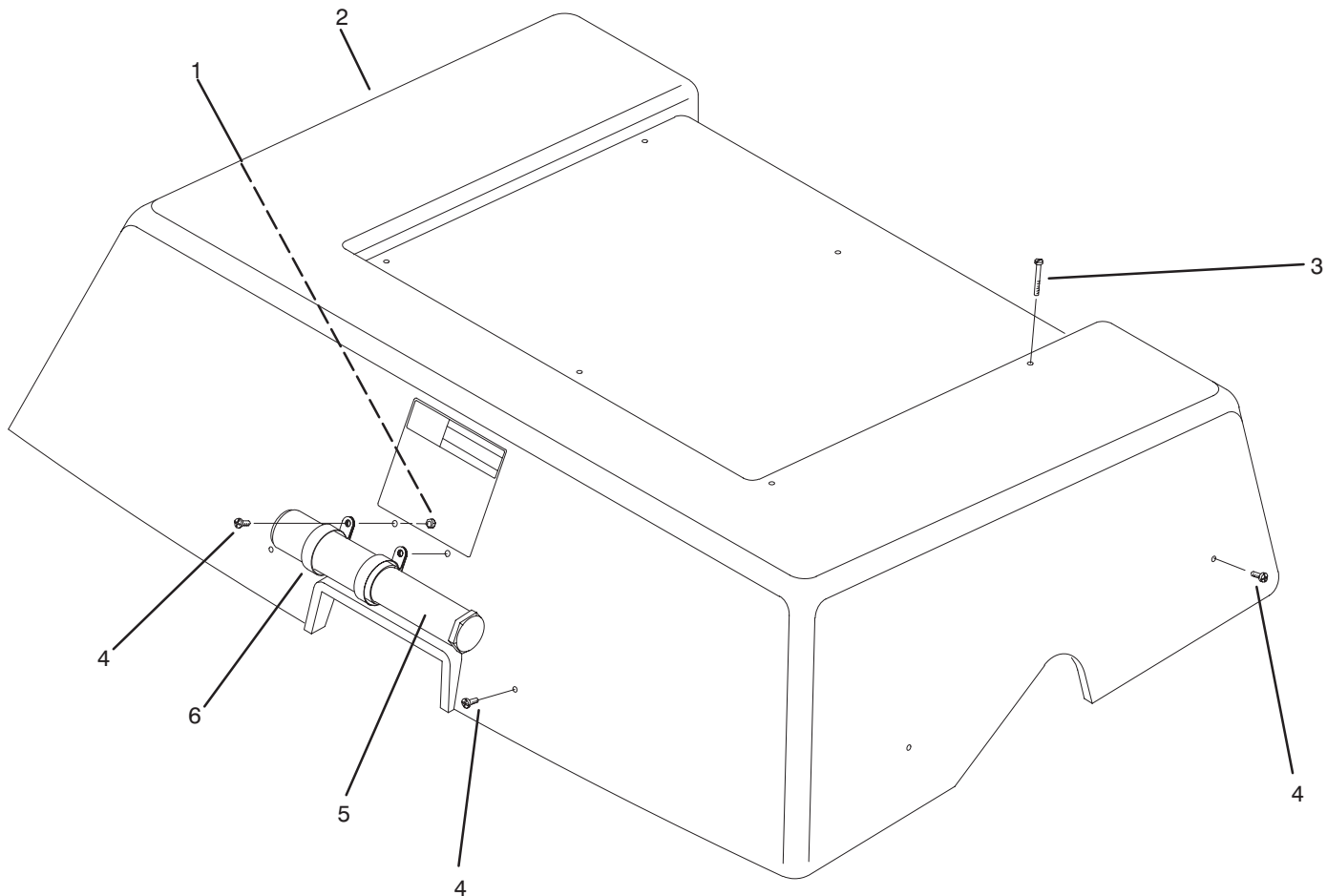


T-1867

ROLLER ASSEMBLY

Ref. No.	Part No.	Description	No. Used
1	92-9854	Shaft - Roller	1
2	72-3830	Seal	2
3	71-6780	Bearing - Roller	2
4	71-6790	Seal	2
5	71-7290	Nut - Roller	2
6	92-9855	Nut - Lock, Roller	2
7	302-61	Fitting - Grease	2

Ref. No.	Part No.	Description	No. Used
8	92-9851	Block - Mount	2
9	3253-6	Washer - Lock	4
10	3212-6	Screw - Cap Hex. Hd.	4
11	92-2429	Cap - End	2
12	32121-3	Pin - Roll	2
13	92-9853	Tube - Roller	1

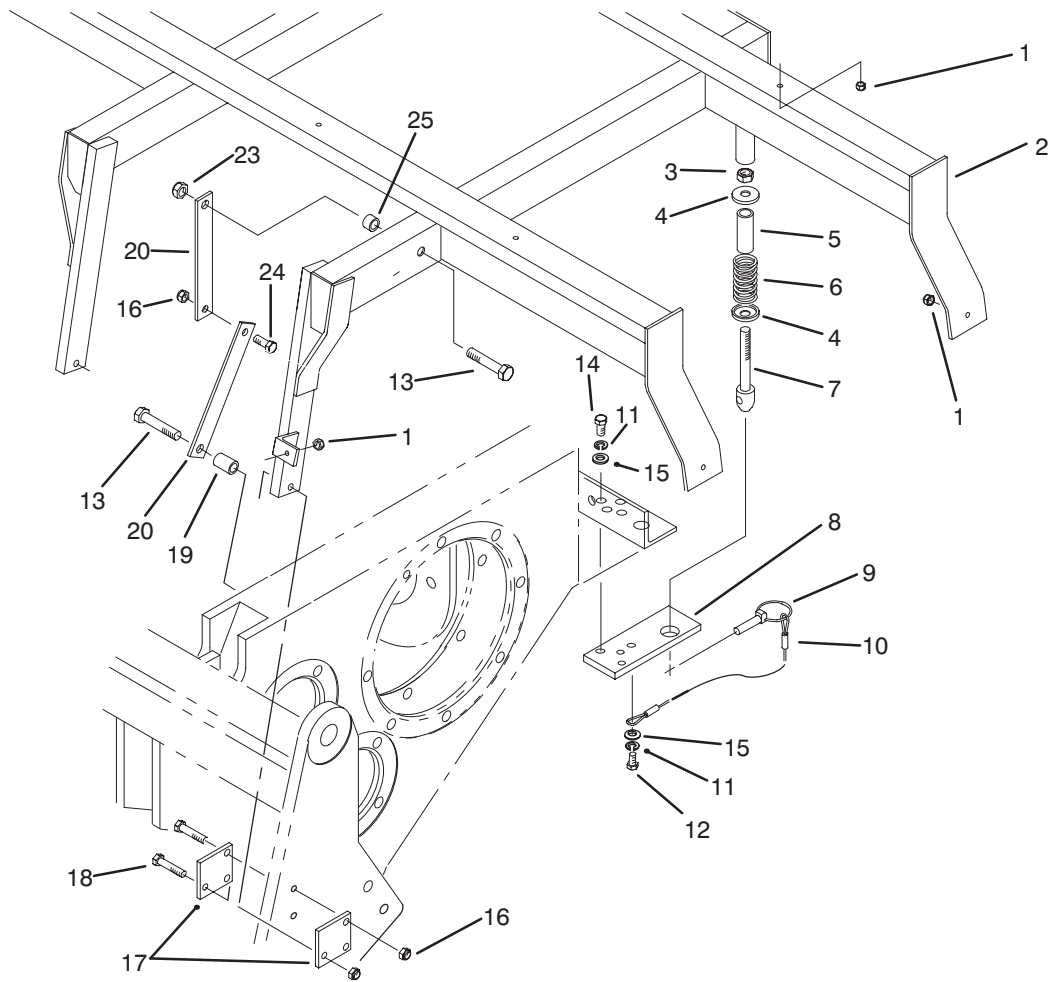


T-1870

HOOD ASSEMBLY

Ref. No.	Part No.	Description	No. Used
1	3296-42	Nut - Lock	2
2	92-9931	Hood	1
3	3250-21	Screw	6

Ref. No.	Part No.	Description	No. Used
4	3250-32	Screw	8
5	74-0720	Tube - Manual	1
6	2412-133	R-Clamp	2

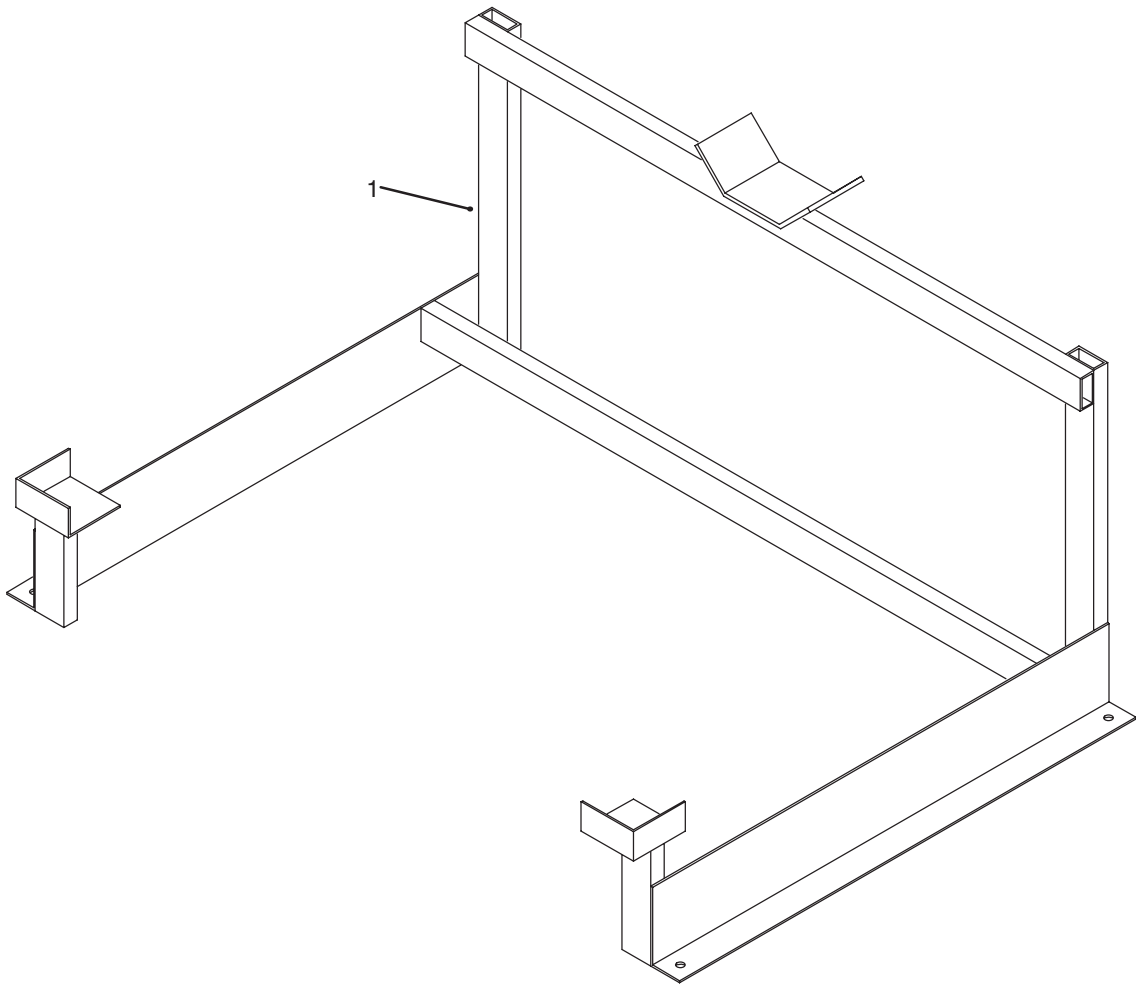


T-1975

HOOD FRAME ASSEMBLY

Ref. No.	Part No.	Description	No. Used
1	3296-42	Nut - Lock	10
2	92-9932	Frame W.A.	1
3	3217-9	Nut	2
4	92-9942	Washer	4
5	92-9888	Spacer - Tube	2
6	92-9895	Spring	2
7	92-9889	Pin - Latch	2
8	92-9940	Plate	2
9	283-71	Pin - Lynch (Incl. Ref. 10)	2
10	92-9941	Retainer - Pin & Cable	2
11	3253-21	Washer - Lock	2

Ref. No.	Part No.	Description	No. Used
12	323-4	Screw - Cap Hex. Hd.	2
13	325-9	Screw - Cap Hex. Hd.	2
14	323-5	Screw - Cap Hex. Hd.	6
15	3256-3	Washer - Flat	8
16	3296-22	Nut - Lock	6
17	92-9947	Plate - Hinge	4
18	323-10	Screw - Cap Hex. Hd.	6
19		Spacer - Long	1
20	92-9892	Link - Bottom	2
23	3296-23	Nut - Lock	1
24	323-6	Screw - Cap Hex. Hd.	1
25		Spacer - Short	1



T-1868

STAND ASSEMBLY

Ref. No.	Part No.	Description	No. Used
1	92-9870	Stand W.A.	1

Ref. No.	Part No.	Description	No. Used

TORO PART NUMBER INDEX

Part No.	Description	Pg. No.	Ref. No.	Qty.	Part No.	Description	Pg. No.	Ref. No.	Qty.
58-6520	Decal - Grease	13	6	4	71-7400	Gear - 40 Tooth	6	9	1
58-6520	Decal - Grease	9	14	4	71-7400	Gear - 40 Tooth	5	12	1
59-9930	Decal - Danger	1	1	2	71-7510	Pad - Absorber, Shock	9	3	2
62-4600	Tine - Tubular	16	6	24	71-7530	Grommet	9	13	2
65-5370	Decal	9	11	2	72-3810	Bearing	13	3	8
70-9220	Bearing	2	6	6	72-3820	Bearing	2	10	2
70-9260	Block - Outer	17	4	4	72-3830	Seal	18	2	2
70-9260	Block - Outer	15	19	4	72-3840	Seal	13	2	8
70-9270	Block - Inner	17	5	4	72-8060	Spacer - Long	13	12	4
70-9270	Block - Inner	15	18	4	72-8070	Bearing	13	15	8
70-9330	Bearing	4	9	8	72-8090	Spacer - Short	13	17	4
70-9340	Seal	4	7	8	72-8100	Assembly - Crank, Bottom	4	12	4
70-9380	Block - Outer, 6 Tine	16	5	4	74-0720	Tube - Manual	19	5	1
70-9390	Block - Bridging	17	1	4	74-2960	Ring - Retaining	3	2	1
70-9390	Block - Bridging, 6 Tine	16	1	4	74-2990	Shim Kit	3	3	4
70-9400	Block	17	7	4	74-3200	Seal - Oil	3	1	3
70-9400	Block - Inner, 6 Tine	16	3	8	76-3650	Gear - Crank, Top	4	10	2
70-9460	Nut - Castle	10	2	2	76-3660	Gear - Crank, Bottom	4	11	2
70-9460	Nut - Castle	13	8	4	76-3710	Coupling - Flange, Splined	2	2	2
70-9550	Screw - Cap Hex. Hd.	13	18	4	77-3040	Conrod	13	16	4
70-9570	Washer - Retaining, Seal	13	7	4	77-3050	Gear Box	2	1	1
70-9580	Ring - Retaining, Seal	13	1	4	77-4430	Spacer	3	5	1
70-9720	Nut	6	2	1	77-4440	Shaft - Input	3	14	1
70-9720	Nut	5	25	1	77-4450	Gear - 18 Tooth	3	13	2
71-0940	Tine - Tubular, 7/8 x 7 Lg.	17	6	8	77-4460	Ring - Retaining	3	12	1
71-6490	Seal	6	4	1	77-4470	Cover	3	11	1
71-6490	Seal	5	5	1	77-4480	Shaft	3	15	1
71-6560	Cylinder - Complete	12	*	1	77-4490	Plug - Oil Level/Filler	3	9	1
71-6560	Cylinder - Hydraulic	11	14	2	77-4500	Bolt - Hex. Socket Hd.	3	10	4
71-6630	Bearing	3	4	4	77-4660	Kit - Flange	7	26	1
71-6640	Kit - Seal	12	*	1	77-4670	Kit - Collar	7	25	1
71-6690	Bearing	6	13	1	77-4710	Yoke	7	4	1
71-6690	Bearing	5	23	1	77-4720	Cross & Bearing Kit	7	5	2
71-6700	Bearing	5	10	1	77-4730	Cone - Shield	7	6	1
71-6700	Bearing	6	12	1	77-4740	Ring - Bearing	7	7	2
71-6750	Spacer	10	17	4	77-4760	Chain - Safety	7	13	1
71-6780	Bearing	10	4	2	77-4770	Clutch - Radial Pin	7	14	1
71-6780	Bearing - Roller	18	3	2	77-4790	Bearing - Support	7	10	1
71-6790	Seal	18	4	2	82-3190	Ring - Retaining	13	4	8
71-7060	Coupler - Quick	11	21	1	82-3220	Decal - Bar, Timing	1	3	1
71-7100	Pin - Roll	4	2	8	84-6370	Fitting - Grease	7	22	1
71-7120	Stud - 1/2 x 5-7/8	17	2	16	86-9720	Tine - Tubular	16	*	24
71-7120	Stud - 1/2 x 5-7/8	16	2		92-2429	Cap - End	18	11	2
71-7290	Nut - Roller	18	5	2	92-3000	Flange - Bearing, Crank	4	6	8
71-7300	Gear - 30 Tooth	5	*	1	92-3005	Stud	4	5	64
71-7300	Gear - 30 Tooth	6	*	1	92-3005	Stud	5	9	4
71-7310	Gear - 31 Tooth	5	*	1	92-3005	Stud	2	13	32
71-7310	Gear - 31 Tooth	6	*	1	92-3006	Nut	4	4	64
71-7320	Gear - 32 Tooth	6	*	1	92-3006	Nut	5	4	4
71-7320	Gear - 32 Tooth	5	12	1	92-3006	Nut	2	14	32
71-7330	Gear - 33 Tooth	5	*	1	92-3010	Housing - Bearing	6	7	1
71-7330	Gear - 33 Tooth	6	*	1	92-3010	Housing - Bearing	5	8	1
71-7340	Gear - 34 Tooth	5	*	1	92-3012	O-Ring, Seal	4	8	8
71-7340	Gear - 34 Tooth	6	*	1	92-3012	O-Ring, Seal	5	21	1
71-7350	Gear - 35 Tooth	5	*	1	92-3013	O-Ring, Seal	2	8	8
71-7350	Gear - 35 Tooth	6	*	1	92-3013	O-Ring, Seal	6	8	1
71-7360	Gear - 36 Tooth	5	*	1	92-3013	O-Ring, Seal	5	22	1
71-7360	Gear - 36 Tooth	6	*	1	92-3173	Decal	9	21	2
71-7370	Gear - 37 Tooth	5	*	1	92-7900	Tine - Open Center	16	*	24
71-7370	Gear - 37 Tooth	6	*	1	92-7934	Tube - Shield, Outer	7	8	1
71-7380	Gear - 38 Tooth	5	*	1	92-7935	Tube - Inner, Shield	7	12	1
71-7380	Gear - 38 Tooth	6	*	1	92-7936	Decal - Out	7	9	1
71-7390	Gear - 39 Tooth	5	*	1	92-7937	Decal - In	7	11	1
71-7390	Gear - 39 Tooth	6	*	1	92-7938	Fitting - Grease 45°	7	20	2

*Not Illustrated

TORO PART NUMBER INDEX (Cont.)

3317-393

Part No.	Description	Pg. No.	Ref. No.	Qty.	Part No.	Description	Pg. No.	Ref. No.	Qty.
92-7939	Assembly - Shaft, Drive	6	1	1	92-9863	Spring	14	12	2
92-7939	Drive Line (Complete)	7	*	1	92-9864	Pin 'A' - Link, Lower	1	7	2
92-7941	Tine - Open Center	16	*	24	92-9865	Pin 'B' - Link, Lower	1	6	2
92-9359	Gear - Drive, Input	2	9	2	92-9866	Panel W.A. - Front	15	5	1
92-9360	Shaft - Drive, Splined	2	3	2	92-9868	Panel W.A. - Rear	15	8	1
92-9361	Spacer	2	7	2	92-9870	Stand W.A.	21	1	1
92-9362	Housing - Bearing	2	4	2	92-9871	Screw - Hex. Socket Hd.	5	27	4
92-9363	Housing - Bearing	2	12	2	92-9872	Fitting - Grease	8	13	2
92-9364	Flange - Gear, Idler	2	15	4	92-9873	Ring - Retaining	2	11	2
92-9365	Gear - Idler	2	16	2	92-9874	Bushing	8	7	4
92-9366	Frame	1	2	1	92-9875	Seal	2	5	2
92-9384	Shaft - Torsion	8	10	2	92-9876	Bar - Timing	1	4	1
92-9387	Washer	8	2	2	92-9877	Screw - Special	11	12	2
92-9388	Housing - Outer, Shaft	8	8	2	92-9878	Cap	10	1	2
92-9389	Housing - Shaft, Inner	8	28	2	92-9879	Seal	10	10	2
92-9390	Gear - Quadrant	8	11	2	92-9880	Wheel	10	20	2
92-9391	Adjuster - Height, L.H.	11	20	1	92-9881	Tube - Inner	10	21	2
92-9392	Adjuster - Height, R.H.	11	*	1	92-9882	Tire	10	23	2
92-9395	Foot W.A. - Height Adj. L.H.	11	19	1	92-9883	Fitting - Tee	11	7	1
92-9396	Foot W.A. - Height Adj. R.H.	11	*	1	92-9884	Hose - Hydraulic	11	3	1
92-9401	Arm W.A. - Torsion	8	27	2	92-9885	Hose - Hydraulic, Left	11	9	1
92-9405	Trunnion - Adjuster	8	26	2	92-9886	Hose - Hydraulic, Right	11	6	1
92-9406	Bracket - Tie	8	19	2	92-9887	Guard - Ring	7	27	1
92-9407	Plate - Tie	8	16	2	92-9888	Spacer - Tube	20	5	2
92-9408	Stud	8	17	4	92-9889	Pin - Latch	20	7	2
92-9409	Pin - Tie	8	20	2	92-9892	Link - Bottom	20	20	2
92-9413	Nut - Adjuster	8	25	4	92-9895	Spring	20	6	2
92-9414	Nut - Lock	8	24	6	92-9926	Assembly - Ball End	8	30	2
92-9415	Housing W.A. - Gearbox	5	11	1	92-9928	Rod - Adjuster	8	23	2
92-9420	Cover - Hatch	5	20	1	92-9929	Bracket - Spring, L.H.	14	11	1
92-9421	Bar - Latch	5	18	1	92-9930	Bracket - Spring, R.H.	14	9	1
92-9424	Tube - Support	5	1	1	92-9931	Hood	19	2	1
92-9428	Coupling - Splined	5	26	1	92-9932	Frame W.A.	20	2	1
92-9430	Stomper W.A.	13	10	4	92-9940	Plate	20	8	2
92-9441	Shaft W.A. - Trailing Arm	9	18	2	92-9941	Retainer - Pin & Cable	20	10	2
92-9444	Washer	9	5	4	92-9942	Washer	20	4	4
92-9445	Assy. - Trailing Arm, L.H.	9	17	1	92-9943	Shaft	6	10	1
92-9446	Assy. - Trailing Arm, R.H.	9	*	1	92-9943	Shaft - Output	5	13	1
92-9453	Shaft - Mount, Cylinder	11	8	2	92-9944	Spacer - Coupling	5	3	2
92-9456	Pin W.A. - Short	11	15	2	92-9945	Spacer - Tube	10	25	2
92-9459	Shaft W.A. - Pivot	9	7	2	92-9947	Plate - Hinge	20	17	4
92-9461	Arm - Stabilizer	9	8	2	92-9948	Assembly - Crank, Top	4	1	4
92-9464	Mount W.A. - Caster Brg.	10	6	2	93-8751	Depth Restrictor	11	22	2
92-9470	Fork W.A. - Caster	10	15	2	93-8753	Washer - Spacer, .88	1	9	4
92-9475	Shaft - Axle	10	24	2	93-8754	Washer - Spacer, 1.00	1	*	4
92-9478	Stop - Traveling	9	12	2	93-8755	Washer - Spacer, 1.12	1	*	4
92-9479	Scraper - Tire	10	11	2	93-8756	Washer - Spacer, 1.25	1	*	4
92-9480	Attachment W.A.	14	19	2	93-8762	Nut	5	24	1
92-9485	Bushing	14	1	8	93-8762	Nut	6	3	1
92-9486	Panel W.A. - Front	14	5	1	237-38	O-Ring	9	22	8
92-9490	Pin W.A. - Long	14	18	2	237-38	O-Ring, Seal	8	6	4
92-9492	Pin W.A.. - Short	14	4	2	2412-133	R-Clamp	19	6	2
92-9493	Leaf - Inner	14	7	11	251-314	Bearing	8	29	2
92-9494	Leaf - Outer	14	17	2	251-350	Bearing	10	19	4
92-9494	Leaf - Outer	15	17	2	253-163	Seal	10	18	4
92-9495	Leaf - Inner	15	7	7	254-106	Cone	10	8	2
92-9496	Panel W.A. - Rear	14	8	1	254-107	Cup	10	9	2
92-9851	Block - Mount	18	8	2	281-1	Plug - Pipe	3	7	1
92-9852	Scraper - Roller	14	14	1	283-71	Pin - Lynch	1	8	4
92-9853	Tube - Roller	18	13	1	283-71	Pin - Lynch	20	9	2
92-9854	Shaft - Roller	18	1	1	283-72	Pin - Lynch	6	11	1
92-9855	Nut - Lock, Roller	18	6	2	283-72	Pin - Lynch	5	14	1
92-9856	Pin W.A.	14	15	2	283-72	Pin - Lynch	8	18	2
92-9859	Shaft - Spring	14	13	2	285-20	Plug - Pipe	11	4	2

*Not Illustrated

TORO PART NUMBER INDEX (Cont.)

Part No.	Description	Pg. Ref. No. No. Qty.	Part No.	Description	Pg. Ref. No. No. Qty.
285-21	Plug - Pipe	1 5 2	3253-7	Washer - Lock	14 22 4
285-21	Plug - Pipe	5 15 1	3253-9	Washer - Lock	8 15 4
302-5	Fitting - Grease	5 2 1	3253-21	Washer - Lock	8 5 16
302-5	Fitting - Grease	13 5 4	3253-21	Washer - Lock	6 6 6
302-5	Fitting - Grease	10 7 2	3253-21	Washer - Lock	5 7 6
302-5	Fitting - Grease	9 9 4	3253-21	Washer - Lock	20 11 2
302-5	Fitting - Grease	11 13 4	3256-3	Washer - Flat	20 15 8
302-5	Fitting - Grease	14 20 2	3256-5	Washer - Flat	11 10 6
302-5	Fitting - Grease	8 22 2	3256-5	Washer - Flat	5 17 1
302-61	Fitting - Grease	18 7 2	3256-24	Washer - Flat	10 12 4
302-61	Fitting - Grease 45°	14 6 2	3256-62	Washer - Flat	13 13 4
302-64	Fitting - Grease	9 15 4	3274-4	Screw - Hex. Socket Hd.	4 3 48
321-4	Screw - Cap Hex. Hd.	11 16 2	3274-5	Screw - Cap Hex. Socket	9 19 12
322-3	Screw - Cap Hex. Hd.	14 2 45	3274-89	Screw - Hex. Socket Hd.	8 12 12
322-3	Screw - Cap Hex. Hd.	10 14 4	3274-89	Screw - Hex. Socket Hd.	2 18 12
322-5	Screw - Cap Hex. Hd.	15 2 36	3296-22	Nut - Lock	20 16 6
323-4	Screw - Cap Hex. Hd.	20 12 2	3296-23	Nut - Lock	17 3 16
323-5	Screw - Cap Hex. Hd.	20 14 6	3296-23	Nut - Lock	16 4 16
323-6	Screw - Cap Hex. Hd.	20 24 1	3296-23	Nut - Lock	9 20 12
323-8	Screw - Cap Hex. Hd.	8 9 8	3296-23	Nut - Lock	20 23 1
323-9	Screw - Cap Hex. Hd.	8 4 8	3296-29	Nut - Lock	14 16 39
323-9	Screw - Cap Hex. Hd.	6 5 6	3296-29	Nut - Lock	15 16 36
323-9	Screw - Cap Hex. Hd.	5 6 6	3296-39	Nut - Lock	9 4 2
323-10	Screw - Cap Hex. Hd.	20 18 6	3296-42	Nut - Lock	191 2
323-20	Screw - Cap Hex. Hd.	9 16 2	3296-42	Nut - Lock	20 1 10
325-2	Screw - Cap Hex. Hd.	14 21 4	3296-50	Nut - Lock	14 10 2
325-5	Screw - Cap Hex. Hd.	11 18 4	3296-61	Nut - Lock	9 6 2
325-7	Screw - Cap Hex. Hd.	5 16 1	3296-70	Nut - Lock	8 1 2
325-8	Screw - Cap Hex. Hd.	11 23 4	3296-70	Nut - Lock	9 1 6
325-9	Screw - Cap Hex. Hd.	20 13 2	3296-70	Nut - Lock	11 5 2
327-5	Screw - Cap Hex. Hd.	9 10 2	3296-70	Nut - Lock	13 11 8
3212-6	Screw - Cap Hex. Hd.	18 10 4	3296-70	Nut - Lock	10 16 4
3217-9	Nut	20 3 2	32108-20	Screw - Flat Hd. Slotted	9 2 4
3217-12	Nut	8 14 4	32120-30	Ring - Retaining	8 21 4
3250-21	Screw	19 3 6	32120-31	Ring - Snap	3 6 3
3250-32	Screw	19 4 8	32121-3	Pin - Roll	18 12 2
3253-3	Washer - Lock	11 17 2	32121-34	Pin - Roll	10 3 2
3253-4	Washer - Lock	14 3 6	32121-34	Pin - Roll	13 9 4
3253-4	Washer - Lock	10 13 4	32121-49	Pin - Roll	5 19 1
3253-6	Washer - Lock	18 9 4	32151-88	Ring - Retaining	8 3 2
3253-7	Washer - Lock	11 11 2	32151-88	Ring - Retaining	13 14 16
3253-7	Washer - Lock	2 17 12			

PRODUCT CHANGES

In an effort to make improvements available to TORO owners as quickly as possible, minor changes are incorporated into Toro's products from time to time that do not become immediately shown in the Parts Catalog. If such a change has been made in your unit, which is not reflected in your manual, see your TORO Distributor or his Authorized TORO Service Dealer for information and part numbers.

IDENTIFICATION AND ORDERING

MODEL AND SERIAL NUMBERS

The HC 4000 Aerator has two identification numbers; a model number and a serial number. The two numbers are stamped on a plate located on the rear upper left hand corner of the main frame. In any correspondence concerning the HC 4000 Aerator, supply model and serial numbers to assure that correct information and replacement parts are obtained.

To order replacement parts from an Authorized TORO Service Dealer, supply the following information:

1. Model and serial number of the HC 4000 Aerator.
2. Part number, description, and the quantity of part(s) desired.

NOTE: Do not order by reference number if a parts catalog is being used; use the PART NUMBER.

TABLE OF CONTENTS

Description	Page	Description	Page
Frame & Link Pin Assembly	1	Cylinder Assembly 71-6560	12
Splined Shaft & Idler Gears Assembly	2	Stomper Arm Assembly	13
Gear Box 77-3050	3	6 Finger Plate & Scraper Assembly	14
Crankshaft Assembly	4	Model No. 09610 Optional 2 Tine Adaption Kit ...	15
Pickoff Gear Box Assembly	5	6 Tine Assembly	16
Lower Shaft Assembly	6	Optional 2 Tine Assembly	17
Front Drive Line Assembly 92-7939	7	Roller Assembly	18
Torsion Shaft & Arm Assembly	8	Hood Assembly	19
Trailing & Stabilizing Arm Assembly	9	Hood Frame Assembly	20
Castor Wheel & Fork Assembly	10	Stand Assembly	21
Hyd. Cylinder, Hose & Height Adjuster Assembly .	11	Parts Index	22-24

