



**Count on it.**

**Parts Catalog**

**Super Recycler® Lawn Mower**

Model No. 20095C—Serial No. 310000001 and Up

# Ordering Replacement Parts

To order replacement parts, please supply the part number, the quantity, and the description of each part desired.

## Understanding Reference Numbers

Each identified part in an illustration has a reference number. The reference number for a part also appears in the parts list, along with other information about the part.

This catalog uses two special reference number formats, one to indicate parts in a service assembly and another to indicate the quantity of a given part in an illustration.

## Service Assembly Reference Numbers

Parts in service assemblies have reference numbers in the form a:b. The a represents the reference number of the entire service assembly and the b represents a sequential number unique to each part within the service assembly.

For example, a wheel assembly might be identified by reference number 6, the tire by 6:1, the valve by 6:2, and the wheel by 6:3. When you order the assembly identified by reference number 6, you receive all parts identified by reference numbers 6:1, 6:2, and 6:3. However, you may also order any part individually. Reference numbers of this type appear in illustration and in parts lists.

## Reference Numbers Indicating Quantity

In an illustration, if a reference number indicates more than one part, the reference number has the form nX y. The n represents the quantity of the part, the X is the multiplication symbol, and the y represents the reference number.

For example, in an illustration, the reference number 2X 37 means that two of the parts identified by reference number 37 are indicated.

# List of Abbreviations

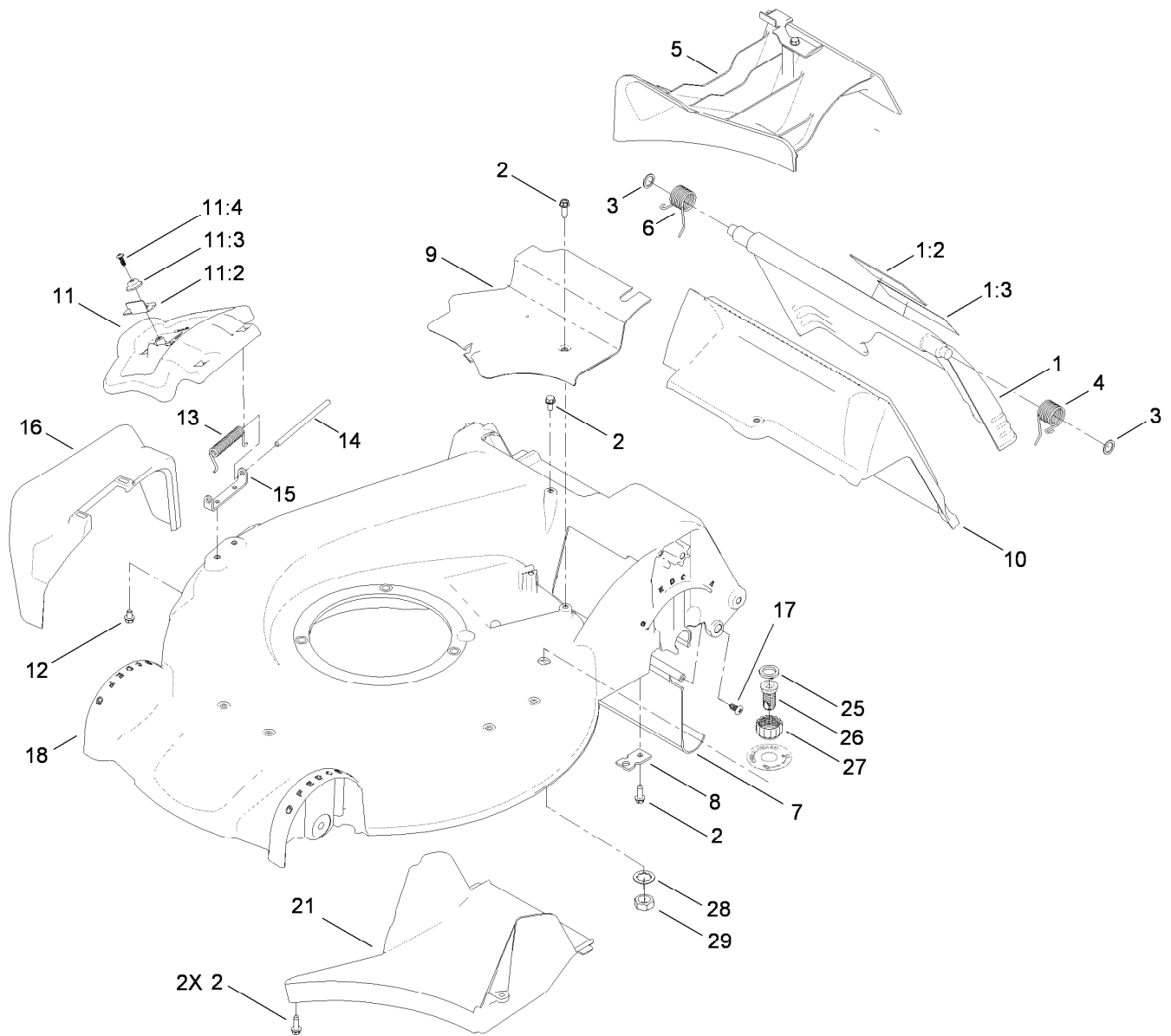
**AR:** as required  
**ASM:** assembly  
**BBC:** blade brake clutch  
**CARR:** carriage  
**CCW:** counter clock wise  
**CW:** clockwise  
**DEG:** degrees  
**ECM:** electronic control module  
**EXT:** external  
**FH:** flat head  
**GA:** gauge  
**HD:** heavy-duty  
**HF:** hex flange  
**HH:** hex head  
**HHF:** hex head flange  
**HHFTF:** hex head flange thread forming  
**HJ:** hex jam  
**HLH:** hex lag head  
**HOC:** height-of-cut

**HSBH:** hex socket button head  
**HSFH:** hex socket flat head  
**HSH:** hex socket head  
**HWH:** hex washer head  
**HWHTF:** hex washer head thread forming  
**HYD:** hydraulic  
**LH:** left hand  
**NI:** nylon insert  
**NPTF:** national pipe thread fine  
**PFH:** phillips flat head  
**PPH:** phillips pan head  
**PPHTF:** phillips pan head thread forming  
**PRH:** phillips round head  
**PTH:** phillips truss head  
**PTO:** power-take-off  
**RH:** right hand  
**ROPS:** roll-over protection system  
**RRB:** rear roller brush

**SFH:** slotted fillister head  
**SHH:** slotted hex head  
**SHWH:** slotted hex washer head  
**SPH:** slotted pan head  
**SQH:** square head  
**SRH:** slotted round head  
**STD:** standard  
**TAP:** self tapping  
**TTH:** torx truss head

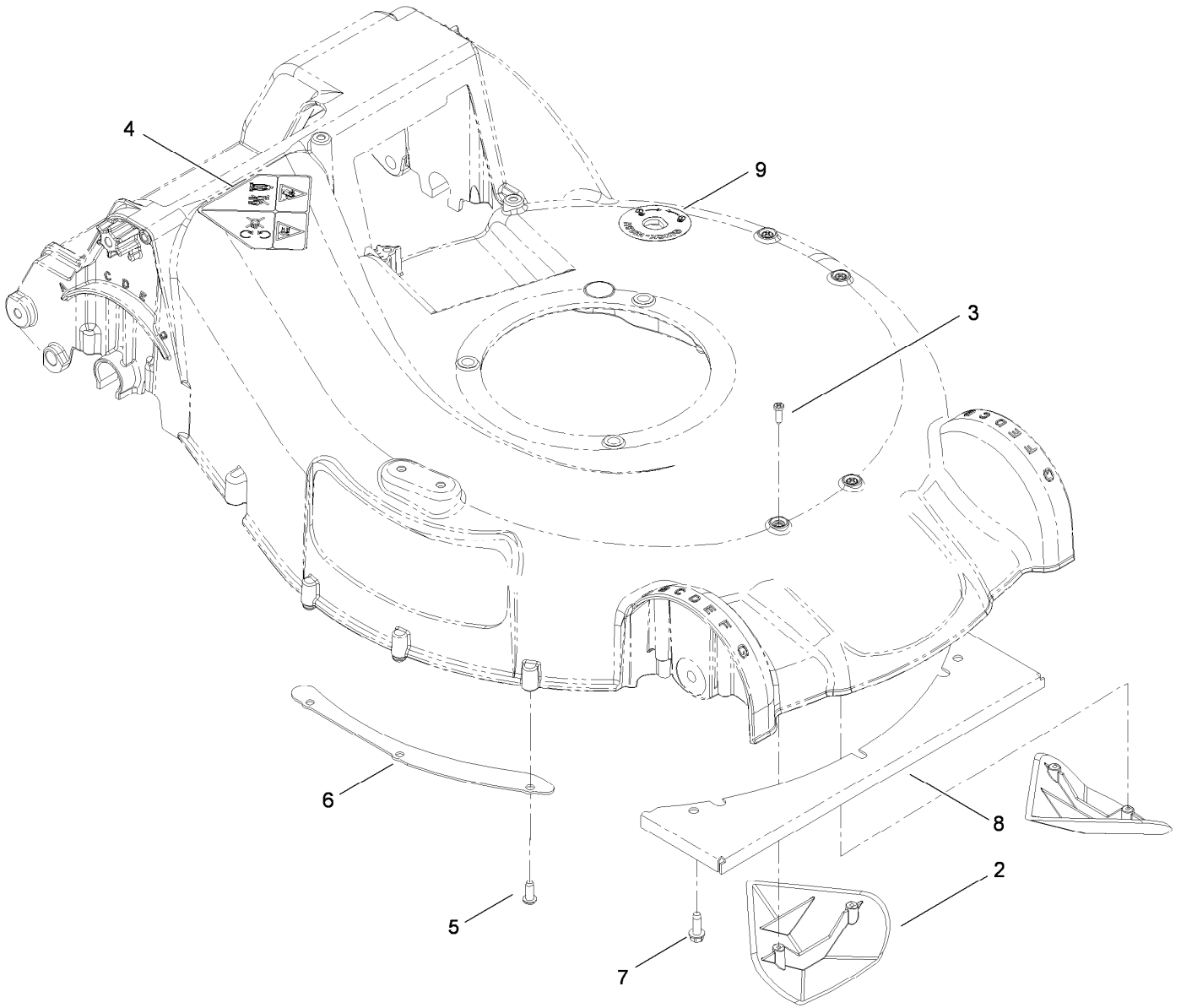
# Contents

Housing and Rear Door Assembly .....	4
Housing Assembly No. 115-2855 .....	5
Front Wheel and Height-of-Cut Assembly .....	6
Transmission Assembly .....	7
Engine and Blade Assembly .....	8
Handle Assembly .....	9
Battery and Harness Assembly .....	10
Rear Bag Assembly .....	11
Attachments and Accessories .....	12



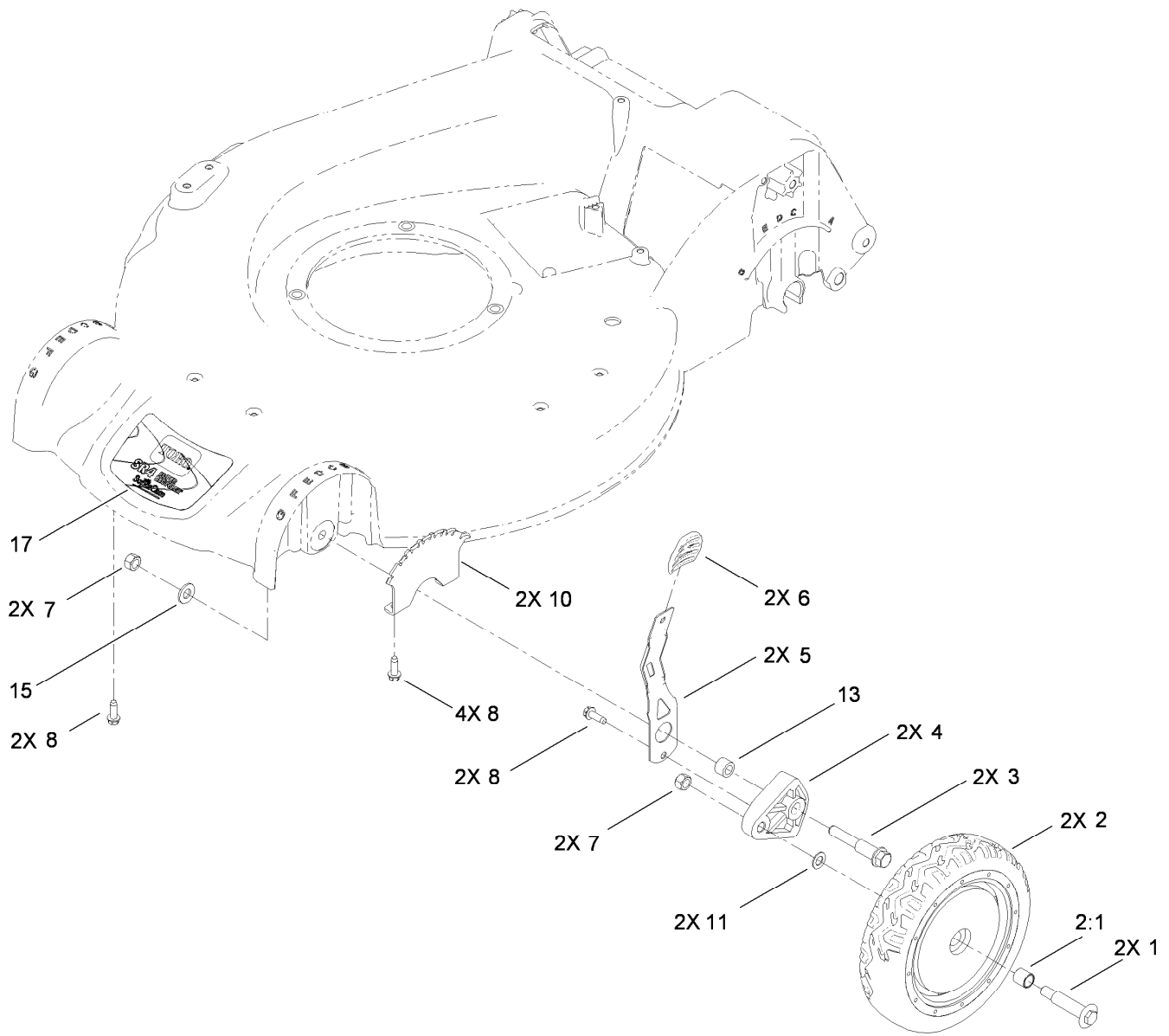
## Housing and Rear Door Assembly

<i>Ref.</i>	<i>Part Number</i>	<i>Qty.</i>	<i>Description</i>	<i>Ref.</i>	<i>Part Number</i>	<i>Qty.</i>	<i>Description</i>
1	115-2856	1	Rear Door ASM	11:4	107-7461	1	Screw-Plastite
1:2	114-7982	1	Decal-Warning	12	99-8445	2	Screw-HWH
1:3	104-7908	1	Decal-Warning	13	99-5293	1	Spring-Torsion
2	49-2040	5	Screw-HWHTF	14	99-5291	1	Rod-Cover
3	94-8196	2	Washer-Nylon	15	112-6416	1	Bracket-Cover
4	115-2859	1	Spring-Torsion	16	108-3753	1	Chute-Discharge, Side
5	115-8413	1	Mulch Plug ASM	17	117-1092	2	Screw-PTH
6	114-7924	1	Spring-Torsion	18	115-2855	1	Housing ASM
7	114-1586	1	Shield-Trailing	21	107-7495	1	Tunnel-Discharge
8	107-7497	1	Bracket-Cable, Traction	25	112-6438	1	Washer-Seal, Washout Port
9	107-7494	1	Cover-Belt	26	112-6400	1	Port-Washout
10	114-2668	1	Chute	27	112-6401	1	Coupling-Hose, Washout Port
11	107-3717	1	Discharge Door ASM	28	3254-5	1	Washer-Tooth
11:2	107-0795	1	Latch-Door	29	3218-6	1	Nut-Jam
11:3	107-7456	1	Cap-Door				



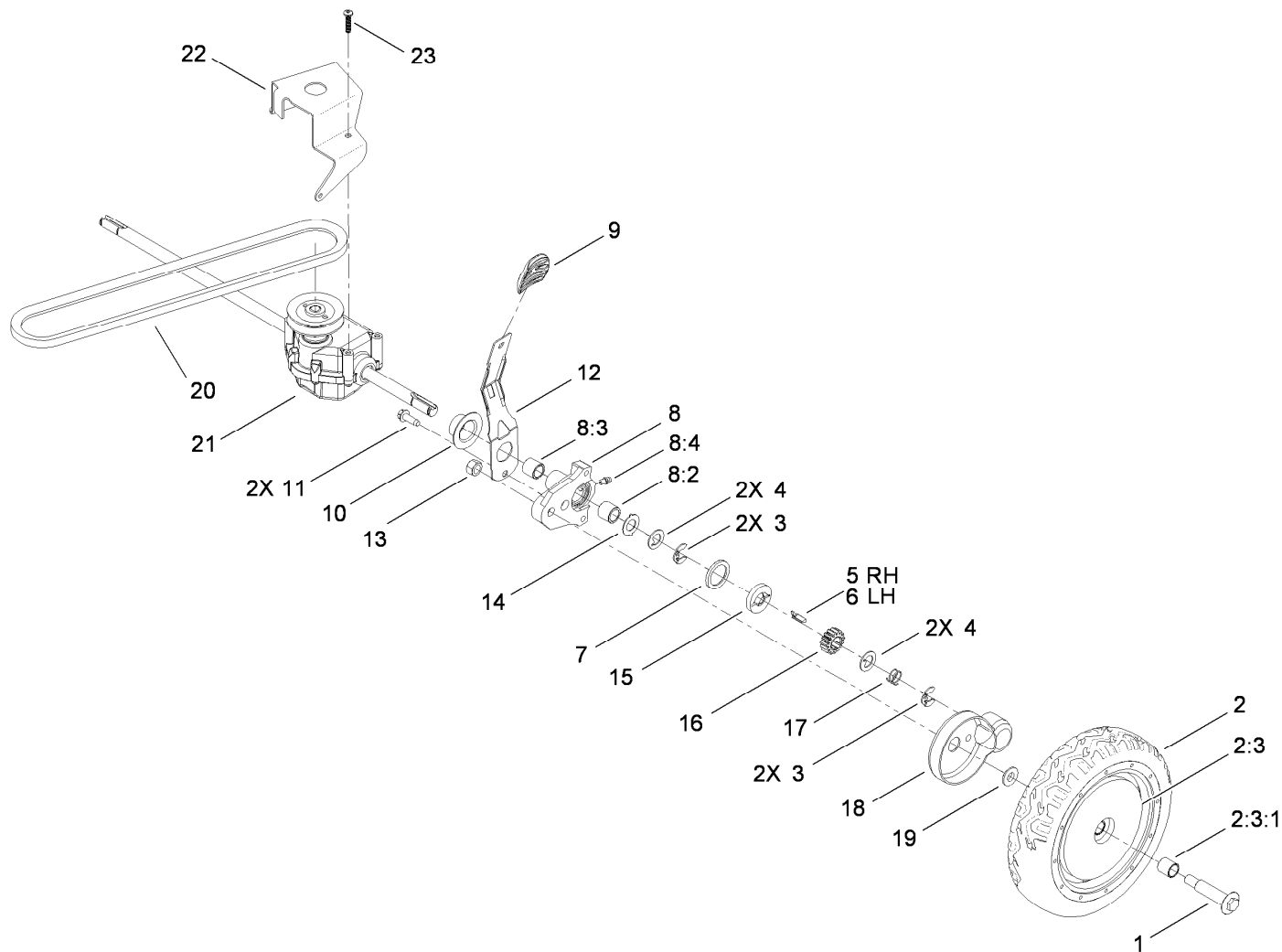
## Housing Assembly No. 115-2855

Ref.	Part Number	Qty.	Description
2	108-3798	2	Kicker-Housing
3	32144-111	4	Screw-PPH
4	112-8760	1	Decal-Danger
5	63-8590	3	Screw
6	105-1316-03	1	Sheet-Lip
7	49-2040	3	Screw-HWHTF
8	108-3797-03	1	Plate-Cover, Front
9	112-8867	1	Decal-Port, Washout



## Front Wheel and Height-of-Cut Assembly

Ref.	Part Number	Qty.	Description
1	92-1057	2	Bolt-Shoulder
2	107-3708	2	Wheel ASM
2:1	27-6250	2	Bushing
3	114-3467	2	Screw-Shoulder
4	107-7492	2	Arm-Pivot
5	107-7491	2	Arm-Spring
6	105-3042	2	Knob-Lever, HOC
7	603773	4	Nut
8	49-2040	10	Screw-HWHTF
10	107-7478	4	Plate-HOC
11	40-1940	2	Washer
13	52-2480	2	Spacer-Wheel
15	3256-24	2	Washer-Flat
17	108-8168	1	Decal-Supercare

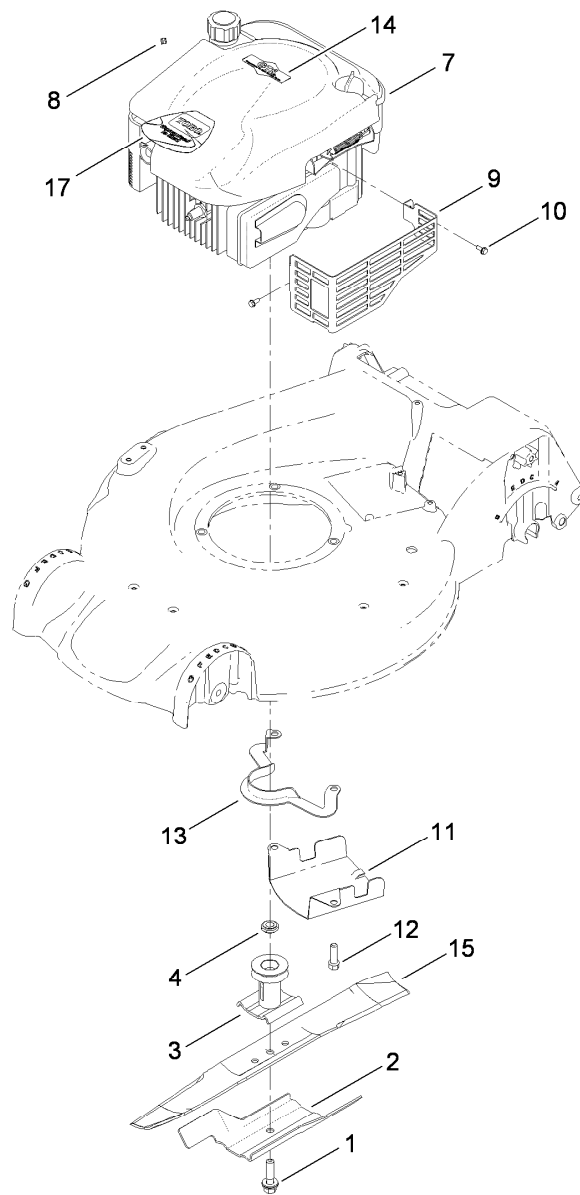


## Transmission Assembly

Ref.	Part Number	Qty.	Description	Ref.	Part Number	Qty.	Description
1	92-1057	2	Bolt-Shoulder	10	42-3520	2	Cap-End
2	107-3709	2	Wheel Gear ASM	11	49-2040	2	Screw-HWHTF
2:3		1	Wheel ASM ■	12	107-7491	2	Arm-Spring
2:3:1	27-6250	2	Bushing	13	603773	2	Nut
3	65-2720	4	Ring-Clip, Locking	14	65-4730	2	Washer-Arm, Pivot
4	65-4740	4	Washer-Thrust, Keyed	15	65-4760	2	Washer-Clutch
5	66-6040	1	Key-Rocking, RH ●	16	65-4750	2	Gear-Pinion
6	66-6050	1	Key-Rocking, LH	17	65-4720	2	Spring-Compression
7	65-4710	2	Ring-Friction	18	74-1660	2	Cover-Wheel
8	100-8774	2	Pivot Arm ASM	19	74-1671	2	Spacer-Cover, Wheel
8:2	47-2900	1	Bushing	20	92-1043	1	V-Belt
8:3	70-9760	1	Bushing	21	115-4560	1	Transmission ASM
8:4	302-56	1	Fitting-Grease	22	114-7977-03	1	Bracket-Transmission
9	105-3042	2	Knob-Lever, HOC	23	108-7476	3	Screw-Plastite

● Not illustrated

■ Not serviced separately

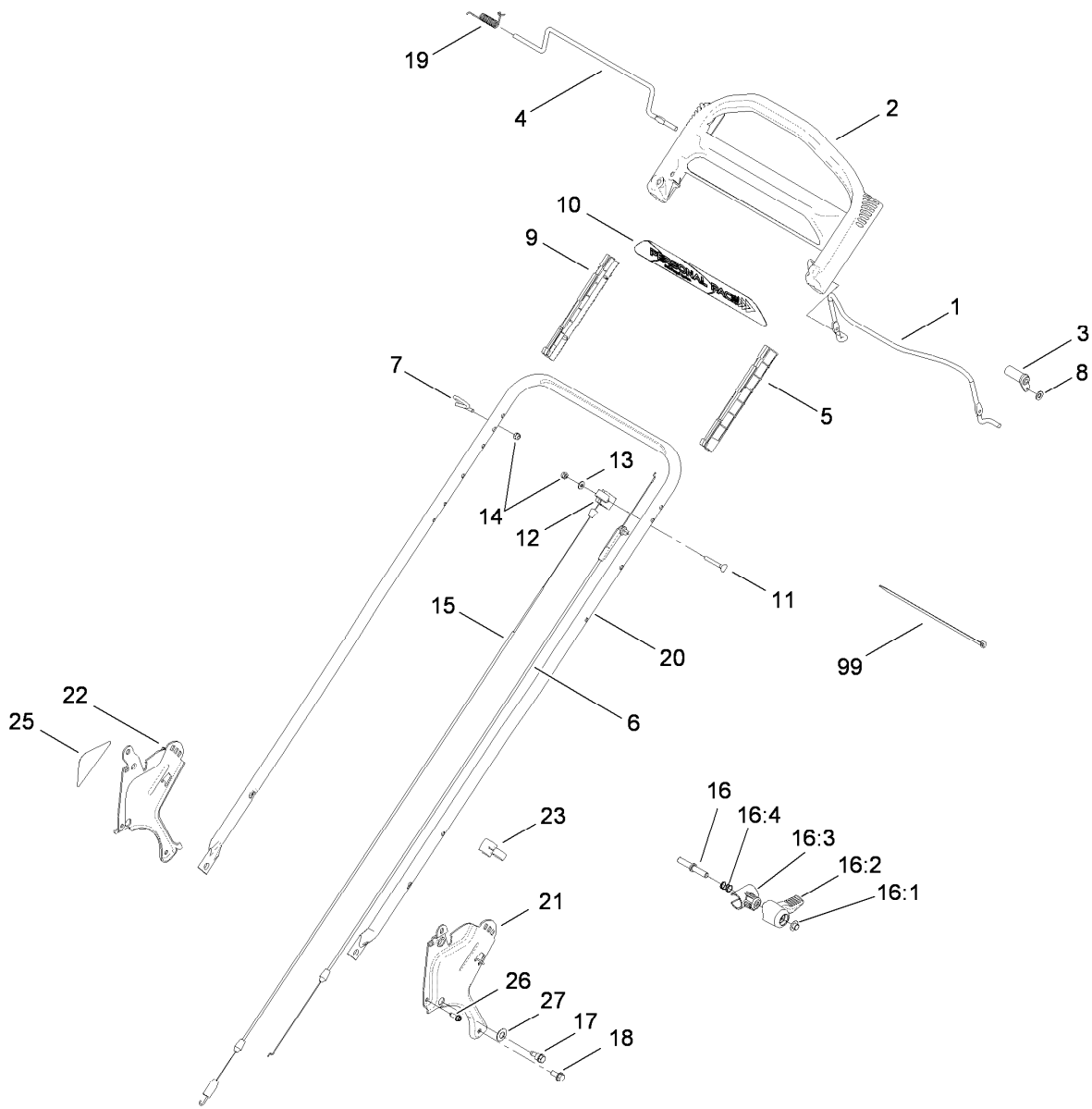


## Engine and Blade Assembly

Ref.	Part Number	Qty.	Description
1	105-8579	1	Bolt-Blade
2	105-6848-03	1	Accelerator-Blade
3	106-3987	1	Blade Driver ASM
4	106-3999	1	Spacer-Driver
7		1	Engine-Briggs, 128T07-3238-B1 ●■
8	2210-316	1	Stop-Rope
9	104-7577-03	1	Shield-Muffler
10	32144-1	3	Screw-Taptite
11	107-7489-03	1	Shield-Grass
12	95-1727	3	Screw-Taptite
13	108-8110-03	1	Guide-Belt
14	108-8130	1	Decal-Recoil
15	108-3762-03	1	Blade-Recycling
17	119-3782	1	Decal-Shroud

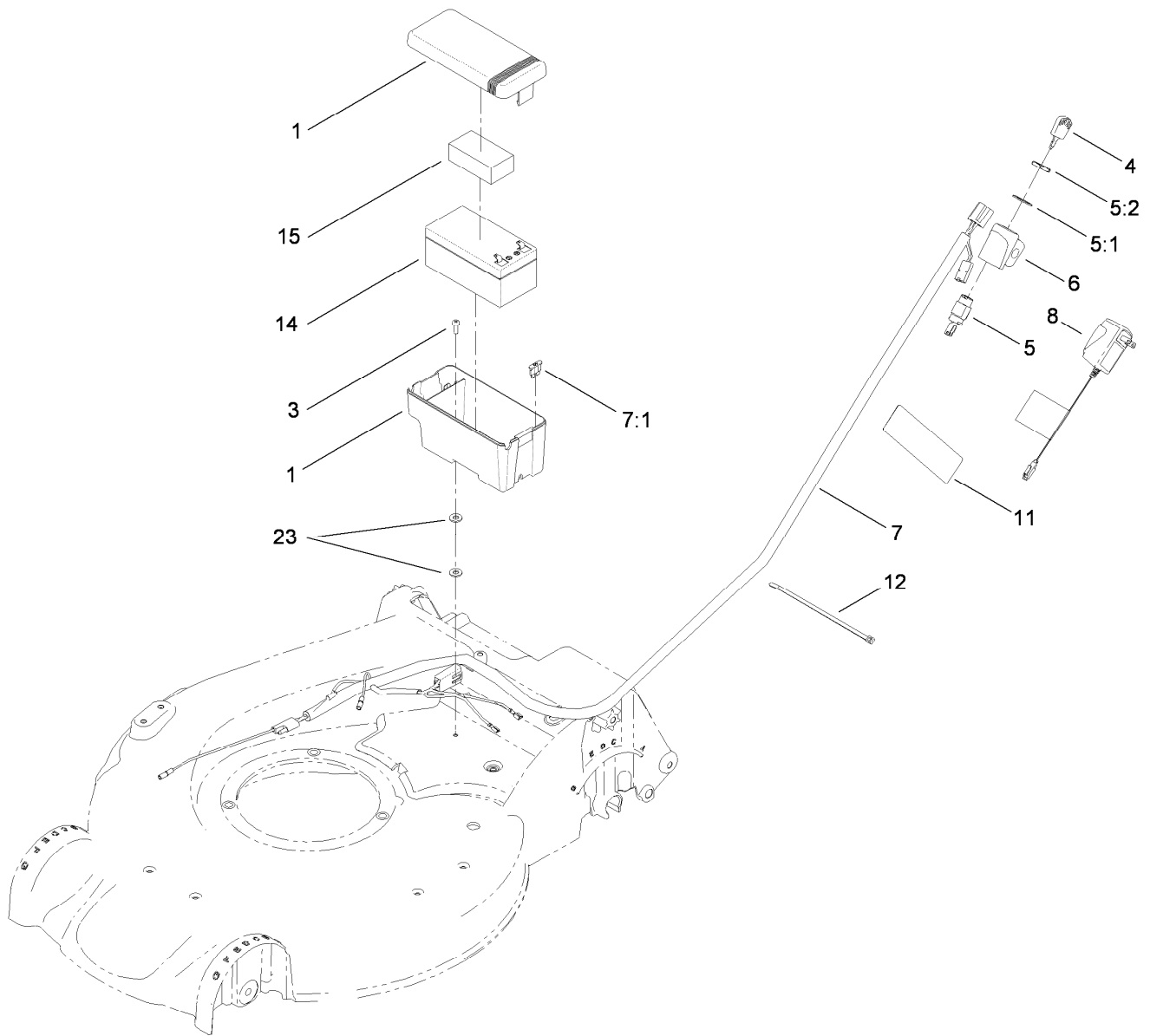
● Not serviced separately

■ Obtain parts from [www.briggsandstratton.com](http://www.briggsandstratton.com)



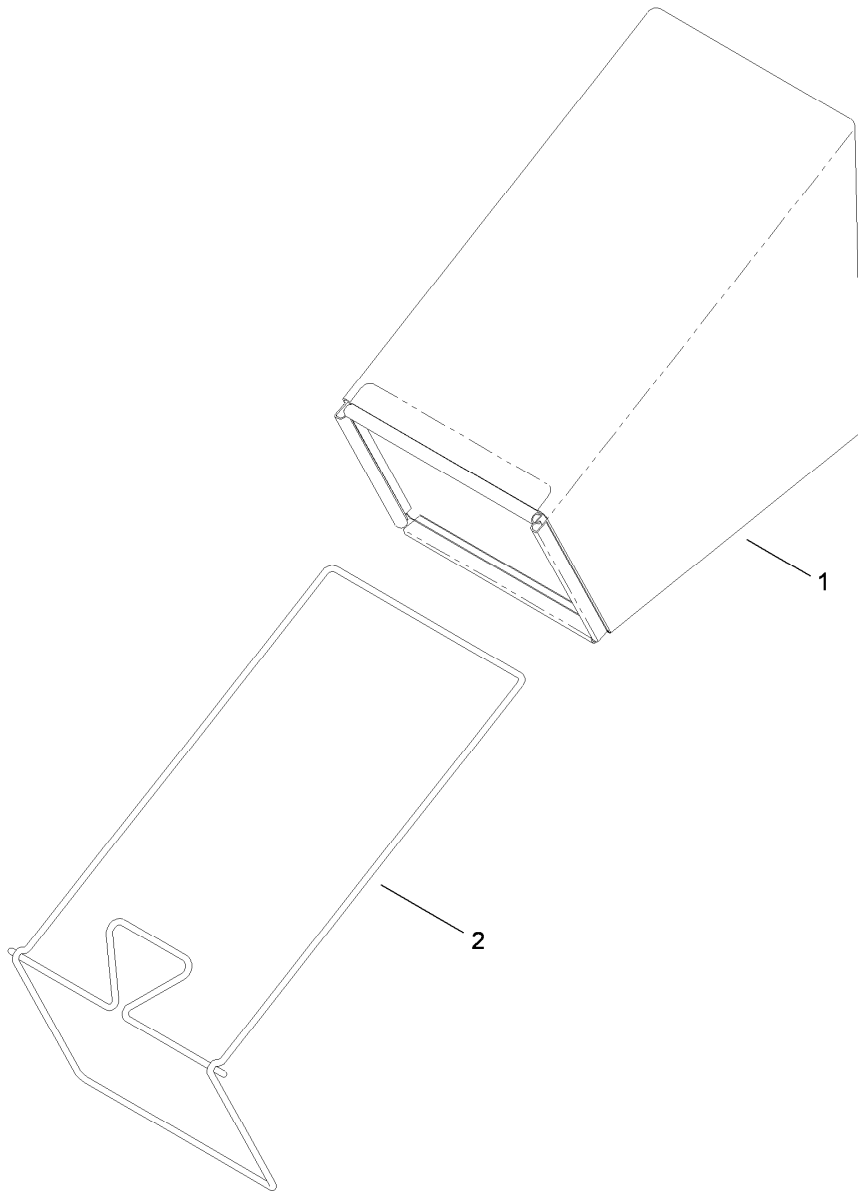
## Handle Assembly

Ref.	Part Number	Qty.	Description	Ref.	Part Number	Qty.	Description
1	104-8679-03	1	Bail-Brake	16:1	109-0917	1	Nut-Push
2	104-8678	1	Handle-Control	16:2	114-7995	1	Lever
3	99-1589	1	Lever-Traction	16:3	114-7996	1	Anchor-Spring
4	99-1588	1	Bar-Control, Traction	16:4	115-2858	1	Spring-Compression
5	105-6842	1	Guide-LH	17	115-1958	2	Bolt-Shoulder
6	117-5900	1	Cable-Brake	18	32144-11	2	Screw-HWHTF
7	86-9671	1	Guide-Rope	19	104-8690	1	Spring-Torsion
8	3256-23	1	Washer-Flat	20	115-1300-05	1	Handle
9	105-6841	1	Guide-RH	21	114-2671-03	1	Bracket-Handle, LH
10	108-8134	1	Decal-Handle	22	114-2672-03	1	Bracket-Handle, RH
11	321-50	1	Screw-HH	23	106-6805	1	Guide-Cable
12	99-5239	1	Anchor-Cable	25	115-2884	1	Decal-Instruction
13	3256-1	1	Washer-Flat	26	49-2040	2	Screw-HWHTF
14	3296-73	2	Nut-Lock, NI	27	112-9972	2	Washer-Conical, Spring
15	108-8158	1	Cable-Traction	99	614249	3	Strap-Tie
16	115-2860	2	Quick Release ASM				



## Battery and Harness Assembly

Ref.	Part Number	Qty.	Description
1	108-4844	1	Battery Box ASM
3	32144-32	1	Screw
4	700918	1	Key
5	46-5780	1	Starter Switch ASM
5:1	3254-5	1	Washer-Tooth
5:2	218-461	1	Nut-HH
6	108-9760	1	Mount-Switch
7	114-2625	1	Harness-Wire
7:1	99-6124	1	Fuse-40 Amp
8	114-1588	1	Charger-Battery, Fujikon
11	104-7953	1	Decal-Harness
12	614249	2	Strap-Tie
14	106-8397	1	Battery-12 Volt
15	107-3774	1	Foam-Battery, Top
23	3256-22	2	Washer-Flat



## Rear Bag Assembly

<i>Ref.</i>	<i>Part Number</i>	<i>Qty.</i>	<i>Description</i>
1	114-2664	1	Grass Bag ASM
2	114-2679-03	1	Frame-Bag

# Attachments and Accessories

## For 20095C Super Recycler Lawn Mower

<b>Product Name</b>	<b>Model/Part</b>
Bagging Blade .....	108-3759-03
Traction Assist Handle Kit.....	108-8120
Toro Walk Mower Cover.....	490-7462
Plain Walk Mower Cover.....	490-7463
Dethatcher Kit.....	59131

**Notes:**

**Notes:**

**Notes:**



**Count on it.**