



Count on it.

Parts Catalog

TimeCutter® Z5060 Riding Mower

Model No. 74375—Serial No. 31000001 and Up

Ordering Replacement Parts

To order replacement parts, please supply the part number, the quantity, and the description of each part desired.

Understanding Reference Numbers

Each identified part in an illustration has a reference number. The reference number for a part also appears in the parts list, along with other information about the part.

This catalog uses two special reference number formats, one to indicate parts in a service assembly and another to indicate the quantity of a given part in an illustration.

Service Assembly Reference Numbers

Parts in service assemblies have reference numbers in the form a:b. The a represents the reference number of the entire service assembly and the b represents a sequential number unique to each part within the service assembly.

For example, a wheel assembly might be identified by reference number 6, the tire by 6:1, the valve by 6:2, and the wheel by 6:3. When you order the assembly identified by reference number 6, you receive all parts identified by reference numbers 6:1, 6:2, and 6:3. However, you may also order any part individually. Reference numbers of this type appear in illustration and in parts lists.

Reference Numbers Indicating Quantity

In an illustration, if a reference number indicates more than one part, the reference number has the form nX y. The n represents the quantity of the part, the X is the multiplication symbol, and the y represents the reference number.

For example, in an illustration, the reference number 2X 37 means that two of the parts identified by reference number 37 are indicated.

List of Abbreviations

AR: as required

ASM: assembly

BBC: blade brake clutch

CARR: carriage

CCW: counter clock wise

CW: clockwise

DEG: degrees

ECM: electronic control module

EXT: external

FH: flat head

GA: gauge

HD: heavy-duty

HF: hex flange

HH: hex head

HHF: hex head flange

HHFTF: hex head flange thread forming

HJ: hex jam

HLH: hex lag head

HOC: height-of-cut

HSBH: hex socket button head

HSFH: hex socket flat head

HSH: hex socket head

HWH: hex washer head

HWHTF: hex washer head thread forming

HYD: hydraulic

LH: left hand

NI: nylon insert

NPTF: national pipe thread fine

PFH: phillips flat head

PPH: phillips pan head

PPHTF: phillips pan head thread forming

PRH: phillips round head

PTH: phillips truss head

PTO: power-take-off

RH: right hand

ROPS: roll-over protection system

RRB: rear roller brush

SFH: slotted fillister head

SHH: slotted hex head

SHWH: slotted hex washer head

SPH: slotted pan head

SQH: square head

SRH: slotted round head

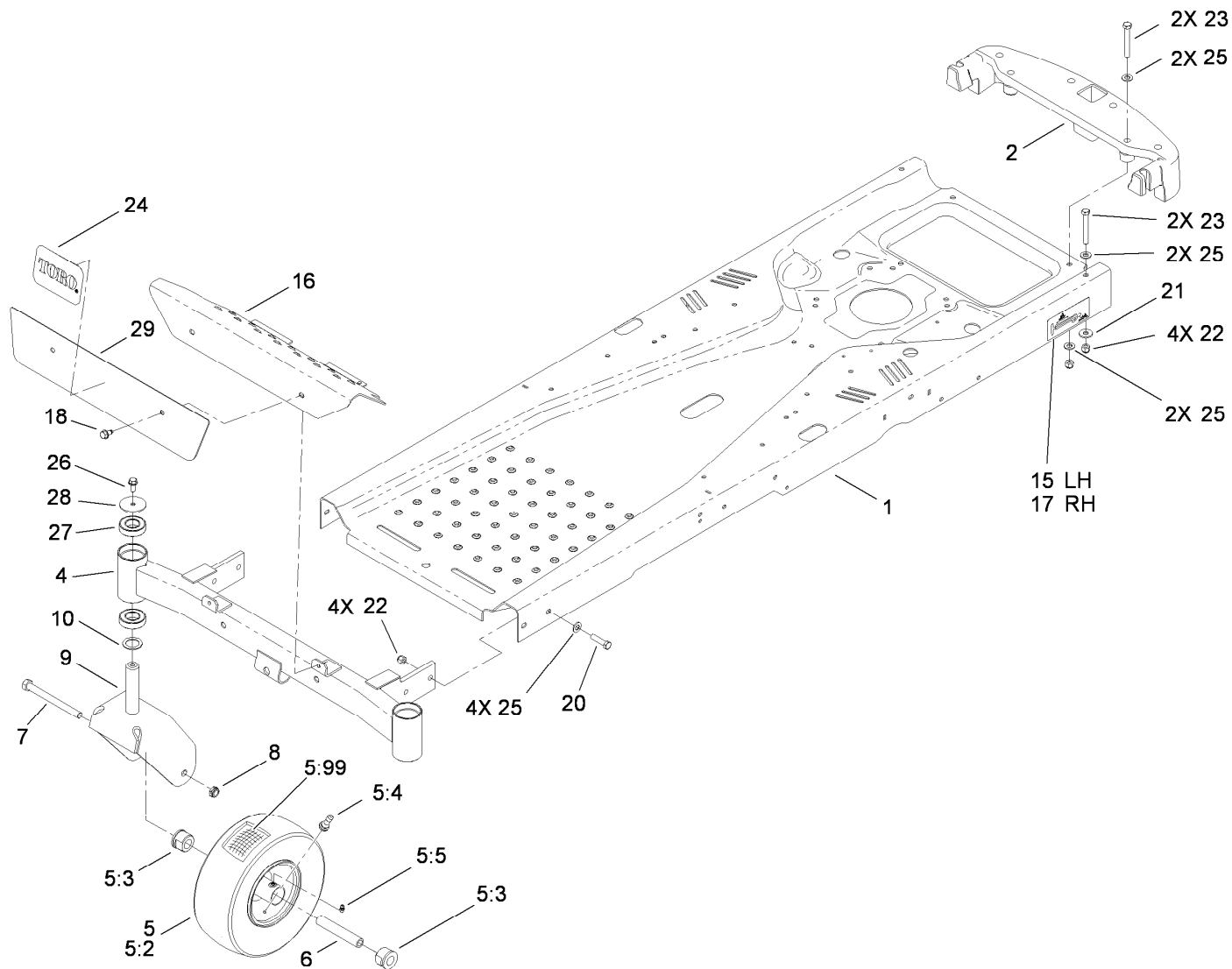
STD: standard

TAP: self tapping

TTH: torx truss head

Contents

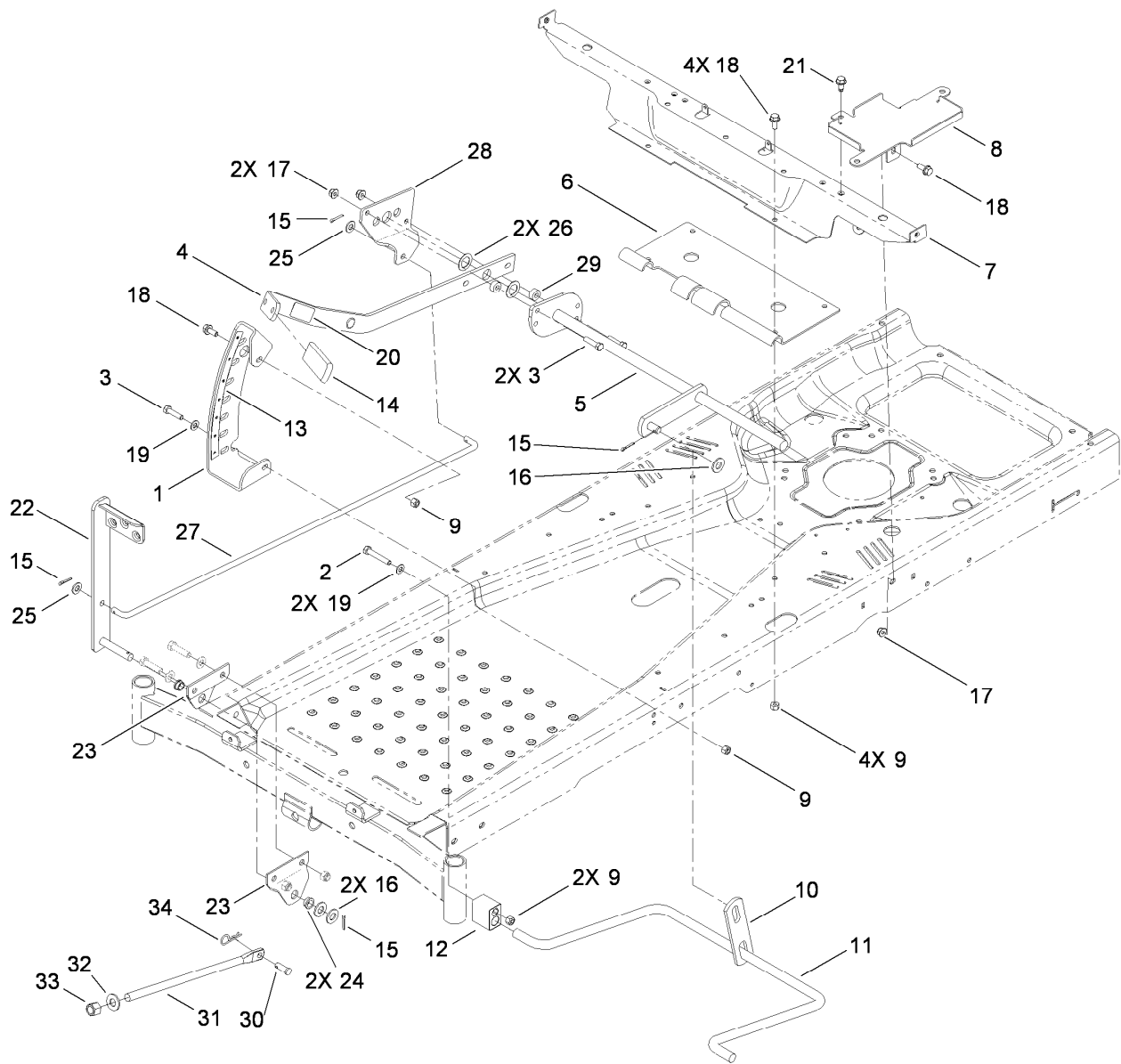
Frame and Caster Wheel Assembly	4
Deck Lift Assembly.....	5
Seat Assembly	6
Seat and Armrest Kit Assembly No. 117-1227.....	7
Motion Control Assembly	8
Hydro Traction Drive Assembly	9
RH Hydro Assembly No. 110-6771	10
LH Hydro Assembly No. 110-6770	12
Engine and Clutch Assembly	14
Fuel Delivery and Body Styling Assembly	15
Electrical Assembly	16
50 Inch Deck Assembly.....	17
50 Inch Deck and Decal Assembly No. 117-1291	18
50 Inch Deck Spindle and Blade Assembly	19
Attachments and Accessories	20



Frame and Caster Wheel Assembly

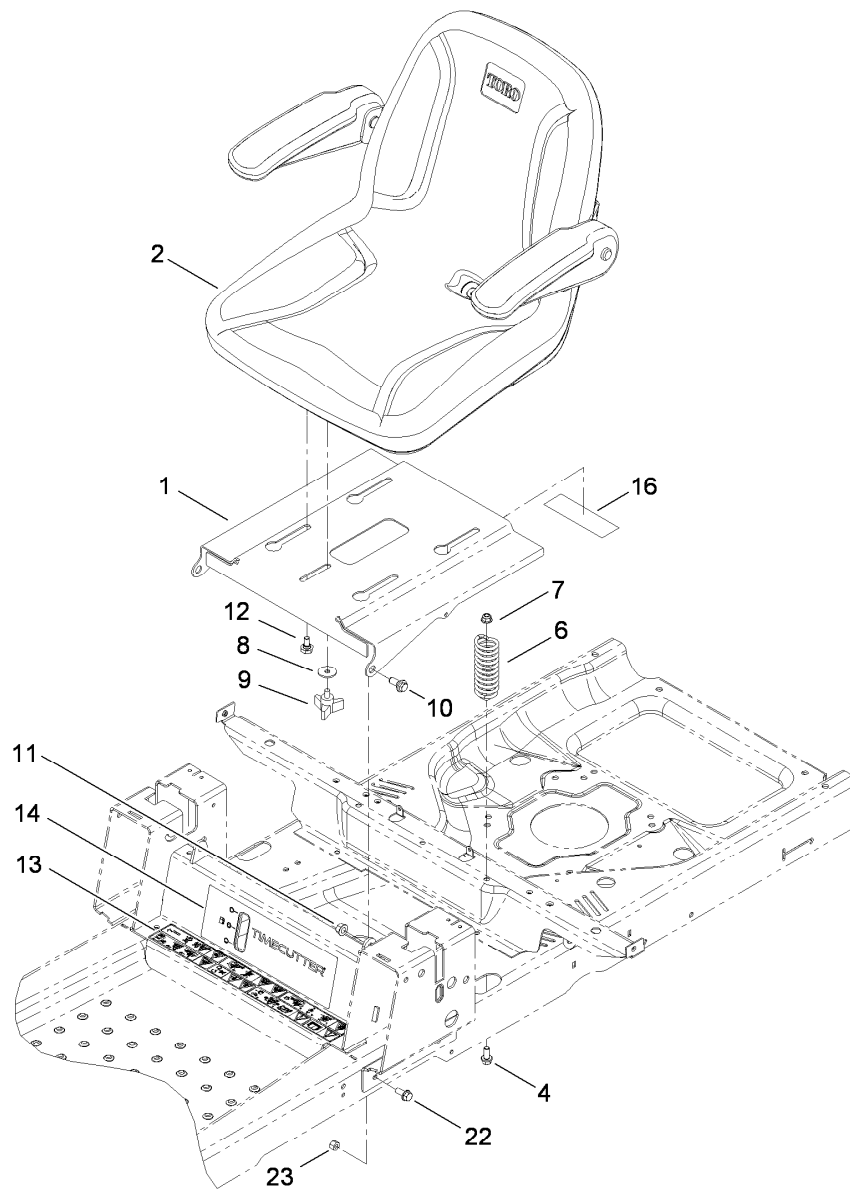
Ref.	Part Number	Qty.	Description	Ref.	Part Number	Qty.	Description
1	115-2464-01	1	Frame	15	114-8532	1	Decal-Transport, LH
2	110-6899-03	1	Bumper-Rear	16	108-7855-03	1	Footrest
4	117-1160-01	1	Front Axle ASM	17	114-8531	1	Decal-Transport, RH ●
5	117-7293	2	11 Inch Tire And Wheel ASM	18	32104-32	2	Screw-HWH
5:2	117-7387	1	Tire-Ribbed	20	323-8	4	Screw-HH
5:3	114-1640	2	Bushing-Flange	21	80-6990	2	Washer-Hardened
5:4	232-27	1	Stem-Valve	22	3296-39	8	Nut-Lock, NI
5:5	302-5	1	Fitting-Grease	23	323-13	4	Screw-HH
5:99	117-1234	1	Tube-Inner	24	105-8278	1	Decal
6	117-7498	2	Bushing-Spanner	25	3256-24	10	Washer-Flat
7	325-22	2	Screw-HH	26	3234-47	2	Screw-HHF
8	3296-45	2	Nut-Lock, NI	27	109-3678	4	Bearing-Ball
9	117-7383-01	2	Caster Fork ASM	28	109-3724	2	Washer
10	117-7394	2	Washer-Thrust	29	117-1237-03	1	Plate-Footrest

● Not illustrated



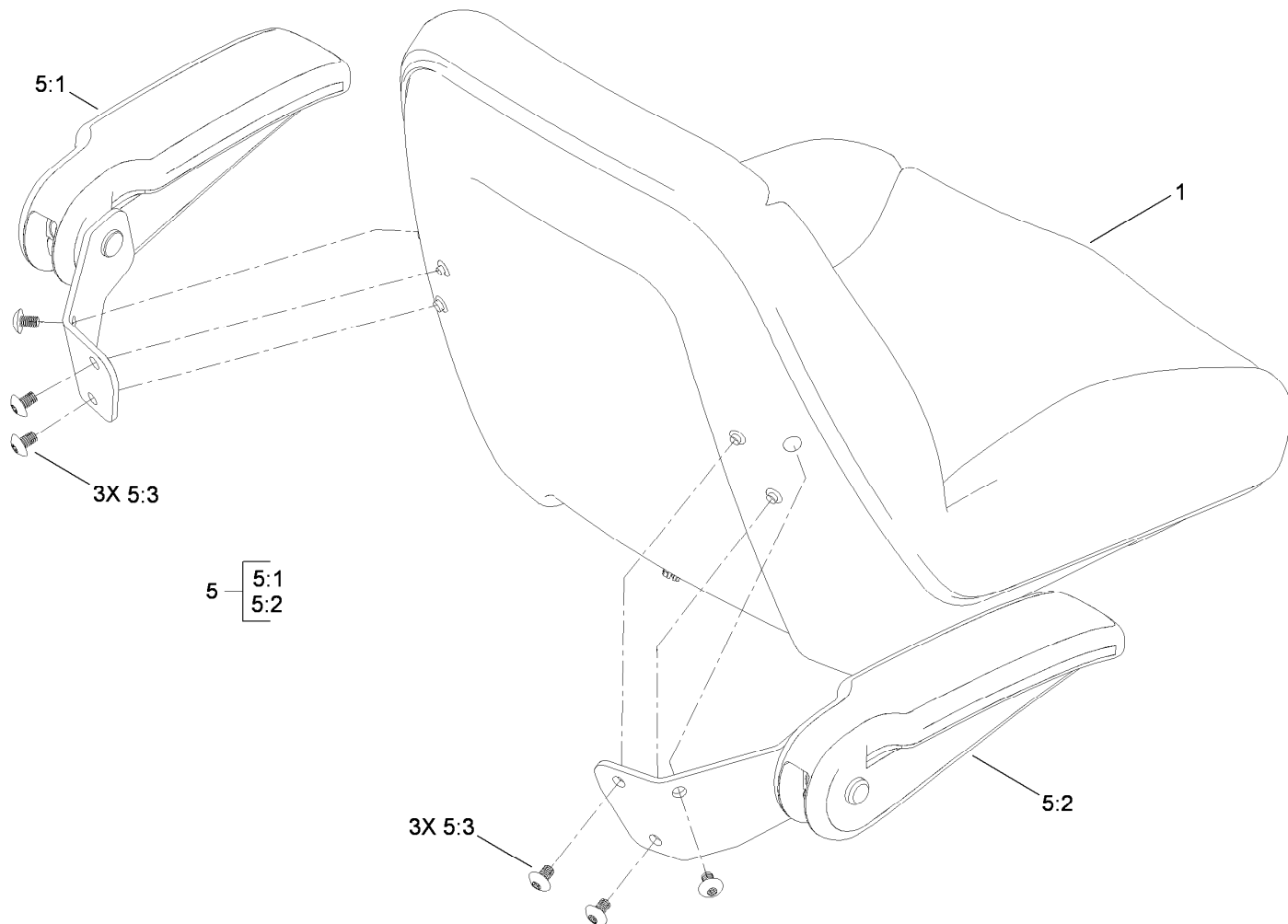
Deck Lift Assembly

Ref.	Part Number	Qty.	Description	Ref.	Part Number	Qty.	Description
1	112-4027-03	1	Sector-HOC	18	3234-47	6	Screw-HHF
2	322-10	2	Screw-HH	19	3256-23	3	Washer-Flat
3	322-6	3	Screw-HH	20	106-8743	1	Decal-HOC
4	112-3960-03	1	Lift Arm ASM	21	32104-32	1	Screw-HWH
5	108-7841-03	1	Lift Lever ASM	22	112-4018-03	1	Pedal ASM
6	110-6800-03	1	Plate-Lift	23	112-3954-03	2	Bracket-Footlift
7	110-6805-03	1	Bracket-Seat/Pods	24	256-156	2	Bushing-Flange
8	110-1937-03	1	Tray-Battery	25	3256-24	2	Washer-Flat
9	3296-29	8	Nut-Lock, NI	26	3-6498	2	Washer-Thrust
10	108-7840	1	Link-Lift	27	112-3958	1	Rod-Lift
11	108-7839	1	Arm-Lift, Rear	28	112-3959	1	Plate-Footlift
12	108-7845	2	Block-Pivot	29	112-3961	2	Spacer
13	112-9802	1	Decal-HOC	30	1-808284	1	Pin-Clevis
14	105-3450	1	Grip-Lever, Lift	31	108-7847	1	Rod-Lift
15	3272-10	4	Pin-Cotter	32	87-7270	1	Washer-Thrust
16	3256-26	3	Washer-Flat	33	3296-23	1	Nut-Lock, NI
17	104-8300	3	Nut-Flange, NI	34	9335054	1	Pin-Hair



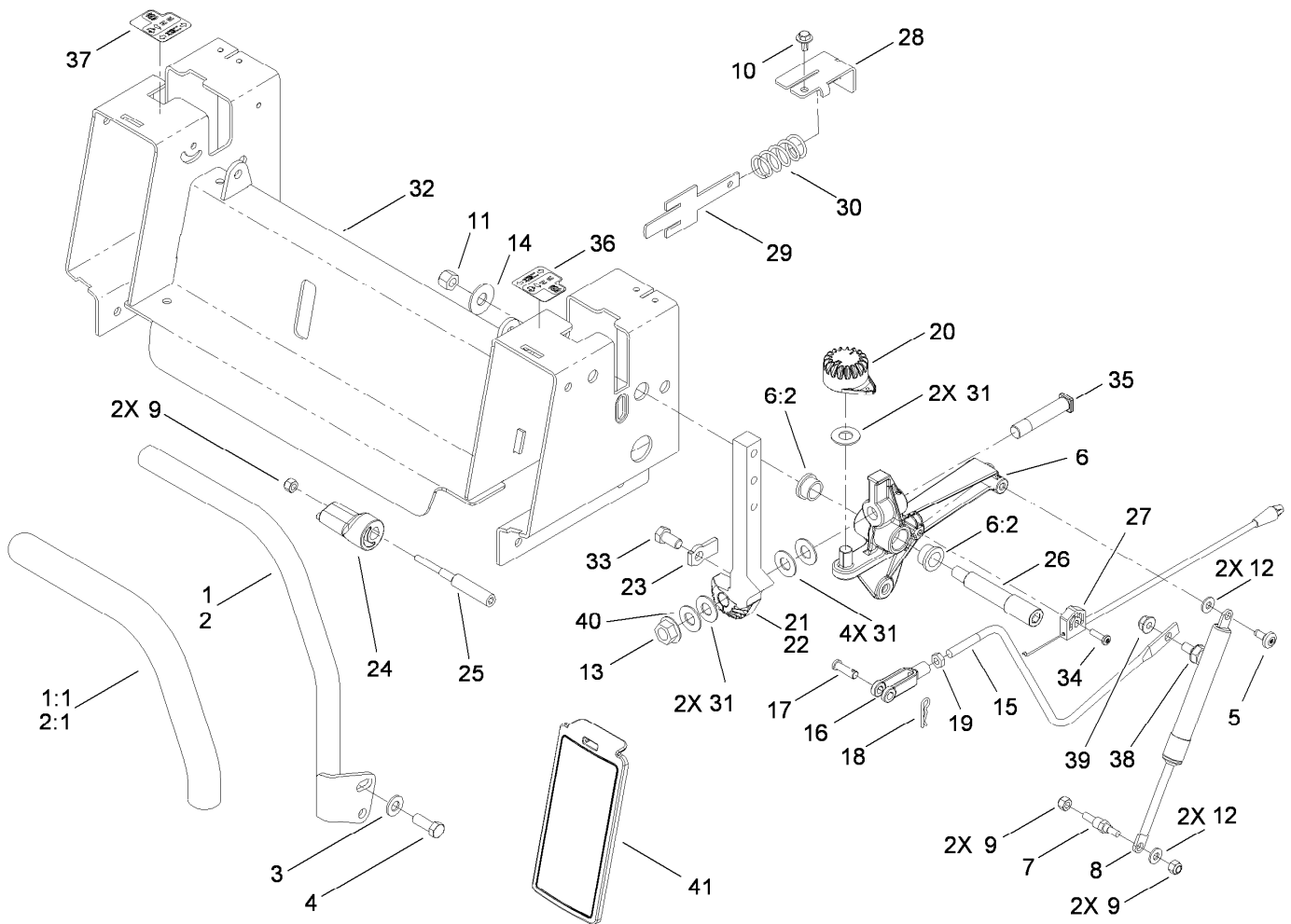
Seat Assembly

Ref.	Part Number	Qty.	Description
1	115-2465-03	1	Base-Seat
2	117-1227	1	18 Inch Seat ASM W/ Armrests
4	3234-47	2	Screw-HHF
6	92-7054	2	Spring-Compression
7	104-8300	2	Nut-Flange, NI
8	5-4460	1	Washer-Pivot
9	92-9674	1	Knob
10	94-7582	2	Bolt-Shoulder
11	32128-21	2	Nut-HF
12	37-8771	4	Bolt-Shoulder
13	115-2469	1	Decal-Danger
14	117-1268	1	Decal-Timecutter
16	106-8717	1	Decal-Service
22	3234-7	7	Screw-HHF
23	3296-29	7	Nut-Lock, NI



Seat and Armrest Kit Assembly No. 117-1227

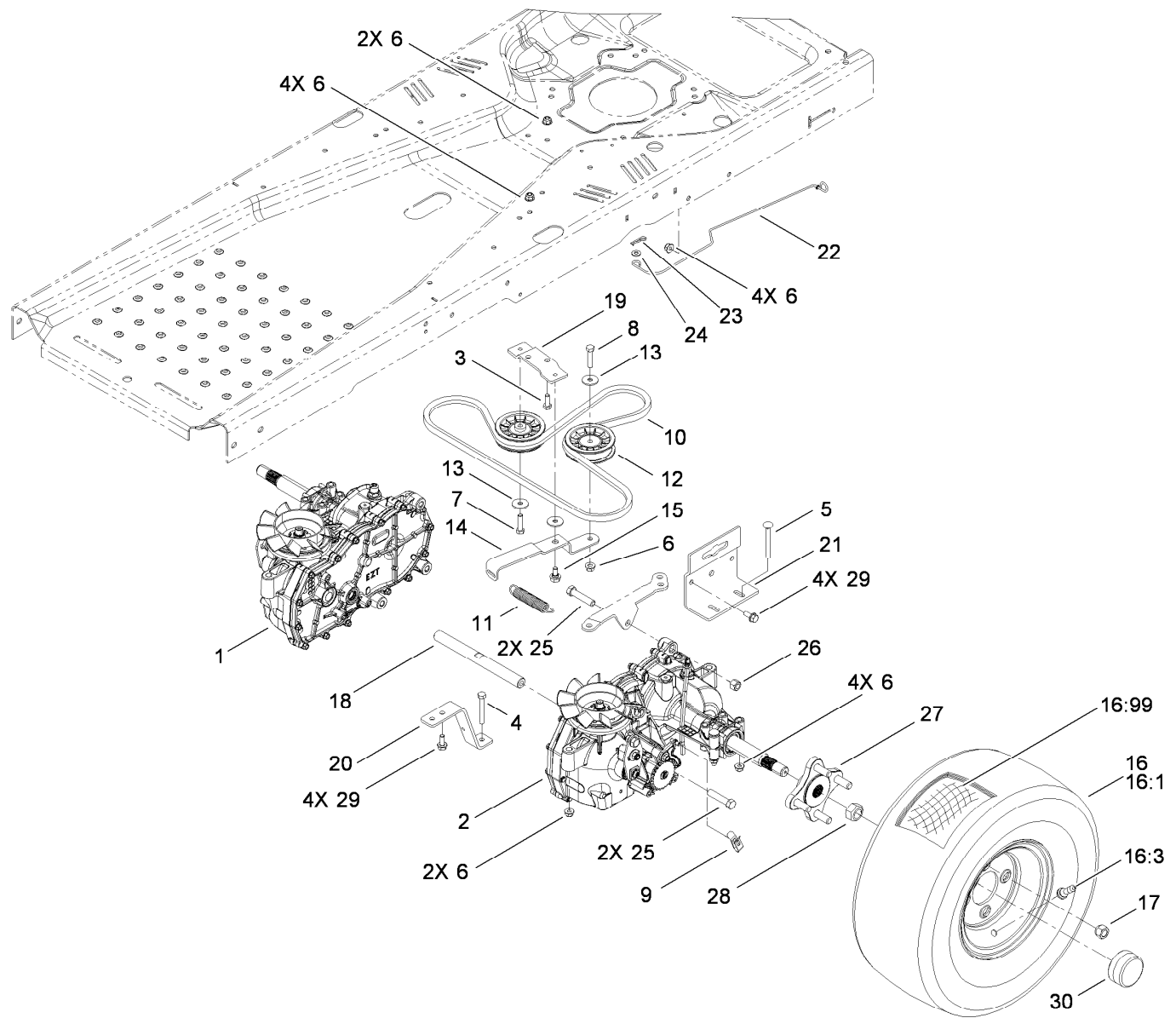
<i>Ref.</i>	<i>Part Number</i>	<i>Qty.</i>	<i>Description</i>
1	117-1226	1	Seat-18 Inch
5	108-6163	1	Armrest Kit
5:1	110-6569	1	LH Armrest Kit
5:2	110-6570	1	RH Armrest Kit
5:3	108-6179	6	Screw-HSBH



Motion Control Assembly

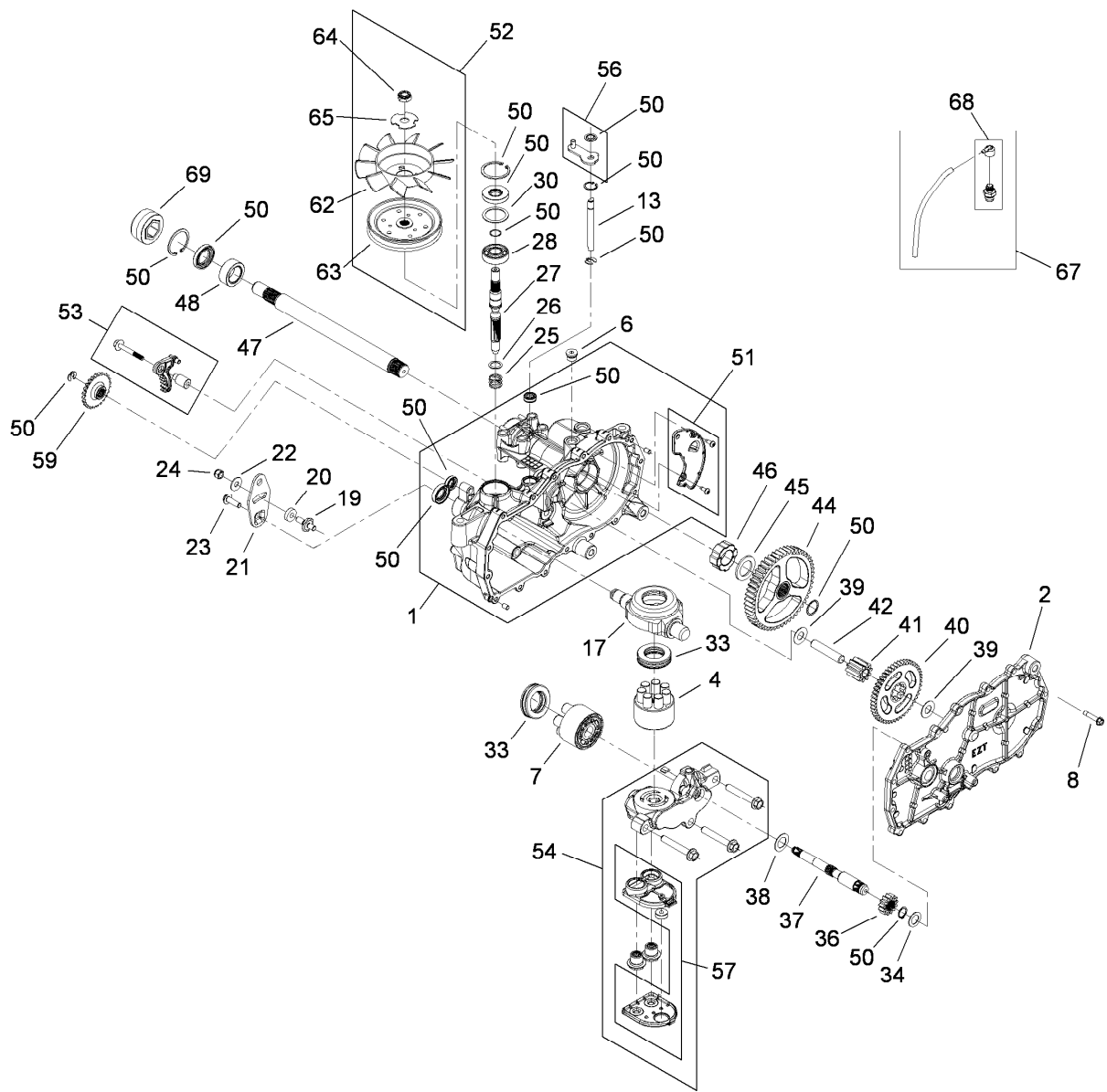
Ref.	Part Number	Qty.	Description	Ref.	Part Number	Qty.	Description
1	117-5339	1	RH Control Handle ASM	20	110-6845	2	Gear-Control
1:1	108-6187	1	Grip	21	110-6783-05	1	Arm-Actuator, LH
2	117-5338	1	LH Control Handle ASM ●	22	110-6782-05	1	Arm-Actuator, RH ●
2:1	108-6187	1	Grip ●	23	115-5023	2	Tab-Stop
3	3256-24	4	Washer-Flat	24	110-6873	2	Eccentric
4	323-6	4	Screw-HH	25	110-6874	2	Screw-Eccentric
5	112-4004	2	Screw-Shoulder	26	110-6875	2	Bolt-Shoulder
6	110-6828	2	Activator Arm ASM	27	110-6858	2	Cable-Brake, Parking
6:2	105-3455	2	Bushing	28	110-6751	2	Bracket-Return
7	110-6810	2	Stud-Damper	29	110-6750	2	Plate-Return
8	103-2913	2	Damper-Control, Motion	30	110-6752	2	Spring-Compression
9	3296-42	6	Nut-Lock, NI	31	110-6894	8	Washer-Pivot
10	46-8560	2	Screw-HHF	32	115-5041-03	1	Seat Pivot/Control ASM
11	3296-48	2	Nut-Lock, NI	33	323-4	2	Screw-HH
12	3256-22	4	Washer-Flat	34	110-0863	2	Screw-Torx
13	32128-23	2	Nut-HF	35	110-6784	2	Bolt-Shoulder
14	3256-5	2	Washer-Flat	36	112-9750	1	Decal-Control Lever, LH
15	110-6693	2	Link-Hydro	37	112-9751	1	Decal-Control Lever, RH
16	1-303105	2	Yoke-Adjustable	38	37-8771	2	Bolt-Shoulder
17	1-808280	2	Pin-Clevis	39	104-8300	2	Nut-Flange, NI
18	1-806003	2	Pin-Cotter, Hair	40	112-9771	2	Washer-Teflon
19	3220-2	2	Nut-Jam	41	110-6786	2	Cover-Control

● Not illustrated



Hydro Traction Drive Assembly

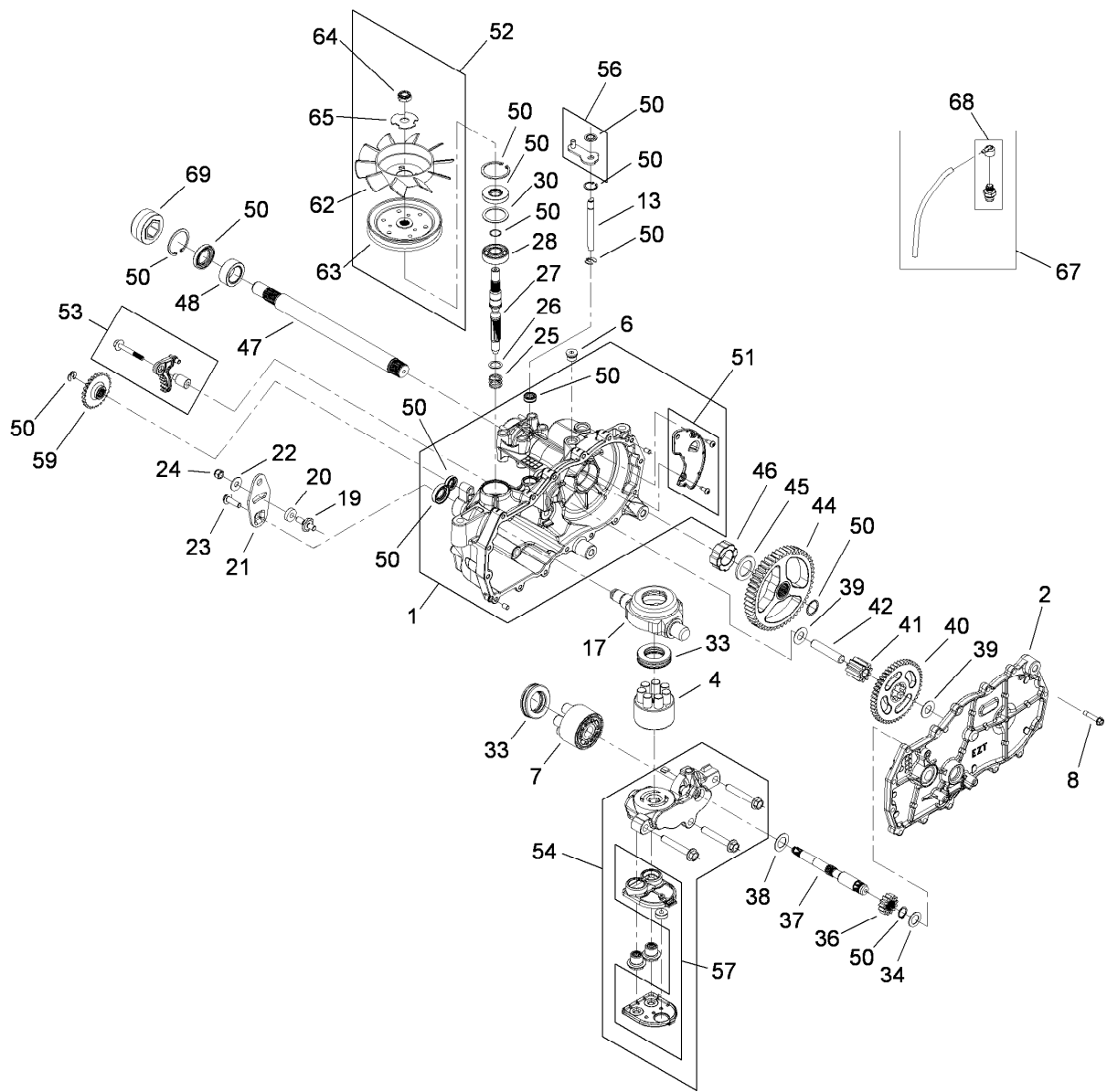
Ref.	Part Number	Qty.	Description	Ref.	Part Number	Qty.	Description
1	110-6771	1	Hydro-RH	16:3	232-27	1	Stem-Valve
2	110-6770	1	Hydro-LH	16:99	232-37	1	Tube
3	322-4	2	Screw-HH	17	242-50	8	Nut-Lug
4	322-11	2	Screw-HH	18	110-6807	1	Shaft-Cross
5	3230-9	4	Screw-CARR	19	110-1926	1	Plate-Pivot
6	104-8300	17	Nut-Flange, NI	20	110-6806-03	2	Strap-Torque
7	322-6	1	Screw-HH	21	110-6878-03	2	Support-Hydro
8	322-7	1	Screw-HH	22	110-6787	2	Rod-Bypass
9	110-6677	2	Clip-Spring	23	1-806003	2	Pin-Cotter, Hair
10	110-6774	1	V-Belt	24	3256-22	2	Washer-Flat
11	63-1590	1	Spring-Idler	25	324-8	4	Screw-HH
12	110-6775	2	Pulley-Idler	26	3296-48	2	Nut-Lock, NI
13	5-4460	3	Washer-Pivot	27	112-3979	2	Hub ASM
14	110-1925	1	Arm-Idler	28	112-3982	2	Nut-Lock
15	37-8771	1	Bolt-Shoulder	29	3234-47	8	Screw-HHF
16	110-6883	2	Wheel And Tire ASM	30	115-5057	2	Cover-Nut, Axle
16:1	110-6887	1	Tire				



RH Hydro Assembly No. 110-6771

Ref.	Part Number	Qty.	Description	Ref.	Part Number	Qty.	Description
1	114-1630	1	RH Main Housing ASM	33	94-6922	2	Bearing-Thrust
2	114-1631	1	RH Side ASM	34	104-5339	1	Washer-Flat
4	110-8561	1	Pump Block ASM	36	104-5316	1	Gear-Pinnion, 13T
6	104-2189	1	Plug-Thread, Straight	37	114-1632	1	Shaft-Motor
7	103-2666	1	Cylinder Block Kit	38	104-5360	1	Washer-Shaft, Motor
8	104-5305	16	Screw-HHF	39	94-1933	2	Washer
13	106-8678	1	Rod-Bypass	40	104-5317	1	Gear
17	104-5304	1	Swashplate-Trunnion	41	104-5318	1	Gear-Jackshaft, 10T
19	104-2116	1	Stud	42	104-5329	1	Pin-Jackshaft
20	112-9853	1	Puck-Friction	44	112-9855	1	Gear-52T, Bull
21	106-8747	1	Arm-Control	45	112-9856	1	Washer
22	5-4460	1	Washer-Pivot	46	112-9857	1	Bearing-Sleeve
23	107-2488	1	Screw	47	112-9858	1	Shaft-Axle
24	105-1872	1	Nut	48	112-9859	1	Bushing-Axle
25	94-1936	1	Spring-Block	50	106-8686	1	Seal Kit
26	94-1937	1	Washer-Thrust, Block	51	106-8697	1	RH Expansion Plate Kit
27	104-5306	1	Shaft-Input	52	106-8698	1	Fan Pulley Kit
28	104-5311	1	Bearing-Ball	53	114-1633	1	Brake Arm Kit
30	104-5308	1	Spacer	54	112-9861	1	RH Center Section Filter Kit

● Not illustrated

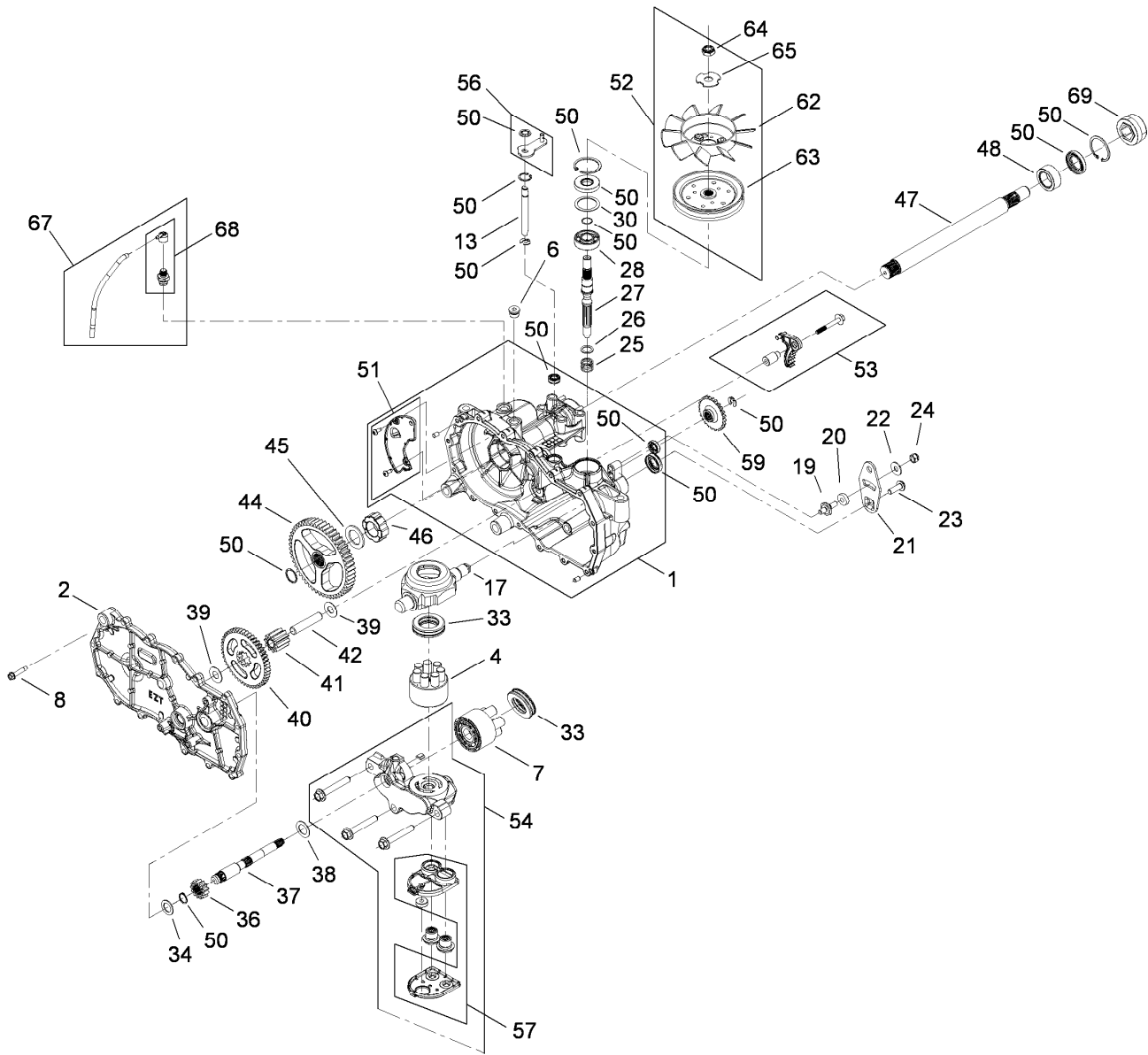


RH Hydro Assembly No. 110-6771 (continued)

<i>Ref.</i>	<i>Part Number</i>	<i>Qty.</i>	<i>Description</i>
55	104-2147	1	Sealant ●
56	107-2489	1	Bypass Arm Kit
57	114-1634	1	Filter Kit
59	106-8694	1	Disc-Brake, Cog
62	110-8566	1	Fan-6 Inch, 10 Blade
63	104-1754	1	Pulley

<i>Ref.</i>	<i>Part Number</i>	<i>Qty.</i>	<i>Description</i>
64	105-1875	1	Nut-Lock
65	107-9122	1	Washer-Slotted
67	112-9866	1	Breather Kit
68	114-1635	1	Breather ASM
69	115-5057	1	Cover-Nut, Axle

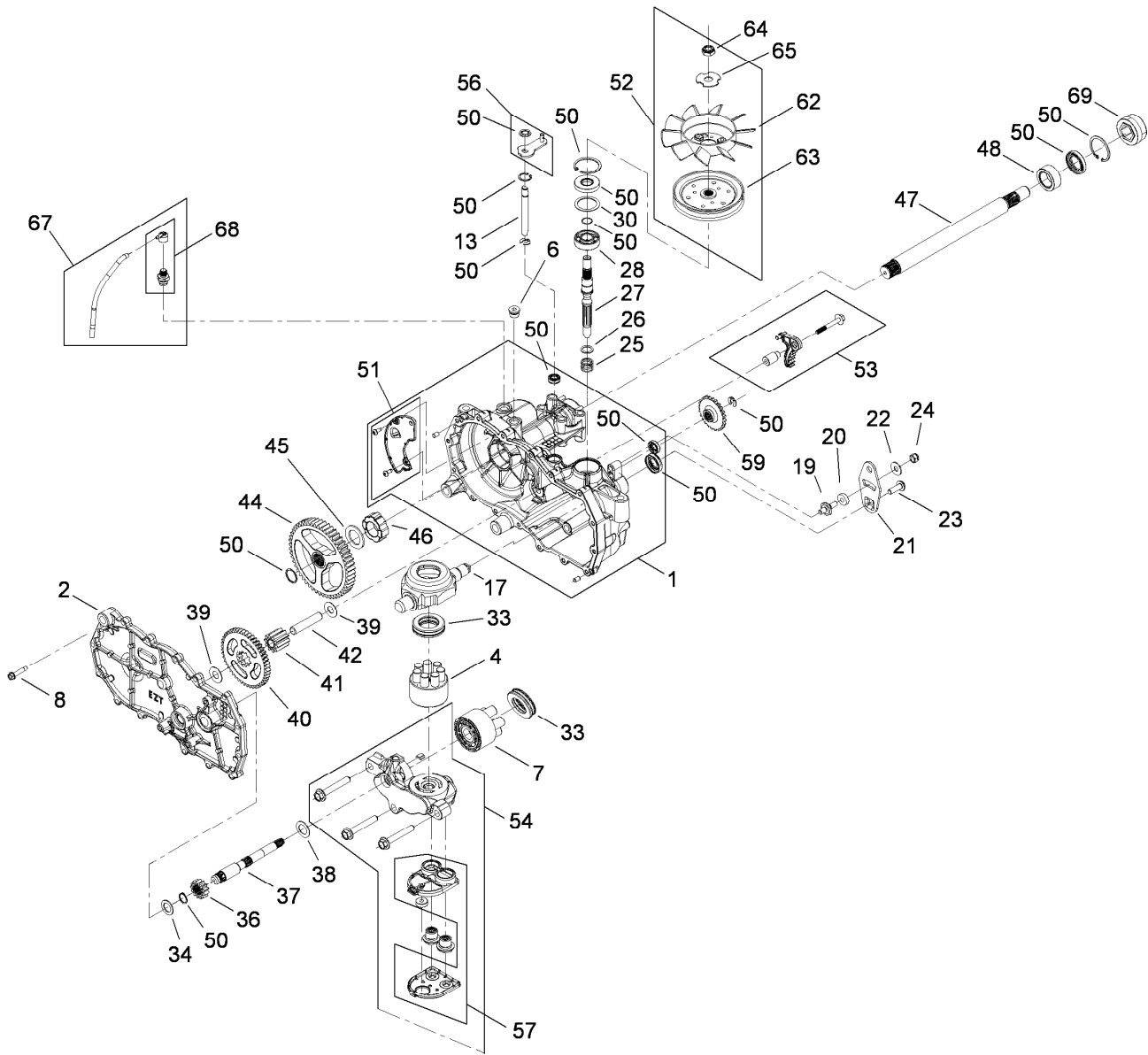
● Not illustrated



LH Hydro Assembly No. 110-6770

Ref.	Part Number	Qty.	Description	Ref.	Part Number	Qty.	Description
1	114-1636	1	LH Main Housing ASM	33	94-6922	2	Bearing-Thrust
2	114-1637	1	LH Side ASM	34	104-5339	1	Washer-Flat
4	110-8561	1	Pump Block ASM	36	104-5316	1	Gear-Pinnion, 13T
6	104-2189	1	Plug-Thread, Straight	37	114-1632	1	Shaft-Motor
7	103-2666	1	Cylinder Block Kit	38	104-5360	1	Washer-Shaft, Motor
8	104-5305	16	Screw-HHF	39	94-1933	2	Washer
13	106-8678	1	Rod-Bypass	40	104-5317	1	Gear
17	104-5304	1	Swashplate-Trunnion	41	104-5318	1	Gear-Jackshaft, 10T
19	104-2116	1	Stud	42	104-5329	1	Pin-Jackshaft
20	112-9853	1	Puck-Friction	44	112-9855	1	Gear-52T, Bull
21	106-8747	1	Arm-Control	45	112-9856	1	Washer
22	5-4460	1	Washer-Pivot	46	112-9857	1	Bearing-Sleeve
23	107-2488	1	Screw	47	112-9858	1	Shaft-Axle
24	105-1872	1	Nut	48	112-9859	1	Bushing-Axle
25	94-1936	1	Spring-Block	50	106-8686	1	Seal Kit
26	94-1937	1	Washer-Thrust, Block	51	106-8687	1	LH Expansion Plate Kit
27	104-5306	1	Shaft-Input	52	106-8698	1	Fan Pulley Kit
28	104-5311	1	Bearing-Ball	53	114-1633	1	Brake Arm Kit
30	104-5308	1	Spacer	54	112-9862	1	LH Center Section Filter Kit

● Not illustrated

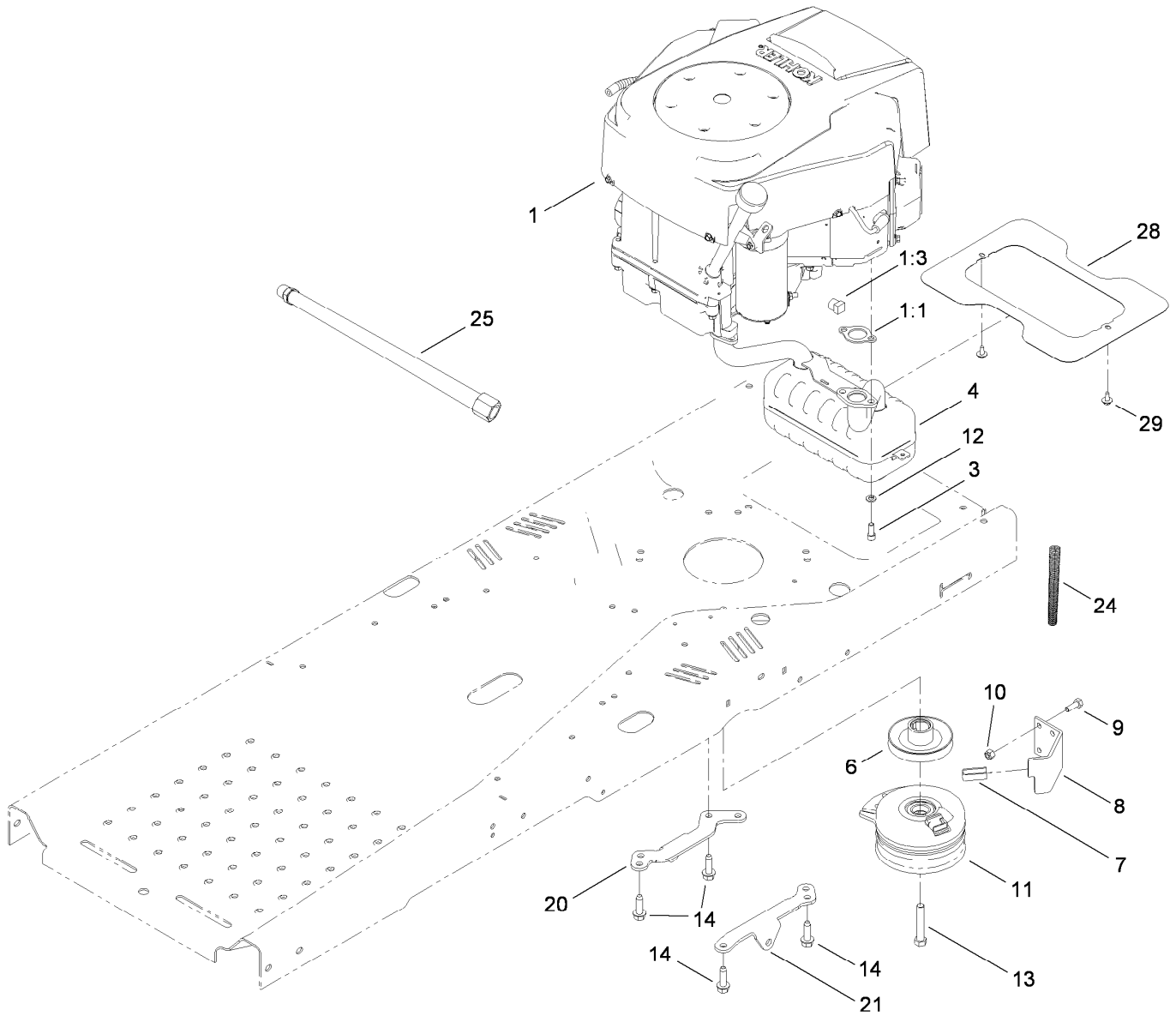


LH Hydro Assembly No. 110-6770 (continued)

Ref.	Part Number	Qty.	Description
55	104-2147	1	Sealant ●
56	107-2489	1	Bypass Arm Kit
57	114-1634	1	Filter Kit
59	106-8694	1	Disc-Brake, Cog
62	110-8566	1	Fan-6 Inch, 10 Blade
63	104-1754	1	Pulley

Ref.	Part Number	Qty.	Description
64	105-1875	1	Nut-Lock
65	107-9122	1	Washer-Slotted
67	112-9866	1	Breather Kit
68	114-1635	1	Breather ASM
69	115-5057	1	Cover-Nut, Axle

● Not illustrated



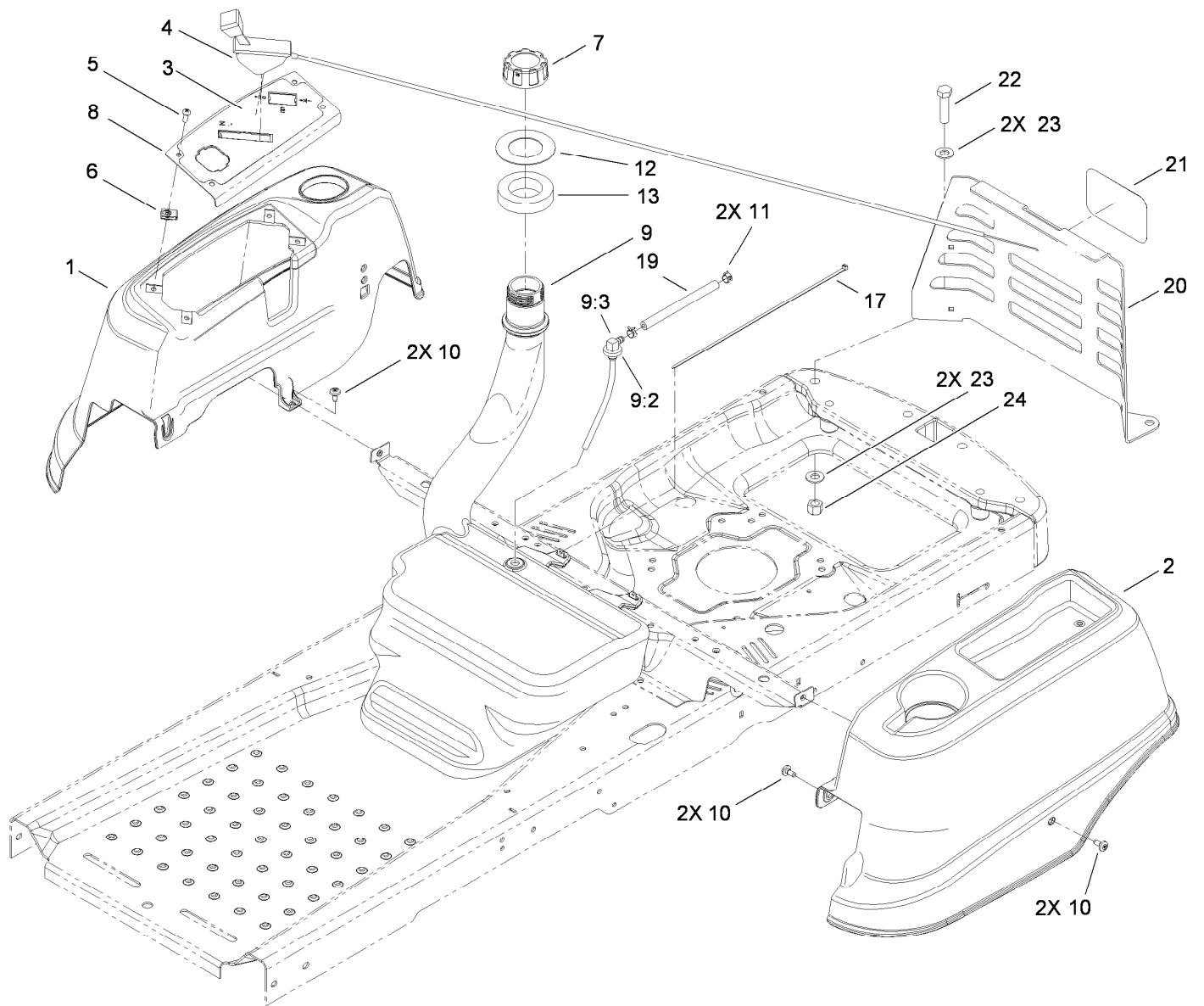
Engine and Clutch Assembly

Ref.	Part Number	Qty.	Description
1		1	Engine-Kohler, Sv730-0029 ● ■
1:1	110-6697	2	Gasket-Exhaust
1:3	281-2	1	Plug-Pipe, SQH
3	3274-10	4	Screw-HSH
4	117-7462	1	Muffler-Kohler Twin
6	114-1622	1	Pulley-Engine
7	112-4033	1	Bumper-Pad
8	110-6896	1	Stop-Clutch
9	322-4	2	Screw-HH
10	3296-29	2	Nut-Lock, NI

Ref.	Part Number	Qty.	Description
11	110-6766	1	Clutch-Electric, PTO
12	3253-4	4	Washer-Lock
13	3212-11	1	Screw-HH
14	32144-109	4	Screw
20	110-6798	1	Support-Hydro, RH
21	110-6799	1	Support-Hydro, LH
24	112-9849	1	Tubing-Convolutd
25	117-1261	1	Oil Drain Hose ASM
28	114-8544-03	1	Shield-Heat
29	46-8560	2	Screw-HHF

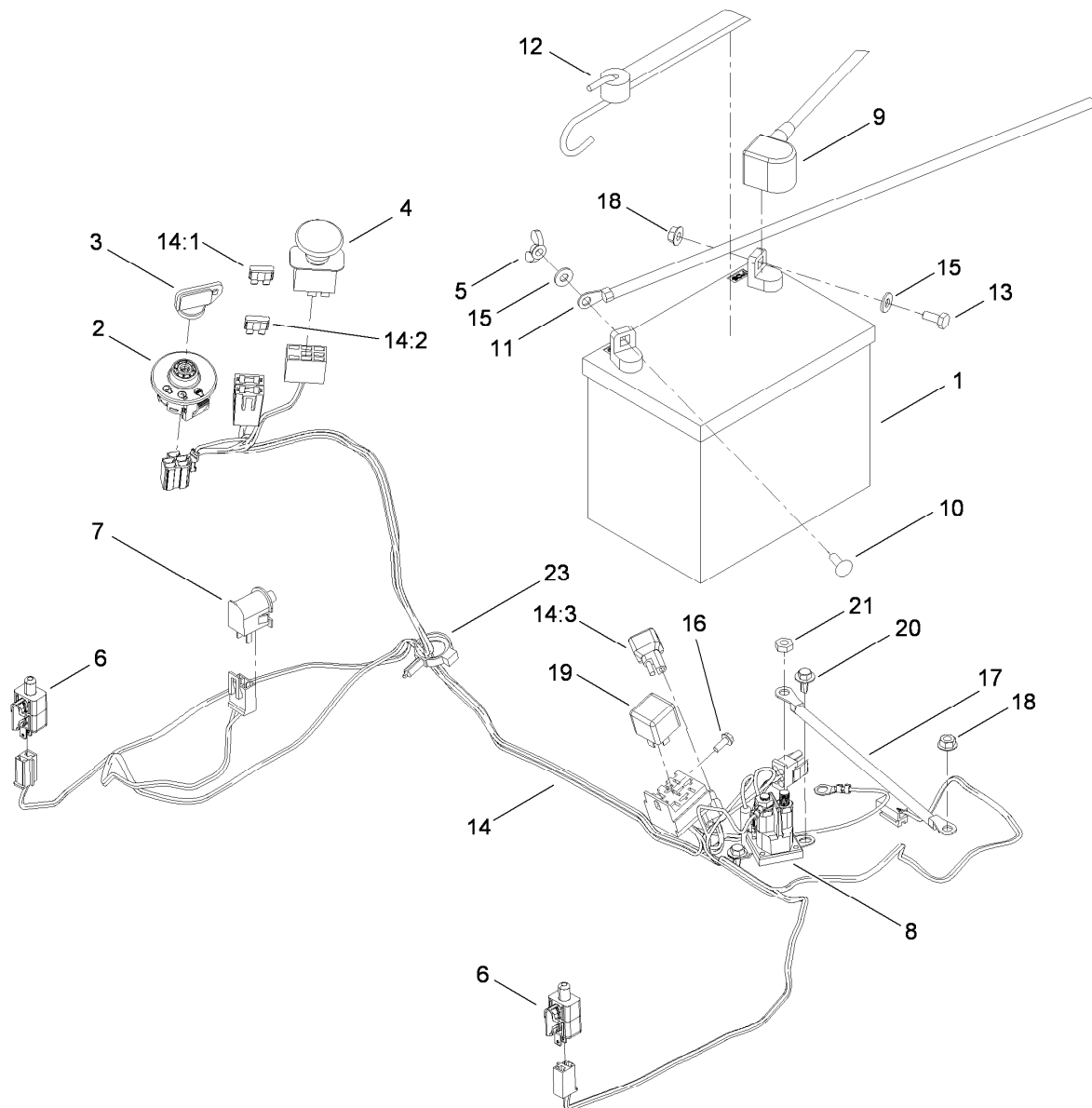
● Not serviced separately

■ Obtain parts from www.kohlerplus.com



Fuel Delivery and Body Styling Assembly

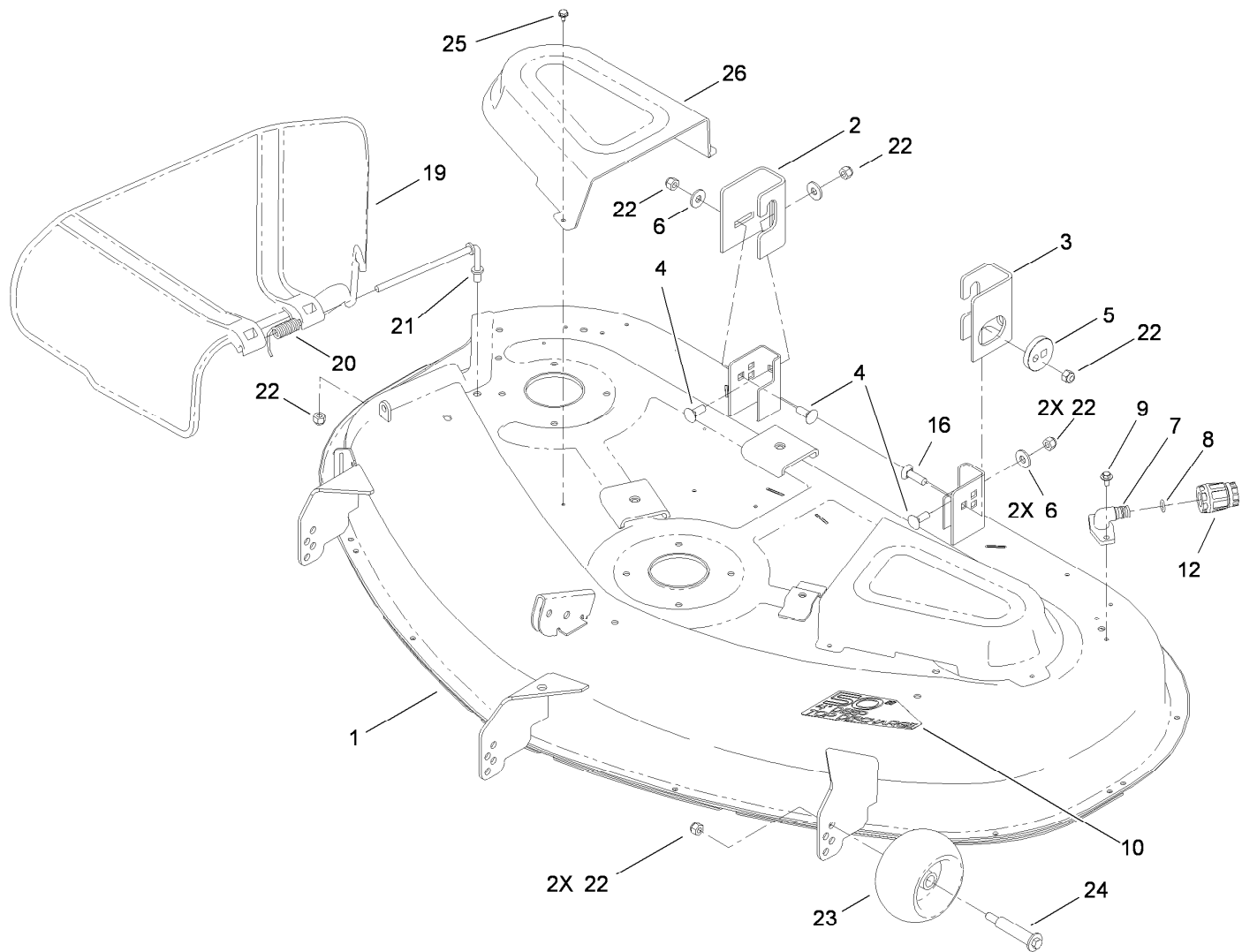
Ref.	Part Number	Qty.	Description	Ref.	Part Number	Qty.	Description
1	117-1219	1	Pod-RH	10	112-4004	6	Screw-Shoulder
2	117-1220	1	Pod-LH	11	2412-98	2	Clamp
3	115-2500	1	Decal-Panel, Control	12	112-9760	1	Washer-Rubber
4	117-1295	1	Cable-Throttle/Choke	13	55-9310	1	Seal-Foam
5	3258-166	4	Screw-PRH	17	100-9064	1	Tie-Cable
6	107069	4	Clip	19	107-0589	1	Hose-Fuel
7	93-7198	1	Gas Cap ASM	20	110-6685-03	1	Support-Cover, Rear
8	110-1927-03	1	Panel-Control	21	105-8278	1	Decal
9	110-6890	1	Fuel Tank ASM	22	325-8	2	Screw-HH
9:2	46-6560	1	Bushing	23	3256-26	4	Washer-Flat
9:3	95-3970	1	Fitting-90 Degree	24	3296-23	2	Nut-Lock, NI



Electrical Assembly

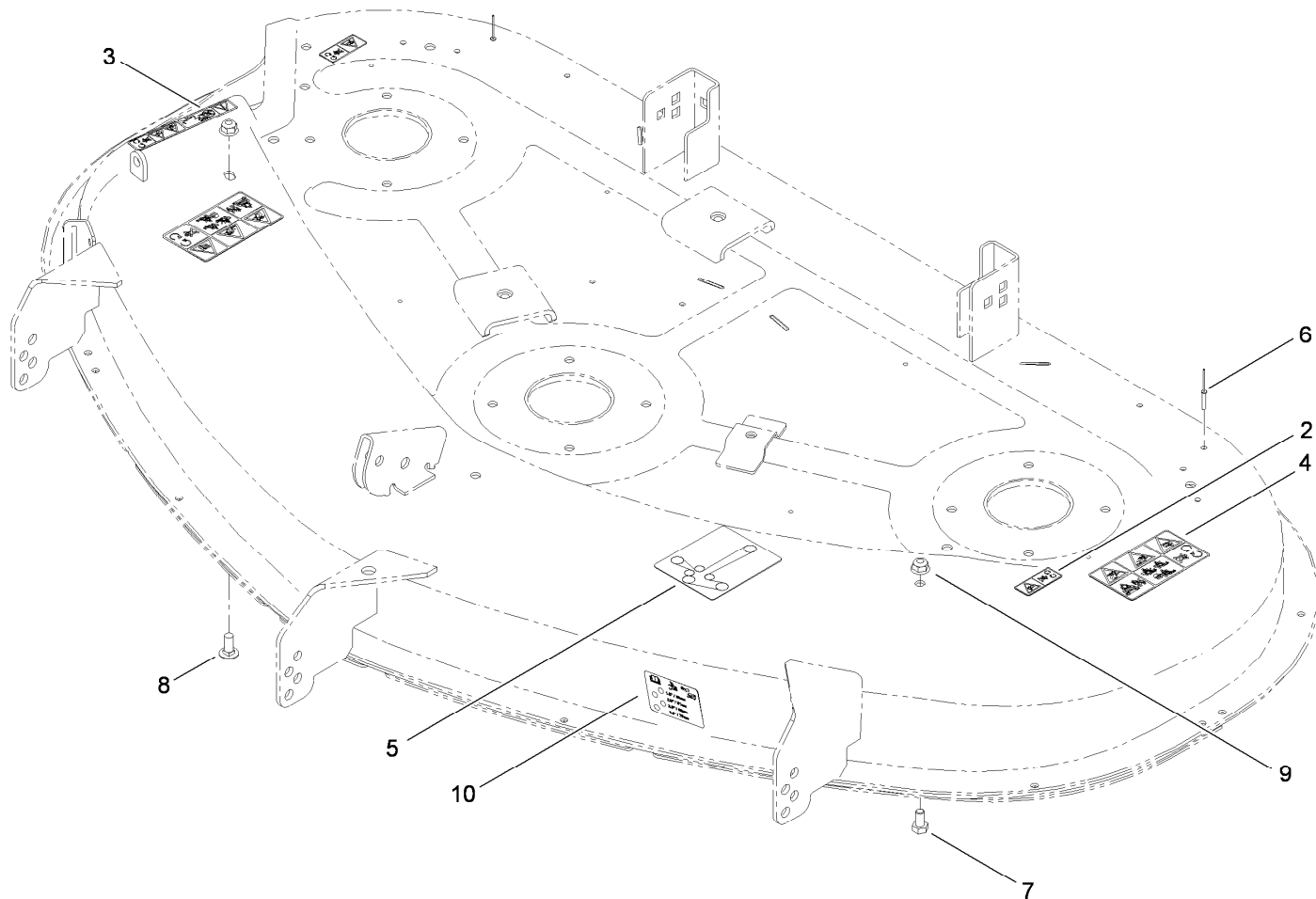
Ref.	Part Number	Qty.	Description
1	104-2493	1	Battery
2	117-2222	1	Switch-Ignition
3	63-8360	1	Key-Ignition
4	93-9998	1	Switch-PTO
5	32103-22	1	Nut-Wing
6	110-6765	2	Switch-Single Pole No
7	82-2190	1	Switch-Bail
8	117-1197	1	Solenoid
9	110-6794	1	Cable-Battery, Red
10	3229-1	1	Screw-CARR
11	110-6793	1	Cable-Battery, Black
12	104-2466	1	Holddown-Battery
13	321-3	1	Screw-HH

Ref.	Part Number	Qty.	Description
14	117-7384	1	Harness-Wire
14:1	109103	1	Fuse-30 Amp
14:2	109102	1	Fuse-25 Amp
14:3	100-4918	1	Diode
15	3256-22	2	Washer-Flat
16	32144-1	1	Screw-Taptite
17	110-6792	1	Cable-Battery, Red
18	32128-33	2	Nut-HF
19	98-7249	1	Relay
20	46-8560	2	Screw-HHF
21	3220-2	2	Nut-Jam
23	105-1853	1	Clamp-Hose



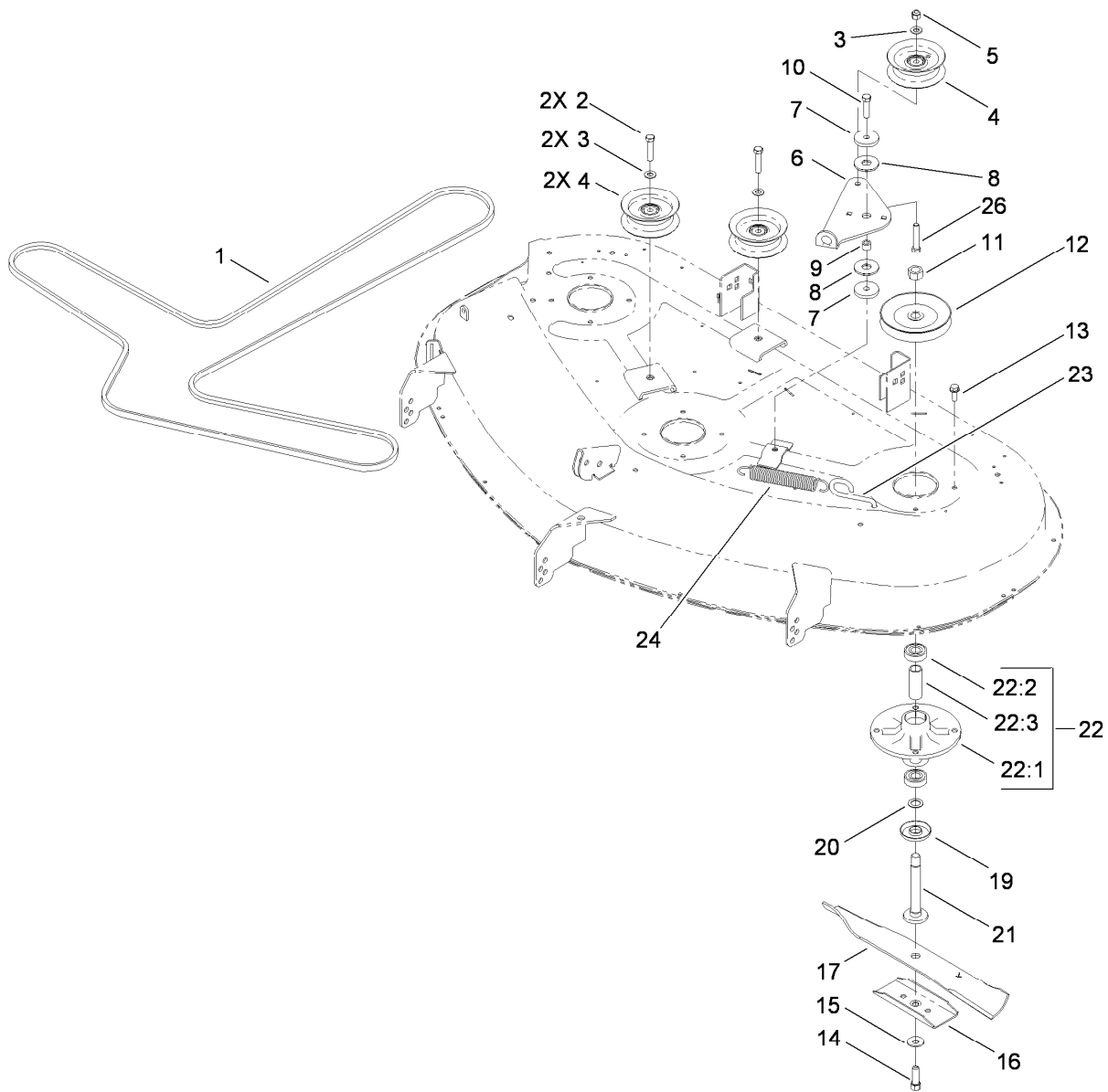
50 Inch Deck Assembly

Ref.	Part Number	Qty.	Description	Ref.	Part Number	Qty.	Description
1	117-1291	1	50 Inch Deck ASM	12	95-3270	1	Connector-Hose
2	108-7836	1	Bracket-Hanger, Right Rear	16	3231-28	1	Screw-CARR
3	108-7838	1	Bracket-Hanger, Left Rear	19	108-7895	1	Deflector-50 Inch
4	3231-2	3	Screw-CARR	20	110-6694	1	Spring-Torsion
5	112-3980	1	Eccentric	21	112-3950	1	Rod-Pivot
6	80-6990	3	Washer-Hardened	22	3296-39	8	Nut-Lock, NI
7	95-2747	2	Fitting-Washout	23	1-603299	3	Roller-Scalp, Anti
8	46-6290	2	O-Ring, Seal	24	112-3977	3	Bolt-Shoulder
9	46-8560	4	Screw-HHF	25	32104-76	6	Screw
10	117-1223	1	Decal-50"	26	108-7890	2	Cover-Belt



50 Inch Deck and Decal Assembly No. 117-1291

<i>Ref.</i>	<i>Part Number</i>	<i>Qty.</i>	<i>Description</i>
2	114-1606	2	Decal-Danger, Pulley
3	93-7009	1	Decal-Danger, Deflector
4	110-6691	2	Decal-Danger
5	99-3943	1	Decal-Routing, Belt
6	3290-282	2	Rivet-Blind
7	322-2	1	Screw-HH
8	3230-23	1	Screw-CARR
9	104-8300	2	Nut-Flange, NI
10	112-9840	1	Decal-Scalp, Anti



50 Inch Deck Spindle and Blade Assembly

Ref.	Part Number	Qty.	Description
1	110-6892	1	V-Belt
2	323-9	2	Screw-HH
3	3256-24	3	Washer-Flat
4	106-2175	3	Pulley-Idler, Flat
5	3296-39	1	Nut-Lock, NI
6	114-8540	1	Arm-Idler
7	110-9981	2	Washer-Plain
8	114-0463	2	Washer-Friction, Composite
9	115-4986	1	Spacer
10	323-8	1	Screw-HH
11	3219-6	3	Nut-Hex
12	110-6865	3	Pulley
13	32144-41	12	Screw-Taptite
14	26-0671	3	Screw-HH

Ref.	Part Number	Qty.	Description
15	3290-465	3	Washer-Belleville
16	106-2248-03	3	Stiffener-Blade
17	110-6837-03	3	Blade-17.5 Inch, High Lift
19	80-4360	3	Shield-Bearing
20	80-4380	3	Spacer
21	117-1192	3	Shaft-Spindle
22		3	Spindle ASM ●
22:1	88-4510	1	Housing-Spindle
22:2	100-1048	2	Bearing-Ball
22:3	62-3661	1	Spacer
23	112-3973	1	Hook-Return, Spring
24	1-603414	1	Spring-Extension
26	323-10	1	Screw-HH

● Not serviced separately

Attachments and Accessories

For 74375 TimeCutter Z5060 Riding Mower

Product Name	Model/Part
Hour Meter Kit.....	112-9763
Deck Ring Kit.....	114-1608
Striping Kit.....	114-8545
Replacement Blade Kit (3 Blades).....	79221
50 Inch Recycler Kit.....	79312
Engine Cover Kit.....	79314
Floor Mat Kit.....	79315
Storage Cover.....	79317
Rear Hitch Kit.....	79318
Sunshade.....	79319
42 Inch and 50 Inch Twin Bagger.....	79324
10 cu. ft. Poly Dump Cart.....	79991

Notes:

Notes:

Notes:



Count on it.