



Count on it.

Parts Catalog

22in Recycler® Lawn Mower

Model No. 20350—Serial No. 31000001 and Up

Ordering Replacement Parts

To order replacement parts, please supply the part number, the quantity, and the description of each part desired.

Understanding Reference Numbers

Each identified part in an illustration has a reference number. The reference number for a part also appears in the parts list, along with other information about the part.

This catalog uses two special reference number formats, one to indicate parts in a service assembly and another to indicate the quantity of a given part in an illustration.

Service Assembly Reference Numbers

Parts in service assemblies have reference numbers in the form a:b. The a represents the reference number of the entire service assembly and the b represents a sequential number unique to each part within the service assembly.

For example, a wheel assembly might be identified by reference number 6, the tire by 6:1, the valve by 6:2, and the wheel by 6:3. When you order the assembly identified by reference number 6, you receive all parts identified by reference numbers 6:1, 6:2, and 6:3. However, you may also order any part individually. Reference numbers of this type appear in illustration and in parts lists.

Reference Numbers Indicating Quantity

In an illustration, if a reference number indicates more than one part, the reference number has the form nX y. The n represents the quantity of the part, the X is the multiplication symbol, and the y represents the reference number.

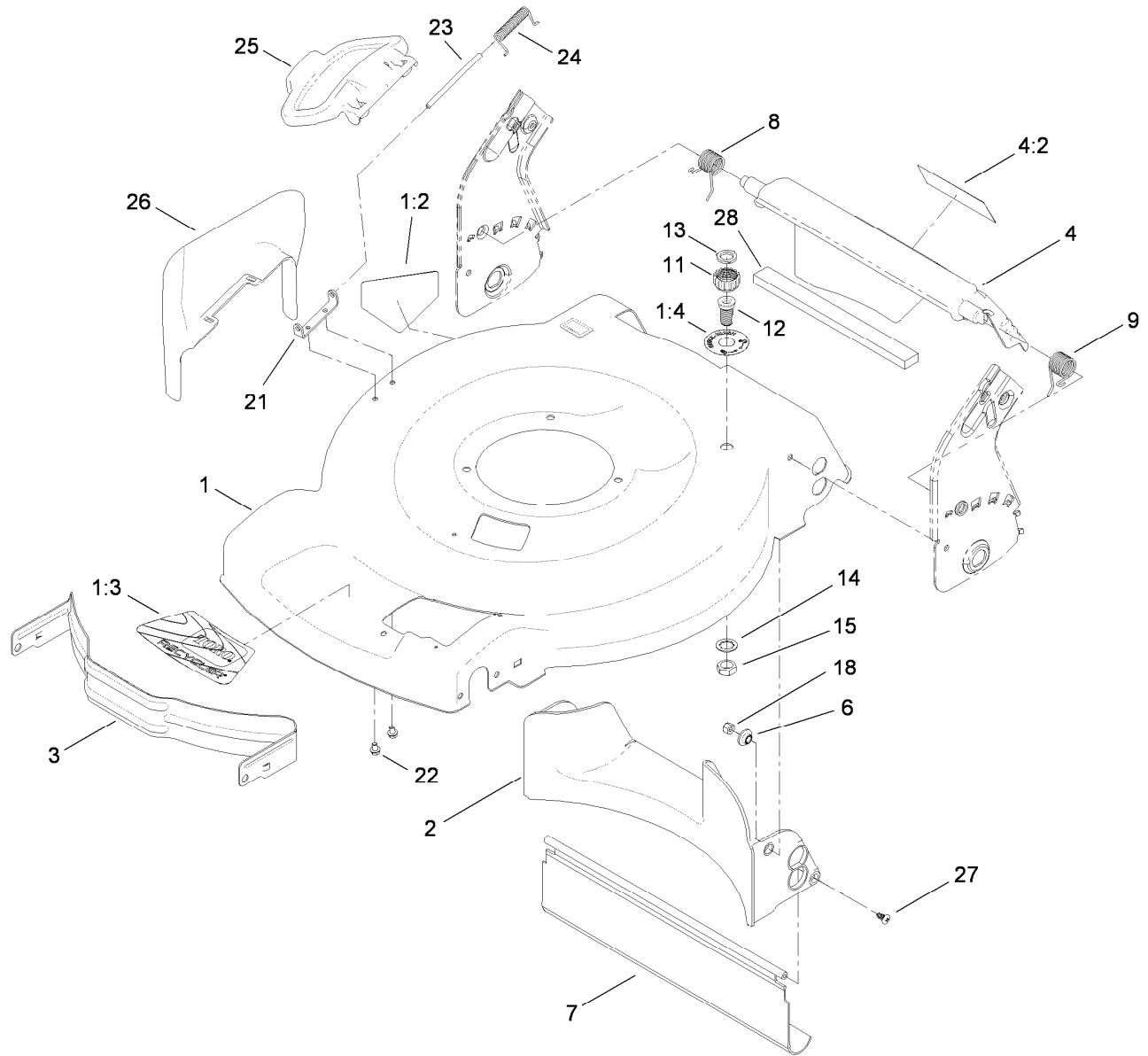
For example, in an illustration, the reference number 2X 37 means that two of the parts identified by reference number 37 are indicated.

List of Abbreviations

| | | |
|--|--|--------------------------------------|
| AR: as required | HSBH: hex socket button head | SFH: slotted fillister head |
| ASM: assembly | HSFH: hex socket flat head | SHH: slotted hex head |
| BBC: blade brake clutch | HSH: hex socket head | SHWH: slotted hex washer head |
| CARR: carriage | HWH: hex washer head | SPH: slotted pan head |
| CCW: counter clock wise | HWTF: hex washer head thread forming | SQH: square head |
| CW: clockwise | HYD: hydraulic | SRH: slotted round head |
| DEG: degrees | LH: left hand | STD: standard |
| ECM: electronic control module | NI: nylon insert | TAP: self tapping |
| EXT: external | NPTF: national pipe thread fine | TTH: torx truss head |
| FH: flat head | PFH: phillips flat head | |
| GA: gauge | PPH: phillips pan head | |
| HD: heavy-duty | PPHTF: phillips pan head thread forming | |
| HF: hex flange | PRH: phillips round head | |
| HH: hex head | PTH: phillips truss head | |
| HHF: hex head flange | PTO: power-take-off | |
| HHFTF: hex head flange thread forming | RH: right hand | |
| HJ: hex jam | ROPS: roll-over protection system | |
| HLH: hex lag head | RRB: rear roller brush | |
| HOC: height-of-cut | | |

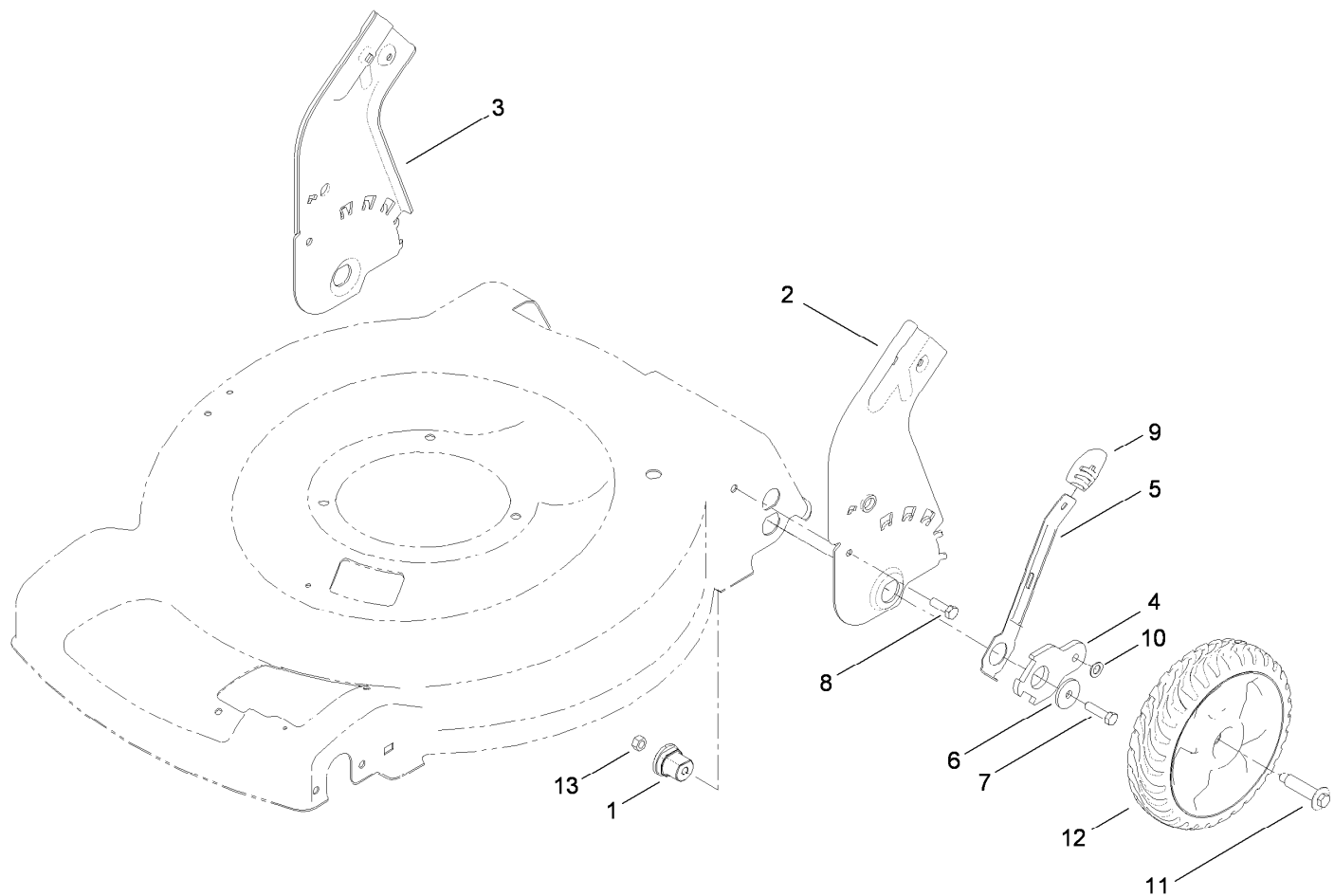
Contents

- Housing Assembly 4
- Rear Wheel and Height-of-Cut Assembly 5
- Transmission, Front Wheel and Height-of-Cut Assembly 6
- Engine and Blade Assembly 7
- Handle Assembly 8
- Rear Bag Assembly 9
- Attachments and Accessories 10



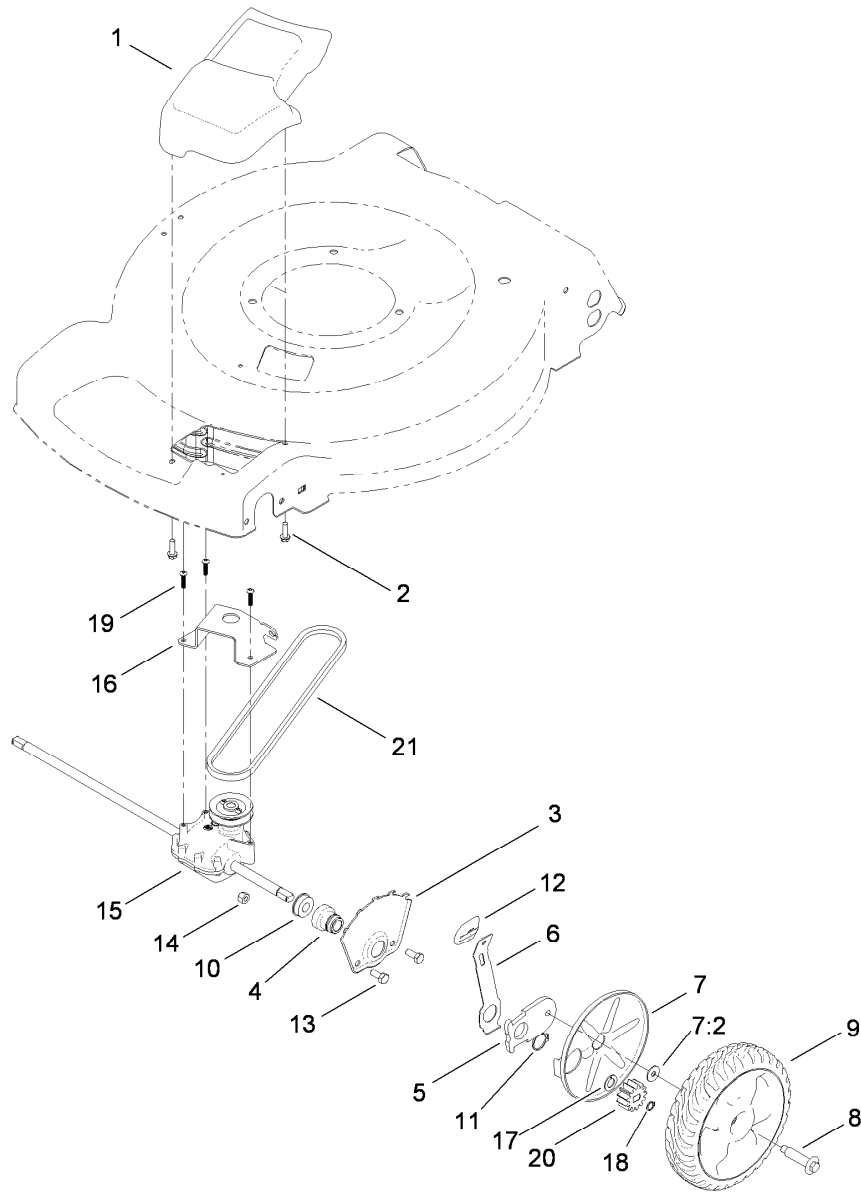
Housing Assembly

| <i>Ref.</i> | <i>Part Number</i> | <i>Qty.</i> | <i>Description</i> | <i>Ref.</i> | <i>Part Number</i> | <i>Qty.</i> | <i>Description</i> |
|-------------|--------------------|-------------|-----------------------------|-------------|--------------------|-------------|---------------------------|
| 1 | 117-1085 | 1 | Housing ASM | 12 | 112-6400 | 1 | Port-Washout |
| 1:2 | 94-8072 | 1 | Decal-Danger | 13 | 112-6438 | 1 | Washer-Seal, Washout Port |
| 1:3 | 115-4678 | 1 | Decal-Recycler | 14 | 3254-5 | 1 | Washer-Tooth |
| 1:4 | 112-8867 | 1 | Decal-Port, Washout | 15 | 3218-6 | 1 | Nut-Jam |
| 2 | 115-1307 | 1 | Baffle-Rear | 18 | 3296-29 | 2 | Nut-Lock, NI |
| 3 | 114-7963-01 | 1 | Baffle-Front | 21 | 112-6416 | 1 | Bracket-Cover |
| 4 | 117-4199 | 1 | Rear Deflector ASM | 22 | 99-8445 | 2 | Screw-HWH |
| 4:2 | 114-7982 | 1 | Decal-Warning | 23 | 99-5291 | 1 | Rod-Cover |
| 6 | 117-5991 | 2 | Washer-Stepped, Baffle | 24 | 99-5293 | 1 | Spring-Torsion |
| 7 | 115-8420 | 1 | Shield-Trailing | 25 | 115-8449 | 1 | Deflector-Side |
| 8 | 114-7924 | 1 | Spring-Torsion | 26 | 115-8447 | 1 | Chute-Discharge, Side |
| 9 | 115-2859 | 1 | Spring-Torsion | 27 | 117-1092 | 2 | Screw-PTH |
| 11 | 112-6401 | 1 | Coupling-Hose, Washout Port | 28 | 117-5924 | 1 | Foam-Seal |



Rear Wheel and Height-of-Cut Assembly

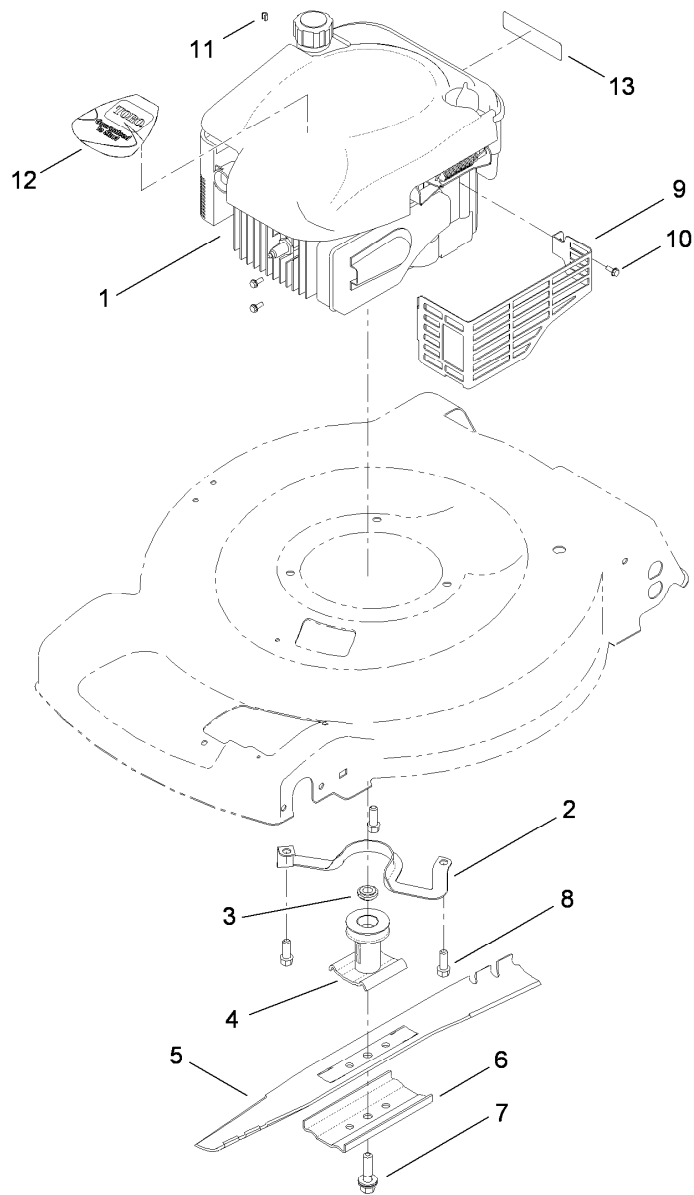
| Ref. | Part Number | Qty. | Description |
|------|-------------|------|--------------------------|
| 1 | 115-4651 | 2 | Bushing-Mount, HOC |
| 2 | 114-7998-03 | 1 | Plate-HOC, Rear LH |
| 3 | 114-7999-03 | 1 | Plate-HOC, Rear RH |
| 4 | 114-7997 | 2 | Arm-Pivot, Rear |
| 5 | 115-2899 | 2 | Arm-Spring, 11 Inch Rear |
| 6 | 105-3048 | 2 | Washer-Flat |
| 7 | 322-7 | 2 | Screw-HH |
| 8 | 322-5 | 2 | Screw-HH |
| 9 | 105-3042 | 2 | Knob-Lever, HOC |
| 10 | 40-1940 | 2 | Washer |
| 11 | 614650 | 2 | Bolt-Shoulder |
| 12 | 115-2877 | 2 | Wheel ASM |
| 13 | 3296-29 | 2 | Nut-Lock, NI |



Transmission, Front Wheel and Height-of-Cut Assembly

| Ref. | Part Number | Qty. | Description |
|------|-------------|------|-----------------------|
| 1 | 115-1305 | 1 | Cover-Belt |
| 2 | 46-8091 | 2 | Screw-HWH |
| 3 | 115-1956-03 | 2 | Plate-HOC, Front |
| 4 | 104-8698 | 2 | Retainer-Bearing, HOC |
| 5 | 105-1807 | 2 | Arm-Pivot, Front |
| 6 | 105-1809 | 2 | Arm-Spring |
| 7 | 110-1792 | 2 | Wheel Cover ASM |
| 7:2 | 614426 | 1 | Washer-Stepped |
| 8 | 614650 | 2 | Bolt-Shoulder |
| 9 | 115-2878 | 2 | Wheel ASM |
| 10 | 104-8699 | 2 | Bearing-Ball |

| Ref. | Part Number | Qty. | Description |
|------|-------------|------|----------------------|
| 11 | 32151-36 | 2 | Ring-Retaining |
| 12 | 105-3042 | 2 | Knob-Lever, HOC |
| 13 | 322-3 | 4 | Screw-HH |
| 14 | 3296-29 | 4 | Nut-Lock, NI |
| 15 | 115-1992 | 1 | Transmission |
| 16 | 114-7978-03 | 1 | Bracket-Transmission |
| 17 | 110-7191 | 2 | Washer-Thrust |
| 18 | 32151-61 | 2 | Ring-Retaining |
| 19 | 108-7476 | 3 | Screw-Plastite |
| 20 | 115-4665 | 2 | Gear-Pinion, 13T |
| 21 | 117-1018 | 1 | V-Belt |

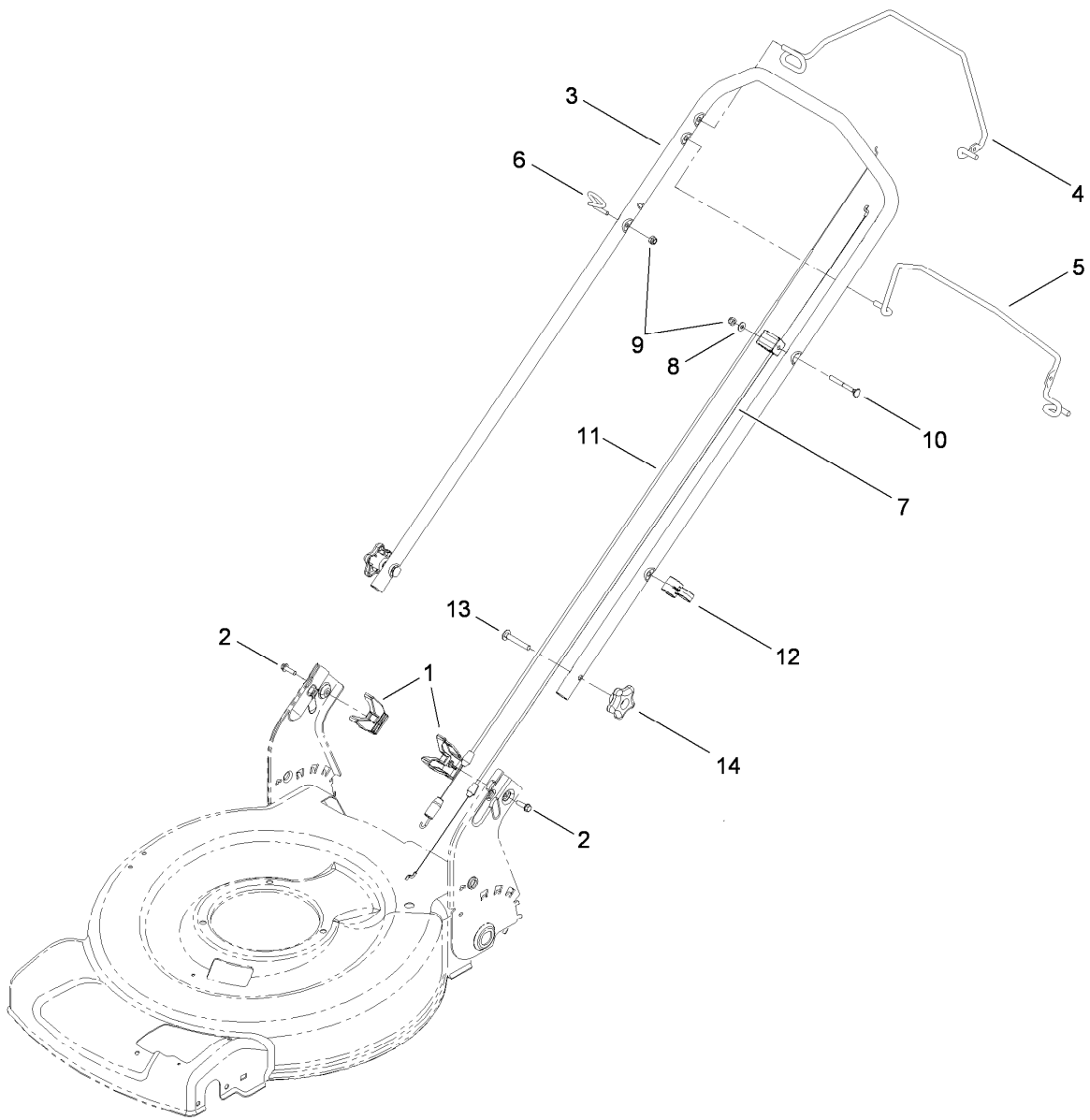


Engine and Blade Assembly

| Ref. | Part Number | Qty. | Description |
|------|-------------|------|----------------------------------|
| 1 | | 1 | Engine-Briggs, 126L02-3126-F1 ●■ |
| 2 | 105-3031-03 | 1 | Guide-Belt |
| 3 | 106-3999 | 1 | Spacer-Driver |
| 4 | 106-3987 | 1 | Blade Driver ASM |
| 5 | 108-9764-03 | 1 | Blade-22 Inch |
| 6 | 108-3766-03 | 1 | Support-Blade |
| 7 | 105-8579 | 1 | Bolt-Blade |
| 8 | 95-1726 | 3 | Screw-Taptite |
| 9 | 104-7577-03 | 1 | Shield-Muffer |
| 10 | 32144-1 | 3 | Screw-Taptite |
| 11 | 2210-316 | 1 | Stop-Rope |
| 12 | 117-1017 | 1 | Decal |
| 13 | 117-2718 | 1 | Decal-Arrester, Spark |

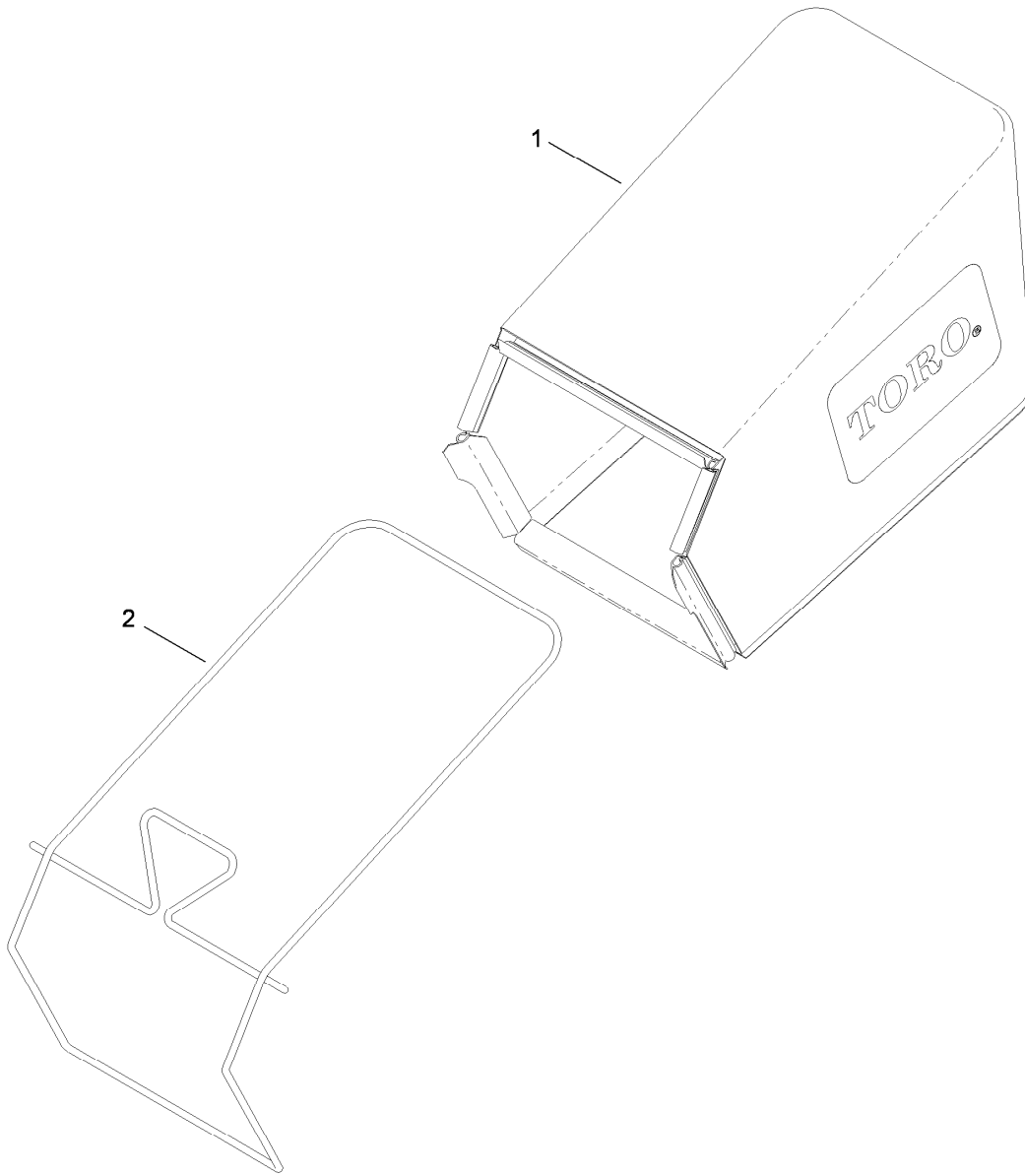
● Not serviced separately

■ Obtain parts from www.briggsandstratton.com



Handle Assembly

| Ref. | Part Number | Qty. | Description |
|-------------|--------------------|-------------|----------------------|
| 1 | 115-2866 | 2 | Anchor-Bag |
| 2 | 46-8091 | 2 | Screw-HWH |
| 3 | 115-2872-05 | 1 | Handle-Contour |
| 4 | 108-9790-03 | 1 | Bail-Traction |
| 5 | 115-4561-03 | 1 | Bail-Brake |
| 6 | 86-9671 | 1 | Guide-Rope |
| 7 | 115-4579 | 1 | Cable-Brake, 2 Bail |
| 8 | 3256-1 | 1 | Washer-Flat |
| 9 | 3296-73 | 2 | Nut-Lock, NI |
| 10 | 92-2270 | 1 | Screw-Handle |
| 11 | 115-8436 | 1 | Cable-Traction |
| 12 | 114-7988 | 1 | Guide-Cable |
| 13 | 3230-6 | 2 | Screw-CARR |
| 14 | 117-5976 | 2 | Knob-Handle, Locking |



Rear Bag Assembly

| <i>Ref.</i> | <i>Part Number</i> | <i>Qty.</i> | <i>Description</i> |
|-------------|--------------------|-------------|--------------------|
| 1 | 115-4664 | 1 | Grass Bag ASM |
| 2 | 114-2639-03 | 1 | Bag Frame ASM |

Attachments and Accessories

For 20350 22in Recycler Lawn Mower

| Product Name | Model/Part |
|---------------------------|-------------------|
| Loose Parts Kit | 117-4122 |
| Replacement Bag | 59305 |
| Replacement Bag Kit | 59307 |
| 22 Inch Blade Kit..... | 59534 |

Notes:



Count on it.