



Count on it.

Parts Catalog

22in Recycler[®] Lawn Mower

Model No. 20351—Serial No. 31000001 and Up

Ordering Replacement Parts

To order replacement parts, please supply the part number, the quantity, and the description of each part desired.

Understanding Reference Numbers

Each identified part in an illustration has a reference number. The reference number for a part also appears in the parts list, along with other information about the part.

This catalog uses two special reference number formats, one to indicate parts in a service assembly and another to indicate the quantity of a given part in an illustration.

Service Assembly Reference Numbers

Parts in service assemblies have reference numbers in the form a:b. The a represents the reference number of the entire service assembly and the b represents a sequential number unique to each part within the service assembly.

For example, a wheel assembly might be identified by reference number 6, the tire by 6:1, the valve by 6:2, and the wheel by 6:3. When you order the assembly identified by reference number 6, you receive all parts identified by reference numbers 6:1, 6:2, and 6:3. However, you may also order any part individually. Reference numbers of this type appear in illustration and in parts lists.

Reference Numbers Indicating Quantity

In an illustration, if a reference number indicates more than one part, the reference number has the form nX y. The n represents the quantity of the part, the X is the multiplication symbol, and the y represents the reference number.

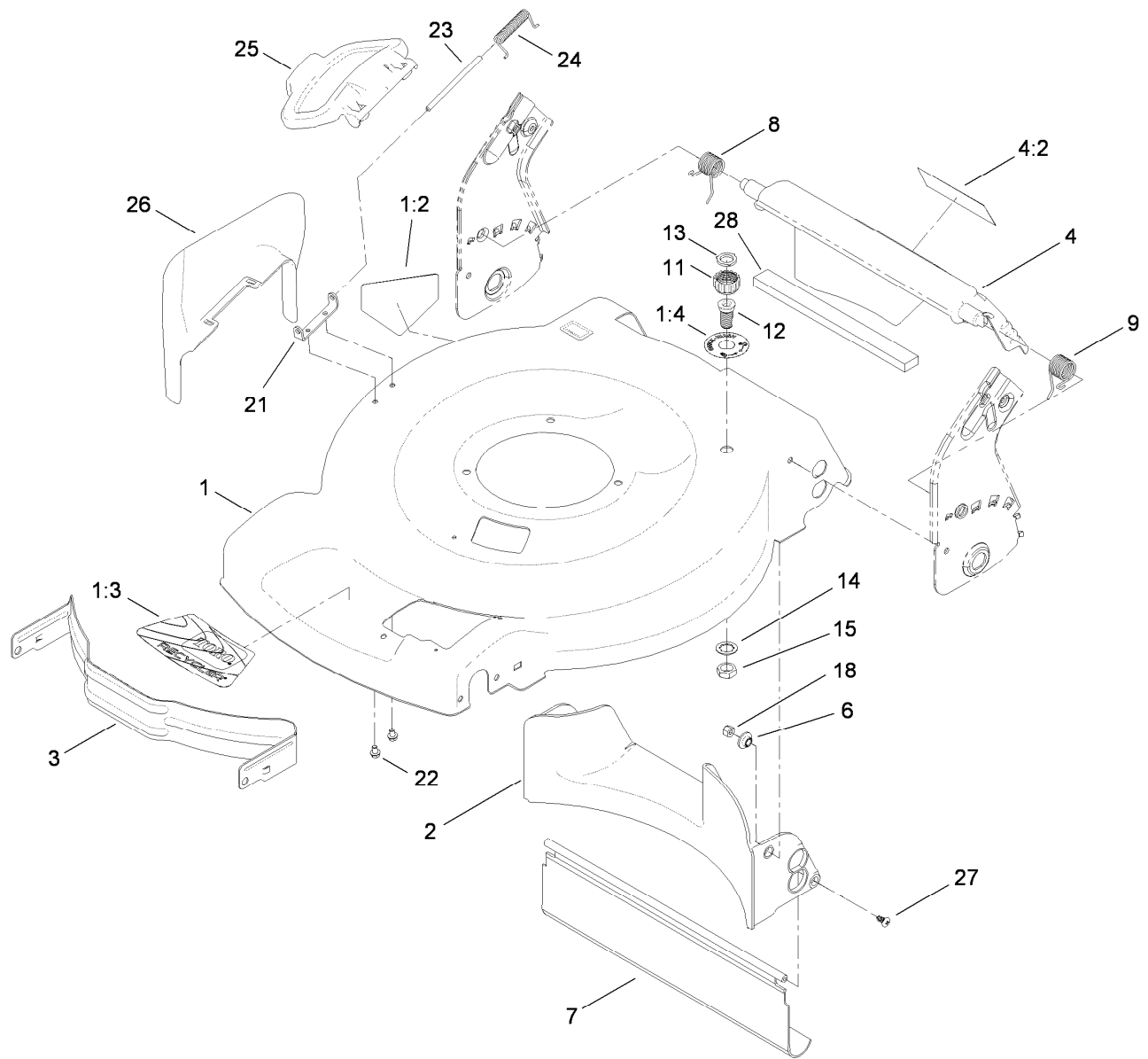
For example, in an illustration, the reference number 2X 37 means that two of the parts identified by reference number 37 are indicated.

List of Abbreviations

AR: as required	HSBH: hex socket button head	SFH: slotted fillister head
ASM: assembly	HSFH: hex socket flat head	SHH: slotted hex head
BBC: blade brake clutch	HSH: hex socket head	SHWH: slotted hex washer head
CARR: carriage	HWH: hex washer head	SPH: slotted pan head
CCW: counter clock wise	HWTF: hex washer head thread forming	SQH: square head
CW: clockwise	HYD: hydraulic	SRH: slotted round head
DEG: degrees	LH: left hand	STD: standard
ECM: electronic control module	NI: nylon insert	TAP: self tapping
EXT: external	NPTF: national pipe thread fine	TTH: torx truss head
FH: flat head	PFH: phillips flat head	
GA: gauge	PPH: phillips pan head	
HD: heavy-duty	PPHTF: phillips pan head thread forming	
HF: hex flange	PRH: phillips round head	
HH: hex head	PTH: phillips truss head	
HHF: hex head flange	PTO: power-take-off	
HHFTF: hex head flange thread forming	RH: right hand	
HJ: hex jam	ROPS: roll-over protection system	
HLH: hex lag head	RRB: rear roller brush	
HOC: height-of-cut		

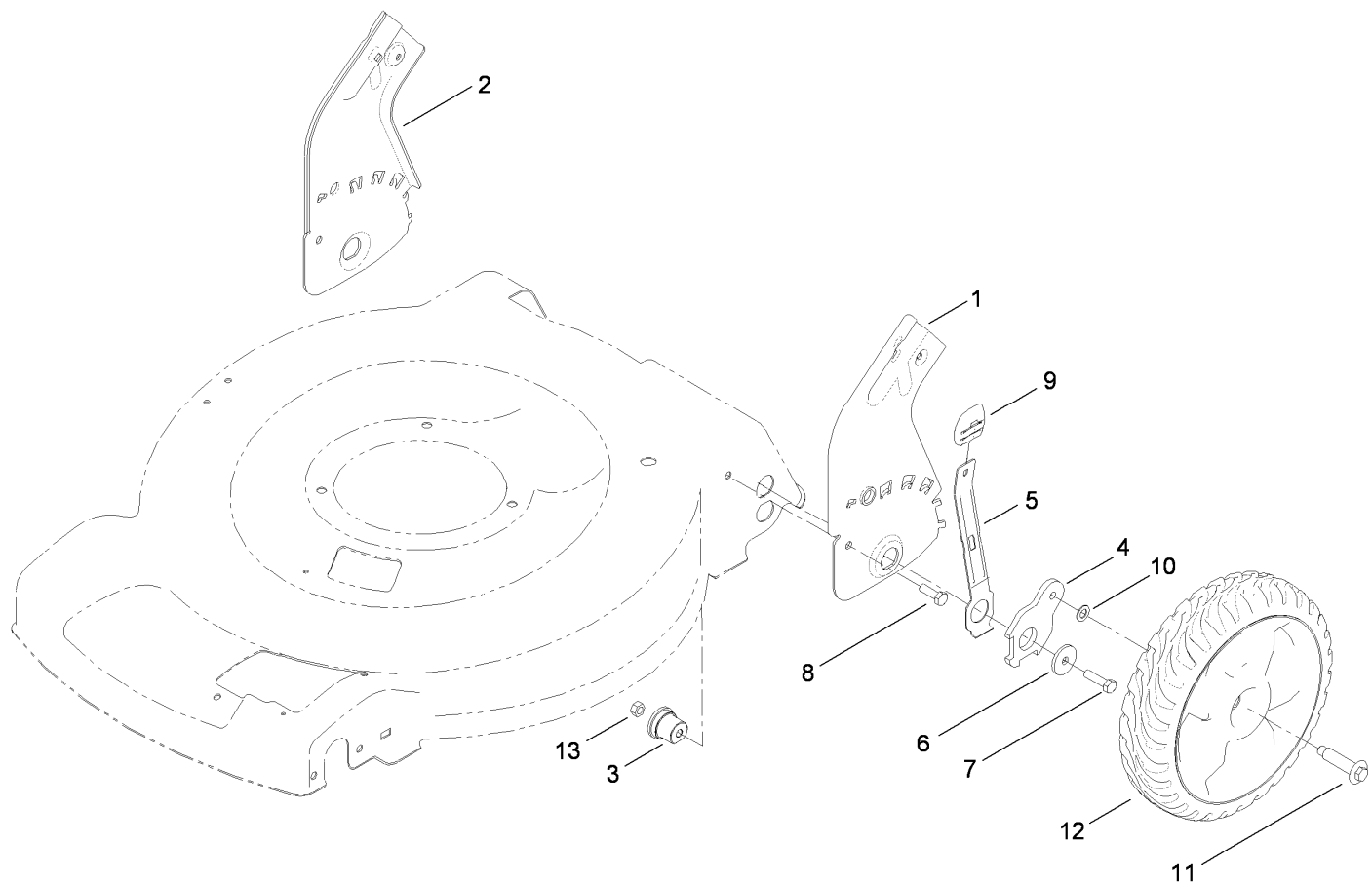
Contents

Housing Assembly	4
Rear Wheel and Height-of-Cut Assembly	5
Transmission, Front Wheel and Height-of-Cut Assembly	6
Engine and Blade Assembly	7
Handle Assembly	8
Rear Bag Assembly	9
Attachments and Accessories	10



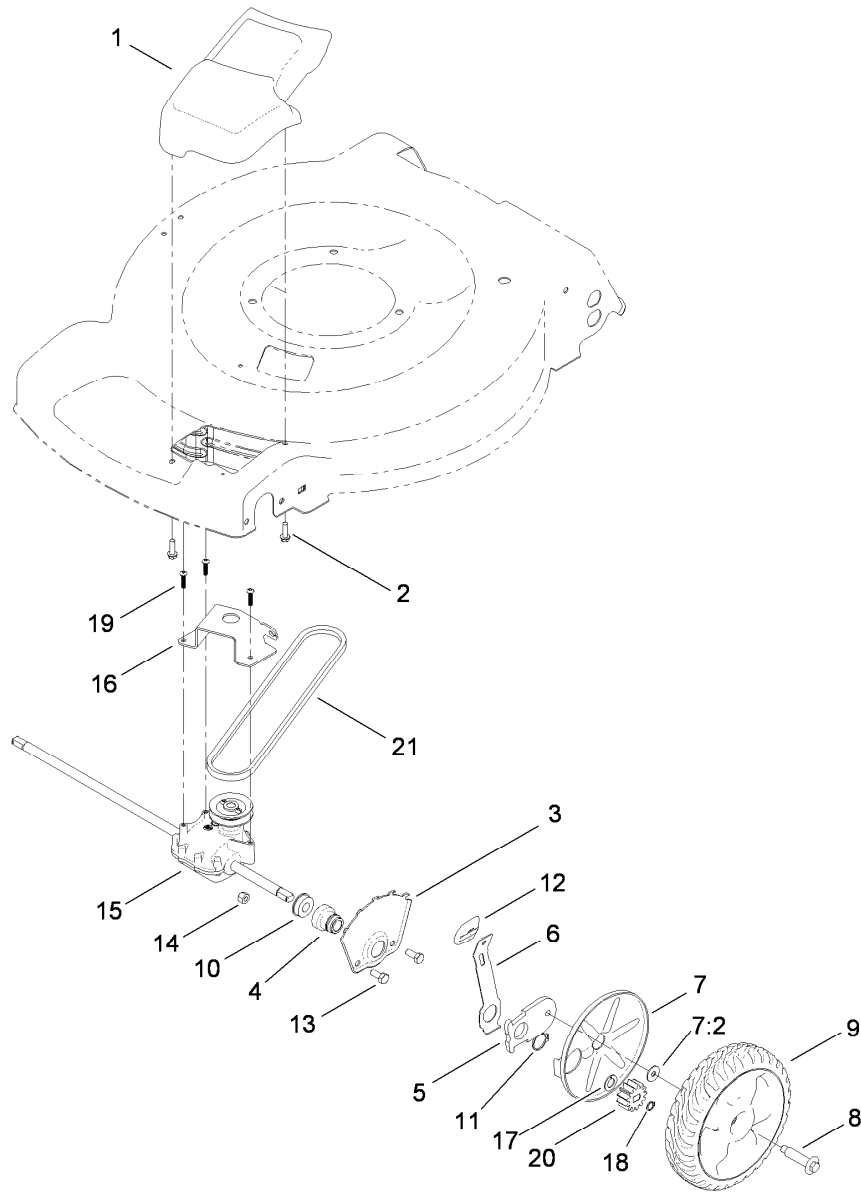
Housing Assembly

<i>Ref.</i>	<i>Part Number</i>	<i>Qty.</i>	<i>Description</i>	<i>Ref.</i>	<i>Part Number</i>	<i>Qty.</i>	<i>Description</i>
1	117-1085	1	Housing ASM	12	112-6400	1	Port-Washout
1:2	94-8072	1	Decal-Danger	13	112-6438	1	Washer-Seal, Washout Port
1:3	115-4678	1	Decal-Recycler	14	3254-5	1	Washer-Tooth
1:4	112-8867	1	Decal-Port, Washout	15	3218-6	1	Nut-Jam
2	115-1307	1	Baffle-Rear	18	3296-29	2	Nut-Lock, NI
3	114-7963-01	1	Baffle-Front	21	112-6416	1	Bracket-Cover
4	117-4199	1	Rear Deflector ASM	22	99-8445	2	Screw-HWH
4:2	114-7982	1	Decal-Warning	23	99-5291	1	Rod-Cover
6	117-5991	2	Washer-Stepped, Baffle	24	99-5293	1	Spring-Torsion
7	115-8420	1	Shield-Trailing	25	115-8449	1	Deflector-Side
8	114-7924	1	Spring-Torsion	26	115-8447	1	Chute-Discharge, Side
9	115-2859	1	Spring-Torsion	27	117-1092	2	Screw-PTH
11	112-6401	1	Coupling-Hose, Washout Port	28	117-5924	1	Foam-Seal



Rear Wheel and Height-of-Cut Assembly

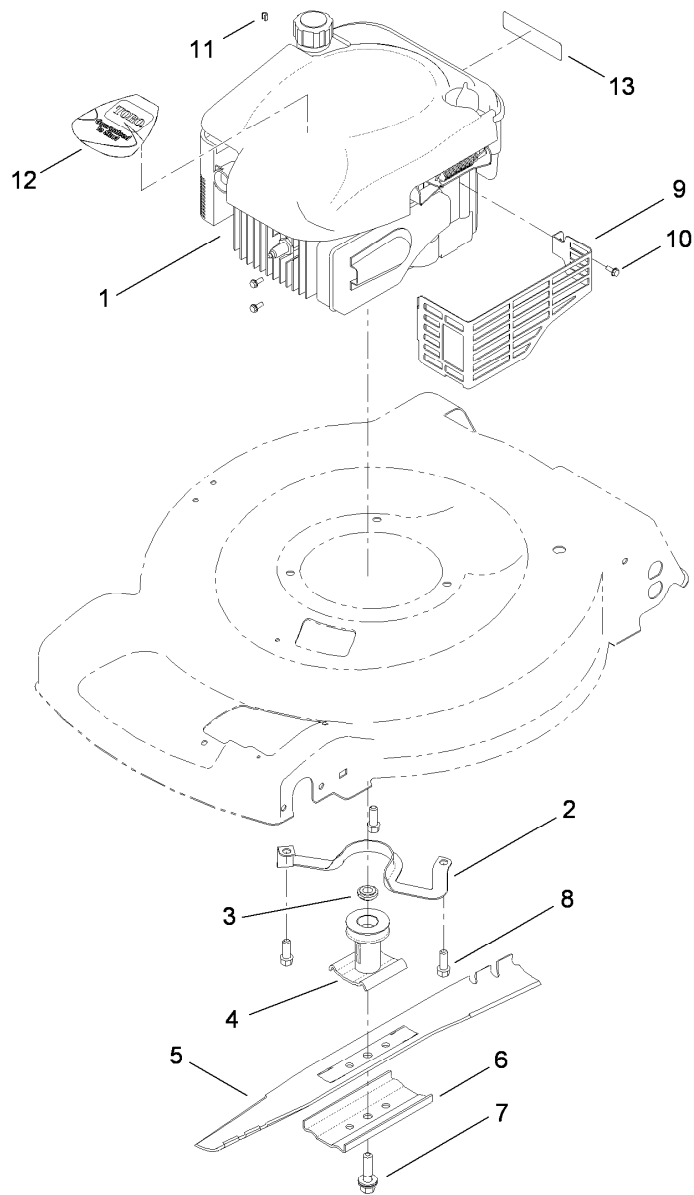
<i>Ref.</i>	<i>Part Number</i>	<i>Qty.</i>	<i>Description</i>
1	114-7993-03	1	Plate-HOC, Rear LH
2	114-7994-03	1	Plate-HOC, Rear RH
3	115-4651	2	Bushing-Mount, HOC
4	114-7997	2	Arm-Pivot, Rear
5	115-2899	2	Arm-Spring, 11 Inch Rear
6	105-3048	2	Washer-Flat
7	322-7	2	Screw-HH
8	322-5	2	Screw-HH
9	105-3042	2	Knob-Lever, HOC
10	40-1940	2	Washer
11	614650	2	Bolt-Shoulder
12	115-2882	2	Wheel ASM
13	3296-29	2	Nut-Lock, NI



Transmission, Front Wheel and Height-of-Cut Assembly

Ref.	Part Number	Qty.	Description
1	115-1305	1	Cover-Belt
2	46-8091	2	Screw-HWH
3	115-1956-03	2	Plate-HOC, Front
4	104-8698	2	Retainer-Bearing, HOC
5	105-1807	2	Arm-Pivot, Front
6	105-1809	2	Arm-Spring
7	110-1792	2	Wheel Cover ASM
7:2	614426	1	Washer-Stepped
8	614650	2	Bolt-Shoulder
9	115-2878	2	Wheel ASM
10	104-8699	2	Bearing-Ball

Ref.	Part Number	Qty.	Description
11	32151-36	2	Ring-Retaining
12	105-3042	2	Knob-Lever, HOC
13	322-3	4	Screw-HH
14	3296-29	4	Nut-Lock, NI
15	115-1992	1	Transmission
16	114-7978-03	1	Bracket-Transmission
17	110-7191	2	Washer-Thrust
18	32151-61	2	Ring-Retaining
19	108-7476	3	Screw-Plastite
20	115-4665	2	Gear-Pinion, 13T
21	117-1018	1	V-Belt

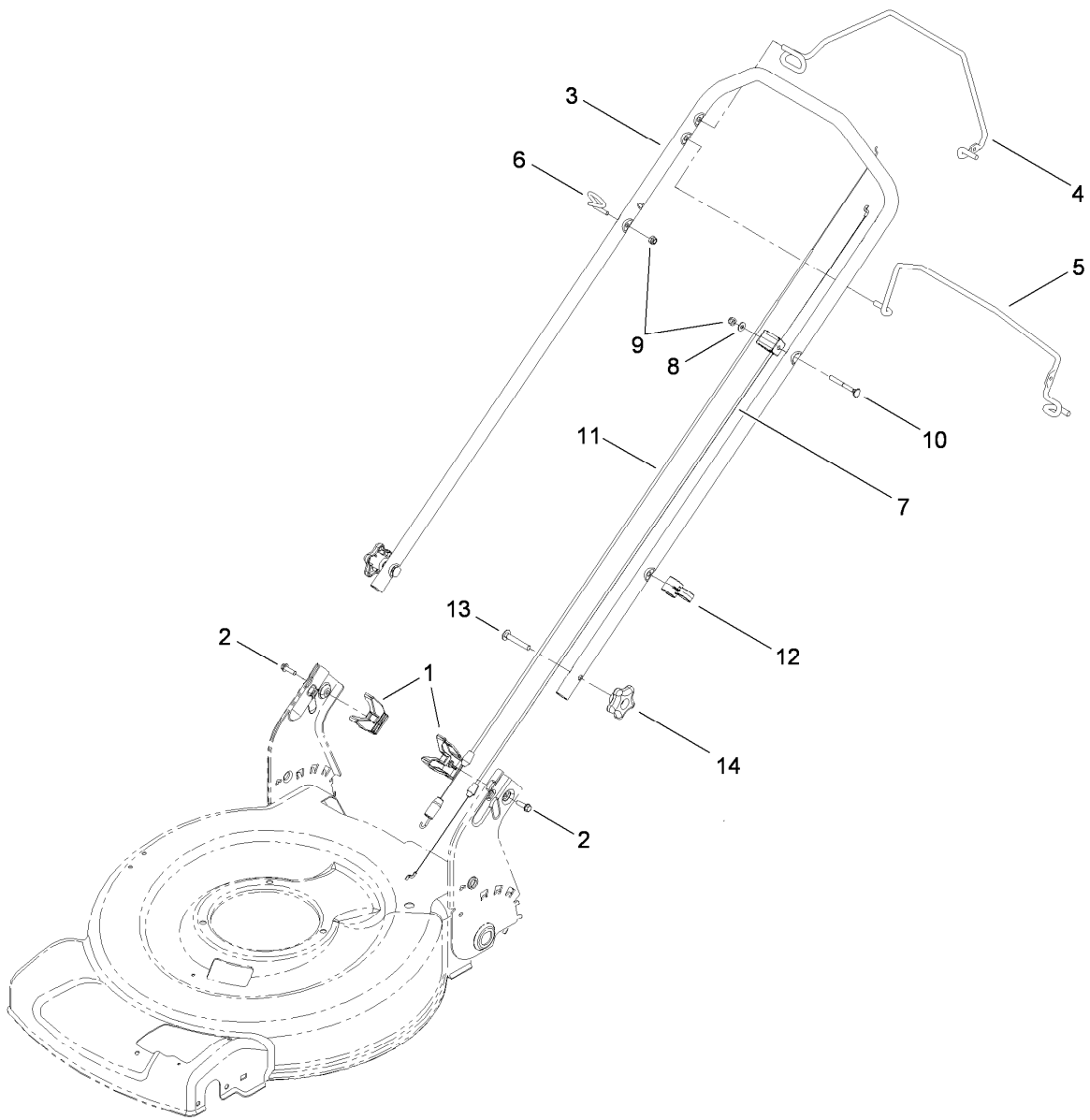


Engine and Blade Assembly

Ref.	Part Number	Qty.	Description
1		1	Engine-Briggs, 126L02-3126-F1 ●■
2	105-3031-03	1	Guide-Belt
3	106-3999	1	Spacer-Driver
4	106-3987	1	Blade Driver ASM
5	108-9764-03	1	Blade-22 Inch
6	108-3766-03	1	Support-Blade
7	105-8579	1	Bolt-Blade
8	95-1726	3	Screw-Taptite
9	104-7577-03	1	Shield-Muffler
10	32144-1	3	Screw-Taptite
11	2210-316	1	Stop-Rope
12	117-1017	1	Decal
13	117-2718	1	Decal-Arrester, Spark

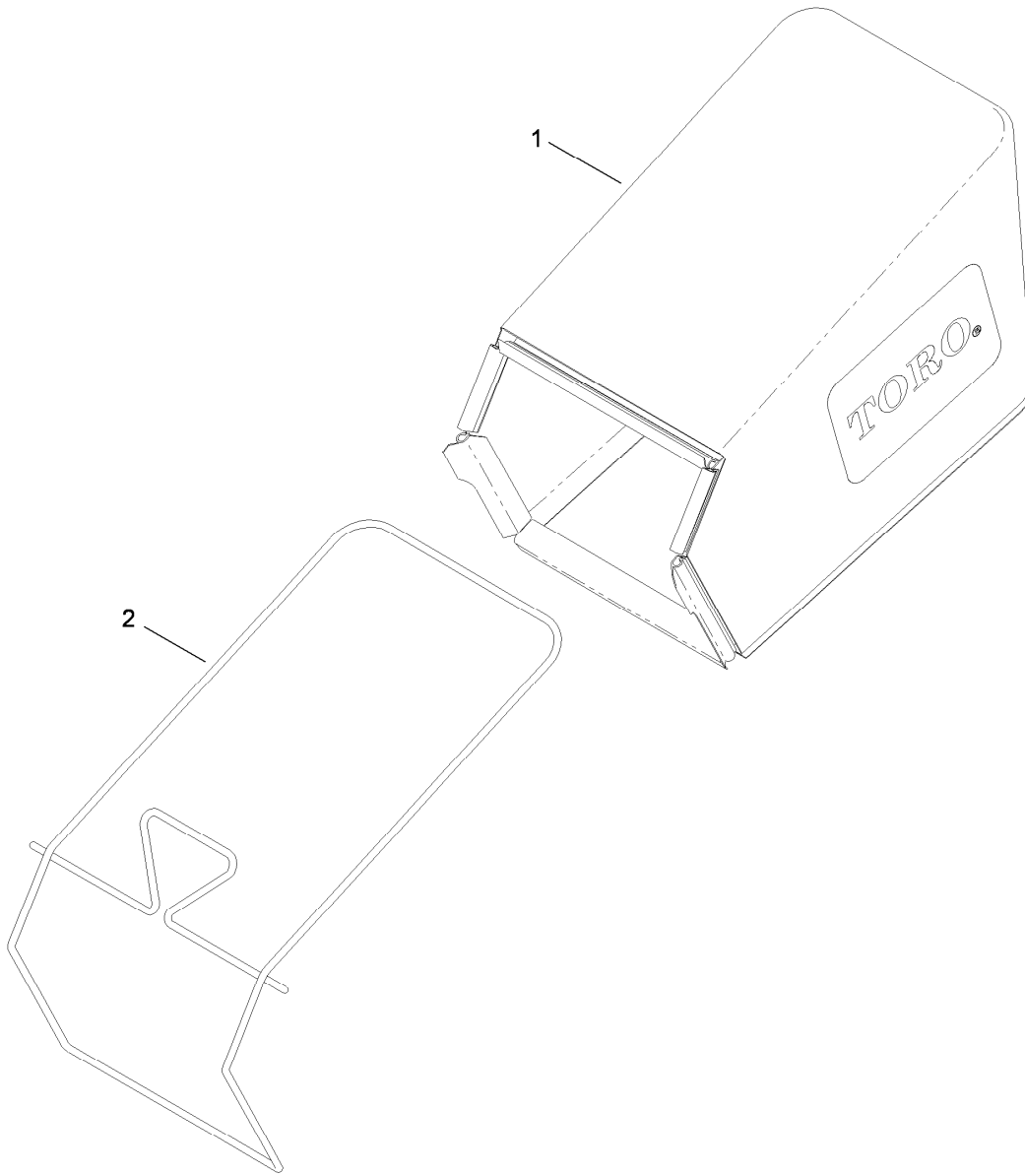
● Not serviced separately

■ Obtain parts from www.briggsandstratton.com



Handle Assembly

<i>Ref.</i>	<i>Part Number</i>	<i>Qty.</i>	<i>Description</i>
1	115-2866	2	Anchor-Bag
2	46-8091	2	Screw-HWH
3	115-2872-05	1	Handle-Contour
4	108-9790-03	1	Bail-Traction
5	115-4561-03	1	Bail-Brake
6	86-9671	1	Guide-Rope
7	115-4579	1	Cable-Brake, 2 Bail
8	3256-1	1	Washer-Flat
9	3296-73	2	Nut-Lock, NI
10	92-2270	1	Screw-Handle
11	115-8436	1	Cable-Traction
12	114-7988	1	Guide-Cable
13	3230-6	2	Screw-CARR
14	117-5976	2	Knob-Handle, Locking



Rear Bag Assembly

<i>Ref.</i>	<i>Part Number</i>	<i>Qty.</i>	<i>Description</i>
1	115-4664	1	Grass Bag ASM
2	114-2639-03	1	Bag Frame ASM

Attachments and Accessories

For 20351 22in Recycler Lawn Mower

Product Name	Model/Part
Loose Parts Kit	117-4122
Replacement Bag	59305
Replacement Bag Kit	59307
22 Inch Blade Kit.....	59534

Notes:



Count on it.