



2 – Post ROPS Extension

Model No. 117-9430 Installation Instructions

This 2-Post ROPS Extension is intended to be used on the following TORO product:

Groundsmaster Series[®]

5900



⚠ CAUTION: Read and follow all safety statements and assembly instruction, before attempting to mount or operate vehicle with sunshade installed.

⚠ CAUTION: The resulting noise levels when using this product will exceed OSHA standards for an 8-hour work day and hearing protection with a Noise Reduction Rating (NRR) of 22 or higher is required.

⚠ CAUTION: This unit is heavy, and should be mounted with a minimum of two personnel and a hoist.

⚠ INSTALLER: Leave these instructions with end user. If Manual is lost or damaged, please contact your Toro dealer/distributor for replacement.

⚠ END USER: Keep this manual for future reference.

This 2-Post ROPS Extension is manufactured for TORO by Jodale Perry Corporation

Table of Contents

1. Safety instructions.....	3
2. Safety labels and location.....	5
3. Vehicle preparation.....	6
4. Mounting instructions.....	8
5. To the Purchaser.....	14
6. Warranty statement.....	15

SAFETY INSTRUCTIONS

BEFORE OPERATING

- Read and understand the contents of this material before operating the vehicle. Become thoroughly familiar with the controls, capabilities and proper use of equipment.
- **DO NOT** weld, cut, drill, or modify 2-Post ROPS Extension structure in any manner.
- **DO NOT** allow children to operate vehicle. Do not allow adults to operate with out proper training.
- Keep all shields and safety devices in place. If a safety device, shield, or decal malfunctions, becomes damaged or illegible replace it before operating is recommended. To assure vehicle is in safe operating condition, tighten any loose nuts, bolts, and screws.

SAFETY INSTRUCTIONS

While operating

- Verify capacity rating for the vehicle. Make sure that the GVW capacities are not exceeded.
- Avoid sudden stops or sharp turns.
- Always use safety belts.
- Never allow riders on top of 2-Post ROPS Extension while operating vehicle.
- Stay alert for hidden hazards and traffic.
- Avoid sudden starts and excessive speeds.
- Use extreme care when working around fences, ditches or on hillsides.
- Check clearances carefully before driving under any objects.
- Avoid operating sideways on a steep slope whenever possible.
- Wait for vehicle to come to a full stop and engage parking brake before leaving vehicle.
- Wear hearing protection during operation

Maintenance

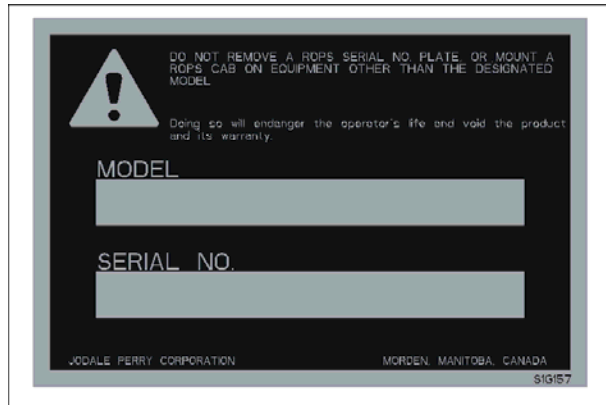
- To ensure 2-Post ROPS Extension is in safe operating condition, keep all fasteners tight.
- Replace a damaged 2-Post ROPS Extension. Do not repair or revise. Any alterations to a 2-Post ROPS Extension must be approved by the manufacturer.
- To be sure of optimum performance and safety, always purchase genuine TORO replacement parts and accessories. Replacement parts and accessories not made by a TORO approved manufacturer could be dangerous. Such use could void warranty of the TORO COMPANY.
- Thoroughly inspect 2-Post ROPS Extension and 2-Post ROPS Extension mounting periodically.

Replace decals immediately if damaged or missing.



Toro Part No: 98-4387
Located on front middle cross member

- **Warning – wear hearing protection.**

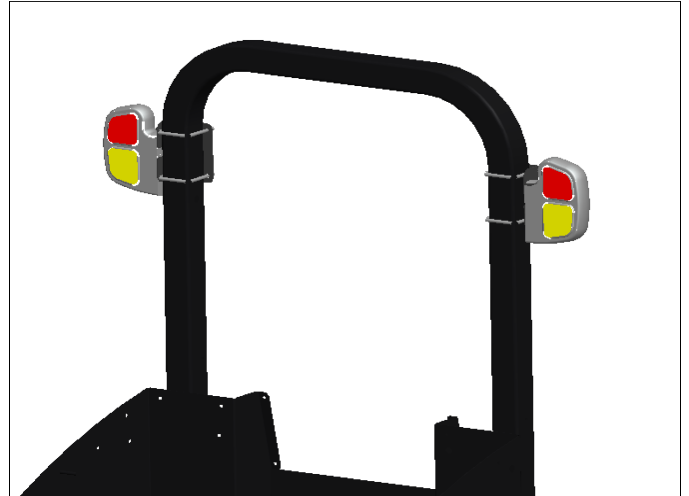


Part No: SIG157, JDP P/N: 101078
Located on left rear door post

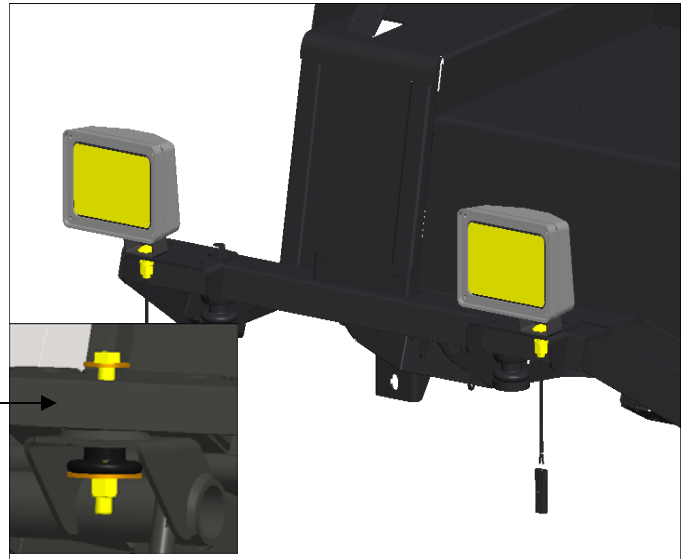
Supplied by Jodale Perry Corporation only

VEHICLE PREPARATION

1. Remove the right and left flashers and the mounting hardware. Retain the flashers and M8 screws.



2. Remove the headlight brackets and headlights. Retain headlights and mounting hardware. (Retain bolts, washers, nuts for re-installation)



3. Drill out existing rivets (2xLeft & 2xRight) on the 2-Post. Retain vent tubes and tube clamps.

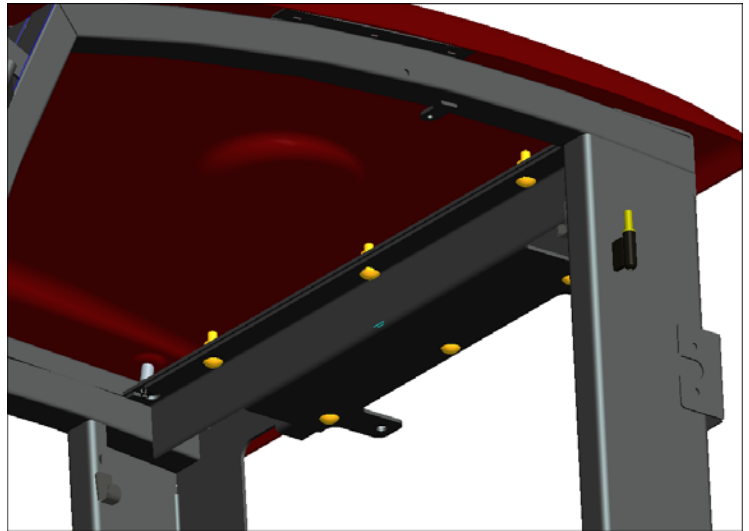
VEHICLE PREPARATION

4. Protect steering column cover during assembly.

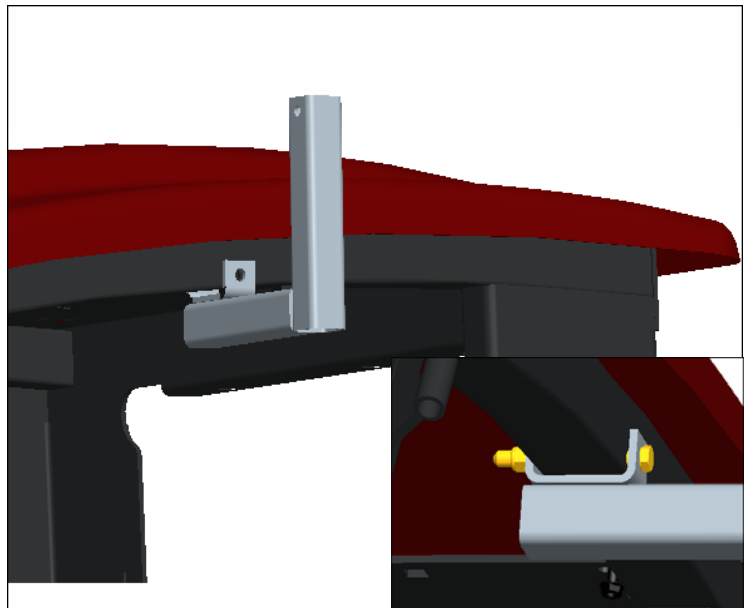


INSTALLATION INSTRUCTIONS

1. Remove plate mounted to rear upper plate of the 2-Post ROPS Extension. Keep fasteners (6 x bolt, carriage, M12 x 40 x 1.75 and 6 x nut, flange, M12) for re-installation.



2. Install lift brackets to upper door cross tube using 3/8" X 3.0" long bolt (Qty=2) and nut (Qty=2) into 0.375" diameter hole provided as shown. Lift 2-Post ROPS Extension up to support and then remove the shipping bracket, pallet and support bars.

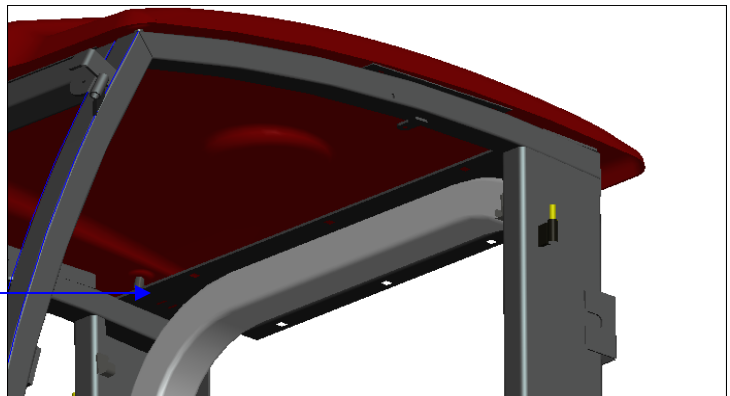


INSTALLATION INSTRUCTIONS

4. Remove the shipping bracket and the support bars.

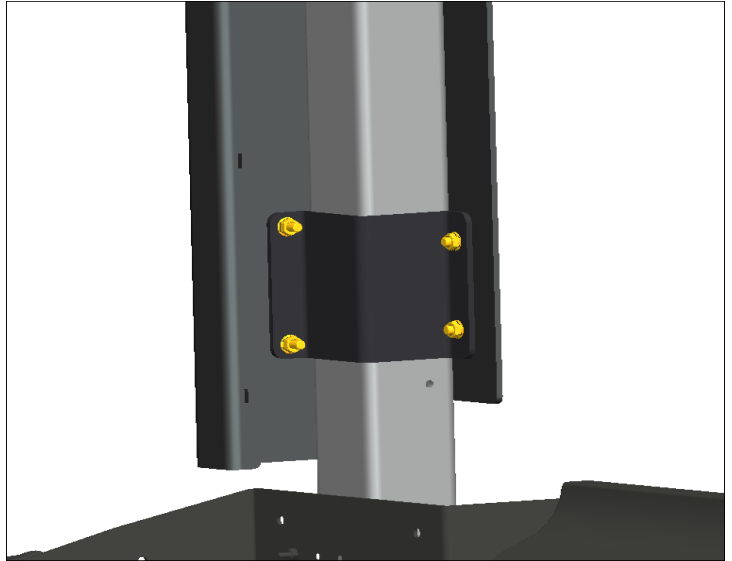


5. Lift the 2-Post ROPS Extension up and bring it over to the 2-Post ROPS. Slowly slide down till the rear Extension plate sits on top of the 2 Post ROPS.

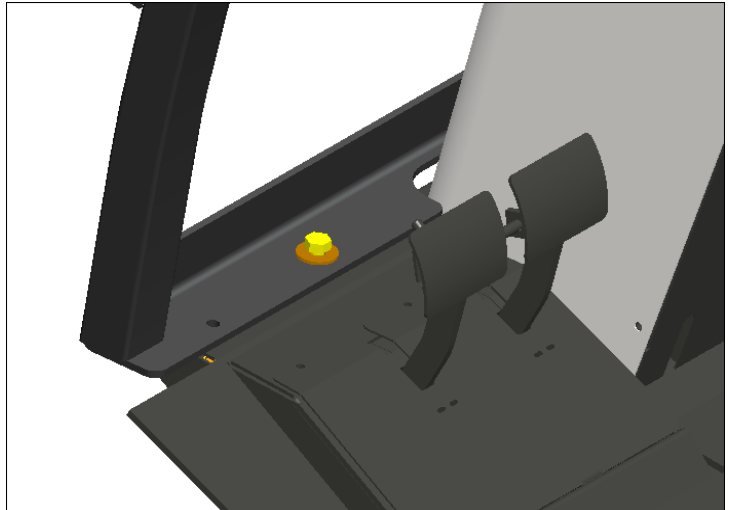


INSTALLATION INSTRUCTIONS

6. Install LH and RH support plates to the 2-Post Extension. Use bolt, carriage 5/16" x 1-1/2", YD (included in parts box). Finger tighten with the bolts and nuts.



7. Align the front holes and install the bolts, washers and nuts you removed before (LH and RH Side). Finger tighten the bolts and nuts.



8. Install plate removed from the 2-Post ROPS Extension by using the same bolts and nuts.



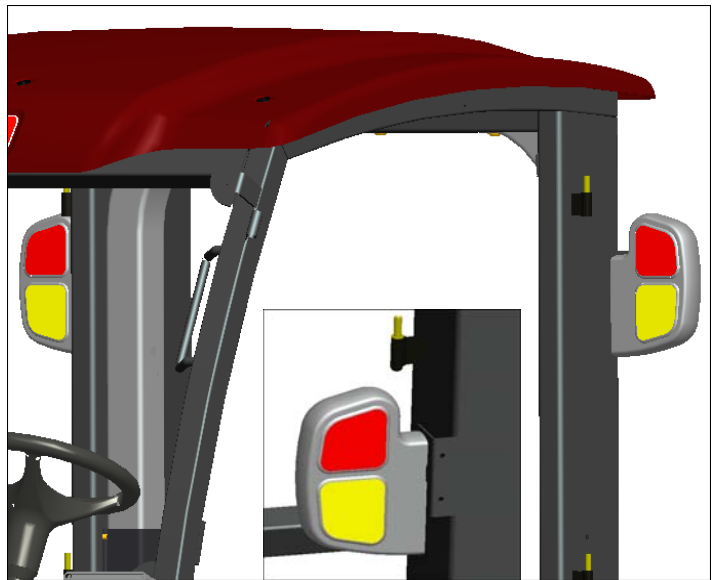
9. When all bolts are finger tight and everything aligns, torque the bolts from step 7 (135 – 165 ft-lbs) and then tighten the bolts from steps 6 and 8.

INSTALLATION INSTRUCTIONS

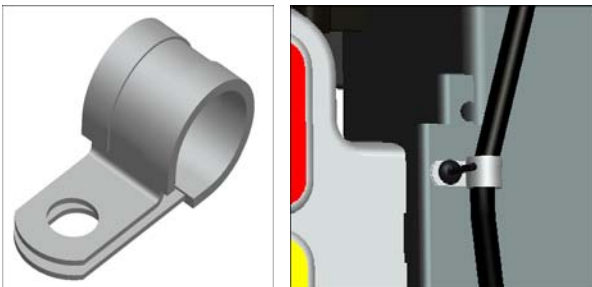
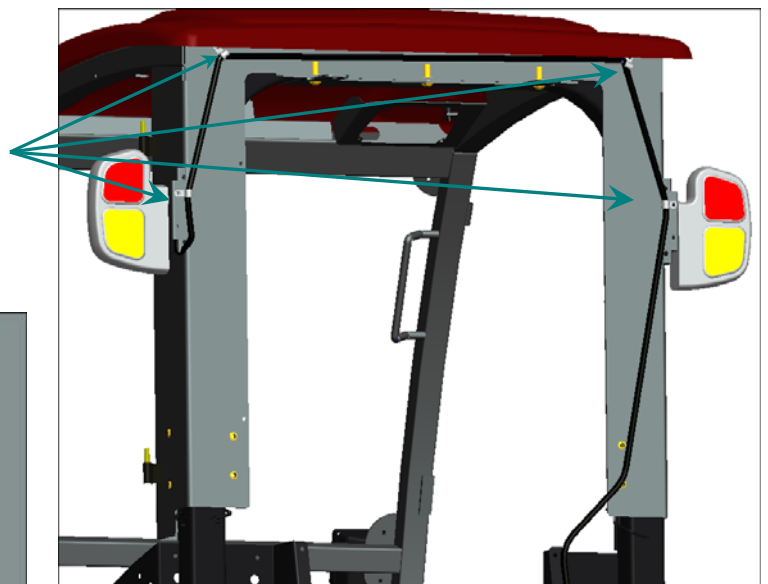
10. Install headlights on the 2-Post ROPS Extension headlight brackets (LH and RH Side, welded to 2-Post ROPS Extension). Hardware retained from step 2.



11. Install flashers (LH and RH Side) on provided flasher brackets (welded to 2-Post ROPS Extension). Use retained hardware.

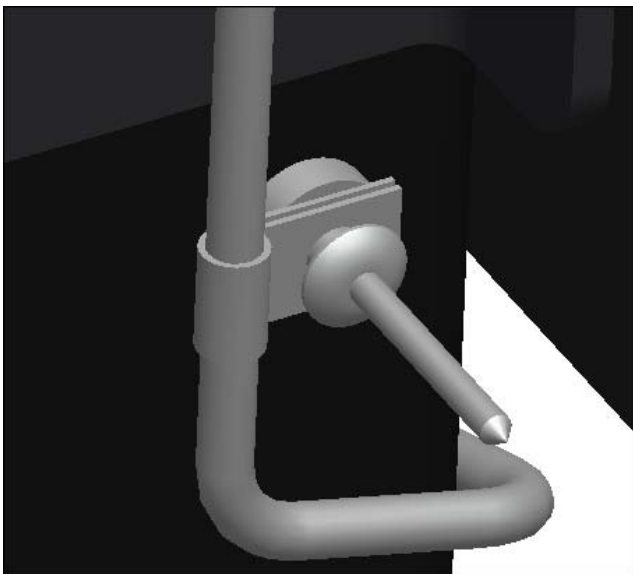
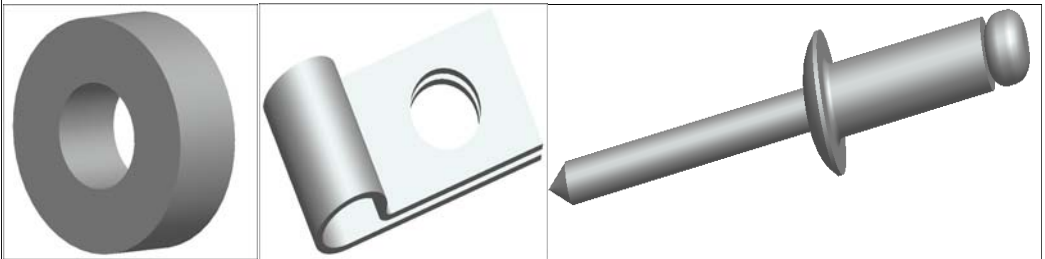


12. Install and route wire harness to the back of the 2-Post ROPS Extension. Use rivet no. 88 and r-clamp. (4x included in parts box).



INSTALLATION INSTRUCTIONS

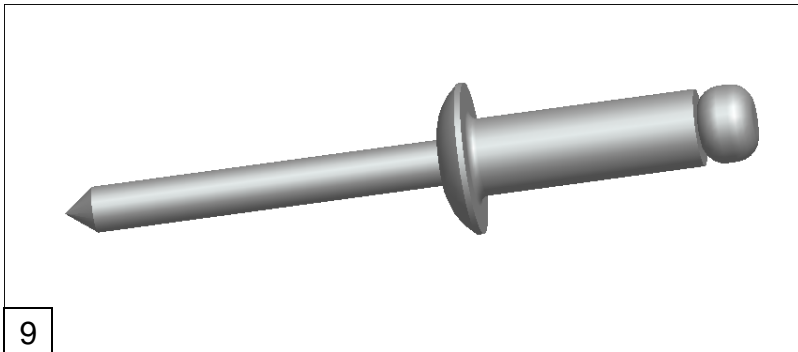
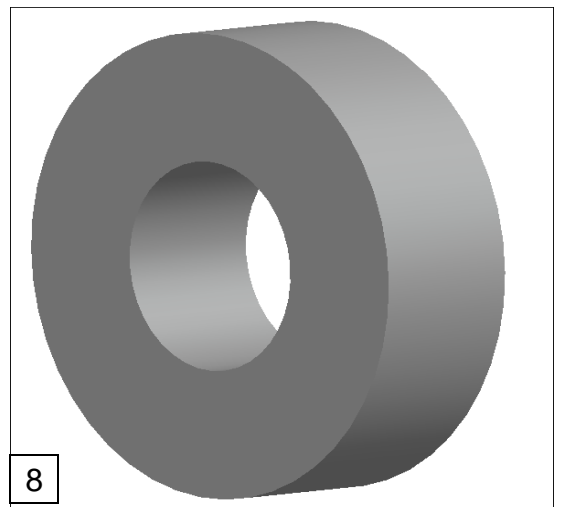
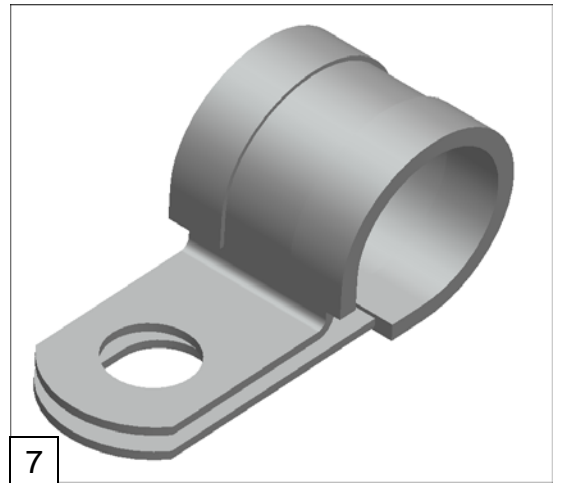
13. Install vent tube (RH and LH Side). Use spacer, rivet no. 88 (included in parts box) and the retained vent tube clamps.



14. The spacer should be assembled between the ROPS Post and the r-clamp when installing the rivet.

PARTS LIST

1. 2 x Side Support Plate
2. 8 x Bolt, Carriage, 5/16" x 1 1/2"
3. 8 x Nut, Flange, 5/16" YD
4. 2 x Lift Brackets 2" Tube
5. 2 x Bolt, Hex, 3/8" x 3 1/2", YD
6. 2 x Nut, Nylon Lock, 3/8" YD
7. 4 x R-Clamp
8. 4 x Washer 1/4"
9. 8 x No. 88 sized blind rivets



TO THE PURCHASER

All products are designed to give safe, dependable service if they are operated and maintained according to instructions. Read and understand this manual before installation or operation.

This manual has been prepared to assist the owner and operators in the safe installation, and suitable maintenance of this cab. The information is applicable to products at the time of manufacture and does not include modifications made afterwards.

Read and understand mounting instructions before attempting to mount cab. Familiarize yourself with the operating instructions and all safety recommendations contained in this manual, and on the tractor. Follow the safety recommendations and make sure that those with whom you work follow them.

DIRECTION REFERENCE

All references to right and left, forward or rearward, are from the operators' seat, facing the steering wheel.

To assist you dealer in handling your needs, please record hereafter the model number and serial number of your cab and tractor. It is also advisable to supply them to your insurance company. It will be helpful in the event that the cab or tractor is lost or stolen.

2-POST ROPS TRACTOR: _____

MODEL: _____

SERIAL NUMBER: _____

DATE OF PURCHASE: _____

DEALER NAME: _____



Toro General Commercial Products Warranty

A Two-Year Limited Warranty

Conditions and Products Covered

The Toro Company and its affiliate, Toro Warranty Company, pursuant to an agreement between them, jointly warrant your Toro Commercial Product ("Product") to be free from defects in materials or workmanship for two years or 1500 operational hours*, whichever occurs first. This warranty is applicable to all products with the exception of Aerators (refer to separate warranty statements for these products). Where a warrantable condition exists, we will repair the Product at no cost to you including diagnosis, labor, parts, and transportation. This warranty begins on the date the Product is delivered to the original retail purchaser.

* Product equipped with hour meter

Instructions for Obtaining Warranty Service

You are responsible for notifying the Commercial Products Distributor or Authorized Commercial Products Dealer from whom you purchased the Product as soon as you believe a warrantable condition exists. If you need help locating a Commercial Products Distributor or Authorized Dealer, or if you have questions regarding your warranty rights or responsibilities, you may contact us at:

Toro Commercial Products Service Department
Toro Warranty Company
8111 Lyndale Avenue South
Bloomington, MN 55420-1196
952-888-8801 or 800-952-2740
E-mail: commercial.warranty@toro.com

Owner Responsibilities

As the Product owner, you are responsible for required maintenance and adjustments stated in your *Operator's Manual*. Failure to perform required maintenance and adjustments can be grounds for disallowing a warranty claim.

Items and Conditions Not Covered

Not all product failures or malfunctions that occur during the warranty period are defects in materials or workmanship. This warranty does not cover the following:

- Product failures which result from the use of non-Toro replacement parts, or from installation and use of add-on, or modified non-Toro branded accessories and products. A separate warranty may be provided by the manufacturer of these items.
- Product failures which result from failure to perform recommended maintenance and/or adjustments. Failure to properly maintain your Toro product per the Recommended Maintenance listed in the *Operator's Manual* can result in claims for warranty being denied.
- Product failures which result from operating the Product in an abusive, negligent or reckless manner.
- Parts subject to consumption through use unless found to be defective. Examples of parts which are consumed, or used up, during normal Product operation include, but are not limited to, brake pads and linings, clutch linings, blades, reels, rollers and bearings (sealed or greasable), bed knives, aerator crankshaft and stomper arm bearings, tines, spark plugs, castor wheels and bearings, tires, filters, belts, and certain sprayer components such as diaphragms, nozzles, and check valves, etc.

- Failures caused by outside influence. Conditions considered to be outside influence include, but are not limited to, weather, storage practices, contamination, use of unapproved coolants, lubricants, additives, fertilizers, water, or chemicals, etc.
- Normal noise, vibration, wear and tear, and deterioration.
- Normal "wear and tear" includes, but is not limited to, damage to seats due to wear or abrasion, worn painted surfaces, scratched decals or windows, etc.

Parts

Parts scheduled for replacement as required maintenance are warranted for the period of time up to the scheduled replacement time for that part. Parts replaced under this warranty are covered for the duration of the original product warranty and become the property of Toro. Toro will make the final decision whether to repair any existing part or assembly or replace it. Toro may use remanufactured parts for warranty repairs.

Note Regarding Deep Cycle Battery Warranty:

Deep cycle batteries have a specified total number of kilowatt-hours they can deliver during their lifetime. Operating, recharging, and maintenance techniques can extend or reduce total battery life. As the batteries in this product are consumed, the amount of useful work between charging intervals will slowly decrease until the battery is completely worn out. Replacement of worn out batteries, due to normal consumption, is the responsibility of the product owner. Battery replacement may be required during the normal product warranty period at owner's expense.

Maintenance is at Owner's Expense

Engine tune-up, lubrication cleaning and polishing, replacement of filters, coolant, and completing recommended maintenance are some of the normal services Toro products require that are at the owner's expense.

General Conditions

Repair by an Authorized Toro Distributor or Dealer is your sole remedy under this warranty.

Neither The Toro Company nor Toro Warranty Company is liable for indirect, incidental or consequential damages in connection with the use of the Toro Products covered by this warranty, including any cost or expense of providing substitute equipment or service during reasonable periods of malfunction or non-use pending completion of repairs under this warranty. Except for the Emissions warranty referenced below, if applicable, there is no other express warranty. All implied warranties of merchantability and fitness for use are limited to the duration of this express warranty.

Some states do not allow exclusions of incidental or consequential damages, or limitations on how long an implied warranty lasts, so the above exclusions and limitations may not apply to you. This warranty gives you specific legal rights, and you may also have other rights which vary from state to state.

Note regarding engine warranty:

The Emissions Control System on your Product may be covered by a separate warranty meeting requirements established by the U.S. Environmental Protection Agency (EPA) and/or the California Air Resources Board (CARB). The hour limitations set forth above do not apply to the Emissions Control System Warranty. Refer to the Engine Emission Control Warranty Statement supplied with your product or contained in the engine manufacturer's documentation for details.

Countries Other than the United States or Canada

Customers who have purchased Toro products exported from the United States or Canada should contact their Toro Distributor (Dealer) to obtain guarantee policies for your country, province, or state. If for any reason you are dissatisfied with your Distributor's service or have difficulty obtaining guarantee information, contact the Toro importer.