



**Count on it.**

**Parts Catalog**

**55cm Recycler® Lawn Mower**

Model No. 20958—Serial No. 31000001 and Up

# Ordering Replacement Parts

To order replacement parts, please supply the part number, the quantity, and the description of each part desired.

## Understanding Reference Numbers

Each identified part in an illustration has a reference number. The reference number for a part also appears in the parts list, along with other information about the part.

This catalog uses two special reference number formats, one to indicate parts in a service assembly and another to indicate the quantity of a given part in an illustration.

## Service Assembly Reference Numbers

Parts in service assemblies have reference numbers in the form a:b. The a represents the reference number of the entire service assembly and the b represents a sequential number unique to each part within the service assembly.

For example, a wheel assembly might be identified by reference number 6, the tire by 6:1, the valve by 6:2, and the wheel by 6:3. When you order the assembly identified by reference number 6, you receive all parts identified by reference numbers 6:1, 6:2, and 6:3. However, you may also order any part individually. Reference numbers of this type appear in illustration and in parts lists.

## Reference Numbers Indicating Quantity

In an illustration, if a reference number indicates more than one part, the reference number has the form nX y. The n represents the quantity of the part, the X is the multiplication symbol, and the y represents the reference number.

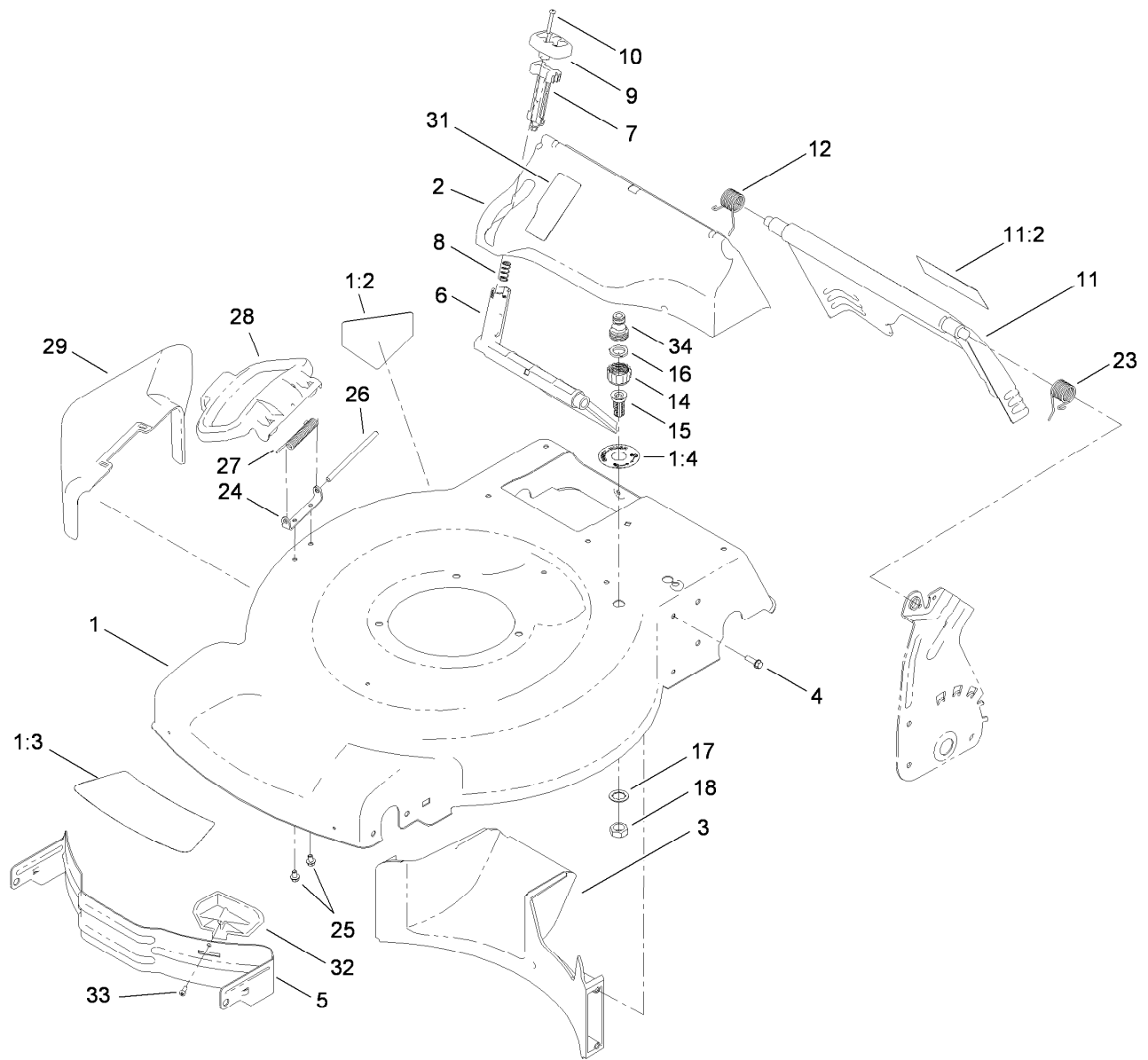
For example, in an illustration, the reference number 2X 37 means that two of the parts identified by reference number 37 are indicated.

# List of Abbreviations

<b>AR:</b> as required	<b>HSBH:</b> hex socket button head	<b>SFH:</b> slotted fillister head
<b>ASM:</b> assembly	<b>HSFH:</b> hex socket flat head	<b>SHH:</b> slotted hex head
<b>BBC:</b> blade brake clutch	<b>HSH:</b> hex socket head	<b>SHWH:</b> slotted hex washer head
<b>CARR:</b> carriage	<b>HWH:</b> hex washer head	<b>SPH:</b> slotted pan head
<b>CCW:</b> counter clock wise	<b>HWTF:</b> hex washer head thread forming	<b>SQH:</b> square head
<b>CW:</b> clockwise	<b>HYD:</b> hydraulic	<b>SRH:</b> slotted round head
<b>DEG:</b> degrees	<b>LH:</b> left hand	<b>STD:</b> standard
<b>ECM:</b> electronic control module	<b>NI:</b> nylon insert	<b>TAP:</b> self tapping
<b>EXT:</b> external	<b>NPTF:</b> national pipe thread fine	<b>TTH:</b> torx truss head
<b>FH:</b> flat head	<b>PFH:</b> phillips flat head	
<b>GA:</b> gauge	<b>PPH:</b> phillips pan head	
<b>HD:</b> heavy-duty	<b>PPHTF:</b> phillips pan head thread forming	
<b>HF:</b> hex flange	<b>PRH:</b> phillips round head	
<b>HH:</b> hex head	<b>PTH:</b> phillips truss head	
<b>HHF:</b> hex head flange	<b>PTO:</b> power-take-off	
<b>HHFTF:</b> hex head flange thread forming	<b>RH:</b> right hand	
<b>HJ:</b> hex jam	<b>ROPS:</b> roll-over protection system	
<b>HLH:</b> hex lag head	<b>RRB:</b> rear roller brush	
<b>HOC:</b> height-of-cut		

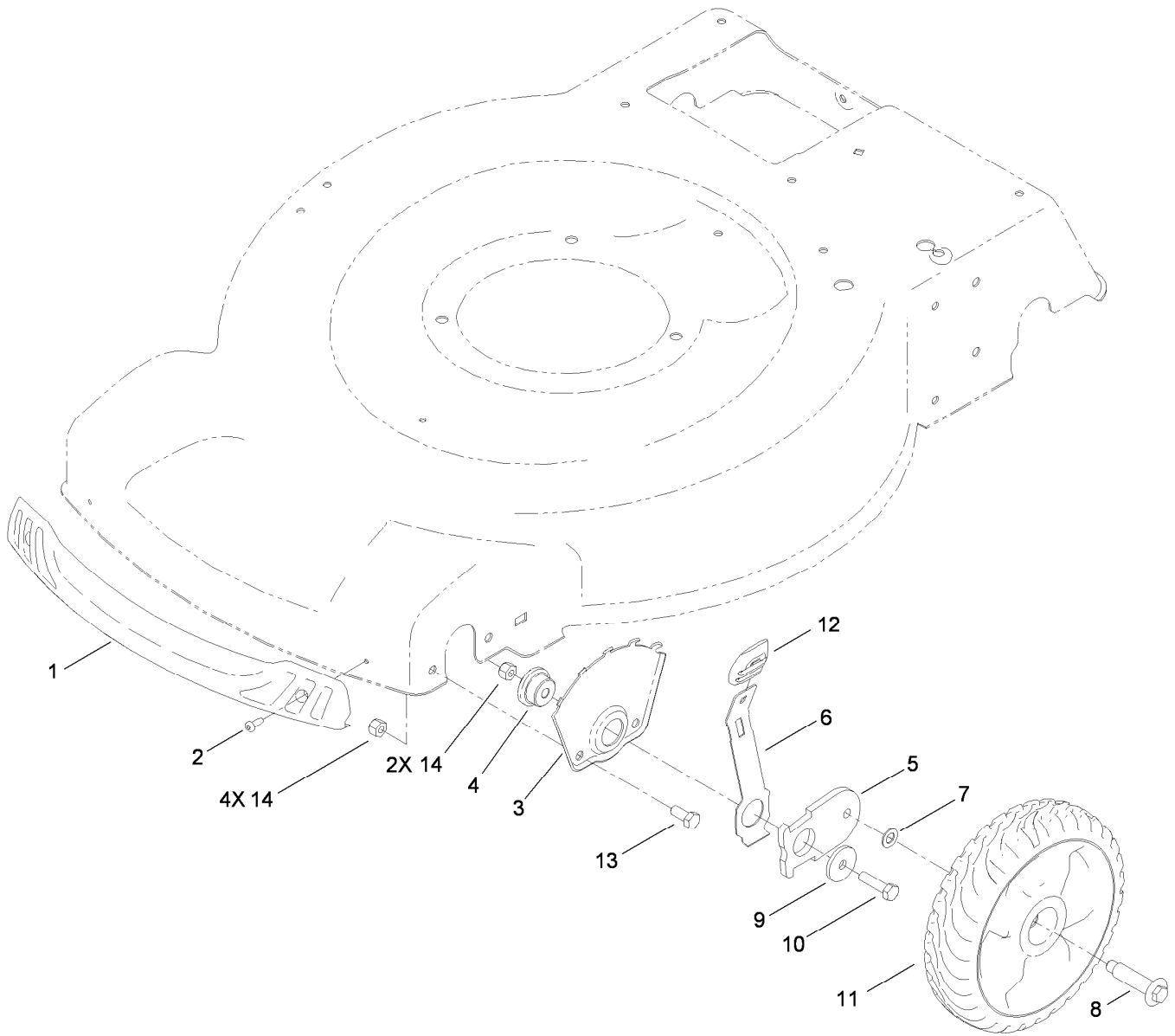
# Contents

Housing and Rear Door Assembly .....	4
Front Axle Assembly .....	5
Transmission and Rear Wheel Drive Assembly.....	6
Engine and Blade Assembly.....	7
Upper Handle Assembly .....	8
Handle Component Assembly .....	9
Rear Bag Assembly .....	10
Attachments and Accessories .....	11



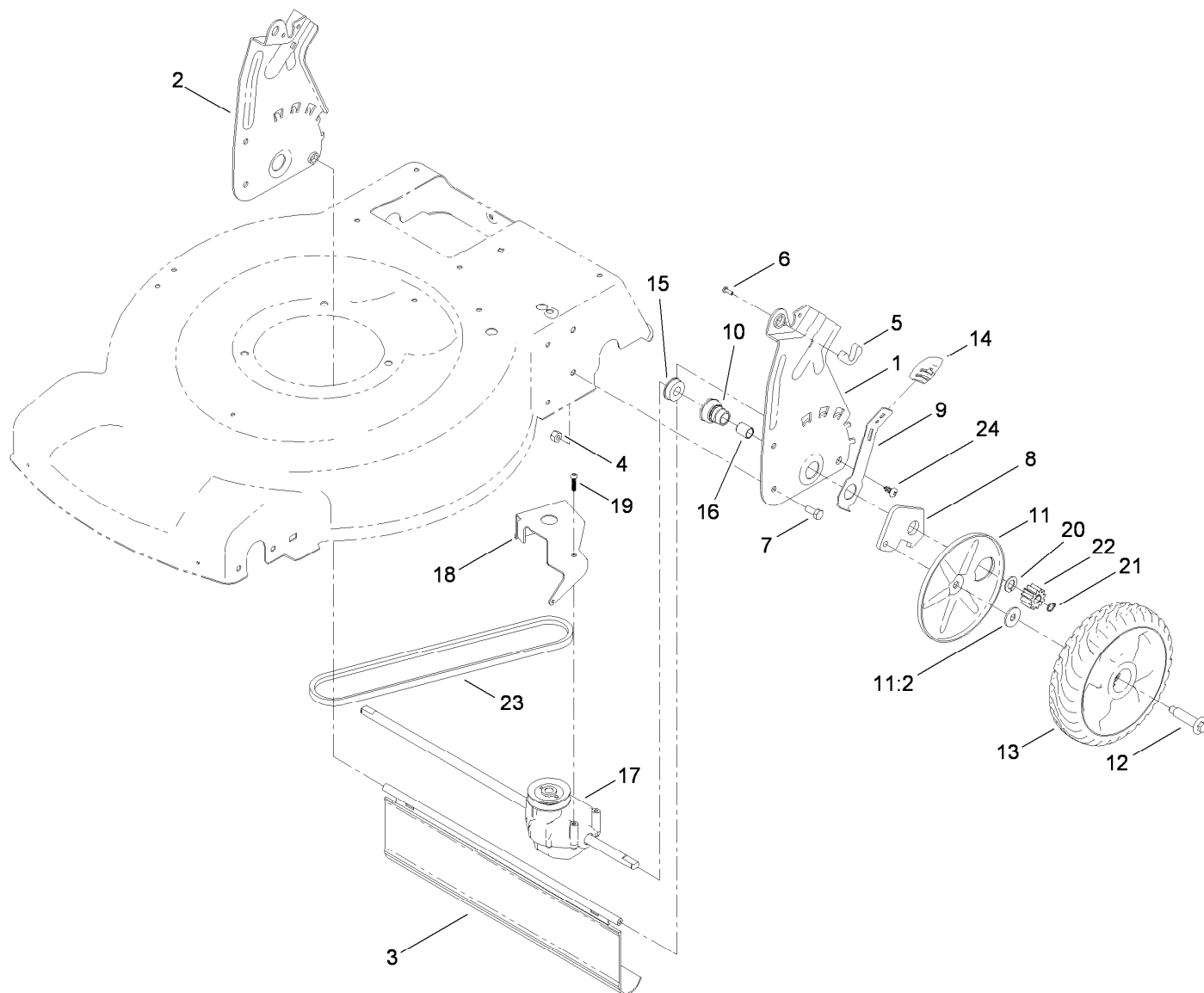
## Housing and Rear Door Assembly

Ref.	Part Number	Qty.	Description	Ref.	Part Number	Qty.	Description
1	119-0282	1	Housing ASM	15	112-6400	1	Port-Washout
1:2	112-8760	1	Decal-Danger	16	112-6438	1	Washer-Seal, Washout Port
1:3	119-0283	1	Decal-Recycler	17	3254-5	1	Washer-Tooth, Internal
1:4	112-8867	1	Decal-Port, Washout	18	3218-6	1	Nut-Jam
2	115-4677	1	Chute-Recycle	23	115-2859	1	Spring-Torsion
3	114-7961	1	Baffle-Rear	24	112-6416	1	Bracket-Cover
4	46-8091	9	Screw-HWH	25	99-8445	2	Screw-HWH
5	115-4667-01	1	Baffle-Front	26	99-5291	1	Rod-Cover
6	114-7960	1	Deflector-Recycle	27	99-5293	1	Spring-Torsion
7	114-7959	1	Latch-Recycle	28	115-8449	1	Deflector-Side
8	117-1031	1	Spring-Compression	29	115-8447	1	Chute-Discharge, Side
9	114-7958	1	Knob-Recycle	31	119-0305	1	Decal-Bag On Demand
10	32104-120	2	Screw-PPH	32	115-4672	1	Kicker-Front
11	114-7992	1	Rear Door ASM	33	32144-111	1	Screw-PPH
11:2	114-7982	1	Decal-Warning	34	112-6437	1	Adapter-Connect, Quick
12	114-7924	1	Spring-Torsion				
14	112-6401	1	Coupling-Hose, Washout Port				



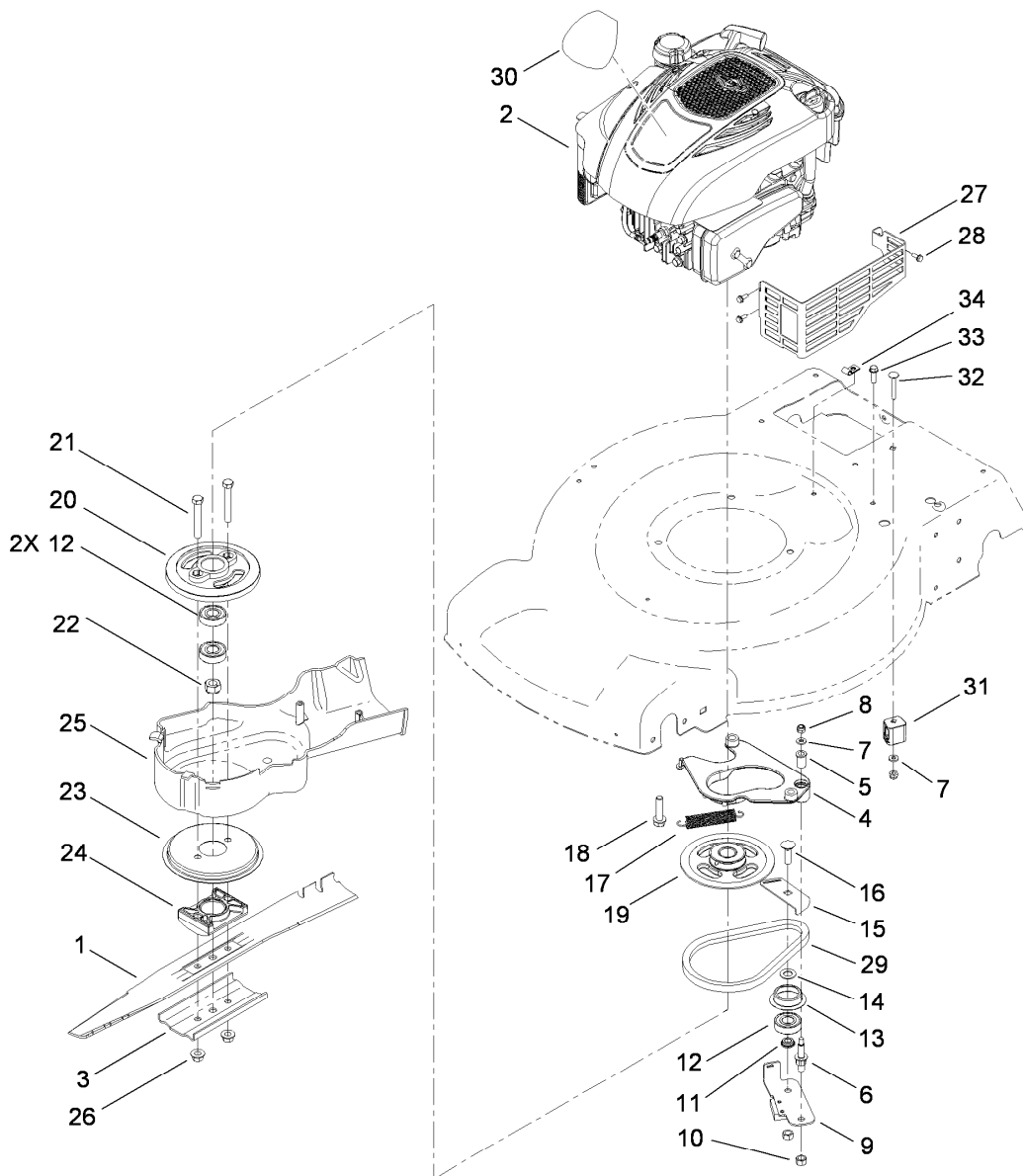
## Front Axle Assembly

Ref.	Part Number	Qty.	Description
1	114-7987	1	Bumper
2	105-6849	2	Screw-Thread Forming
3	115-1956-03	2	Plate-HOC, Front
4	105-1818	2	Bushing-Mount, HOC
5	105-1807	2	Arm-Pivot, Front
6	105-1809	2	Arm-Spring
7	40-1940	2	Washer
8	614650	2	Bolt-Shoulder
9	105-3048	2	Washer-Flat
10	322-6	2	Screw-HH
11	115-2894	2	8 Inch Wheel ASM
12	105-3042	2	Knob-Lever, HOC
13	322-3	4	Screw-HH
14	3296-29	6	Nut-Lock, NI



## Transmission and Rear Wheel Drive Assembly

<i>Ref.</i>	<i>Part Number</i>	<i>Qty.</i>	<i>Description</i>	<i>Ref.</i>	<i>Part Number</i>	<i>Qty.</i>	<i>Description</i>
1	114-7955-03	1	Plate-LH, Rear (HOC)	13	115-4695	2	8 Inch Wheel Gear ASM
2	114-7956-03	1	Plate-RH, Rear (HOC)	14	105-3042	2	Knob-Lever, HOC
3	115-2893	1	Shield-Trailing	15	104-8699	2	Bearing-Ball
4	3296-29	4	Nut-Lock, NI	16	108-9782	2	Bushing-Sleeve
5	115-8406	2	Anchor-Bag	17	115-4652	1	Transmission
6	105-9437	2	Screw-PPH	18	114-7977-03	1	Bracket-Transmission
7	322-3	4	Screw-HH	19	108-7476	3	Screw-Plastite
8	108-9781	2	Arm-Pivot, Rear	20	110-7191	2	Washer-Thrust
9	108-9780	2	Arm-Spring	21	32151-61	2	Ring-Retaining
10	108-9779	2	Retainer-Bushing, HOC	22	115-4668	2	Gear-Pinion, 12T
11	110-1792	2	Wheel Cover ASM	23	115-4669	1	Belt-V
11:2	614426	1	Washer-Stepped	24	117-1092	2	Screw-PTH
12	614650	2	Bolt-Shoulder				

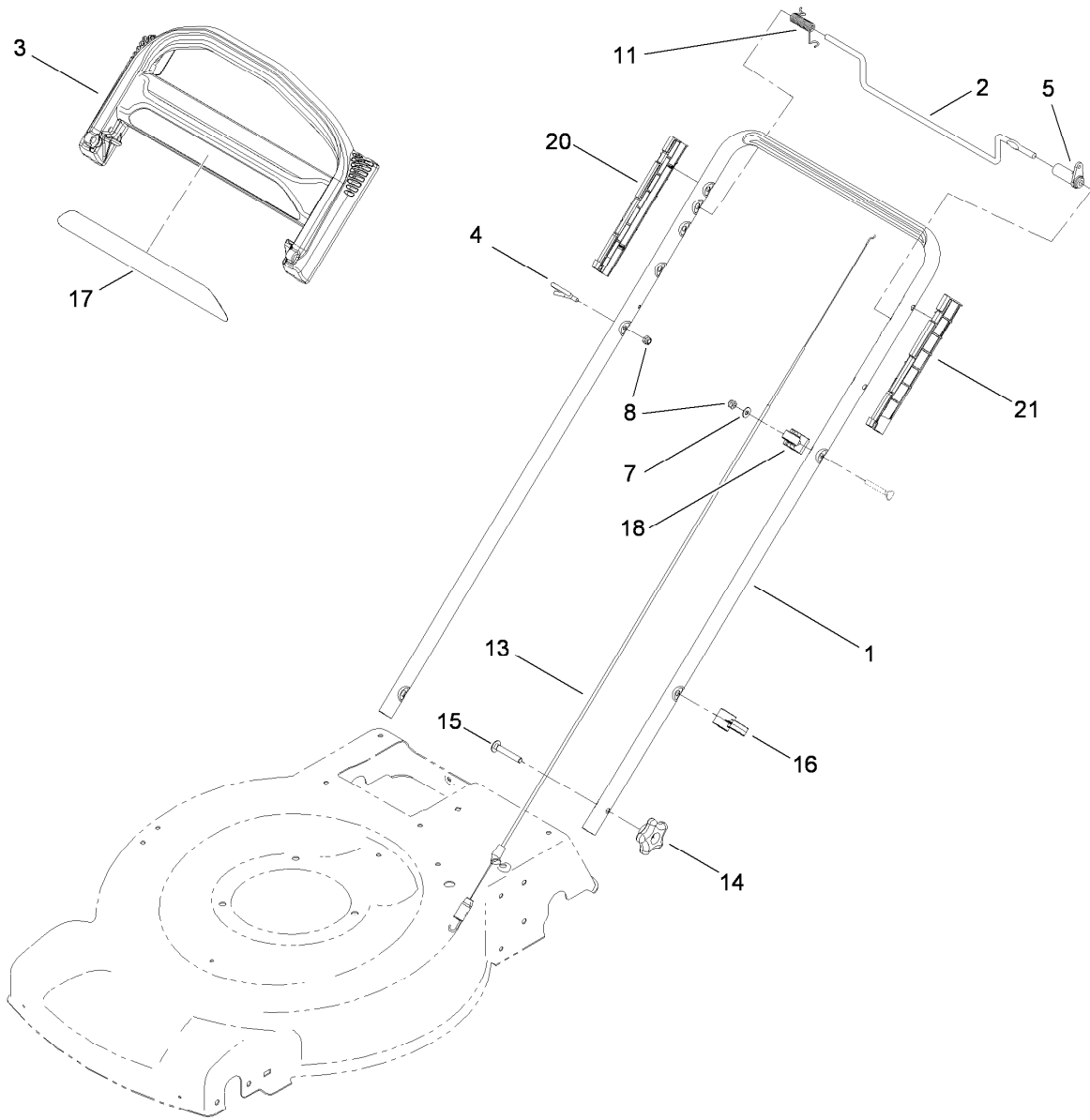


## Engine and Blade Assembly

Ref.	Part Number	Qty.	Description	Ref.	Part Number	Qty.	Description
1	108-9783-03	1	Blade	18	32144-102	3	Screw-HWH
2		1	Engine-Briggs, 126T02-0330-B1 ●■	19	117-5970	1	Pulley-BBC
3	108-3766-03	1	Support-Blade	20	107-0754	1	Drum
4	108-9341	1	Plate-Anchor	21	3211-42	2	Screw-HH
5	107-0797	1	Bushing	22	108-9342	1	Nut-Hex
6	107-0759	1	Bolt-Shoulder	23	108-3787	1	Disc
7	3256-16	2	Washer-Flat	24	107-7487	1	Support-Blade
8	3296-73	2	Nut-Lock, NI	25	115-2892	1	Cover-BBC
9	107-7477	1	Brake Arm ASM	26	54-9190	2	Nut-Lock
10	603773	2	Nut	27	104-7577-03	1	Shield-Muffler
11	107-0758	1	Spacer-Bearing	28	32144-1	3	Screw-Taptite
12	100-1048	3	Bearing-Ball	29	110-1790	1	Belt-BBC
13	108-3790	1	Retainer-Belt	30	115-4653	1	Decal
14	605256	1	Washer	31	106-6801	1	Anchor-Cable, BBC
15	107-7471	1	Plate-Guide	32	3229-5	1	Screw-CARR
16	3231-25	1	Screw-CARR	33	46-8091	2	Screw-HWH
17	108-3792	1	Spring-Tension, Brake	34	2412-72	1	Clip-Closed, Insulated

● Not serviced separately

■ Obtain parts from [www.briggsandstratton.com](http://www.briggsandstratton.com)

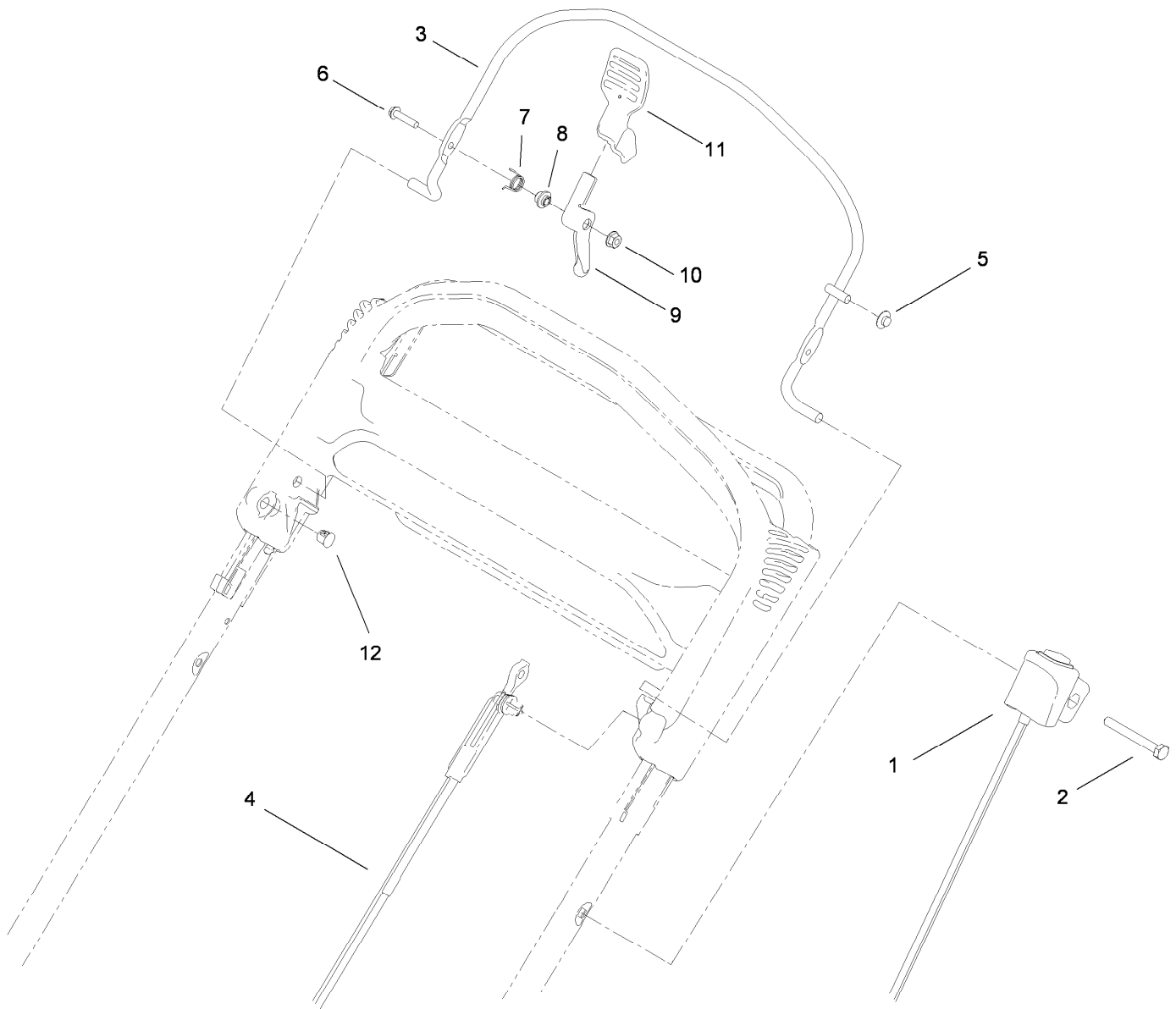


## Upper Handle Assembly

Ref.	Part Number	Qty.	Description
1	119-3810-05	1	Handle
2	99-1588	1	Bar-Control, Traction
3	104-8678	1	Handle-Control
4	86-9671	1	Guide-Rope
5	99-1589	1	Lever-Traction
7	3256-1	1	Washer-Flat
8	3296-73	2	Nut-Lock, NI
11	104-8690	1	Spring-Torsion

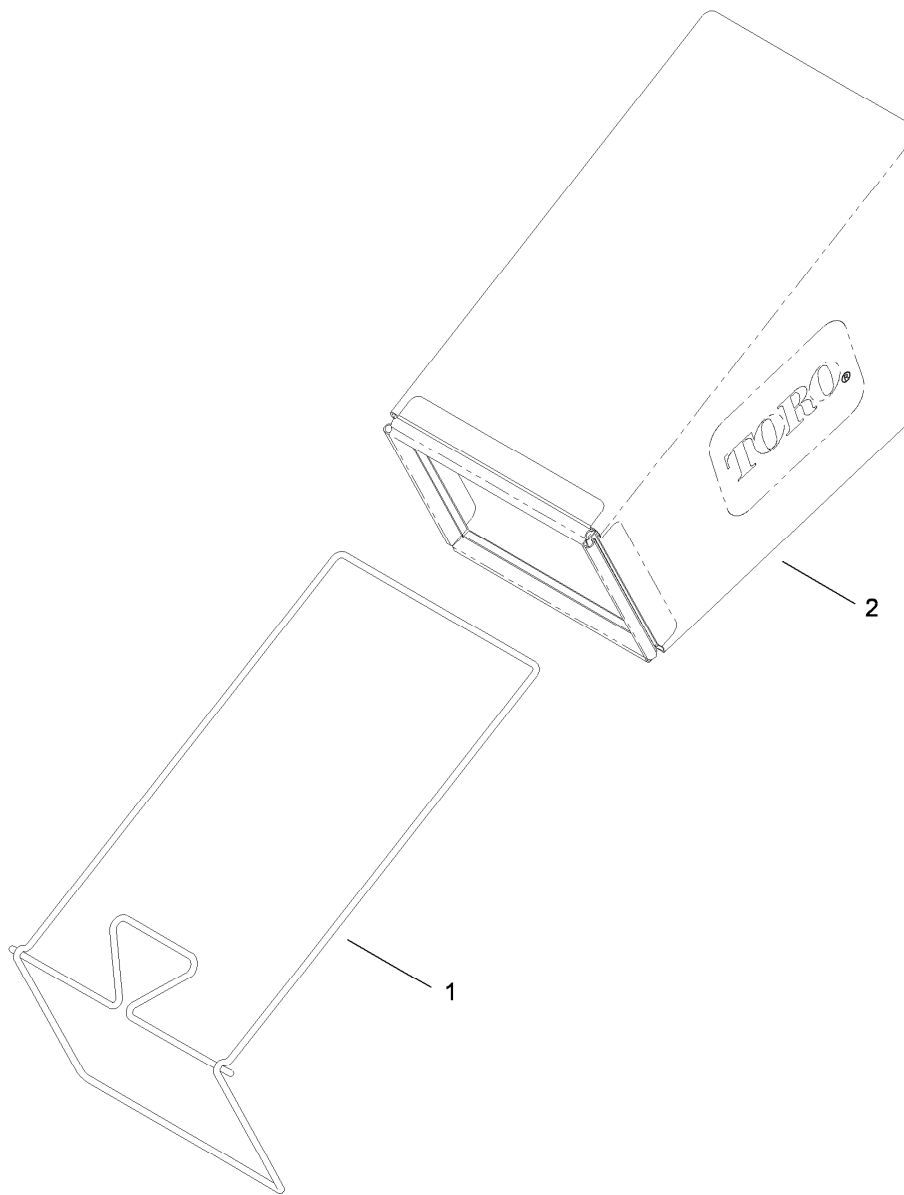
Ref.	Part Number	Qty.	Description
13	115-8435	1	Cable-Traction
14	117-5976	2	Knob-Handle, Locking
15	3230-6	2	Screw-CARR
16	106-6805	1	Guide-Cable
17	110-7056	1	Decal-Handle
18	99-5239	1	Anchor-Cable
20	105-6841	1	Guide-RH
21	105-6842	1	Guide-LH





## Handle Component Assembly

Ref.	Part Number	Qty.	Description
1	108-8161	1	Switch Housing ASM
2	321-50	1	Screw-HH
3	108-3788-03	1	Bail-Brake
4	115-8439	1	Cable-Brake, BBC
5	3290-337	1	Nut-Speed
6	106-9169	1	Screw
7	107-7462	1	Spring-Torsion
8	107-7463	1	Spacer
9	106-6802	1	Lever
10	32128-17	1	Nut-Lock, Flange
11	112-8884	1	Knob-BBC
12	104-9368	1	Plug-Dome



## Rear Bag Assembly

<i>Ref.</i>	<i>Part Number</i>	<i>Qty.</i>	<i>Description</i>
1	114-2679-03	1	Frame-Bag
2	115-4673	1	Grass Bag ASM

# Attachments and Accessories

## For 20958 55cm Recycler Lawn Mower

<b>Product Name</b>	<b>Model/Part</b>
Traction Assist Handle Kit.....	108-8120
Replacement Bag .....	59310
Replacement Frame and Bag Kit.....	59312
22 Inch Blade Kit.....	59534



**Count on it.**