



# 53cm Recycler® Lawn Mower

Model No. 20997—Serial No. 310000001 and Up

## Operator's Manual

## Introduction

This rotary-blade, walk-behind lawn mower is intended to be used by residential homeowners. It is designed primarily for cutting grass on well-maintained lawns on residential properties. It is not designed for cutting brush or for agricultural uses.

Read this information carefully to learn how to operate and maintain your product properly and to avoid injury and product damage. You are responsible for operating the product properly and safely.

You may contact Toro directly at [www.Toro.com](http://www.Toro.com) for product and accessory information, help finding a dealer, or to register your product.

Whenever you need service, genuine Toro parts, or additional information, contact an Authorized Service Dealer or Toro Customer Service and have the model and serial numbers of your product ready. Figure 1 identifies the location of the model and serial numbers on the product.

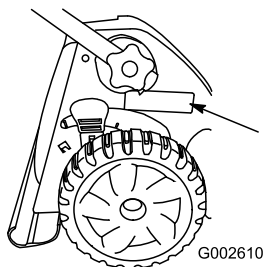


Figure 1

1. Model and serial number plate

Write the product model and serial numbers in the space below:

|                  |
|------------------|
| Model No. _____  |
| Serial No. _____ |

This manual identifies potential hazards and has safety messages identified by the safety alert symbol (Figure 2), which signals a hazard that may cause serious

injury or death if you do not follow the recommended precautions.



Figure 2

1. Safety alert symbol

This manual uses two words to highlight information. **Important** calls attention to special mechanical information and **Note** emphasizes general information worthy of special attention.

This product complies with all relevant European directives. For details, see the separate product specific Declaration of Conformity (DOC) sheet.

For models with stated engine horsepower, the gross horsepower of the engine was laboratory rated by the engine manufacturer in accordance with SAE J1940. As configured to meet safety, emission, and operating requirements, the actual engine horsepower on this class of lawn mower will be significantly lower.

Do not tamper with the engine controls or alter the governor speed; doing so may create an unsafe condition resulting in personal injury.

## Safety

**Improperly using or maintaining this mower can result in injury. To reduce the potential for injury, comply with these safety instructions.**

Toro designed and tested this mower for reasonably safe service; however, failure to comply with the following instructions may result in personal injury.

**To ensure maximum safety, best performance, and to gain knowledge of the product, it is essential that you and any other operator of the mower read and understand the contents of this manual before the engine is ever started. Pay particular attention to the safety alert symbol (Figure 2) which means Caution, Warning, or Danger—“personal safety**

**instruction.” Read and understand the instruction because it has to do with safety. Failure to comply with the instruction may result in personal injury.**

## General Lawn Mower Safety

The following instructions have been adapted from EN 836.

This cutting machine is capable of amputating hands and feet and throwing objects. Failure to observe the following safety instructions could result in serious injury or death.

### Training

- Read the instructions carefully. Be familiar with the controls and the proper use of the equipment.
- Never allow children or people unfamiliar with these instructions to use the mower. Local regulations can restrict the age of the operator.
- Keep in mind that the operator or user is responsible for accidents or hazards occurring to other people or their property.
- Understand explanations for all pictograms used on the mower or in the instructions.

### Gasoline

**WARNING**-Gasoline is highly flammable. Take the following precautions.

- Store fuel in containers specifically designed for this purpose.
- Refuel outdoors only and do not smoke while refueling.
- Add fuel before starting the engine. Never remove the cap of the fuel tank or add gasoline while the engine is running or when the engine is hot.
- If gasoline is spilled, do not attempt to start the engine but move the mower away from the area of spillage and avoid creating any source of ignition until gasoline vapors have dissipated.
- Replace all fuel tank and container caps securely.

### Preparation

- While mowing, always wear substantial footwear and long trousers. Do not operate the equipment when barefoot or wearing open sandals.
- Thoroughly inspect the area where the equipment is to be used and remove all stones, sticks, wires, bones and other foreign objects.

- Before using, always visually inspect to see that guards, and safety devices, such as deflectors and/or grass catchers, are in place and working correctly.
- Before using, always visually inspect to see that the blades, blade bolts and cutter assembly are not worn or damaged. Replace worn or damaged blades and bolts in sets to preserve balance.

### Starting

- Do not tilt mower when starting the engine unless the mower has to be tilted for starting. In this case, do not tilt it more than absolutely necessary and lift only the part, which is away from the operator.
- Start the engine carefully according to instructions and with feet well away from the blade(s) and not in front of the discharge chute.

### Operation

- Never mow while people, especially children, or pets are nearby.
- Mow only in daylight or in good artificial light.
- Stay alert for holes in the terrain and other hidden hazards.
- Do not put hands or feet near or under rotating parts. Keep clear of the discharge opening at all times.
- Never pick up or carry a lawn mower while the engine is running.
- Use extreme caution when reversing or pulling a pedestrian controlled lawn mower towards you.
- Walk, never run.
- Slopes:
  - Do not mow excessively steep slopes.
  - Exercise extreme caution when on slopes.
  - Mow across the face of slopes, never up and down and exercise extreme caution when changing direction on slopes.
  - Always be sure of your footing on slopes.
- Reduce speed on slopes and in sharp turns to prevent overturning or loss of control.
- Stop the blade if the lawn mower has to be tilted for transportation when crossing surfaces other than grass and when transporting the lawn mower to and from the area to be mowed.
- Do not operate the engine in a confined space where dangerous carbon monoxide fumes can collect.
- Stop the engine

- whenever you leave the lawn mower.
- before refueling.
- before removing the grass catcher.
- before making height adjustment unless adjustment can be made from the operator's position.
- Stop the engine and disconnect the spark-plug wire.
  - before clearing blockages or unclogging chute.
  - before checking, cleaning or working on the lawn mower.
  - after striking a foreign object, inspect the lawn mower for damage and make repairs before restarting and operating the lawn mower.
  - if lawn mower starts to vibrate abnormally (check immediately).
- Lightning can cause severe injury or death. If you see lightning or hear thunder in the area, do not operate the machine; seek shelter.
- Watch out for traffic when crossing or near roadways.

## Maintenance and Storage

- Keep all nuts, bolts and screws tight to be sure the equipment is in safe working condition.
- Do not use pressure cleaning equipment on machine.
- Never store the equipment with gasoline in the tank and inside a building where fumes can reach an open flame or spark.
- Allow the engine to cool before storing in any enclosure.
- To reduce the fire hazard, keep the engine, silencer, battery compartment and gasoline storage area free of grass, leaves, or excessive grease.
- Check grass catcher components and the discharge guard frequently and replace with manufacturer's recommended parts, when necessary.
- Replace worn or damaged parts for safety.
- Replace faulty silencers.
- If the fuel tank has to be drained, do this out-doors.
- Do not change the engine governor settings or overspeed the engine. Operating an engine at excessive speed can increase the hazard of personal injury.
- On multibladed lawn mowers, take care as rotating one blade may cause others to rotate.

- Be careful during adjustment of the lawn mower to prevent entrapment of the fingers between moving blades and fixed parts of the lawn mower.
- **To ensure the best performance and safety, purchase only genuine Toro replacement parts and accessories. Do not use *will fit* parts and accessories; they may cause a safety hazard.**

## Sound Pressure

This unit has a sound pressure level at the operator's ear of 89 dBA, which includes an Uncertainty Value (K) of 1 dBA. The sound pressure level was determined according to the procedures outlined in EN 836.

## Sound Power

This unit has a guaranteed sound power level of 98 dBA, which includes an Uncertainty Value (K) of 1 dBA. The sound power level was determined according to the procedures outlined in ISO 11094.

## Hand-Arm Vibration

Measured vibration level for the left hand = 4.7 m/s<sup>2</sup>

Measured vibration level for the right hand = 4.6 m/s<sup>2</sup>

Uncertainty Value (K) = 2.4 m/s<sup>2</sup>.

The measured values were determined according to the procedures outlined in EN 836.

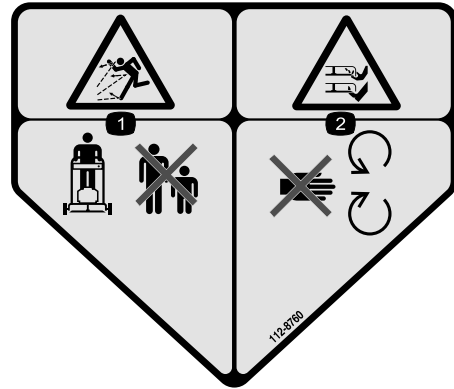
# Safety and Instructional Decals

**Important:** Safety and instruction decals are located near areas of potential danger. Replace damaged decals.



107-1946

1. Handle Upright
2. Handle folded
3. Release foot switch to fold handle



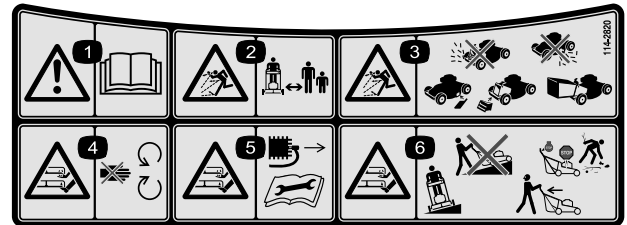
112-8760

1. Thrown object hazard—keep bystanders a safe distance from the machine.
2. Cutting/dismemberment of hand or foot—stay away from moving parts.



108-7450

1. Height of cut



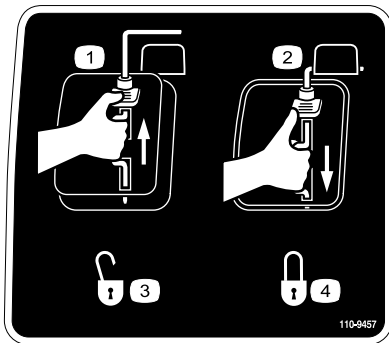
114-2820

1. Warning—read the *Operator's Manual*.
2. Thrown object hazard—keep bystanders a safe distance from the machine.
3. Thrown object hazard—do not operate the mower without the rear discharge plug or bag in place; do not operate the mower without the side discharge cover or deflector in place.
4. Cutting/dismemberment hazard of hand or foot, mower blade—stay away from moving parts.
5. Cutting/dismemberment hazard of hand or foot, mower blade—remove the ignition key and read the instructions before servicing or performing maintenance.
6. Cutting/dismemberment hazard of hand or foot, mower blade—do not operate up and down slopes; operate side to side on slopes; stop the engine before leaving the operating position; and look behind you when backing up.



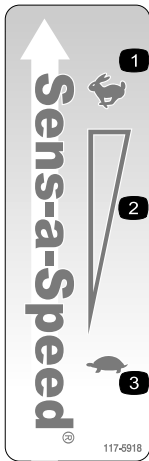
108-7451

1. Height of cut



110-9457

1. Engine switch Off
2. Engine switch On
3. Unlocked
4. Locked



117-5918

1. Fast
2. Continuous variable setting
3. Slow



119-3796

1. To engage the blade, release the interlock switch.
2. Pull back the bail to the handle.

# Setup

**Important:** Remove and discard the protective plastic sheet that covers the engine.

## 1

### Unfolding the Handle

#### No Parts Required

#### Procedure

1. Unfold the handle as illustrated in Figure 3 and Figure 4.

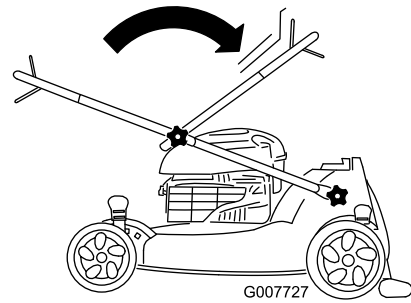


Figure 3

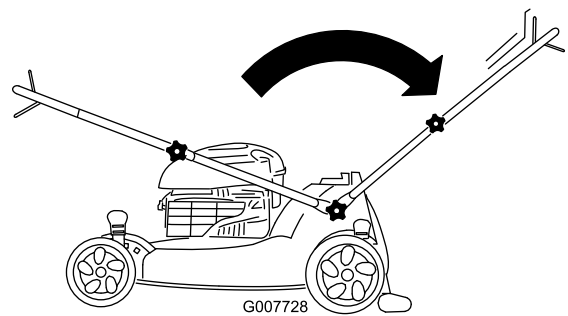


Figure 4

2. Tighten all handle knobs.

# 2

## Filling the Engine with Oil

### No Parts Required

### Procedure

**Important:** Your mower does not come with oil in the engine.

1. Remove the dipstick (Figure 5).

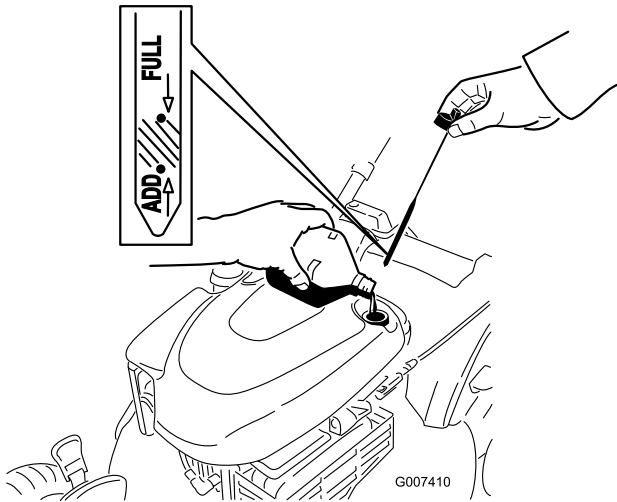


Figure 5

2. Slowly pour oil into the oil fill tube until the oil level reaches the **Full** line on the dipstick (Figure 5). **Do not overfill.** (Max. fill: 20 oz., type: SAE 30 detergent oil with an API service classification of SF, SG, SH, SJ, SL, or higher.)

**Note:** If you overfill the engine, pour some oil out of it as directed in Changing the Engine Oil.

3. Install the dipstick securely.

**Important:** *Change the engine oil after the first 5 operating hours; change it yearly thereafter. Refer to Changing the Engine Oil.*

# 3

## Install the Mulch Plug or Grass Bag

### No Parts Required

### Procedure

You must correctly install the mulch plug (for mulching or side-discharging) or grass bag (for bagging) or **the engine will not start.**

The mower has a safety switch, located at the bottom of a channel on the top, right rear of the mower, that prevents the mower from operating without a mulch plug or grass bag. This prevents the mower from throwing debris at the operator through the rear chute.

For the switch to detect the presence of the mulch plug, the top of the mulch plug lever must **lie fully** in the **bottom of the channel** (Figure 6).

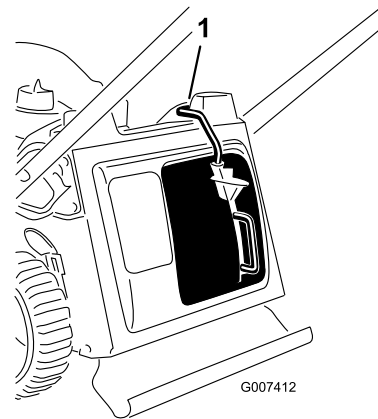


Figure 6

1. Top of mulch plug lever in switch channel

1. Insert the mulch plug into the mower, if it isn't already installed (Figure 7).

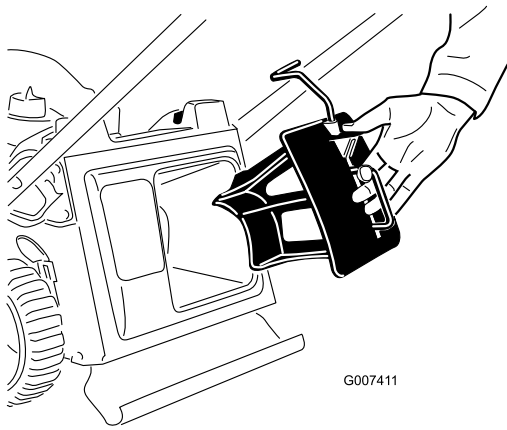


Figure 7

**Note:** If the lever does not latch properly, disconnect the wire from the spark plug and check for and remove any debris buildup in the tunnel.

## Product Overview

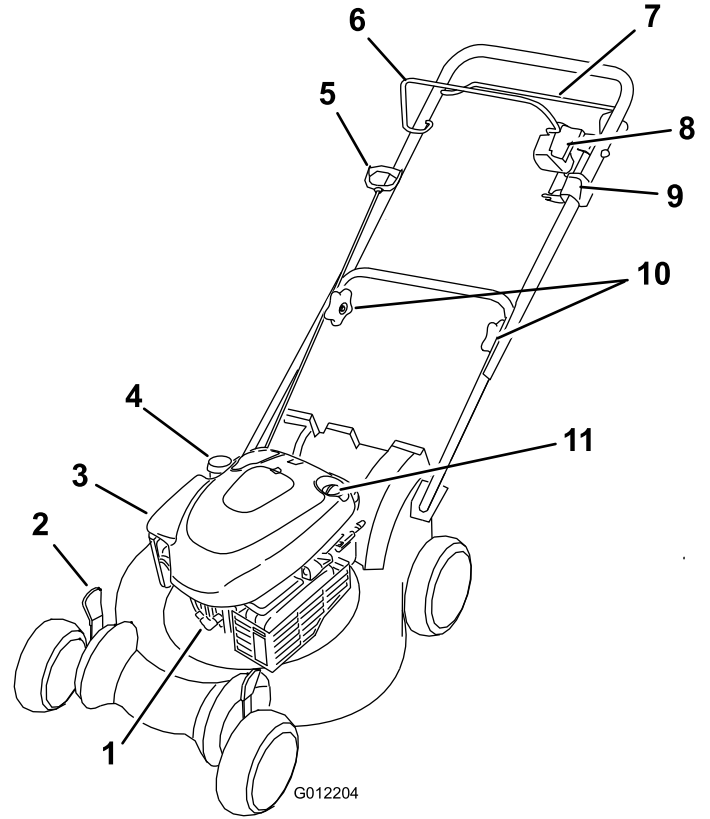


Figure 10

2. Squeeze the button on the lever with your thumb and fully insert the mulch plug into the opening (Figure 8).

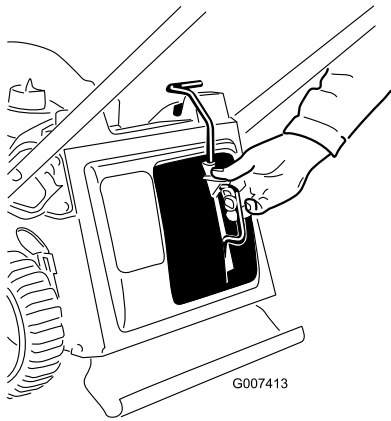


Figure 8

3. Release the button on the lever and ensure that the top of the lever lies fully in the switch channel (Figure 9). **If the top of the lever is not in the switch channel, your mower will not start!**

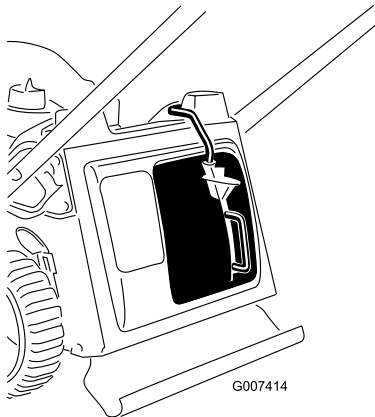


Figure 9

- |                             |                          |
|-----------------------------|--------------------------|
| 1. Spark plug               | 7. Self-propel drive bar |
| 2. Cutting height lever (4) | 8. Blade control button  |
| 3. Air filter               | 9. Ignition switch       |
| 4. Fuel tank cap            | 10. Handle knobs         |
| 5. Recoil start handle      | 11. Oil fill/Dipstick    |
| 6. Blade control bar        |                          |

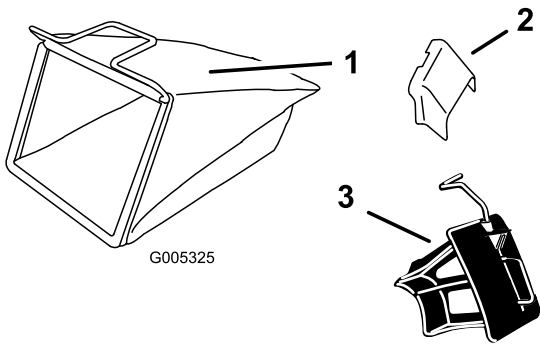


Figure 11

1. Grass bag
2. Side discharge chute
3. Mulch plug (installed)

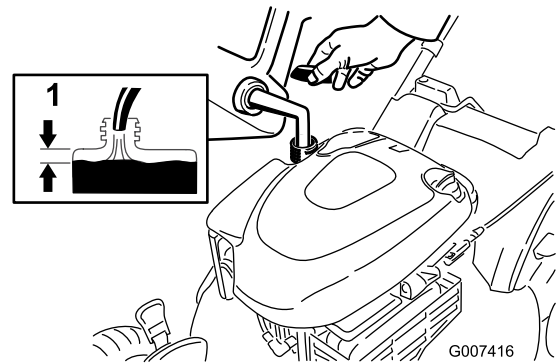


Figure 12

1. 1/2 inch (1 cm)

## Specifications

| Model | Weight           | Length            | Width            | Height            |
|-------|------------------|-------------------|------------------|-------------------|
| 20997 | 82 lb<br>(37 kg) | 62 in<br>(157 cm) | 22 in<br>(56 cm) | 44 in<br>(112 cm) |

## Operation

### Filling the Fuel Tank

#### **▲ DANGER**

Gasoline is extremely flammable and explosive. A fire or explosion from gasoline can burn you and others.

- To prevent a static charge from igniting the gasoline, place the container and/or mower directly on the ground before filling, not in a vehicle or on an object.
- Fill the tank outdoors when the engine is cold. Wipe up spills.
- Do not handle gasoline when smoking or around an open flame or sparks.
- Store gasoline in an approved fuel container, out of the reach of children.

Fill the fuel tank with fresh unleaded regular gasoline from a major name-brand service station (Figure 12).

**Important:** To reduce starting problems, add fuel stabilizer to the fuel all season, mixing it with gasoline less than 30 days old.

## Checking the Engine Oil Level

**Service Interval:** Before each use or daily

1. Remove the dipstick, wipe it clean, and fully install the dipstick (Figure 13).

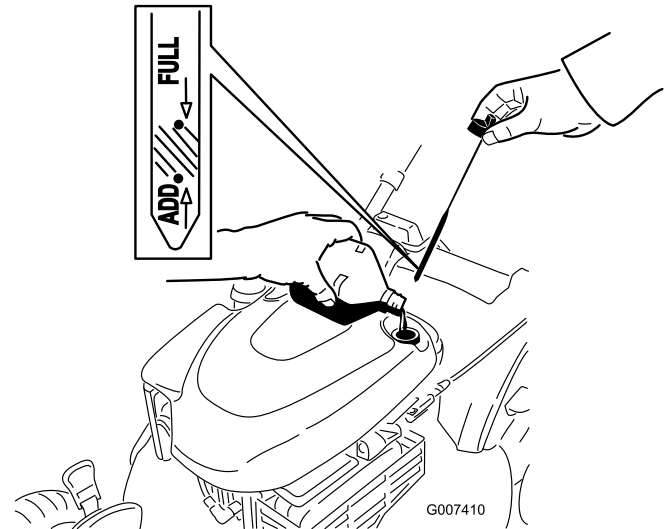


Figure 13

2. Remove the dipstick and check the oil level (Figure 13). If the oil level is below the **Add** mark on the dipstick, slowly pour oil into the oil fill tube to raise the oil level to the **Full** mark on the dipstick. **Do not overfill.** (Max. fill: 20 oz., type: SAE 30 detergent oil with an API service classification of SF, SG, SH, SJ, SL, or higher.)
3. Install the dipstick securely.

# Adjusting the Cutting Height

## ⚠ WARNING

Adjusting the cutting height may bring you into contact with the moving blade, causing serious injury.

- Stop the engine and wait for all moving parts to stop.
- Do not put your fingers under the housing when adjusting the cutting height.

## ⚠ CAUTION

If the engine has been running, the muffler will be hot and can severely burn you. Keep away from the hot muffler.

Adjust the cutting height as desired. Set all four wheels to the same height.

**Note:** To raise the mower, move all 4 cutting height levers forward; to lower the mower, move them all rearward (Figure 14).

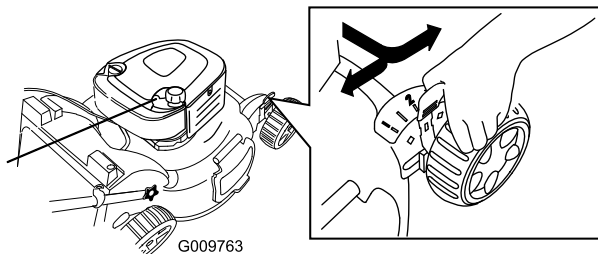


Figure 14

**Note:** The cutting height settings are 1 inch (25 mm); 1-1/2 inches (38 mm); 2 inches (51 mm); 2-1/2 inches (64 mm); 3 inches (76 mm); 3-1/2 inches (89 mm); 4 inches (102 mm); and 4-1/2 inches (114 mm).

# Starting the Engine

**Important:** The mower has a safety switch that prevents you from starting the mower unless you first install the mulch plug or the grass bag securely on the mower.

1. Install the mulch plug (Figure 15) or the grass bag (Figure 16) on the mower.

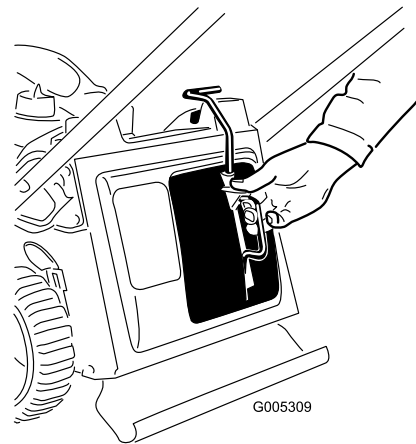


Figure 15

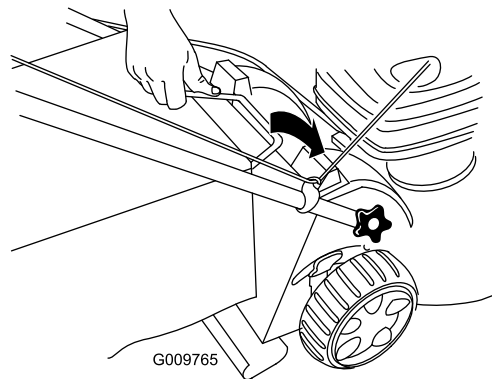


Figure 16

2. If the ignition switch on your mower (Figure 10) is a toggle switch (with both an “I” and a “Stop”), push the switch to the (“I”) position. Otherwise, go to step 3.
3. Pull the recoil starter until you feel resistance, then pull it sharply (Figure 17).

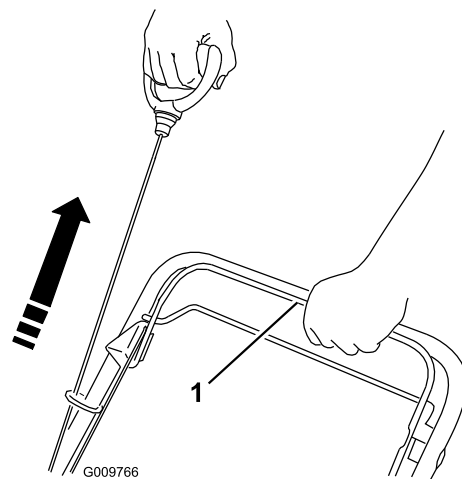


Figure 17

1. Blade control bar

**Note:** If the mower does not start, contact an Authorized Service Dealer.

## Using the Self-propel Drive

To operate the self-propel drive, squeeze the self-propel drive bar (Figure 18) toward the handle and hold it.

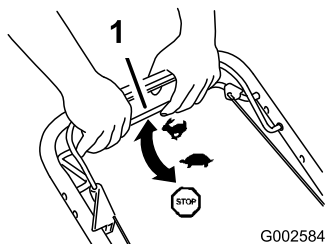


Figure 18

1. Self-propel drive bar

To disengage the self-propel drive, release the self-propel drive bar.

**Note:** The maximum self-propel ground speed is fixed. To reduce the ground speed, increase the space between the self-propel drive bar and the handle.

## Stopping the Engine

**Service Interval:** Before each use or daily—Ensure that the engine stops within 3 seconds after releasing the blade control bar.

If the ignition switch on your mower (Figure 10) is a toggle switch (with both an “I” and a “Stop”), push the switch to the Stop position. Otherwise, hold down the ignition switch in the Stop position until the engine stops.

**Important:** When you release the blade control bar, both the engine and blade should stop within 3 seconds. If they do not stop properly, stop using your mower immediately and contact an Authorized Service Dealer.

## Engaging the Blade

**Note:** When you start your engine, the blade does not turn. You must engage the blade to mow.

Push the blade control button and pull the blade control bar back to the handle (Figure 19).

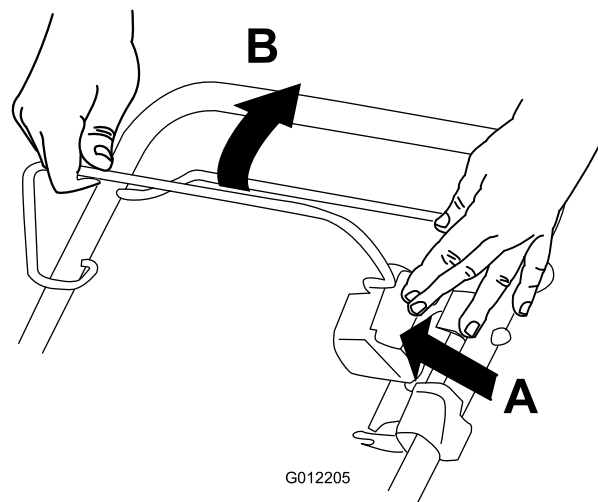


Figure 19

## Disengaging the Blade

Release the blade control bar.

**Important:** When you release the blade control bar, the blade should stop within 3 seconds. If it does not stop properly, stop using your mower immediately and contact an Authorized Service Dealer.

## Checking the Blade Brake Clutch Operation

Check the control bar before each use to ensure that the blade brake clutch system is operating properly.

## Using the Grass Bag

**Service Interval:** Before each use or daily

You can use the grass bag to perform an additional test to check the blade brake clutch.

1. Install the empty grass bag on the mower.
2. Start the engine.
3. Engage the blade.

**Note:** The bag should begin to inflate, indicating that the blade is engaged and rotating.

4. Release the blade control bar.

**Note:** If the bag does not immediately deflate, the blade is still rotating. The blade brake clutch may be deteriorating and, if ignored, could result in an unsafe operating condition. Have the mower inspected and serviced by an Authorized Service Dealer.

5. Stop the engine and wait for all moving parts to stop.

## Not Using the Grass Bag

1. Move the mower onto a paved surface in a non-windy area.
2. Set all 4 wheels to the 3-1/4 inch (83 mm) cut setting.
3. Take a half sheet of newspaper and crumple it into a ball small enough to go under the mower housing (about 3 inches or 76 mm in diameter).
4. Place the newspaper ball about 5 inches (13 cm) in front of the mower.
5. Start the engine.
6. Engage the blade.
7. Release the blade control bar.
8. Immediately push the mower over the newspaper ball.
9. Stop the engine and wait for all moving parts to stop.
10. Go to the front of the mower and check the newspaper ball.

**Note:** If the newspaper ball did not go under the mower, repeat steps through .

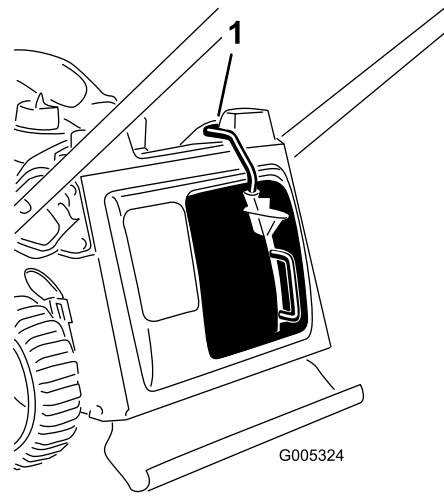
11. If the newspaper is unravelled or shredded, the blade did not stop properly, which could result in an unsafe operating condition. Contact an Authorized Service Dealer.

## Mulching the Clippings

Your mower comes from the factory ready to mulch the grass and leaf clippings back into the lawn.

If the grass bag is on the mower, remove it (refer to Removing the Grass Bag) before mulching the clippings. If the side discharge chute is on the mower, remove it and lock the side discharge door (refer to Removing the Side Discharge Chute) before mulching the clippings.

**Important:** The mower has a safety switch that prevents you from starting the mower unless you first install the mulch plug securely on the mower (Figure 20).



**Figure 20**

1. Top of mulch plug lever in switch channel

## Bagging the Clippings

Use the grass bag when you want to collect grass and leaf clippings from the lawn.

If the side discharge chute is on the mower, remove it and lock the side discharge door (refer to Removing the Side Discharge Chute) before bagging the clippings.

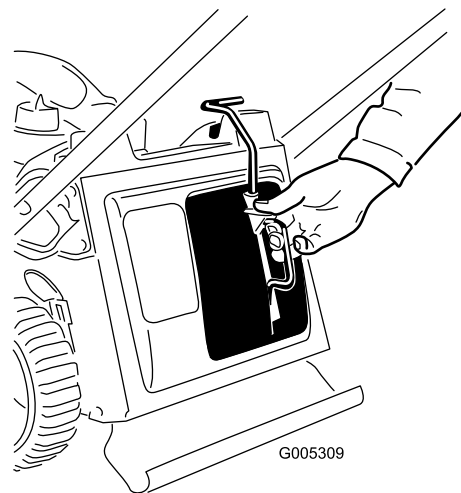
### **▲ WARNING**

The blade is sharp; contacting the blade can result in serious personal injury.

Stop the engine and wait for all moving parts to stop before leaving the operating position.

## Installing the Grass Bag

1. Remove the mulch plug (Figure 21).



**Figure 21**

2. Route the starter rope around the lower rope guide (Figure 22).

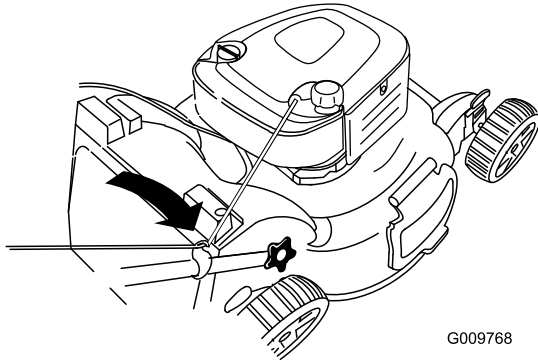


Figure 22

**Note:** The lower rope guide releases the starter rope when you pull the recoil start handle.

3. Insert the grass bag handle into the grooves at the top of the mower (Figure 23).

**Important:** The mower has a safety switch that prevents you from starting the mower unless you first install the grass bag securely on the mower.

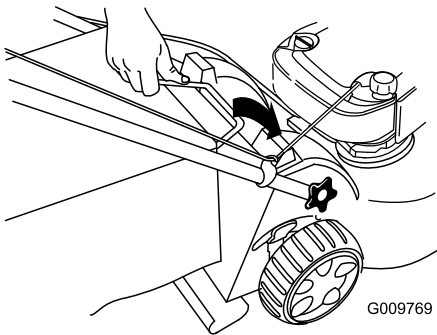


Figure 23

## Removing the Grass Bag

1. Route the starter rope around the lower rope guide (Figure 24).

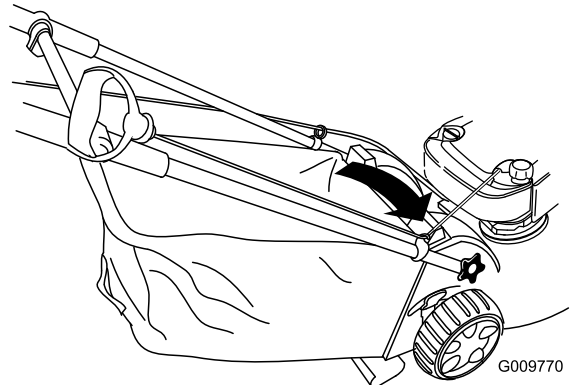


Figure 24

2. Lift the grass bag handle out from the grooves at the top of the mower and remove the bag from the mower (Figure 25).

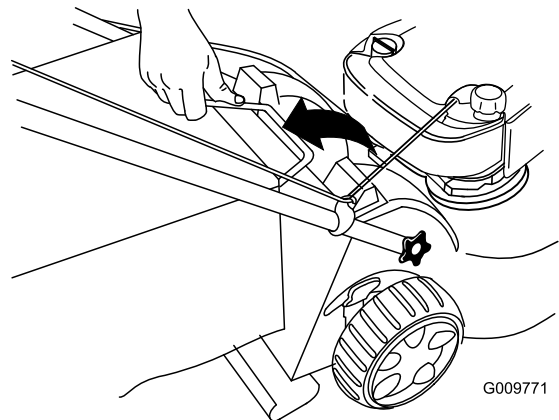


Figure 25

3. Insert the mulch plug (Figure 26).

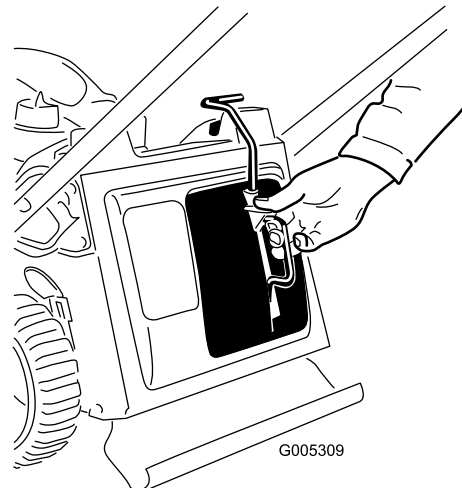


Figure 26

## Side-discharging the Clippings

Use the side discharge for cutting very tall grass.

If the bag is on the mower, remove it and insert the mulch plug (refer to Removing the Grass Bag) before side-discharging the clippings.

**Important:** The mower has a safety switch that prevents you from starting the mower unless you first install the mulch plug securely on the mower (refer to Mulching the Clippings).

## Installing the Side Discharge Chute

1. Unlock the side discharge door (Figure 27).

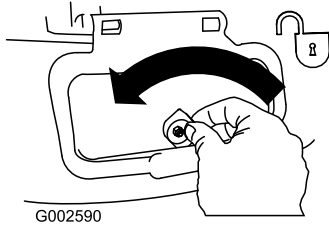


Figure 27

2. Lift open the side discharge door (Figure 28).

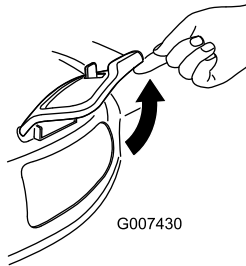


Figure 28

3. Install the side discharge chute and close the door onto the chute (Figure 29).

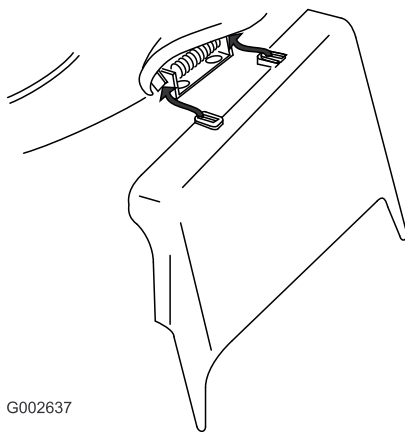


Figure 29

## Removing the Side Discharge Chute

To remove the side discharge chute, reverse the steps above.

**Important:** Lock the side discharge door after you close it (Figure 30).

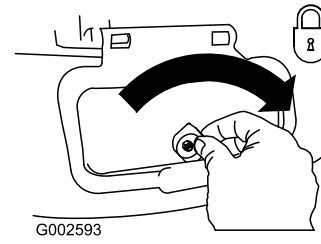


Figure 30

## Operating Tips

### General Mowing Tips

- Clear the area of sticks, stones, wire, branches, and other debris that the blade could hit.
- Avoid striking solid objects with the blade. Never deliberately mow over any object.
- If the mower strikes an object or starts to vibrate, immediately stop the engine, disconnect the wire from the spark plug, and examine the mower for damage.
- For best performance, install a new blade before the cutting season begins.
- Replace the blade when necessary with a Toro replacement blade.

### Cutting Grass

- Cut only about a third of the grass blade at a time. Do not cut below the 2 inch (51 mm) setting unless the grass is sparse or it is late fall when grass growth begins to slow down. Refer to Adjusting the Cutting Height.
- When cutting grass over 6 inches (15 cm) tall, mow at the highest cutting height setting and walk slower; then mow again at a lower setting for the best lawn appearance. If the grass is too long, the mower may plug and cause the engine to stall.
- Mow only dry grass or leaves. Wet grass and leaves tend to clump on the yard and can cause the mower to plug or the engine to stall.

### **⚠ WARNING**

Wet grass or leaves can cause serious injury if you slip and contact the blade. Mow only in dry conditions.

- Alternate the mowing direction. This helps disperse the clippings over the lawn for even fertilization.
- If the finished lawn appearance is unsatisfactory, try one or more of the following:
  - Replace the blade or have it sharpened.
  - Walk at a slower pace while mowing.
  - Raise the cutting height on your mower.
  - Cut the grass more frequently.
  - Overlap cutting swaths instead of cutting a full swath with each pass.
  - Set the cutting height on the front wheels one notch lower than the rear wheels. For example,

set the front wheels at 2 inches (51 mm) and the rear wheels at 2-1/2 inches (64 mm).

## Cutting Leaves

- After cutting the lawn, ensure that half of the lawn shows through the cut leaf cover. You may need to make more than one pass over the leaves.
- If there are more than 5 inches (13 cm) of leaves on the lawn, set the front cutting height one or two notches higher than the rear cutting height.
- Slow down your mowing speed if the mower does not cut the leaves finely enough.

# Maintenance

**Note:** Determine the left and right sides of the machine from the normal operating position.

## Recommended Maintenance Schedule(s)

| Maintenance Service Interval | Maintenance Procedure   |
|------------------------------|---|
| After the first 5 hours      | <ul style="list-style-type: none"> <li>• Change the engine oil.</li> </ul>  |
| Before each use or daily     | <ul style="list-style-type: none"> <li>• Check the engine oil level.</li> <li>• Ensure that the engine stops within 3 seconds after releasing the blade control bar.</li> <li>• Check the blade brake clutch operation.</li> <li>• Clean grass clippings and dirt from under the mower.</li> </ul>                  |
| Every 25 hours               | <ul style="list-style-type: none"> <li>• Replace the air filter; replace it more frequently in dusty operating conditions.</li> </ul>   |
| Before storage               | <ul style="list-style-type: none"> <li>• Empty the fuel tank before repairs as directed and before annual storage.</li> </ul>   |
| Yearly                       | <ul style="list-style-type: none"> <li>• Change the engine oil.</li> <li>• Lubricate the wheel gears.</li> <li>• Replace the blade or have it sharpened (more frequently if the edge dulls quickly).</li> <li>• Refer to your Engine Operator's Manual for any additional yearly maintenance procedures.</li> </ul> |

**Important:** Refer to your *Engine Operator's Manual* for additional maintenance procedures.

## Preparing for Maintenance

1. Stop the engine and wait for all moving parts to stop.
2. Disconnect the spark plug wire from the spark plug (Figure 31) before performing any maintenance procedure.

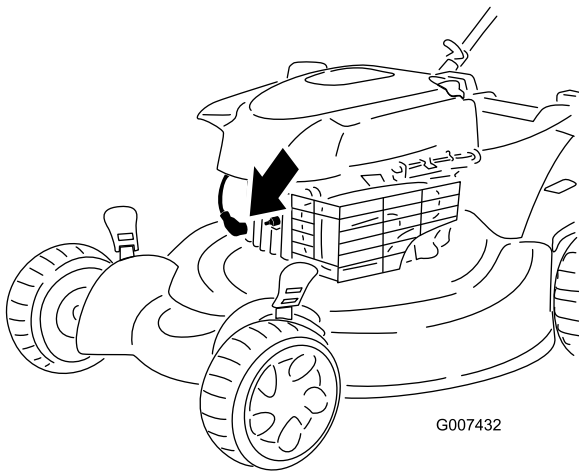


Figure 31

3. After performing the maintenance procedure(s), connect the spark plug wire to the spark plug.

**Important:** Before tipping the mower to change the oil or replace the blade, allow the fuel tank to run dry through normal usage. If you must tip the mower prior to running out of fuel, use a hand fuel pump to remove the fuel. Always tip the mower onto its side with the air filter up.

**⚠ WARNING**

Tipping the mower may cause the fuel to leak. Gasoline is flammable, explosive and can cause personal injury.

Run the engine dry or remove the gasoline with a hand pump; never siphon.

## Replacing the Air Filter

**Service Interval:** Every 25 hours

Replace the air filter yearly; replace it more frequently in dusty operating conditions. Refer to Preparing for Maintenance.

1. Use a screw driver to open the air filter cover (Figure 32).

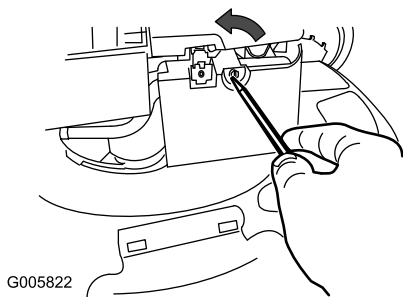


Figure 32

2. Replace the air filter (Figure 33).

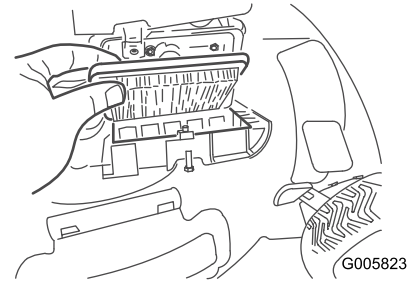


Figure 33

3. Install the cover.

## Changing the Engine Oil

**Service Interval:** After the first 5 hours

Yearly

Run the engine a few minutes before changing the oil to warm it. Warm oil flows better and carries more contaminants.

1. Perform the pre-maintenance procedures; refer to Preparing for Maintenance.
2. Remove the dipstick (Figure 34).

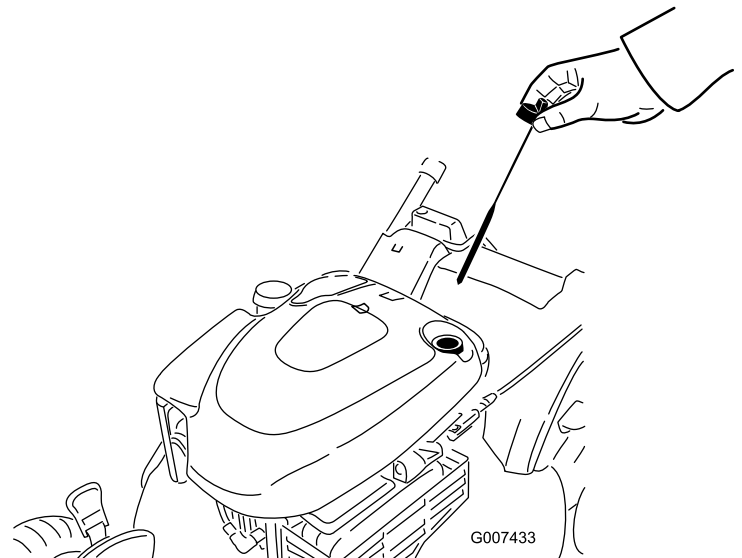
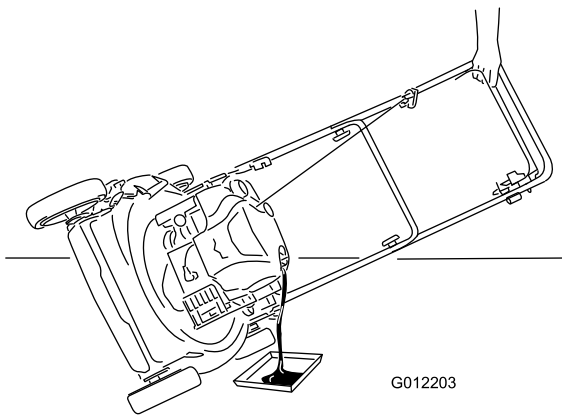


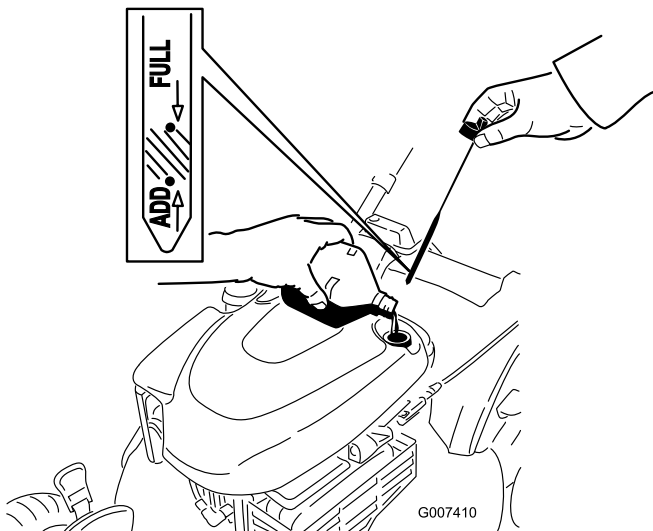
Figure 34

3. Tip the mower onto its side, with the air filter up, to drain the used oil out through the oil fill tube (Figure 35).



**Figure 35**

4. Slowly pour oil into the oil fill tube until the oil level reaches the **Full** line on the dipstick (Figure 36). **Do not overfill.** (Max. fill: 20 oz., type: SAE 30 detergent oil with an API service classification of SF, SG, SH, SJ, SL, or higher.)



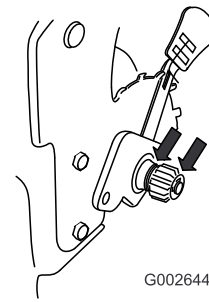
**Figure 36**

5. Install the dipstick securely.
6. Dispose of the used oil properly at a local recycling center.

## Lubricating the Wheel Gears

**Service Interval:** Yearly

1. Remove the wheel bolt in the center of each **rear** wheel and remove the rear wheels.
2. Apply a lubricating oil to the inner and outer sides of the gear as shown in Figure 37.



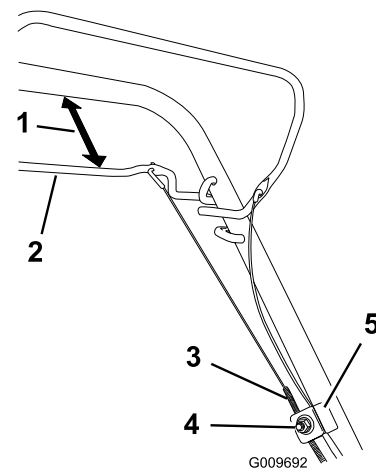
**Figure 37**

3. Install the rear wheels.

## Adjusting the Self-propel Drive Cable

Whenever you install a new self-propel cable or if the self-propel drive is out of adjustment, adjust the self-propel drive cable.

1. Loosen the cable support nut (Figure 38).



**Figure 38**

1. 1 to 1-1/2 inches (25 to 38 mm)
  2. Self-propel drive bar
  3. Cable jacket
  4. Cable support nut
  5. Cable support
2. Hold the self-propel bail 1 to 1-1/2 inches (25 to 38 mm) from the handle (Figure 38).
  3. Pull down the cable jacket (toward the mower) until there is no slack in the cable (Figure 38).
  4. Tighten the nut on the cable support.
  5. Release the self-propel drive bar and ensure that the cable is loose.

**Note:** The cable must be loose with the self-propel drive bar in the released position; otherwise, the mower may creep when the bar is disengaged.

# Replacing the Blade

Service Interval: Yearly

**Important:** You will need a torque wrench to install the blade properly. If you do not have a torque wrench or are uncomfortable performing this procedure, contact an Authorized Service Dealer.

Examine the blade whenever you run out of gasoline. If the blade is damaged or cracked, replace it immediately. If the blade edge is dull or nicked, have it sharpened or replace it.

## ⚠ WARNING

The blade is sharp; contacting the blade can result in serious personal injury.

Wear gloves when servicing the blade.

1. Disconnect the spark plug wire from the spark plug. Refer to Preparing for Maintenance.
2. Tip the mower onto its side, with the air filter up.
3. Use a block of wood to hold the blade steady (Figure 39).

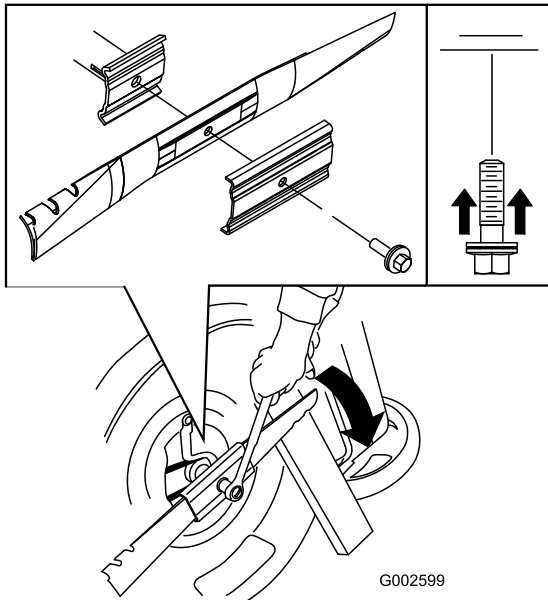


Figure 39

4. Remove the blade, saving all mounting hardware (Figure 39).
  5. Install the new blade and all mounting hardware (Figure 39).
- Important:** Position the curved ends of the blade to point toward the mower housing.
6. Use a torque wrench to tighten the blade bolt to 60 ft-lb (82 N-m).

**Important:** A bolt torqued to 60 ft-lb (82 N-m) is very tight. While holding the blade with a block of wood, put your weight behind the ratchet or wrench and tighten the bolt securely. This bolt is very difficult to overtighten.

# Cleaning the Mower

Service Interval: Before each use or daily

## ⚠ WARNING

The mower may dislodge material from under the mower housing.

- Wear eye protection.
  - Stay in the operating position (behind the handle).
  - Do not allow bystanders in the area.
1. With the engine running on a flat paved surface, spray a stream of water in front of the **right** rear wheel (Figure 40).

**Note:** The water will splash into the path of the blade, cleaning out the clippings.

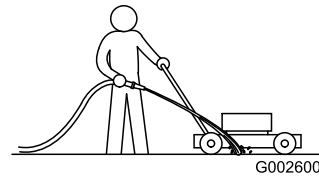


Figure 40

2. When no more clippings come out, stop the water and move the mower to a dry area.
3. Run the engine for a few minutes to dry the housing to prevent it from rusting.

# Storage

Store the mower in a cool, clean, dry place.

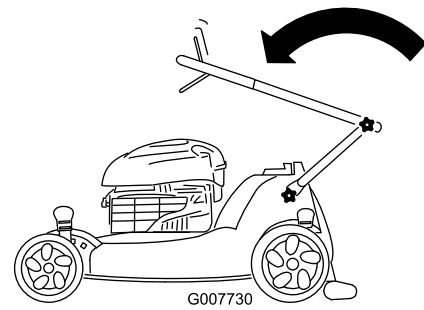
# Preparing the Mower for Storage

## ⚠ WARNING

Gasoline vapors can explode.

- Do not store gasoline more than 30 days.
- Do not store the mower in an enclosure near an open flame.
- Allow the engine to cool before storing it.

1. On the last refueling of the year, add fuel stabilizer to the fuel as directed by the engine manufacturer.
2. Run the mower until the engine stops from running out of fuel.
3. Prime the engine and start it again.
4. Allow the engine to run until it stops. When you can no longer start the engine, it is sufficiently dry.
5. Disconnect the wire from the spark plug and connect the wire onto the retaining post.
6. Remove the spark plug, add 1 oz. (30 ml) of oil through the spark plug hole, and pull the starter rope **slowly** several times to distribute oil throughout the cylinder to prevent cylinder corrosion during the off-season.
7. Install the spark plug and tighten it with a torque wrench to 15 ft-lb (20 N-m).
8. Tighten all nuts, bolts, and screws.



**Figure 42**

3. To unfold the handle, reverse the steps above.

## Removing the Mower from Storage

Connect the wire to the spark plug.

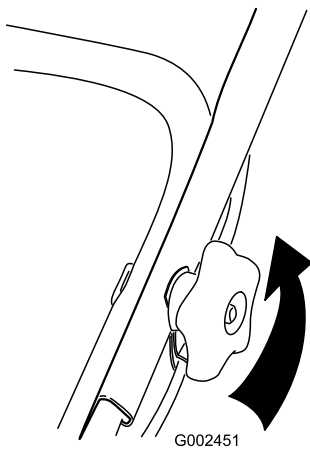
## Folding the Handle

### **⚠ WARNING**

Folding or unfolding the handle improperly can damage the cables, causing an unsafe operating condition.

- Do not damage the cables when folding or unfolding the handle.
- If a cable is damaged, contact an Authorized Service Dealer.

1. Loosen the handle knobs until you can move the upper handle freely (Figure 41).



**Figure 41**

2. Fold the upper handle forward as shown in Figure 42.

## International Distributor List

| <b>Distributor:</b>                  | <b>Country:</b>      | <b>Phone Number:</b> |
|--------------------------------------|----------------------|----------------------|
| Atlantis Su ve Sulama Sisstemleri Lt | Turkey               | 90 216 344 86 74     |
| Balama Prima Engineering Equip.      | Hong Kong            | 852 2155 2163        |
| B-Ray Corporation                    | Korea                | 82 32 551 2076       |
| Casco Sales Company                  | Puerto Rico          | 787 788 8383         |
| Ceres S.A.                           | Costa Rica           | 506 239 1138         |
| CSSC Turf Equipment (pvt) Ltd.       | Sri Lanka            | 94 11 2746100        |
| Cyril Johnston & Co.                 | Northern Ireland     | 44 2890 813 121      |
| Equiver                              | Mexico               | 52 55 539 95444      |
| Femco S.A.                           | Guatemala            | 502 442 3277         |
| G.Y.K. Company Ltd.                  | Japan                | 81 726 325 861       |
| Geomechaniki of Athens               | Greece               | 30 10 935 0054       |
| Guandong Golden Star                 | China                | 86 20 876 51338      |
| Hako Ground and Garden               | Sweden               | 46 35 10 0000        |
| Hako Ground and Garden               | Norway               | 47 22 90 7760        |
| Hayter Limited (U.K.)                | United Kingdom       | 44 1279 723 444      |
| Hydroturf Int. Co Dubai              | United Arab Emirates | 97 14 347 9479       |
| Hydroturf Egypt LLC                  | Egypt                | 202 519 4308         |
| Ibea S.P.A.                          | Italy                | 39 0331 853611       |
| Irriamc                              | Portugal             | 351 21 238 8260      |
| Irrigation Products Int'l Pvt Ltd.   | India                | 86 22 83960789       |
| Jean Heybroek b.v.                   | Netherlands          | 31 30 639 4611       |
| Lely (U.K.) Limited                  | United Kingdom       | 44 1480 226 800      |
| Maquiver S.A.                        | Colombia             | 57 1 236 4079        |
| Maruyama Mfg. Co. Inc.               | Japan                | 81 3 3252 2285       |
| Metra Kft                            | Hungary              | 36 1 326 3880        |
| Mountfield a.s.                      | Czech Republic       | 420 255 704 220      |
| Munditol S.A.                        | Argentina            | 54 11 4 821 9999     |
| Oslinger Turf Equipment SA           | Ecuador              | 593 4 239 6970       |
| Oy Hako Ground and Garden Ab         | Finland              | 358 987 00733        |
| Parkland Products Ltd.               | New Zealand          | 64 3 34 93760        |
| Prochaska & Cie                      | Austria              | 43 1 278 5100        |
| RT Cohen 2004 Ltd.                   | Israel               | 972 986 17979        |
| Riversa                              | Spain                | 34 9 52 83 7500      |
| Roth Motorgerate GmBh & Co.          | Germany              | 49 7144 2050         |
| Sc Svend Carlsen A/S                 | Denmark              | 45 66 109 200        |
| Solvart S.A.S.                       | France               | 33 1 30 81 77 00     |
| Spypros Stavrinides Limited          | Cyprus               | 357 22 434131        |
| Surge Systems India Limited          | India                | 91 1 292299901       |
| T-Markt Logistics Ltd.               | Hungary              | 36 26 525 500        |
| Toro Australia                       | Australia            | 61 3 9580 7355       |
| Toro Europe BVBA                     | Belgium              | 32 14 562 960        |



# The Toro Warranty

## Conditions and Products Covered

The Toro® Company and its affiliate, Toro Warranty Company, pursuant to an agreement between them, jointly promise to repair the Toro Product listed below if used for residential purposes\* if defective in materials or workmanship.

The following time periods apply from the date of purchase:

| <b>Products</b>             | <b>Warranty Period</b>  |
|-----------------------------|-------------------------|
| Walk Power Mowers           | 2 year limited warranty |
| Rear Engine Riders          | 2 year limited warranty |
| Lawn & Garden Tractors      | 2 year limited warranty |
| Electric Hand Held Products | 2 year limited warranty |
| Snowthrowers                | 2 year limited warranty |
| Consumer Zero Turn          | 2 year limited warranty |

\*Original Purchaser means the person who originally purchased the Toro Product

\*Residential purposes means use of the product on the same lot as your home. Use at more than one location, or institutional or rental use, is considered commercial use, and the commercial use warranty would apply.

## Limited Warranty for Commercial Use

Toro Consumer Products and attachments used for commercial, institutional, or rental use, are warranted against defects in materials or workmanship for the following time periods from the date of original purchase:

| <b>Products</b>             | <b>Warranty Period</b> |
|-----------------------------|------------------------|
| Walk Power Mowers           | 90 day warranty        |
| Rear Engine Riders          | 90 day warranty        |
| Lawn & Garden Tractors      | 90 day warranty        |
| Electric Hand Held Products | 90 day warranty        |
| Snowthrowers                | 90 day warranty        |
| Consumer Zero Turn          | 45 day warranty        |

## Instructions for Obtaining Warranty Service

If you think that your Toro Product contains a defect in materials or workmanship, follow this procedure:

1. Contact your seller to arrange service of the product. If for any reason it is impossible for you to contact your seller, you may contact any Toro Authorized Distributor to arrange service.
2. Bring the product and your proof of purchase (sales receipt) to the Service Dealer. If for any reason you are dissatisfied with the Service Dealer's analysis or with the assistance provided, contact us at:

Customer Care Department, Consumer Division  
 The Toro Company  
 8111 Lyndale Avenue South  
 Bloomington, MN 55420-1196  
 Manager: Technical Product Support: 001-952-887-8248

See attached Distributor List

## Owner Responsibilities

You must maintain your Toro Product by following the maintenance procedures described in the *Operator's Manual*. Such routine maintenance, whether performed by a dealer or by you, is at your expense.

## Items and Conditions Not Covered

This express warranty does not cover the following:

- Cost of regular maintenance service or wear parts, such as rotor blades (paddles), scraper blades, belts, fuel, lubricants, oil changes, spark plugs, cable/linkage or brake adjustments
- Any product or part which has been altered or misused and requires replacement or repair due to accidents or lack of proper maintenance
- Repairs necessary due to failure to use fresh fuel (less than one month old), or failure to properly prepare the unit prior to any period of non-use over one month
- Engine and transmission. These are covered by the appropriate manufacturer's guarantees with separate terms and conditions

All repairs covered by these warranties must be performed by an Authorized Toro Service Dealer using Toro approved replacement parts.

## General Conditions

The purchaser is covered by the national laws of each country. The rights to which the purchaser is entitled with the support of these laws are not restricted by this warranty.



# 53 cm sekačka na trávu Recycler®

Číslo modelu 20997—Výrobní číslo 310000001 a vyšší

Návod k obsluze

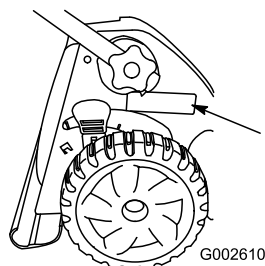
## Úvod

Tato rotační, ručně vedená sekačka na trávu je vhodná pro soukromé majitele pozemků. Je určena primárně k sečení trávy na dobře udržovaných trávnících soukromých pozemků. Není určena k sekání křovin ani k zemědělskému použití.

Přečtěte si pečlivě následující informace, abyste věděli, jak máte správně používat a pečovat o svůj výrobek a jak se vyhnout zranění a poškození výrobku. Za správný a bezpečný provoz výrobku nese odpovědnost majitel.

Máte-li zájem o informace o výrobku a příslušenství, o pomoc při hledání prodejce nebo o registraci vašeho výrobku, můžete kontaktovat Toro přímo na [www.Toro.com](http://www.Toro.com).

Kdykoli budete potřebovat servis, originální náhradní díly Toro nebo doplňující informace, kontaktujte autorizované servisní středisko nebo centrum zákaznických služeb Toro a mějte připravené typové a sériové číslo. Obrázek 1 znázorňuje umístění typového a sériového čísla na výrobku.



Obrázek 1

1. Štítek s typovým a sériovým číslem

Vepište typové a sériové číslo výrobku do mezery níže:

|                     |
|---------------------|
| Číslo modelu _____  |
| Výrobní číslo _____ |

Tato příručka upozorňuje na potenciální rizika a obsahuje bezpečnostní sdělení s výstražným symbolem (Obrázek 2), který signalizuje nebezpečí vážného zranění nebo smrti v případě nedodržování doporučených bezpečnostních opatření.



Obrázek 2

1. Výstražný symbol

V této příručce jsou pro zdůraznění informací používána dvě slova. **Důležité** upozorňuje na speciální technické informace a **Poznámka** zdůrazňuje obecné informace, které stojí za zvláštní pozornost.

Tento výrobek splňuje všechny relevantní směrnice Evropské unie. Podrobnosti najdete na příslušném Prohlášení o shodě pro tento výrobek.

U modelů, kde je uveden výkon motoru, byl celkový výkon laboratorně stanoven výrobcem motoru v souladu s normami SAE J1940. V souladu s bezpečnostními, emisními a provozními požadavky byl efektivní výkon motoru u sekačky této třídy nastaven na výrazně nižší hodnotu.

Neprovádějte nedovolené změny na řídicích prvcích motoru a neměňte otáčky nastavené regulátorem, jinak může vzniknout nebezpečný stav a dojít ke zranění osob.

## Bezpečnost

Nesprávné používání nebo údržba této sekačky může způsobit zranění. Aby se snížilo riziko zranění, dodržujte tyto bezpečnostní pokyny.

Tato sekačka byla zkonstruována a testována pro bezpečný provoz, nicméně nedodržení následujících pokynů může mít za následek zranění osob.

**Pro zajištění maximální bezpečnosti a výkonnosti a pro obeznámení se s výrobkem je nezbytné, abyste si vy a všichni ostatní provozovatelé sekačky přečetli a pochopili obsah této příručky ještě před spuštěním motoru. Věnujte zvláštní pozornost výstražnému symbolu (Obrázek 2), který znamená Upozornění, Výstraha nebo Nebezpečí – bezpečnostní pokyn“. Přečtěte si tento pokyn a porozumějte mu, protože se týká bezpečnosti. Nedodržení tohoto pokynu může mít za následek zranění osob.**

# Obecné bezpečnostní informace o sekačce

Následující pokyny byly převzaty ze směrnice EN 836.

Tato sekačka může amputovat ruce a nohy a vrhat předměty. Nedodržování následujících bezpečnostních pokynů může mít za následek vážné zranění nebo smrt.

## Zaškolení

- Pečlivě si přečtěte pokyny. Seznamte se dokonale s ovládacími prvky tohoto zařízení a s jeho správným použitím.
- Nikdy nedovolte, aby sekačku používaly děti nebo osoby, které nejsou obeznámeny s těmito pokyny. Místní předpisy mohou určovat věkovou hranici provozovatele.
- Mějte na paměti, že provozovatel nebo uživatel nese odpovědnost za nehody nebo ohrožení jiných osob nebo jejich majetku.
- Porozumějte výkladu všech symbolů použitých na sekačce nebo v pokynech.

## Palivo

**VÝSTRAHA** – Palivo je vysoce hořlavé. Používejte následující bezpečnostní opatření.

- Skladujte palivo ve speciálních nádobách určených pro tento účel.
- Tankujte palivo pouze venku a při tankování nekuřte.
- Před spuštěním motoru doplňte palivo. Nikdy nesundávejte uzávěr palivové nádrže ani nedoplňujte palivo, pokud běží motor nebo pokud je motor zahřátý.
- V případě rozlití paliva nespouštějte motor. Přemístěte sekačku z prostoru, kde došlo k rozlití, a zabraňte možnosti vzniku požáru, dokud se výpary paliva nerozptýlí.
- Nasadte bezpečně všechny uzávěry zpět na palivovou nádrž a nádoby na palivo.

## Příprava

- Při sekání vždy noste pevnou obuv a dlouhé kalhoty. Se zařízením nepracujte bosí ani v sandálech.
- Zkontrolujte důkladně místo, kde budete zařízení používat, a odstraňte veškeré kameny, větve, dráty, kosti a jiné cizí předměty.
- Před použitím se vizuální kontrolou přesvědčete, zda ochranné kryty a bezpečnostní prvky, jako například

deflektory a/nebo sběrací koš, jsou na místě a správně fungují.

- Před použitím se vždy vizuálně přesvědčete, zda žací nože, upevňovací šrouby nožů a žací ústrojí nejsou opotřebované nebo poškozené. Opotřebované nebo poškozené žací nože a šrouby vyměňujte po celých sadách, aby byla zachována mechanická rovnováha.

## Startování

- Při startování sekačku nenaklánějte, pakliže naklonění sekačky není pro její nastartování nezbytné. V takovém případě nenaklánějte sekačku více, než je naprosto nezbytné, a zvedněte pouze tu část, která je na straně od operátora.
- Startujte motor opatrně v souladu s pokyny, nohy přitom mějte dostatečně daleko od žacích nožů a nestůjte před vyhazovacím kanálem.

## Provoz

- Nikdy nesekejte, jsou-li nablízku osoby, zejména děti, nebo zvířata.
- Sekejte pouze za denního světla nebo při dobrém umělém osvětlení.
- Dávejte pozor na díry v zemi a jiné skryté překážky.
- Nedávejte ruce nebo nohy do blízkosti rotujících částí nebo pod ně. Držte se v bezpečné vzdálenosti od vyhazovacího otvoru.
- Nikdy sekačku nezvedejte ani nepřenášejte, je-li spuštěný motor.
- Při couvání nebo tažení ruční sekačky směrem k sobě buďte maximálně opatrní.
- Pohybujte se chůzí, nikdy během.
- Svahy:
  - Nepoužívejte sekačku na příliš strmých svazích.
  - Při práci na svazích buďte maximálně opatrní.
  - Pracujte se sekačkou vždy po vrstevnici, nikdy ne po spádnicí, a při změně směru na svahu buďte mimořádně opatrní.
  - Při práci na svazích vždy dbejte na pevnou oporu nohou.
- Na svazích a v ostrých zatáčkách snižte rychlost, aby nedošlo k převrácení nebo ztrátě kontroly nad strojem.
- Je-li nezbytné sekačku naklonit kvůli přejíždění nezatravněných ploch nebo kvůli přemístění sekačky z místa na místo, zastavte žací nůž.

- Nenechávejte běžet motor v uzavřeném prostoru, kde se mohou hromadit výfukové plyny obsahující nebezpečný oxid uhelnatý.
- Vypněte motor
  - pokaždé, když sekačku opouštíte.
  - před doplňováním paliva.
  - před snímáním sběracího koše.
  - před nastavováním výšky sekání, pokud výšku nelze nastavit z pozice operátora.
- Vypněte motor a odpojte koncovku zapalovací svíčky.
  - budete-li čistit nebo uvolňovat ucpaný vyhazovací kanál.
  - budete-li sekačku kontrolovat, čistit nebo na ní provádět práce.
  - po nárazu na cizí předmět, zjistěte případné poškození sekačky a proveďte opravy před opětovným spuštěním a používáním stroje.
  - pokud sekačka nezvykle vibruje (okamžitě zkontrolujte).
- Blesk může způsobit vážné zranění nebo smrt. Pokud vidíte, jak se blýská, nebo slyšíte hřmění, stroj nepoužívejte a vyhledejte úkryt.
- Při přejíždění silnic nebo v jejich blízkosti dávejte pozor na provoz.
- Palivovou nádrž vyprazdňujte ve venkovním prostoru.
- Neměňte nastavení regulátoru motoru a nepřekračujte normální otáčky motoru. Provoz při nadměrných otáčkách motoru může zvýšit riziko zranění.
- U sekaček s větším počtem žacích nožů buďte opatrní, neboť rotace jednoho nože může způsobit rotaci ostatních nožů.
- Při seřizování sekačky dávejte pozor, aby vám prsty neuvízly mezi pohybujícími se noži a pevnými součástmi sekačky.
- **Aby byla zajištěna maximální výkonnost a bezpečnost, kupujte pouze originální náhradní díly a příslušenství Toro. Nepoužívejte neoriginální náhradní díly a příslušenství; mohou představovat bezpečnostní riziko.**

## Údržba a skladování

- Všechny matice a šrouby musejí být dotažené, aby zařízení bylo v bezpečném provozním stavu.
- Nečistěte sekačku pomocí zařízení pro tlakové mytí.
- Nikdy sekačku neskladujte s palivem v nádrži a uvnitř budovy, kde by výpary mohly přijít do kontaktu s otevřeným ohněm nebo jiskrou.
- Před uskladněním v uzavřeném prostoru nechte vychladnout motor.
- Kvůli snížení rizika požáru je zapotřebí z motoru, tlumiče výfuku, prostoru pro baterii a prostoru palivové nádrže odstranit zbytky trávy, listí a přebytečného oleje.
- Pravidelně kontrolujte součásti sběracího koše a vyprazdňovací kanál a v případě potřeby vyměňte za náhradní díly doporučené výrobcem.
- Z důvodu bezpečnosti vyměňujte opotřebené nebo poškozené díly.
- Vyměňujte vadné tlumiče výfuku.

## Akustický tlak

Tato sekačka má úroveň akustického tlaku u ucha obsluhy 89 dBA včetně tolerance (K) 1 dBA. Úroveň akustického tlaku byla stanovena v souladu s postupy uvedenými v normě EN836.

## Akustický výkon

Tato sekačka má zaručenou úroveň akustického výkonu 98 dBA včetně tolerance (K) 1 dBA. Úroveň akustického výkonu byla stanovena v souladu s postupy uvedenými v normě ISO 11094.

## Vibraze rukou a paží

Naměřená úroveň vibrací levé ruky = 4,7 m/s<sup>2</sup>

Naměřená úroveň vibrací pravé ruky = 4,6 m/s<sup>2</sup>

Tolerance (K) = 2,4 m/s<sup>2</sup>.

Naměřené hodnoty byly získány v souladu s postupy uvedenými v normě EN 836.

# Bezpečnostní a instrukční štítky

**Důležité:** Výstražné a informační nálepky jsou umístěny v blízkosti potenciálně nebezpečných součástí. Vyměňte poškozené nálepky.



107-1946

1. Rukojeť visle
2. Rukojeť sklopená
3. Uvolněte nožní spínač, aby bylo možné rukojeť sklopit



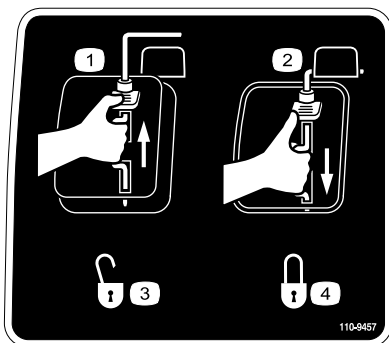
108-7450

1. Výška sekání



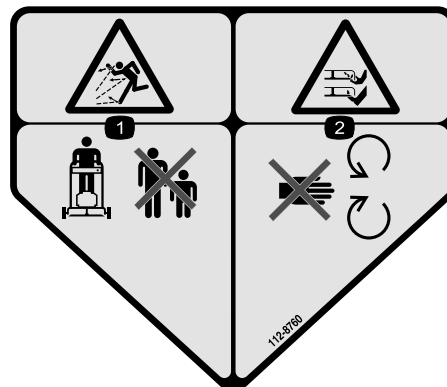
108-7451

1. Výška sekání



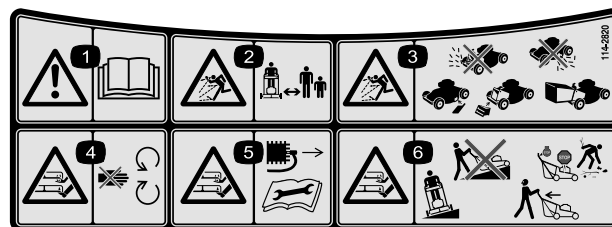
110-9457

1. Spínač motoru vypnutý
2. Spínač motoru zapnutý
3. Odjištěný
4. Zajištěný



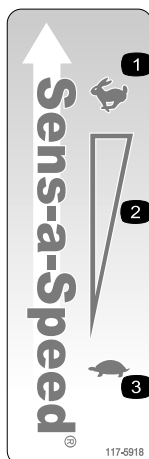
112-8760

1. Nebezpečí od odlétávajících předmětů – okolostojící osoby musejí být v bezpečné vzdálenosti od stroje.
2. Nebezpečí pořezání, useknutí ruky nebo nohy – nepřibližujte se k pohyblivým součástem.



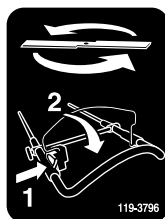
114-2820

1. Varování – přečtěte si uživatelskou příručku.
2. Nebezpečí odmrštění předmětů – okolostojící osoby musí být v bezpečné vzdálenosti od stroje.
3. Nebezpečí odmrštění předmětů – nepoužívejte sekačku bez upevněného krytu zadního vyhazovacího otvoru nebo sběracího koše; nepoužívejte sekačku bez upevněného krytu bočního vyhazovacího otvoru nebo deflektoru.
4. Nebezpečí pořezání/useknutí ruky nebo nohy žacím nožem – nepřibližujte se k pohyblivým součástem.
5. Nebezpečí pořezání/useknutí ruky nebo nohy žacím nožem – před prováděním servisu nebo údržby zařízení vyjměte klíček ze spínací skříňky a přečtěte si pokyny.
6. Nebezpečí pořezání, useknutí ruky nebo nohy žacím nožem – na svahu nepracujte se sekačkou po spádnici; pracujte po vrstevnici; před opuštěním provozní polohy vypněte motor a při couvání se dívejte za sebe.



117-5918

1. Rychle
2. Plynulé variabilní nastavení
3. Pomalu



119-3796

1. Pro přidání žacích nožů uvolněte ochranný spínač.
2. Přitáhněte tyč zpět k rukojeti.

# Nastavení

**Důležité:** Sejměte a zlikvidujte ochrannou plastovou fólii, která zakrývá motor.

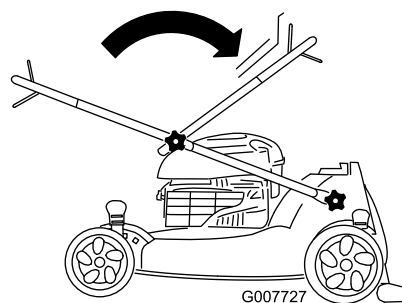
# 1

## Rozložení rukojeti

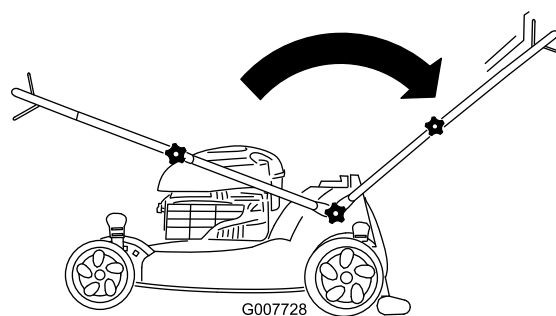
Nejsou potřeba žádné díly

### Postup

1. Sklopte rukojeť tak, jak je znázorněno na Obrázek 3 a Obrázek 4.



Obrázek 3



Obrázek 4

2. Utáhněte všechny otočné knoflíky rukojeti.

# 2

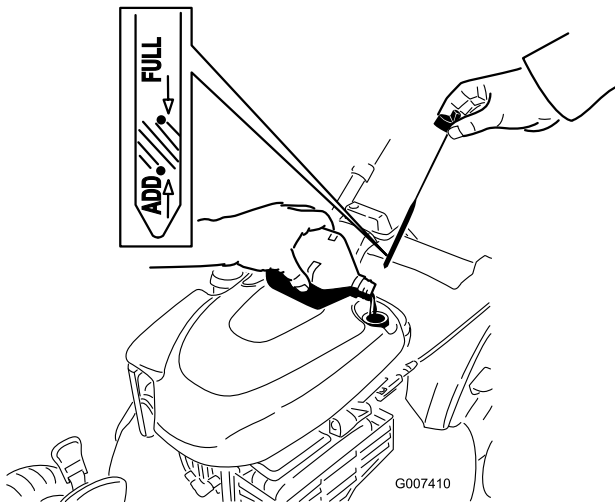
## Doplnění oleje do motoru

Nejsou potřeba žádné díly

### Postup

**Důležité:** Sekačka není dodávána s olejem v motoru.

1. Vytáhněte měрку (Obrázek 5).



Obrázek 5

2. **Pomalou** nalévejte olej do plnicí trubice, dokud hladina oleje nedosáhne čáry na měrci označující plnou nádrž (Obrázek 5). **Nepřeplňte nádrž.** (Maximální hladina: 0,59 l, typ: detergentní olej SAE 30 s API klasifikací SF, SG, SH, SJ, SL nebo vyšší.)

**Poznámka:** Pokud dojde k přeplnění motoru olejem, vypusťte určité množství oleje tak, jak je uvedeno v kapitole Výměna motorového oleje.

3. Bezpečně namontujte měрку.

**Důležité:** *Vyměňte motorový olej po prvních 5 hodinách provozu; následně jej vyměňujte jednou ročně. Viz kapitola Výměna motorového oleje.*

# 3

## Montáž mulčovacího krytu nebo sběracího koše

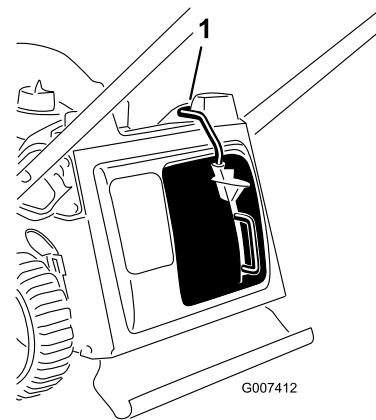
Nejsou potřeba žádné díly

### Postup

Mulčovací kryt musí být správným způsobem namontovaný (pro mulčování nebo boční vyhazování) nebo sběrací koš (pro sbírání), neboť **motor se jinak neuvede do chodu.**

Sekačka má bezpečnostní spínač umístěný ve spodní části kanálu nahoře v pravé zadní části sekačky, který zabrání tomu, aby sekačka pracovala bez mulčovacího krytu nebo sběracího koše. Tím se zamezí odhazování zbytků na pracovníka obsluhy přes zadní vyhazovací kanál.

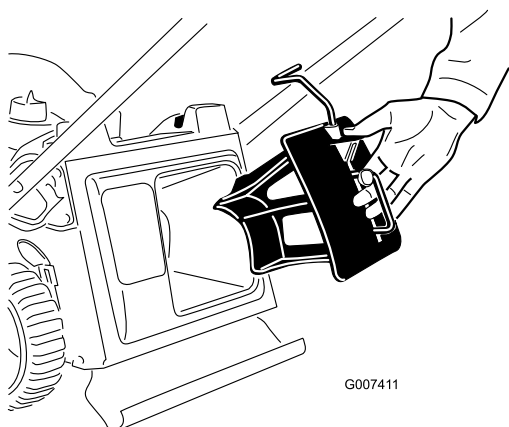
Aby spínač mohl detekovat přítomnost mulčovacího krytu, musí horní část páky mulčovacího krytu **ležet zcela ve spodní části kanálu** (Obrázek 6).



Obrázek 6

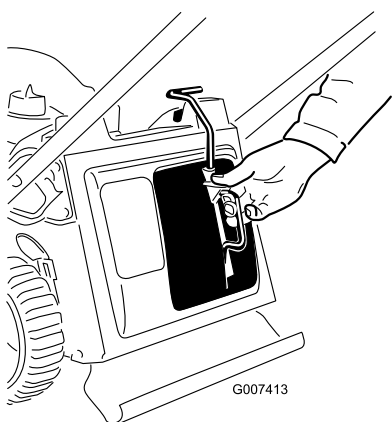
1. Horní část páky mulčovacího krytu v přepínacím kanálu

1. Vložte mulčovací kryt do sekačky, pokud již není namontován (Obrázek 7).



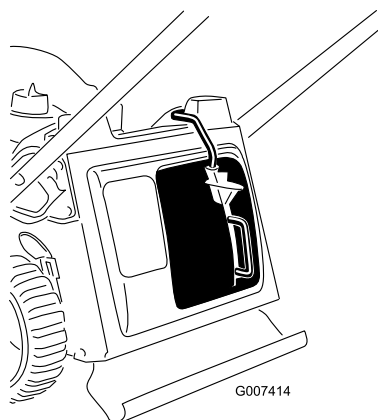
Obrázek 7

2. Stiskněte prstem tlačítko na páce a zasuňte mulčovací kryt zcela do otvoru (Obrázek 8).



Obrázek 8

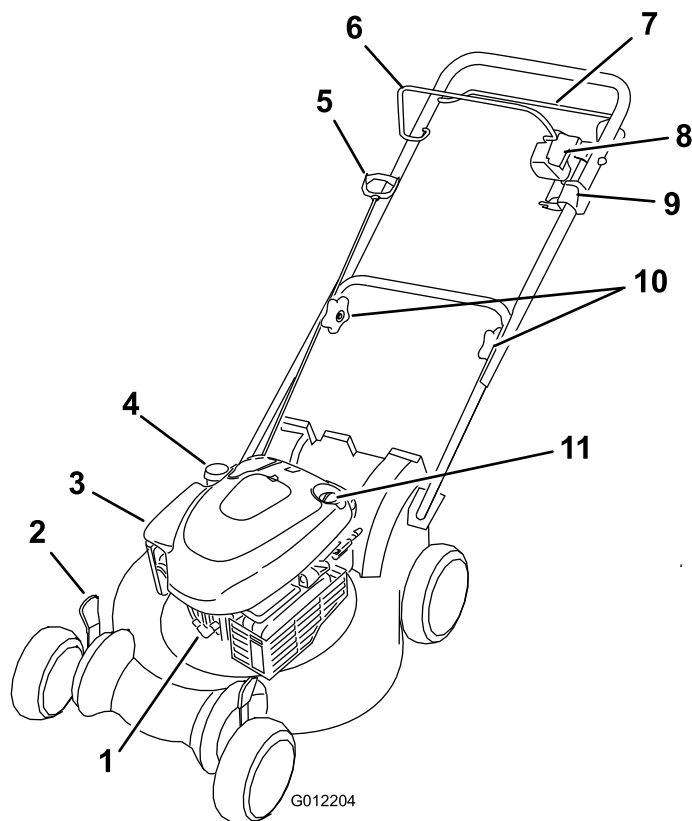
3. Uvolněte tlačítko na páce a zajistěte, aby horní část páky byla zcela vložena v přepínacím kanálu (Obrázek 9). **Pokud není horní část páky v přepínacím kanálu, Vaše sekačka se neuvede do chodu!**



Obrázek 9

zkontrolujte, zda se nenahromadily v tunelu zbytky, a případně je odstraňte.

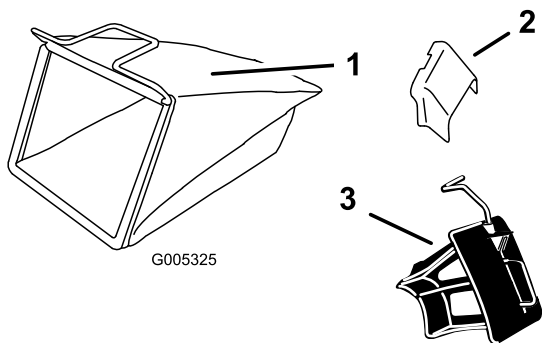
## Součásti stroje



Obrázek 10

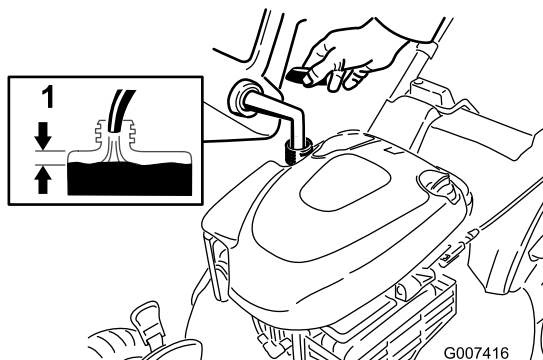
- |  |                                  |
|--|----------------------------------|
| 1. Zapalovací svíčka                   | 7. Tyč ručního pohonu            |
| 2. Páka pro nastavení výšky sekání (4) | 8. Ovládací tlačítko žacího nože |
| 3. Vzduchový filtr                     | 9. Spínač zapalování             |
| 4. Uzávěr palivové nádrže              | 10. Knoflíky rukojeti            |
| 5. Držadlo ručního startéru            | 11. Měrka hladiny oleje          |
| 6. Ovládací tyč žacího nože            |                                  |

**Poznámka:** Jestliže páka není náležitým způsobem zaklapnutá, odpojte kabel od zapalovací svíčky a



Obrázek 11

1. Sběrací koš
2. Boční vyhazovací otvor
3. Mulčovací kryt (namontovaný)



Obrázek 12

1. 1 cm

## Technické údaje

| Model | Hmotnost | Délka  | Šířka | Výška  |
|-------|----------|--------|-------|--------|
| 20997 | 37 kg    | 157 cm | 56 cm | 112 cm |

## Obsluha

### Doplňování paliva do nádrže

#### ⚠ NEBEZPEČÍ

Palivo je vysoce hořlavé a výbušné. Požár nebo výbuch paliva může vám nebo jiným osobám způsobit popálení.

- Aby nedošlo ke vznícení paliva od statického náboje, položte před tankováním nádobu s palivem a/nebo sekačku přímo na zem, nikoli na vozidlo nebo nějaký předmět.
- Tankujte ve venkovním prostoru, když je motor studený. Utřete rozlité palivo.
- Nemanipulujte s palivem v blízkosti otevřeného ohně nebo jisker nebo když kouříte.
- Skladujte palivo ve schválené nádobě, mimo dosah dětí.

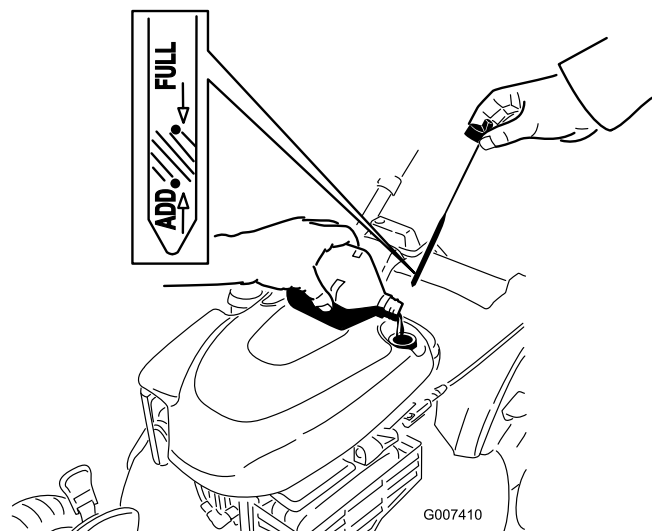
Natankujte do nádrže čerstvý normální bezolovnatý benzín ze značkové čerpací stanice (Obrázek 12).

**Důležité:** Abyste omezili problémy se startováním, přidávejte do paliva po celou sezónu stabilizátor. Míchejte jej s palivem starým maximálně 30 dnů.

## Kontrola hladiny motorového oleje

**Servisní interval:** Při každém použití nebo denně

1. Vytáhněte měрку, otřete ji a zasuňte zpátky (Obrázek 13).



Obrázek 13

2. Vytáhněte měрку a zkontrolujte hladinu oleje (Obrázek 13). Pokud hladina oleje nedosahuje na měrce úroveň **Doplň**, pomalu nalévejte olej do plnicí trubice, dokud hladina nedosáhne na měrce úroveň **Plná**. **Nepřeplňte nádrž.** (Maximální hladina: 0,59 l, typ: detergentní olej SAE 30 s API klasifikací SF, SG, SH, SJ, SL nebo vyšší.)
3. Bezpečně namontujte měрку.

# Nastavení výšky sekání

## ⚠ DŮLEŽITÉ UPOZORNĚNÍ

Při nastavování výšky sekání se můžete dostat do kontaktu s pohyblivým nožem, který může způsobit vážné poranění.

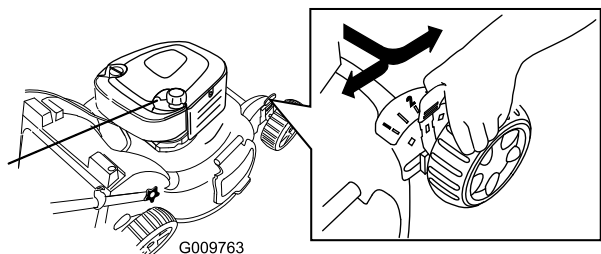
- Vypněte motor a počkejte, dokud se všechny pohyblivé součásti nezastaví.
- Při nastavování výšky sekání nestrkejte prsty pod kryt.

## ⚠ VÝSTRAHA

Pokud byl spuštěný motor, tlumič výfuku bude žhavý a může způsobit vážné popálení. Nepřibližujte se ke žhavému tlumiči výfuku.

Nastavte výšku sekání podle potřeby. Nastavte všechna čtyři kola do stejné výšky.

**Poznámka:** Chcete-li výšku zvětšit, posuňte všechny 4 páky pro nastavení výšky sekání dopředu; chcete-li výšku zmenšit, přesuňte všechny páky dozadu (Obrázek 14).



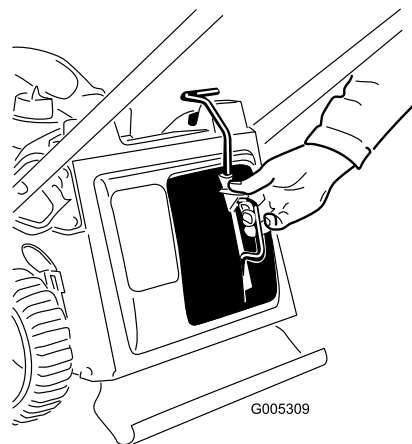
Obrázek 14

**Poznámka:** Nastavení výšky sekání je 25 mm; 38 mm; 51 mm; 64 mm; 76 mm; 89 mm; 102 mm a 114 mm.

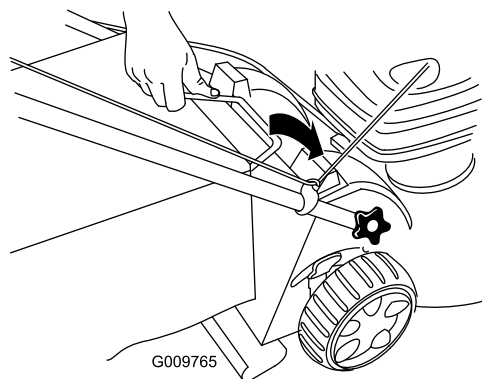
## Spuštění motoru

**Důležité:** Sekačka je vybavena bezpečnostním spínačem, který zabrání uvedení sekačky do chodu, pokud jste nejdříve spolehlivě nenamontovali mulčovací kryt nebo sběrací koš na sekačku.

1. Namontujte mulčovací kryt (Obrázek 15) nebo sběrací koš (Obrázek 16) na sekačku.

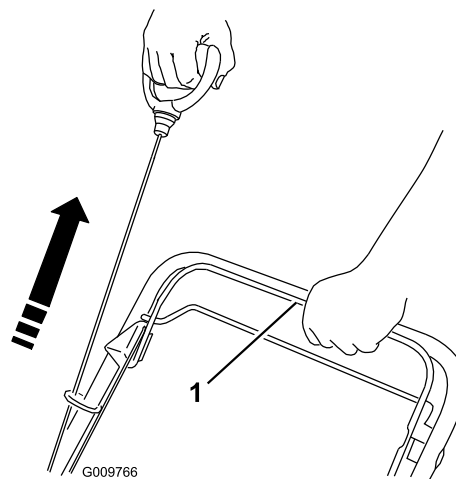


Obrázek 15



Obrázek 16

2. Pokud je vaše sekačka vybavena (Obrázek 10) pákovým spínačem zapalování (s polohami “T” a “Stop”), zatlačte spínač do polohy (“T”). Jinak přejděte ke kroku 3.
3. Zatáhněte za ruční startét, dokud neucítíte odpor, a potom prudce zatáhněte (Obrázek 17).



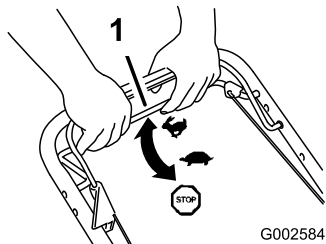
Obrázek 17

1. Ovládací tyč žacího nože

**Poznámka:** Nemůžete-li sekačku nastartovat, obraťte se na autorizované servisní středisko.

## Použití ručního pohonu

Pro ovládání ručního pohonu stiskněte tyč ručního pohonu (Obrázek 18) směrem k rukojeti a přidržeťte ji.



Obrázek 18

### 1. Tyč ručního pohonu

Pro odpojení ručního pohonu tyč ručního pohonu uvolněte.

**Poznámka:** Maximální pojezdová rychlost vlastního pohonu je nastavena. Pro snížení pojezdové rychlosti zvětšete vzdálenost mezi tyčí ručního pohonu a rukojetí.

## Vypnutí motoru

**Servisní interval:** Při každém použití nebo denně—Dbejte na to, aby se motor zastavil do 3 sekund po uvolnění ovládací tyče žacího nože.

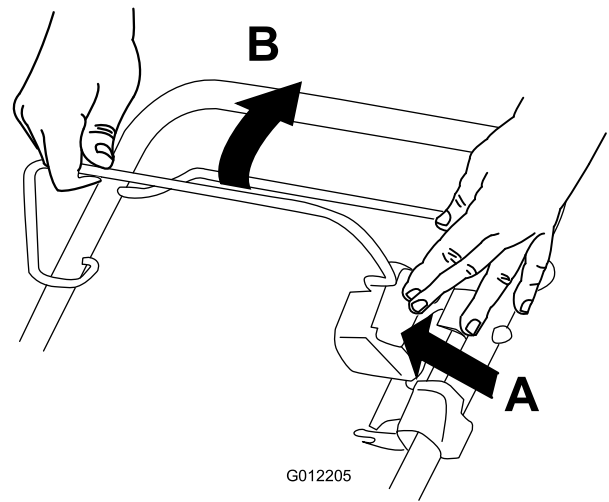
Pokud je vaše sekačka vybavena (Obrázek 10) pákovým spínačem zapalování (s polohami “I” a “Stop”), zatlačte spínač do polohy Stop. Jinak přidržeťte spínač zapalování v poloze Stop, dokud se motor nezastaví.

**Důležité:** Po uvolnění ovládací tyče žacího nože by se motor i nůž měly do 3 sekund zastavit. Pokud se řádně nezastaví, přestaňte sekačku okamžitě používat a kontaktujte autorizované servisní středisko.

## Spuštění žacího nože

**Poznámka:** Po nastartování motoru se žací nůž neotáčí. Pro sekání trávy musíte žací nůž spustit.

Zmáčkněte ovládací tlačítko žacího nože a přitáhněte ovládací tyč žacího nože zpět k rukojeti (Obrázek 19).



Obrázek 19

## Zastavení žacího nože

Uvolněte ovládací tyč žacího nože.

**Důležité:** Po uvolnění ovládací tyče žacího nože by se nůž měl do 3 sekund zastavit. Pokud se řádně nezastaví, přestaňte sekačku okamžitě používat a kontaktujte autorizované servisní středisko.

## Kontrola funkčnosti brzdy žacího nože

Před každým použitím zkontrolujte ovládací tyč, aby byla zaručena řádná funkčnost brzdového systému žacího nože.

## Použití sběracího koše

**Servisní interval:** Při každém použití nebo denně

Pro dodatečnou kontrolu funkčnosti brzdy žacího nože můžete použít sběrací koš.

1. Prázdný sběrací koš namontujte na sekačku.
2. Spustěte motor.
3. Spustěte žací nůž.

**Poznámka:** Sběrací koš by se měl začít nafukovat na důkaz toho, že žací nůž je spuštěný a rotuje.

4. Uvolněte ovládací tyč žacího nože.

**Poznámka:** Pokud sběrací koš okamžitě nesplaskne, žací nůž stále rotuje. Brzda žacího nože se může opotřebovat. Pokud budete v tomto případě sekačku i nadále používat, vystavujete se nebezpečí.

Nechte sekačku zkontrolovat a provést její údržbu v autorizovaném servisním středisku.

5. Vypněte motor a počkejte, dokud se všechny pohyblivé součásti nezastaví.

## Použití sekačky bez sběracího koše

1. Přemístěte sekačku na dlážděnou plochu, kde nefouká vítr.
2. Nastavte všechna 4 kola na výšku sekání 83 mm.
3. Vezměte půlstranu novinového papíru a zmačkejte jej do kuličky dostatečně malé na to, aby se vešla pod kryt sekačky (přibližně 76 mm v průměru).
4. Položte papírovou kuličku přibližně 13 cm před sekačku.
5. Spusťte motor.
6. Spusťte žací nůž.
7. Uvolněte ovládací tyč žacího nože.
8. Přejed'te sekačkou přes papírovou kuličku.
9. Vypněte motor a počkejte, dokud se všechny pohyblivé součásti nezastaví.
10. Přejděte k přední straně sekačky a zkontrolujte papírovou kuličku.

**Poznámka:** Pokud se kulička nedostala pod sekačku, opakujte kroky až .

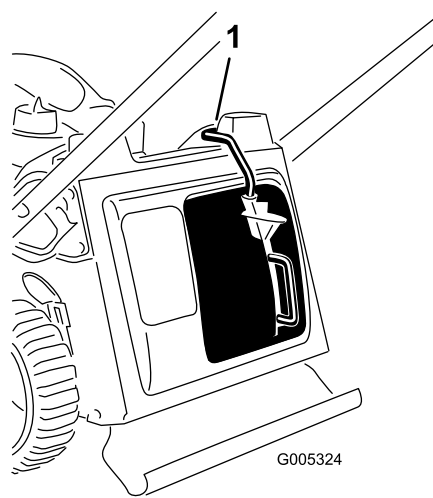
11. Je-li papír roztřepený nebo roztrhaný, žací nůž se řádně nezastavil, a tudíž provoz sekačky není bezpečný. Kontaktujte autorizované servisní středisko.

## Mulčování trávy

Vaše sekačka je podle továrního nastavení schopná mulčovat trávu a listí zpět na trávník.

Před mulčováním vyjměte ze sekačky sběrací koš, pokud je namontovaný na sekačce (viz kapitola Vyjmutí sběracího koše). Pokud má sekačka boční vyhazovací kanál, před mulčováním jej vyjměte a zajistěte dvířka bočního vyhazovacího otvoru (viz kapitola Vyjmutí bočního vyhazovacího kanálu).

**Důležité:** Sekačka je vybavena bezpečnostním spínačem, který zabrání uvedení sekačky do chodu, pokud jste nejdříve spolehlivě nenamontovali mulčovací kryt na sekačku (Obrázek 20).



Obrázek 20

1. Horní část páky mulčovacího krytu v přepínacím kanálu

## Sbírání trávy

Chcete-li posekanou trávu a listí z trávníku sesbírat, použijte sběrací koš.

Pokud má sekačka boční vyhazovací kanál, před sbíráním posekané trávy do koše jej vyjměte a uzamkněte dvířka bočního vyhazovacího otvoru (viz kapitola Vyjmutí bočního vyhazovacího kanálu).

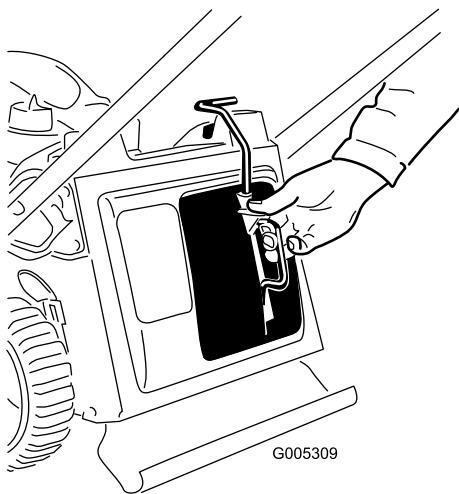
### ▲ DŮLEŽITÉ UPOZORNĚNÍ

**Žací nůž je ostrý; při kontaktu s nožem může dojít k vážnému poranění.**

**Před opuštěním provozní pozice vypněte motor a počkejte, dokud se všechny pohyblivé součásti nezastaví.**

## Přípevnění sběracího koše

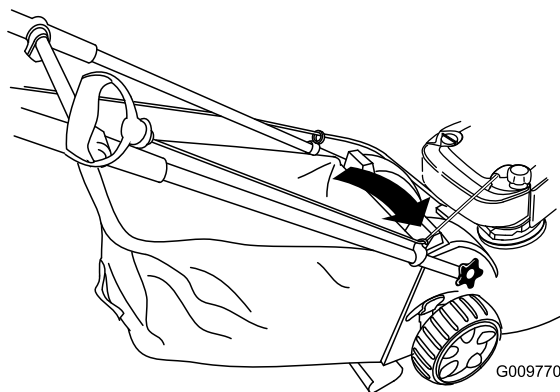
1. Vytáhněte mulčovací kryt (Obrázek 21).



Obrázek 21

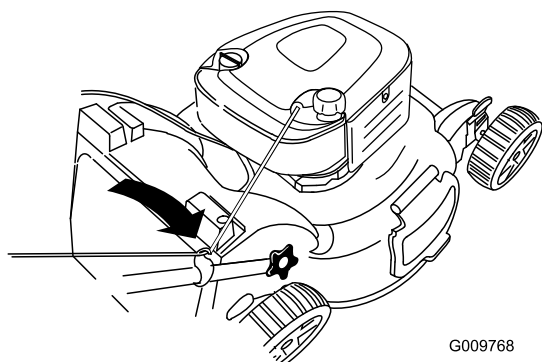
## Vyjmutí sběracího koše

1. Protáhněte lanko startéru okolo spodního vedení lanka (Obrázek 24).



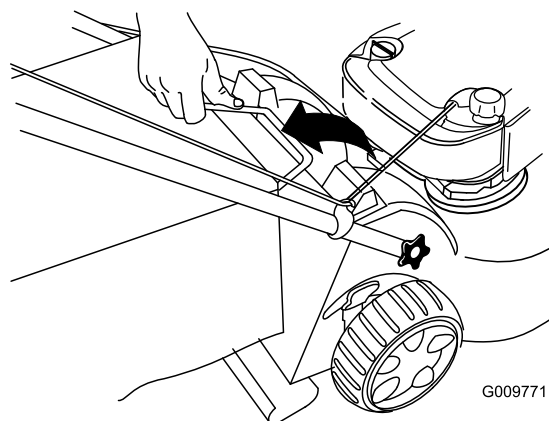
Obrázek 24

2. Protáhněte lanko startéru okolo spodního vedení lanka (Obrázek 22).



Obrázek 22

2. Zvedněte rukojeť sběracího koše z drážek na horní části sekačky a vyjměte koš ze sekačky (Obrázek 25).

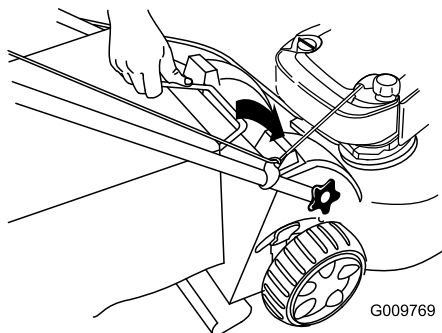


Obrázek 25

**Poznámka:** Spodní vedení lanka uvolní lanko startéru, když zatáhnete držadlo ručního startéru.

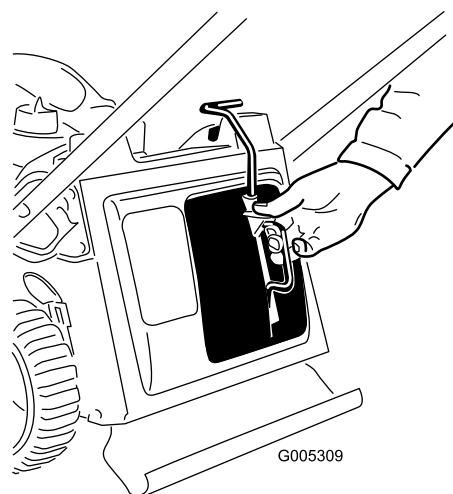
3. Vložte rukojeť sběracího koše do drážek na horní části sekačky (Obrázek 23).

**Důležité:** Sekačka je vybavena bezpečnostním spínačem, který zabrání uvedení sekačky do chodu, pokud jste nejdříve spolehlivě nenamontovali sběrací koš na sekačku.



Obrázek 23

3. Vložte mulčovací kryt (Obrázek 26).



Obrázek 26

## Vyhazování kousků trávy bočním otvorem.

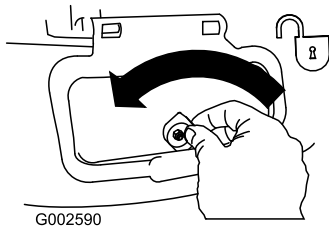
Při sekání velmi vysoké trávy použijte boční vyhazovací otvor.

Před použitím bočního vyhazovacího otvoru vyjměte ze sekačky sběrací koš a upevněte mulčovací kryt (viz kapitola Vyjmutí sběracího koše).

**Důležité:** Sekačka je vybavena bezpečnostním spínačem, který zabrání uvedení sekačky do chodu, pokud jste nejdříve spolehlivě nenamontovali mulčovací kryt na sekačku (viz kapitola Mulčování trávy).

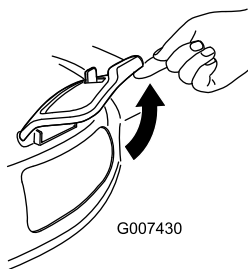
### Upevnění bočního vyhazovacího kanálu

1. Odemkněte dvířka bočního vyhazovacího otvoru (Obrázek 27).



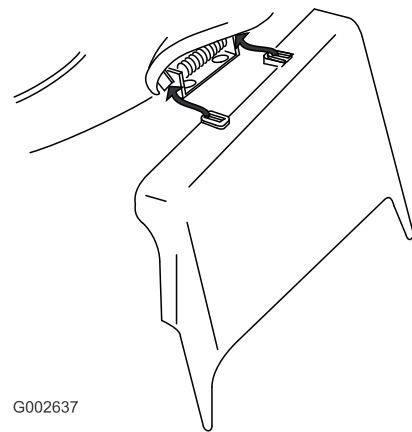
Obrázek 27

2. Zvedněte dvířka bočního vyhazovacího otvoru (Obrázek 28).



Obrázek 28

3. Upevněte boční vyhazovací kanál a přiklopte dvířka na kanál (Obrázek 29).



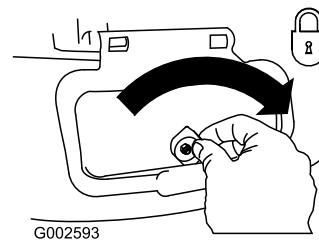
G002637

Obrázek 29

### Vyjmutí bočního vyhazovacího kanálu

Při vyjímání bočního vyhazovacího kanálu opakujte výše popsané kroky v opačném pořadí.

**Důležité:** Po zavření dvířek bočního vyhazovacího otvoru dvířka zamkněte (Obrázek 30).



G002593

Obrázek 30

## Provozní tipy

### Všeobecná doporučení k sekání

- Odstraňte z trávníku klacky, kameny, dráty, větve a jiné předměty, na které by mohl žací nůž narazit.
- Zabraňte kontaktu žacího nože s tvrdými předměty. Nikdy záměrně nepřejíždějte sekačkou přes žádný předmět.
- Pokud sekačka narazí na tvrdý předmět nebo začne vibrovat, okamžitě vypněte motor, odpojte koncovku zapalovací svíčky a zkontrolujte, zda sekačka není poškozená.
- Pro dosažení maximální výkonnosti namontujte před začátkem sezóny nový žací nůž.
- V případě potřeby vyměňte žací nůž za nový nůž Toro.

## Sekání trávy

- Sekejte najednou vždy pouze asi třetinu výšky trávy. Pokud tráva není řídká nebo pokud není pozdní podzim, kdy se růst trávy zpomaluje, nenastavujte výšku pod hodnotu 51 mm. Viz kapitola Nastavení výšky sekání.
- Pro sekání trávy vyšší než 15 cm nastavte maximální výšku sekání a pohybujte se pomaleji; potom sekání opakujte s menší nastavenou výškou. Je-li tráva příliš vysoká, může se sekačka ucpat a motor se zastaví.
- Sekejte pouze suchou travu a listí. Mokrý tráva a listí mají tendenci shlukovat se a mohou způsobit ucpání sekačky nebo zastavení motoru.

### **▲ DŮLEŽITÉ UPOZORNĚNÍ**

**Na mokré trávě nebo listí můžete uklouznout, dostat se do kontaktu s žací nožem a způsobit si vážné zranění. Sekejte pouze za sucha.**

- Strídejte směr sekání. Pomáhá to rozptýlovat posekanou travu po trávníku a dosáhnout rovnoměrného hnojení.
- Pokud výsledný vzhled trávníku není uspokojivý, vyzkoušejte následující:
  - Vyměňte žací nůž nebo jej nechte nabrousit.

- Pohybujte se při sekání pomaleji.
- Nastavte větší výšku sekání.
- Sekejte travu častěji.
- Postupujte v překrývajících se pruzích místo plných pruhů při každém průchodu.
- Nastavte výšku sekání u předních kol o jeden stupeň níž než u zadních kol. Například přední kola nastavte na 51 mm a zadní kola na 64 mm.

## Sekání listí

- Dbejte na to, aby po sekání tráva polovinou své výšky přesahovala vrstvu listí. Možná budete muset přejet sekačkou přes listí více než jednou.
- Pokud vrstva listí přesahuje 13 cm, nastavte přední výšku sekání o jeden nebo dva stupně výš než zadní výšku sekání.
- Pokud sekačka neseká listy dostatečně najemno, zpomalte.

## Údržba

**Poznámka:** Levou a pravou stranu stroje určujte z normální pracovní pozice.

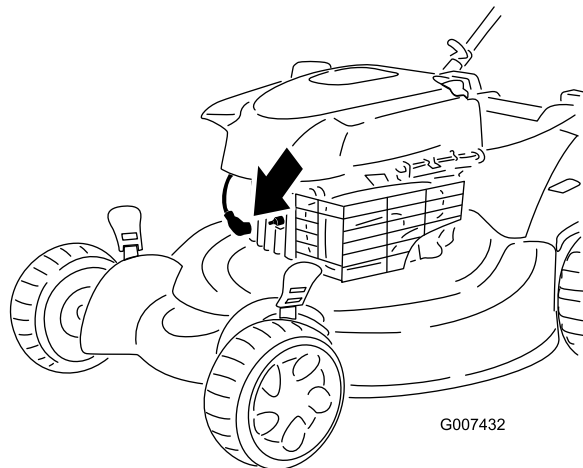
## Doporučený harmonogram údržby

| Servisní interval              | Postup při údržbě   |
|--------------------------------|---|
| Po prvních 5 hodinách          | <ul style="list-style-type: none"><li>• Vyměňte motorový olej.</li></ul>  |
| Při každém použití nebo denně  | <ul style="list-style-type: none"><li>• Kontrolujte hladinu motorového oleje.</li><li>• Dbejte na to, aby se motor zastavil do 3 sekund po uvolnění ovládací tyče žacího nože.</li><li>• Zkontrolujte funkčnost brzdy žacího nože.</li><li>• Odstraňte kousky trávy a špínu pod sekačkou.</li></ul> |
| Po každých 25 hodinách provozu | <ul style="list-style-type: none"><li>• Vyměňujte vzduchový filtr; častěji při provozu v prašném prostředí.</li></ul>   |
| Před uskladněním               | <ul style="list-style-type: none"><li>• Před prováděním oprav a před uskladněním sekačky vyprázdněte palivovou nádrž.</li></ul>   |
| Každý rok                      | <ul style="list-style-type: none"><li>• Vyměňte motorový olej.</li><li>• Promažte ozubené soukolí.</li><li>• Vyměňte žací nůž nebo jej nechte nabrousit (častěji pokud se hrany rychle otupí).</li><li>• Další pokyny k provádění roční údržby najdete v <i>Návodu k obsluze motoru</i>.</li></ul>  |

**Důležité:** Další pokyny k údržbě najdete v *Návodu k obsluze motoru*.

## Příprava na údržbu

1. Vypněte motor a počkejte, dokud se všechny pohyblivé součásti nezastaví.
2. Před prováděním údržby odpojte koncovku zapalovací svíčky (Obrázek 31).



Obrázek 31

3. Po dokončení údržbářských prací připojte koncovku zpět k zapalovací svíčke.

**Důležité:** Abyste sekačku mohli naklonit kvůli výměně oleje nebo žacího nože, spotřebujte nejprve palivo v nádrži. Je-li nezbytné naklonit sekačku před spotřebováním paliva, odčerpajte palivo ručním palivovým čerpadlem. Naklánějte sekačku na stranu vždy tak, aby vzduchový filtr směřoval nahoru.

### **▲ DŮLEŽITÉ UPOZORNĚNÍ**

Při naklonění sekačky může vytékat palivo. Palivo je hořlavé, výbušné a může způsobit zranění.

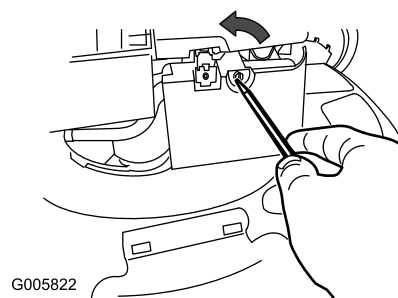
Spotřebujte palivo provozem nebo je odčerpajte ručním čerpadlem; nikdy ne násoskou.

## Výměna vzduchového filtru

**Servisní interval:** Po každých 25 hodinách provozu

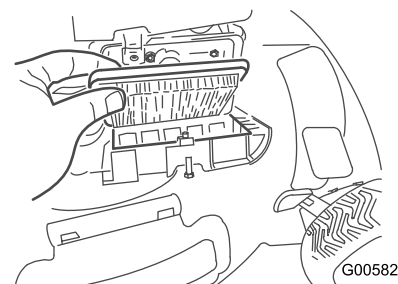
Vyměňujte vzduchový filtr jednou ročně; častěji při provozu v prašném prostředí. Viz kapitola Příprava na údržbu.

1. Pro otevření krytu vzduchového otvoru použijte šroubovák (Obrázek 32).



Obrázek 32

2. Vyměňte vzduchový filtr (Obrázek 33).



Obrázek 33

3. Upevněte kryt.

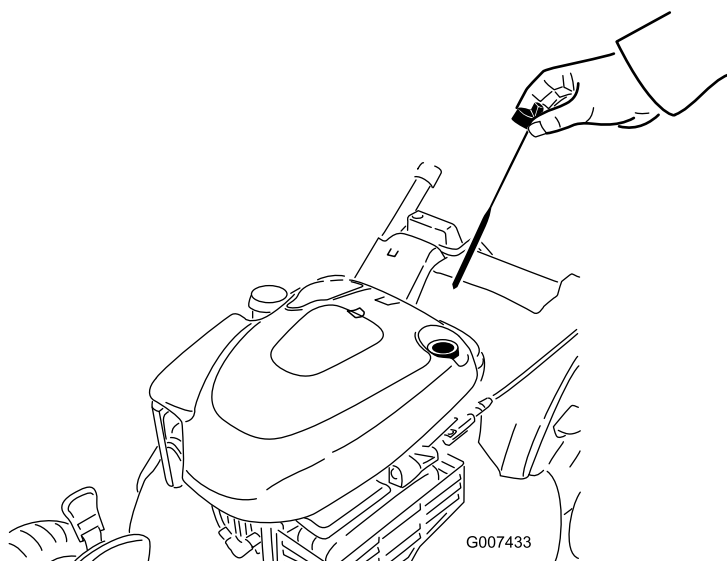
## Výměna motorového oleje

**Servisní interval:** Po prvních 5 hodinách

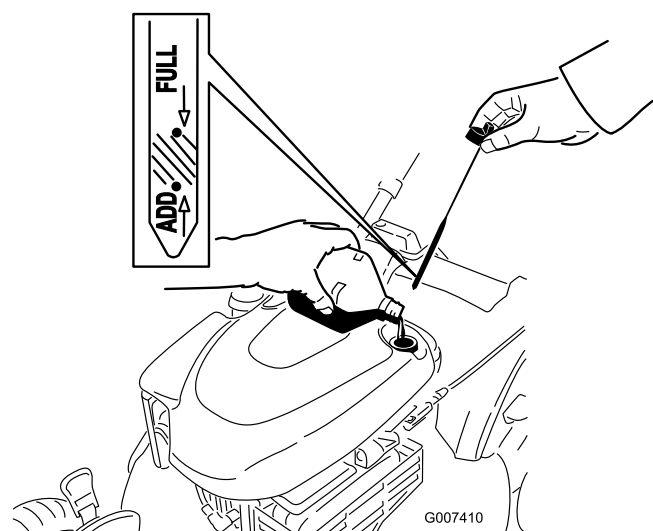
Každý rok

Několik minut před výměnou oleje spusťte motor, aby se olej zahřál. Zahřátý olej má lepší viskozitu a odnáší více nečistot.

1. Proveďte předběžnou údržbu, viz kapitola Příprava na údržbu.
2. Vytáhněte měrku (Obrázek 34).

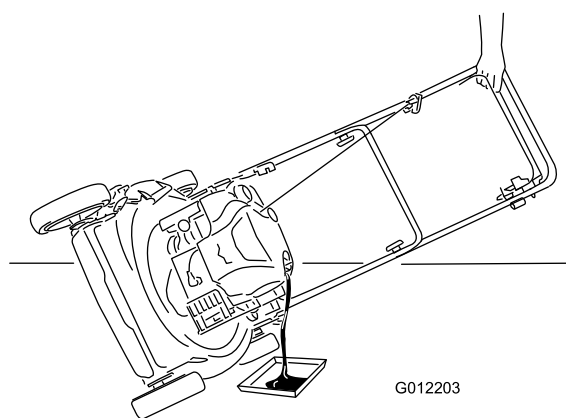


Obrázek 34



Obrázek 36

3. Nakloňte sekačku na stranu tak, aby vzduchový filtr směřoval nahoru, a nechte olej vytéct plnicí trubici (Obrázek 35).



Obrázek 35

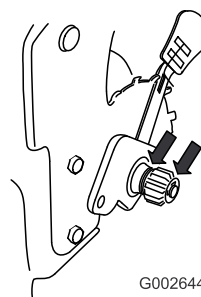
4. **Pomalou** nalévejte olej do plnicí trubice, dokud hladina oleje nedosáhne čáry na měrce označující **plnou** nádrž (Obrázek 36). **Nepřeplňte nádrž.** (Maximální hladina: 0,59 l, typ: detergentní olej SAE 30 s API klasifikací SF, SG, SH, SJ, SL nebo vyšší.)

5. Bezpečně namontujte měrku.
6. Použitý olej nechte řádně zlikvidovat v místní recyklační stanici.

## Mazání ozubeného soukolí

**Servisní interval:** Každý rok

1. Odšroubujte upevňovací šroub uprostřed každého **zadního** kola a sundejte zadní kola.
2. Naneste mazací olej na vnitřní a vnější stranu soukolí, jak je znázorněno na obrázku Obrázek 37.



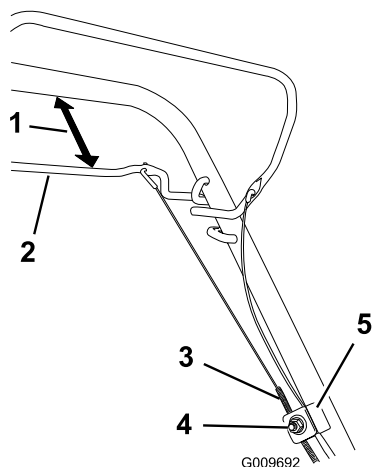
Obrázek 37

3. Namontujte zadní kola.

## Seřízení kabelu ručního pohonu

Při každé instalaci nového kabelu ručního pohonu nebo v případě, že kabel ručního pohonu není seřízen, proveďte jeho seřízení.

1. Povolte upevňovací matici kabelu (Obrázek 38).



Obrázek 38

- |                       |                             |
|-----------------------|-----------------------------|
| 1. 25 až 38 mm        | 4. Upevňovací matice kabelu |
| 2. Tyč ručního pohonu | 5. Držák kabelu             |
| 3. Plášť kabelu       |                             |

- Přidržíte tyč ručního pohonu 25 až 38 mm od rukojeti (Obrázek 38).
- Zatáhněte za plášť kabelu směrem dolů (k sekačce) tak, aby byl kabel napnutý (Obrázek 38).
- Utáhněte upevňovací matici.
- Uvolněte tyč ručního pohonu a ujistěte se, že kabel je volný.

**Poznámka:** Kabel musí být volný, když tyč ručního pohonu je uvolněná; jinak se sekačka může pomalu pohybovat, i když je tyč odpojená.

## Výměna žacího nože

Servisní interval: Každý rok

**Důležité:** Pro správné namontování žacího nože budete potřebovat momentový klíč. Pokud nemáte momentový klíč nebo si provedením montáže nejste jistí, kontaktujte autorizované servisní středisko.

Po každém spotřebování paliva zkontrolujte žací nůž. Je-li žací nůž poškozený nebo prasklý, okamžitě jej vyměňte. Je-li ostří žacího nože tupé nebo poškozené, nechte je nabrousit nebo je vyměňte.

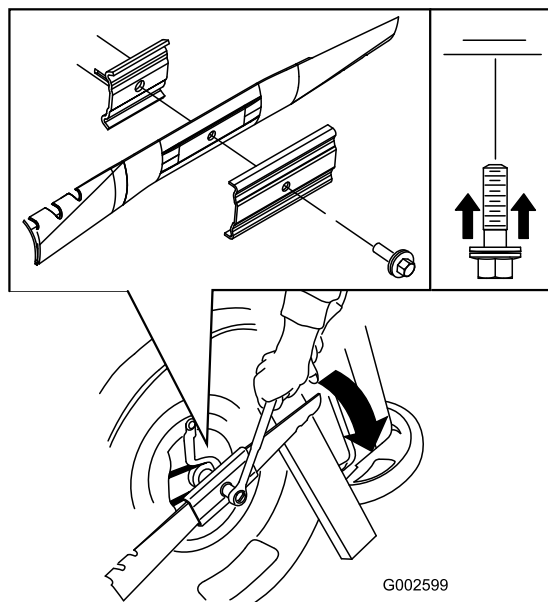
### ▲ DŮLEŽITÉ UPOZORNĚNÍ

Žací nůž je ostrý; při kontaktu s nožem může dojít k vážnému poranění.

Při manipulaci se žacím nožem používejte rukavice.

- Odpojte koncovku zapalovací svíčky. Viz kapitola Příprava na údržbu.
- Nakloňte sekačku na stranu tak, aby vzduchový filtr směřoval nahoru.

- K zajištění žacího nože použijte dřevěný špalek (Obrázek 39).



Obrázek 39

- Sundejte žací nůž a uložte si veškeré upevňovací součástky (Obrázek 39).
- Namontujte nový žací nůž a všechny upevňovací součástky (Obrázek 39).

**Důležité:** Zakřivené konce žacího nože musejí směřovat ke krytu sekačky.

- Momentovým klíčem utáhněte upevňovací šroub žacího nože na 82 Nm.

**Důležité:** Šroub utážený na 82 Nm je velmi pevný. Zajistěte žací nůž dřevěným špalkem a utahovákem nebo klíčem šroub pevně utáhněte. Přetáhnout šroub je velmi obtížné.

## Čištění sekačky

Servisní interval: Při každém použití nebo denně

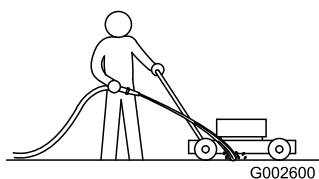
### ▲ DŮLEŽITÉ UPOZORNĚNÍ

Zpod krytu sekačky se může uvolňovat materiál.

- Používejte ochranné brýle.
- Neopouštějte pozici při provozu (za rukojetí).
- Nedovolte, aby v blízkosti sekačky kdokoli stál.

- S motorem spuštěným na rovném dlážděném povrchu stříkejte proud vody před **pravé** zadní kolo (Obrázek 40).

**Poznámka:** Voda bude stříkat do prostoru, kde se pohybuje žací nůž, a odstraňovat zbytky trávy.



Obrázek 40

2. Jakmile přestanou vypadávat zbytky trávy, zastavte vodu a přesuňte sekačku na suché místo.
3. Nechte několik minut běžet motor, aby uschl kryt sekačky a nedocházelo k jeho korozi.

## Uskladnění

Uskladňujte sekačku na chladném, čistém, suchém místě.

## Příprava sekačky k uskladnění

### ▲ DŮLEŽITÉ UPOZORNĚNÍ

Výpary paliva mohou explodovat.

- Neskladujte palivo po dobu delší než 30 dnů.
- Neskladujte sekačku v uzavřeném prostoru poblíž otevřeného ohně.
- Před uskladněním sekačky nechte vychladnout motor.

1. Při posledním tankování v roce přidejte do paliva stabilizátor, jak doporučuje výrobce motoru.
2. Nechte sekačku běžet, dokud se palivo nespotřebuje a motor se nezastaví.
3. Nasyťte motor a znovu jej spust'ete.
4. Nechte motor běžet, dokud se nezastaví. Jakmile motor nejde nastartovat, je dostatečně suchý.
5. Odpojte koncovku zapalovací svíčky a připevněte ji na přídržný kolík.
6. Vymontujte svíčku, do otvoru pro svíčku nalijte 30 ml oleje a několikrát **pomalů** zatáhněte za lanko startéru, aby se olej rozmístil po celém válci a v období mimo sezónu nevznikala ve válci koroze.
7. Namontujte zapalovací svíčku a utáhněte ji momentovým klíčem na 20 Nm.
8. Utáhněte všechny matice a šrouby.

## Složení rukojeti

### ▲ DŮLEŽITÉ UPOZORNĚNÍ

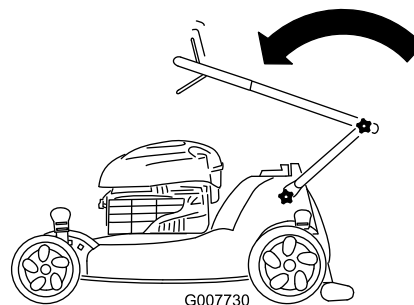
Nesprávným složením a rozložením rukojeti se mohou poškodit kabely, což může způsobit nebezpečí při provozu.

- Při skládání nebo rozkládání rukojeti nepoškoz'te kabely.
  - Je-li poškozený kabel, kontaktujte autorizované servisní středisko.
1. Povolte knoflíky rukojeti tak, aby se horní část rukojeti volně pohybovala (Obrázek 41).



Obrázek 41

2. Sklopte horní část rukojeti směrem dopředu, jak je znázorněno na obrázku Obrázek 42.



Obrázek 42

3. Opačným postupem rukojet' rozložíte.

## Použití sekačky po uskladnění

Připojte koncovku zapalovací svíčky ke svíčce.

## Mezinárodní seznam distributorů

| Distributor:                         | Země:                   | Tel. číslo:      |
|--------------------------------------|-------------------------|------------------|
| Atlantis Su ve Sulama Sisstemleri Lt | Turecko                 | 90 216 344 86 74 |
| Balama Prima Engineering Equip.      | Hongkong                | 852 2155 2163    |
| B-Ray Corporation                    | Jižní Korea             | 82 32 551 2076   |
| Casco Sales Company                  | Portoriko               | 787 788 8383     |
| Ceres S.A.                           | Kostarika               | 506 239 1138     |
| CSSC Turf Equipment (pvt) Ltd.       | Srí Lanka               | 94 11 2746100    |
| Cyril Johnston & Co.                 | Severní Irsko           | 44 2890 813 121  |
| Equiver                              | Mexiko                  | 52 55 539 95444  |
| Femco S.A.                           | Guatemala               | 502 442 3277     |
| G.Y.K. Company Ltd.                  | Japonsko                | 81 726 325 861   |
| Geomechaniki of Athens               | Řecko                   | 30 10 935 0054   |
| Guandong Golden Star                 | Čína                    | 86 20 876 51338  |
| Hako Ground and Garden               | Švédsko                 | 46 35 10 0000    |
| Hako Ground and Garden               | Norsko                  | 47 22 90 7760    |
| Hayter Limited (U.K.)                | Spojené království      | 44 1279 723 444  |
| Hydroturf Int. Co Dubai              | Spojené arabské emiráty | 97 14 347 9479   |
| Hydroturf Egypt LLC                  | Egypt                   | 202 519 4308     |
| Ibea S.P.A.                          | Itálie                  | 39 0331 853611   |
| Irriamc                              | Portugalsko             | 351 21 238 8260  |
| Irrigation Products Int'l Pvt Ltd.   | Indie                   | 86 22 83960789   |
| Jean Heybroek b.v.                   | Nizozemí                | 31 30 639 4611   |
| Lely (U.K.) Limited                  | Spojené království      | 44 1480 226 800  |
| Maquiver S.A.                        | Kolumbie                | 57 1 236 4079    |
| Maruyama Mfg. Co. Inc.               | Japonsko                | 81 3 3252 2285   |
| Metra Kft                            | Maďarsko                | 36 1 326 3880    |
| Mountfield a.s.                      | Česká republika         | 420 255 704 220  |
| Munditol S.A.                        | Argentina               | 54 11 4 821 9999 |
| Oslinger Turf Equipment SA           | Ekvádor                 | 593 4 239 6970   |
| Oy Hako Ground and Garden Ab         | Finsko                  | 358 987 00733    |
| Parkland Products Ltd.               | Nový Zéland             | 64 3 34 93760    |
| Prochaska & Cie                      | Rakousko                | 43 1 278 5100    |
| RT Cohen 2004 Ltd.                   | Izrael                  | 972 986 17979    |
| Riversa                              | Španělsko               | 34 9 52 83 7500  |
| Roth Motorgerate GmbH & Co.          | Německo                 | 49 7144 2050     |
| Sc Svend Carlsen A/S                 | Dánsko                  | 45 66 109 200    |
| Solvvert S.A.S.                      | Francie                 | 33 1 30 81 77 00 |
| Spypros Stavrinides Limited          | Kypr                    | 357 22 434131    |
| Surge Systems India Limited          | Indie                   | 91 1 292299901   |
| T-Markt Logistics Ltd.               | Maďarsko                | 36 26 525 500    |
| Toro Australia                       | Austrálie               | 61 3 9580 7355   |
| Toro Europe BVBA                     | Belgie                  | 32 14 562 960    |



## Záruka Toro

### Podmínky a výrobky, na které se záruka vztahuje

Společnost The Toro® Company a její pobočka, Záruční společnost Toro, v souladu s úmluvou mezi nimi, společně slibují, že opraví níže uvedené produkty Toro za podmínky, že byly používány k domácím účelům\* a že došlo k vadě materiálu nebo provedení.

Následující časová období se uplatňují od data koupě:

#### Výrobky

Sekačky s pojezdem  
Ridery s motorem vzadu  
Zahradní traktory  
Elektrické ruční nástroje  
Sněhové frézy  
Sekačky Zero Turn

#### Záruční lhůta

Omezená záruka 2 roky  
Omezená záruka 2 roky  
Omezená záruka 2 roky  
Omezená záruka 2 roky  
Omezená záruka 2 roky

\*Původním kupujícím se označuje osoba, která produkt Toro původně zakoupila

\*Domácími účely se myslí použití výrobku na pozemku vašeho bydliště. Použití na více než jednom místě či použití v institucích či k pronájmu se považuje za komerční použití a na to se nevztahuje záruka.

### Omezená záruka pro komerční účely

Na spotřební produkty a příslušenství Toro využívané ke komerčnímu použití či k použití v institucích nebo k pronájmu se vztahuje záruka na vadu materiálu a provedení na následující časová období uplatňující se od data koupě.

#### Výrobky

Sekačky s pojezdem  
Ridery s motorem vzadu  
Zahradní traktory  
Elektrické ruční nástroje  
Sněhové frézy  
Sekačky Zero Turn

#### Záruční lhůta

Záruka 90 dní  
Záruka 90 dní  
Záruka 90 dní  
Záruka 90 dní  
Záruka 90 dní  
Záruka 45 dní

### Pokyny pro poskytnutí záruční opravy

Domníváte-li se, že výrobek Toro vykazuje závadu na materiálu nebo dílenském zpracování, postupujte podle následujících pokynů:

1. Opravu výrobku sjednejte s prodejcem, od kterého jste jej zakoupili. Pokud z jakéhokoli důvodu není možné prodejce kontaktovat, můžete se spojit s jakýmkoli autorizovaným distributorem Toro.
2. Přineste servisnímu prodejci produkt a doklad o koupi (účtenku). Pokud nejste z nějakého důvodu spokojeni s řešením servisního prodejce nebo s poskytnutou podporou, kontaktujte nás na:

Customer Care Department, Consumer Division  
The Toro Company  
8111 Lyndale Avenue South  
Bloomington, MN 55420-1196  
Ředitel: Technická podpora: 001-952-887-8248

Viz přiložený seznam distributorů

### Povinnosti vlastníka

Údržbu výrobku Toro musíte provádět v souladu s postupy údržby popsány v *Uživatelské příručce*. Tuto údržbu, ať již vlastními silami nebo prostřednictvím prodejce, hradí majitel výrobku.

### Součásti a úkony, na které se nevztahuje záruka

Tato expresní záruka nepokrývá následující:

- Náklady na běžný servis údržby nebo opotřeбенé díly, jako jsou nože (lopatky), stírací nože, pásy, pohonné látky, mazadla, výměny oleje, zapalovací svíčky, kabely/zapojení nebo seřízení brzd
- Jakýkoliv produkt nebo díl, který byl změněn nebo nesprávně použit a vyžaduje výměnu nebo opravu v důsledku poruch nebo nedostatku řádné údržby
- Opravy potřebné v důsledku nepoužití čerstvé pohonné látky (méně než měsíc staré) nebo nedodržení správné přípravy zařízení na dobu nepoužívání přesahující jeden měsíc
- Motor a spojka. Na tyto součásti se vztahují příslušné záruky výrobce se samostatnými podmínkami.

Všechny opravy kryté těmito zárukami musí být provedeny autorizovaným servisním prodejcem Toro a musí být na ně použity schválené náhradní díly.

### Obecné podmínky

Práva kupujícího jsou definována národními zákony příslušné země. Tato záruka žádným způsobem neomezuje práva kupujícího definovaná národními zákony.



# Tondeuse Recycler® 53 cm

N° de modèle 20997—N° de série 31000001 et suivants

Manuel de l'utilisateur

## Introduction

Cette tondeuse à conducteur marchant à lame rotative est destinée au grand public. Elle est principalement conçue pour tondre les pelouses bien entretenues des terrains privés. Elle n'est pas conçue pour couper les broussailles ni pour un usage agricole.

Lisez attentivement ces informations pour apprendre comment utiliser et entretenir correctement votre produit, et éviter de l'endommager ou de vous blesser. Vous êtes responsable de l'utilisation sûre et correcte du produit.

Vous pouvez contacter Toro directement à [www.Toro.com](http://www.Toro.com) pour tout renseignement concernant un produit ou un accessoire, pour obtenir l'adresse des concessionnaires ou pour enregistrer votre produit.

Lorsque vous contactez un distributeur ou un réparateur Toro agréé pour l'entretien de votre machine, pour vous procurer des pièces Toro d'origine ou pour obtenir des renseignements complémentaires, soyez prêt(e) à lui fournir les numéros de modèle et de série du produit. Figure 1 indique l'emplacement des numéros de modèle et de série du produit.

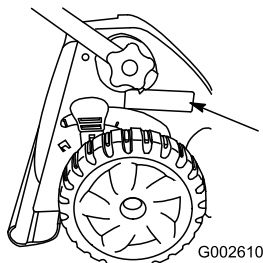


Figure 1

1. Plaque des numéros de modèle et de série

Notez les numéros de modèle et de série du produit dans l'espace ci-dessous :

|                    |
|--------------------|
| N° de modèle _____ |
| N° de série _____  |

Les mises en garde de ce manuel soulignent des dangers potentiels et sont signalées par le symbole de sécurité (Figure 2), qui indique un danger pouvant entraîner des blessures graves ou mortelles si les précautions recommandées ne sont pas respectées.



Figure 2

1. Symbole de sécurité

Deux termes sont également utilisés pour faire passer des informations essentielles. **Important**, pour attirer l'attention sur des informations mécaniques spécifiques, et **Remarque**, pour signaler des informations d'ordre général méritant une attention particulière.

Ce produit est conforme aux directives européennes pertinentes. Pour tout détail, reportez-vous à la Déclaration de conformité spécifique du produit fournie séparément.

Pour les modèles dont la puissance du moteur est indiquée, la puissance brute du moteur a été mesurée en laboratoire par le constructeur du moteur selon SAE J1940. Étant configuré pour satisfaire aux normes de sécurité, antipollution et d'exploitation, le moteur monté sur cette classe de tondeuse aura une puissance effective nettement inférieure.

Ne modifiez pas abusivement les commandes du moteur ni le réglage du régulateur de vitesse, cela risquerait de compromettre le fonctionnement sûr de la machine et de provoquer des blessures corporelles.

## Sécurité

**L'usage ou l'entretien incorrect de cette tondeuse peut occasionner des accidents. Pour réduire les risques, respectez les consignes de sécurité suivantes.**

La société Toro a conçu et testé votre tondeuse pour qu'elle fonctionne correctement et sans danger à condition de respecter rigoureusement les instructions de sécurité qui suivent. Le non-respect de ces instructions peut causer des accidents.

**Pour assurer le maximum de sécurité et de rendement et bien connaître le produit, il est essentiel que vous-même, et tout autre utilisateur de la machine, lisiez et compreniez le contenu de ce guide avant même de mettre le moteur en marche. Faites particulièrement attention au symbole de sécurité Figure 2 qui signifie Prudence, Attention ou Danger et concerne la sécurité des personnes. Veillez à lire et bien comprendre ces directives qui portent sur votre sécurité. Ne pas les respecter, c'est risquer de vous blesser.**

## Sécurité générale de la tondeuse

Les instructions suivantes sont adaptées de la norme EN 836.

Cette tondeuse peut sectionner les mains et les pieds, et projeter des objets. Le non-respect des consignes de sécurité qui suivent peut entraîner des accidents graves ou mortels.

### Apprendre à se servir de la machine

- Lisez attentivement les instructions. Familiarisez-vous avec les commandes et l'utilisation de la machine.
- N'autorisez jamais des enfants, ou des adultes n'ayant pas pris connaissance de ces instructions, à utiliser la tondeuse. Certaines législations imposent un âge minimum pour l'utilisation de ce type d'engin.
- N'oubliez jamais que l'utilisateur est responsable de tout accident ou dommage causé aux autres personnes et à leurs possessions.
- Apprenez la signification de tous les symboles utilisés sur la tondeuse ou dans les instructions.

### Essence

**ATTENTION** – L'essence est très inflammable. Prenez les précautions suivantes :

- Conservez le carburant dans un récipient spécialement conçu à cet effet.
- Faites toujours le plein à l'extérieur, et ne fumez jamais durant cette opération.
- Faites le plein avant de mettre le moteur en marche. N'enlevez jamais le bouchon du réservoir de carburant et n'ajoutez jamais de carburant lorsque le moteur tourne ou qu'il est chaud.
- Si vous renversez de l'essence, ne mettez pas le moteur en marche. Éloignez la tondeuse et

évitée toute source possible d'inflammation jusqu'à dissipation complète des vapeurs d'essence.

- Refermez soigneusement tous les réservoirs et récipients contenant du carburant.

### Préparation

- Portez toujours un pantalon et des chaussures solides pour travailler. Ne tondez pas pieds nus ou en sandales.
- Inspectez soigneusement la zone de travail et enlevez tous les objets susceptibles d'être projetés par la machine (pierres, branches, câbles, etc.).
- Avant d'utiliser la tondeuse, vérifiez toujours si les capots et les dispositifs de sécurité, comme les déflecteurs et/ou les bacs à herbe, sont en place et fonctionnent correctement.
- Avant d'utiliser la machine, vérifiez toujours si les lames, boulons de lames et ensembles de coupe ne sont pas usés ou endommagés. Remplacez les boulons et les lames usés ou endommagés par paires pour ne pas modifier l'équilibre.

### Démarrage

- N'inclinez pas la tondeuse lorsque vous démarrez le moteur, à moins que ce ne soit indispensable au démarrage. Dans ce cas, ne la relevez pas plus qu'il n'est indispensable, et ne relevez que la partie éloignée de l'utilisateur.
- Mettez le moteur en marche avec précaution, conformément aux instructions, et n'approchez pas les pieds des lames ou de l'avant de l'éjecteur.

### Utilisation

- Ne tondez jamais lorsque des personnes, et surtout des enfants ou des animaux familiers, se trouvent à proximité.
- Tondez uniquement à la lumière du jour ou avec un bon éclairage artificiel.
- Méfiez-vous des trous et autres dangers cachés de la zone de travail.
- N'approchez pas les mains ni les pieds des pièces en rotation. Ne vous tenez jamais devant l'ouverture d'éjection.
- Ne soulevez et ne portez jamais une tondeuse dont le moteur tourne.
- Soyez extrêmement prudent en marche arrière ou quand vous tirez une tondeuse à conducteur marchant vers vous.
- Marchez, ne courez pas.
- Pentes :

- Ne tondez pas de pentes trop raides.
- Soyez extrêmement prudent sur un terrain en pente.
- Travaillez transversalement à la pente, jamais en montant ou en descendant et soyez extrêmement prudent pour faire demi-tour.
- Sur les terrains en pente, faites particulièrement attention de ne pas glisser.
- Ralentissez sur les pentes et dans les virages serrés pour ne pas perdre le contrôle de la machine ou la retourner.
- Arrêtez la lame avant d'incliner la tondeuse pour traverser des surfaces non herbeuses et pour vous déplacer entre les surfaces de travail.
- Ne faites pas tourner le moteur dans un espace clos où le monoxyde de carbone dangereux dégagé par l'échappement risque de s'accumuler.
- Arrêtez le moteur
  - avant de quitter la tondeuse.
  - avant de faire le plein de carburant.
  - avant de retirer le bac à herbe.
  - avant de régler la hauteur de coupe, sauf si ce réglage peut se faire depuis la position de conduite.
- Coupez le moteur et débranchez la bougie
  - avant de dégager ou désobstruer l'éjecteur.
  - avant tout contrôle, tout nettoyage ou toute intervention sur la tondeuse.
  - après avoir heurté un obstacle, recherchez et réparez les dégâts éventuels de la tondeuse avant de la remettre en marche et de l'utiliser.
  - si la tondeuse se met à vibrer de manière inhabituelle (contrôlez immédiatement).
- La foudre peut provoquer des blessures graves ou mortelles. Si vous observez la foudre ou que vous entendez le tonnerre à proximité, n'utilisez pas la machine et mettez-vous à l'abri.
- Méfiez-vous de la circulation près des routes et pour traverser.
- N'entreposez jamais une machine dont le réservoir contient de l'essence dans un local où les vapeurs risquent de rencontrer une flamme nue ou une étincelle.
- Laissez refroidir le moteur avant de ranger la machine dans un local fermé.
- Pour réduire les risques d'incendie, débarrassez le moteur, le silencieux, le bac à batterie et le lieu de stockage de l'essence de tout excès de graisse, débris d'herbe et feuilles.
- Vérifiez fréquemment l'état des composants du bac à herbe et du déflecteur d'éjection, et remplacez les pièces qui en ont besoin par des pièces recommandées par le constructeur.
- Remplacez les pièces usées ou endommagées pour éviter les accidents.
- Remplacez les silencieux défectueux.
- La vidange du réservoir de carburant doit impérativement s'effectuer à l'extérieur.
- Ne modifiez pas le réglage du régulateur et ne faites pas tourner le moteur trop vite, sous peine d'accroître les risques d'accidents et de blessures corporelles.
- Attention, sur les machines à plusieurs lames, la rotation d'une lame peut entraîner le déplacement des autres lames.
- Soyez prudent pendant le réglage de la tondeuse pour éviter de vous coincer les doigts entre les lames en rotation et les pièces fixes de la tondeuse.
- **Pour préserver le bon fonctionnement et la sécurité de la machine, n'utilisez que des pièces de rechange et des accessoires Toro d'origine. N'utilisez pas de pièces et accessoires soit-disant compatibles, car ils présentent un risque.**

## Entretien et remisage

- Gardez tous les écrous, boulons et vis toujours bien serrés pour être sûr de pouvoir utiliser la machine sans danger.
- N'utilisez pas de matériel de nettoyage sous pression pour nettoyer la machine.

## Pression acoustique

Cette machine produit au niveau de l'oreille de l'utilisateur une pression acoustique de 89 dBA, qui comprend une valeur d'incertitude (K) de 1 dBA. La pression acoustique est déterminée en conformité avec les procédures énoncées dans la norme EN 836.

## Puissance acoustique

Cette machine a un niveau de puissance acoustique garanti de 98 dBA, qui comprend une valeur d'incertitude (K) de 1 dBA. La puissance acoustique est déterminée en conformité avec les procédures énoncées dans la norme ISO 11094.

# Vibrations au niveau des mains et des bras

Niveau de vibrations mesuré pour la main gauche =  
4,7 m/s<sup>2</sup>

Niveau de vibrations mesuré pour la main droite =  
4,6 m/s<sup>2</sup>

Valeur d'incertitude (K) = 2,4 m/s<sup>2</sup>.

Les valeurs mesurées sont déterminées en conformité  
avec les procédures énoncées dans la norme EN 836.

# Autocollants de sécurité et d'instruction

**Important:** Les autocollants de sécurité et d'instruction sont placés près des endroits potentiellement dangereux. Remplacez les autocollants endommagés.



107-1946

1. Guidon redressé
2. Guidon plié
3. Relâcher le commutateur au pied pour plier le guidon



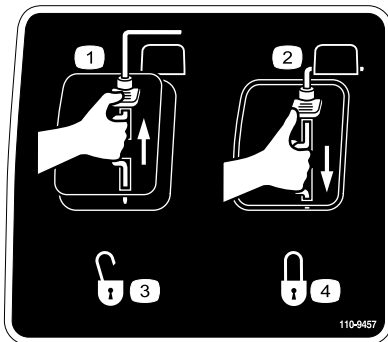
108-7450

1. Hauteur de coupe



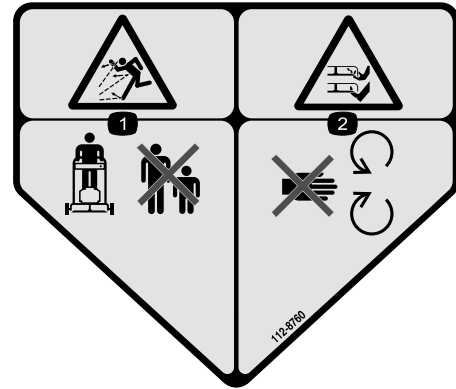
108-7451

1. Hauteur de coupe



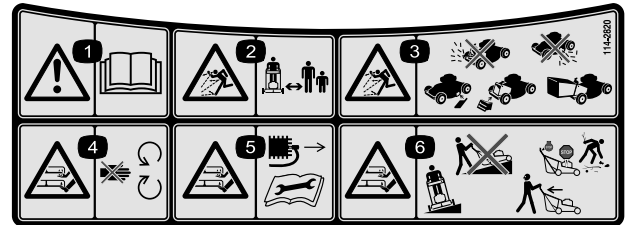
110-9457

1. Arrêt du moteur
2. Démarrage du moteur
3. Débloqué
4. Bloqué



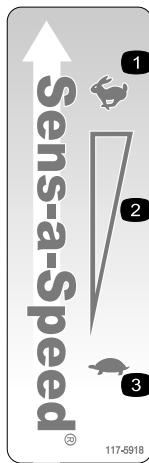
112-8760

1. Risque de projections – tenez les spectateurs à bonne distance de la machine.
2. Risque de coupure/mutilation des mains ou des pieds – ne vous approchez pas des pièces mobiles.



114-2820

1. Attention – lisez le *Manuel de l'utilisateur*.
2. Risque de projections – tenez les spectateurs à bonne distance de la machine.
3. Risque de projections – n'utilisez pas la tondeuse si l'obturateur de l'éjecteur arrière, le bac à herbe, le couvercle de l'éjecteur latéral ou le déflecteur ne sont pas en place.
4. Risque de coupure/mutilation des mains ou des pieds par la lame de la tondeuse – ne vous approchez pas des pièces mobiles.
5. Risque de coupure/mutilation des mains ou des pieds par la lame de la tondeuse – enlevez la clé de contact et lisez les instructions avant de procéder à l'entretien ou à des révisions.
6. Risque de coupure/mutilation des mains ou des pieds par la lame de la tondeuse – ne travaillez pas dans le sens de la pente, mais transversalement ; arrêtez le moteur avant de quitter la position de conduite et regardez derrière vous avant de faire marche arrière.



117-5918

1. Haut régime
2. Réglage de vitesse continu
3. Bas régime



119-3796

1. Pour engager la lame, relâchez le contacteur de sécurité.
2. Rapprochez la barre de commande du guidon.

# Mise en service

**Important:** Retirez et mettez au rebut la pellicule de plastique qui protège le moteur.

## 1

### Dépliage du guidon

**Aucune pièce requise**

### Procédure

1. Dépliez le guidon comme illustré à la Figure 3 et Figure 4.

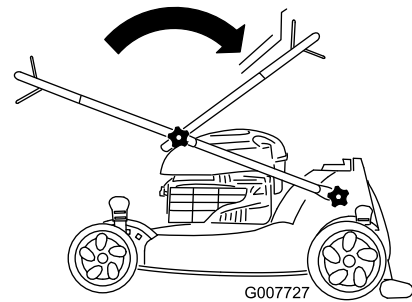


Figure 3

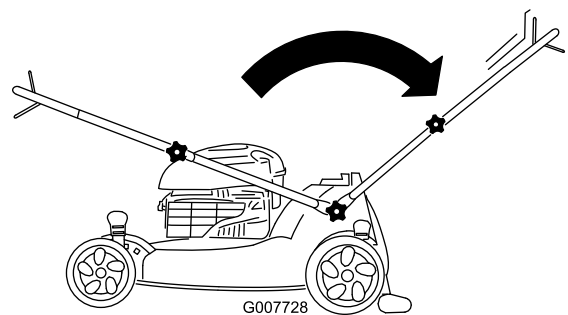


Figure 4

2. Serrez solidement tous les boutons du guidon.

# 2

## Plein d'huile moteur

Aucune pièce requise

### Procédure

**Important:** Le carter moteur de la tondeuse est vide à la livraison.

1. Retirez la jauge (Figure 5).

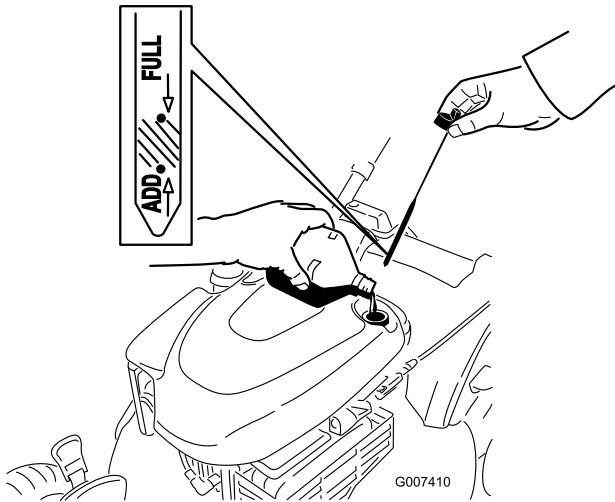


Figure 5

2. Versez de l'huile **lentement** dans le goulot de remplissage pour faire monter le niveau de liquide jusqu'au repère **maximum** (Full) sur la jauge (Figure 5). **Ne remplissez pas excessivement.** (Remplissage max. : 0,59 l, type : huile détergente SAE 30 de classe de service API SF, SG, SH, SJ, SL ou supérieure.)

**Remarque:** Si vous remplissez excessivement le moteur, vidangez un peu d'huile comme expliqué à la section Vidange et remplacement de l'huile moteur.

3. Revissez la jauge fermement en place.

**Important:** Changez l'huile moteur après les 5 premières heures de fonctionnement, puis une fois par an (voir Vidange et remplacement de l'huile moteur).

# 3

## Installer l'obturateur de mulching ou le bac à herbe

Aucune pièce requise

### Procédure

Montez correctement l'obturateur de mulching (pour le mulching ou l'éjection latérale) ou le bac à herbe (pour le ramassage) ou **le moteur ne pourra pas démarrer.**

La tondeuse est équipée d'un contacteur de sécurité situé au fond d'un logement, en haut à droite à l'arrière de la tondeuse. Il interdit le fonctionnement de la tondeuse en l'absence de l'obturateur de mulching ou du bac à herbe. Cela évite la projection de débris en direction de l'utilisateur par l'éjecteur arrière.

Pour que le contacteur détecte la présence de l'obturateur de mulching, le haut du levier de l'obturateur doit être **complètement en appui au fond du logement** (Figure 6).

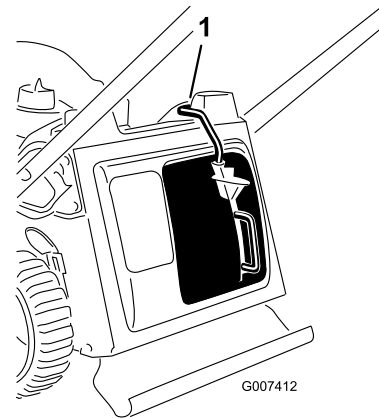


Figure 6

1. Haut de levier de l'obturateur de mulching dans le logement du contacteur

1. Si ce n'est déjà fait, insérez l'obturateur de mulching dans le plateau de coupe (Figure 7).

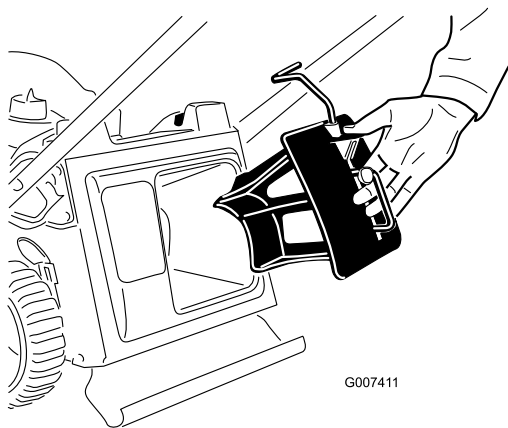


Figure 7

- Appuyez sur le bouton du levier avec le pouce et insérez complètement l'obturateur de mulching dans l'ouverture (Figure 8).

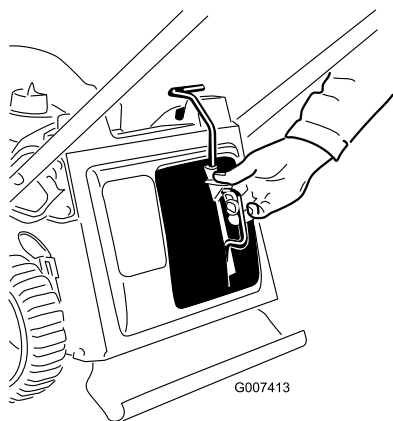


Figure 8

- Relâchez le bouton sur le levier et vérifiez que le haut du levier est bien au fond du logement du contacteur (Figure 9). **La tondeuse ne pourra pas démarrer si ce n'est pas le cas !**

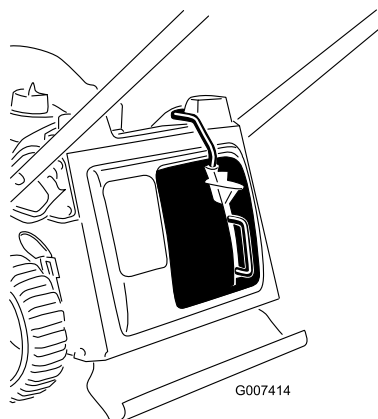


Figure 9

**Remarque:** Si le levier ne se verrouille pas correctement, débranchez la bougie et éliminez les débris éventuellement accumulés dans le logement.

## Vue d'ensemble du produit

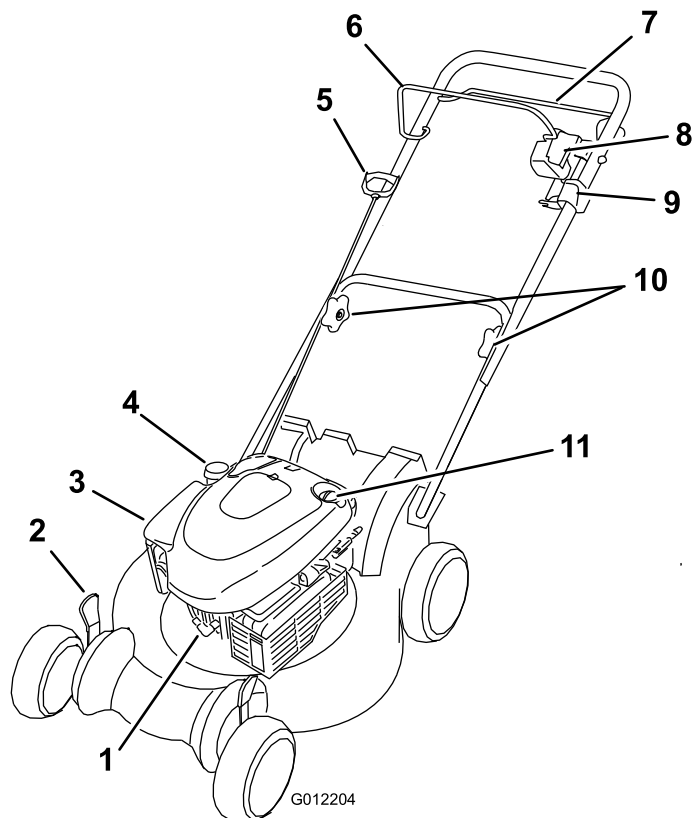


Figure 10

- |                                      |                                  |
|--------------------------------------|----------------------------------|
| 1. Bougie                            | 7. Barre d'autotraction          |
| 2. Levier de hauteur de coupe (4)    | 8. Bouton de commande de la lame |
| 3. Filtre à air                      | 9. Commutateur d'allumage        |
| 4. Bouchon du réservoir de carburant | 10. Boutons de guidon            |
| 5. Poignée du lanceur                | 11. Bouchon de remplissage/jauge |
| 6. Barre de commande de la lame      |                                  |

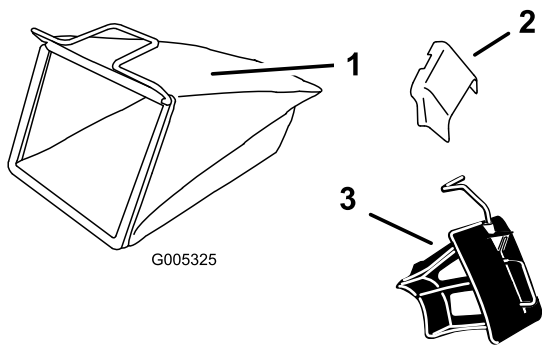


Figure 11

1. Bac à herbe
2. Éjecteur latéral
3. Obturbateur de mulching (monté)

et utilisez de l'essence stockée depuis moins d'un mois.

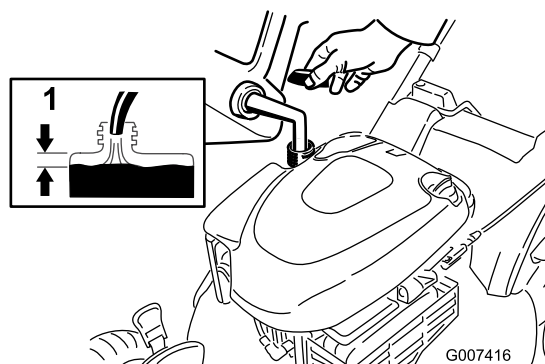


Figure 12

1. 1 cm

## Caractéristiques techniques

| Modèle | Poids | Longueur | Largeur | Hauteur |
|--------|-------|----------|---------|---------|
| 20997  | 37 kg | 157 cm   | 56 cm   | 112 cm  |

## Utilisation

### Remplissage du réservoir de carburant

#### **⚠ DANGER**

L'essence est extrêmement inflammable et explosive. Un incendie ou une explosion causé(e) par l'essence peut vous brûler, ainsi que les personnes se tenant à proximité.

- Pour éviter que l'électricité statique n'enflamme l'essence, posez le récipient et/ou la tondeuse directement sur le sol, pas dans un véhicule ou sur un support quelconque, avant de faire le plein.
- Faites le plein du réservoir de carburant quand le moteur est froid. Essayez le carburant éventuellement répandu.
- Ne fumez jamais en manipulant de l'essence et tenez-vous à l'écart des flammes nues ou des sources d'étincelles.
- Conservez l'essence dans un récipient homologué, hors de portée des enfants.

Faites le plein avec de l'essence sans plomb ordinaire fraîche d'une marque réputée (Figure 12).

**Important:** Pour réduire les problèmes de démarrage, ajoutez un stabilisateur à chaque plein

## Contrôle du niveau d'huile moteur

**Périodicité des entretiens:** À chaque utilisation ou une fois par jour

1. Retirez la jauge, essuyez-la sur un chiffon et remettez-la dans le goulot de remplissage (Figure 13).

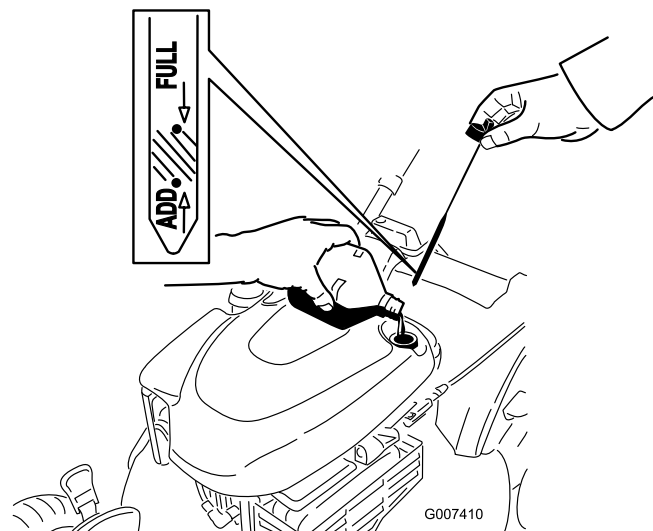


Figure 13

2. Sortez de nouveau la jauge et contrôlez le niveau d'huile (Figure 13). Si le niveau n'atteint pas le repère **minimum** (Add) de la jauge, versez lentement suffisamment d'huile dans le goulot de remplissage pour faire monter le niveau au repère **maximum** (Full). **Ne remplissez pas excessivement.** (Remplissage max. : 0,59 l, type : huile détergente SAE 30 de classe de service API SF, SG, SH, SJ, SL ou supérieure.)
3. Revissez la jauge fermement en place.

# Réglage de la hauteur de coupe

## ⚠ ATTENTION

Pendant le réglage de la hauteur de coupe, vous risquez de toucher la lame en mouvement et de vous blesser gravement.

- Arrêtez le moteur et attendez l'arrêt de toutes les pièces mobiles.
- Ne mettez pas les doigts sous le carter du plateau de coupe quand vous réglez la hauteur de coupe.

## ⚠ PRUDENCE

Si le moteur vient de tourner, le silencieux est très chaud et risque de vous brûler gravement. Ne vous approchez pas du silencieux encore chaud.

Choisissez la hauteur de coupe voulue. Réglez les quatre roues à la même hauteur.

**Remarque:** Pour élever le plateau de coupe, déplacez les 4 leviers de hauteur de coupe en avant ; pour abaisser le plateau, ramenez les leviers en arrière (Figure 14).

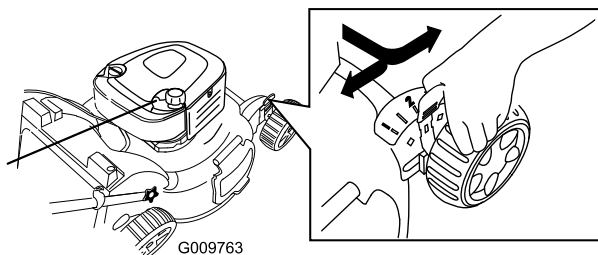


Figure 14

**Remarque:** Les hauteurs de coupe suivantes sont disponibles : 25 mm, 38 mm, 51 mm, 64 mm, 76 mm, 89 mm, 102 mm et 114 mm.

## Démarrage du moteur

**Important:** La tondeuse est équipée d'un contacteur de sécurité qui l'empêche de démarrer si l'obturateur de mulching ou le bac à herbe n'est pas monté correctement.

1. Montez l'obturateur de mulching (Figure 15) ou le bac à herbe (Figure 16) sur la tondeuse.

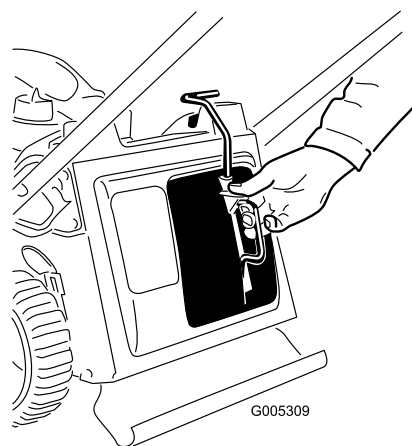


Figure 15

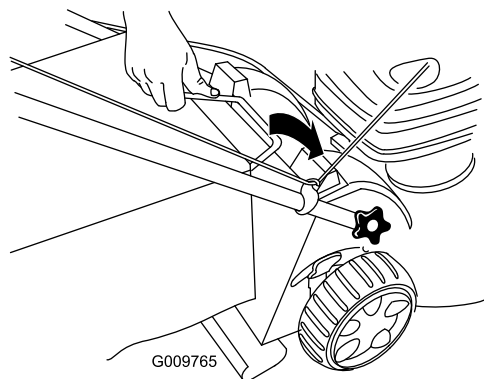


Figure 16

2. Si le commutateur d'allumage de votre tondeuse (Figure 10) est à bascule (avec une position marche ("I") et une position arrêt ("Stop")), poussez-e à la position "I". Sinon passez à l'étape 3.
3. Tirez la poignée du lanceur (Figure 17) jusqu'à ce que vous sentiez une résistance, puis tirez vigoureusement.

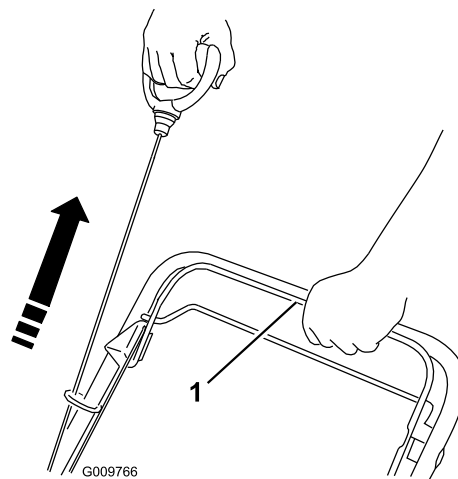


Figure 17

1. Barre de commande de la lame

**Remarque:** Si le moteur ne démarre pas, contactez un réparateur agréé.

## Utilisation de la commande d'autotraction

Pour actionner le système d'autotraction, serrez et maintenez la barre de commande (Figure 18) contre le guidon.

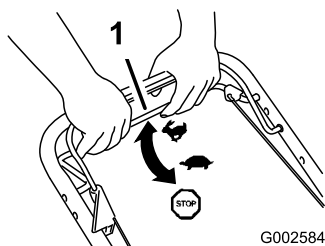


Figure 18

1. Barre d'autotraction

Pour désengager l'autotraction, relâchez la barre d'autotraction.

**Remarque:** La vitesse de déplacement maximale est fixe. Pour ralentir, éloignez la barre d'autotraction du guidon.

## Arrêt du moteur

**Périodicité des entretiens:** À chaque utilisation ou une fois par jour—Vérifiez que le moteur s'arrête dans les 3 secondes suivant le relâchement de la barre de commande de la lame.

Si le commutateur d'allumage de votre tondeuse (Figure 10) est à bascule (avec une position marche ("I") et une position arrêt ("Stop")), poussez-e à la position "Stop". Vous pouvez aussi maintenir le commutateur d'allumage en position "Stop" jusqu'à l'arrêt du moteur.

**Important:** Lorsque vous relâchez la barre de commande de la lame, le moteur et la lame doivent s'arrêter en moins de 3 secondes. Si ce n'est pas le cas, arrêtez immédiatement d'utiliser la tondeuse et adressez-vous à un concessionnaire agréé.

## Engagement de la lame

**Remarque:** La lame ne tourne pas automatiquement quand le moteur démarre. Il faut engager la lame pour tondre.

Appuyez sur le bouton de commande de la lame et rapprochez la barre de commande du guidon (Figure 19).

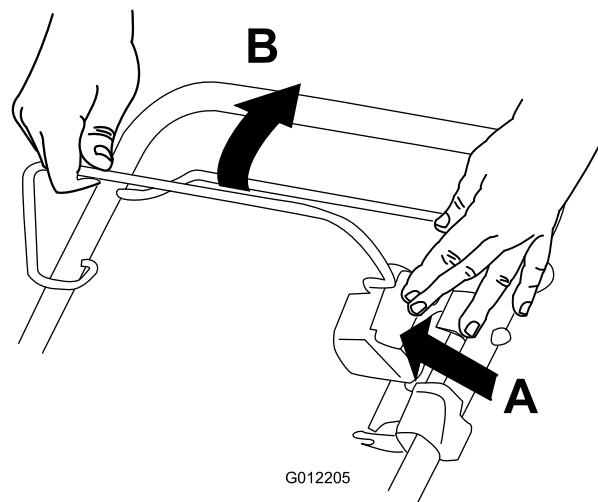


Figure 19

## Débrayage de la lame

Relâchez la barre de commande de la lame.

**Important:** Lorsque vous relâchez la barre de commande, la lame doit s'arrêter en moins de 3 secondes. Si ce n'est pas le cas, arrêtez immédiatement d'utiliser la tondeuse et adressez-vous à un concessionnaire agréé.

## Contrôle du fonctionnement du débrayage du frein de lame

Vérifiez la barre de commande avant chaque utilisation pour vous assurer du bon fonctionnement du débrayage du frein de la lame.

## Utilisation du bac à herbe

**Périodicité des entretiens:** À chaque utilisation ou une fois par jour

Vous pouvez utiliser le bac à herbe pour effectuer un contrôle supplémentaire du système de débrayage du frein de lame.

1. Placez le bac vide sur la tondeuse.
2. Mettez le moteur en marche.
3. Engagez la lame.

**Remarque:** Le bac doit commencer à se gonfler, ce qui indique que la lame est engagée et a commencé à tourner.

4. Relâchez la barre de commande de la lame.

**Remarque:** Si le bac ne se gonfle pas immédiatement, cela signifie que la lame est encore

en train de tourner. Le système de débrayage des freins de lames est peut-être défectueux et, si vous n'en tenez pas compte, vous risquez de compromettre le fonctionnement sûr de la machine. Demandez à un réparateur agréé de contrôler et de réviser la tondeuse.

5. Arrêtez le moteur et attendez l'arrêt de toutes les pièces mobiles.

## Utilisation sans le bac à herbe

1. Amenez la tondeuse sur une surface revêtue à l'abri du vent.
2. Réglez les 4 roues à la hauteur de coupe de 83 mm.
3. Roulez en boule une demi-feuille de papier journal (environ 76 mm) et placez-la sous le plateau de coupe.
4. Placez la boule de papier journal à 13 cm devant la tondeuse.
5. Mettez le moteur en marche.
6. Engagez la lame.
7. Relâchez la barre de commande de la lame.
8. Poussez immédiatement la tondeuse sur la boule de papier journal.
9. Arrêtez le moteur et attendez l'arrêt de toutes les pièces mobiles.
10. Passez devant la tondeuse et examinez la boule de papier journal.

**Remarque:** Si elle n'est pas passée sous le plateau de coupe, répétez les étapes à .

11. Si la boule est déroulée ou déchiquetée, cela signifie que la lame ne s'est pas arrêtée correctement et que la machine n'est pas sûre. Adressez-vous à un réparateur agréé.

## Mulching

À la livraison, votre tondeuse est prête pour le "mulching", c.-à-d. prête à broyer l'herbe et les feuilles coupées pour nourrir votre pelouse.

Si le bac à herbe est monté sur la tondeuse, retirez-le (voir Retrait du bac à herbe) avant de procéder au mulching. Si l'éjecteur latéral est monté sur la tondeuse, retirez-le et verrouillez-en le volet (voir Retrait de l'éjecteur latéral) avant de procéder au mulching de l'herbe coupée.

**Important:** La tondeuse est équipée d'un contacteur de sécurité qui l'empêche de démarrer si l'obturateur de mulching n'est pas monté correctement (Figure 20).

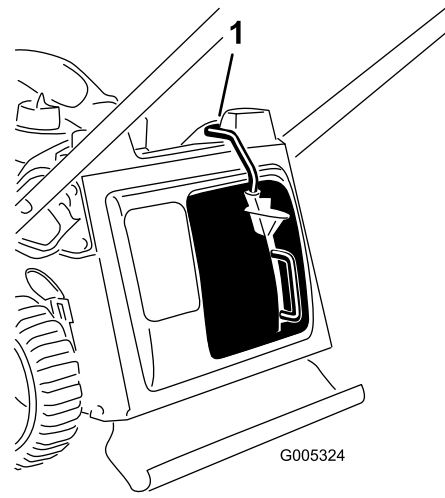


Figure 20

1. Haut de levier de l'obturateur de mulching dans le logement du contacteur

## Ramassage de l'herbe coupée

Utilisez le bac à herbe pour recueillir les débris d'herbe et de feuilles déposés sur la pelouse.

Si l'éjecteur latéral est monté sur la tondeuse, retirez-le et verrouillez le volet latéral (voir Retrait de l'éjecteur latéral) avant de procéder au ramassage de l'herbe coupée.

### ⚠ ATTENTION

La lame est tranchante et vous risquez de vous blesser gravement à son contact.

Coupez le moteur et attendez l'arrêt de toutes les pièces en mouvement avant de quitter la position de conduite.

## Montage du bac à herbe

1. Enlevez l'obturateur de mulching (Figure 21).

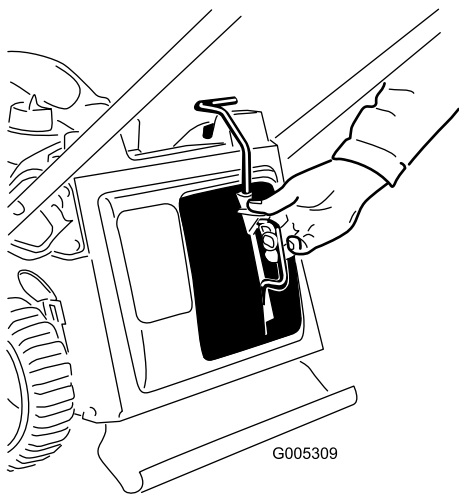


Figure 21

2. Faites passer le câble du lanceur autour du guide inférieur (Figure 22).

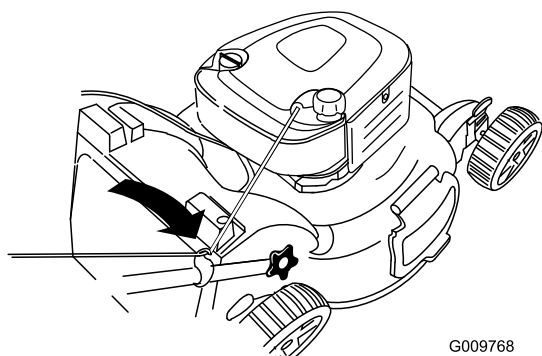


Figure 22

**Remarque:** Le guide inférieur libère le câble du lanceur quand vous tirez sur la poignée.

3. Insérez la poignée du bac à herbe dans les rainures en haut de la machine (Figure 23).

**Important:** La tondeuse est équipée d'un contacteur de sécurité qui l'empêche de démarrer si le bac à herbe n'est pas monté correctement.

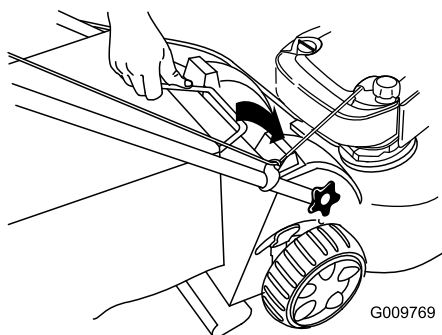


Figure 23

## Retrait du bac à herbe

1. Faites passer le câble du lanceur autour du guide inférieur (Figure 24).

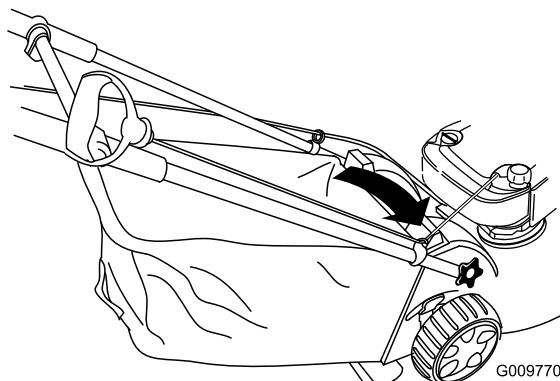


Figure 24

2. Soulevez le bac à herbe par la poignée pour le dégager des rainures en haut de la tondeuse, ce qui permettra de le retirer (Figure 25).

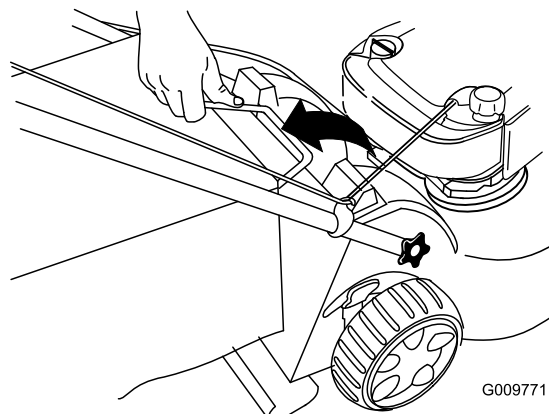


Figure 25

3. Insérez l'obturateur de mulching (Figure 26).

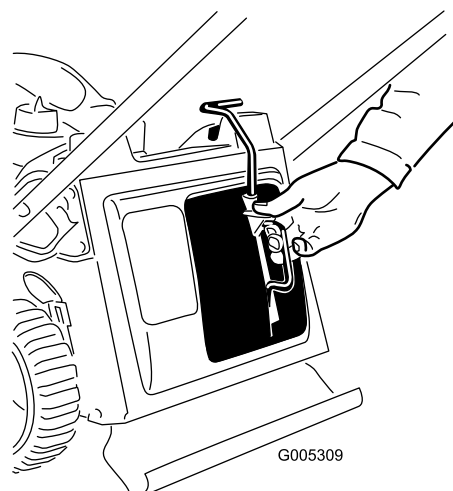


Figure 26

# Éjection latérale de l'herbe coupée

Utilisez l'éjection latérale quand vous tondez de l'herbe très haute.

Si le bac à herbe est monté sur la tondeuse, retirez-le et insérez l'obturateur de mulching (voir Retrait du bac à herbe) avant de procéder à l'éjection latérale.

**Important:** La tondeuse est équipée d'un contacteur de sécurité qui l'empêche de démarrer si l'obturateur de mulching n'est pas monté correctement (voir la rubrique Mulching).

## Pose de l'éjecteur latéral

1. Déverrouillez le volet d'éjection latérale (Figure 27).

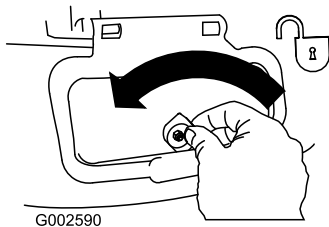


Figure 27

2. Soulevez et ouvrez le volet d'éjection latérale (Figure 28).

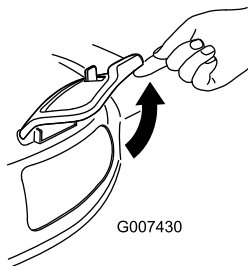


Figure 28

3. Montez l'éjecteur latéral et rabattez le volet sur l'éjecteur (Figure 29).

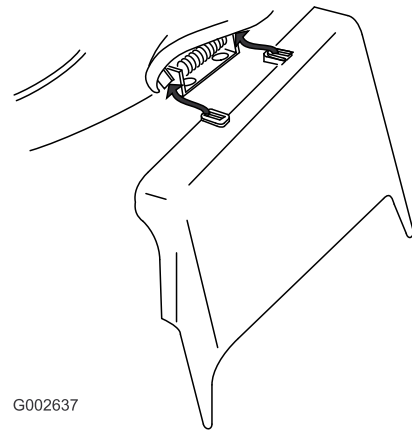


Figure 29

## Retrait de l'éjecteur latéral

Pour retirer l'éjecteur latéral, inversez la procédure de montage décrite plus haut.

**Important:** Verrouillez le volet d'éjection latérale après l'avoir fermé (Figure 30).

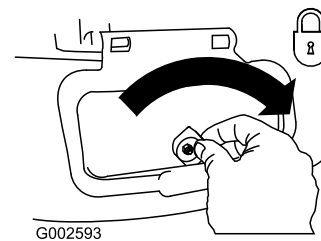


Figure 30

## Conseils d'utilisation

### Conseils de tonte généraux

- Débarrassez la zone de travail des branches, pierres, câbles, bâtons et autres débris qui pourraient être ramassés et projetés par la lame.
- Évitez de heurter des obstacles avec la lame. Ne passez jamais intentionnellement sur un objet quel qu'il soit.
- Si la tondeuse a heurté un obstacle ou commence à vibrer, coupez immédiatement le moteur, débranchez la bougie et vérifiez si la tondeuse n'est pas endommagée.
- Pour de meilleurs résultats, montez une lame neuve au début de la saison de tonte.
- Remplacez la lame dès que nécessaire par une lame Toro d'origine.

## La tonte

- Ne tondez l'herbe que sur 1/3 de sa hauteur à chaque fois. N'utilisez pas une hauteur de coupe inférieure à 51 mm, sauf si l'herbe est clairsemée ou à la fin de l'automne quand la pousse commence à ralentir. (voir Réglage de la hauteur de coupe).
- Si l'herbe fait plus de 15 cm, effectuez un premier passage à vitesse réduite à la hauteur de coupe la plus haute. Effectuez un deuxième passage à une hauteur de coupe inférieure pour obtenir une coupe plus esthétique. L'herbe trop longue risque d'obstruer la tondeuse et de faire caler le moteur.
- Ne tondez que si l'herbe ou les feuilles sont sèches. L'herbe et les feuilles humides ont tendance à s'agglomérer sur la pelouse et risquent d'obstruer la tondeuse et de faire caler le moteur.

### **⚠ ATTENTION**

**En travaillant sur l'herbe ou les feuilles humides, vous risquez de glisser et de vous blesser gravement si vous touchez la lame en tombant. Ne tondez que si l'herbe est sèche.**

- Alternez la direction de la tonte pour disperser les déchets plus uniformément et obtenir une fertilisation plus homogène.
- Si l'aspect de la pelouse tondue n'est pas satisfaisant, essayez une ou plusieurs des solutions suivantes :

- Remplacez la lame ou faites-la aiguiser.
- Tondez en avançant plus lentement.
- Augmentez la hauteur de coupe.
- Tondez plus souvent.
- Empiétez sur les passages précédents pour ne tondre qu'une largeur de bande réduite.
- Réglez la hauteur de coupe des roues avant un cran en dessous de celle des roues arrière. Par exemple, réglez les roues avant à 51 mm et les roues arrière à 64 mm.

## Hachage des feuilles

- Après la tonte, 50 % de la pelouse doit être visible sous la couche de feuilles hachées. À cet effet, vous devrez peut-être repasser plusieurs fois sur les feuilles.
- Si la couche de feuilles fait plus de 13 cm d'épaisseur, réglez les roues avant un ou deux crans plus haut que les roues arrière.
- Ralentissez la vitesse de déplacement si les feuilles ne sont pas hachées assez menues.

## Entretien

**Remarque:** Les côtés gauche et droit de la machine sont déterminés d'après la position de conduite.

### Programme d'entretien recommandé

| Périodicité d'entretien                        | Procédure d'entretien  |
|--|--|
| Après les 5 premières heures de fonctionnement | <ul style="list-style-type: none"><li>• Vidangez et changez l'huile moteur.</li></ul>  |
| À chaque utilisation ou une fois par jour      | <ul style="list-style-type: none"><li>• Contrôlez le niveau d'huile moteur.</li><li>• Vérifiez que le moteur s'arrête dans les 3 secondes suivant le relâchement de la barre de commande de la lame.</li><li>• Vérifiez le fonctionnement du débrayage du frein de lame.</li><li>• Enlevez l'herbe coupée et autres débris accumulés sous le plateau de coupe.</li></ul> |
| Toutes les 25 heures                           | <ul style="list-style-type: none"><li>• Remplacez le filtre à air une fois par an ou plus souvent s'il y a beaucoup de poussière.</li></ul>  |
| Avant le remisage                              | <ul style="list-style-type: none"><li>• Vidangez le réservoir de carburant avant le remisage et avant les réparations qui le nécessitent</li></ul>   |
| Une fois par an                                | <ul style="list-style-type: none"><li>• Vidangez et changez l'huile moteur.</li><li>• Lubrifiez les engrenages des roues.</li><li>• Remplacez la lame ou faites-la aiguiser (plus souvent si elle s'émousse rapidement).</li><li>• Consultez votre Manuel d'utilisation du moteur pour toutes procédures d'entretien annuel supplémentaires.</li></ul>                   |

**Important:** Reportez-vous au *Manuel d'utilisation du moteur* pour toutes procédures d'entretien supplémentaires.

## Préparation à l'entretien

1. Arrêtez le moteur et attendez l'arrêt de toutes les pièces mobiles.
2. Débranchez la bougie (Figure 31) avant de procéder à un quelconque entretien.

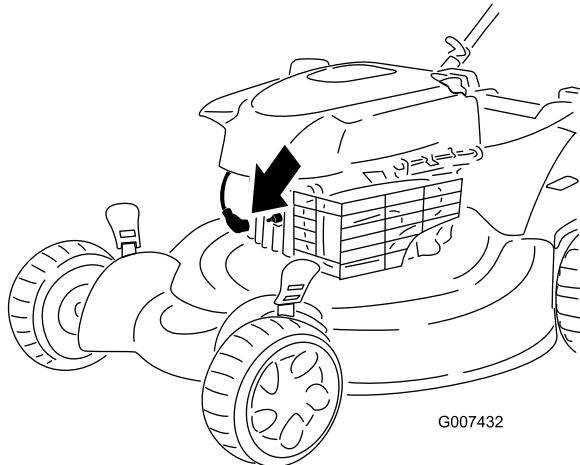


Figure 31

3. Lorsque l'entretien est terminé, rebranchez la bougie.

**Important:** Avant de basculer la tondeuse pour vidanger l'huile ou remplacer la lame, laissez le moteur en marche jusqu'à ce qu'il s'arrête faute de carburant. Si vous ne pouvez pas attendre que le moteur s'arrête par manque de carburant, utilisez une pompe manuelle pour vider le reste de carburant. Basculez toujours la tondeuse sur le côté (filtre à air vers le haut).

### ⚠ ATTENTION

Du carburant peut s'échapper lorsque la tondeuse est basculée sur le côté. L'essence est inflammable et explosive, et peut provoquer des blessures.

Laissez tourner le moteur jusqu'à ce qu'il s'arrête faute de carburant ou vidangez le reste d'essence avec une pompe manuelle, pas un siphon.

## Remplacement du filtre à air

**Périodicité des entretiens:** Toutes les 25 heures

Remplacez le filtre à air une fois par an ou plus souvent s'il y a beaucoup de poussière (voir Préparation à l'entretien).

1. Ouvrez le couvercle du filtre à air avec un tournevis (Figure 32)

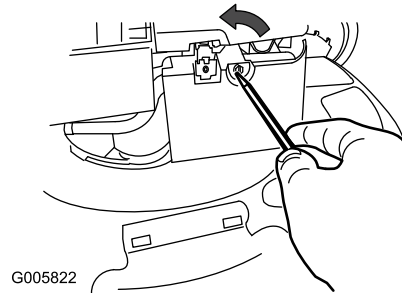


Figure 32

2. Remplacez le filtre à air (Figure 33).

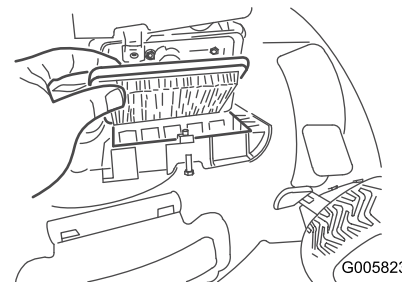


Figure 33

3. Remettez le couvercle en place.

## Vidange et remplacement de l'huile moteur

**Périodicité des entretiens:** Après les 5 premières heures de fonctionnement

Une fois par an

Faites tourner le moteur pendant quelques minutes avant la vidange pour réchauffer l'huile. L'huile chaude s'écoule plus facilement et entraîne plus d'impuretés.

1. Effectuez les préparatifs d'entretien (voir Préparation à l'entretien).
2. Retirez la jauge (Figure 34).

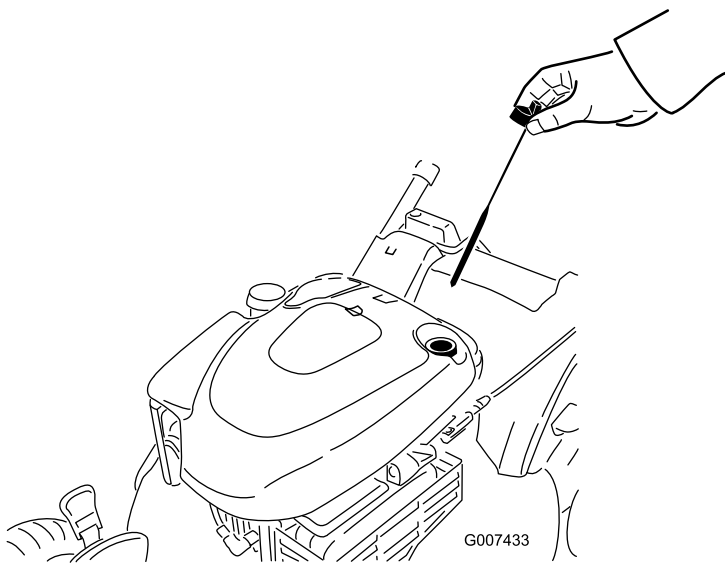


Figure 34

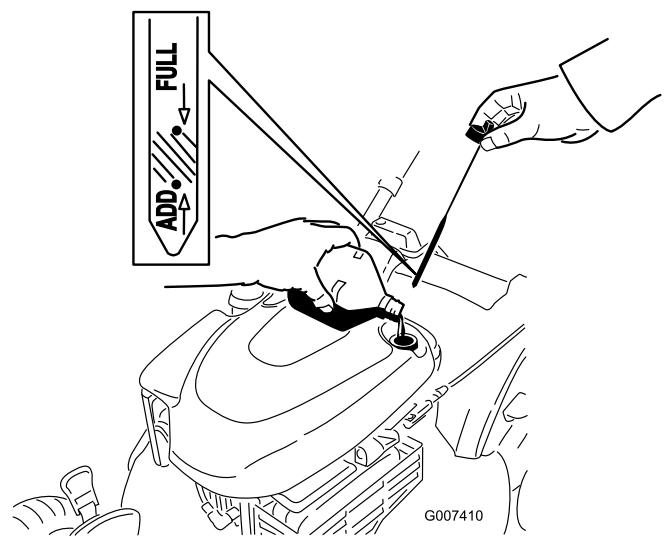


Figure 36

- Inclinez la tondeuse sur le côté (filtre à air vers le haut) pour vidanger l'huile usagée par le goulot de remplissage (Figure 35).

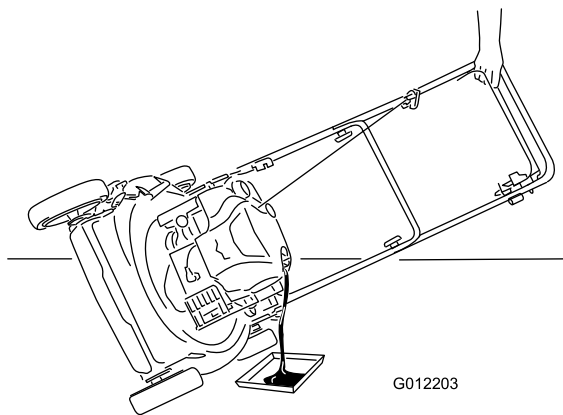


Figure 35

- Versez de l'huile **lentement** dans le goulot de remplissage pour faire monter le niveau de liquide jusqu'au repère **maximum** (Full) sur la jauge (Figure 36). **Ne remplissez pas excessivement.** (Remplissage max. : 0,59 l, type : huile détergente SAE 30 de classe de service API SF, SG, SH, SJ, SL ou supérieure.)

- Revissez la jauge fermement en place.
- Débarrassez-vous correctement de l'huile usagée en la déposant dans un centre de recyclage agréé.

## Lubrification des engrenages des roues

**Périodicité des entretiens:** Une fois par an

- Retirez le boulon au centre de chaque roue **arrière** puis déposez les roues arrière.
- Appliquez une couche d'huile de graissage à l'intérieur et à l'extérieur des engrenages, de la manière indiquée (Figure 37).

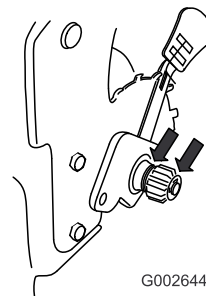


Figure 37

- Montez les roues arrière.

## Réglage du câble de la commande d'autotraction

Lorsque vous installez un nouveau câble de commande d'autotraction ou que l'autotraction est dérégulée, vous devez régler le câble de commande d'autotraction.

1. Desserrez l'écrou du support de guidage du câble (Figure 38).

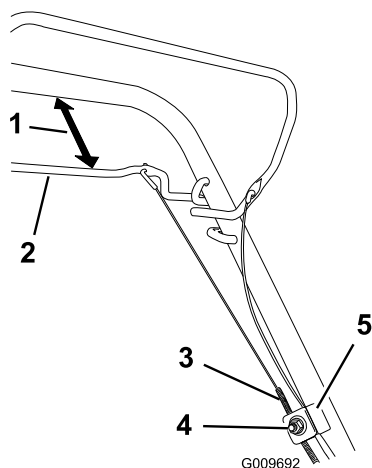


Figure 38

- |                         |                              |
|-------------------------|------------------------------|
| 1. 25 à 38 mm           | 4. Écrou de support de câble |
| 2. Barre d'autotraction | 5. Support de câble          |
| 3. Gaine du câble       |                              |

2. Maintenez la barre de commande d'autotraction à 25 à 38 mm du guidon (Figure 38).
3. Baissez la gaine du câble (vers la tondeuse) pour éliminer le mou du câble (Figure 38).
4. Serrez l'écrou du support de guidage du câble.
5. Relâchez la barre de commande d'autotraction et vérifiez que le câble est lâche.

**Remarque:** Le câble doit être détendu quand la barre de commande d'autotraction est relâchée, sinon la tondeuse risque de se déplacer quand la barre est désengagée.

## Remplacement de la lame

**Périodicité des entretiens:** Une fois par an

**Important:** Vous aurez besoin d'une clé dynamométrique pour monter la lame correctement. Si vous n'en possédez pas ou si vous ne sentez pas être capable d'effectuer cette procédure, adressez-vous à un réparateur agréé.

Examinez l'état de la lame chaque fois que le réservoir d'essence est vide. Si la lame est endommagée ou fêlée, remplacez-la immédiatement. Si la lame est émoussée ou ébréchée, faites-la aiguiser ou remplacez-la.

### ⚠ ATTENTION

La lame est tranchante et vous risquez de vous blesser gravement à son contact.

Portez des gants pour effectuer l'entretien de la lame.

1. Débranchez la bougie (voir Préparation à l'entretien).
2. Basculez la tondeuse sur le côté (filtre à air vers le haut).
3. Immobilisez la lame avec un morceau de bois (Figure 39).

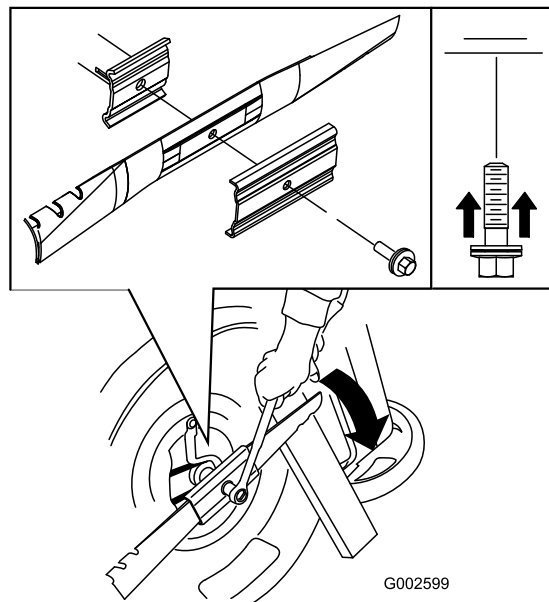


Figure 39

4. Déposez la lame mais ne jetez pas les fixations (Figure 39).
5. Montez la nouvelle lame et toutes les fixations (Figure 39).
6. À l'aide d'une clé dynamométrique, serrez le boulon de la lame à 82 Nm.

**Important:** Les extrémités relevées de la lame doivent être dirigées vers la tondeuse.

**Important:** Un boulon vissé à 82 Nm est très serré. Bloquez la lame avec une cale en bois, appuyez de tout votre poids sur le rochet ou la clé, et serrez le boulon solidement. Il est pratiquement impossible de trop serrer ce boulon.

## Nettoyage de la tondeuse

**Périodicité des entretiens:** À chaque utilisation ou une fois par jour

## ⚠ ATTENTION

De l'herbe peut être projetée de sous la tondeuse.

- Portez des lunettes de protection.
  - Restez à la position de conduite (derrière le guidon).
  - Ne laissez personne pénétrer dans la zone de travail.
1. Mettez le moteur en marche lorsque la tondeuse se trouve sur une surface revêtue plane et dirigez un jet d'eau devant la roue arrière **droite** (Figure 40).

**Remarque:** L'eau éclaboussera en direction de la lame et enlèvera les débris d'herbe agglomérés.

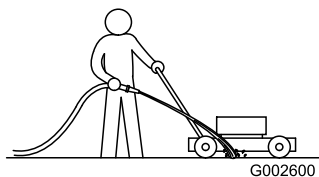


Figure 40

2. Lorsqu'il ne reste plus d'herbe sur la lame, arrêtez l'eau et déplacez la tondeuse à un endroit sec.
3. Laissez tourner le moteur pendant quelques minutes pour sécher le carter et l'empêcher de rouiller.

## Remisage

Remisez la tondeuse dans un local frais, propre et sec.

## Préparation de la tondeuse au remisage

### ⚠ ATTENTION

Les vapeurs d'essence sont explosives.

- Ne conservez pas l'essence plus d'un mois.
  - Ne remisez pas la tondeuse dans un local fermé où se trouve une flamme nue.
  - Laissez refroidir le moteur avant de remiser la machine.
1. Lors du dernier plein de la saison, ajoutez un stabilisateur au carburant selon les instructions du constructeur du moteur.
  2. Laissez tourner le moteur de la tondeuse jusqu'à ce qu'il s'arrête faute de carburant.

3. Amorcez et remettez le moteur en marche.
4. Laissez le moteur tourner jusqu'à ce qu'il s'arrête de nouveau. Le moteur est suffisamment sec lorsqu'il n'y a plus moyen de le faire démarrer.
5. Débranchez la bougie et branchez le fil à la borne de retenue.
6. Enlevez la bougie et versez 30 ml d'huile dans l'ouverture laissée par la bougie. Tirez ensuite la poignée du lanceur **lentement** à plusieurs reprises pour bien répartir l'huile à l'intérieur du cylindre et empêcher celui-ci de rouiller pendant le remisage de la machine.
7. Montez et serrez la bougie à 20 Nm à l'aide d'une clé dynamométrique.
8. Serrez tous les écrous, boulons et vis.

## Pliage du guidon

### ⚠ ATTENTION

Vous risquez d'endommager les câbles et de rendre la machine dangereuse à utiliser si vous pliez ou dépliez mal le guidon.

- Veillez à ne pas endommager les câbles en pliant ou dépliant le guidon.
  - Si un câble est endommagé, adressez-vous à un réparateur agréé.
1. Desserrez les boutons du guidon jusqu'à ce que la moitié supérieure bouge librement (Figure 41).

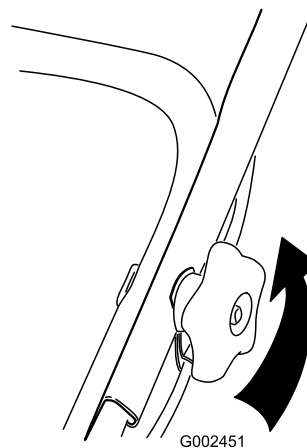
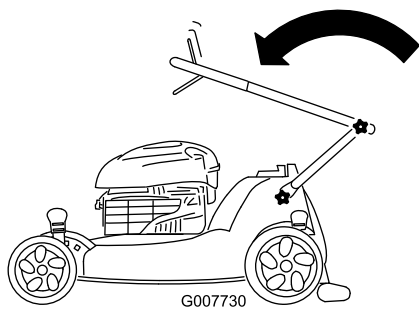


Figure 41

2. Pliez la moitié supérieure du guidon en avant de la manière indiquée (Figure 42).



**Figure 42**

- 
3. Pour déplier le guidon, inversez la procédure décrite plus haut.

## **Remise en service après remisage**

Branchez la bougie.

## Liste des distributeurs internationaux

| Distributeur :                       | Pays :              | Numéro de téléphone : |
|--------------------------------------|---------------------|-----------------------|
| Atlantis Su ve Sulama Sisstemleri Lt | Turquie             | 90 216 344 86 74      |
| Balama Prima Engineering Equip.      | Hong Kong           | 852 2155 2163         |
| B-Ray Corporation                    | Corée               | 82 32 551 2076        |
| Casco Sales Company                  | Puerto Rico         | 787 788 8383          |
| Ceres S.A.                           | Costa Rica          | 506 239 1138          |
| CSSC Turf Equipment (pvt) Ltd.       | Sri Lanka           | 94 11 2746100         |
| Cyril Johnston & Co.                 | Irlande du Nord     | 44 2890 813 121       |
| Equirer                              | Mexique             | 52 55 539 95444       |
| Femco S.A.                           | Guatemala           | 502 442 3277          |
| G.Y.K. Company Ltd.                  | Japon               | 81 726 325 861        |
| Geomechaniki of Athens               | Grèce               | 30 10 935 0054        |
| Guandong Golden Star                 | Chine               | 86 20 876 51338       |
| Hako Ground and Garden               | Suède               | 46 35 10 0000         |
| Hako Ground and Garden               | Norvège             | 47 22 90 7760         |
| Hayter Limited (U.K.)                | Royaume-Uni         | 44 1279 723 444       |
| Hydroturf Int. Co Dubai              | Émirats Arabes Unis | 97 14 347 9479        |
| Hydroturf Egypt LLC                  | Egypte              | 202 519 4308          |
| Ibea S.P.A.                          | Italie              | 39 0331 853611        |
| Irriamc                              | Portugal            | 351 21 238 8260       |
| Irrigation Products Int'l Pvt Ltd.   | Inde                | 86 22 83960789        |
| Jean Heybroek b.v.                   | Pays Bas            | 31 30 639 4611        |
| Lely (U.K. ) Limited                 | Royaume-Uni         | 44 1480 226 800       |
| Maquiver S.A.                        | Colombie            | 57 1 236 4079         |
| Maruyama Mfg. Co. Inc.               | Japon               | 81 3 3252 2285        |
| Metra Kft                            | Hongrie             | 36 1 326 3880         |
| Mountfield a.s.                      | République tchèque  | 420 255 704 220       |
| Munditol S.A.                        | Argentine           | 54 11 4 821 9999      |
| Oslinger Turf Equipment SA           | Équateur            | 593 4 239 6970        |
| Oy Hako Ground and Garden Ab         | Finlande            | 358 987 00733         |
| Parkland Products Ltd.               | Nouvelle-Zélande    | 64 3 34 93760         |
| Prochaska & Cie                      | Autriche            | 43 1 278 5100         |
| RT Cohen 2004 Ltd.                   | Israël              | 972 986 17979         |
| Riversa                              | Espagne             | 34 9 52 83 7500       |
| Roth Motorgerate GmbH & Co.          | Allemagne           | 49 7144 2050          |
| Sc Svend Carlsen A/S                 | Danemark            | 45 66 109 200         |
| Solvvert S.A.S.                      | France              | 33 1 30 81 77 00      |
| Spypros Stavrinides Limited          | Chypre              | 357 22 434131         |
| Surge Systems India Limited          | Inde                | 91 1 292299901        |
| T-Markt Logistics Ltd.               | Hongrie             | 36 26 525 500         |
| Toro Australia                       | Australie           | 61 3 9580 7355        |
| Toro Europe BVBA                     | Belgique            | 32 14 562 960         |



## La garantie Toro

### Conditions et produits couverts

La société The Toro® Company et sa filiale, la société Toro Warranty, en vertu de l'accord passé entre elles, s'engagent conjointement à réparer les produits Toro figurant ci-dessous et présentant un défaut de fabrication ou de matériau.

Durées de la garantie à partir de la date d'achat :

#### Produits

Tondeuses à conducteur marchant  
Tondeuses autoportées à moteur arrière  
Tracteurs de jardin et tondeuses autoportées  
Produits électriques à main  
Déneigeuses  
Machines à rayon de braquage zéro à usage privé

#### Période de garantie

Garantie limitée de 2 ans  
Garantie limitée de 2 ans  
Garantie limitée de 2 ans  
Garantie limitée de 2 ans  
Garantie limitée de 2 ans  
Garantie limitée de 2 ans

\* "Acheteur d'origine" signifie la première personne qui s'est portée acquéreur des produits Toro.

\* "L'usage résidentiel" désigne l'utilisation du produit sur le terrain où se trouve votre résidence. L'utilisation dans plusieurs lieux ou par des institutions ou la location est considérée comme un usage commercial, couvert par la garantie commerciale.

### Garantie limitée pour usage commercial

Les produits de consommation et accessoires Toro utilisés à des fins commerciales, par des institutions ou donnés en location, sont couverts contre tout défaut de matériau ou de fabrication pour les durées suivantes à compter de la date d'achat d'origine :

#### Produits

Tondeuses à conducteur marchant  
Tondeuses autoportées à moteur arrière  
Tracteurs de jardin et tondeuses autoportées  
Produits électriques à main  
Déneigeuses  
Machines à rayon de braquage zéro à usage privé

#### Période de garantie

Garantie de 90 jours  
Garantie de 90 jours  
Garantie de 90 jours  
Garantie de 90 jours  
Garantie de 90 jours  
Garantie de 45 jours

### Comment faire intervenir la garantie ?

Si vous pensez que votre produit Toro présente un défaut de fabrication ou de matériau, procédez comme suit :

1. Demandez à votre revendeur de prendre en charge votre produit. Si pour une raison quelconque il vous est impossible de contacter votre revendeur, vous pouvez vous adresser à n'importe quel concessionnaire Toro agréé pour l'entretien de votre produit.
2. Lorsque vous vous rendez chez le réparateur, apportez le produit et une preuve d'achat (reçu). Si, pour une raison quelconque, vous n'êtes pas satisfait du diagnostic de votre réparateur ou des conseils prodigués, n'hésitez pas à nous contacter à l'adresse suivante :

Customer Care Department, Consumer Division  
The Toro Company  
8111 Lyndale Avenue South  
Bloomington, MN 55420-1196, États-Unis  
Directeur : Service technique : 001-952-887-8248

Consultez la liste des distributeurs jointe.

### Responsabilités du propriétaire

Votre produit Toro doit être entretenu en suivant les procédures d'entretien décrites dans le *Manuel de l'utilisateur*. Cet entretien courant est à vos frais, qu'il soit effectué par vous ou par un concessionnaire.

### Ce que la garantie ne couvre pas

Cette garantie expresse ne couvre pas :

- Les frais normaux d'entretien et de remplacement de pièces telles que pales de rotor (palettes), lames racleuses, courroies, carburant, lubrifiants, changements d'huile, bougies, câble/tringlerie ou réglages des freins.
- Les produits ou pièces ayant subi des modifications ou un usage abusif, et nécessitant un remplacement ou une réparation en raison d'un accident ou d'un défaut d'entretien.
- Les réparations requises en raison de l'utilisation de carburant non frais (vieux de plus d'un mois) ou d'une mauvaise préparation de la tondeuse avant toute période de non-utilisation de plus d'un mois.
- Moteur et transmission. Ces composants sont couverts par les garanties du constructeur pertinentes et par des conditions séparées.

Toutes les réparations couvertes par ces garanties doivent être effectuées par un réparateur Toro agréé, à l'aide de pièces de rechange agréées par Toro.

### Conditions générales

L'acheteur est couvert par la législation nationale de chaque pays. Les droits de l'acheteur, soutenus par la législation, ne sont pas limités par la présente garantie.



# 53 cm Recycler®-gräsklippare

Modellnr 20997—Serienr 310000001 och högre

Bruksanvisning

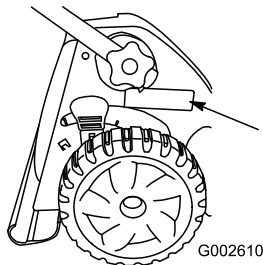
## Introduktion

Denna gräsklippare av gåmodell med roterande knivar är avsedd att användas av privatkunder. Den är huvudsakligen konstruerad för att klippa gräs på väl underhållna gräsmattor runt bostäder. Den är inte konstruerad för att klippa snår eller för jordbruksändamål.

Läs denna information noga så att du lär dig att använda och underhålla produkten på rätt sätt, och för att undvika person- och produktskador. Du är ansvarig för att produkten används på ett korrekt och säkert sätt.

Kontakta gärna Toro direkt på [www.Toro.com](http://www.Toro.com) för att få information om produkter och tillbehör, hjälp med att hitta en återförsäljare eller för att registrera din produkt.

Kontakta en auktoriserad återförsäljare eller Toros kundservice och ha produktens modell- och serienummer till hands om du har behov av service, Toro originaldelar eller ytterligare information. Figur 1 visar var du finner produktens modell- och serienummer.



Figur 1

1. Modell- och serienummerplåt

Anteckna produktens modell- och serienummer här nedanför så är de lätta att hitta:

|                |
|----------------|
| Modellnr _____ |
| Serienr _____  |

I denna bruksanvisning anges potentiella risker och alla säkerhetsmeddelanden har markerats med en varningssymbol (Figur 2), som anger fara, som kan leda till allvarlig personskada eller dödsfall om föreskrifterna inte följs.



Figur 2

1. Varningssymbol

Två ord används också i den här bruksanvisningen för att markera information. **Viktigt** anger speciell teknisk information och **Observera** anger allmän information som är värd att notera.

Denna produkt uppfyller alla relevanta europeiska direktiv. Mer information finns i den separata produktspecifika överensstämmelseförklaringen.

För modeller med angivna motorhästkrafter, beräknades motorns totala hästkrafter i verkstaden av motortillverkaren enligt SAE J1940. Den här motorgräsklipparklassens faktiska motorhästkrafter kommer vara avsevärt lägre då den är konfigurerad att uppfylla säkerhetskrav, utsläppsföreskrifter och funktionella krav.

Gör inga otillåtna ändringar av motorreglagen och ändra inte varvtalshållarens inställning. Om du gör det kan det leda till farliga situationer som resulterar i personskador.

## Säkerhet

**Felaktigt bruk eller underhåll av denna klippare kan leda till skada. Följ nedanstående säkerhetsföreskrifter för att minska risken för skada.**

Toro har utformat och testat denna klippare för skäligt säker service. Om du inte följer nedanstående föreskrifter kan det leda till personskada.

Det är viktigt att du och andra användare läser och förstår innehållet i bruksanvisningen innan klipparen används. Då uppnås högsta säkerhet, bästa prestanda och ni lär känna maskinen. Var särskilt uppmärksam på varningssymbolen Figur 2 som betyder var försiktig, varning eller fara – ”föreskrifter för personlig säkerhet”. Läs och ta till dig anvisningarna eftersom de rör säkerheten. Om anvisningarna inte följs kan det leda till personskador.

# Allmän säkerhet

Följande anvisningar har utarbetats i enlighet med EN 836.

Klippmaskinen kan slita av händer och fötter och slunga omkring föremål. Följ alltid alla säkerhetsanvisningar för att förhindra allvarliga skador eller dödsfall.

## Utbildning

- Läs anvisningarna noga. Bekanta dig med reglagen och hur maskinen ska användas.
- Låt aldrig barn eller personer som inte känner till anvisningarna köra klipparen. Lokala föreskrifter kan begränsa förarens ålder.
- Kom ihåg att föraren är ansvarig för olyckor och risker som andra människor och deras ägodelar utsätts för.
- Se till att du förstår alla bilder som finns på klipparen eller som används i anvisningarna.

## Bensin

**VARNING** – bensin är mycket brandfarligt. Vidta följande säkerhetsåtgärder:

- Förvara bränsle i dunkar avsedda för ändamålet.
- Fyll endast på maskinen med bensin utomhus och rök inte under påfyllning.
- Fyll på bränsle innan du startar motorn. Ta aldrig av bränsletankens lock och fyll inte på bränsle medan motorn är igång eller när motorn är varm.
- Om du spiller bensin ska du inte försöka starta motorn utan flytta klipparen från spillet och undvika att skapa några gnistor tills bensinångorna har skingrats.
- Sätt tillbaka locken på tankar och dunkar ordentligt.

## Förberedelser

- Använd alltid ordentliga skor och långbyxor vid klippning. Kör inte maskinen barfota eller i sandaler.
- Undersök noga det område där maskinen ska köras, och avlägsna alla stenar, pinnar, ledningar, ben och andra föremål.
- Inspektera alltid klipparen innan användning för att kontrollera att skydd och säkerhetsanordningar, som t.ex. gräsriktare och/eller -uppsamlare, sitter på plats och fungerar som de ska.
- Före körning bör du kontrollera så att inga knivar, knivbultar eller klippaggregat är slitna eller skadade. Byt ut slitna eller skadade knivar och bultar i satser så att balanseringen bibehålls.

## Start

- Tippa inte klipparen när du startar motorn såvida den inte måste lutas för att starta. Om så är fallet ska du inte luta klipparen mer än absolut nödvändigt, och bara lyfta upp den del som är längst ifrån dig.
- Starta motorn försiktigt i enlighet med anvisningarna och håll fötterna på behörigt avstånd från kniven eller knivarna och inte framför utkastaren.

## Körning

- Klipp aldrig om människor, särskilt barn, eller husdjur befinner sig i närheten.
- Klipp endast i dagsljus eller i bra belysning.
- Se upp för hål i terrängen och andra dolda faror.
- Håll inte händer eller fötter nära eller under roterande delar. Håll alltid avstånd till utkastaröppningen.
- Lyft aldrig upp eller bär en gräsklippare medan motorn är igång.
- Var mycket försiktig när du backar eller drar en handgräsklippare mot dig.
- Gå – spring aldrig.
- Sluttningar:
  - Klipp inte på väldigt branta sluttningar.
  - Var mycket försiktig i sluttningar.
  - Kör alltid tvärgående över sluttningar, aldrig upp och ned, och var mycket försiktig när du svänger i sluttningar.
  - Se till att du har bra fotfäste i sluttningar.
- Sänk farten i sluttningar och i skarpa svängar för att förhindra att klipparen välter eller att du förlorar kontrollen över den.
- Stanna kniven om gräsklipparen måste tippas för transport på andra underlag än gräs och när gräsklipparen ska föras till och från klippområdet.
- Kör inte motorn i ett slutet utrymme där farlig koloxid kan ansamlas.
- Stäng av motorn
  - varje gång du lämnar gräsklipparen.
  - före bränslepåfyllning.
  - innan gräsuppsamlaren tas bort.
  - innan klipphöjden justeras om den inte kan ställas in från förarplatsen.
- Stanna motorn och koppla bort tändkabeln
  - innan utkastaren rensas.
  - före kontroll, rengöring och arbete på gräsklipparen.
  - efter att ha kört på ett okänt föremål. Kontrollera noga om gräsklipparen har skadats och reparera

eventuella skador innan du startar och kör klipparen igen.

- om gräsklipparen börjar vibrera onormalt (kontrollera omedelbart).
- Blixtnedslag kan leda till allvarliga personskador eller dödsfall. Om det blixtrar eller åskar i området ska maskinen inte användas. Sök skydd.
- Se upp för trafik när du kör nära vägar eller korsar vägar.

## Underhåll och förvaring

- Håll samtliga muttrar, bultar och skruvar åtdragna så att maskinen är i säkert bruksskick.
- Högtryckstvätta inte maskinen.
- Förvara aldrig maskinen med bensin i tanken i en byggnad där bensinångor kan antändas av en öppen låga eller gnista.
- Låt motorn svalna innan maskinen ställs undan i ett slutet utrymme.
- Håll motorn, ljuddämparen, batterifacket och förvaringsutrymmet fria från gräs, löv och överflödigt smörjmedel för att minska brandrisken.
- Undersök gräsutkastarens komponenter ofta och byt ut dem vid behov mot delar rekommenderade av tillverkaren.
- Byt ut slitna och skadade delar av säkerhetsskäl.
- Byt ut trasiga ljuddämpare.
- Om bränsletanken måste tömmas ska detta göras utomhus.
- Ändra inte inställningarna för motorns varvtalshållare och övervarva inte motorn. Om motorn körs med för högt varvtal kan riskerna för personskador öka.
- Var försiktig när en kniv roteras på maskiner med flera knivar, eftersom de andra knivarna kan rotera med.
- Var försiktig när justeringar utförs på gräsklipparen för att undvika att fingrarna fastnar mellan roterande knivar och maskinens fasta delar.
- **Köp endast Toro-originalreservdelar och tillbehör, för att säkerställa bästa prestanda och högsta säkerhet. Använd inte ”piratdelar”. De kan medföra säkerhetsrisker.**

## Ljudtryck

Enheten har en ljudtrycksnivå vid förarens öra på 89 dBA, som omfattar ett osäkerhetsvärde (K) på 1 dBA.

Ljudtrycksnivån har fastställts enligt de rutiner som beskrivs i EN 836.

## Ljudstyrka

Maskinen har en garanterad ljudstyrka på 98 dBA, som omfattar ett osäkerhetsvärde (K) på 1 dBA. Ljudstyrkenivån har fastställts enligt de rutiner som beskrivs i ISO 11094.

## Hand-/armvibration

Uppmätt vibrationsnivå för vänster hand = 4,7 m/s<sup>2</sup>

Uppmätt vibrationsnivå för höger hand = 4,6 m/s<sup>2</sup>

Osäkerhetsvärde (K) = 2,4 m/s<sup>2</sup>.

Uppmätta värden har fastställts enligt de förfaranden som beskrivs i EN 836.

# Säkerhets- och instruktionsdekaler

**Viktigt:** Säkerhets- och instruktionsdekaler sitter nära potentiella farozoner. Byt ut skadade dekaler.



107-1946

1. Uprätt handtag
2. Hopfällt handtag
3. Släpp upp fotomkopplaren för att fälla ihop handtaget



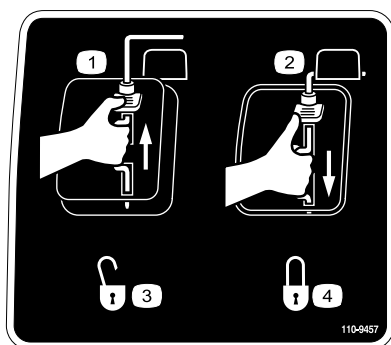
108-7450

1. Klipphöjd



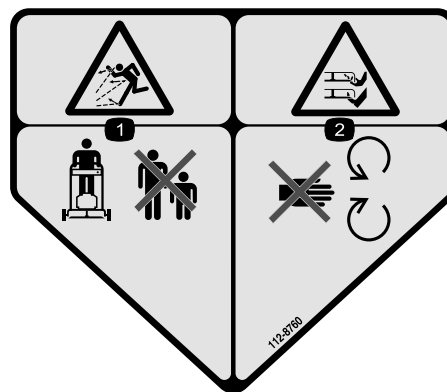
108-7451

1. Klipphöjd



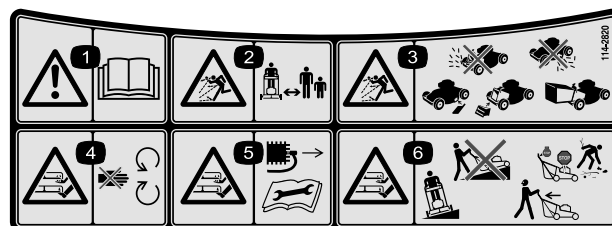
110-9457

1. Motorn avstängd
2. Motorn påslagen
3. Olåst
4. Låst



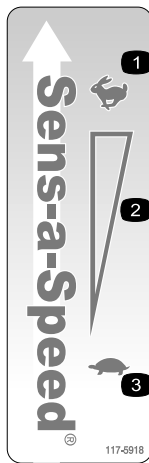
112-8760

1. Risk för utslungade föremål – håll kringstående personer på behörigt avstånd från maskinen.
2. Avkapnings-/avslitningsrisk för händer och fötter – håll dig på avstånd från rörliga delar.



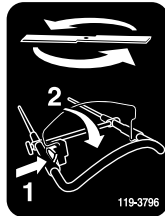
114-2820

1. Varning – läs bruksanvisningen.
2. Risk för utslungade föremål – håll kringstående personer på behörigt avstånd från maskinen.
3. Risk för utslungade föremål – använd inte gräsklipparen om inte den bakre utkastarpluggen eller uppsamlaren är på plats, och kör inte heller gräsklipparen om inte sidoutkastarskyddet eller gräsriktaren sitter på plats.
4. Avkapnings-/avslitningsrisk för händer och fötter, gräsklipparkniv – håll dig på avstånd från rörliga delar.
5. Avkapnings-/avslitningsrisk för händer och fötter, gräsklipparkniv – ta ut tändningsnyckeln och läs anvisningarna innan du utför service eller underhåll på gräsklipparen.
6. Avkapnings-/avslitningsrisk för händer och fötter, gräsklipparkniv – kör inte maskinen uppför och nedför sluttningar utan från sida till sida. Stäng av motorn innan du lämnar körpositionen och titta bakom dig när du backar.



117-5918

1. Snabbt
2. Steglös reglerbar inställning
3. Långsamt

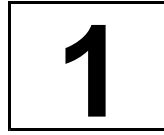


119-3796

1. Aktivera kniven genom att lossa säkerhetsbrytaren.
2. Dra knivreglaget mot handtaget.

# Instalação

**Viktigt:** Ta bort och släng skyddsplasten som täcker motorn.

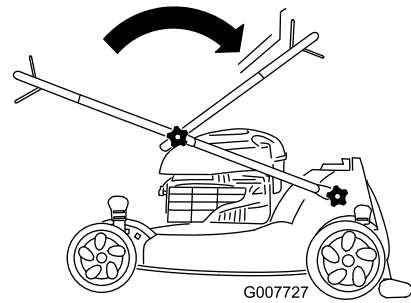


## Fälla upp handtaget

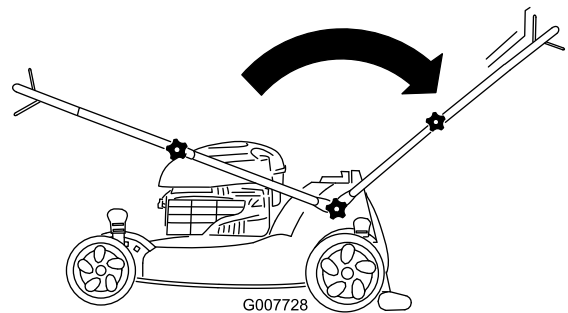
Inga delar krävs

### Tillvägagångssätt

1. Fäll upp handtaget såsom visas i Figur 3 och Figur 4.



Figur 3



Figur 4

2. Dra åt alla vred på handtaget.

# 2

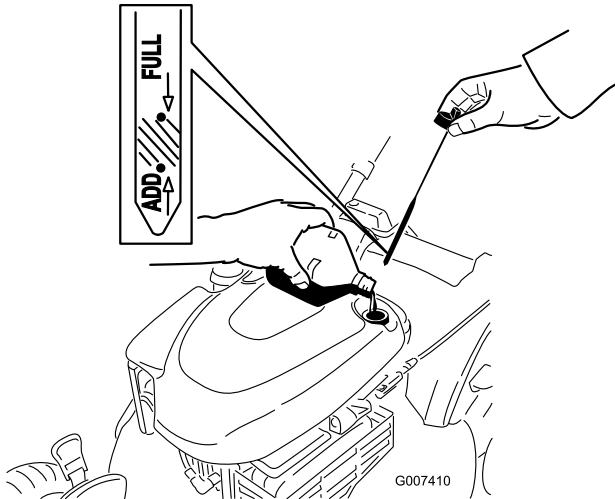
## Fylla på olja i motorn

Inga delar krävs

### Tillvägagångssätt

**Viktigt:** Klipparen levereras utan olja i motorn.

1. Ta bort oljestickan (Figur 5).



Figur 5

2. Fyll **långsamt** på olja i påfyllningsröret tills nivån når markeringen **Full** på oljestickan (Figur 5). **Fyll inte på för mycket.** (Maximal påfyllning: 0,59 l, typ: renande SAE 30-olja med API-klassificering SF, SG, SH, SJ, SL eller högre.)

**Obs:** Om du fyller på för mycket olja i motorn får du tappa av lite såsom anges i Byta ut motoroljan.

3. Sätt i oljestickan ordentligt.

**Viktigt:** *Byt motorolja efter de första fem arbetstimarna och därefter årligen. Se Byta ut motoroljan.*

# 3

## Montera mullningspluggen eller gräsuppsamlaren

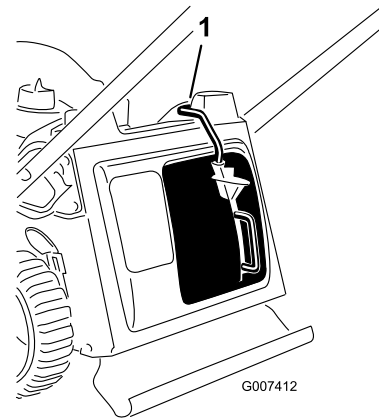
Inga delar krävs

### Tillvägagångssätt

Du måste montera mullningspluggen (för mullning eller sidoutkast) eller gräsuppsamlaren (för uppsamling) korrekt – annars **startar inte motorn**.

Klipparen är utrustad med en säkerhetsbrytare längst ner i en kanal längst upp till höger på klipparens baksida. Brytaren gör att klipparen inte kan startas utan en mullningsplugg eller gräsuppsamlare. På så vis förhindras att klipparen slungar ut skräp på operatören genom den bakre utkastaren.

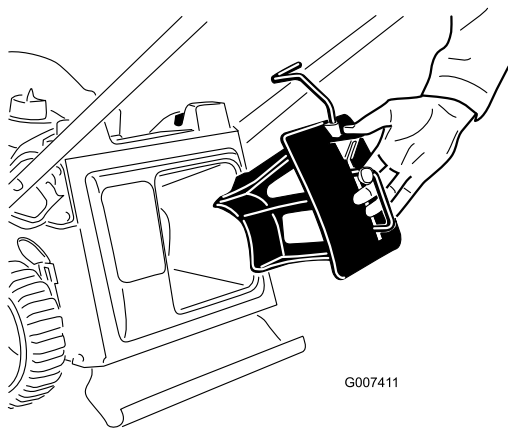
För att brytaren ska kunna upptäcka att det finns en mullningsplugg måste överdelen på mullningspluggsspaken **ligga helt mot botten av kanalen** (Figur 6).



Figur 6

1. Överdelen på mullningspluggsspaken i brytarkanalen

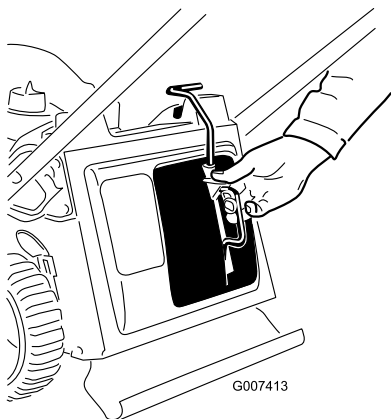
1. Sätt i mullningspluggen i klipparen om den inte redan är monterad (Figur 7).



G007411

Figur 7

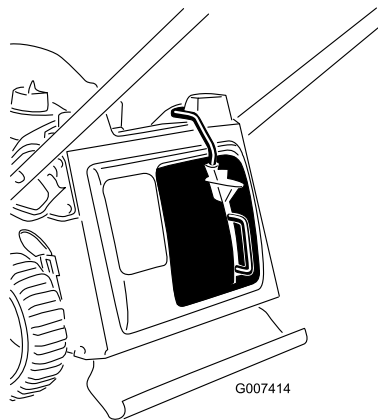
2. Tryck in knappen på spaken med tummen och för in mullningspluggen hela vägen i öppningen (Figur 8).



G007413

Figur 8

3. Släpp upp knappen på spaken och se till att överdelen på spaken ligger helt inne i brytarkanalen (Figur 9). **Om överdelen på spaken inte ligger i brytarkanalen kommer klipparen inte att starta!**

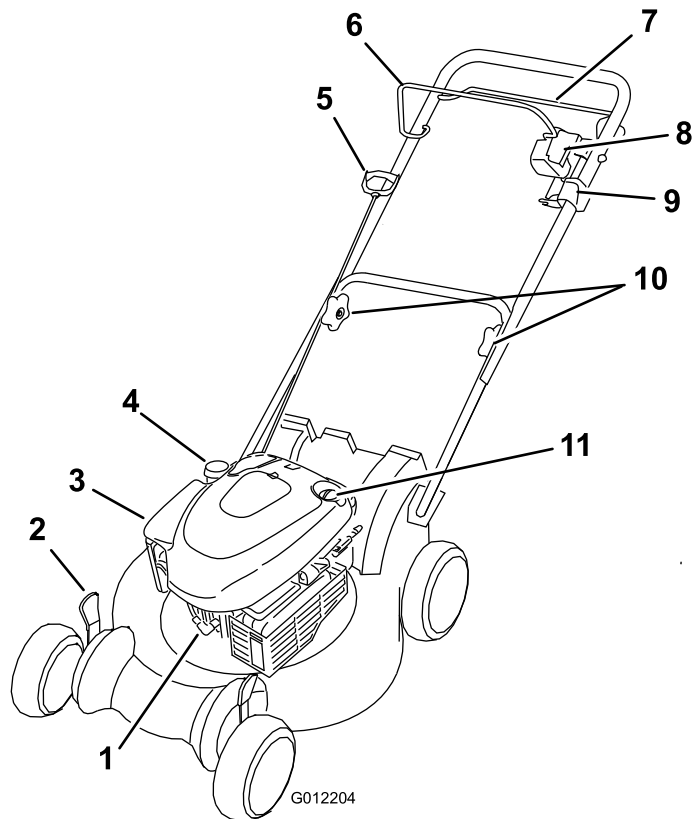


G007414

Figur 9

finns skräpansamlingar i tunneln. Ta i så fall bort skräpet.

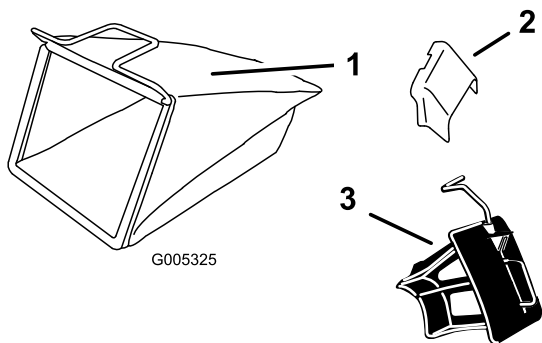
## Produktöversikt



Figur 10

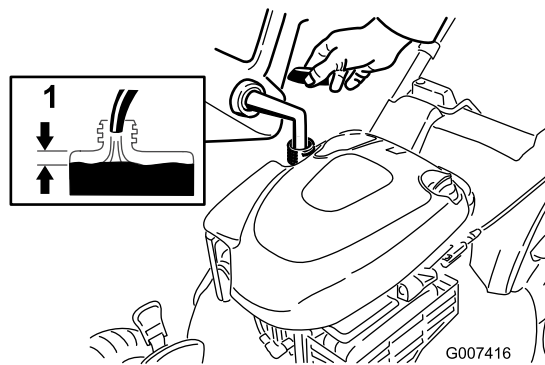
- |                       |                           |
|-----------------------|---------------------------|
| 1. Tändstift          | 7. Självdrivningsstång    |
| 2. Klipphöjdsspak (4) | 8. Knivreglageknapp       |
| 3. Luftfilter         | 9. Tändningslås           |
| 4. Tanklock           | 10. Handtagsvred          |
| 5. Startsnöre         | 11. Påfyllning/oljesticka |
| 6. Knivstyrstång      |                           |

**Obs:** Om spaken inte hakar i ordentligt ska du koppla bort vajern från tändstiftet och se om det



Figur 11

1. Gräsuppsamlare
2. Sidoutkastare
3. Mullningsplugg (monterad)



Figur 12

1. 1 cm

## Specifikationer

| Modell | Vikt  | Längd  | Bredd | Höjd   |
|--------|-------|--------|-------|--------|
| 20997  | 37 kg | 157 cm | 56 cm | 112 cm |

## Körning

### Fylla på bränsletanken

#### ⚠ FARA

Bensin är mycket brandfarligt och explosivt. En sådan brand eller explosion kan ge dig och andra personer brännskador.

- För att förhindra att statisk elektricitet antänder bensinen ska bensindunken och/eller klipparen placeras på marken före påfyllning, inte i ett fordon eller ovanpå ett föremål.
- Fyll tanken utomhus, då motorn är kall. Torka upp utspillt bränsle.
- Hantera inte bensin när du röker eller är i närheten av en öppen låga eller gnistor.
- Förvara bensin i en godkänd bränsledunk som förvaras oåtkomligt för barn.

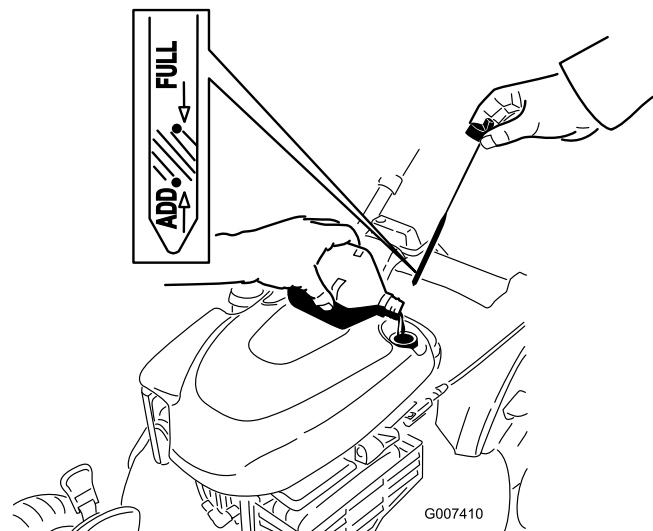
Fyll bränsletanken med färsk, blyfri regularbensin från en bensinmack som ingår i en av de större kedjorna (Figur 12).

**Viktigt:** Tillsätt en stabiliserare till bränslet vid alla tidpunkter på året, för att få mindre startproblem. Blanda stabiliseraren med bensin som är max. 30 dagar gammal.

## Kontrollera oljenivån i motorn

**Serviceintervall:** Varje användning eller dagligen

1. Ta ut oljestickan, torka av den och sätt sedan tillbaka den ordentligt (Figur 13).



Figur 13

2. Ta ut oljestickan och kontrollera oljenivån (Figur 13). Om oljenivån är under markeringen **Add** på oljestickan fyller du långsamt på olja i påfyllningsröret så att nivån höjs till markeringen **Full** på oljestickan. **Fyll inte på för mycket.** (Maximal påfyllning: 0,59 l, typ: renande SAE 30-olja med API-klassificering SF, SG, SH, SJ, SL eller högre.)
3. Sätt i oljestickan ordentligt.

# Justera klipphöjden

## ⚠ VARNING

Vid justering av klipphöjden kan du komma i kontakt med en roterande kniv, vilket kan leda till allvarliga skador.

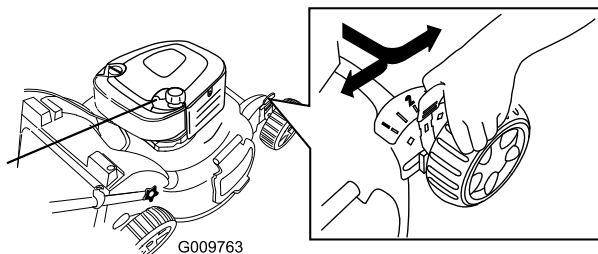
- Stäng av motorn och vänta tills alla rörliga delar har stannat.
- Stick inte in fingrarna under kåpan vid justering av klipphöjden.

## ⚠ VAR FÖRSIKTIG

Om motorn har varit igång kan ljuddämparen vara het och orsaka brännskador. Håll avstånd till den heta ljuddämparen.

Justera klipphöjden. Ställ in alla fyra hjulen på samma höjd.

**Obs:** Flytta alla fyra klipphöjdsreglagen framåt för att lyfta gräsklipparen. Flytta dem bakåt för att sänka gräsklipparen (Figur 14).



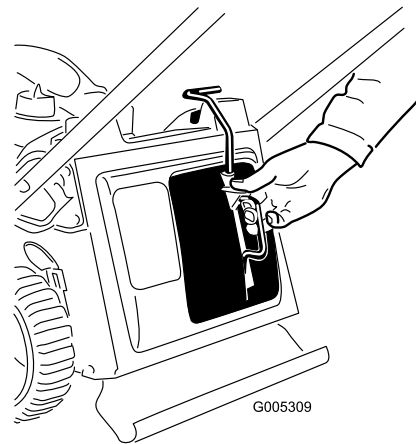
Figur 14

**Obs:** Klipphöjdsinställningarna är 25 mm, 38 mm, 51 mm, 64 mm, 76 mm, 89 mm, 102 mm samt 114 mm.

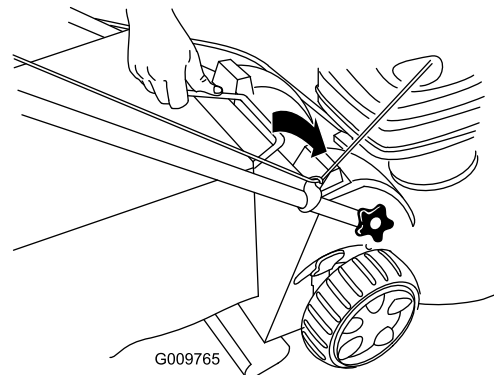
## Starta motorn

**Viktigt:** Klipparen har en säkerhetsbrytare som gör att klipparen endast kan startas om mullningspluggen eller gräsuppsamlaren först har monterats ordentligt på klipparen.

1. Montera mullningspluggen (Figur 15) eller gräsuppsamlaren (Figur 16) på klipparen.

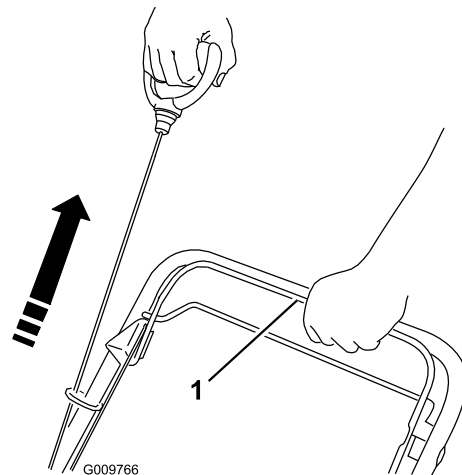


Figur 15



Figur 16

2. Om tändningslåset på gräsklipparen (Figur 10) utgörs av en vippbrytare (med både ”I” och ”Stop”) för du brytaren till ”I”-läget. Annars går du till steg 3.
3. Dra lätt i startsnöret tills du känner motstånd och dra sedan kraftigt (Figur 17).



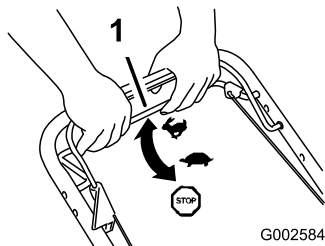
Figur 17

1. Knivstyrstång

**Obs:** Kontakta en auktoriserad återförsäljare om klipparen fortfarande inte startar.

## Använda självdrivningen

För att använda självdrivningen trycker du in självdrivningsstängan (Figur 18) mot handtaget och håller kvar den där.



Figur 18

1. Självdrivningsstång

Släpp självdrivningsstängan för att koppla ur självdrivningen.

**Obs:** Den maximala självdrivningshastigheten är fast. Om du vill sänka hastigheten ökar du mellanrummet mellan självdrivningsstängan och handtaget.

## Stänga av motorn

**Serviceintervall:** Varje användning eller dagligen—Kontrollera att motorn stannar inom tre sekunder efter det att knivstyrstängan släpps.

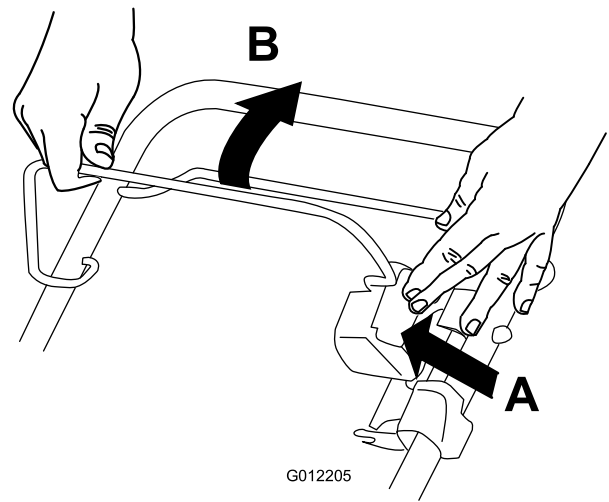
Om tändningslåset på gräsklipparen (Figur 10) utgörs av en vippbrytare (med både ”I” och ”Stop”) för du brytaren till stoppläget. Annars håller du tändningslåset i stoppläget tills motorn stannar.

**Viktigt:** När du släpper knivstyrstängan ska både motorn och kniven stanna inom tre sekunder. Om de inte stannar ordentligt slutar du genast använda klipparen och kontaktar en auktoriserad återförsäljare.

## Koppla in kniven

**Obs:** När du startar motorn vrids inte kniven runt. För att kunna klippa måste du koppla in kniven.

Håll in knivreglageknappen och dra knivstyrstängan mot handtaget (Figur 19).



Figur 19

## Koppla bort kniven

Släpp knivstyrstängan.

**Viktigt:** När du släpper knivstyrstängan ska kniven stanna inom tre sekunder. Om den inte stannar ordentligt slutar du genast använda klipparen och kontaktar en auktoriserad återförsäljare.

## Kontrollera knivbromskopplingens funktion

Kontrollera styrstängan före varje användningstillfälle för att säkerställa att knivbromskopplingen fungerar korrekt.

## Använda gräsuppsamlaren

**Serviceintervall:** Varje användning eller dagligen

Du kan använda gräsuppsamlaren för att utföra ytterligare ett test för att kontrollera knivbromskopplingen.

1. Montera den tomma gräsuppsamlaren på gräsklipparen.
2. Starta motorn.
3. Koppla in kniven.

**Obs:** Uppsamlaren ska börja blåsas upp, vilket indikerar att kniven är inkopplad och roterar.

4. Släpp upp knivstyrstängan.

**Obs:** Om uppsamlaren inte sjunker ihop direkt roterar kniven fortfarande. Knivbromskopplingen kan vara i ett försämrat skick. Om tillståndet ignoreras kan detta leda till farliga användningsförhållanden. Låt en auktoriserad

återförsäljare inspektera och utföra service på gräsklipparen.

5. Stanna motorn och vänta tills alla rörliga delar har stannat.

## Välja att inte använda gräsuppsamlaren

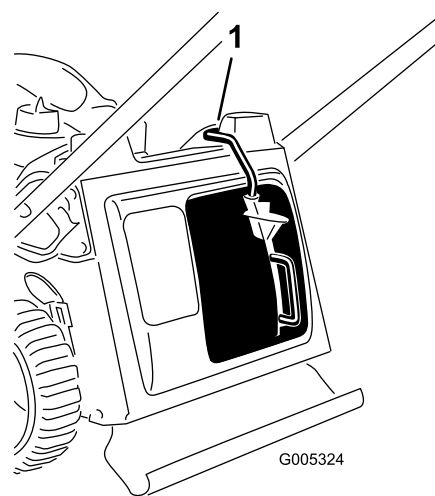
1. Flytta gräsklipparen till en stenbelagd yta i ett vindstilla område.
2. Ställ in samtliga fyra hjul på klippinställningen 83 mm.
3. Ta en halv sida tidningspapper och knyckla ihop den till en boll som är liten nog att få plats under klipparhuset (ca 76 mm i diameter).
4. Placera tidningspappersbollen ca 13 cm framför gräsklipparen.
5. Starta motorn.
6. Koppla in kniven.
7. Släpp upp knivstyrstången.
8. Tryck direkt gräsklipparen över tidningspappersbollen.
9. Stanna motorn och vänta tills alla rörliga delar har stannat.
10. Gå till gräsklipparens framsida och kontrollera pappersbollen.  
**Obs:** Upprepa steg till om pappersbollen inte gick under gräsklipparen.
11. Om tidningspappret är sönderrivet eller strimlat stannade kniven inte som den skulle. Detta kan leda till farliga arbetsförhållanden. Kontakta en auktoriserad återförsäljare.

## Mulla klippet

Klipparen levereras färdig för att kunna mulla gräs och lövklipp tillbaka ner i gräsmattan.

Om gräsuppsamlaren är monterad på gräsklipparen ska du ta bort den (se Ta bort gräsuppsamlaren) innan du mullar klippet. Om sidoutkastaren är monterad på gräsklipparen ska du ta bort den och låsa sidoutkastarluckan (se Ta bort sidoutkastarriktaren) innan klippet mullas.

**Viktigt:** Klipparen har en säkerhetsbrytare som gör att klipparen endast kan startas om mullningspluggen först har monterats ordentligt på klipparen (Figur 20).



Figur 20

1. Överdelen på mullningspluggsspaken i brytarkanalen

## Samla upp klippet

Använd gräsuppsamlaren när du vill samla upp gräs- och lövklipp från gräsmattan.

Ta bort sidoutkastarriktaren om den är monterad på gräsklipparen och lås sidoutkastarens lucka (se Ta bort sidoutkastarriktaren) innan du återvinner klippet.

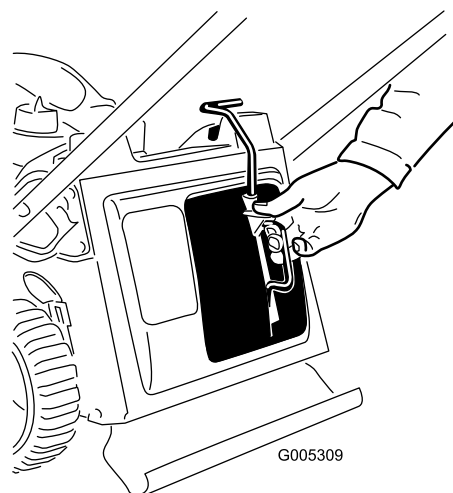
### ⚠ VARNING

**Kniven är skarp – kontakt med kniven kan orsaka allvarliga personskador.**

**Stanna motorn och vänta tills alla rörliga delar har stannat innan du lämnar förarplatsen.**

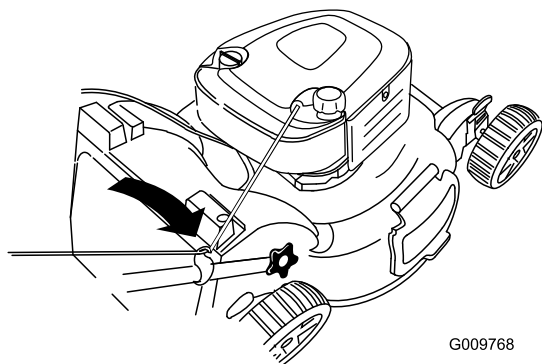
## Montera gräsuppsamlaren

1. Ta bort mullningspluggen (Figur 21).



Figur 21

2. För in startsnöret längs den nedre styrningen (Figur 22).

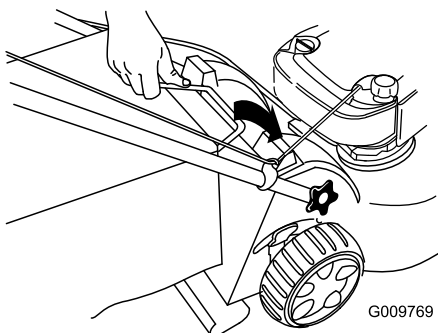


Figur 22

**Obs:** Startsnöret åker ur den nedre styrningen när du drar i handtaget.

3. Sätt i gräsuppsamlarens handtag i skårorna längst upp på klipparen (Figur 23).

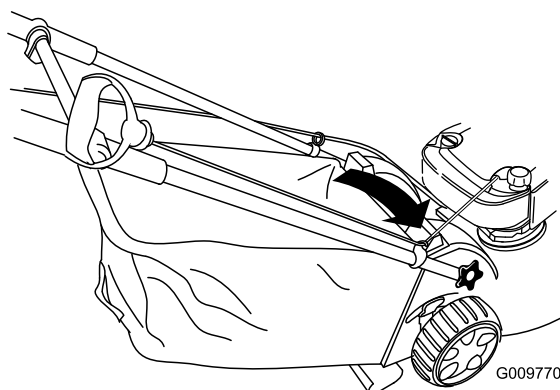
**Viktigt:** Klipparen har en säkerhetsbrytare som gör att klipparen endast kan startas om gräsuppsamlaren först har monterats ordentligt på klipparen.



Figur 23

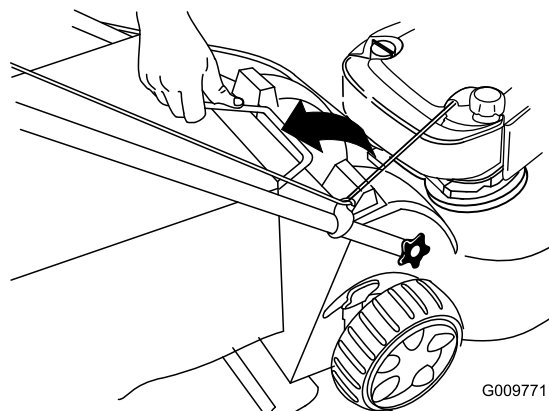
## Ta bort gräsuppsamlaren

1. För in startsnöret längs den nedre styrningen (Figur 24).



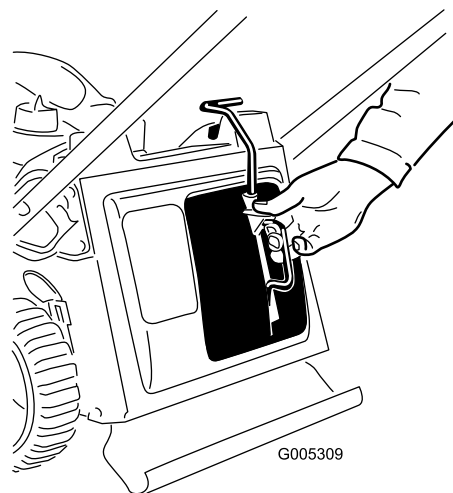
Figur 24

2. Lyft ut gräsuppsamlarens handtag ur skårorna längst upp på klipparen, och ta bort uppsamlaren från klipparen (Figur 25).



Figur 25

3. Sätt i mullningspluggen (Figur 26).



Figur 26

# Använda sidoutkastaren för klippet

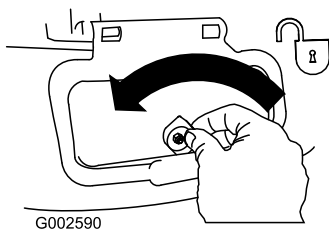
Använd sidoutkastaren för att klippa mycket högt gräs.

Om uppsamlaren är monterad på gräsklipparen tar du bort den och sätter i mullningspluggen (se Ta bort gräsuppsamlaren) innan du använder sidoutkastaren för klippet.

**Viktigt:** Klipparen har en säkerhetsbrytare som gör att klipparen endast kan startas om mullningspluggen först har monterats ordentligt på klipparen (se Mulla klippet).

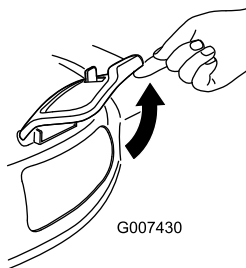
## Montera sidoutkastarriktaren

1. Lossa sidoutkastarluckan (Figur 27).



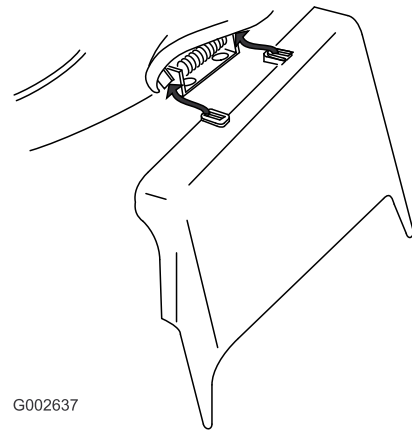
Figur 27

2. Lyft upp sidoutkastarluckan (Figur 28).



Figur 28

3. Montera sidoutkastarriktaren och stäng luckan till riktaren (Figur 29).

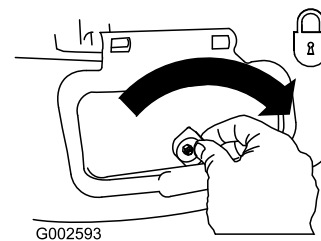


Figur 29

## Ta bort sidoutkastarriktaren

Utför stegen ovan i omvänd ordning för att ta bort sidoutkastarriktaren.

**Viktigt:** Lås fast sidoutkastarluckan när du stängt den (Figur 30).



Figur 30

## Arbetstips

### Allmänna klipptips

- Røj området som ska klippas från pinnar, stenar, ledningar, grenar och annat skräp som kniven kan gå emot.
- Undvik att låta kniven gå emot massiva objekt. Kör aldrig över ett föremål avsiktligt.
- Stanna motorn om du kör på något föremål eller om klipparen börjar vibrera. Ta bort tändkabeln från tändstiftet och se noga efter om klipparen har skadats.
- Montera en ny kniv när klippsäsongen börjar för att garanterat få bästa resultat.
- Byt ut kniven vid behov mot en Toro-originalkniv.

### Klippa gräs

- Klipp endast cirka en tredjedel av grässtrået åt gången. Klipp inte med en inställning som är lägre

än 51 mm, såvida inte gräset är glest eller det är sent på hösten då gräset växer långsammare. Se Justera klipphöjden.

- Om du klipper gräs som mer än 15 cm högt kan det vara bra att först klippa med den högsta klipphöjdsinställningen och gå sakta, och sedan klippa en gång till med en lägre klipphöjd för att få bästa klippresultat. Om gräset är för högt kan klipparen täppas igen och det kan leda till motorstopp.
- Klipp bara torrt gräs och torra löv. Vått gräs och våta löv har en tendens att klumpas ihop på marken, vilket kan leda till motorstopp eller att klipparen täpps igen.

### **⚠ VARNING**

**Vått gräs och våta löv kan orsaka allvarliga skador om du halkar och rör vid kniven. Klipp endast vid torra förhållanden.**

- Byta klippriktning. Det underlättar fördelningen av det klippta gräset vilket ger en jämn gödning.
- Försök med en eller flera av åtgärderna nedan om du inte är nöjd med klippresultatet:

- Byt ut kniven eller låt slipa den.
- Gå saktare när du klipper.
- Höj gräsklipparens klipphöjdsinställning.
- Klipp gräset oftare.
- Överlappa klippsvarningarna istället för att klippa en hel svepning varje gång.
- Ställ in klipphöjden på ett lägre spår för framhjulen än för bakhjulen. Sätt t.ex. framhjulen på 51 mm och bakhjulen på 64 mm.

## **Klippa löv**

- Efter avslutad klippning bör halva gräsmattan synas genom täcket av sönderskurna löv. Det kan vara nödvändigt att gå över löven mer än en gång.
- Om lövtäcket på gräsmattan är högre än 12 cm ställer du in den främre klipphöjden ett eller två spår högre än den bakre klipphöjden.
- Sakta ned klippastigheten om gräsklipparen inte skär löven tillräckligt fint.

# **Underhåll**

**Obs:** Vänster och höger sida på maskinen är lika med förarens vänstra respektive högra sida vid normal körning.

## **Rekommenderat underhåll**

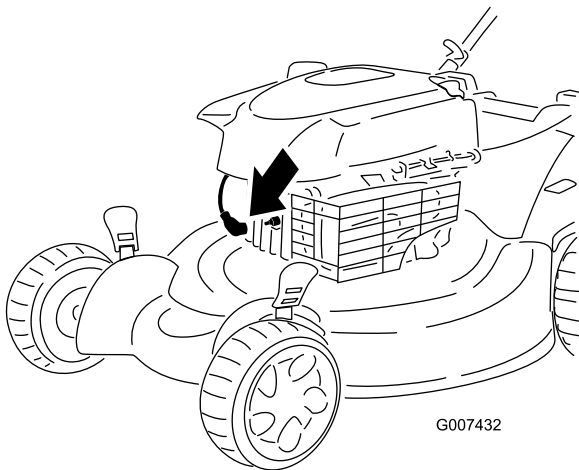
| Underhållsintervall             | Underhållsförfarande  |
|---------------------------------|---|
| Efter de första 5 timmarna      | <ul style="list-style-type: none"><li>• Byta oljan i motorn.</li></ul>  |
| Varje användning eller dagligen | <ul style="list-style-type: none"><li>• Kontrollera oljenivån i motorn.</li><li>• Kontrollera att motorn stannar inom tre sekunder efter det att knivstyrstången släpps.</li><li>• Kontrollera knivbromskopplingens funktion.</li><li>• Rensa bort gräsklipp och smuts från gräsklipparens undersida.</li></ul> |
| Var 25:e timme                  | <ul style="list-style-type: none"><li>• Byt ut luftfiltret. Byt ut det oftare vid dammiga arbetsförhållanden.</li></ul>   |
| Före förvaring                  | <ul style="list-style-type: none"><li>• Töm bränsletanken innan reparation och årlig förvaring.</li></ul>   |
| Årligen                         | <ul style="list-style-type: none"><li>• Byta oljan i motorn.</li><li>• Smörja kugghjulen.</li><li>• Byt ut kniven eller låt slipa den (oftare om kniven snabbt blir slö).</li><li>• Läs i Bruksanvisningen till motorn för ytterligare information om årliga underhållsförfaranden.</li></ul>                   |

**Viktigt:** Läs i *Bruksanvisningen till motorn* för ytterligare information om underhållsförfaranden.

## **Underhållsförberedelser**

1. Stäng av motorn och vänta tills alla rörliga delar har stannat.

2. Lossa tändkabeln från tändstiftet (Figur 31) innan du utför underhåll.



Figur 31

3. Anslut tändkabeln till tändstiftet efter att du utfört underhåll.

**Viktigt:** Kör motorn som vanligt tills bränsletanken är tom innan du tippa klipparen för att byta olja eller kniv. Använd en handpump för att avlägsna bränslet om du måste tippa klipparen innan bränslet har tagit slut. Lägga alltid klipparen på sidan med luftfiltret uppåt.

### ⚠ VARNING

Bränslet kan läcka ut när man tippa gräsklipparen. Bensin är brandfarligt, explosivt och kan orsaka personskador.

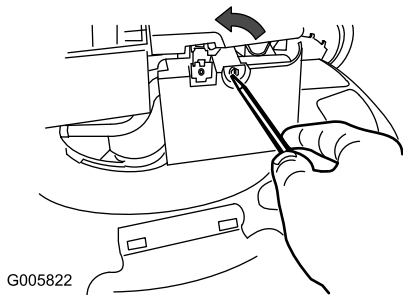
Kör motorn tills tanken är tom eller töm tanken på bensin med en handpump; sug aldrig ut med en hävert.

## Byta luftfiltret

**Serviceintervall:** Var 25:e timme

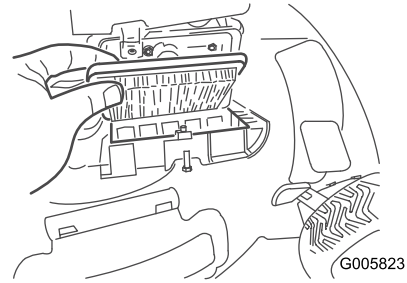
Byt ut luftfiltret årligen (oftare vid dammiga eller smutsiga arbetsförhållanden). Se Underhållsförberedelser.

1. Använd en skruvmejsel för att öppna luftfilterskyddet (Figur 32).



Figur 32

2. Byt ut luftfiltret (Figur 33).



Figur 33

3. Sätt tillbaka skyddet.

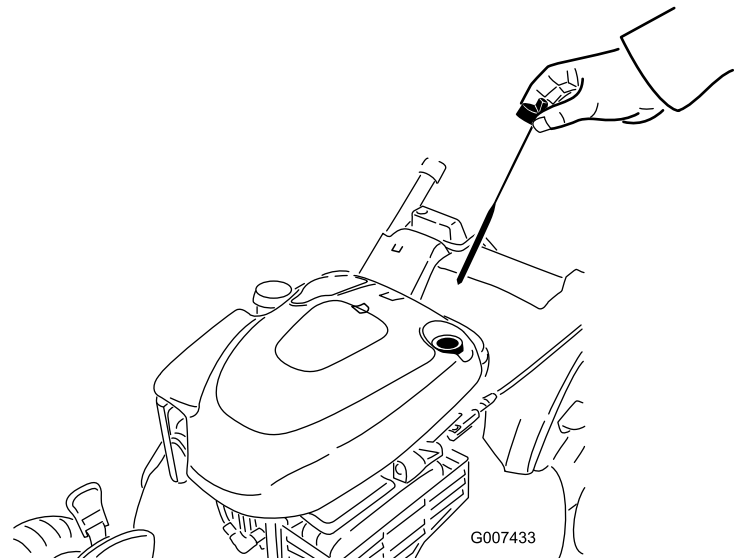
## Byta ut motoroljan

**Serviceintervall:** Efter de första 5 timmarna

Årligen

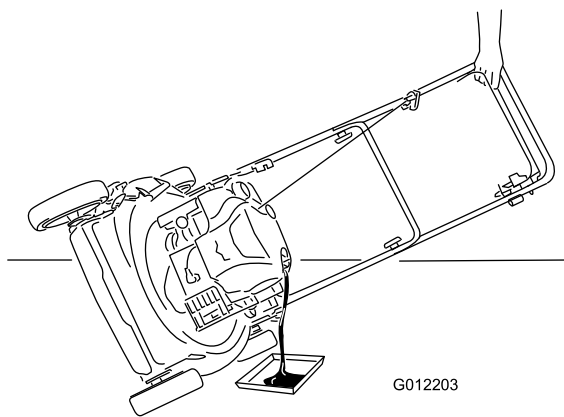
Kör motorn i några minuter före oljebytet för att värma oljan. Varm olja rinner lättare och för med sig mer föroreningar.

1. Utför underhållsförberedelser, se Underhållsförberedelser.
2. Ta bort oljestickan (Figur 34).



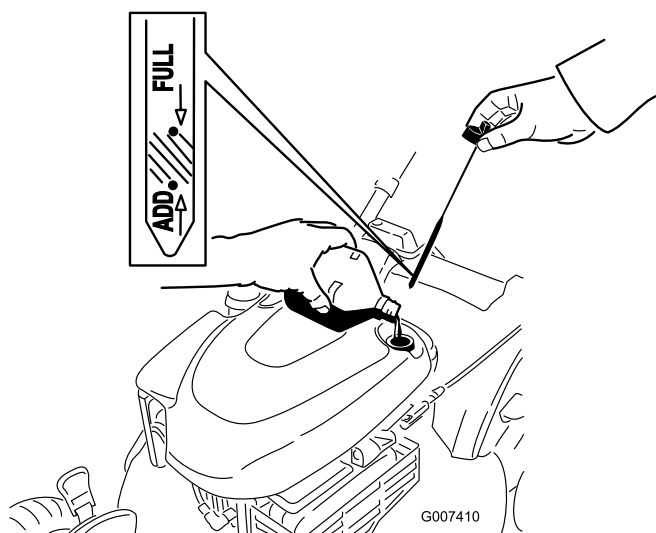
Figur 34

3. Tippa gräsklipparen på sidan (med luftfiltret uppåt) för att tömma ut den använda oljan genom påfyllningsröret (Figur 35).



Figur 35

4. Fyll **långsamt** på olja i påfyllningsröret tills nivån når markeringen **Full** på oljestickan (Figur 36). **Fyll inte på för mycket.** (Maximal påfyllning: 0,59 l, typ: renande SAE 30-olja med API-klassificering SF, SG, SH, SJ, SL eller högre.)



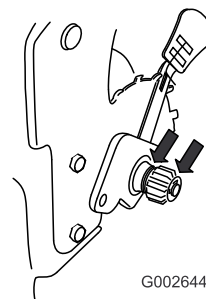
Figur 36

5. Sätt i oljestickan ordentligt.
6. Kassera den använda oljan enligt lokala föreskrifter på en återvinningsstation.

## Smörja kugghjulen

**Serviceintervall:** Årligen

1. Ta bort hjulbulten i mitten på varje **bakhjul** och ta bort de bakre hjulen.
2. Applicera smörjolja på hjulets in- och utsida så som bilden visar Figur 37.



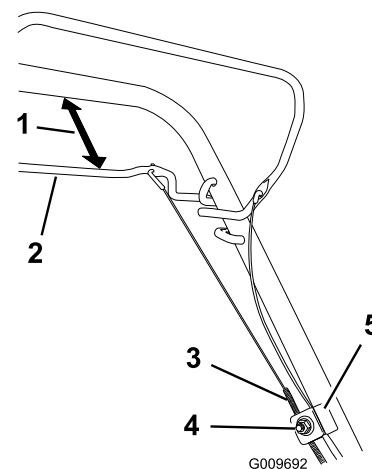
Figur 37

3. Montera de bakre hjulen.

## Justera drivkabeln

Om du monterar en ny drivkabel eller om drivkabeln inte är justerad kan du justera den.

1. Lossa muttern som håller fast kabeln (Figur 38).



Figur 38

- |                        |                                  |
|------------------------|----------------------------------|
| 1. 25 till 38 mm       | 4. Mutter som håller fast kabeln |
| 2. Självdrivningsstång | 5. Kabelstöd                     |
| 3. Kabelhölje          |                                  |

2. Håll självdrivningsstången 25 till 38 mm från handtaget (Figur 38).
3. Dra nedåt (mot klipparen) tills kabeln är sträckt (Figur 38).
4. Dra åt muttern som håller fast kabeln.
5. Släpp självdrivningsstången och kontrollera att kabeln är lös.

**Obs:** Kabeln måste vara lös när självdrivningsstången är i frisläppt läge. Annars kan det hända att gräsklipparen förflyttar sig när stången är urkopplad.

## Byta ut kniven

**Serviceintervall:** Årligen

**Viktigt:** För att montera kniven korrekt behöver du en skiftnyckel. Om du inte har någon skiftnyckel eller inte vill utföra den här proceduren kontaktar du en auktoriserad återförsäljare.

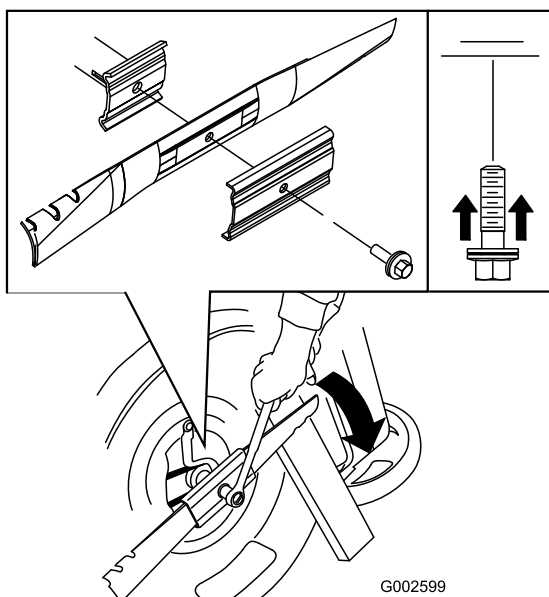
Kontrollera kniven var gång du får slut på bensin. Byt omedelbart ut kniven om den är skadad eller sönder. Byt ut kniven eller låt slipa den om bladet är slött eller repigt.

### ⚠ VARNING

Kniven är skarp – kontakt med kniven kan orsaka allvarliga personskador.

Använd handskar då du handskas med kniven.

1. Lossa tändkabeln från tändstiftet. Se Underhållsförberedelser.
2. Lägga klipparen på sidan med luftfiltret uppåt.
3. Håll kniven stilla med hjälp av en tråkloss (Figur 39).



Figur 39

4. Ta bort kniven och spara alla monteringsdelar (Figur 39).
5. Sätt fast den nya kniven och alla monteringsdelar (Figur 39).

**Viktigt:** Låt knivens böjda del peka mot klipparkåpan.

6. Använd en skiftnyckel för att dra åt knivbulten till 82 Nm.

**Viktigt:** En bult åtdragen till ett moment på 82 Nm är mycket hårt åtdragen. Lägga din tyngd på spärrhaken eller skiftnyckeln och dra åt bulten ordentligt, samtidigt som du håller fast kniven med en tråkloss. Det är mycket svårt att dra åt bulten för mycket.

## Rengöra klipparen

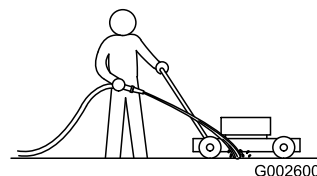
Serviceintervall: Varje användning eller dagligen

### ⚠ VARNING

Det kan lossna material från under klipparkåpan.

- Använd ögonskydd.
  - Stå kvar i köräge (bakom handtaget).
  - Håll kringstående på avstånd.
1. Spruta en vattenstråle framför det **högra** bakhjulet medan motorn är igång och gräsklipparen befinner sig på en plan stenbelagd yta (Figur 40).

**Obs:** Vattnet kommer att skvätta upp längs kniven och skölja bort klippet.



Figur 40

2. Stäng av vattnet och flytta gräsklipparen till ett torrt område när det inte längre kommer ut något klipp.
3. Kör motorn i några minuter för att låta kåpan torka så att den inte rostar.

## Förvaring

Förvara klipparen i ett svalt, rent och torrt utrymme.

## Förbereda klipparen för förvaring

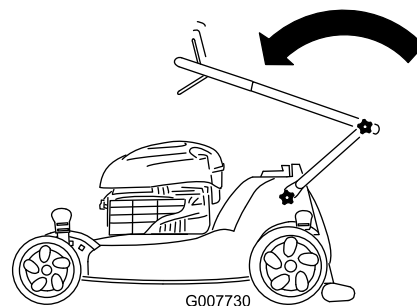
### ⚠ VARNING

Bensinångor kan explodera.

- Förvara inte bensin längre än 30 dagar.
- Förvara inte klipparen i ett slutet utrymme nära öppen eld.
- Låt motorn svalna innan den ställs i förvaring.

1. När du ska fylla på bränsle för sista gången på året ska du tillsätta bränslestabiliserare till bränslet enligt motortillverkarens anvisningar.
2. Kör klipparen tills motorn stannar på grund av bensinstopp.
3. Snapsa motorn och starta den igen.

4. Låt motorn vara igång tills den stannar. När du inte kan starta motorn längre är den tillräckligt torr.
5. Koppla ur tändkabeln från tändstiftet och anslut kabeln till kabelhållaren.
6. Ta bort tändstiftet och tillsätt 30 ml olja genom tändstiftshålet och dra **sakta** i startsnöret flera gånger, för att fördela oljan i cylindern. Detta förhindrar att cylindern rostar när maskinen inte används.
7. Sätt tillbaka tändstiftet och dra åt det med en momentnyckel till 20 Nm.
8. Dra åt alla muttrar, bultar och skruvar.



**Figur 42**

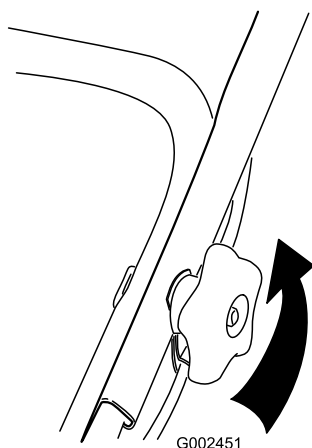
3. Utför stegen ovan i omvänd ordning för att fälla ut handtaget.

## Fälla ned handtaget

### **⚠ VARNING**

Om du fäller upp eller ned handtaget på fel sätt kan detta skada kablar och resultera i ett farligt driftstillstånd.

- Skada inte kablarna när du fäller upp och ned handtaget.
  - Kontakta en auktoriserad återförsäljare om en kabel skadas.
1. Lossa handtagsvreden tills du fritt kan röra det övre handtaget (Figur 41).



**Figur 41**

2. Fäll det övre handtaget framåt så som bilden visar Figur 42.

# Anteckningar:

# Anteckningar:

## Lista över internationella återförsäljare

| <b>Återförsäljare:</b>               | <b>Land:</b>          | <b>Telefonnummer:</b> |
|--------------------------------------|-----------------------|-----------------------|
| Atlantis Su ve Sulama Sisstemleri Lt | Turkiet               | 90 216 344 86 74      |
| Balama Prima Engineering Equip.      | Hongkong              | 852 2155 2163         |
| B-Ray Corporation                    | Korea                 | 82 32 551 2076        |
| Casco Sales Company                  | Puerto Rico           | 787 788 8383          |
| Ceres S.A.                           | Costa Rica            | 506 239 1138          |
| CSSC Turf Equipment (pvt) Ltd.       | Sri Lanka             | 94 11 2746100         |
| Cyril Johnston & Co.                 | Nordirland            | 44 2890 813 121       |
| Equiver                              | Mexiko                | 52 55 539 95444       |
| Femco S.A.                           | Guatemala             | 502 442 3277          |
| G.Y.K. Company Ltd.                  | Japan                 | 81 726 325 861        |
| Geomechaniki of Athens               | Grekland              | 30 10 935 0054        |
| Guandong Golden Star                 | Kina                  | 86 20 876 51338       |
| Hako Ground and Garden               | Sverige               | 46 35 10 0000         |
| Hako Ground and Garden               | Norge                 | 47 22 90 7760         |
| Hayter Limited (U.K.)                | Storbritannien        | 44 1279 723 444       |
| Hydroturf Int. Co Dubai              | Förenade Arabemiraten | 97 14 347 9479        |
| Hydroturf Egypt LLC                  | Egypten               | 202 519 4308          |
| Ibea S.P.A.                          | Italien               | 39 0331 853611        |
| Irriamc                              | Portugal              | 351 21 238 8260       |
| Irrigation Products Int'l Pvt Ltd.   | Indien                | 86 22 83960789        |
| Jean Heybroek b.v.                   | Nederländerna         | 31 30 639 4611        |
| Lely (U.K.) Limited                  | Storbritannien        | 44 1480 226 800       |
| Maquiver S.A.                        | Colombia              | 57 1 236 4079         |
| Maruyama Mfg. Co. Inc.               | Japan                 | 81 3 3252 2285        |
| Metra Kft                            | Ungern                | 36 1 326 3880         |
| Mountfield a.s.                      | Tjeckien              | 420 255 704 220       |
| Munditol S.A.                        | Argentina             | 54 11 4 821 9999      |
| Oslinger Turf Equipment SA           | Ecuador               | 593 4 239 6970        |
| Oy Hako Ground and Garden Ab         | Finland               | 358 987 00733         |
| Parkland Products Ltd.               | Nya Zeeland           | 64 3 34 93760         |
| Prochaska & Cie                      | Österrike             | 43 1 278 5100         |
| RT Cohen 2004 Ltd.                   | Israel                | 972 986 17979         |
| Riversa                              | Spanien               | 34 9 52 83 7500       |
| Roth Motorgerate GmbH & Co.          | Tyskland              | 49 7144 2050          |
| Sc Svend Carlsen A/S                 | Danmark               | 45 66 109 200         |
| Solvart S.A.S.                       | Frankrike             | 33 1 30 81 77 00      |
| Spypros Stavrinides Limited          | Cypern                | 357 22 434131         |
| Surge Systems India Limited          | Indien                | 91 1 292299901        |
| T-Markt Logistics Ltd.               | Ungern                | 36 26 525 500         |
| Toro Australia                       | Australien            | 61 3 9580 7355        |
| Toro Europe BVBA                     | Belgien               | 32 14 562 960         |



## Toros garanti

### Fel och produkter som omfattas

The Toro® Company och dess dotterbolag, Toro Warranty Company, lovar tillsammans, enligt ett avtal dem emellan, att reparera de angivna Toro-produkterna som listas nedan som används för normalt arbete i hemmet\* om material- eller tillverkningsfel föreligger.

Följande tidsperioder gäller från inköpsdatumet:

#### Produkter

Manuell motordriven klippare  
Åkgräsklippare med motor bak  
Åkgräsklippare  
Elektriska handhållna produkter  
Snöslungor  
Konsumentklippare med noll vändradie

#### Garantiperiod

Två års begränsad garanti  
Två års begränsad garanti  
Två års begränsad garanti  
Två års begränsad garanti  
Två års begränsad garanti  
Två års begränsad garanti

\* Med Ursprunglig köpare avses den person som ursprungligen köpte Toro-produkterna.

\* Med "arbete i hemmet" avses bruk av produkten i hemmet. Om produkten används på mer än ett ställe, eller i utbildnings- eller uthyringssyfte, räknas det som kommersiellt bruk och då gäller garantin för kommersiellt bruk.

### Begränsad garanti för kommersiellt bruk

Garantin gäller Toro-konsumentprodukter och tillbehör som används i kommersiellt syfte, utbildnings- eller uthyringssyfte rörande material- eller utförandefel under följande tidsperioder från inköpsdatumet:

#### Produkter

Manuell motordriven klippare  
Åkgräsklippare med motor bak  
Åkgräsklippare  
Elektriska handhållna produkter  
Snöslungor  
Konsumentklippare med noll vändradie

#### Garantiperiod

90 dagars garanti  
90 dagars garanti  
90 dagars garanti  
90 dagars garanti  
90 dagars garanti  
45 dagars garanti

### Anvisningar för garantiservice

Följ denna procedur om du tror att det är något fel på din Toro-produkt rörande material eller utförande:

1. Kontakta din försäljningsrepresentant för att ordna produktservice. Om du av någon anledning inte kan kontakta din representant kan du i stället kontakta en Toro-auktoriserad återförsäljare för att få service där.
2. Ta med produkten och inköpsbeviset (kvittot) till återförsäljaren. Om du av någon anledning är missnöjd med din återförsäljares analys eller med den hjälp du får är du välkommen att kontakta oss på:

Customer Care Department, Consumer Division  
The Toro Company  
8111 Lyndale Avenue South  
Bloomington, MN 55420-1196  
Chef: Teknisk produktsupport: 001-952-887-8248

Se bifogad återförsäljarlista.

### Ägarens ansvar

Du måste underhålla din Toro-produkt enligt de underhållsförfaranden som beskrivs i *bruksanvisningen*. Sådant rutinunderhåll bekostas av dig, oavsett om det utförs av en återförsäljare eller av dig själv.

### Produkter och fel som inte omfattas

Denna uttryckliga garanti omfattar inte följande:

- Kostnader för regelbundet underhåll eller slittdelar, som rotorblad (paddlar), skrapor, remmar, bränsle, smörjmedel, oljebyten, tändstift, kablar/kablage eller bromsjusteringar
- Alla produkter eller delar som ändras, används felaktigt eller som måste bytas ut eller repareras på grund av olyckshändelse eller brist på underhåll.
- Nödvändiga reparationer på grund av underlåtenhet att använda färskt bränsle (ej mer än en månad gammalt) eller underlåtenhet att förbereda enheten korrekt för en längre tids driftstopp (över en månad).
- Motor och transmission. Dessa omfattas av respektive tillverkarens garantier med separata villkor och regler

Alla reparationer som omfattas av denna garanti måste utföras av en auktoriserad Toro-återförsäljare med reservdelar som godkänts av Toro.

### Allmänna villkor

Köparens rättigheter regleras av de nationella lagar som gäller i respektive land. De rättigheter köparen har i dessa lagar begränsas inte genom denna garanti.