



Count on it.

Parts Catalog

H132 Rear-Engine Riding Mower

Model No. 70186—Serial No. 31000001 and Up

Ordering Replacement Parts

To order replacement parts, please supply the part number, the quantity, and the description of each part desired.

Understanding Reference Numbers

Each identified part in an illustration has a reference number. The reference number for a part also appears in the parts list, along with other information about the part.

This catalog uses two special reference number formats, one to indicate parts in a service assembly and another to indicate the quantity of a given part in an illustration.

Service Assembly Reference Numbers

Parts in service assemblies have reference numbers in the form a:b. The a represents the reference number of the entire service assembly and the b represents a sequential number unique to each part within the service assembly.

For example, a wheel assembly might be identified by reference number 6, the tire by 6:1, the valve by 6:2, and the wheel by 6:3. When you order the assembly identified by reference number 6, you receive all parts identified by reference numbers 6:1, 6:2, and 6:3. However, you may also order any part individually. Reference numbers of this type appear in illustration and in parts lists.

Reference Numbers Indicating Quantity

In an illustration, if a reference number indicates more than one part, the reference number has the form nX y. The n represents the quantity of the part, the X is the multiplication symbol, and the y represents the reference number.

For example, in an illustration, the reference number 2X 37 means that two of the parts identified by reference number 37 are indicated.

List of Abbreviations

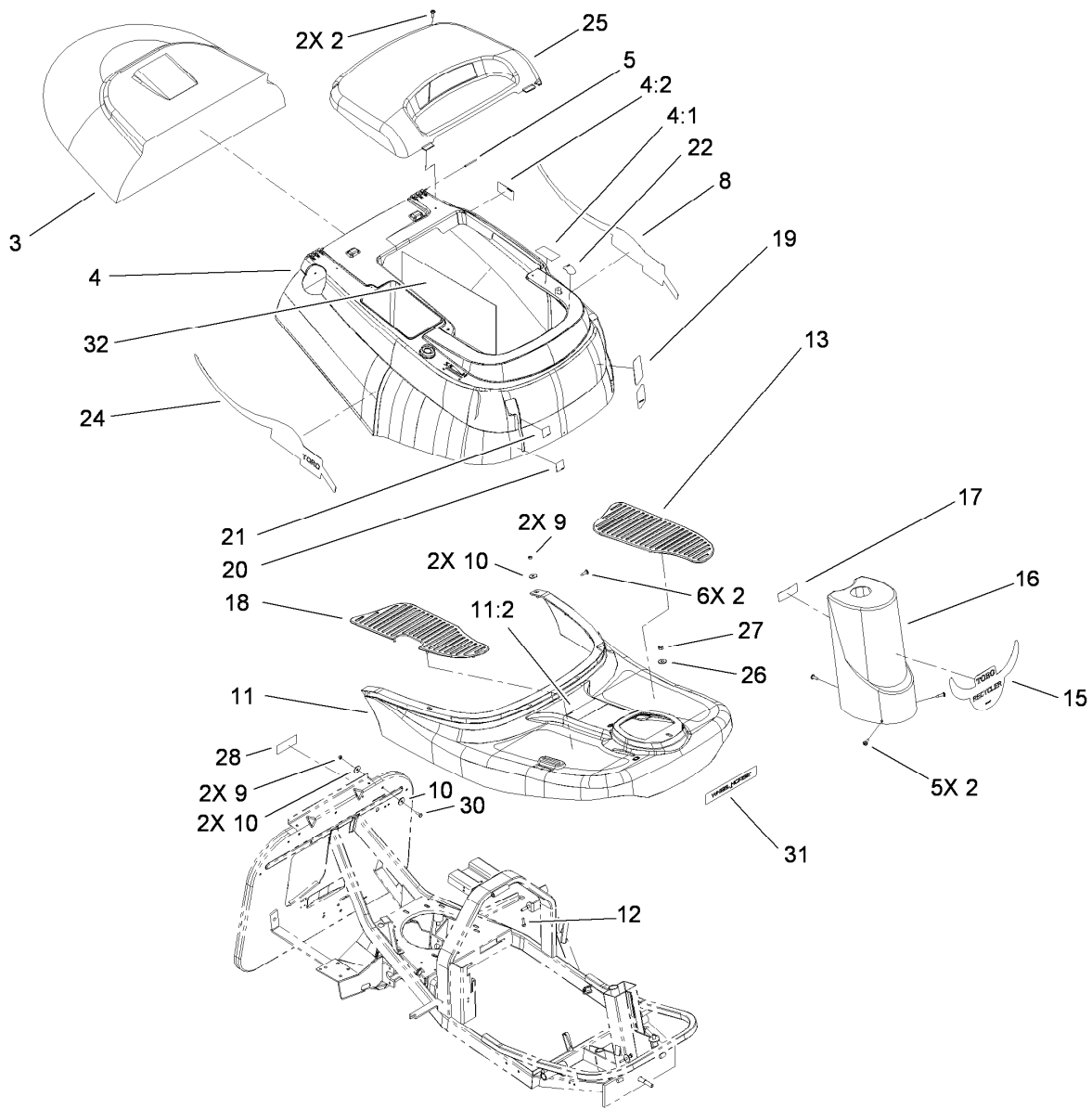
AR: as required
ASM: assembly
BBC: blade brake clutch
CARR: carriage
CCW: counter clock wise
CW: clockwise
DEG: degrees
ECM: electronic control module
EXT: external
FH: flat head
GA: gauge
HD: heavy-duty
HF: hex flange
HH: hex head
HHF: hex head flange
HHFTF: hex head flange thread forming
HJ: hex jam
HLH: hex lag head
HOC: height-of-cut

HSBH: hex socket button head
HSFH: hex socket flat head
HSH: hex socket head
HWH: hex washer head
HWHTF: hex washer head thread forming
HYD: hydraulic
LH: left hand
NI: nylon insert
NPTF: national pipe thread fine
PFH: phillips flat head
PPH: phillips pan head
PPHTF: phillips pan head thread forming
PRH: phillips round head
PTH: phillips truss head
PTO: power-take-off
RH: right hand
ROPS: roll-over protection system
RRB: rear roller brush

SFH: slotted fillister head
SHH: slotted hex head
SHWH: slotted hex washer head
SPH: slotted pan head
SQH: square head
SRH: slotted round head
STD: standard
TAP: self tapping
TTH: torx truss head

Contents

Body and Decal Assembly	4
Seat and Rear Bag Assembly	5
Front Axle and Steering Assembly	6
Deck and Spindle Assembly	8
Deck Suspension Assembly	10
Hydro Transaxle Assembly	11
Main Housing Assembly Transmission No. 114-3192	12
Center Section Assembly Transmission No. 114-3192	13
Shaft and Brake Assembly Transmission No. 114-3192	14
Engine and Fuel Tank Assembly	15
Electrical Assembly	16
Attachments and Accessories	17

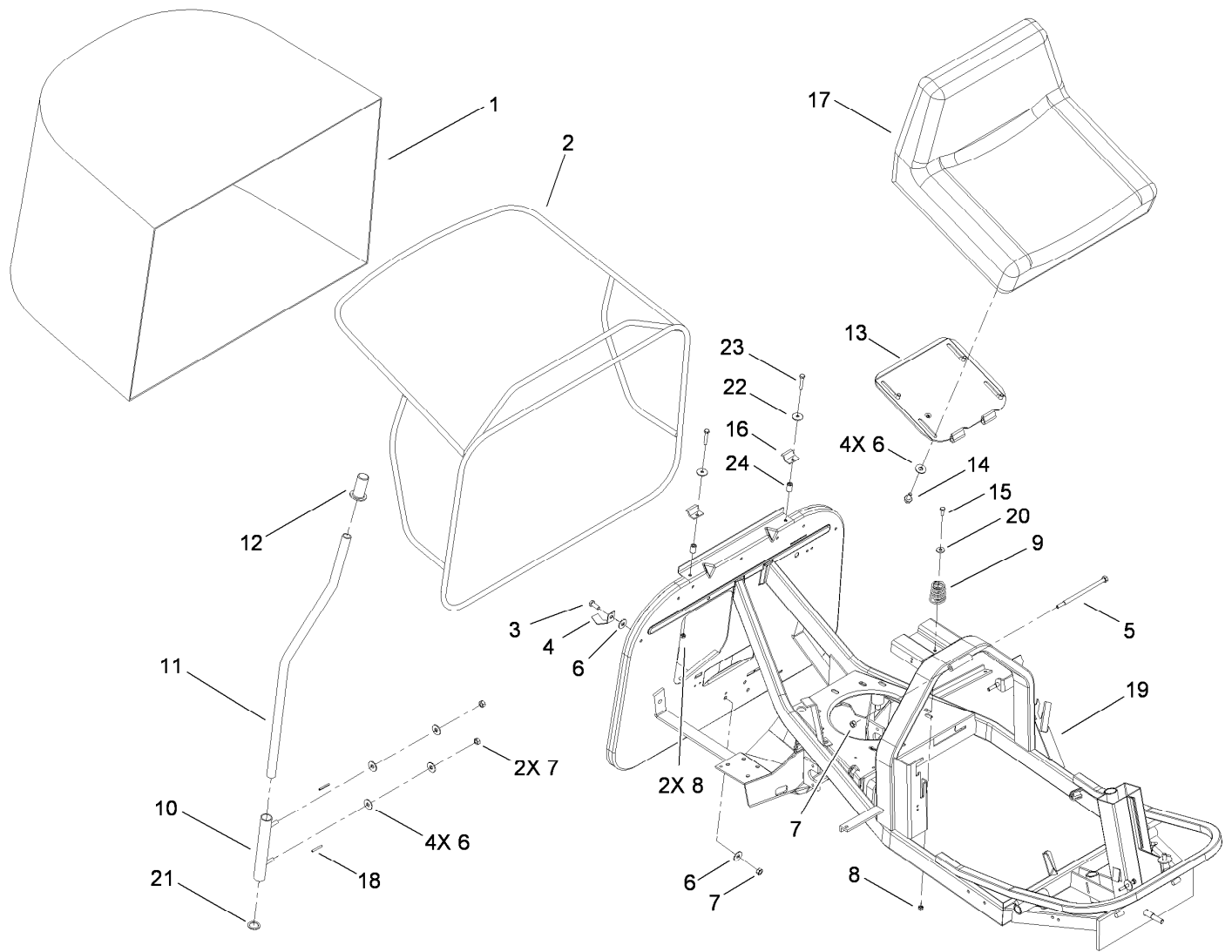


Body and Decal Assembly

Ref.	Part Number	Qty.	Description	Ref.	Part Number	Qty.	Description
2	106-2851	13	Screw-HH, TAP	17		1	Decal-Run Lights ■
3	106-1810	1	Cover-Grass Bag	18	106-2972	1	Floormat-RH
4	106-2885	1	Shroud And Decal ASM	19		1	Decal-HOC ■
4:1		1	Decal-Danger ■	20		1	Decal-PTO, Disengage ■
4:2		1	Decal-Warning, Hot ■	21		1	Decal-PTO, Engage ■
5	106-2870	2	Pin-Dowel	22		1	Decal-Switch ■
8	107-8980	1	Decal	24	107-8981	1	Decal
9	33023-00	7	Nut-Lock	25	106-2860	1	Cover-Engine
10	106-2853	12	Washer-Flat	26	106-2854	1	Washer-Flat
11	106-2901	1	Foot Rest And Decal ASM	27	46-0330	1	Nut-Lock
11:2		1	Decal-Caution ■	28		1	Decal-Disengagement ■
12	33113-020	2	Screw-HH	30	33113-016	2	Screw-HH
13	106-2973	1	Floormat-LH	31	106-6525	1	Decal
15	106-6517	1	Decal-Front	32	119-2735	1	Insulation
16	106-2906	1	Steering-Turret	99	106-2887	1	Decal Kit ●

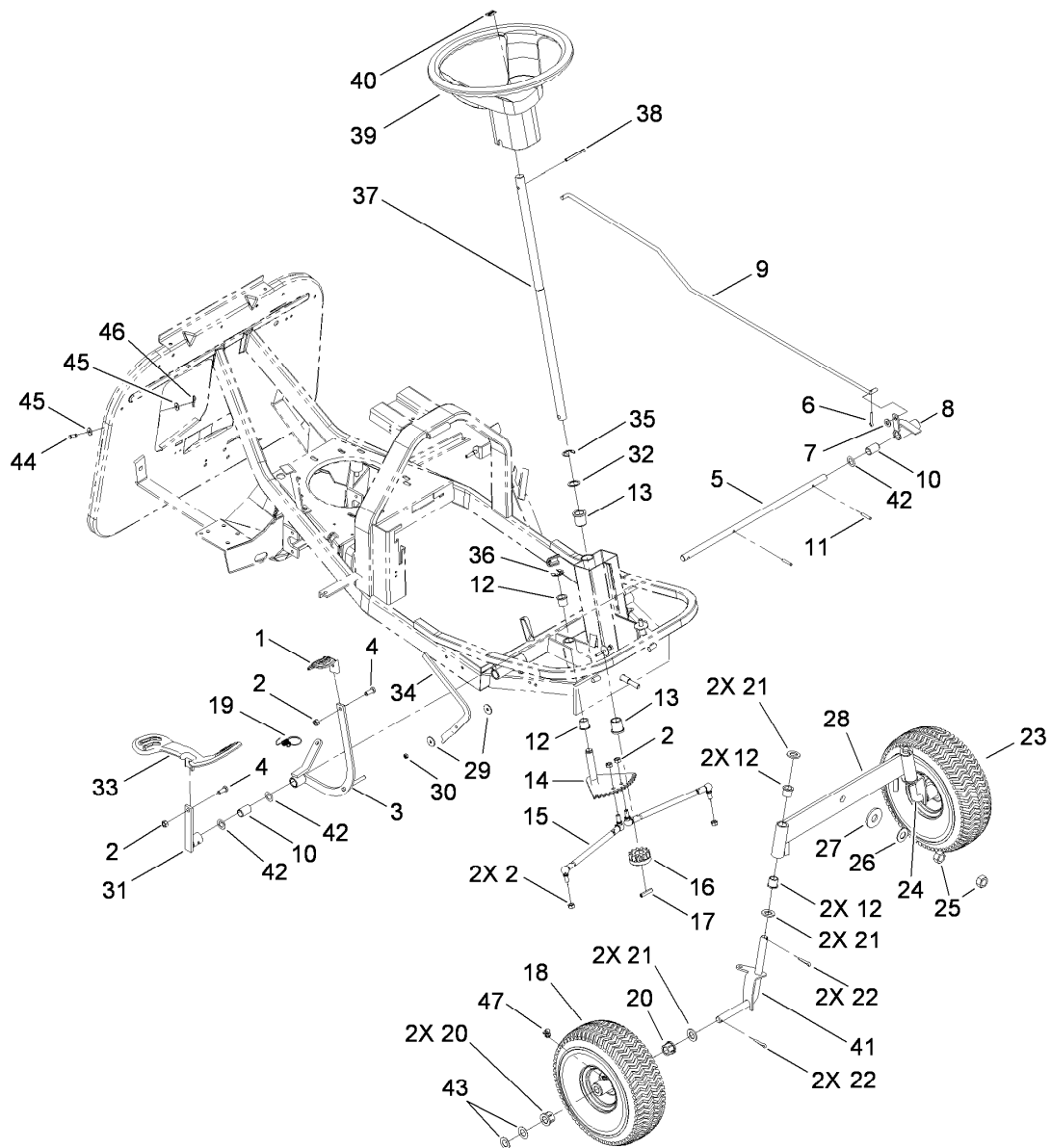
● Not illustrated

■ Not serviced separately



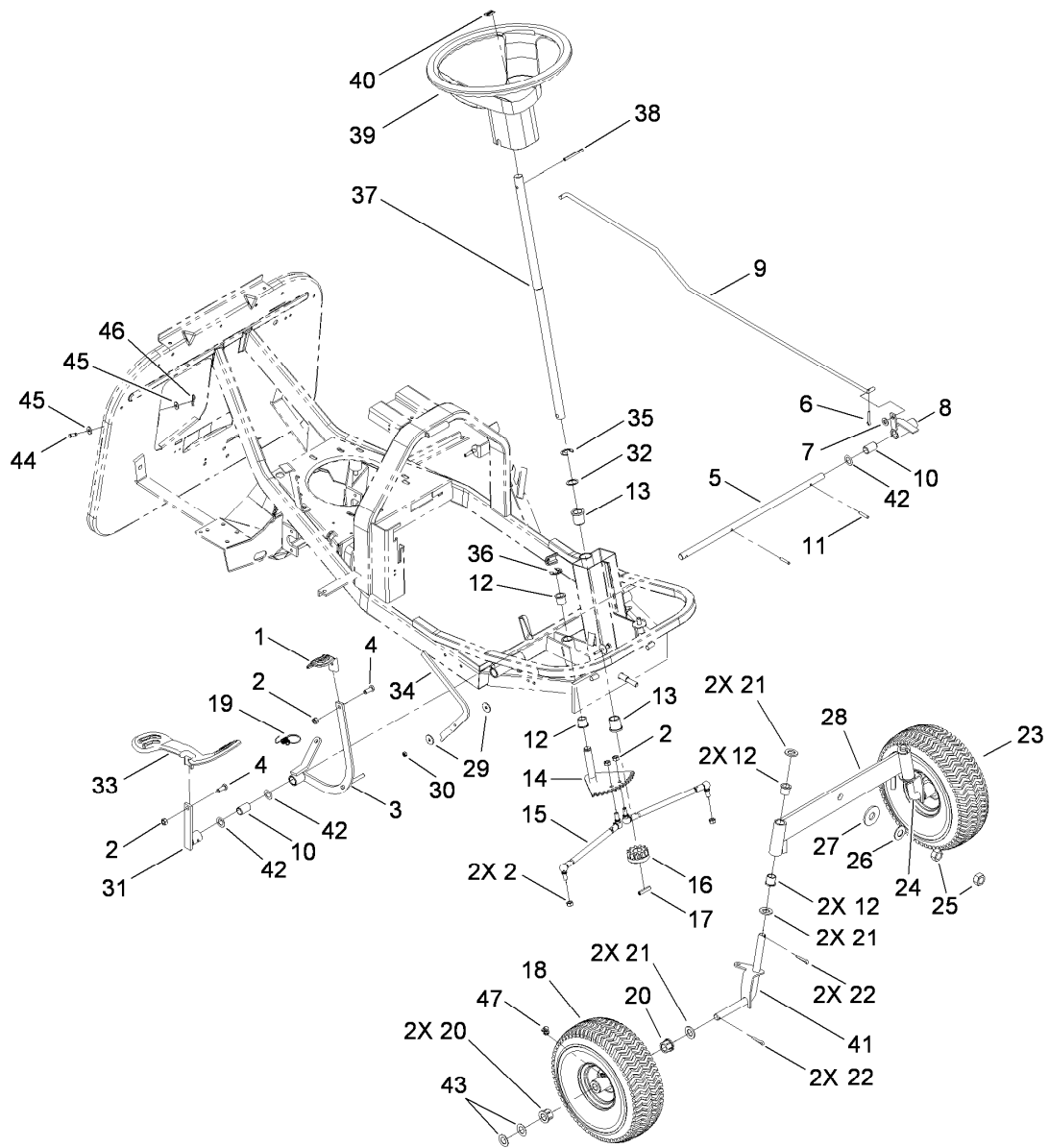
Seat and Rear Bag Assembly

<i>Ref.</i>	<i>Part Number</i>	<i>Qty.</i>	<i>Description</i>	<i>Ref.</i>	<i>Part Number</i>	<i>Qty.</i>	<i>Description</i>
1	106-2867	1	Bag-Grass	13	106-2944	1	Plate-Seat
2	114-3210	1	Frame-Collector	14	33104-016	4	Screw-HHF
3	33114-020	1	Screw-HH	15	33113-016	1	Screw-HH
4	106-2969	1	Hook-Bag	16	106-2929	2	Clip
5	106-1844	1	Screw-HH	17	106-2857	1	Seat
6	106-2854	10	Washer-Flat	18	106-2871	2	Pin-Spring
7	46-0330	4	Nut-Lock	19	114-3187	1	Frame-Complete
8	33023-00	3	Nut-Lock	20	106-2865	1	Washer-Flat
9	106-2945	1	Spring-Compression	21	106-1807	1	Spacer
10	106-2927	1	Support	22	106-2853	2	Washer-Flat
11	106-2928	1	Lever	23	33113-035	2	Screw-HH
12	106-2903	1	Knob	24	114-3212	2	Spacer-Collector



Front Axle and Steering Assembly

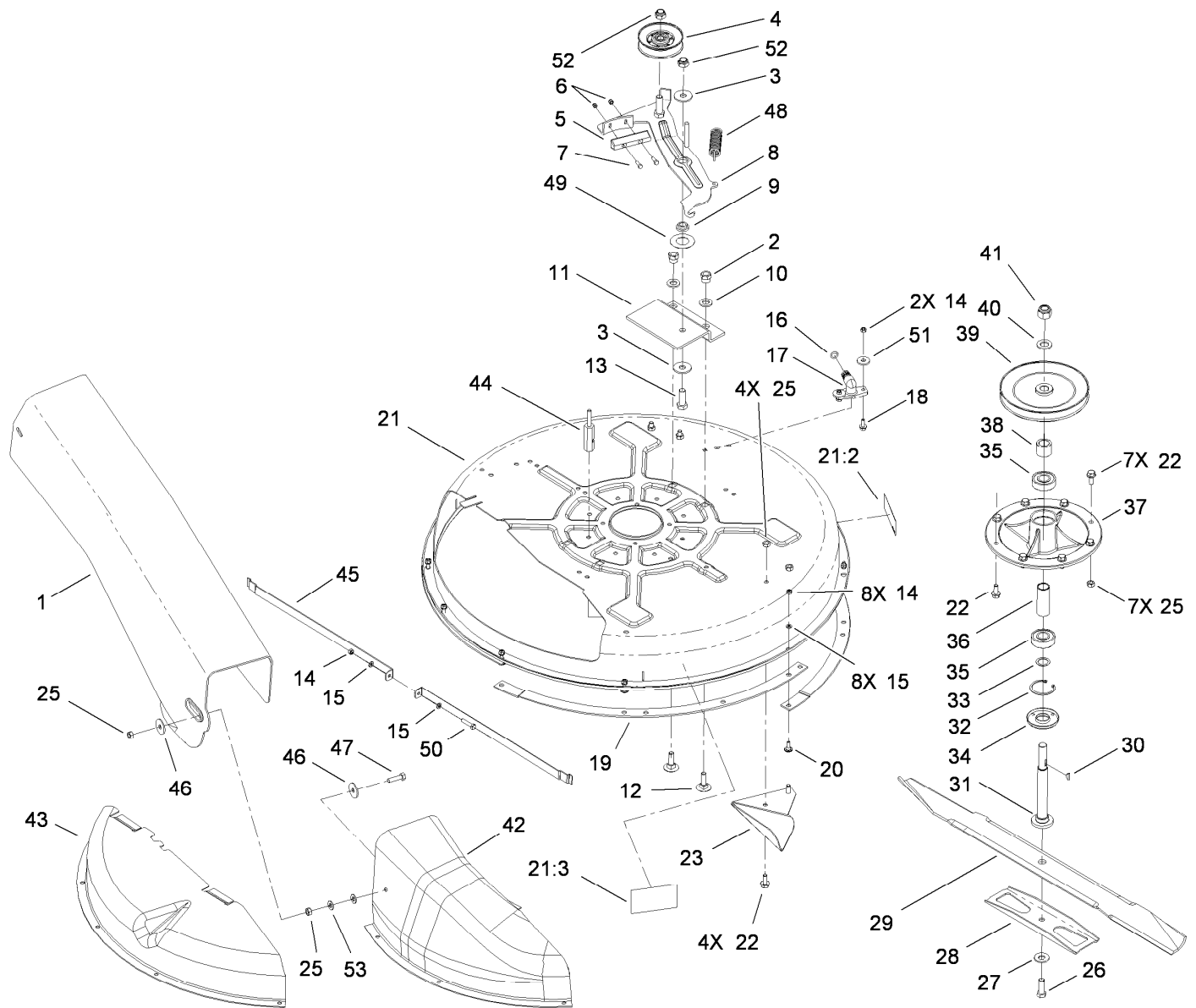
Ref.	Part Number	Qty.	Description	Ref.	Part Number	Qty.	Description
1	106-2957	1	Pedal-Brake	22	3272-21	4	Pin-Cotter
2	46-0330	6	Nut-Lock	23	106-2907	2	Tire
3	114-3208	1	Lever-Brake	24	106-2953	1	Axle-Wheel, LH
4	33114-020	2	Screw-HH	25	33018-00	2	Nut-Hex
5	106-2959	1	Shaft	26	106-2926	1	Washer-Bell
6	3272-21	2	Pin-Cotter	27	106-2925	1	Washer-Flat
7	33094-00	2	Washer-Plain	28	106-2864	1	Axle-Front
8	114-3193	1	Bushing-Linkage	29	106-2853	2	Washer-Flat
9	114-3194	1	Rod-Linkage	30	33023-00	1	Nut-Lock
10	106-2962	2	Bushing	31	106-2923	1	Lever-Foot Pedal
11	106-2874	3	Pin-Dowel	32	106-1807	1	Spacer
12	106-1811	6	Bushing	33	106-2964	1	Pedal
13	106-2873	2	Bushing	34	106-2961	1	Lever
14	106-2868	1	Rack-Steering	35	106-2909	1	Ring-Retaining, EXT
15	106-2933	2	Rod-Tie	36	106-2908	1	Ring-Retaining, EXT
16	106-2878	1	Gear-Steering	37	106-2872	1	Shaft-Steering
17	106-1845	1	Pin-Spiral	38	106-1846	1	Pin-Roll
18	106-2951	2	Wheel	39	106-2883	1	Wheel-Steering
19	107-2236	1	Spring-Return, Brake	40	98-1459	1	Decal
20	106-6508	4	Bushing	41	106-2952	1	Axle-Wheel, RH
21	33098-00	6	Washer-Flat	42	106-1835	3	Spacer



Front Axle and Steering Assembly (continued)

Ref.	Part Number	Qty.	Description
43	106-6544	4	Washer
44	106-6543	1	Pin-Grooved
45	106-2865	2	Washer-Flat

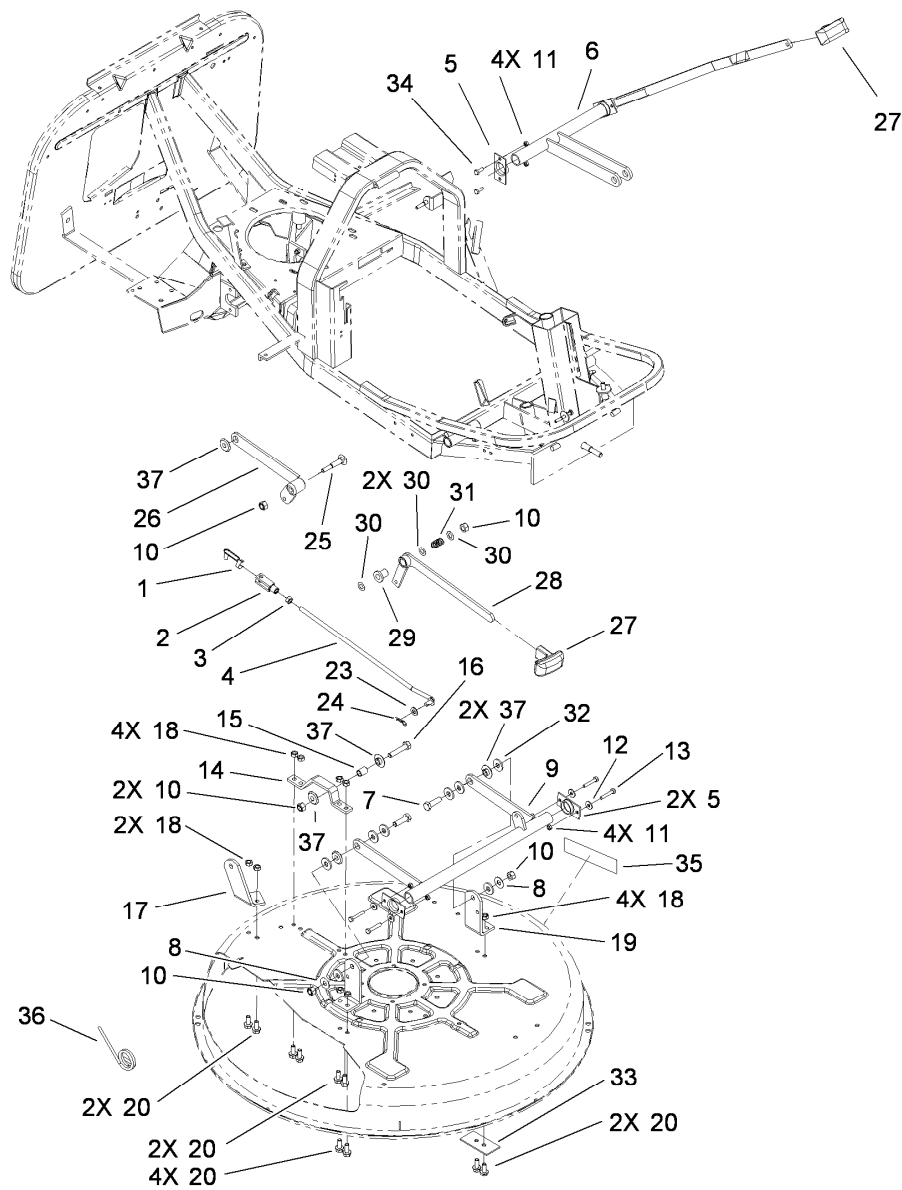
Ref.	Part Number	Qty.	Description
46	106-2879	1	Pin-Hair
47	106-6546	2	Zerk-Grease, 90 DEG



Deck and Spindle Assembly

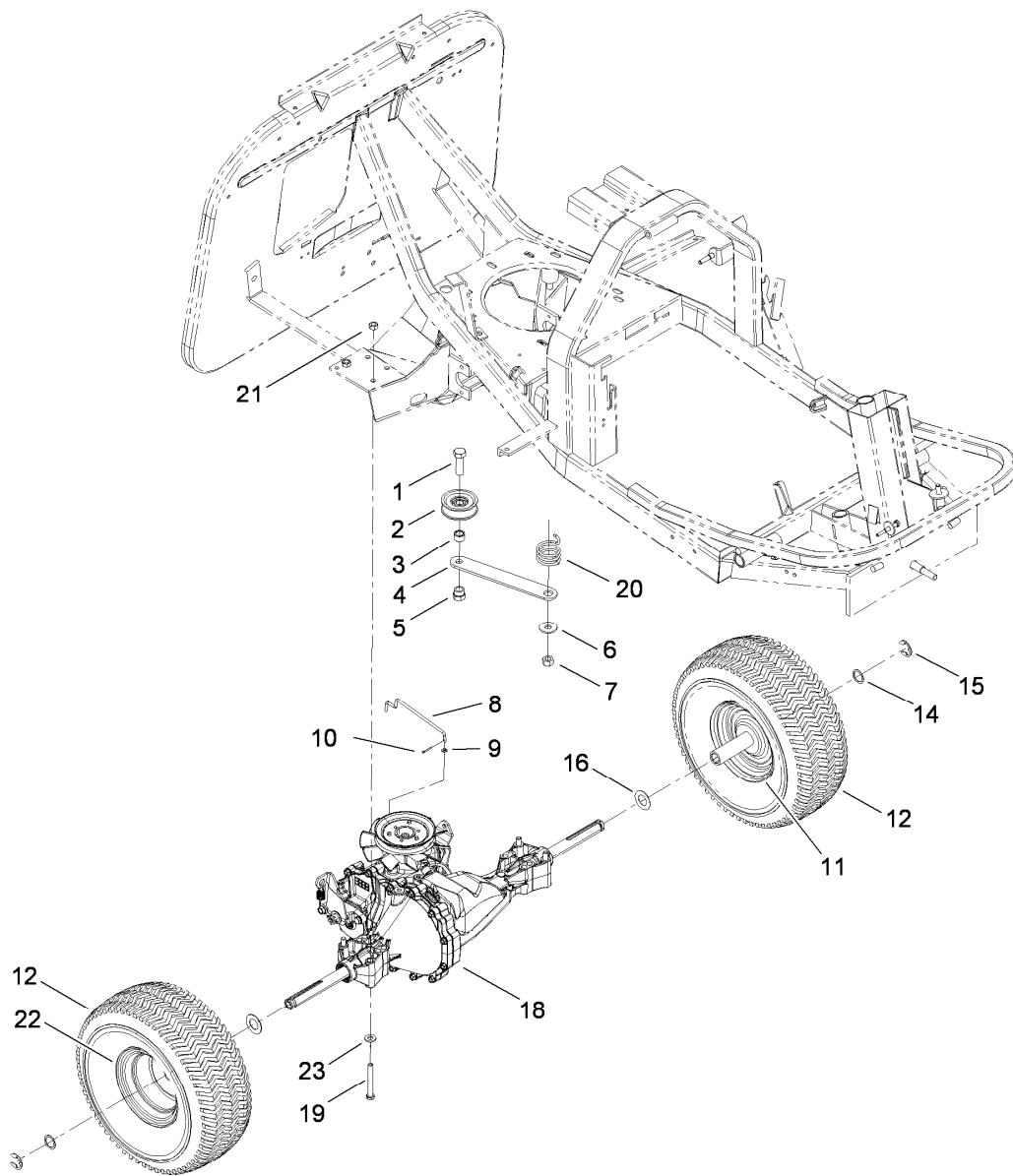
Ref.	Part Number	Qty.	Description	Ref.	Part Number	Qty.	Description
1	106-2970	1	Tube-Discharge	20	106-6510	8	Screw-Sh
2	46-0090	2	Nut-Lock	21	106-6545	1	Deck ASM
3	106-2922	2	Washer-Flat	21:2		1	Decal-Caution ●
4	106-1813	1	Pulley-Idler	21:3		1	Decal-Cover, Discharge ●
5	106-1814	1	Brake-Rubber	22	33104-020	12	Screw-HHF
6	46-0410	2	Nut-Lock	23	80-2630	2	Kicker
7	60-6910	2	Screw	25	46-0330	13	Nut-Lock
8	114-3209	1	Brake ASM	26	3212-5	1	Screw-HH
9	106-2892	1	Bushing	27	106-2858	1	Washer-Bell
10	33096-00	2	Washer-Flat	28	80-4570	1	Stiffener
11	106-2884	1	Bracket-Deck	29	106-6547	1	Blade-Recycler
12	33126-035	2	Screw-CARR	30	106-1805	1	Key
13	33116-035	1	Screw-HH	31	106-2902	1	Shaft-Spindle
14	33023-00	11	Nut-Lock	32	106-2910	1	Ring-Snap
15	33093-00	10	Washer-Flat	33	106-1807	1	Spacer
16	106-1847	1	O-Ring	34	80-4370	1	Shield-Bearing
17	95-2747	1	Fitting-Washout	35	251-297	2	Bearing-Ball
18	33103-016	2	Screw-HHF	36	106-2888	1	Spacer
19	80-4490	4	Ring-Deck	37	56-7030	1	Spindle

● Not serviced separately



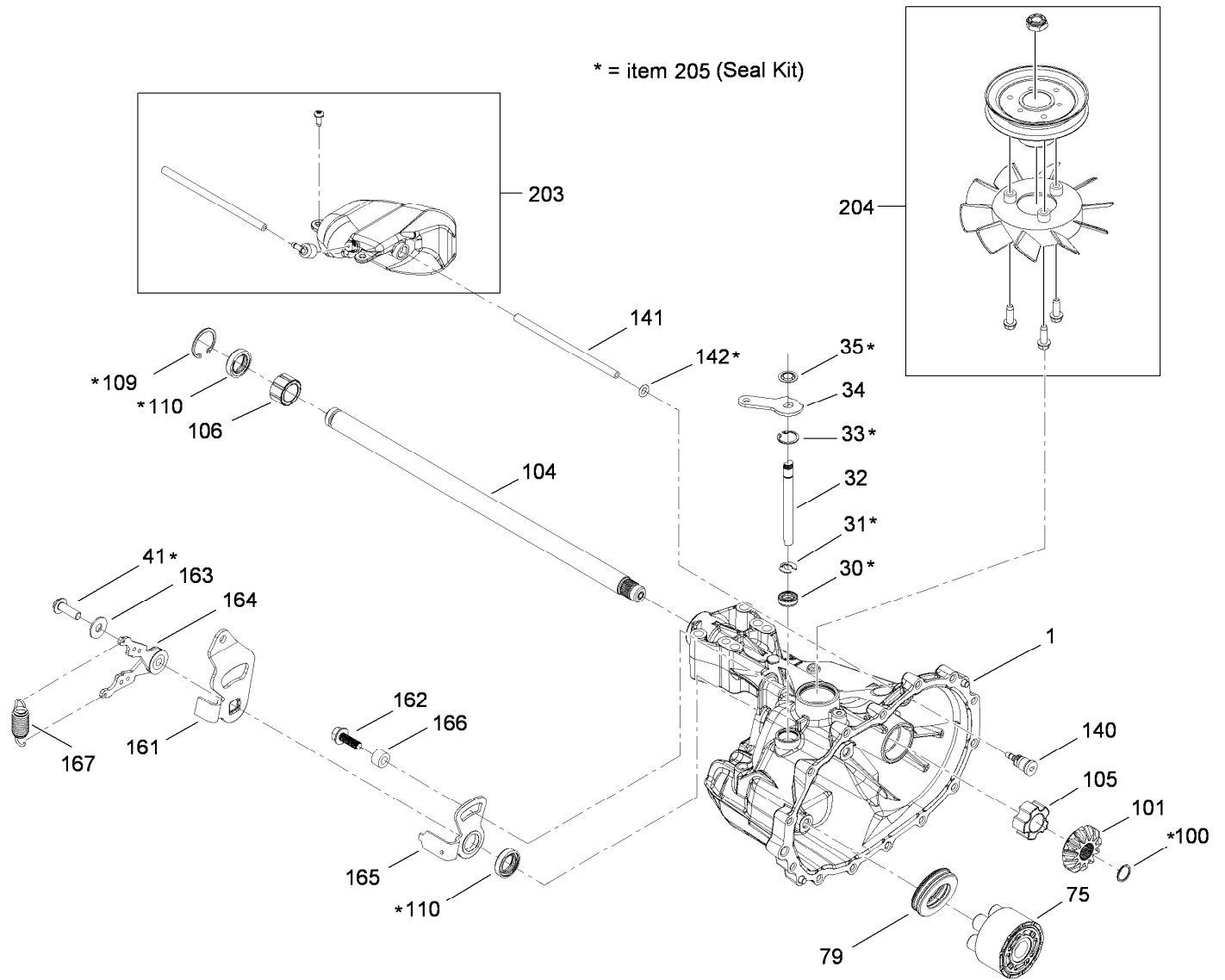
Deck Suspension Assembly

Ref.	Part Number	Qty.	Description	Ref.	Part Number	Qty.	Description
1	106-1809	1	Retainer-Yoke	19	106-2896	2	Bracket-Deck
2	106-1803	1	Yoke	20	33104-020	10	Screw-HHF
3	33014-00	1	Nut-Hex	23	33094-00	1	Washer-Plain
4	106-2937	1	Rod-Tie	24	106-2879	1	Pin-Hair
5	106-2880	3	Bracket-Support	25	106-2882	1	Screw-CARR
6	114-3199	1	Lift Lever ASM	26	114-3198	1	Deck-Hanger, Support
7	33115-035	2	Screw-HH	27	106-2967	2	Handle
8	106-6511	2	Washer-Flat	28	106-2954	1	Lever-Blade, Clutch
9	114-3197	1	Deck Hanger ASM	29	106-2955	1	Bushing
10	33025-00	6	Nut-Lock	30	106-2869	3	Shim
11	33023-00	8	Nut-Lock	31	106-2950	1	Spring-Compression
12	106-2865	4	Washer-Flat	32	106-1806	6	Washer
13	33113-035	4	Screw-HH	33	106-6512	1	Plate
14	106-2895	1	Bracket-Deck	34	33113-016	4	Screw-HH
15	106-2912	1	Bushing	35	106-6406	1	Decal-Recycler
16	33115-050	1	Screw-HH	36	107-2229	1	Spring-Lift, Deck
17	106-2894	1	Bracket-Deck	37	114-3203	5	Bushing-Linkage, Deck
18	46-0330	10	Nut-Lock				



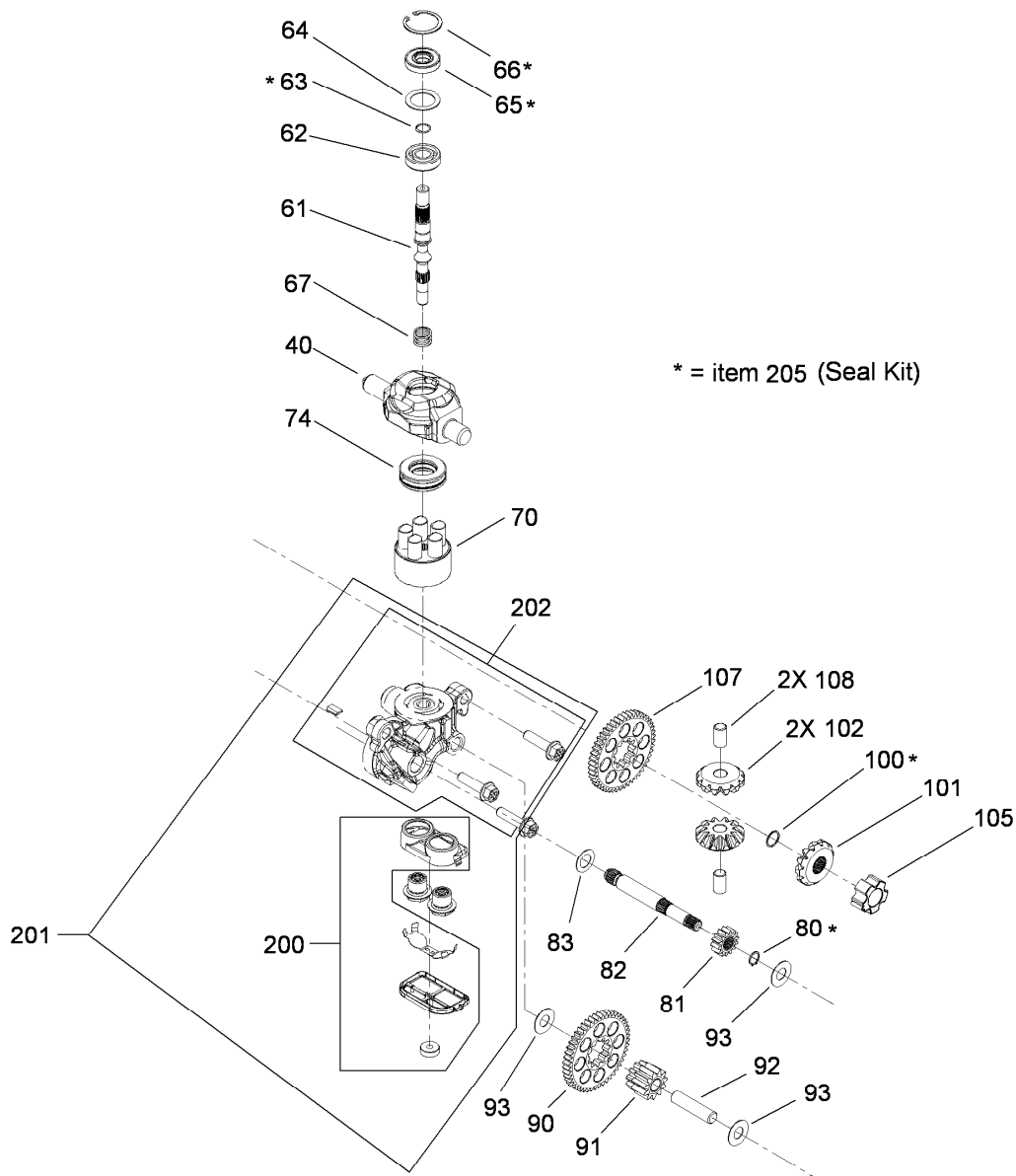
Hydro Transaxle Assembly

<i>Ref.</i>	<i>Part Number</i>	<i>Qty.</i>	<i>Description</i>	<i>Ref.</i>	<i>Part Number</i>	<i>Qty.</i>	<i>Description</i>
1	33116-040	1	Screw-HH	12	106-2913	2	Tire
2	114-3206	1	Pulley	14	114-3202	2	Spacer-Outer
3	106-2984	1	Spacer-Idler	15	106-2909	2	Ring-Retaining, EXT
4	106-2934	1	Bracket	16	114-3190	2	Spacer-Inner
5	46-0090	1	Nut-Lock	18	114-3192	1	Transaxle
6	106-2921	1	Washer-Flat	19	106-2891	4	Screw-HH
7	33025-00	1	Nut-Lock	20	106-2995	1	Spring-Extension
8	114-3195	1	Lever-Release	21	46-0330	4	Nut-Lock
9	106-2904	1	Washer-Flat	22	114-3189	1	Wheel-Rear, Right
10	106-2996	1	Pin-Hair	23	33094-00	4	Washer-Plain
11	114-3188	1	Wheel-Rear, Left				



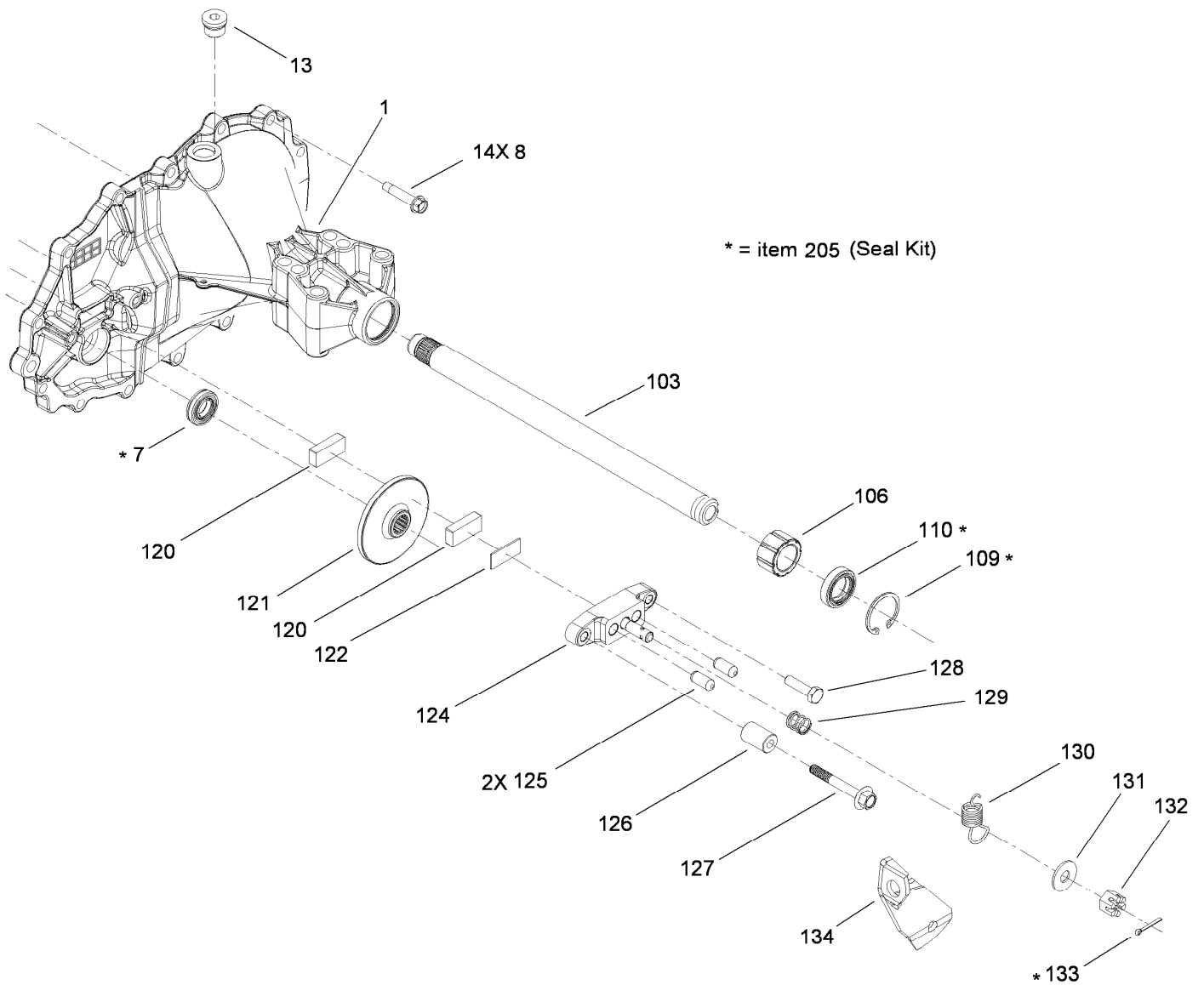
Main Housing Assembly Transmission No. 114-3192

Ref.	Part Number	Qty.	Description	Ref.	Part Number	Qty.	Description
1	115-8313	1	Main Housing Kit	109	115-8303	1	Ring-Retaining, Int
30	106-8676	1	Seal-Lip	110	94-1924	2	Seal
31	106-8677	1	Ring-Retaining, EXT	140	104-5349	1	Fitting-Sae
32	115-8312	1	Rod-Bypass, Actuator	141	115-8302	1	Hose
33	106-8679	1	Ring-Retaining, Int	142	104-5361	1	O-Ring
34	115-8311	1	Arm-Bypass	161	115-8308	1	Arm-Control, Return
35	106-8681	1	Ring-Retaining, EXT	162	104-5312	1	Screw-HF
41	107-2488	1	Screw	163	114-8491	1	Washer
75	103-2666	1	Cylinder Block Kit	164	115-8306	1	Bi Directional Return Kit
79	94-6922	1	Bearing-Thrust	165	115-8310	1	Arm-Neutral
100	104-5328	1	Ring-Retaining, Spiral	166	115-8309	1	Bushing
101	115-8315	1	Gear-Bevel, 12T (Spline, Id)	167	115-8307	1	Spring-Extension
104	115-8305	1	Shaft-Axle, Keyed	203	115-8301	1	Expansion Tank Kit
105	115-8314	1	Bushing-Inboard	204	115-8341	1	Fan And Pulley Kit
106	115-8304	1	Bushing-Outboard	205	115-8316	1	Seal Kit



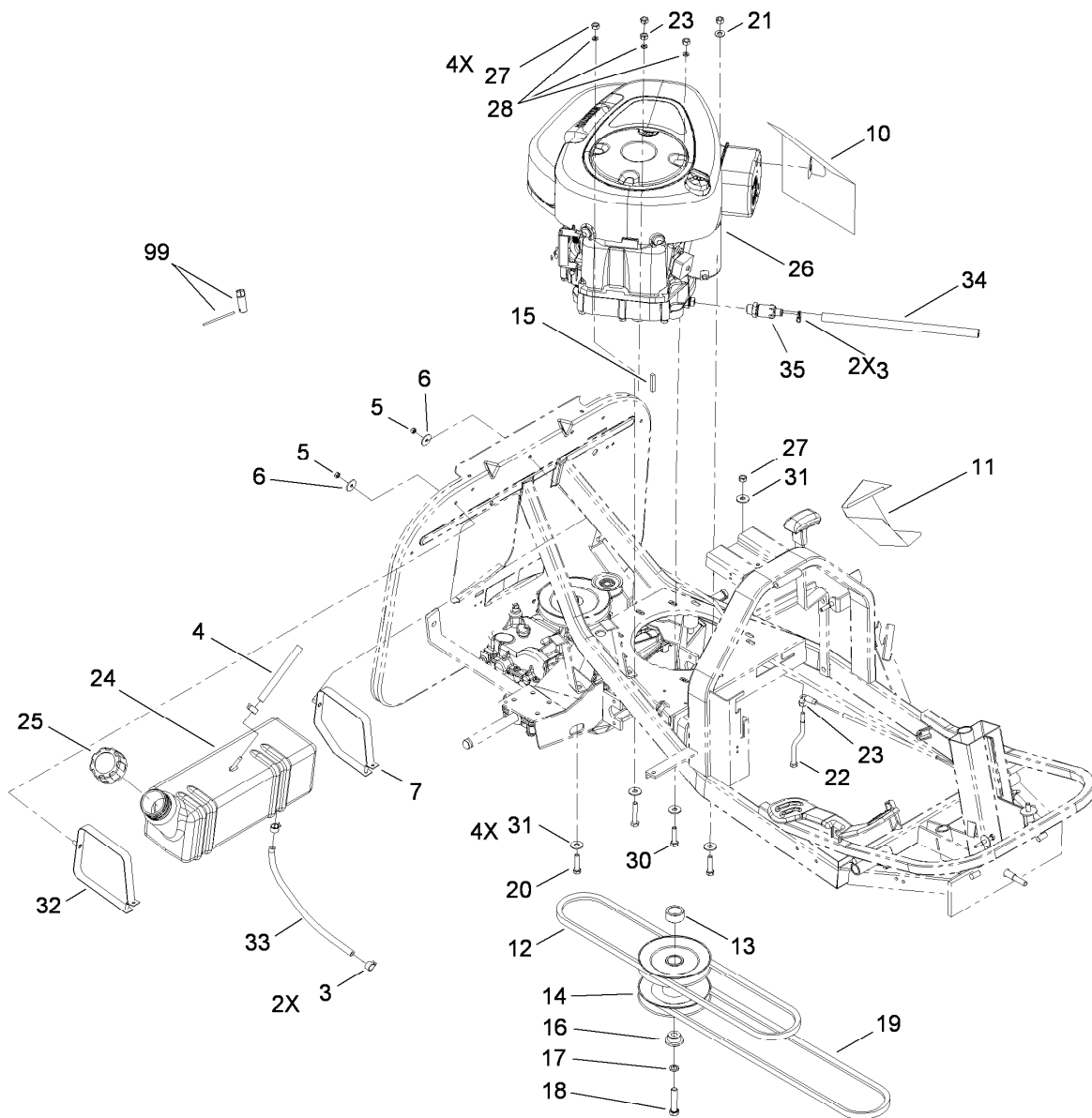
Center Section Assembly Transmission No. 114-3192

<i>Ref.</i>	<i>Part Number</i>	<i>Qty.</i>	<i>Description</i>	<i>Ref.</i>	<i>Part Number</i>	<i>Qty.</i>	<i>Description</i>
40	115-8319	1	Trunnion-Swash Plate	90	115-8332	1	Gear-11T/48T
61	115-8317	1	Shaft-Input	91	115-8333	1	Gear-Jackshaft, 11T
62	94-1904	1	Bearing-Shaft, Ball	92	115-8334	1	Pin-Jackshaft
63	94-1902	1	Ring-Wire, Retaining	93	94-1933	3	Washer
64	104-2104	1	Spacer	100	104-5328	1	Ring-Retaining, Spiral
65	92-6543	1	Seal-Lip	101	115-8315	1	Gear-Bevel, 12T (Spline, Id)
66	94-1903	1	Ring-Retaining	102	115-8327	2	Gear-Bevel, 12T (.50 Id)
67	115-8318	1	Spring-Helical	105	115-8314	1	Bushing-Inboard
70	115-8321	1	Cylinder Block Kit	107	115-8325	1	Gear-53T, Bull
74	115-8320	1	Bearing-Thrust, Ball	108	115-8326	2	Pin-Differential
80	115-8331	1	Ring-Retaining, EXT	200	115-8323	1	Filter Kit
81	115-8330	1	Gear-Pinion, 13T	201	115-8324	1	Center Section W/Filter Kit
82	115-8329	1	Shaft-Motor	202	115-8322	1	Center Section Kit
83	115-8328	1	Washer	205	115-8316	1	Seal Kit



Shaft and Brake Assembly Transmission No. 114-3192

<i>Ref.</i>	<i>Part Number</i>	<i>Qty.</i>	<i>Description</i>	<i>Ref.</i>	<i>Part Number</i>	<i>Qty.</i>	<i>Description</i>
1	115-8313	1	Main Housing Kit	125	104-2176	2	Pin-Brake
7	115-8335	1	Seal-Lip	126	104-2180	1	Spacer
8	104-5305	14	Screw-HHF	127	104-5345	1	Screw-HF
13	112-9850	1	Plug	128	115-8339	1	Screw-Hhcs
103	115-8336	1	Shaft-Axle, Keyed	129	104-2188	1	Spring-Brake, Anti Drag
106	115-8304	1	Bushing-Outboard	130	115-8340	1	Arm-Brake
109	115-8303	1	Ring-Retaining, Int	131	114-8491	1	Washer
110	94-1924	1	Seal	132	93-3807	1	Nut-Castle
120	104-2171	2	Puck-Brake	133	3272-7	1	Pin-Cotter
121	115-8337	1	Rotor-Brake	134	115-8338	1	Spring-Brake, Arm
122	104-2181	1	Puck-Plate	205	115-8316	1	Seal Kit
124	104-5343	1	Yoke-Brake				



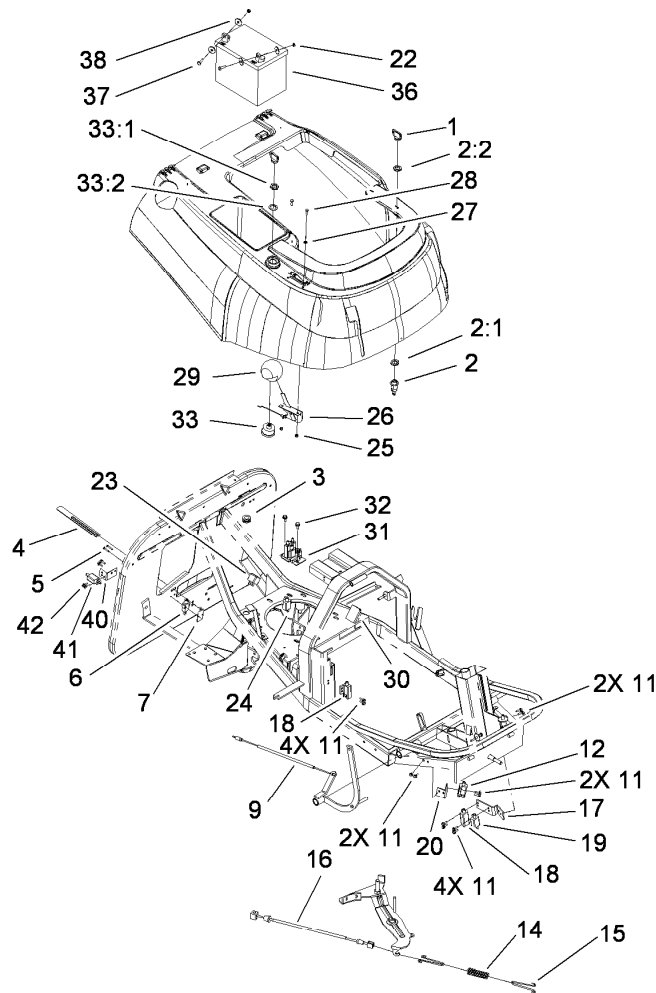
Engine and Fuel Tank Assembly

Ref.	Part Number	Qty.	Description	Ref.	Part Number	Qty.	Description
3	107-2210	4	Clamp-Tube	21	33094-00	1	Washer-Plain
4	106-2990	1	Hose-Fuel	22	106-2974	2	Guide-Belt
5	33023-00	2	Nut-Lock	23	33014-00	2	Nut-Hex
6	106-2853	2	Washer-Flat	24	106-6537	1	Tank-Fuel
7	106-6541	1	Strap-Fuel Tank, Left	25	55-3576	1	Gas Cap ASM
10	119-2733	1	Shield-Muffler	26		1	Engine-Briggs, 219807-0138-B1 ■▲
11	119-2734	1	Deflector-Exhaust	27	46-0330	5	Nut-Lock
12	114-3191	1	Belt	28	33093-00	3	Washer-Flat
13	106-1836	1	Spacer	30	33114-045	1	Screw-HH
14	114-3297	1	Pulley-Engine, Hydro	31	106-2854	5	Washer-Flat
15	67-7490	1	Key-Square	32	106-6540	1	Strap-Fuel Tank, Right
16	106-1837	1	Spacer	33	107-1555	1	Hose-Fuel
17	106-2856	1	Washer-Lock	34	107-2241	1	Tube-Drain, Oil
18	3212-8	1	Screw-HH	35	92-6877	1	Valve-Drain, Oil
19	114-3299	1	Belt-Deck, Hydro	99	107-8937	1	Plug-Wrench ●
20	33114-035	3	Screw-HH				

● Not illustrated

▲ Obtain parts from www.briggsandstratton.com

■ Not serviced separately



Electrical Assembly

Ref.	Part Number	Qty.	Description	Ref.	Part Number	Qty.	Description
1	63-8360	2	Key-Ignition	23	98-7249	1	Relay
2	46-5780	1	Starter Switch ASM	24	65-7410	1	Switch-Pole, Single
2:1	3254-5	1	Washer-Tooth	25	46-0410	2	Nut-Lock
2:2	218-461	1	Nut-HH	26	106-2916	1	Throttle Cable ASM
3	106-2863	1	Grommet	27	52-6430	2	Washer
4	106-1831	1	Lever-Bag Fill	28	60-6910	2	Screw
5	106-2850	2	Screw	29	106-2989	1	Knob
6	106-1843	1	Switch	30	99-3700	1	Module
7	106-1827	1	Clamp-Bag Fill	31	47-1910	1	Solenoid
9	114-3196	1	Cable-Brake	32	106-2852	2	Screw-HHF, TAP
11	106-1849	14	Screw-HH, TAP	33	88-9830	1	Key Switch ASM
12	100-8725	1	Switch-Double, Pole	33:1	3254-5	1	Washer-Tooth
14	106-2917	1	Spring-Compression	33:2	218-461	1	Nut-HH
15	106-2918	2	Hook-Spring	36	104-1755	1	Battery-155 Cca
16	106-2956	1	Cable	37	33113-020	2	Screw-HH
17	106-1808	1	Bracket-Switch	38	106-2853	4	Washer-Flat
18	86-4690	2	Switch-Interlock	39	114-3215	1	Harness-Wiring, Hydro ●
19	65-7410	1	Switch-Pole, Single	40	114-3211	1	Bracket-Collector, Switch
20	106-1816	1	Bracket-Switch	41	65-7410	1	Switch-Pole, Single
22	33013-00	2	Nut-Hex	42	106-1849	4	Screw-HH, TAP

● Not illustrated

Attachments and Accessories

For 70186 H132 Rear-Engine Riding Mower

Product Name	Model/Part
Blade-32in	105-0526
Hitch Bracket Kit	107-2206
Rear Discharge Deflector Kit	79472

Notes:

Notes:



Count on it.