



Count on it.

Parts Catalog

DH 200 Lawn Tractor

Model No. 74573—Serial No. 310000001 and Up

Ordering Replacement Parts

To order replacement parts, please supply the part number, the quantity, and the description of each part desired.

Understanding Reference Numbers

Each identified part in an illustration has a reference number. The reference number for a part also appears in the parts list, along with other information about the part.

This catalog uses two special reference number formats, one to indicate parts in a service assembly and another to indicate the quantity of a given part in an illustration.

Service Assembly Reference Numbers

Parts in service assemblies have reference numbers in the form a:b. The a represents the reference number of the entire service assembly and the b represents a sequential number unique to each part within the service assembly.

For example, a wheel assembly might be identified by reference number 6, the tire by 6:1, the valve by 6:2, and the wheel by 6:3. When you order the assembly identified by reference number 6, you receive all parts identified by reference numbers 6:1, 6:2, and 6:3. However, you may also order any part individually. Reference numbers of this type appear in illustration and in parts lists.

Reference Numbers Indicating Quantity

In an illustration, if a reference number indicates more than one part, the reference number has the form nX y. The n represents the quantity of the part, the X is the multiplication symbol, and the y represents the reference number.

For example, in an illustration, the reference number 2X 37 means that two of the parts identified by reference number 37 are indicated.

List of Abbreviations

AR: as required

ASM: assembly

BBC: blade brake clutch

CARR: carriage

CCW: counter clock wise

CW: clockwise

DEG: degrees

ECM: electronic control module

EXT: external

FH: flat head

GA: gauge

HD: heavy-duty

HF: hex flange

HH: hex head

HHF: hex head flange

HHFTF: hex head flange thread forming

HJ: hex jam

HLH: hex lag head

HOC: height-of-cut

HSBH: hex socket button head

HSFH: hex socket flat head

HSH: hex socket head

HWH: hex washer head

HWHTF: hex washer head thread forming

HYD: hydraulic

LH: left hand

NI: nylon insert

NPTF: national pipe thread fine

PFH: phillips flat head

PPH: phillips pan head

PPHTF: phillips pan head thread forming

PRH: phillips round head

PTH: phillips truss head

PTO: power-take-off

RH: right hand

ROPS: roll-over protection system

RRB: rear roller brush

SFH: slotted fillister head

SHH: slotted hex head

SHWH: slotted hex washer head

SPH: slotted pan head

SQH: square head

SRH: slotted round head

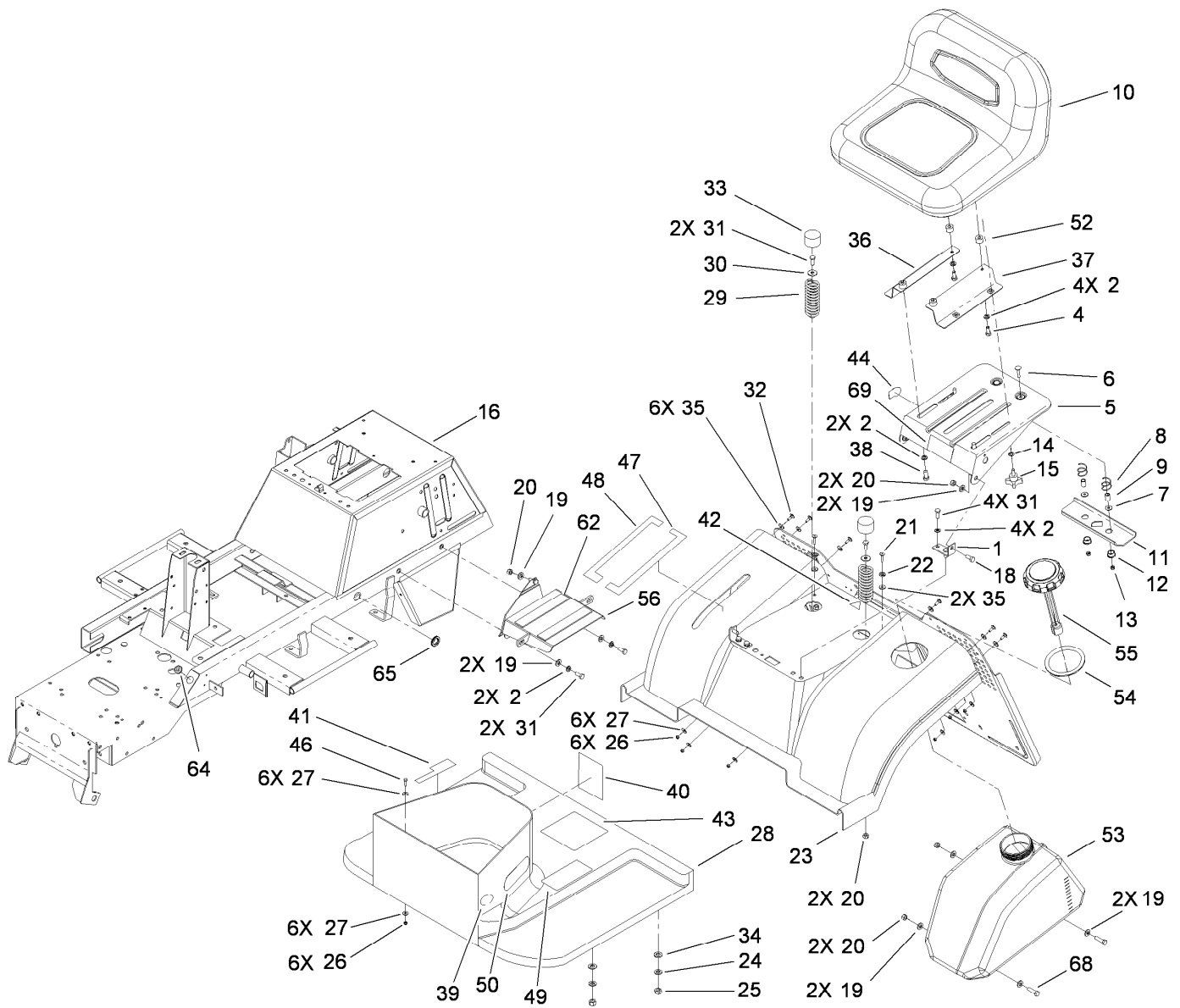
STD: standard

TAP: self tapping

TTH: torx truss head

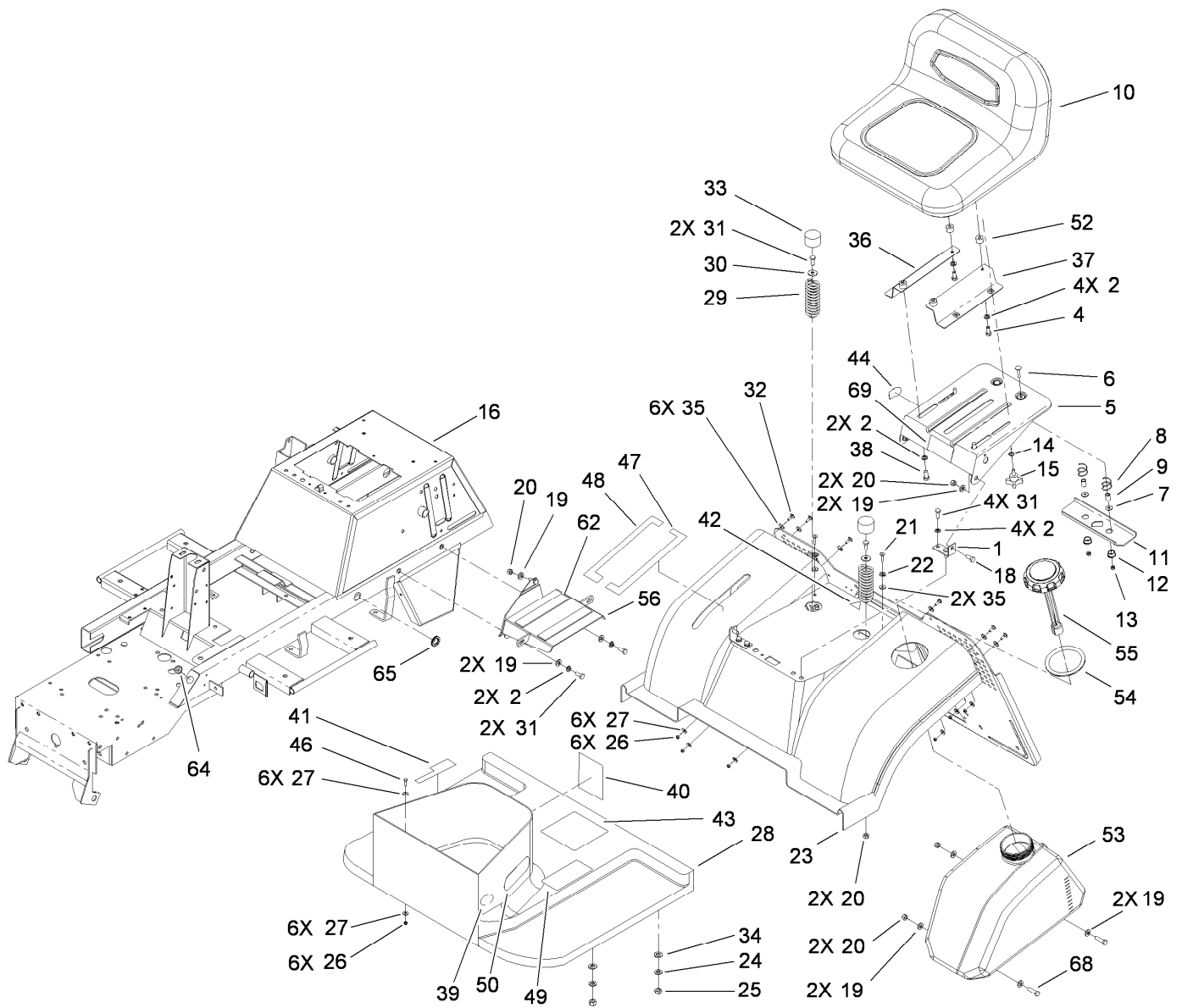
Contents

Frame Assembly	4
Front Axle Assembly	6
Steering Assembly	7
Hood Assembly	8
Engine Assembly	9
Operation - Brake and Bypass Assembly	10
Operation - Travel Pedal Assembly	11
Transmission Drive Assembly	12
Control Shaft Assembly Transmission Assembly No. 114-3155	14
Differential Gear Assembly Transmission Assembly No. 114-3155	15
Final Pinion Assembly Transmission Assembly No. 114-3155	16
Axle Shaft Assembly Transmission Assembly No. 114-3155	17
Brake Assembly Transmission Assembly No. 114-3155	18
Fan Pulley Assembly Transmission Assembly No. 114-3155	19
Range Shift Assembly Transmission Assembly No. 114-3155	20
Center Case Assembly Transmission Assembly No. 114-3155	21
Pump Shaft Assembly Transmission Assembly No. 114-3155	22
Motor Shaft Assembly Transmission Assembly No. 114-3155	23
Transaxle Case Assembly Transmission Assembly No. 114-3155	24
Grass Collector Assembly	25
Tunnel Assembly	26
Cutting Pan and Mower Housing Assembly	27
Cutting Pan and Drive System Assembly	28
Cutting Pan and Bag on Demand Assembly	30
Mower Lift Assembly	31
Harness Assembly	32
Electrical Switch No. 1 Assembly	33
Electrical Switch No. 2 Assembly	34
Electrical Switch No. 3 Assembly	35
Attachments and Accessories	36



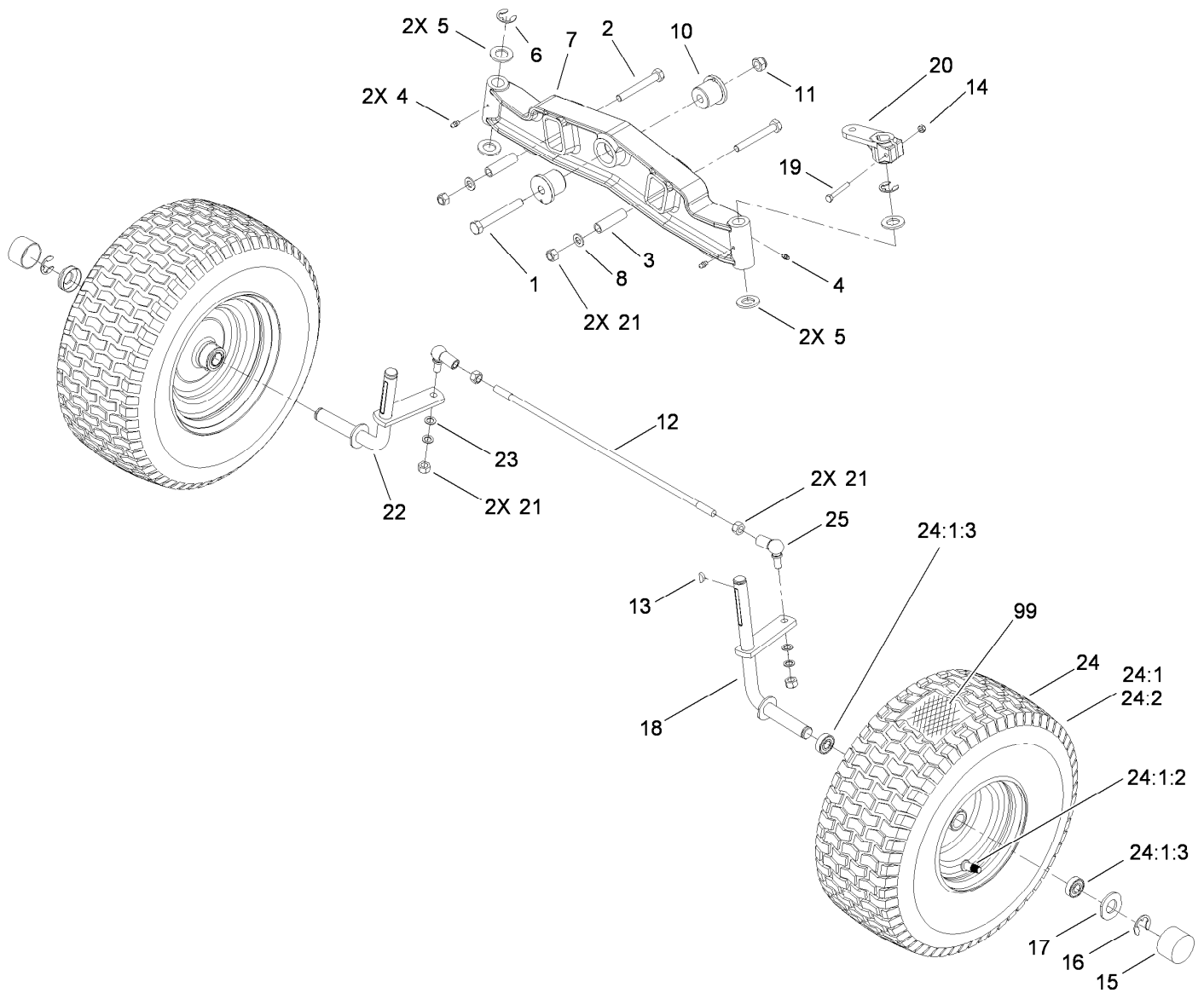
Frame Assembly

Ref.	Part Number	Qty.	Description	Ref.	Part Number	Qty.	Description
1	104-2926	2	Bracket-Support, Seat	24	33095-00	4	Washer-Flat
2	3253-4	12	Washer-Lock	25	33025-00	4	Nut-Lock
4	322-3	4	Screw-HH	26	87-5140	12	Nut-Lock
5	104-2929	1	Support-Seat	27	104-2943	18	Washer-Flat
6	104-2930	2	Bolt-Carriage	28	104-2944	1	Footrest ASM
7	104-2931	2	Washer-Flat	29	104-2945	2	Spring-Seat
8	104-2932	2	Spring-Seat	30	104-2946	2	Washer-Plain
9	104-2933	2	Spacer-Split	31	33114-020	8	Screw-HH
10	107-2214	1	Seat ASM	32	104-2948	6	Bolt-Carriage
11	104-2934	1	Bracket	33	104-2857	2	Cap-Hub
12	104-2935	2	Bushing	34	104-2951	4	Washer-Rubber
13	33023-00	2	Nut-Lock	35	104-2952	8	Washer-Rubber
14	104-2936	2	Washer-Spring	36	107-8915	1	Bracket-Seat, RH
15	104-2937	2	Knob-Adjustment	37	107-8916	1	Bracket-Seat, LH
16	107-8948	1	Chassis-Frame	38	104-3195	2	Screw
18	104-2939	2	Screw-Support, Seat	39	104-3237	1	Decal-Brake, Parking
19	33094-00	9	Washer-Plain	40	104-3238	1	Decal-Starting
20	33024-00	7	Nut-Lock	41	104-3241	1	Decal-Operation, Hydro
21	104-2940	2	Screw-HSFH	42	104-3242	1	Decal-Bag To Frame
22	104-2941	2	Washer-Finish	43	119-2725	1	Decal-Danger, Tractor
23	114-3247	1	Fender-Body, Rear	44	99-5340	1	Decal-Switch



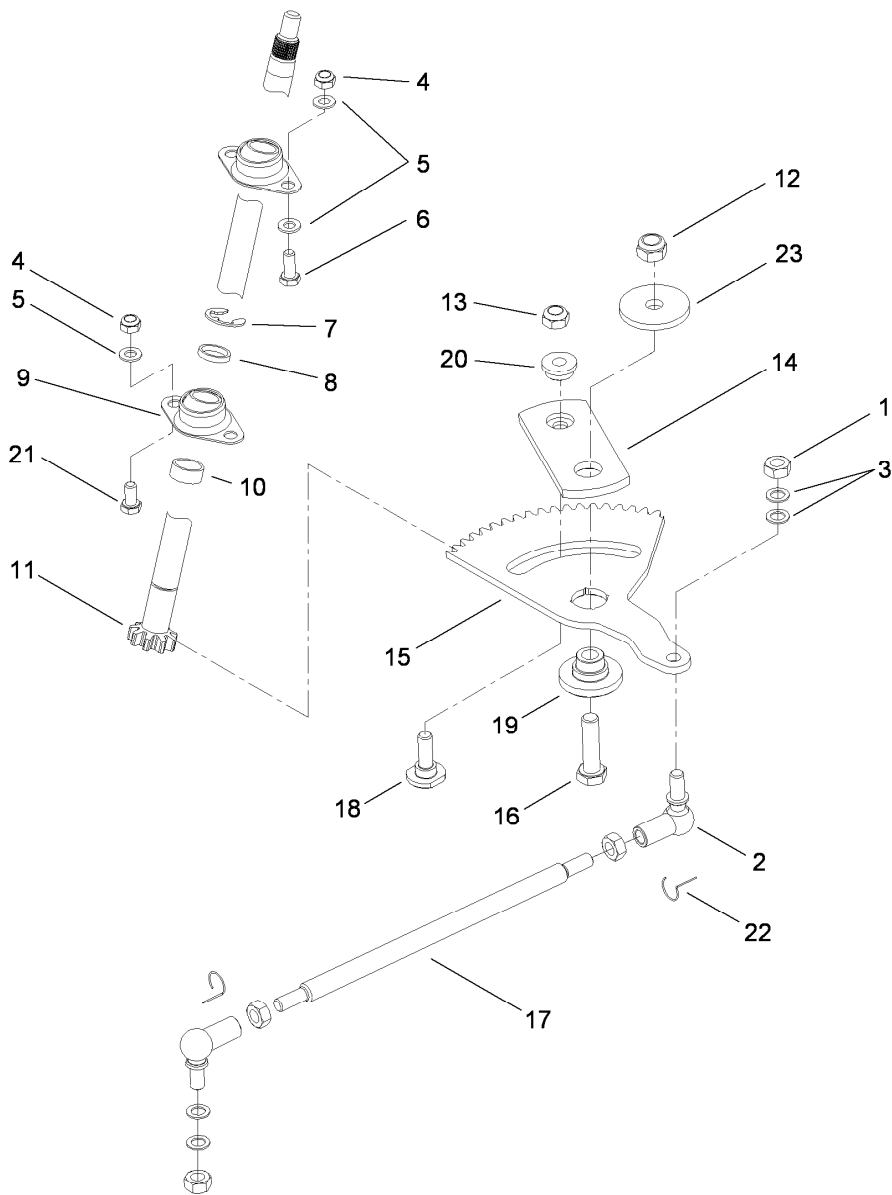
Frame Assembly (continued)

<i>Ref.</i>	<i>Part Number</i>	<i>Qty.</i>	<i>Description</i>	<i>Ref.</i>	<i>Part Number</i>	<i>Qty.</i>	<i>Description</i>
46	60-6910	6	Screw	55	110-8697	1	Cap-Fuel
47	104-3239	1	Decal-HOC, LH	56	110-8684	1	Bracket-Fuel, Tank
48	104-3240	1	Decal-HOC, RH	62	110-8690	2	Strip-Rubber, Fuel Tank
49	106-8552	1	Decal-Operation	64	107-8950	1	Grommet
50	107-8974	2	Decal-Tower	65	110-8683	1	Grommet
52	107-8924	2	Shim-Seat	68	33114-030	2	Screw-HH
53	110-8689	1	Tank-Fuel	69	119-2730	1	Decal-Danger, Tractor
54	110-8691	1	Protector-Neck, Filler				



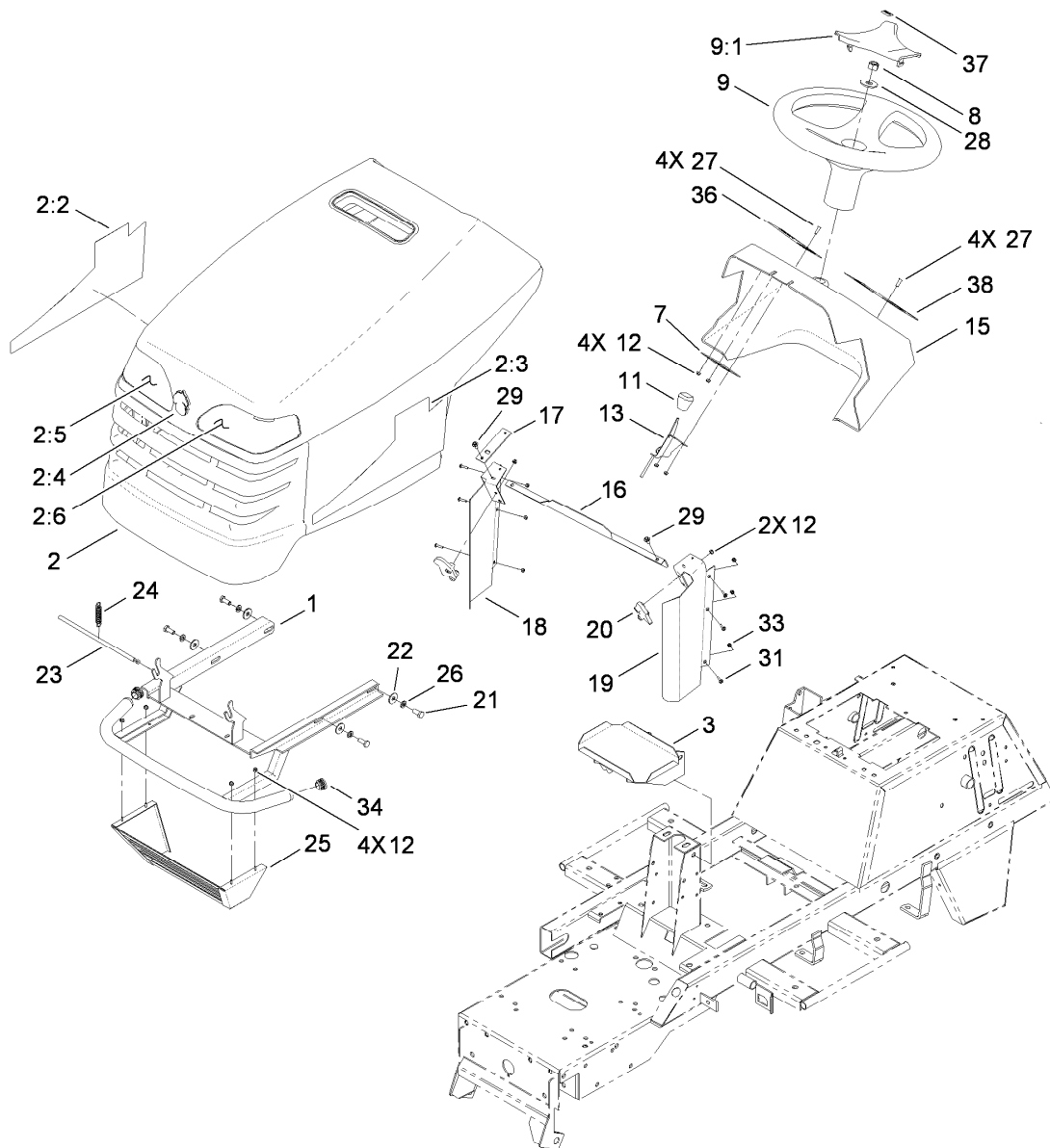
Front Axle Assembly

Ref.	Part Number	Qty.	Description	Ref.	Part Number	Qty.	Description
1	33116-090	1	Screw-HH	17	107-8998	2	Retainer-Cap, Hub
2	33115-080	2	Screw-HH	18	108-8776	1	Spindle-LH
3	107-8949	2	Spacer	19	33113-045	1	Screw-HH
4	104-2904	3	Fitting-Grease	20	104-2862	1	Lever-Spindle, Steering
5	104-2905	4	Washer-Flat	21	33025-00	6	Nut-Lock
6	104-2891	2	Clip-Spring	22	107-8926	1	RH Spindle ASM
7	104-2852	1	Axle-Front	23	106-5757	4	Washer
8	104-2906	2	Washer-Flat	24	110-9087	2	Wheel And Tire ASM
10	104-2890	2	Bushing-Axle, Front	24:1	110-9088	1	Wheel ASM
11	104-2907	1	Nut-Locking, Self	24:1:2	106-8596	1	Valve-Tire
12	104-2855	1	Rod-Tie, Front Axle	24:1:3	110513	2	Bearing-Wheel
13	104-2856	1	Key-Woodruff	24:2	99-2988	1	Tire
14	33023-00	1	Nut-Lock	25	104-2876	2	Joint-Ball, Angle
15	104-2857	2	Cap-Hub	99	232-39	1	Tube-Inner
16	104-2891	2	Clip-Spring				



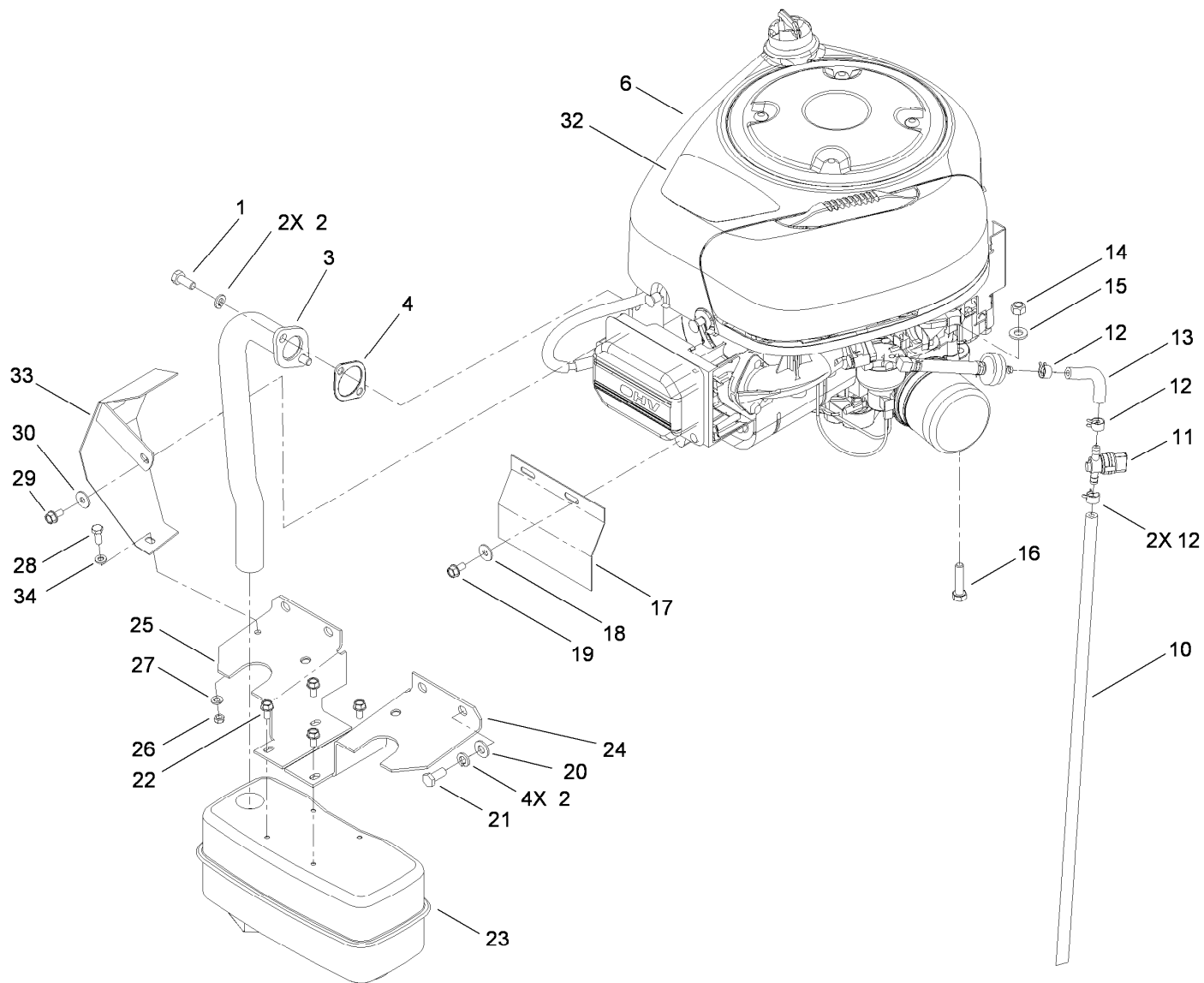
Steering Assembly

<i>Ref.</i>	<i>Part Number</i>	<i>Qty.</i>	<i>Description</i>	<i>Ref.</i>	<i>Part Number</i>	<i>Qty.</i>	<i>Description</i>
1	33025-00	4	Nut-Lock	13	33025-00	1	Nut-Lock
2	104-2876	2	Joint-Ball, Angle	14	105-1238	1	Plate-Steering
3	106-5757	4	Washer	15	104-2883	1	Gear-Sector
4	33024-00	4	Nut-Lock	16	104-2910	1	Screw-Hex
5	33094-00	6	Washer-Plain	17	104-2886	1	Link-Drag
6	33114-020	2	Screw-HH	18	105-1239	1	Bolt-Shoulder
7	104-2891	1	Clip-Spring	19	105-1240	1	Pivot-Steering
8	104-2877	1	Spacer-Upper	20	105-1241	1	Bushing
9	104-2878	2	Bearing-Spherical	21	33114-016	2	Screw-HH
10	104-2879	1	Spacer-Lower	22	104-2865	2	Stirrups-Locking
11	106-5773	1	Shaft-Steering	23	108-8892	1	Washer
12	33026-00	1	Nut-Lock				



Hood Assembly

Ref.	Part Number	Qty.	Description	Ref.	Part Number	Qty.	Description
1	107-2216	1	Support-Bumper	19	104-2973	1	Panel-Left
2	107-8986	1	Hood-Assembly	20	92-6960	2	Latch-Hood
2:2	107-8913	1	Decal-Hood, RH	21	33114-020	4	Screw-HH
2:3	107-8902	1	Decal-Hood, LH	22	104-2946	4	Washer-Plain
2:4	95-4248	1	Emblem	23	104-2974	1	Bar-Safety
2:5	107-8983	1	Lens-Headlamp, RH	24	104-2975	1	Spring-Hood
2:6	107-8984	1	Lens-Headlamp, LH	25	107-2218	1	Guard-Muffler
3	110-8679	1	Tray-Battery	26	3253-4	4	Washer-Lock
7	104-2962	1	Brace	27	106-5759	4	Screw
8	33026-00	1	Nut-Lock	28	106-5758	1	Washer
9	98-1471	1	Wheel-Steering	29	104-2980	2	Screw
9:1	98-1468	1	Cover-Wheel, Steering	31	107-8918	6	Screw
11	66-0120	1	Knob	33	104-2985	6	Nut-Hex
12	87-5140	10	Nut-Lock	34	107-8943	2	Plug-End, Tube
13	106-4166	1	Cable-Throttle And Choke	36	107-8920	1	Decal-Dash Throttle And Ignition
15	104-2968	1	Panel-Dash	37	98-1459	1	Decal
16	114-3132	1	Brace	38	104-3235	1	Decal-PTO
17	104-2971	1	Bracket				
18	104-2972	1	Panel-Right				

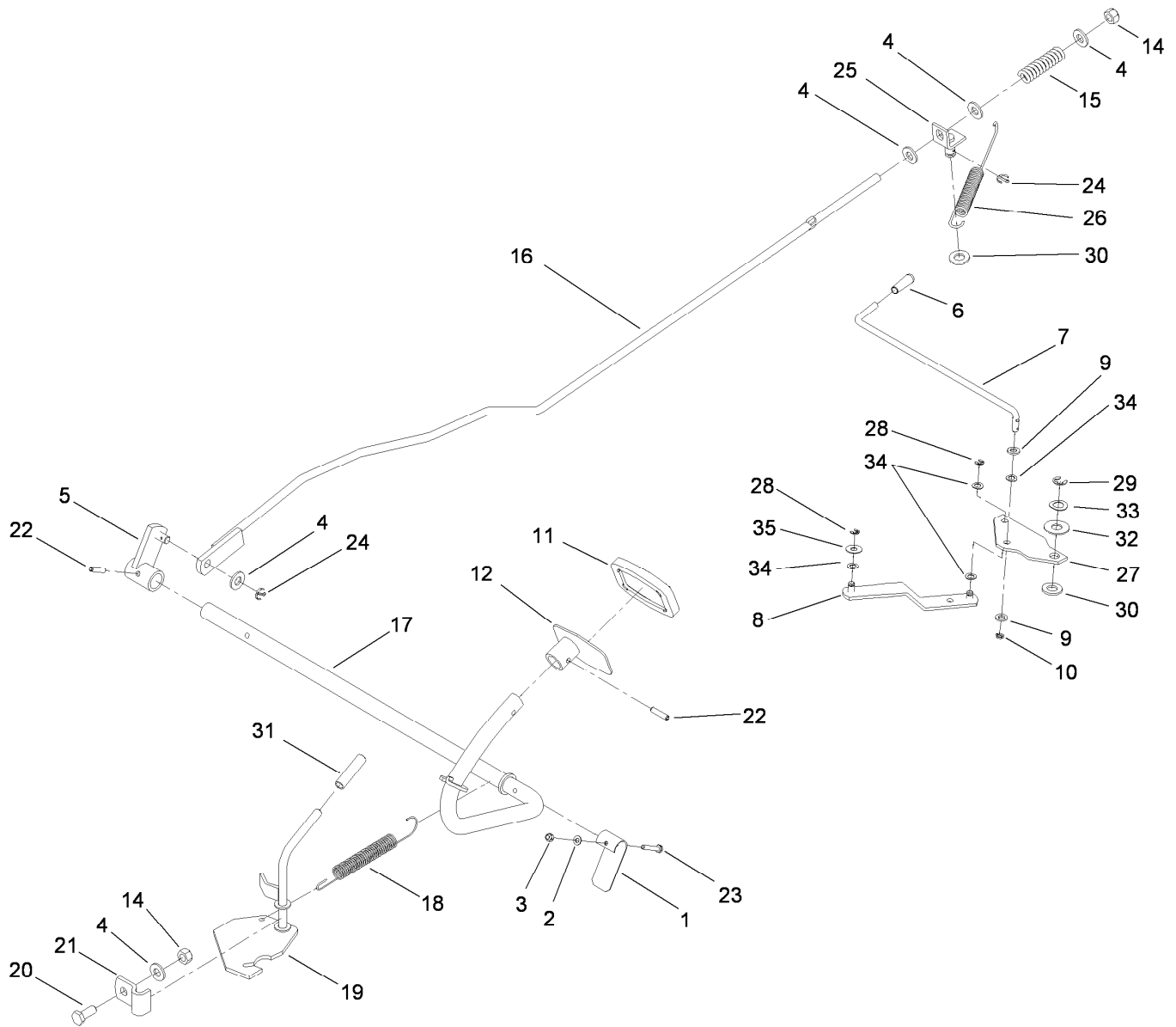


Engine Assembly

Ref.	Part Number	Qty.	Description	Ref.	Part Number	Qty.	Description
1	322-3	2	Screw-HH	19	106-5763	2	Screw
2	42-9850	6	Washer-Lock, Spring	20	33094-00	4	Washer-Plain
3	104-3221	1	Tube-Exhaust	21	33114-020	4	Screw-HH
4	88-4410	1	Gasket-Exhaust	22	106-5763	4	Screw
6		1	Engine-Briggs & Stratton, 31A6070117B1 ●■	23	104-3229	1	Muffer
10	110-8692	1	Line-Fuel	24	104-3214	1	Guard-Muffler, LH
11	104-3224	1	Valve-Tank, Fuel	25	104-3215	1	Guard-Muffler, RH
12	104-3212	4	Clamp-Line, Fuel	26	33013-00	1	Nut-Hex
13	104-3213	1	Line-Fuel	27	104-3186	1	Washer-Spring
14	33024-00	4	Nut-Lock	28	33113-016	1	Screw-HH
15	33094-00	4	Washer-Plain	29	106-5763	1	Screw
16	33114-035	4	Screw-HH	30	104-2931	1	Washer-Flat
17	104-3222	1	Cover-Front	32	107-4924	1	Decal-Engine, I/C
18	104-2931	2	Washer-Flat	33	105-1242	1	Cover-Manifold, Exhaust
				34	33093-00	1	Washer-Flat

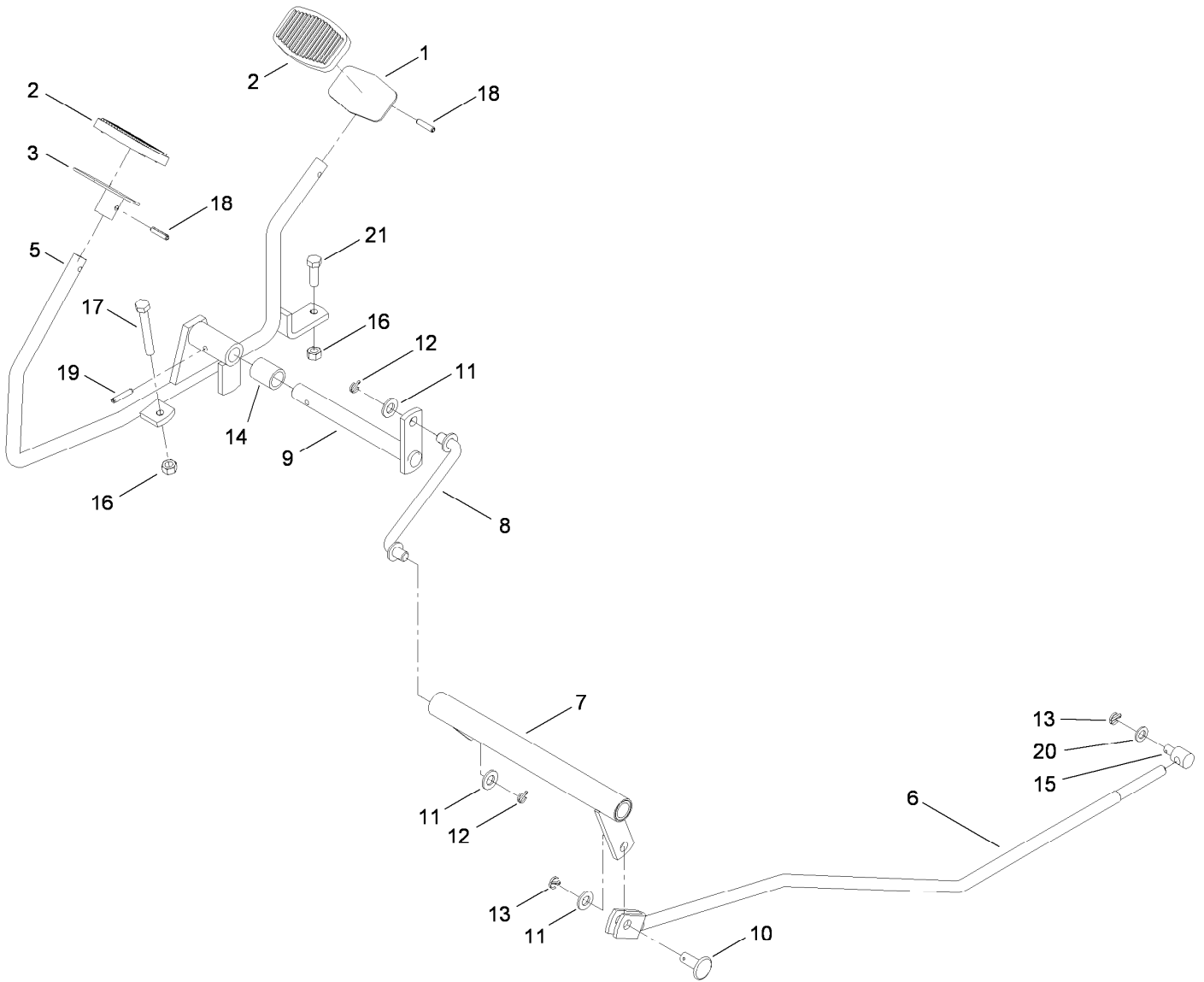
● Not serviced separately

■ Obtain parts from www.briggsandstratton.com



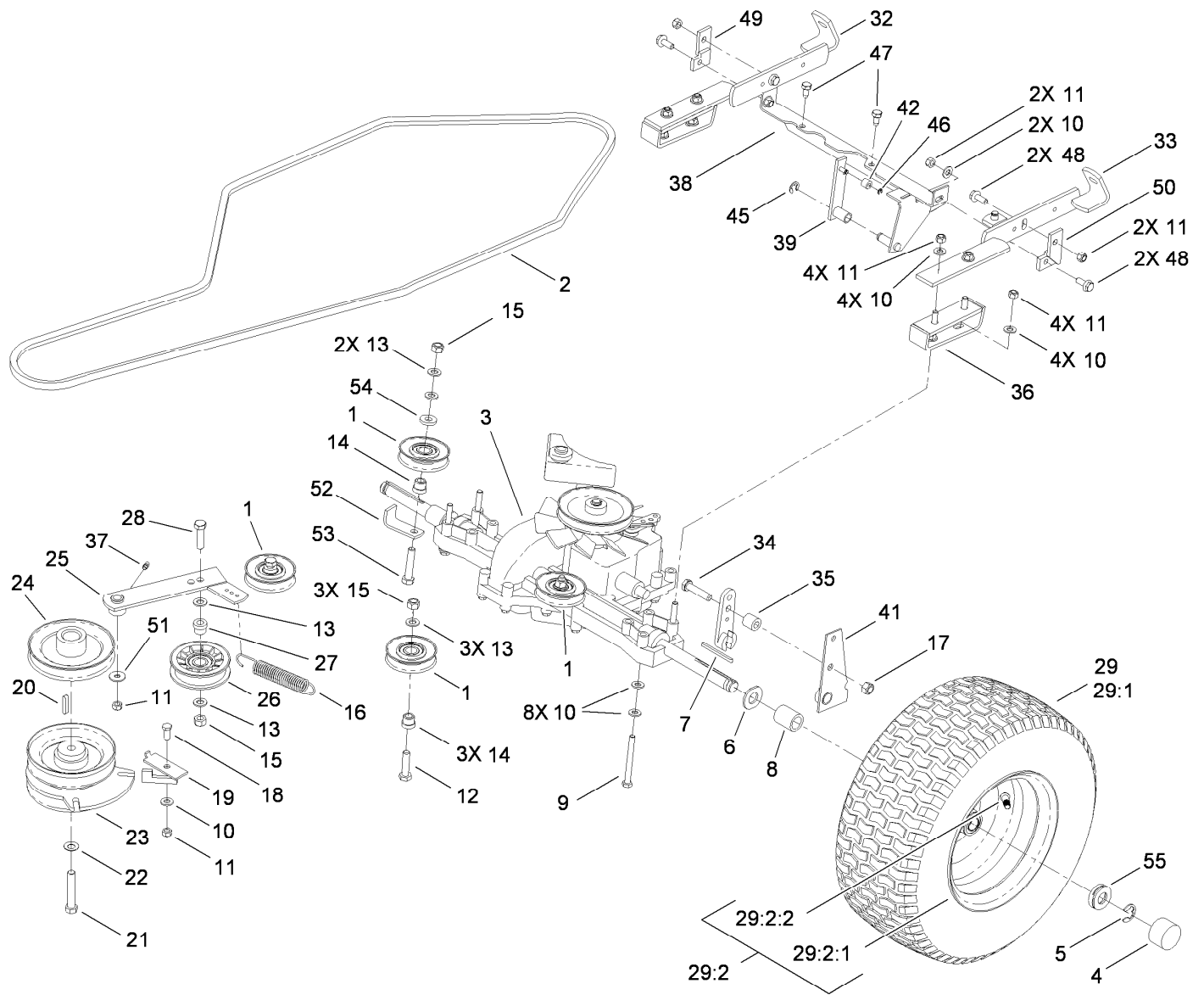
Operation - Brake and Bypass Assembly

Ref.	Part Number	Qty.	Description	Ref.	Part Number	Qty.	Description
1	104-2992	1	Lever-Spring	19	104-3006	1	Lever-Brake, Hand
2	104-2984	1	Washer	20	33114-020	1	Screw-HH
3	104-2985	1	Nut-Hex	21	104-3007	1	Clamp-Lever, Parking Brake
4	33094-00	5	Washer-Plain	22	104-3008	2	Pin-Spring
5	104-2993	1	Bracket-Rod, Brake	23	104-3009	1	Screw-Hex
6	108-8708	1	Cap-Bypass Lever, Hydro	24	104-3016	2	Pin-Cotter
7	104-2995	1	Rod-Lever, Bypass	25	104-3011	1	Bracket-Rod, Brake
8	107-8944	1	Lever-Bypass	26	104-3012	1	Spring
9	104-3193	2	Washer	27	104-3323	1	Plate-Bypass
10	104-2997	1	Pin-Cotter	28	104-3014	2	Stirrup
11	104-3018	1	Pad-Pedal	29	104-3015	1	Stirrup
12	114-3246	1	Pedal-Brake	30	33095-00	2	Washer-Flat
14	33024-00	2	Nut-Lock	31	104-3247	1	Cap
15	104-3002	1	Spring-Brake	32	106-5768	1	Washer
16	104-3003	1	Rod-Connecting, Brake	33	106-5769	1	Washer
17	104-3004	1	Shaft-Brake	34	106-5770	4	Washer
18	104-3005	1	Spring-Brake, Hand	35	106-5771	1	Washer



Operation - Travel Pedal Assembly

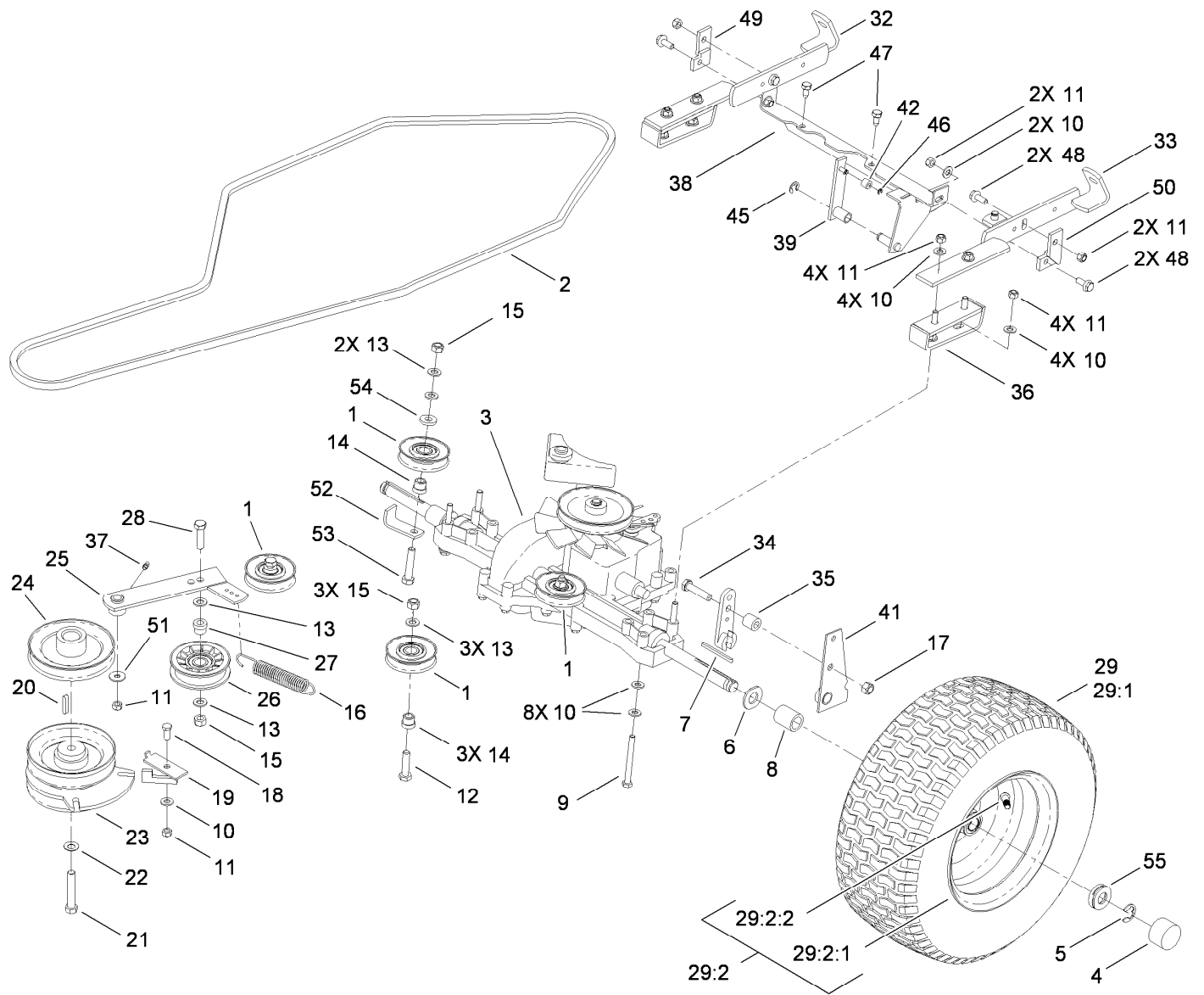
<i>Ref.</i>	<i>Part Number</i>	<i>Qty.</i>	<i>Description</i>	<i>Ref.</i>	<i>Part Number</i>	<i>Qty.</i>	<i>Description</i>
1	104-3017	1	Pedal-Rear, Travel	12	104-3016	2	Pin-Cotter
2	104-3018	2	Pad-Pedal	13	104-3027	2	Pin-Cotter
3	114-3248	1	Pedal-Travel, Forward	14	104-3028	1	Spacer
5	104-3021	1	Rod-Travel	15	104-3029	1	Pin
6	104-3022	1	Rod-Tie	16	33014-00	2	Nut-Hex
7	104-3023	1	Shaft-Diagonal	17	33114-060	1	Screw-HH
8	104-3024	1	Link-Formed	18	104-3008	2	Pin-Spring
9	104-3025	1	Shaft-Diagonal	19	104-3030	1	Pin-Spring
10	104-3026	1	Pin	20	104-3031	1	Washer
11	33095-00	3	Washer-Flat	21	33114-025	1	Screw-HH



Transmission Drive Assembly

Ref.	Part Number	Qty.	Description	Ref.	Part Number	Qty.	Description
1	104-2887	4	Pully-Idler	20	104-2899	1	Key-Square
2	104-2888	1	V-Belt-Traction	21	3212-10	1	Screw-HH
3	114-3155	1	Transmission	22	93-9043	1	Washer-Spring, Belleville
4	104-2857	2	Cap-Hub	23	104-3334	1	Clutch-Electric
5	104-2891	2	Clip-Spring	24	104-2911	1	Pulley-Engine
6	104-3206	2	Washer	25	104-2912	1	Arm-Idler
7	104-2892	2	Key-Square	26	104-2913	1	Pulley-Idler
8	104-2895	2	Spacer-Axle	27	104-2896	1	Bushing-Idler
9	33114-080	4	Screw-HH	28	33115-040	1	Screw-HH
10	33094-00	19	Washer-Plain	29		2	Wheel And Tire ASM ●
11	33024-00	14	Nut-Lock	29:1	99-2996	1	Tire
12	33115-040	3	Screw-HH	29:2	107-8928	1	Wheel ASM
13	33095-00	7	Washer-Flat	29:2:1		1	Rim (18X9.5X8) ●
14	104-2896	4	Bushing-Idler	29:2:2	106-8596	1	Valve-Tire
15	33025-00	5	Nut-Lock	32	106-8594	1	Bracket-Right
16	104-2897	1	Spring	33	106-8593	1	Bracket-Left
17	33025-00	1	Nut-Lock	34	33115-045	1	Screw-HH
18	33114-020	1	Screw-HH	35	104-2925	1	Sleeve
19	104-2898	1	Retainer	36	107-8947	2	Bracket-Support

● Not serviced separately

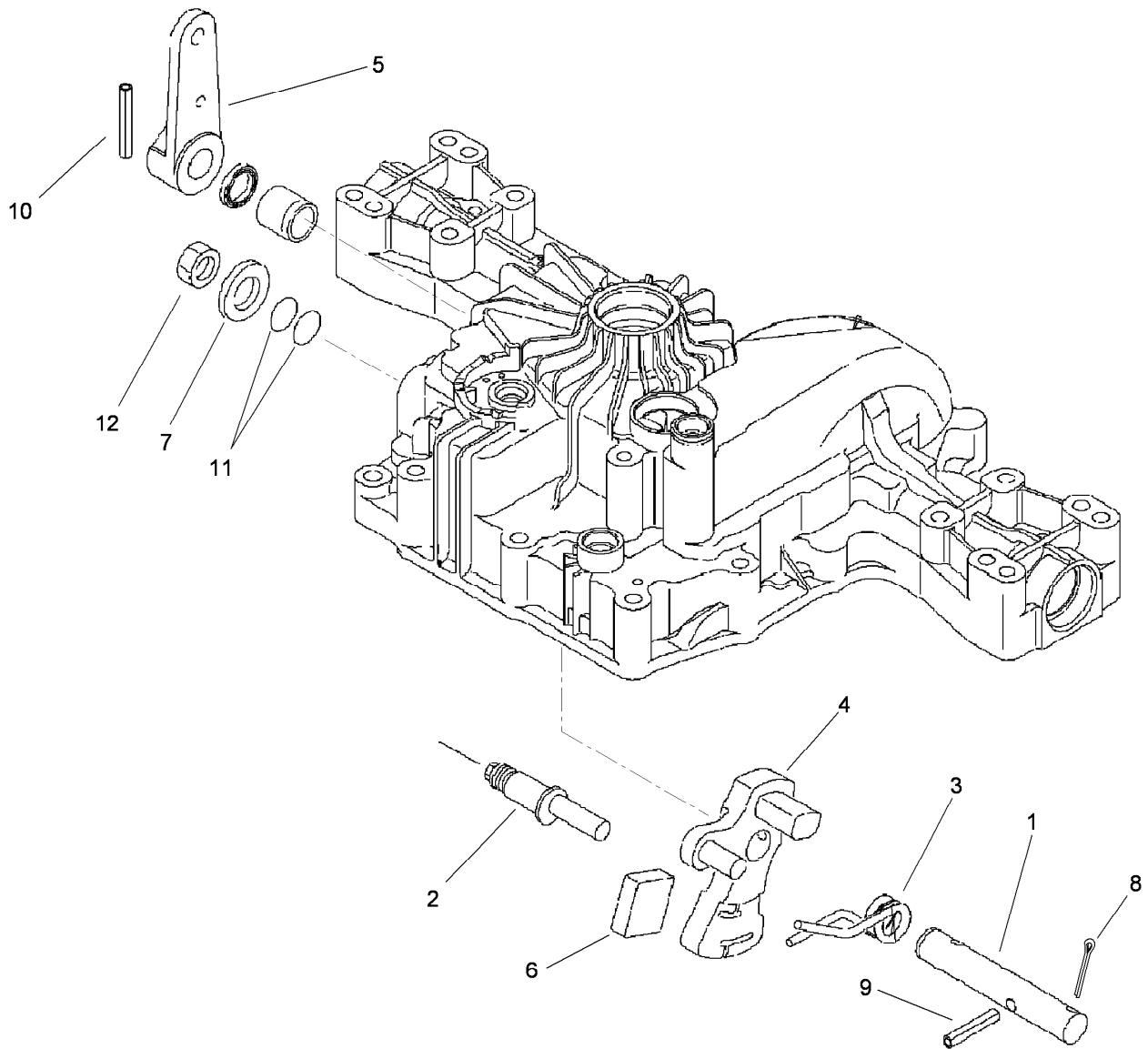


Transmission Drive Assembly (continued)

Ref.	Part Number	Qty.	Description
37	104-2904	1	Fitting-Grease
38	104-3327	1	Bar ASM
39	104-3328	1	Arm-Switch
41	104-3326	1	Tenon
42	104-3329	1	Roller
45	104-3341	1	Stirrup
46	104-3014	1	Stirrup
47	104-3344	2	Screw-Thread Forming

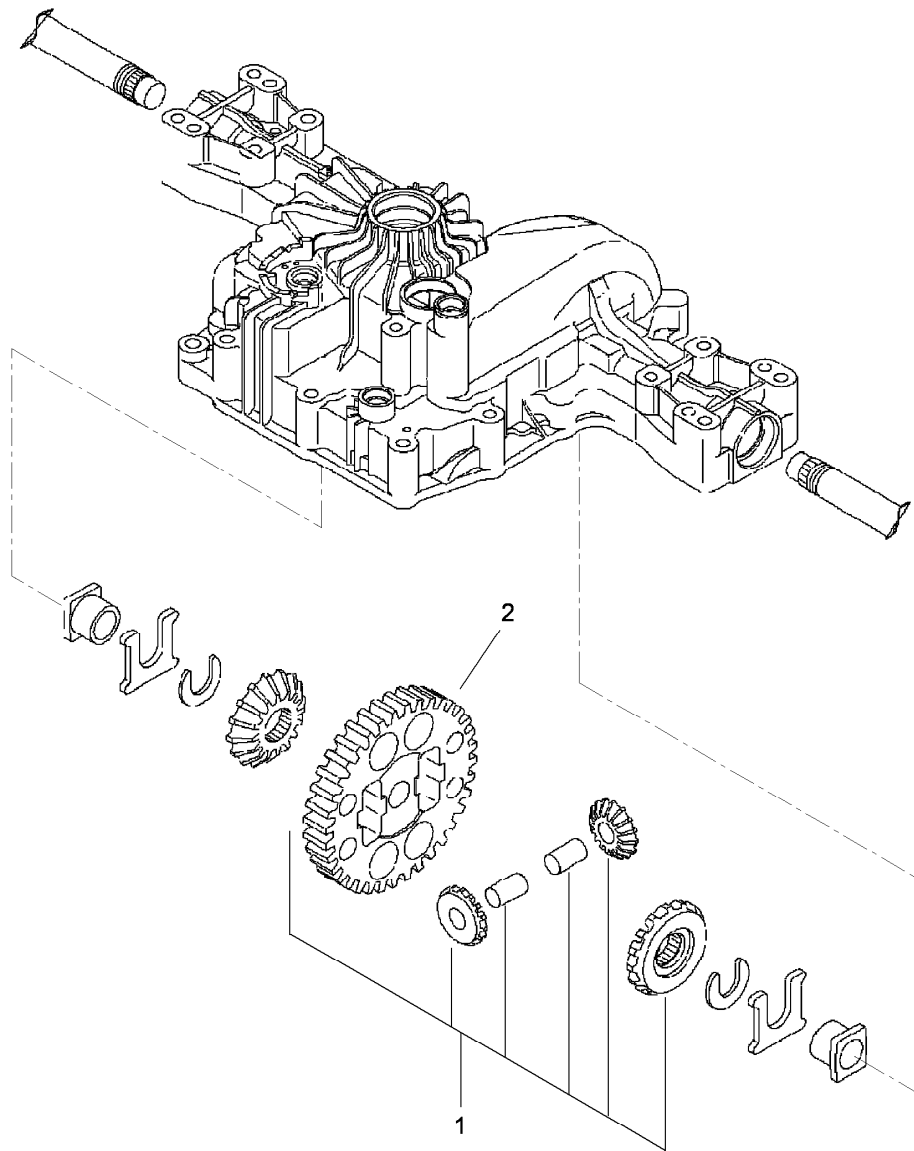
Ref.	Part Number	Qty.	Description
48	104-3065	4	Screw-Hex
49	107-8945	1	Bracket-Right
50	107-8946	1	Bracket-Left
51	104-2946	2	Washer-Plain
52	108-8732	1	Retainer-Belt
53	33115-050	1	Screw-HH
54	108-8709	1	Washer-Flat
55	107-8998	2	Retainer-Cap, Hub

● Not serviced separately



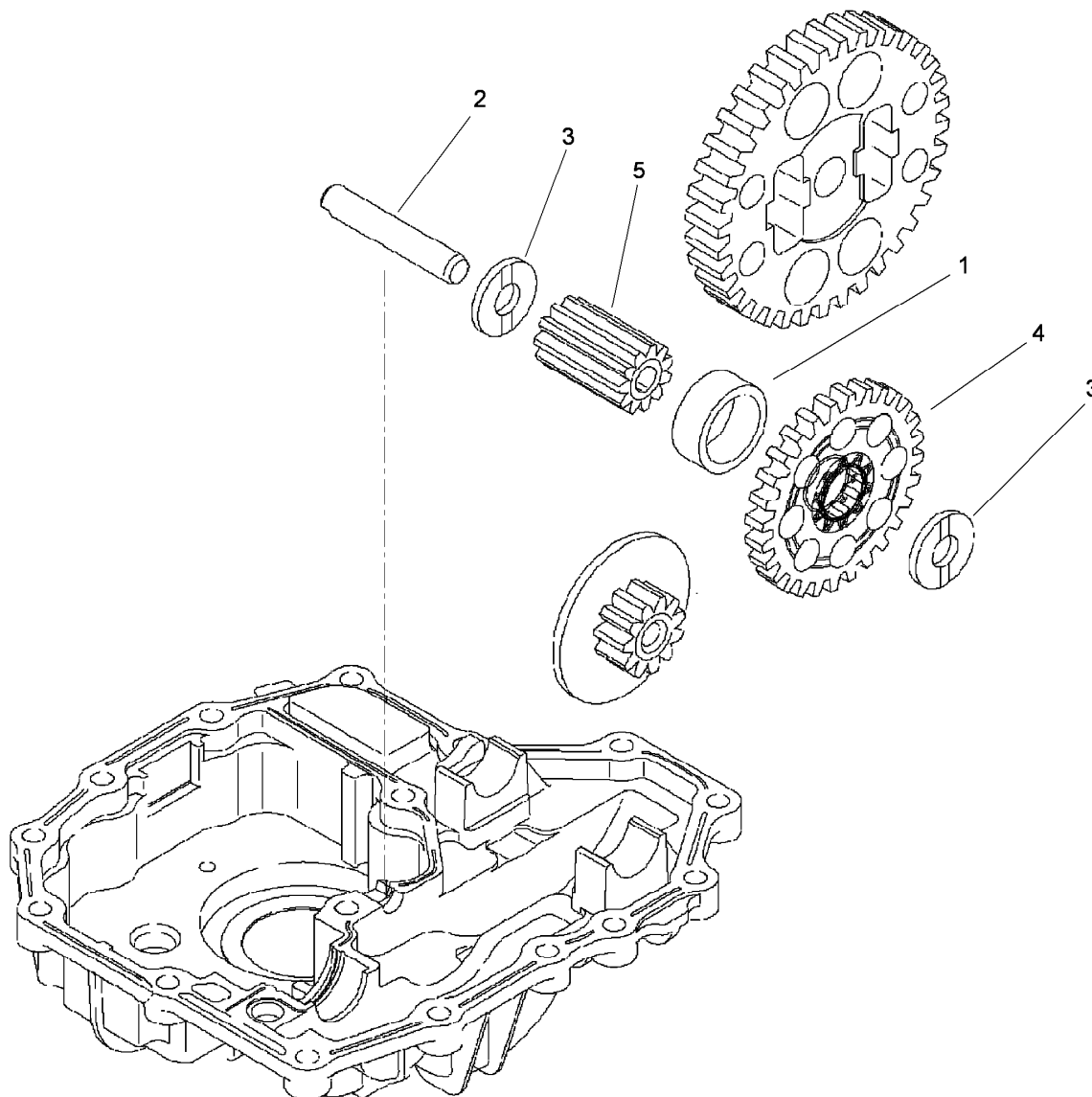
Control Shaft Assembly Transmission Assembly No. 114-3155

<i>Ref.</i>	<i>Part Number</i>	<i>Qty.</i>	<i>Description</i>
1	114-3181	1	Shaft-Control
2	104-3292	1	Fulcrum-Eccentricity
3	114-3217	1	Spring-Torsion
4	114-3180	1	Arm-Control
5	104-3342	1	Arm-Transaxle
6	104-3296	1	Plate-Jerky
7	93-0417	1	Washer
8	114-3182	1	Pin-Cotter
9	104-3297	1	Pin
10	93-0411	1	Pin-Roll
11	104-3298	2	Packing
12	93-0420	1	Nut



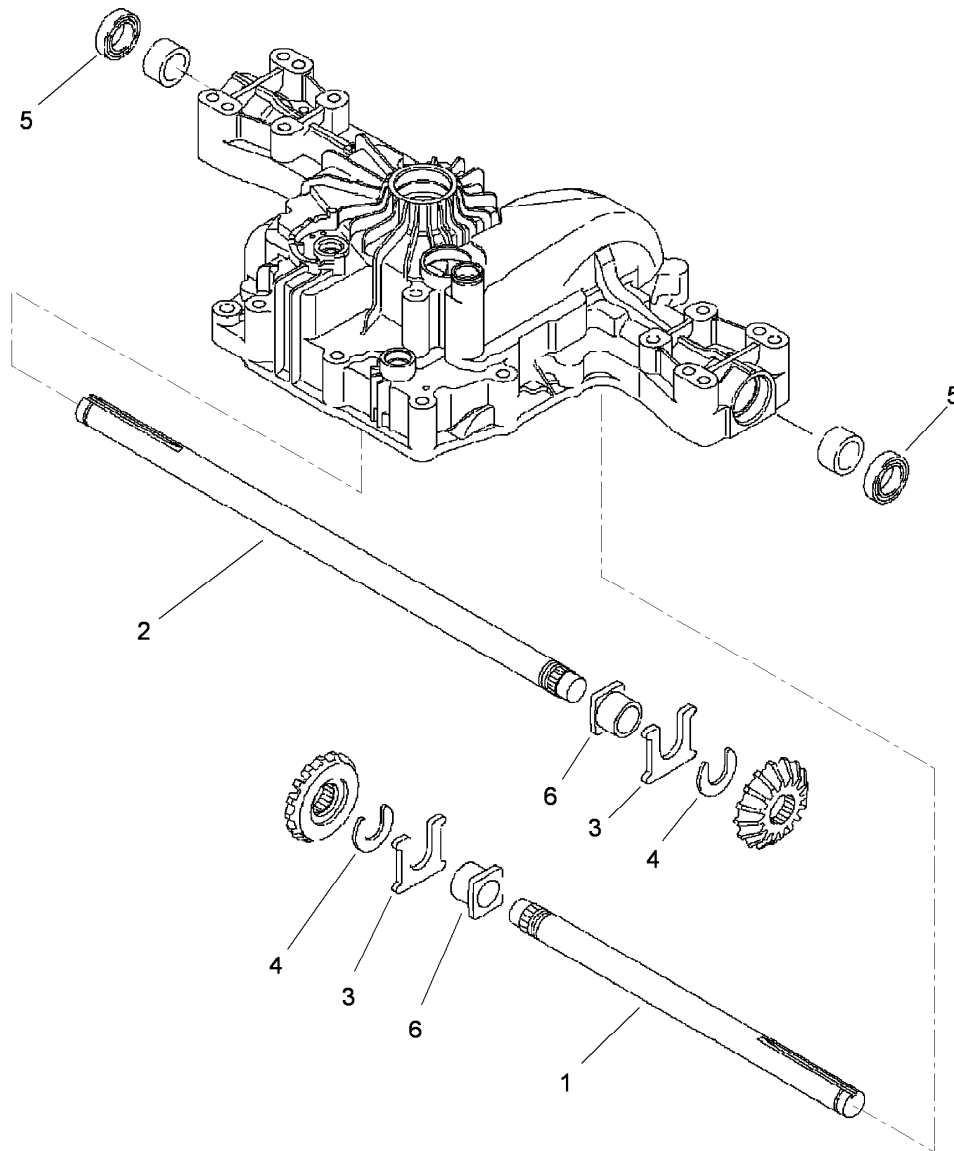
Differential Gear Assembly Transmission Assembly No. 114-3155

<i>Ref.</i>	<i>Part Number</i>	<i>Qty.</i>	<i>Description</i>
1	104-3299	1	Differential Gear Kit
2	104-3301	1	Gear-Final



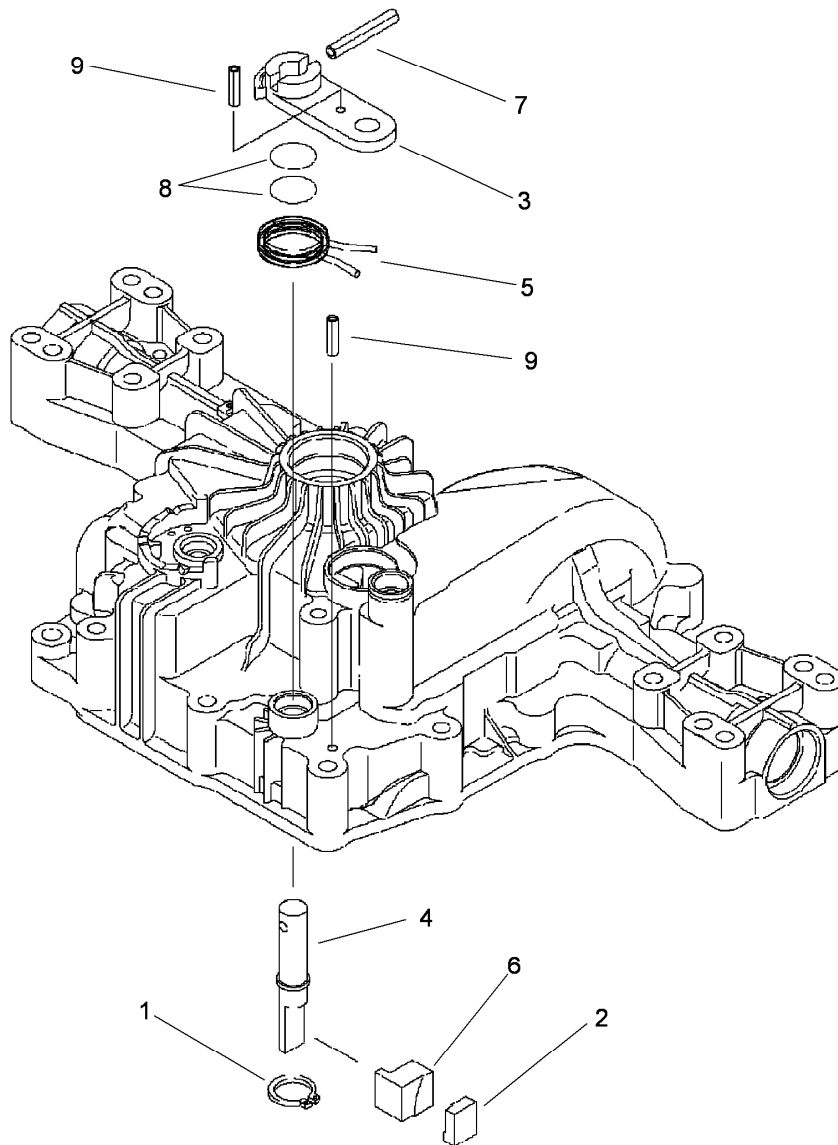
Final Pinion Assembly Transmission Assembly No. 114-3155

<i>Ref.</i>	<i>Part Number</i>	<i>Qty.</i>	<i>Description</i>
1	104-3302	1	Collar-Final Pinion
2	104-3303	1	Shaft-Reduction
3	104-3304	2	Washer
4	104-3305	1	Gear-Reduction
5	104-3306	1	Pinion-Final



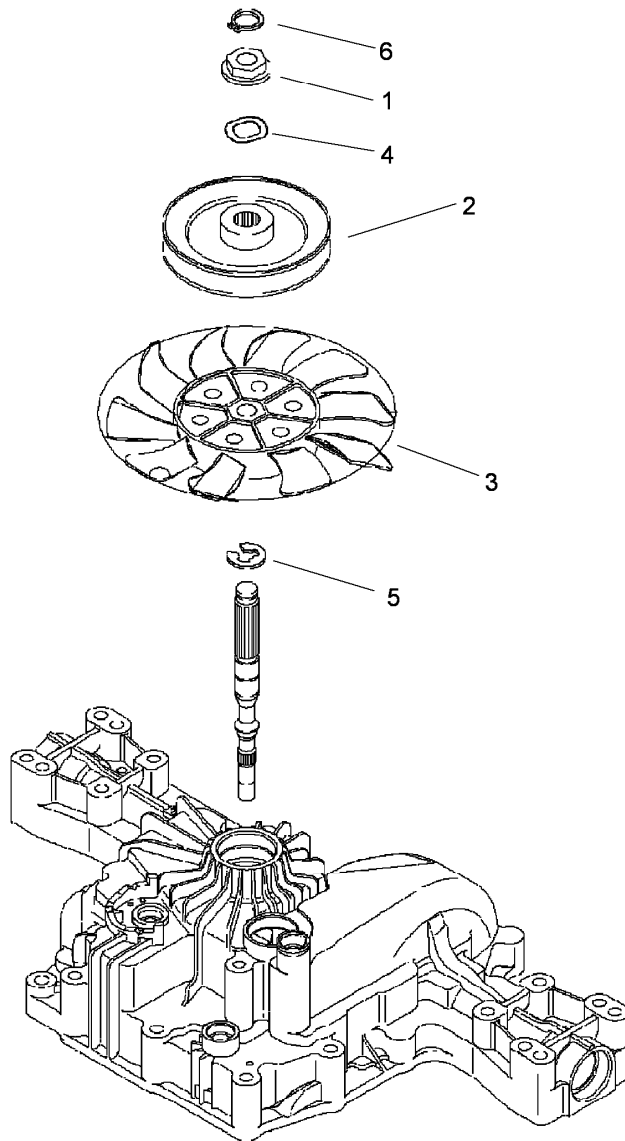
Axle Shaft Assembly Transmission Assembly No. 114-3155

<i>Ref.</i>	<i>Part Number</i>	<i>Qty.</i>	<i>Description</i>
1	104-3307	1	Shaft-Axle, LH
2	104-3308	1	Shaft-Axle, RH
3	104-3309	2	Washer-Thrust
4	104-3310	2	Ring
5	104-3311	2	Seal
6	104-3312	2	Bushing



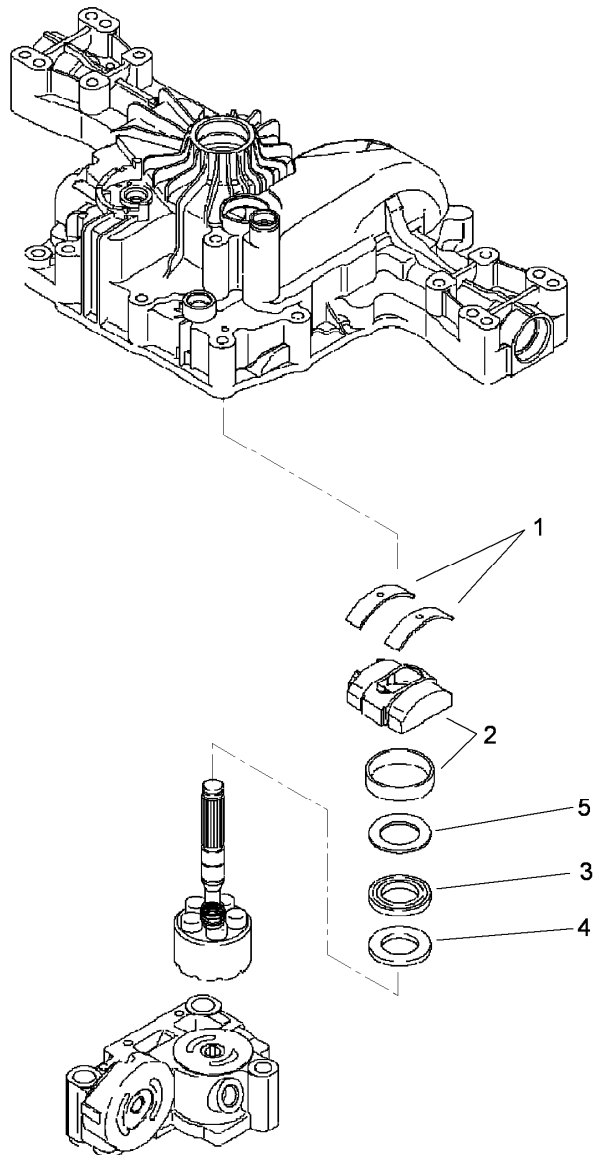
Brake Assembly Transmission Assembly No. 114-3155

<i>Ref.</i>	<i>Part Number</i>	<i>Qty.</i>	<i>Description</i>
1	104-3313	1	Ring
2	104-3314	1	Shoe-Brake
3	104-3315	1	Arm-Brake
4	104-3316	1	Shaft-Brake
5	104-3317	1	Spring-Return, Brake
6	104-3318	1	Actuator-Brake
7	92-0767	1	Pin
8	93-0418	2	O-Ring
9	104-3319	2	Pin



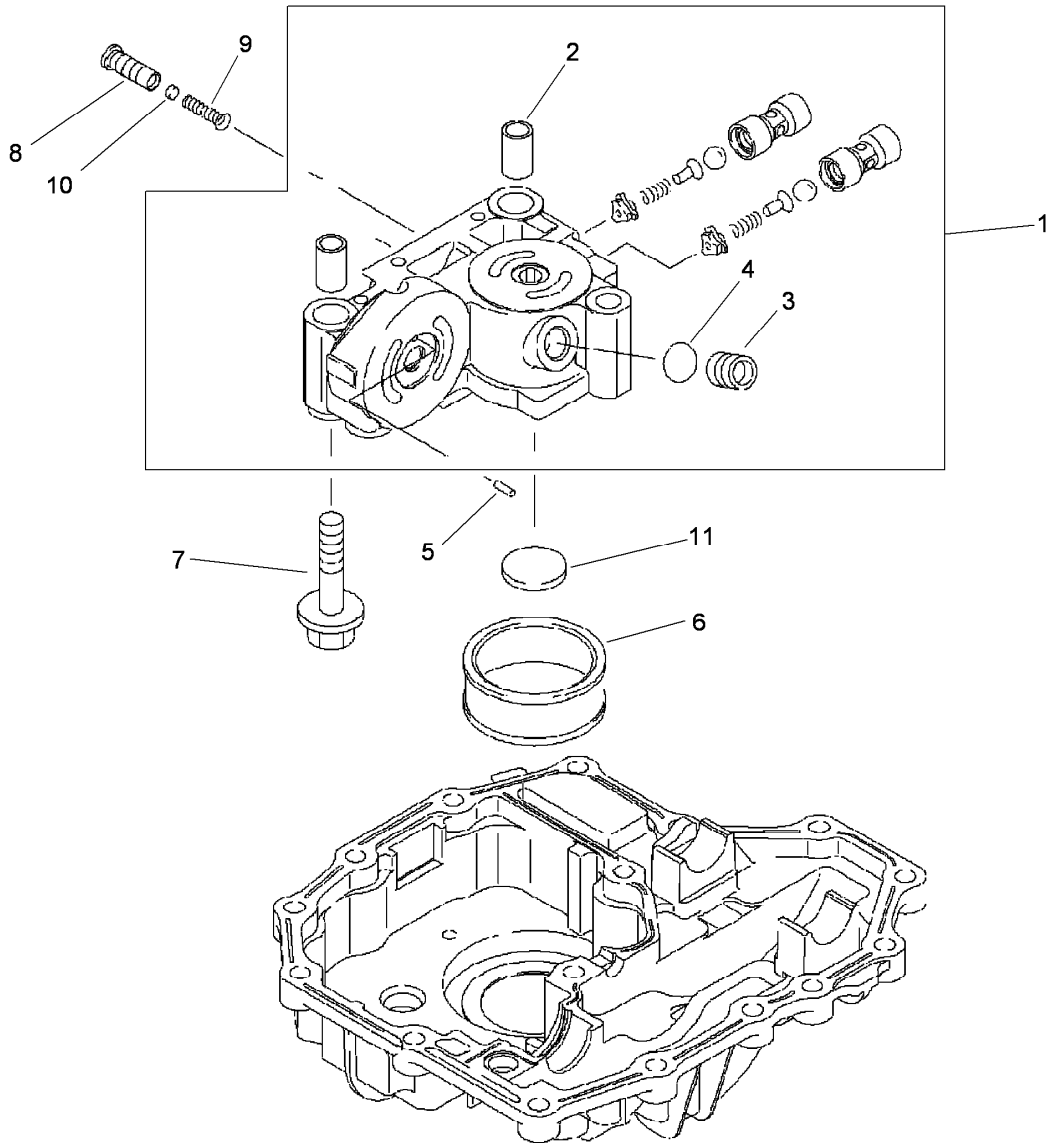
Fan Pulley Assembly Transmission Assembly No. 114-3155

<i>Ref.</i>	<i>Part Number</i>	<i>Qty.</i>	<i>Description</i>
1	104-3320	1	Collar-Spline
2	104-3197	1	Pulley-Transmission
3	104-3199	1	Fan- Transmission
4	104-3321	1	Washer-Lock
5	93-0387	1	E-Ring
6	104-3198	1	E-Ring



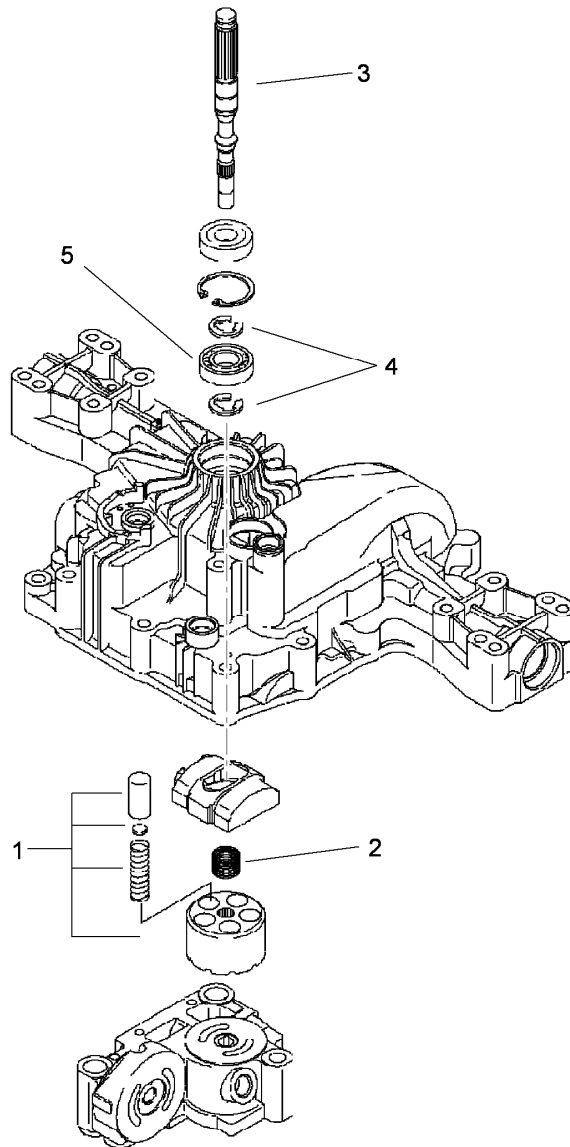
Range Shift Assembly Transmission Assembly No. 114-3155

<i>Ref.</i>	<i>Part Number</i>	<i>Qty.</i>	<i>Description</i>
1	104-3286	2	Metal-Thrust
2	104-3287	1	Plate-Swash
3	104-3288	1	Bearing
4	104-3289	1	Plate-Thrust, A
5	104-3290	1	Plate-Thrust, B



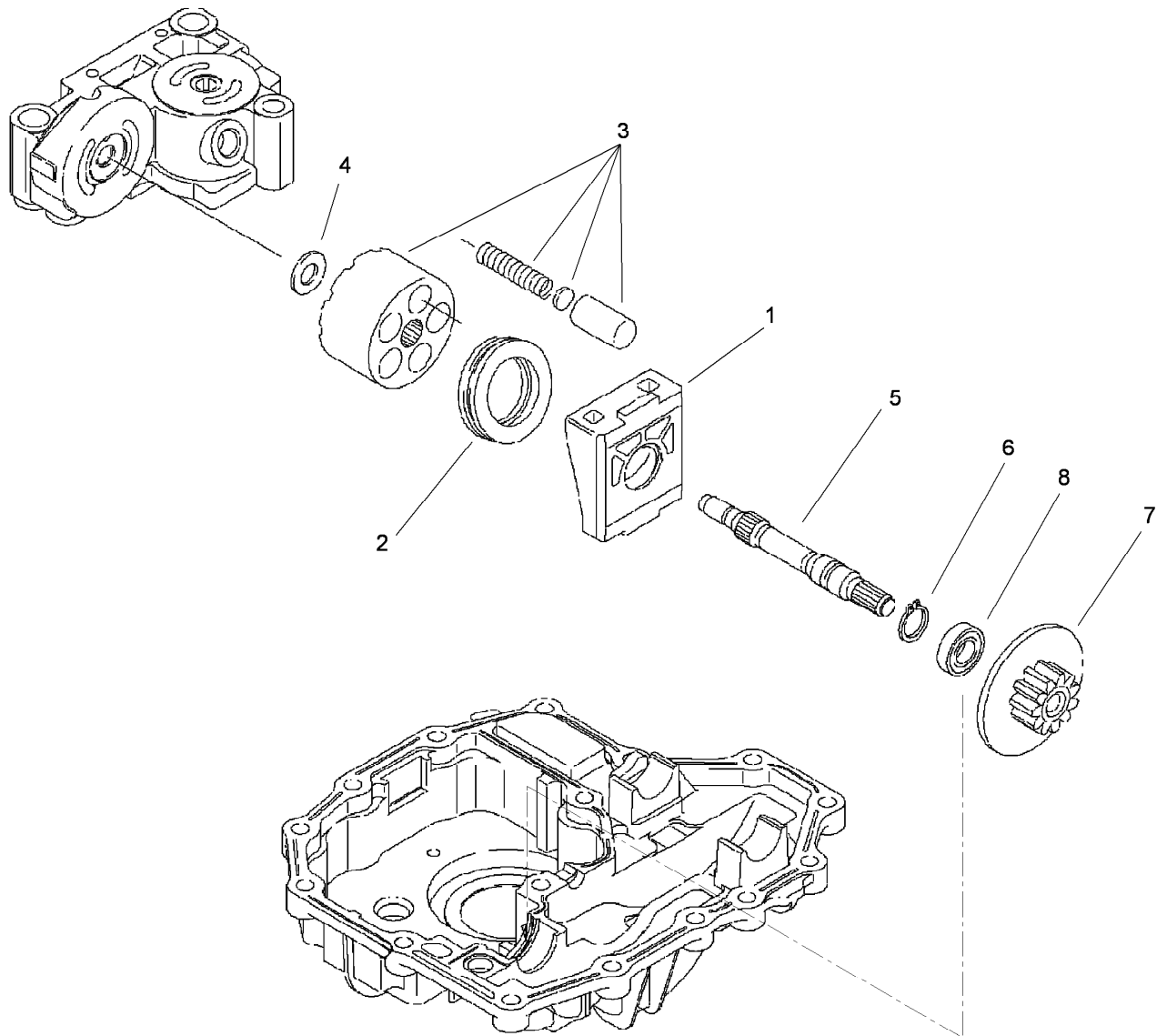
Center Case Assembly Transmission Assembly No. 114-3155

<i>Ref.</i>	<i>Part Number</i>	<i>Qty.</i>	<i>Description</i>
1	104-3267	1	Case-Center
2	104-3268	2	Pin-Knock
3	104-3269	1	Plug
4	93-0419	1	Packing
5	104-3270	1	Pin
6	104-3271	1	Filter
7	104-3272	3	Bolt
8	104-3273	2	Valve
9	104-3274	2	Spring
10	104-3275	2	Filter
11	104-3257	1	Magnet



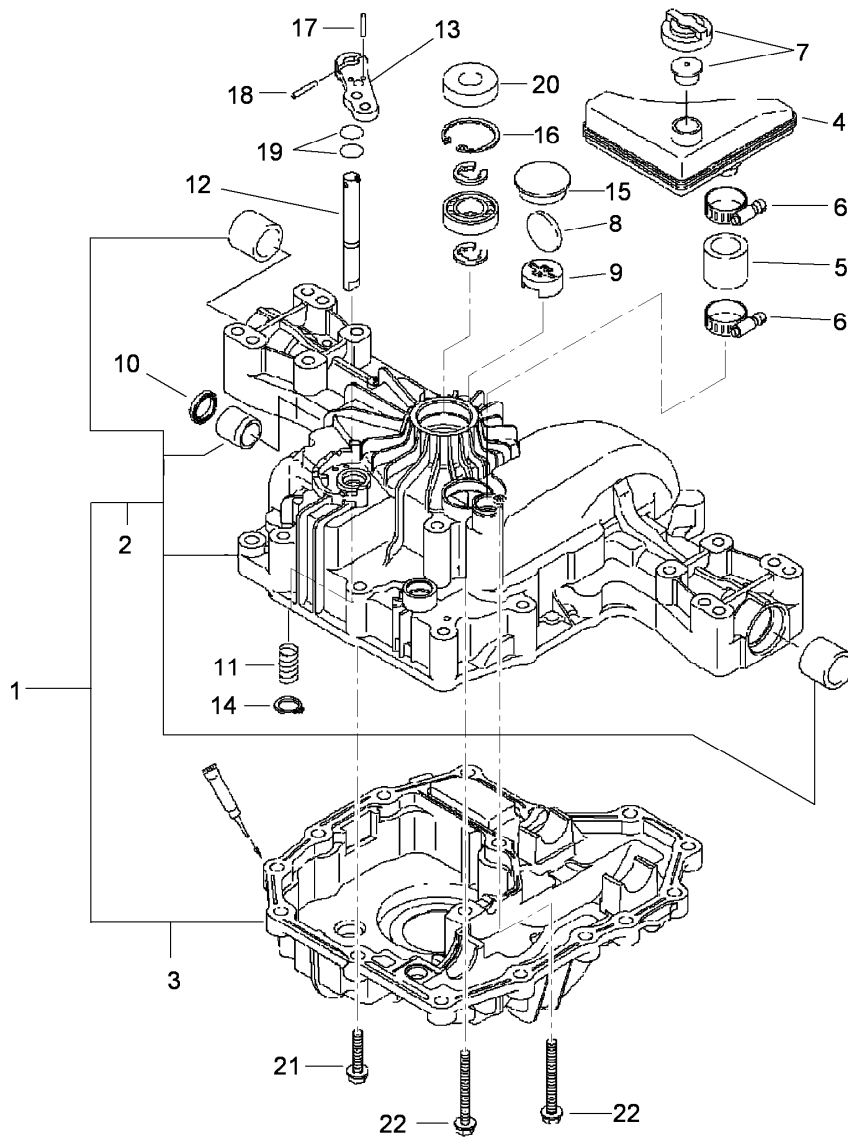
Pump Shaft Assembly Transmission Assembly No. 114-3155

<i>Ref.</i>	<i>Part Number</i>	<i>Qty.</i>	<i>Description</i>
1	104-3276	1	Block-Cylinder
2	104-3277	1	Spring-Pump
3	104-3278	1	Shaft-Pump
4	93-0387	2	E-Ring
5	93-0374	1	Bearing-Ball



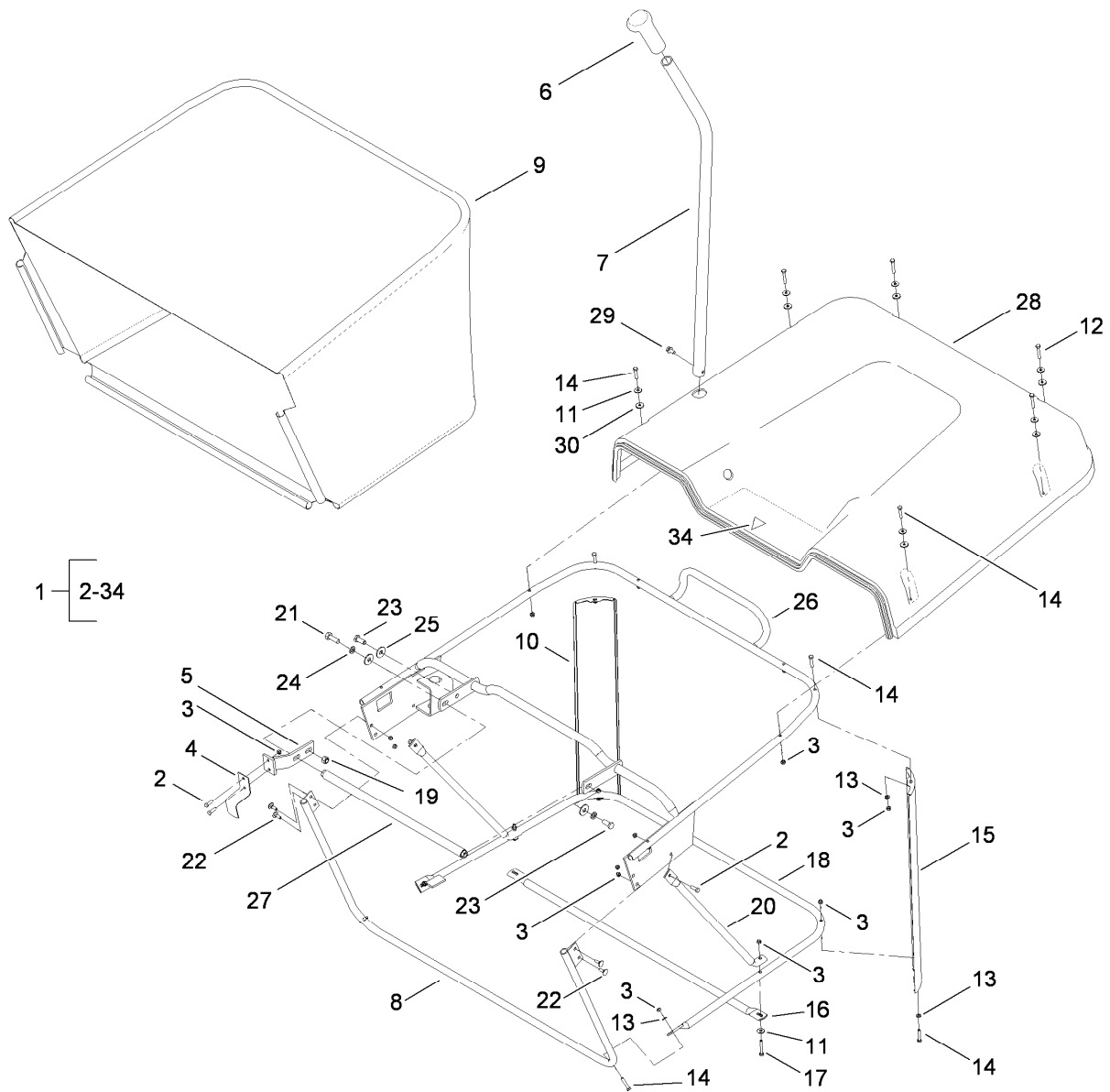
Motor Shaft Assembly Transmission Assembly No. 114-3155

<i>Ref.</i>	<i>Part Number</i>	<i>Qty.</i>	<i>Description</i>
1	104-3279	1	Housing
2	104-3280	1	Bearing
3	104-3281	1	Block-Cylinder
4	104-3282	1	Washer
5	104-3283	1	Shaft-Motor
6	93-0373	1	Ring-Snap
7	104-3284	1	Motor-Gear
8	104-3285	1	Bearing



Transaxle Case Assembly Transmission Assembly No. 114-3155

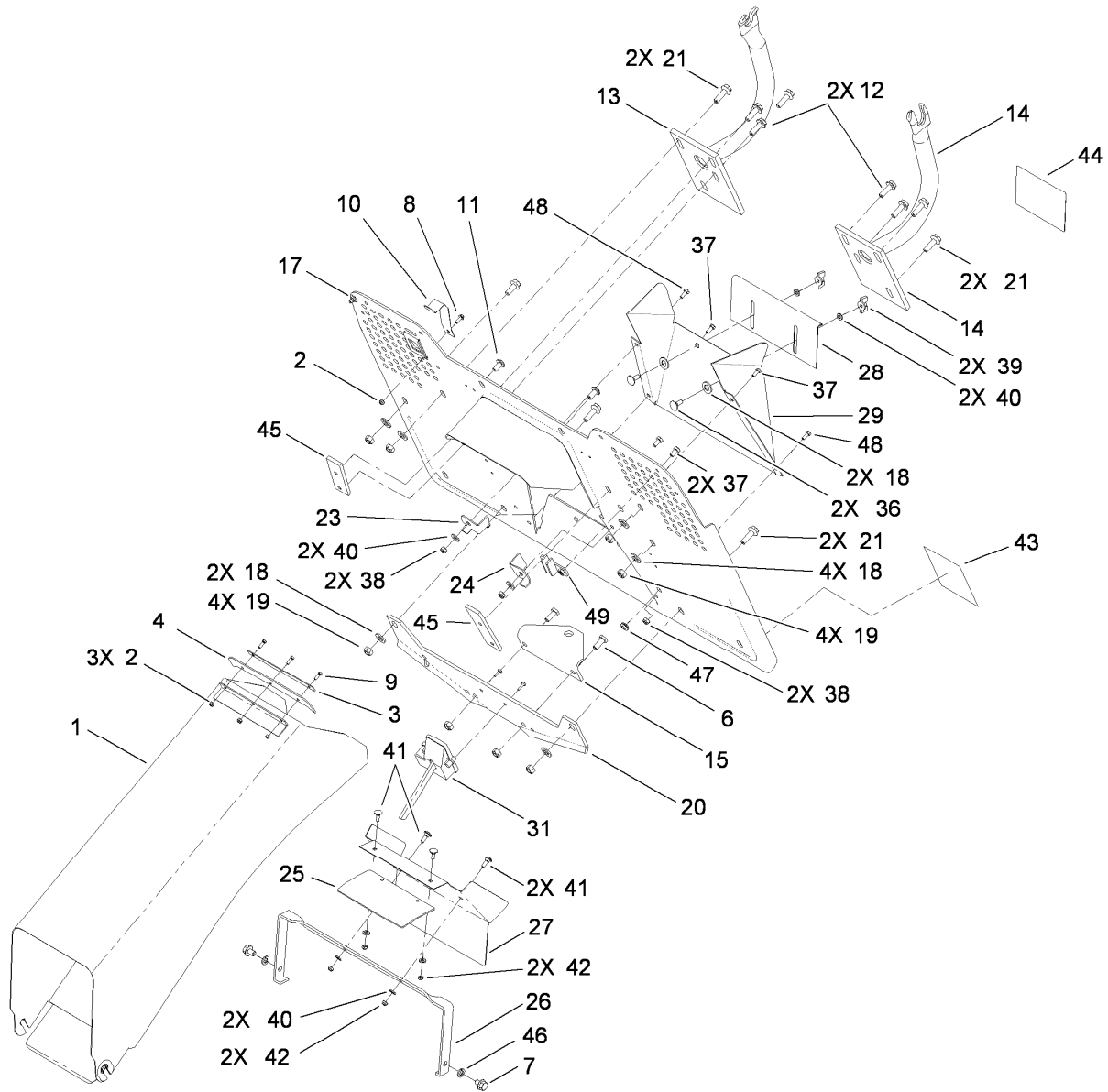
<i>Ref.</i>	<i>Part Number</i>	<i>Qty.</i>	<i>Description</i>	<i>Ref.</i>	<i>Part Number</i>	<i>Qty.</i>	<i>Description</i>
1	104-3251	1	Transaxle Case Set	12	104-3260	1	Shaft-Bypass
2	104-3252	1	Housing-Upper	13	104-3261	1	Lever-Bypass
3	104-3253	1	Housing-Lower	14	104-3262	1	Ring
4	104-2914	1	Tank-Reservoir, With Cap	15	104-3263	1	Plug-Bore
5	104-3254	1	Tube	16	93-0360	1	Ring
6	104-3255	2	Clamp-Miniature	17	104-3264	1	Pin
7	104-3256	1	Valve-Vent, 15	18	104-3265	1	Pin
8	104-3257	1	Magnet	19	93-0419	2	Packing
9	104-3258	1	Holder-Magnet	20	93-0361	1	Seal
10	104-3259	1	Seal-Oil	21	93-0363	14	Screw-TAP
11	93-0396	1	Spring	22	104-3266	2	Screw-Tap



Grass Collector Assembly

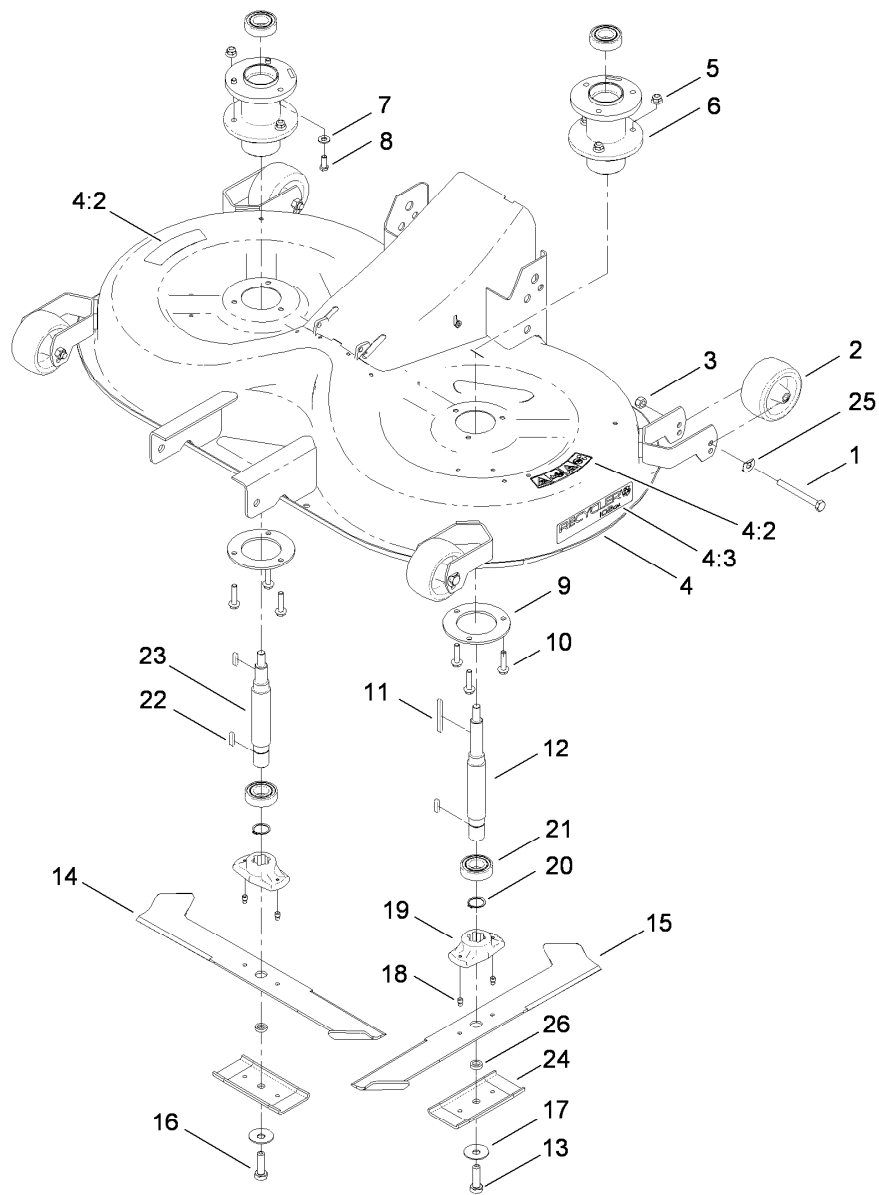
Ref.	Part Number	Qty.	Description
1	106-5760	1	Collector ASM
2	60-6910	2	Screw
3	87-5140	22	Nut-Lock
4	104-3033	1	Spring-Coll, Interlock Switch
5	106-5761	1	Bracket-Spring
6	104-3035	1	Grip-Handle
7	107-8917	1	Lever-Dump
8	104-3037	1	Front Frame ASM
9	104-3038	1	Bag-Grass
10	104-3039	1	Support-Corner, Right
11	104-2943	8	Washer-Flat
12	87-5150	4	Bolt
13	52-6430	14	Washer
14	104-3041	10	Screw-Hex
15	104-3042	1	Support-Corner, Left
16	104-3043	1	Brace-Connecting

Ref.	Part Number	Qty.	Description
17	104-3044	2	Screw-Hex
18	104-3045	1	Bottom Frame ASM
19	33024-00	1	Nut-Lock
20	104-3046	2	Brace
21	33114-025	1	Screw-HH
22	104-2948	4	Bolt-Carriage
23	33114-020	2	Screw-HH
24	3253-4	2	Washer-Lock
25	104-2946	4	Washer-Plain
26	104-3047	1	Top Frame ASM
27	104-3048	1	Handle-Lift
28	106-5762	1	Cover-Collector
29	106-5763	1	Screw
30	104-2952	6	Washer-Rubber
34	104-3242	1	Decal-Bag To Frame



Tunnel Assembly

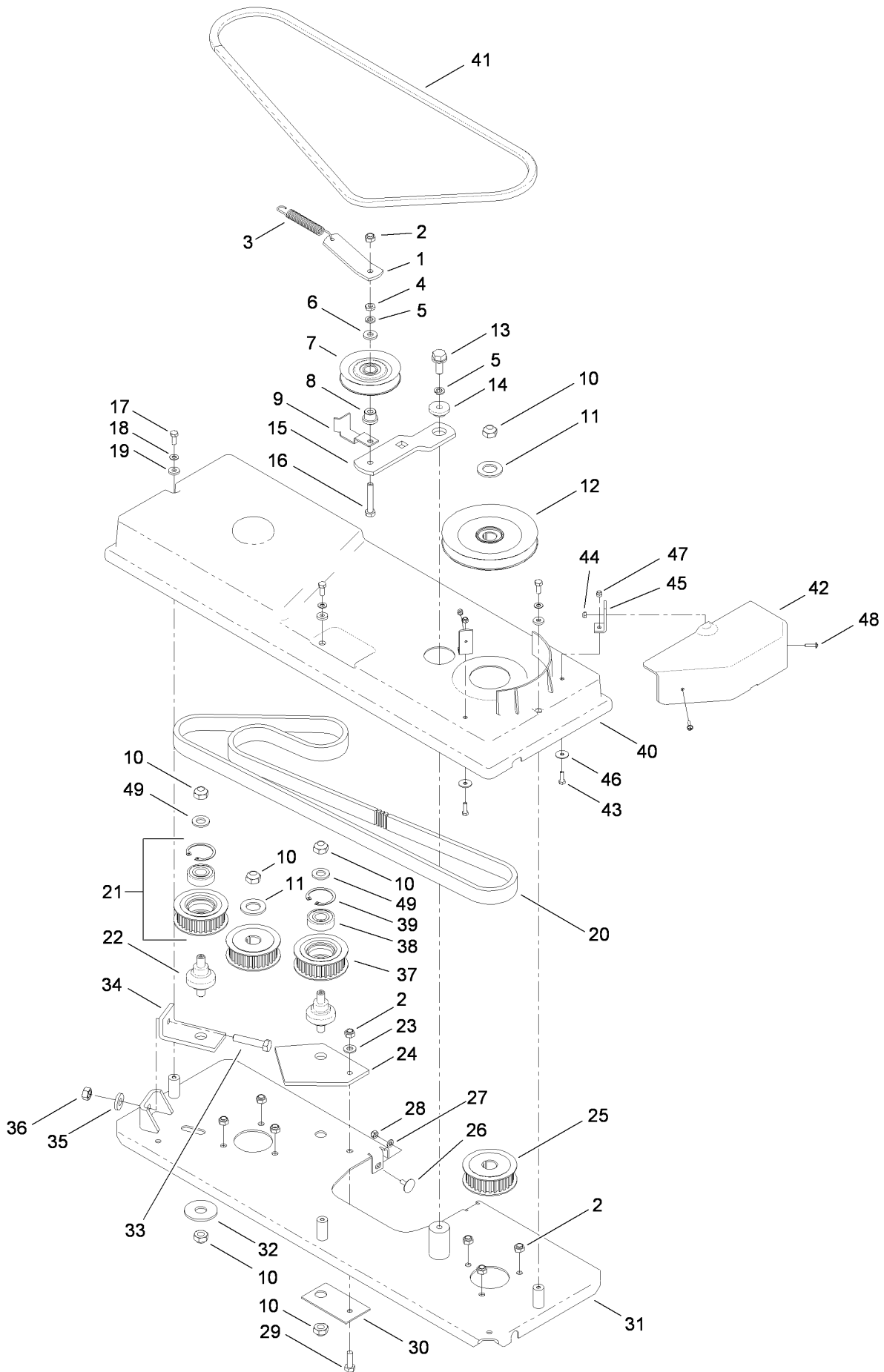
Ref.	Part Number	Qty.	Description	Ref.	Part Number	Qty.	Description
1	106-8562	1	Tunnel	25	106-8599	1	Shield-Rubber
2	104-2985	4	Nut-Hex	26	104-3069	1	Bracket-Shield, Protective
3	104-3055	1	Plate-Support	27	104-3070	1	Shield-Protective
4	104-3056	1	Seal-Rubber	28	104-3336	1	Shield-Adjustable
6	33114-020	2	Screw-HH	29	104-3335	1	Hopper-Receiving
7	68-9410	2	Screw-Flange	31	104-3074	1	Overload Switch ASM
8	104-2983	1	Screw	36	104-2961	2	Screw
9	104-3058	3	Screw-SFH	37	33113-012	4	Screw-HH
10	119-2741	1	Bracket-Bag Present Switch	38	33023-00	4	Nut-Lock
11	104-3060	2	Bolt-Carriage	39	32103-28	2	Nut-Wing
12	104-3061	4	Screw	40	33093-00	6	Washer-Flat
13	104-3062	1	Support-Collector, Right	41	104-2948	4	Bolt-Carriage
14	104-3063	1	Support-Collector, Left	42	87-5140	4	Nut-Lock
15	104-3064	1	Hitch-Tow	43	104-3243	1	Decal-Bypass, Hydro
17	104-3066	1	Collector Plate ASM	44	104-2853	1	Decal-Position, Bagging
18	33095-00	8	Washer-Flat	45	104-3347	2	Plate-Reinforcing
19	33024-00	8	Nut-Lock	46	104-3348	2	Washer-Spring
20	104-3067	1	Support-Hitch, Tow	47	106-5772	1	Bushing
21	104-3068	6	Screw-Hex	48	106-8575	2	Screw-HH
23	106-8597	1	Support-Tunnel, Left	49	110-8688	1	Bracket-Support, Fuel Tank
24	106-8598	1	Support-Tunnel, Right				



Cutting Pan and Mower Housing Assembly

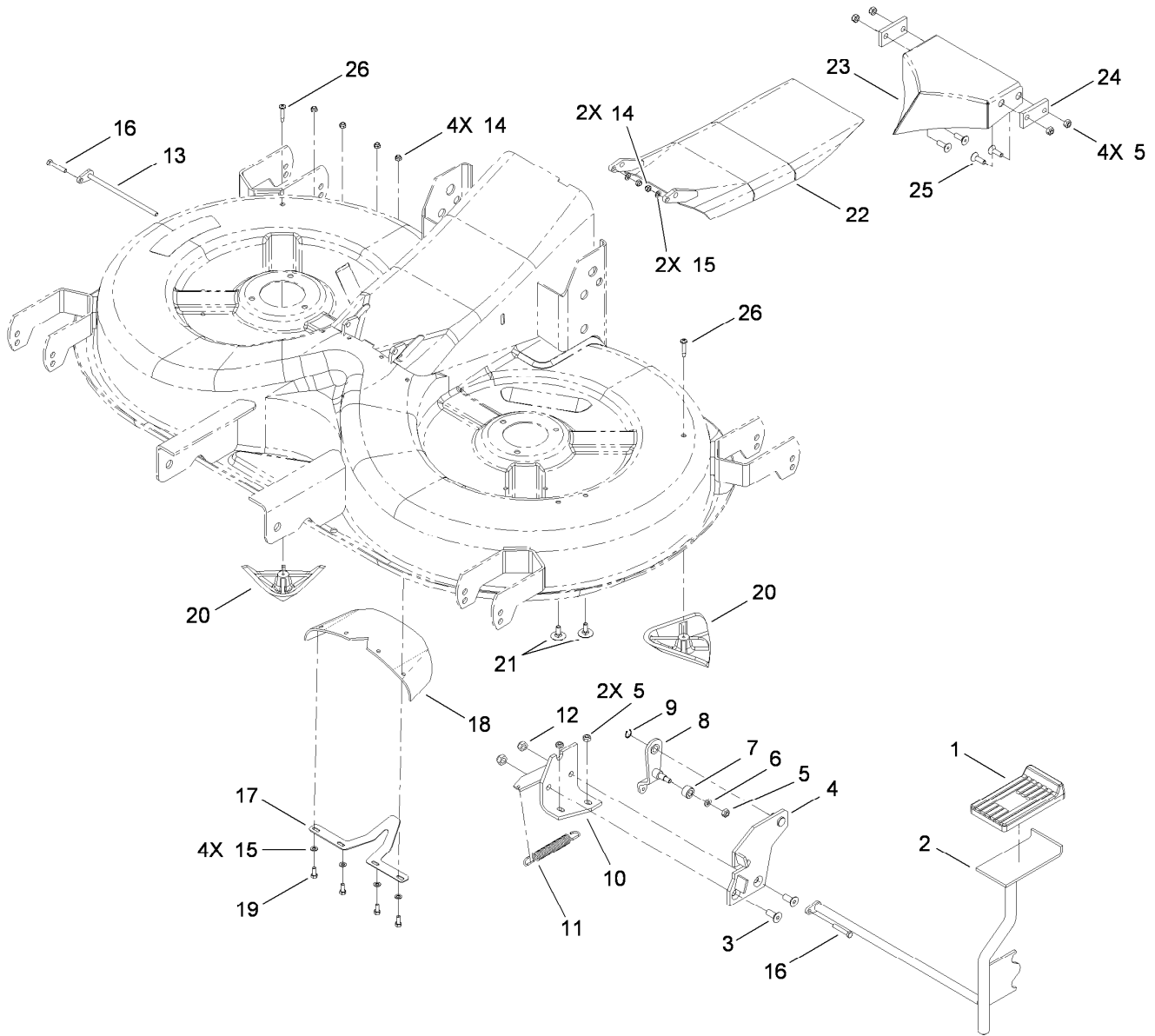
Ref.	Part Number	Qty.	Description	Ref.	Part Number	Qty.	Description
1	33115-090	4	Screw-HH	13	106-5797	1	Bolt-HH, Blade
2	104-3080	4	Wheel-Gauge	14	106-8557	1	Blade-RH
3	33025-00	4	Nut-Lock	15	106-8558	1	Blade-LH
4	110-9071	1	Deck ASM	16	106-5798	1	Bolt-Blade, HH
4:2	119-2726	2	Decal-Danger, Tractor	17	106-6532	2	Washer-Blade
4:3	119-2727	1	Decal-Recycler	18	104-3093	4	Pin-Shear, Grooved
5	104-3082	6	Nut-Lock, HF	19	106-4185	2	Adapter-Blade
6	107-8992	2	Housing-Spindle	20	104-3095	2	Ring-Locking
7	33094-00	6	Washer-Plain	21	104-6325	4	Bearing-Ball
8	33114-020	6	Screw-HH	22	104-3097	3	Key-Square
9	104-3084	2	Support-Ring	23	106-8566	1	Shaft-Blade, Right
10	104-3085	6	Bolt-HHF	24	106-6533	2	Stiffener-Blade
11	104-3086	1	Key	25	106-5767	4	Washer
12	106-8565	1	Shaft-Blade, Left	26	106-6530	2	Spacer

Cutting Pan and Drive System Assembly



Cutting Pan and Drive System Assembly (continued)

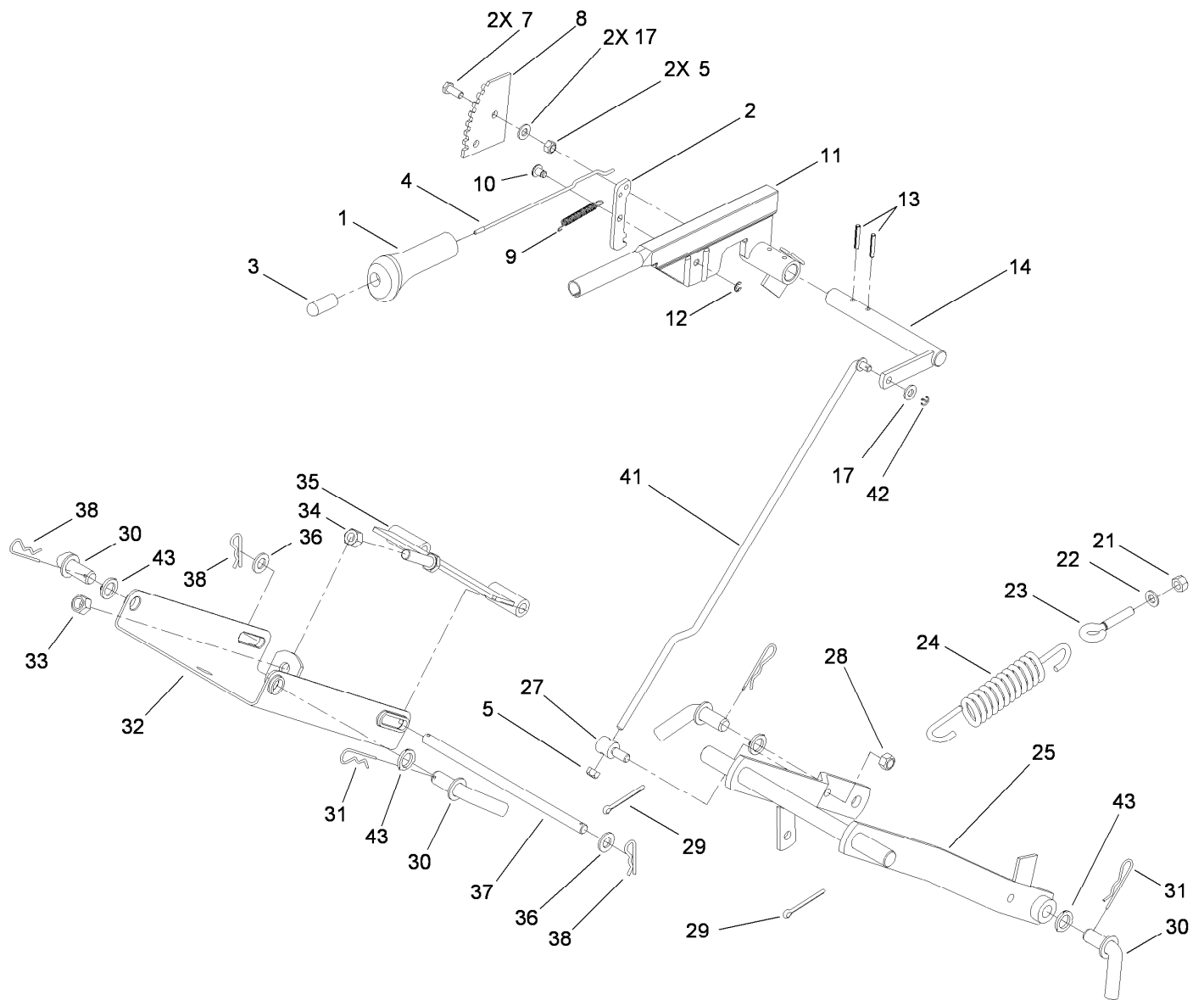
<i>Ref.</i>	<i>Part Number</i>	<i>Qty.</i>	<i>Description</i>	<i>Ref.</i>	<i>Part Number</i>	<i>Qty.</i>	<i>Description</i>
1	104-3099	1	Lever-Engagement	26	33123-016	2	Screw-CARR
2	48-9510	8	Nut	27	33093-00	2	Washer-Flat
3	104-3101	1	Spring	28	33023-00	2	Nut-Lock
4	57-6390	1	Nut-Jam	29	33114-025	3	Screw-HH
5	3253-4	1	Washer-Lock	30	104-3117	1	Plate-Anchor
6	106-8588	1	Washer-Flat	31	107-8996	1	Plate-Drive, Blade
7	104-3103	1	Pulley-Idler	32	104-2909	1	Washer
8	104-3104	1	Bushing	33	33115-050	1	Screw-HH
9	104-3105	1	Retainer-Belt	34	104-3120	1	Bracket-Idler
10	48-9540	6	Nut-Lock, Hex NI	35	108-8709	1	Washer-Flat
11	33099-00	4	Washer-Flat	36	48-9520	1	Nut
12	104-3107	1	Pulley-Drive	37	104-3121	1	Pulley-Cog
13	33105-025	1	Screw-HHF	38	100-1048	1	Bearing-Ball
14	107-8995	1	Shim-Arm, Idler	39	104-3123	1	Ring-Locking
15	104-3109	1	Arm-Idler	40	106-8589	1	Belt-Cover
16	33114-050	1	Screw-HH	41	104-3127	1	V-Belt
17	33113-016	3	Screw-HH	42	107-8941	1	Guard-Belt
18	106-8568	3	Washer-Flat	43	60-6910	2	Screw
19	83-7420	3	Washer-Rubber	44	87-5140	2	Nut-Lock
20	106-8591	1	Belt-Cog	45	107-8940	2	Bracket
21	104-3113	2	Cog Pulley ASM	46	3256-61	4	Washer-Flat
22	104-3114	2	Pin-Pulley, Cog	47	46-0430	2	Nut-Lock
23	33094-00	1	Washer-Plain	48	107-8918	2	Screw
24	104-3115	1	Support-Pulley	49	33096-00	2	Washer-Flat
25	104-3116	2	Pulley-Cog, Drive				



Cutting Pan and Bag on Demand Assembly

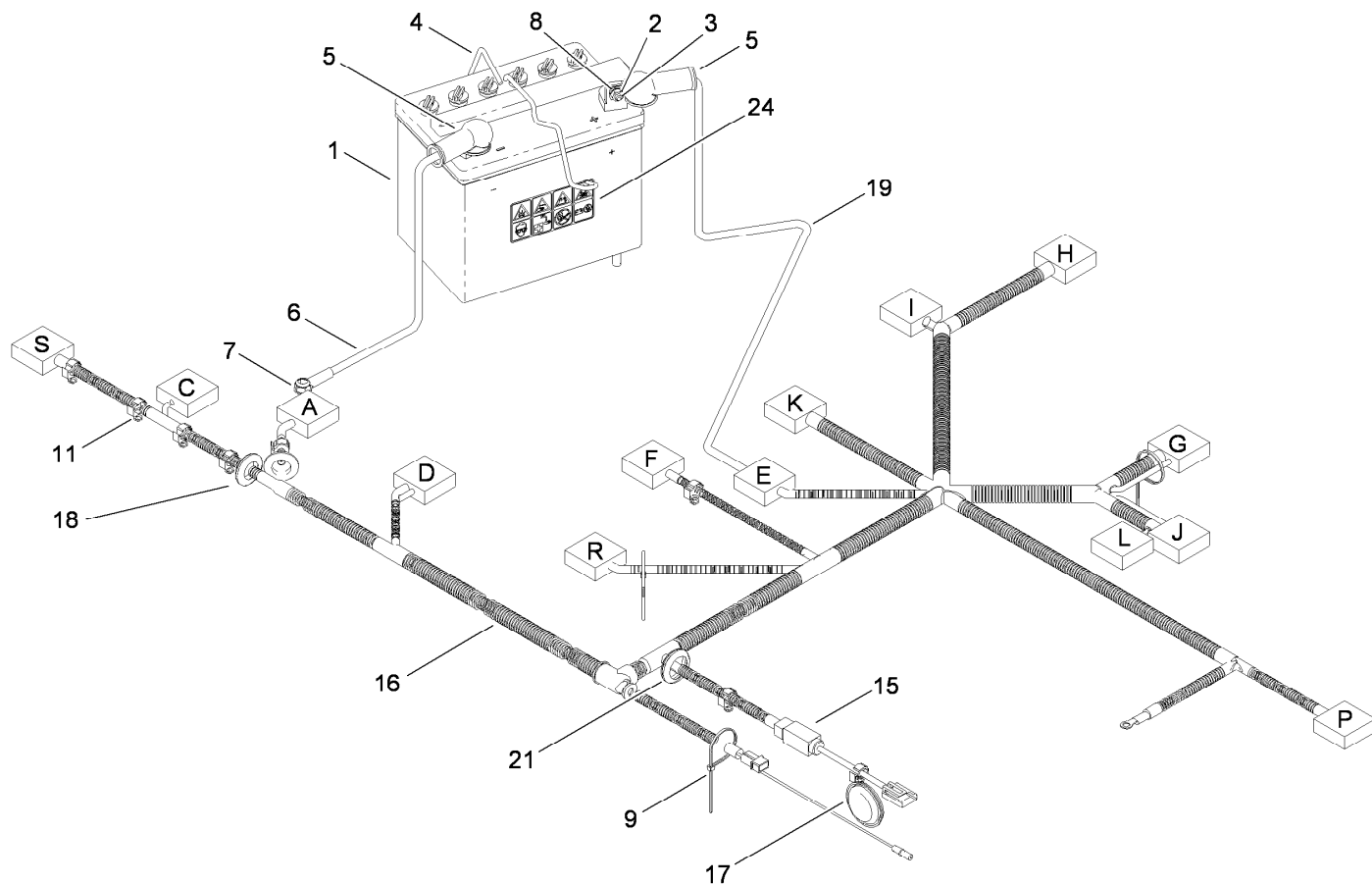
Ref.	Part Number	Qty.	Description
1	106-8583	1	Cover-Lever, Foot
2	106-8582	1	Lever-Footer
3	100-8159	2	Screw-HSFH
4	106-8578	1	Plate-Stop
5	33023-00	7	Nut-Lock
6	33093-00	1	Washer-Flat
7	106-8581	1	Roller
8	106-8579	1	Lever-Spring
9	106-8592	1	Ring-Locking
10	106-8577	1	Bracket-Mounting
11	106-8580	1	Spring
12	48-9510	2	Nut
13	106-8585	1	Rod-Door, Mulch

Ref.	Part Number	Qty.	Description
14	87-5140	6	Nut-Lock
15	52-6430	6	Washer
16	87-5150	2	Bolt
17	106-8567	2	Guide
18	106-8586	1	Gasket-Door, Mulch
19	106-8575	4	Screw-HH
20	106-8587	2	Kicker
21	33123-016	2	Screw-CARR
22	107-8968	1	Door-Mulch
23	106-8573	1	Baffle-Center
24	106-8572	2	Plate-Baffle, Center
25	106-8574	4	Screw
26	104-1451	2	Screw-TAP, PPH



Mower Lift Assembly

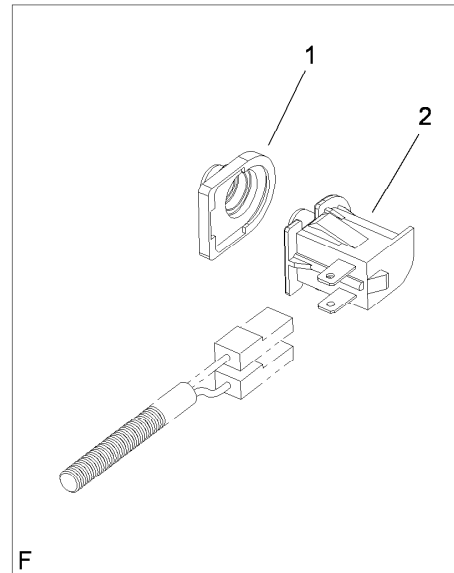
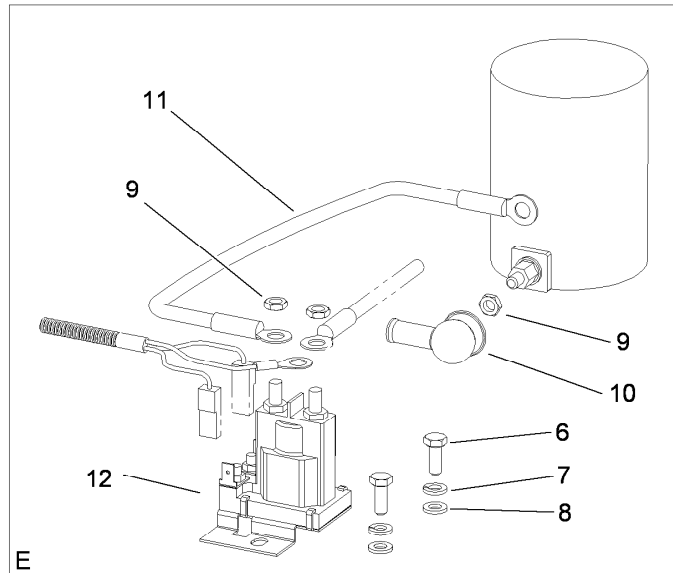
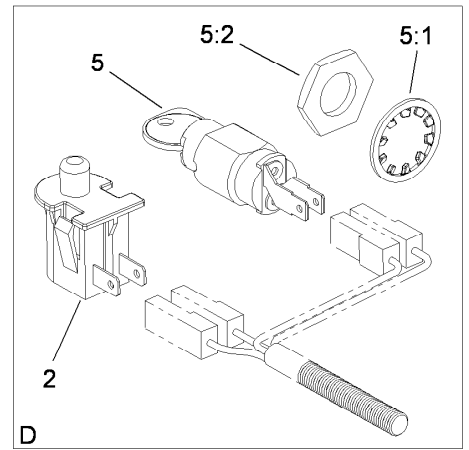
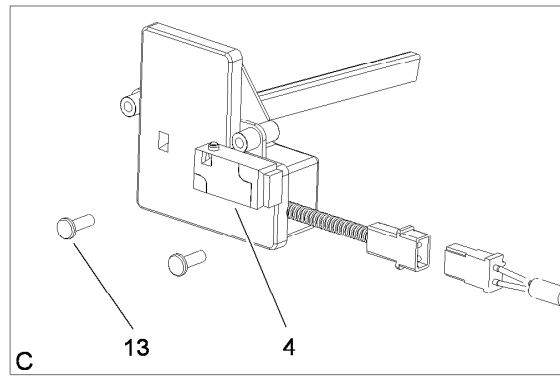
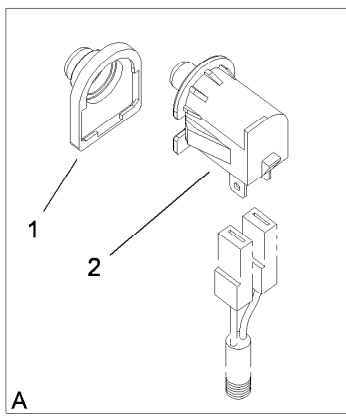
Ref.	Part Number	Qty.	Description	Ref.	Part Number	Qty.	Description
1	104-3129	1	Grip-Handle	25	104-3141	1	Pivot Arm ASM
2	104-3130	1	Ratchet-Plate, Pivot	27	104-3142	1	Pin-Lifting
3	104-3131	1	Button-Plunger	28	33025-00	1	Nut-Lock
4	104-3132	1	Rod-Connection	29	104-3016	2	Pin-Cotter
5	33024-00	3	Nut-Lock	30	104-3143	4	Pin-Bent
7	33114-020	2	Screw-HH	31	104-3144	4	Pin-Hair
8	114-3244	1	Gear-Segment, Deck Lift	32	104-3145	1	Suspension-Mower Deck, Front
9	104-3134	1	Spring	33	33026-00	1	Nut-Lock
10	104-3135	1	Pin-Arm Lever	34	33016-00	1	Nut-Hex
11	104-3136	1	Lever-Arm, Height Adj.	35	104-3146	1	Holder-Front
12	104-3137	1	Clip-Pin	36	104-3124	2	Washer-Flat
13	104-2994	2	Pin-Spring	37	104-3147	1	Pin
14	114-3245	1	Shaft-Lift, Deck	38	104-3148	2	Pin-Hair
17	33094-00	3	Washer-Plain	41	104-3149	1	Rod-Height, Adj.
21	33025-00	1	Nut-Lock	42	104-3151	1	Pin-Cotter
22	33095-00	1	Washer-Flat	43	34-9270	4	Washer-Hose
23	104-3139	1	Bolt-Eye				
24	104-3140	1	Spring-Lift				



Harness Assembly

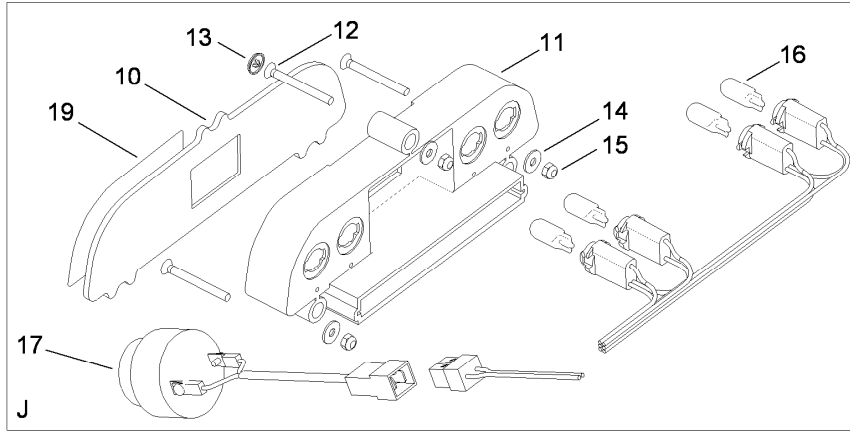
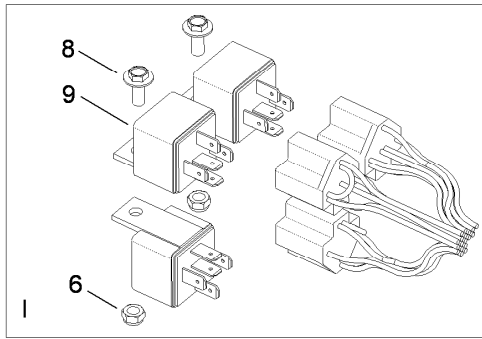
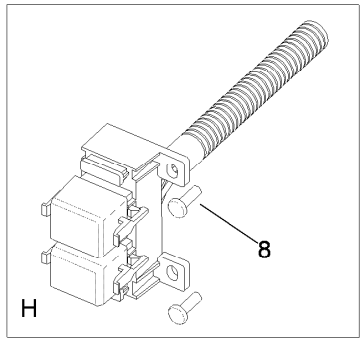
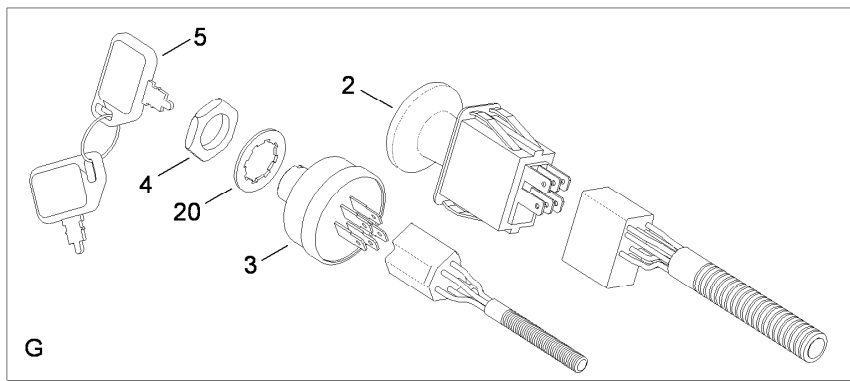
Ref.	Part Number	Qty.	Description
1	104-2491	1	Battery
2	33013-00	2	Nut-Hex
3	33113-016	2	Screw-HH
4	114-3131	1	Clamp-Battery
5	104-3154	2	Boot-Rubber
6	110-8678	1	Cable-Battery, Negative
7	33024-00	1	Nut-Lock
8	33093-00	2	Washer-Flat
9	3334-945	3	Tie-Cable

Ref.	Part Number	Qty.	Description
11	104-3157	8	Clip-Snap
15	104-3160	1	Harness-Clutch
16	108-8754	1	Harness-Wiring
17	104-3163	1	Cap
18	104-3165	2	Bushing
19	110-8677	1	Cable-Battery, Positive
21	104-3168	1	Bushing
24	93-7276	1	Decal-Danger



Electrical Switch No. 1 Assembly

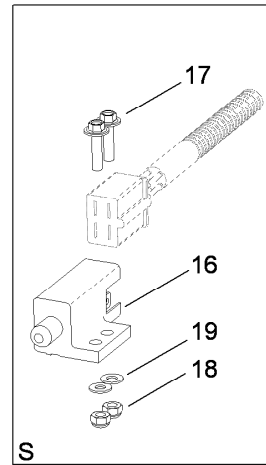
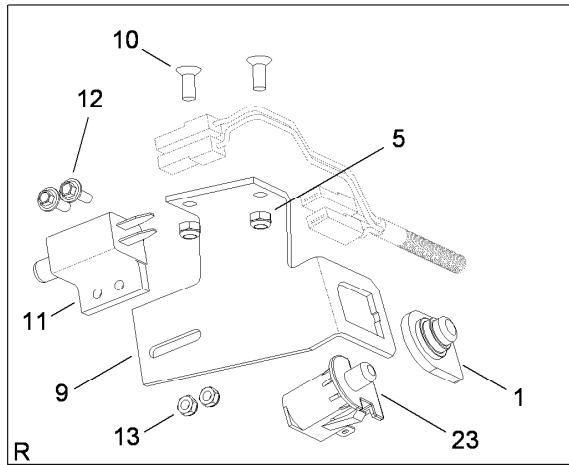
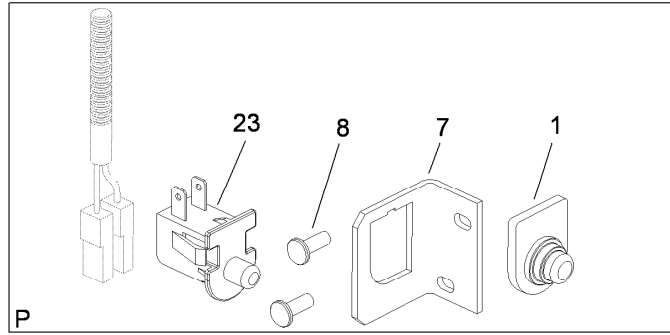
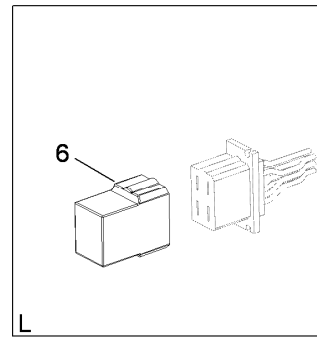
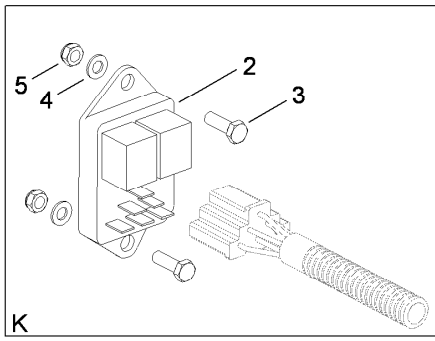
Ref.	Part Number	Qty.	Description
1	104-3178	2	Cover-Protective
2	104-3179	3	Switch-Delta
4	104-3074	1	Overload Switch ASM
5	46-5780	1	Starter Switch ASM
5:1	3254-5	1	Washer-Tooth, Internal
5:2	218-461	1	Nut-HH
6	33113-012	2	Screw-HH
7	104-3186	2	Washer-Spring
8	33093-00	2	Washer-Flat
9	32128-32	3	Nut-HHF
10	104-3187	1	Boot-Rubber
11	104-3188	1	Lead-Starter, Electric
12	47-1910	1	Solenoid
13	104-3349	2	Screw



Electrical Switch No. 2 Assembly

<i>Ref.</i>	<i>Part Number</i>	<i>Qty.</i>	<i>Description</i>
2	93-9998	1	Switch-PTO
3	92-6785	1	Switch-Ignition
4	218-461	1	Nut-HH
5	62-7770	2	Key-Ignition
6	87-5140	2	Nut-Lock
8	104-2978	4	Screw-Hex
9	104-3173	2	Relay
10	92-6707	1	Lens-Dash Lights
11	92-6732	1	Housing-Light, Indicator

<i>Ref.</i>	<i>Part Number</i>	<i>Qty.</i>	<i>Description</i>
12	104-3191	3	Screw
13	104-3174	3	Screw-Cap
14	104-3175	3	Washer
15	104-2985	3	Nut-Hex
16	104-3176	3	Bulb
17	104-3177	1	Buzzer
19	107-2220	1	Decal-Dash
20	3254-5	1	Washer-Tooth, Internal



Electrical Switch No. 3 Assembly

<i>Ref.</i>	<i>Part Number</i>	<i>Qty.</i>	<i>Description</i>
1	104-3178	1	Cover-Protective
2	99-3701	1	Module-Clutch
3	60-6910	2	Screw
4	52-6430	2	Washer
5	87-5140	4	Nut-Lock
6	104-3169	1	Circuit-Memory
7	107-8954	1	Holder-Switch
8	104-3190	2	Screw
9	107-8955	1	Holder-Switch

<i>Ref.</i>	<i>Part Number</i>	<i>Qty.</i>	<i>Description</i>
10	104-2980	2	Screw
11	95-1653	1	Switch-Pole, Single
12	104-2983	2	Screw
13	104-2985	2	Nut-Hex
16	104-3330	1	Switch-Delta
17	104-3331	2	Bolt
18	46-0430	2	Nut-Lock
19	52-6430	2	Washer
23	104-3180	1	Switch-Delta

Attachments and Accessories

For 74573 DH 200 Lawn Tractor

Product Name

Model/Part

Bagging Blade Kit, 2003 and After DH Series Lawn Tractors	106-8559
Rear Discharge Kit.....	79471

Notes:

Notes:

Notes:



Count on it.