



**Count on it.**

**Parts Catalog**

**DH 220 Lawn Tractor**

Model No. 74593—Serial No. 31000001 and Up

# Ordering Replacement Parts

To order replacement parts, please supply the part number, the quantity, and the description of each part desired.

## Understanding Reference Numbers

Each identified part in an illustration has a reference number. The reference number for a part also appears in the parts list, along with other information about the part.

This catalog uses two special reference number formats, one to indicate parts in a service assembly and another to indicate the quantity of a given part in an illustration.

## Service Assembly Reference Numbers

Parts in service assemblies have reference numbers in the form a:b. The a represents the reference number of the entire service assembly and the b represents a sequential number unique to each part within the service assembly.

For example, a wheel assembly might be identified by reference number 6, the tire by 6:1, the valve by 6:2, and the wheel by 6:3. When you order the assembly identified by reference number 6, you receive all parts identified by reference numbers 6:1, 6:2, and 6:3. However, you may also order any part individually. Reference numbers of this type appear in illustration and in parts lists.

## Reference Numbers Indicating Quantity

In an illustration, if a reference number indicates more than one part, the reference number has the form nX y. The n represents the quantity of the part, the X is the multiplication symbol, and the y represents the reference number.

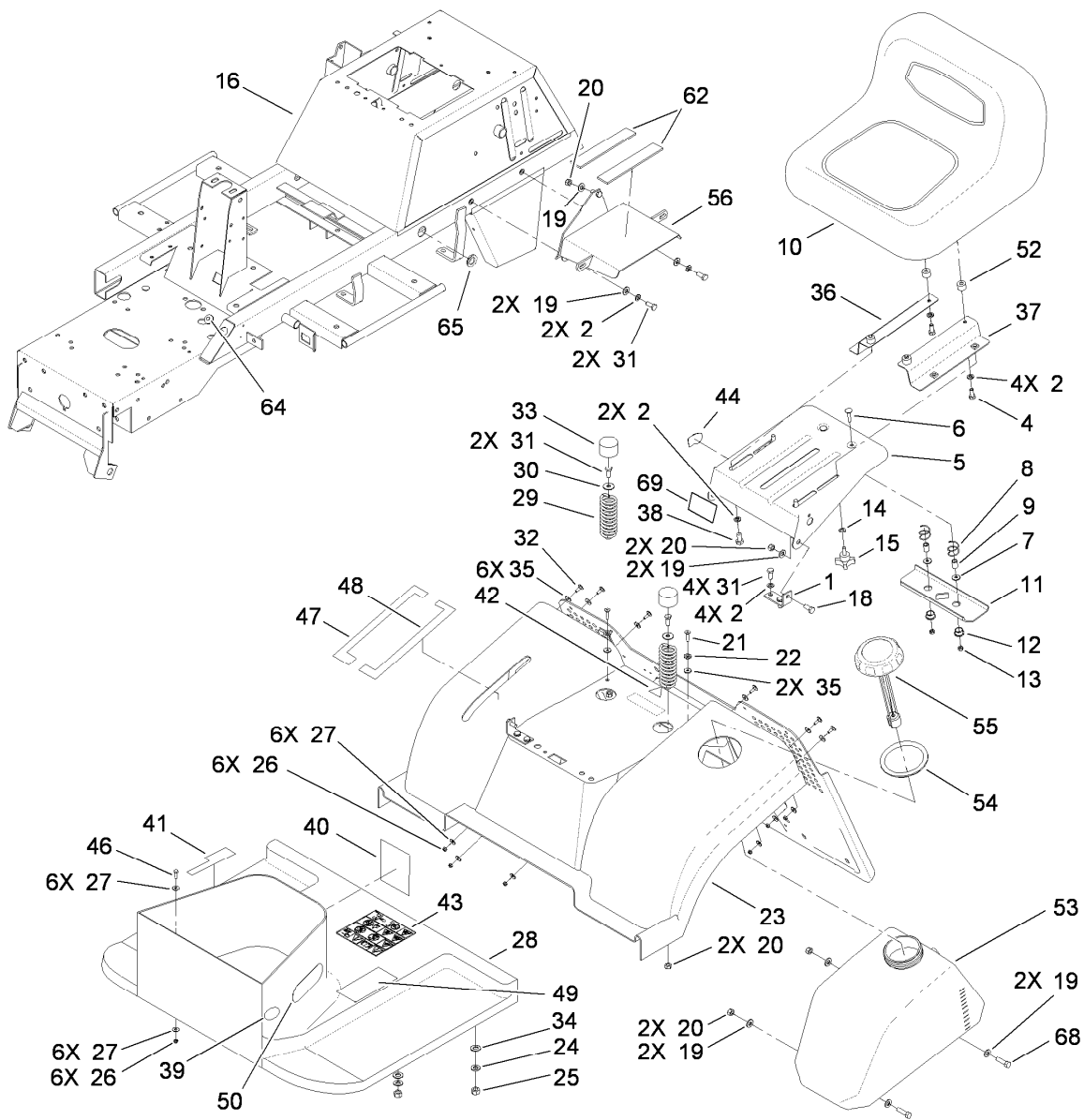
For example, in an illustration, the reference number 2X 37 means that two of the parts identified by reference number 37 are indicated.

# List of Abbreviations

<b>AR:</b> as required	<b>HSBH:</b> hex socket button head	<b>SFH:</b> slotted fillister head
<b>ASM:</b> assembly	<b>HSFH:</b> hex socket flat head	<b>SHH:</b> slotted hex head
<b>BBC:</b> blade brake clutch	<b>HSH:</b> hex socket head	<b>SHWH:</b> slotted hex washer head
<b>CARR:</b> carriage	<b>HWH:</b> hex washer head	<b>SPH:</b> slotted pan head
<b>CCW:</b> counter clock wise	<b>HWTF:</b> hex washer head thread forming	<b>SQH:</b> square head
<b>CW:</b> clockwise	<b>HYD:</b> hydraulic	<b>SRH:</b> slotted round head
<b>DEG:</b> degrees	<b>LH:</b> left hand	<b>STD:</b> standard
<b>ECM:</b> electronic control module	<b>NI:</b> nylon insert	<b>TAP:</b> self tapping
<b>EXT:</b> external	<b>NPTF:</b> national pipe thread fine	<b>TTH:</b> torx truss head
<b>FH:</b> flat head	<b>PFH:</b> phillips flat head	
<b>GA:</b> gauge	<b>PPH:</b> phillips pan head	
<b>HD:</b> heavy-duty	<b>PPHTF:</b> phillips pan head thread forming	
<b>HF:</b> hex flange	<b>PRH:</b> phillips round head	
<b>HH:</b> hex head	<b>PTH:</b> phillips truss head	
<b>HHF:</b> hex head flange	<b>PTO:</b> power-take-off	
<b>HHFTF:</b> hex head flange thread forming	<b>RH:</b> right hand	
<b>HJ:</b> hex jam	<b>ROPS:</b> roll-over protection system	
<b>HLH:</b> hex lag head	<b>RRB:</b> rear roller brush	
<b>HOC:</b> height-of-cut		

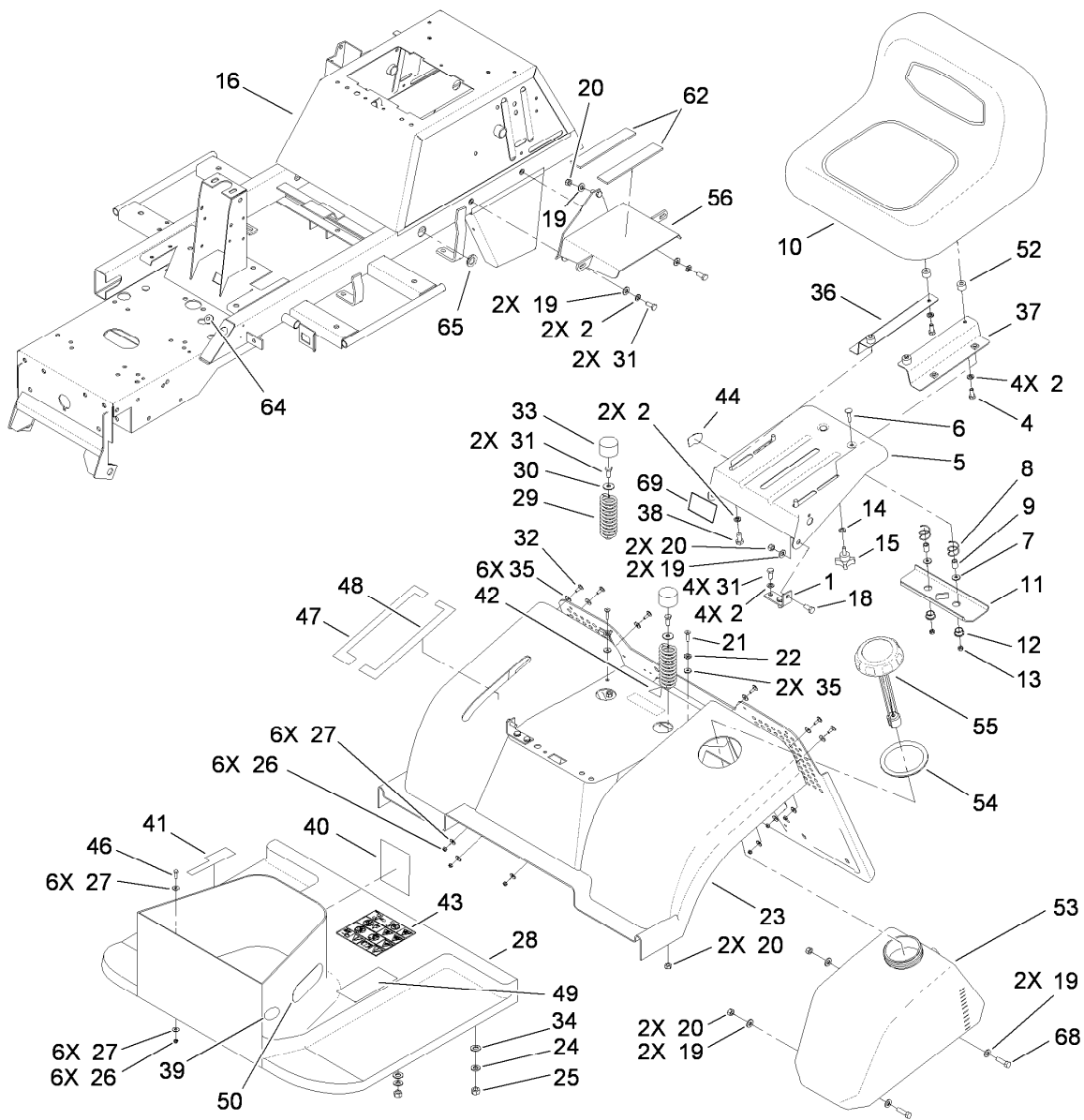
# Contents

Frame, Fender, Seat and Fuel Tank Assembly .....	4
Front Axle Assembly .....	6
Steering Assembly .....	7
Hood and Dash Assembly .....	8
Engine Assembly .....	9
Operation - Brake and Bypass Assembly .....	10
Operation - Travel Pedal Assembly .....	11
Transmission Assembly .....	12
Control Shaft Assembly Transmission Assembly No. 114-3155 .....	14
Differential Gear Assembly Transmission Assembly No. 114-3155 .....	15
Final Pinion Assembly Transmission Assembly No. 114-3155 .....	16
Axle Shaft Assembly Transmission Assembly No. 114-3155 .....	17
Brake Assembly Transmission Assembly No. 114-3155 .....	18
Fan Pulley Assembly Transmission Assembly No. 114-3155 .....	19
Range Shift Assembly Transmission Assembly No. 114-3155 .....	20
Center Case Assembly Transmission Assembly No. 114-3155 .....	21
Pump Shaft Assembly Transmission Assembly No. 114-3155 .....	22
Motor Shaft Assembly Transmission Assembly No. 114-3155 .....	23
Transaxle Case Assembly Transmission Assembly No. 114-3155 .....	24
Grass Collector Assembly .....	25
Tunnel Assembly .....	26
Cutting Pan and Mower Housing Assembly .....	27
Cutting Pan and Drive System Assembly .....	28
Cutting Pan and Bag on Demand Assembly .....	30
Mower Lift Assembly .....	31
Battery and Electrical Harness Assembly .....	32
Electrical Switch No. 2 Assembly .....	33
Electrical Switch Assembly No. 2 .....	34
Electrical Switch Assembly No. 3 .....	35
Attachments and Accessories .....	36



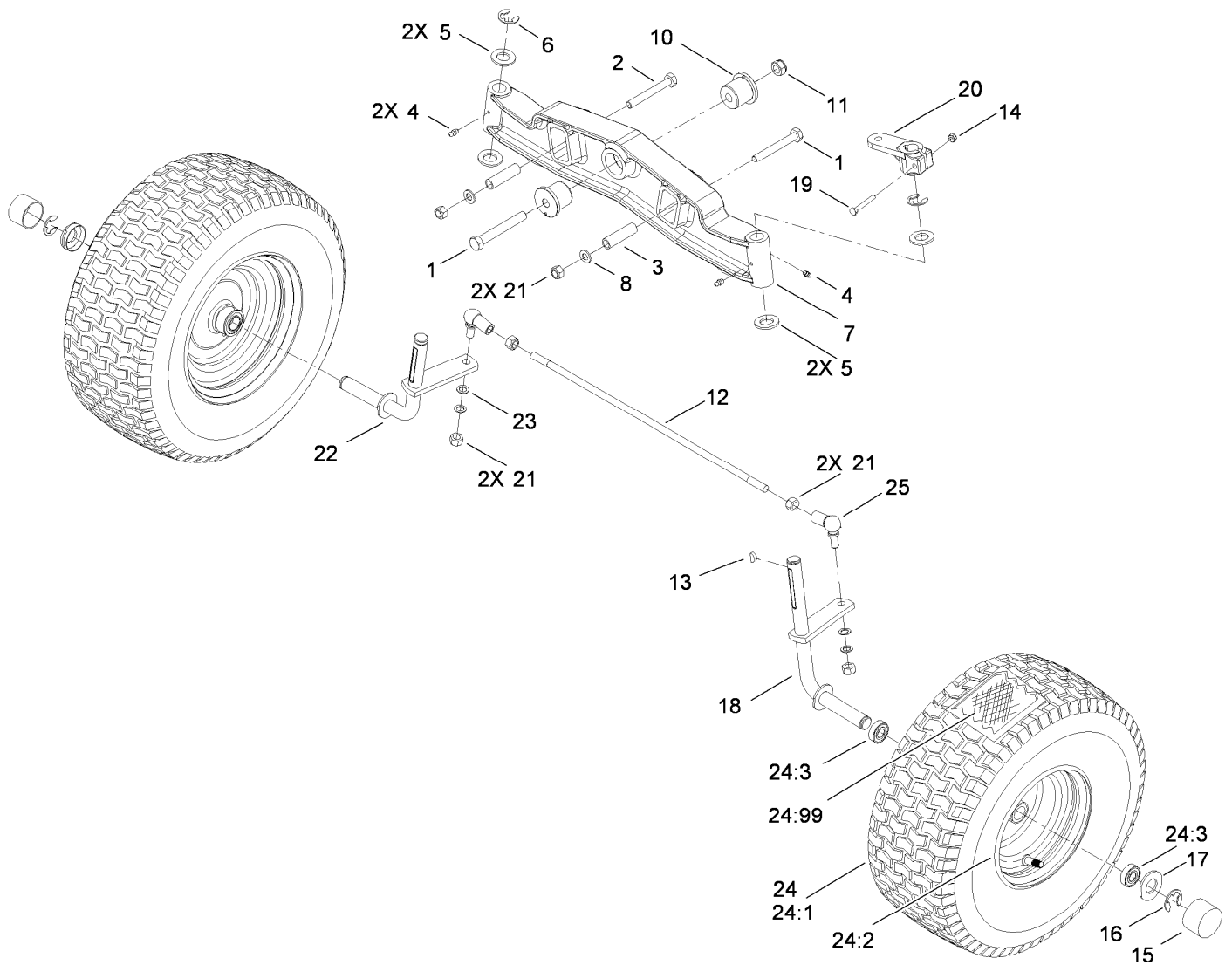
## Frame, Fender, Seat and Fuel Tank Assembly

Ref.	Part Number	Qty.	Description	Ref.	Part Number	Qty.	Description
1	104-2926	2	Bracket-Support, Seat	24	33095-00	4	Washer-Flat
2	3253-4	12	Washer-Lock	25	33025-00	4	Nut-Lock
4	322-3	4	Screw-HH	26	87-5140	12	Nut-Lock
5	104-2929	1	Support-Seat	27	104-2943	18	Washer-Flat
6	104-2930	2	Bolt-Carriage	28	104-2944	1	Footrest ASM
7	104-2931	2	Washer-Flat	29	104-2945	2	Spring-Seat
8	104-2932	2	Spring-Seat	30	104-2946	2	Washer-Plain
9	104-2933	2	Spacer-Split	31	33114-020	8	Screw-HH
10	107-2213	1	Seat ASM	32	104-2948	6	Bolt-Carriage
11	104-2934	1	Bracket	33	104-2857	2	Cap-Hub
12	104-2935	2	Bushing	34	104-2951	4	Washer-Rubber
13	33023-00	2	Nut-Lock	35	104-2952	8	Washer-Rubber
14	104-2936	2	Washer-Spring	36	107-8915	1	Bracket-Seat, RH
15	104-2937	2	Knob-Adj.	37	107-8916	1	Bracket-Seat, LH
16	107-8948	1	Chassis-Frame	38	104-3195	2	Screw
18	104-2939	2	Screw-Support, Seat	39	104-3237	1	Decal-Brake, Parking
19	33094-00	9	Washer-Plain	40	104-3238	1	Decal-Starting
20	33024-00	7	Nut-Lock	41	104-3241	1	Decal-Operation, Hydro
21	104-2940	2	Screw-HSFH	42	104-3242	1	Decal-Bag To Frame
22	104-2941	2	Washer-Finish	43	119-2725	1	Decal-Danger, Tractor
23	114-3247	1	Fender-Body, Rear	44	99-5340	1	Decal-Switch



## Frame, Fender, Seat and Fuel Tank Assembly (continued)

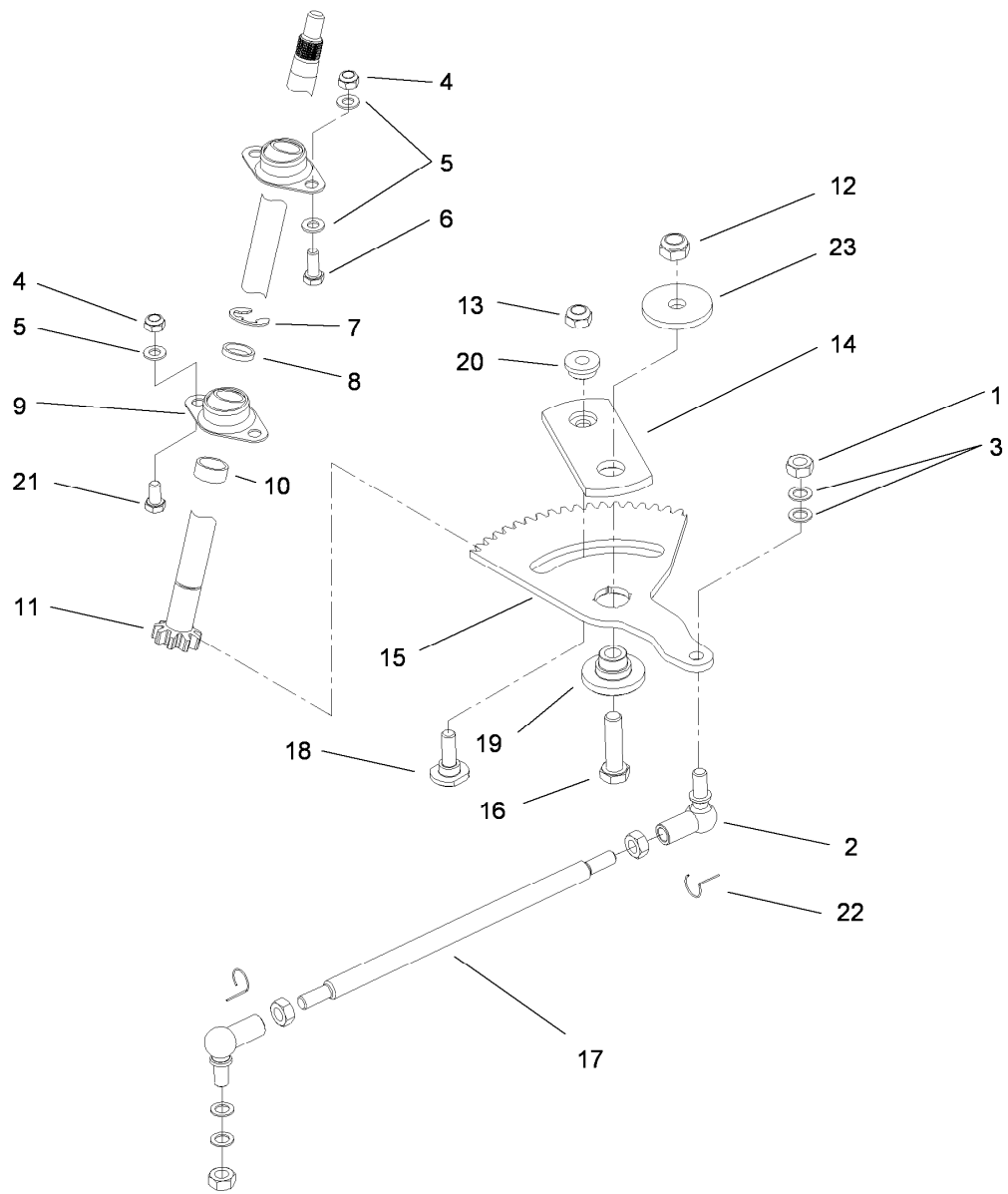
<i>Ref.</i>	<i>Part Number</i>	<i>Qty.</i>	<i>Description</i>	<i>Ref.</i>	<i>Part Number</i>	<i>Qty.</i>	<i>Description</i>
46	60-6910	6	Screw	55	110-8697	1	Cap-Fuel
47	104-3239	1	Decal-HOC, LH	56	110-8684	1	Bracket-Fuel, Tank
48	104-3240	1	Decal-HOC, RH	62	110-8690	2	Strip-Rubber, Fuel Tank
49	106-8552	1	Decal-Operation	64	107-8950	1	Grommet
50	107-8976	2	Decal-Tower	65	110-8683	1	Grommet
52	107-8924	2	Shim-Seat	68	33114-030	2	Screw-HH
53	110-8689	1	Tank-Fuel	69	119-2730	1	Decal-Danger, Tractor
54	110-8691	1	Protector-Neck, Filler				



## Front Axle Assembly

Ref.	Part Number	Qty.	Description	Ref.	Part Number	Qty.	Description
1	33116-090	1	Screw-HH	16	104-2891	2	Clip-Spring
2	33115-080	2	Screw-HH	17	107-8998	2	Retainer-Cap, Hub
3	104-2851	2	Spacer	18	114-3241	1	Spindle-Front, Left
4	104-2904	3	Fitting-Grease	19	33113-045	1	Screw-HH
5	104-2905	4	Washer-Flat	20	104-2862	1	Lever-Spindle, Steering
6	104-2891	2	Clip-Spring	21	33025-00	6	Nut-Lock
7	104-2852	1	Axle-Front	22	114-3242	1	Spindle-Front, Right
8	104-2906	2	Washer-Flat	23	106-5757	4	Washer
10	104-2890	2	Bushing-Axle, Front	24		2	Wheel ASM ●
11	104-2907	1	Nut-Locking, Self	24:1	99-2336	1	Tire
12	104-2855	1	Rod-Tie, Front Axle	24:2	114-3243	1	Rim-Front
13	104-2856	1	Key-Woodruff	24:3	110513	2	Bearing-Wheel
14	33023-00	1	Nut-Lock	24:99	112819	1	Tube-Inner
15	104-2857	2	Cap-Hub	25	104-2876	2	Joint-Ball, Angle

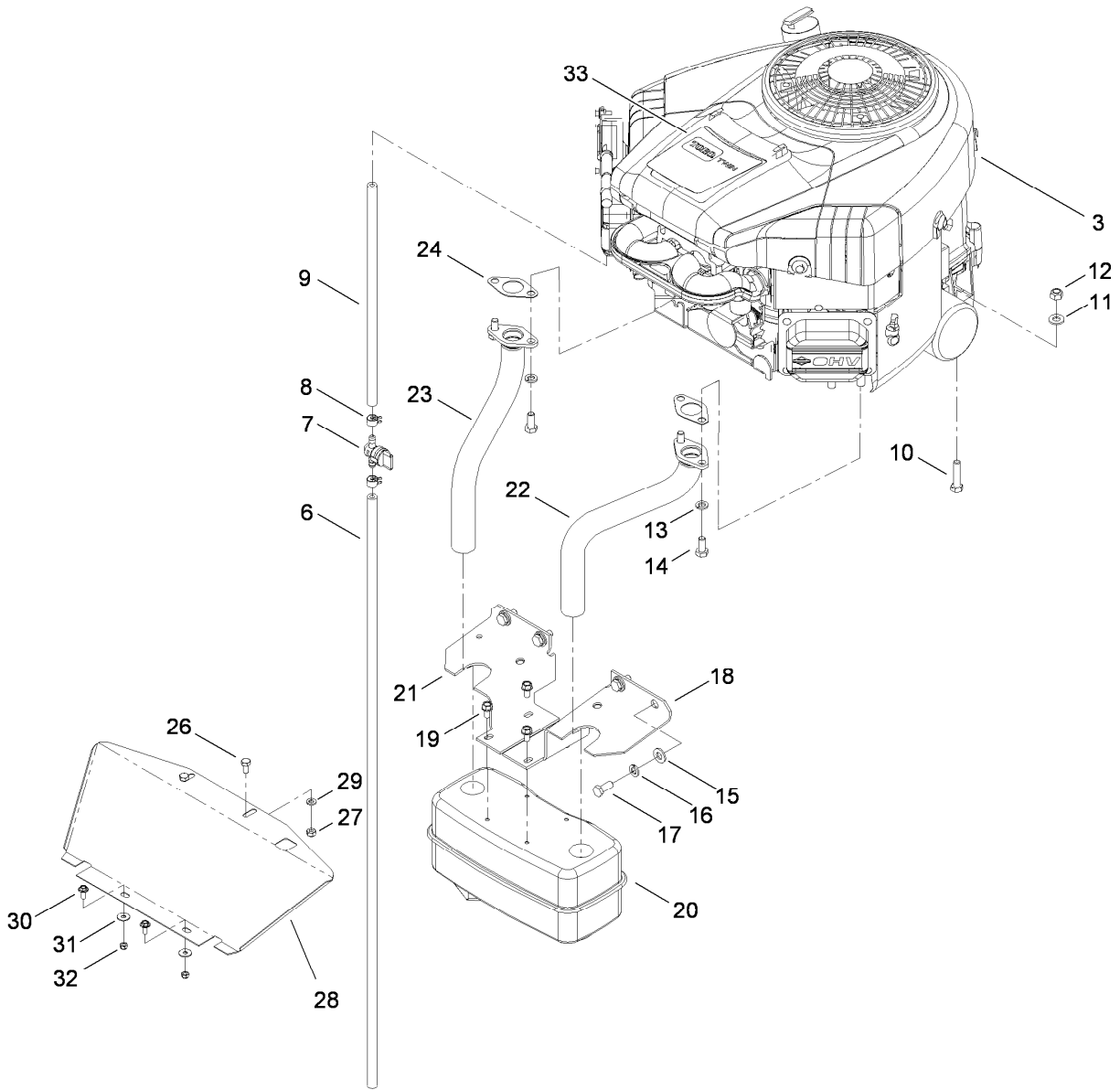
● Not serviced separately



## Steering Assembly

<i>Ref.</i>	<i>Part Number</i>	<i>Qty.</i>	<i>Description</i>	<i>Ref.</i>	<i>Part Number</i>	<i>Qty.</i>	<i>Description</i>
1	33025-00	4	Nut-Lock	13	33025-00	1	Nut-Lock
2	104-2876	2	Joint-Ball, Angle	14	105-1238	1	Plate-Steering
3	106-5757	4	Washer	15	104-2883	1	Gear-Sector
4	33024-00	4	Nut-Lock	16	104-2910	1	Screw-Hex
5	33094-00	6	Washer-Plain	17	104-2886	1	Link-Drag
6	33114-020	2	Screw-HH	18	105-1239	1	Bolt-Shoulder
7	104-2891	1	Clip-Spring	19	105-1240	1	Pivot-Steering
8	104-2877	1	Spacer-Upper	20	105-1241	1	Bushing
9	104-2878	2	Bearing-Spherical	21	33114-016	2	Screw-HH
10	104-2879	1	Spacer-Lower	22	104-2865	2	Stirrups-Locking
11	106-5773	1	Shaft-Steering	23	108-8892	1	Washer
12	33026-00	1	Nut-Lock				



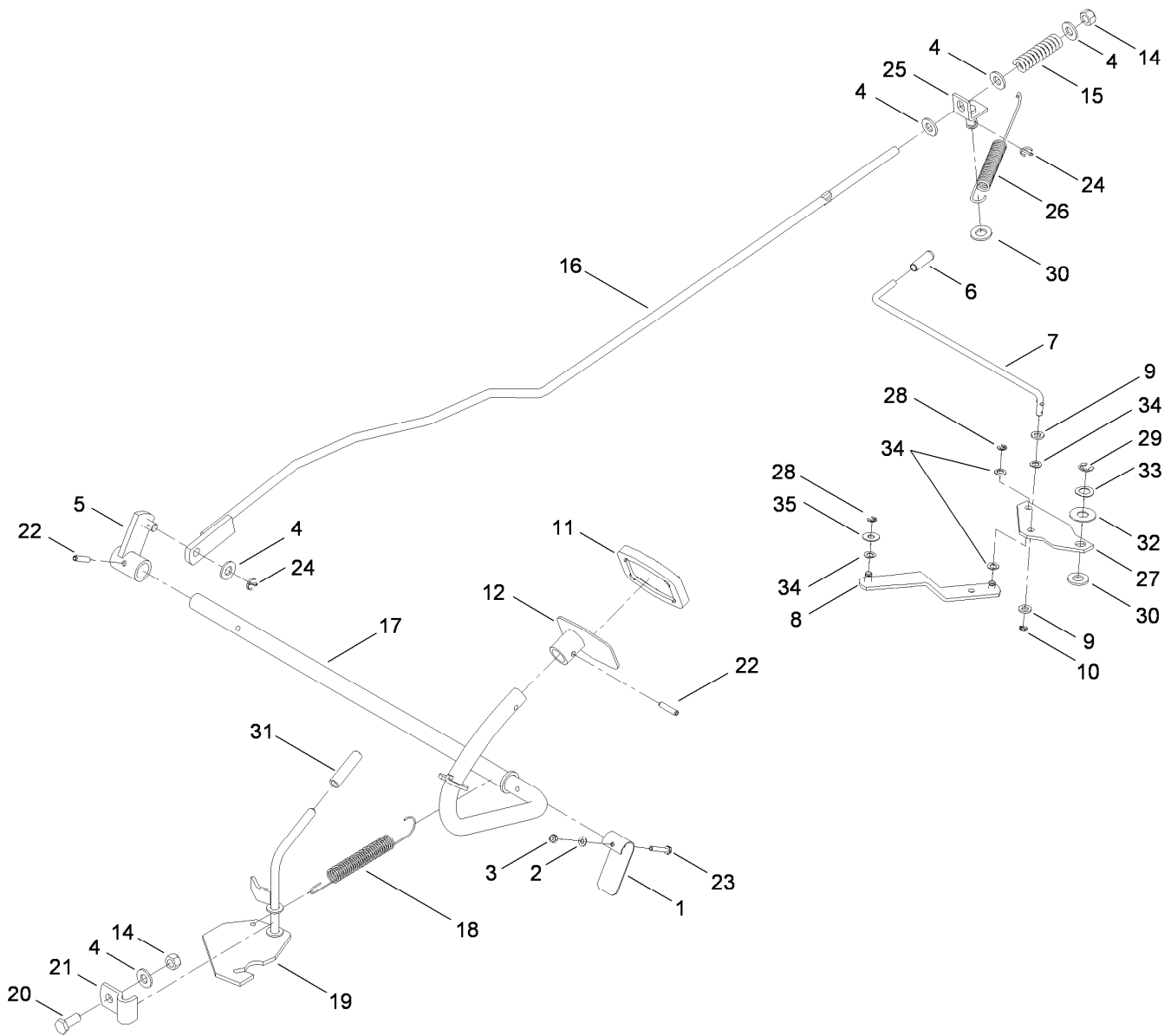


## Engine Assembly

Ref.	Part Number	Qty.	Description	Ref.	Part Number	Qty.	Description
3		1	Engine-Briggs & Stratton 4067770113B1 ●■	19	106-5763	4	Screw
6	110-8692	1	Line-Fuel	20	104-3225	1	Muffler
7	104-3224	1	Valve-Tank, Fuel	21	104-3215	1	Guard-Muffler, RH
8	104-3212	4	Clamp-Line, Fuel	22	104-3216	1	Tube-Exhaust, LH
9	110-8696	1	Line-Fuel	23	104-3217	1	Tube-Exhaust, RH
10	33114-035	4	Screw-HH	24	104-3226	2	Gasket-Exhaust
11	33094-00	4	Washer-Plain	26	33113-012	2	Screw-HH
12	33024-00	4	Nut-Lock	27	33023-00	2	Nut-Lock
13	104-2927	4	Washer-Spring	28	104-3219	1	Shield-Heat
14	322-3	4	Screw-HH	29	33093-00	2	Washer-Flat
15	33094-00	4	Washer-Plain	30	104-2980	2	Screw
16	104-2927	4	Washer-Spring	31	104-2943	2	Washer-Flat
17	33114-020	4	Screw-HH	32	87-5140	2	Nut-Lock
18	104-3214	1	Guard-Muffler, LH	33	117-7820	1	Decal-Engine

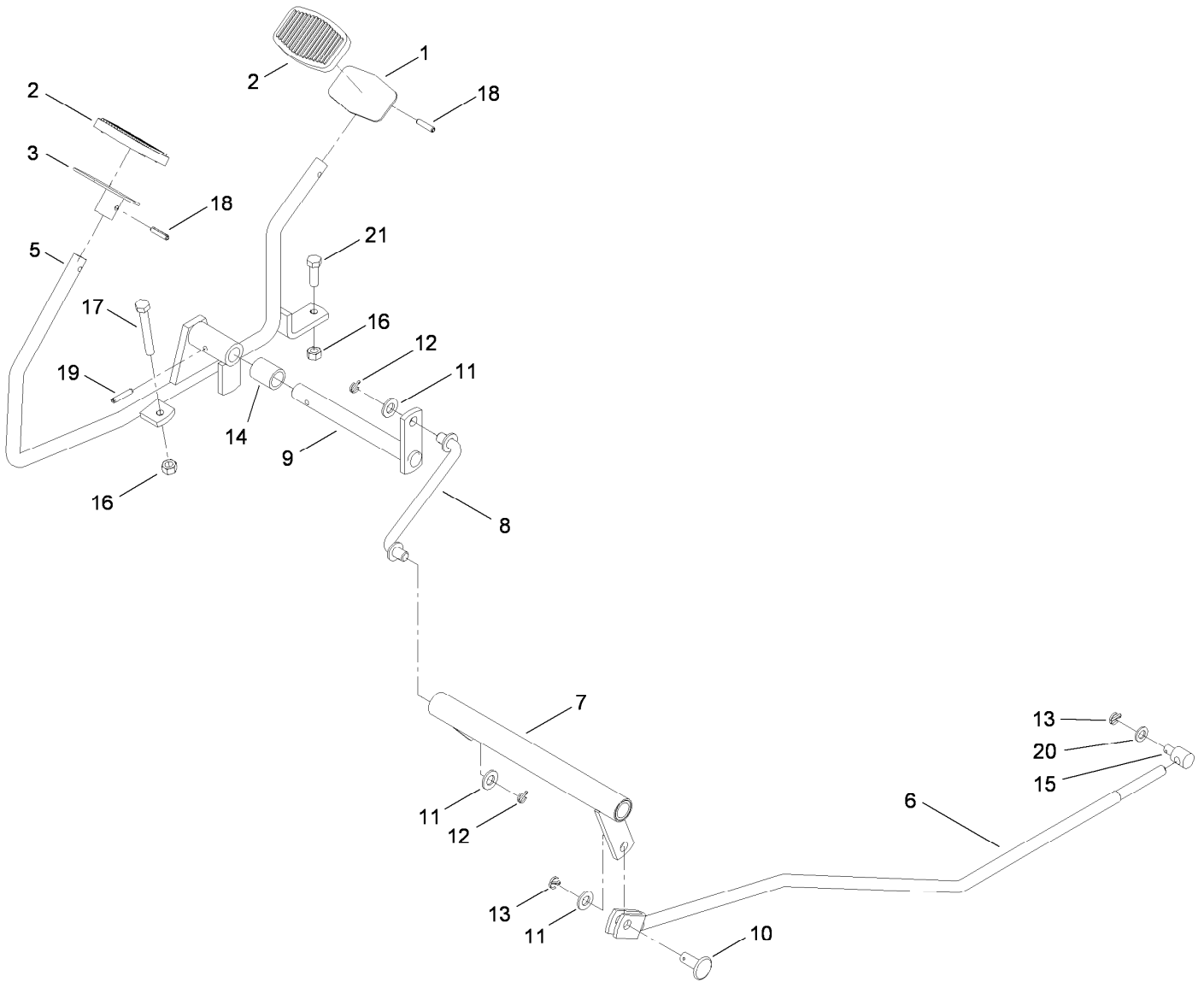
● Not serviced separately

■ Obtain parts from [www.briggsandstratton.com](http://www.briggsandstratton.com)



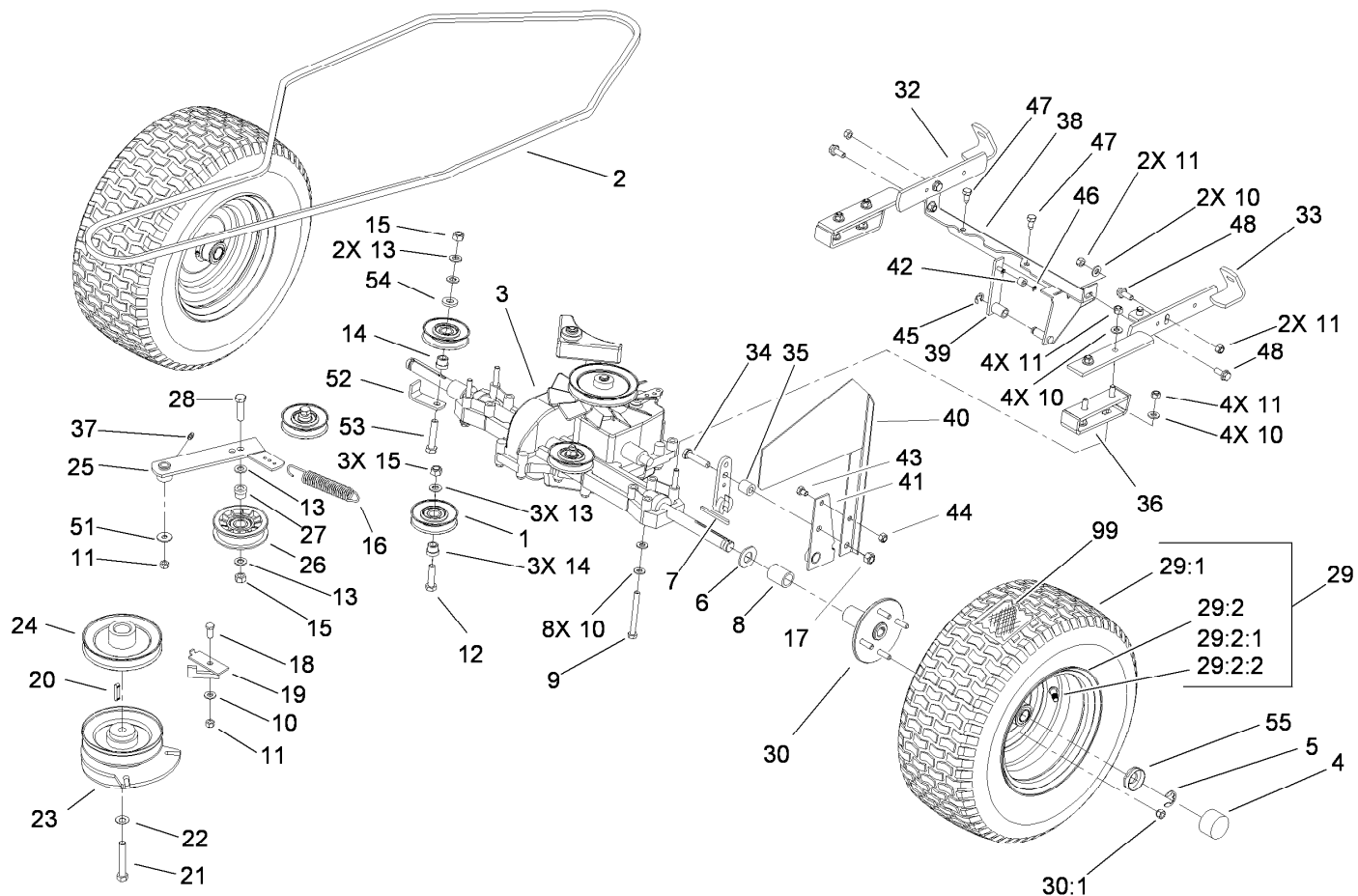
## Operation - Brake and Bypass Assembly

Ref.	Part Number	Qty.	Description	Ref.	Part Number	Qty.	Description
1	104-2992	1	Lever-Spring	19	104-3006	1	Lever-Brake, Hand
2	104-2984	1	Washer	20	33114-020	1	Screw-HH
3	104-2985	1	Nut-Hex	21	104-3007	1	Clamp-Lever, Parking Brake
4	33094-00	5	Washer-Plain	22	104-3008	2	Pin-Spring
5	104-2993	1	Bracket-Rod, Brake	23	104-3009	1	Screw-Hex
6	108-8708	1	Cap-Bypass Lever, Hydro	24	104-3016	2	Pin-Cotter
7	104-2995	1	Rod-Lever, Bypass	25	104-3011	1	Bracket-Rod, Brake
8	104-3324	1	Lever-Bypass	26	104-3012	1	Spring
9	104-3193	2	Washer	27	104-3323	1	Plate-Bypass
10	104-2997	1	Pin-Cotter	28	104-3014	2	Stirrup
11	104-3018	1	Pad-Pedal	29	104-3015	1	Stirrup
12	114-3246	1	Pedal-Brake	30	33095-00	2	Washer-Flat
14	33024-00	2	Nut-Lock	31	104-3247	1	Cap
15	104-3002	1	Spring-Brake	32	106-5768	1	Washer
16	104-3003	1	Rod-Connecting, Brake	33	106-5769	1	Washer
17	104-3246	1	Shaft-Brake	34	106-5770	4	Washer
18	104-3005	1	Spring-Brake, Hand	35	106-5771	1	Washer



## Operation - Travel Pedal Assembly

<i>Ref.</i>	<i>Part Number</i>	<i>Qty.</i>	<i>Description</i>	<i>Ref.</i>	<i>Part Number</i>	<i>Qty.</i>	<i>Description</i>
1	104-3017	1	Pedal-Rear, Travel	12	104-3016	2	Pin-Cotter
2	104-3018	2	Pad-Pedal	13	104-3027	2	Pin-Cotter
3	114-3248	1	Pedal-Travel, Forward	14	104-3028	1	Spacer
5	104-3021	1	Rod-Travel	15	104-3029	1	Pin
6	104-3022	1	Rod-Tie	16	33014-00	2	Nut-Hex
7	104-3023	1	Shaft-Diagonal	17	33114-060	1	Screw-HH
8	104-3024	1	Link-Formed	18	104-3008	2	Pin-Spring
9	104-3025	1	Shaft-Diagonal	19	104-3030	1	Pin-Spring
10	104-3026	1	Pin	20	104-3031	1	Washer
11	33095-00	3	Washer-Flat	21	33114-025	1	Screw-HH

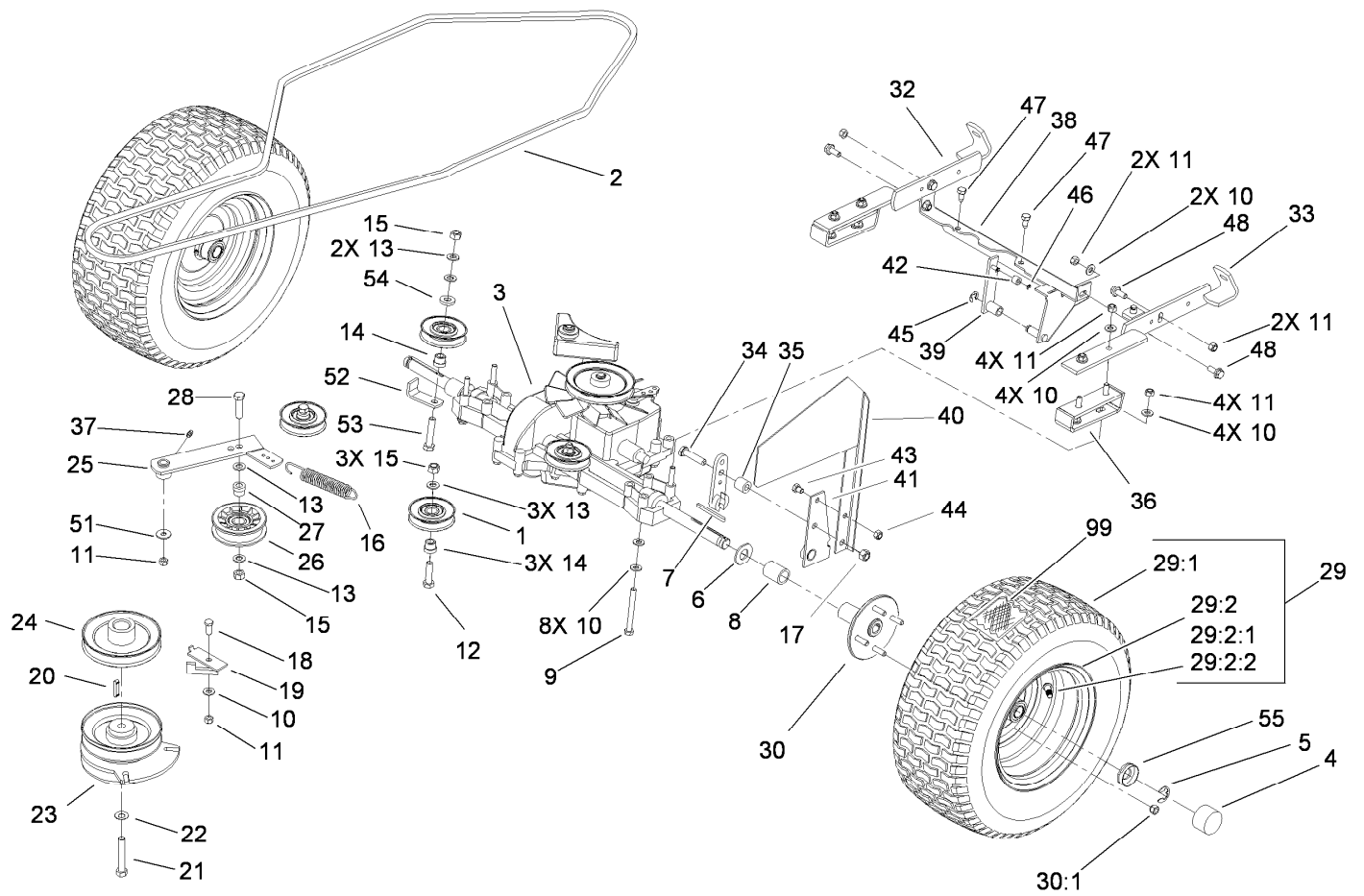


## Transmission Assembly

Ref.	Part Number	Qty.	Description
1	104-2887	4	Pully-Idler
2	104-2888	1	V-Belt-Traction
3	114-3155	1	Transmission
4	104-2857	2	Cap-Hub
5	104-2891	2	Clip-Spring
6	104-3206	2	Washer
7	104-2892	2	Key-Square
8	104-2895	2	Spacer-Axle
9	33114-080	4	Screw-HH
10	33094-00	19	Washer-Plain
11	33024-00	14	Nut-Lock
12	33115-040	3	Screw-HH
13	33095-00	7	Washer-Flat
14	104-2896	4	Bushing-Idler
15	33025-00	5	Nut-Lock
16	104-2897	1	Spring
17	33025-00	1	Nut-Lock
18	33114-020	1	Screw-HH
19	104-2898	1	Retainer
20	104-2899	1	Key-Square
21	3212-10	1	Screw-HH
22	93-9043	1	Washer-Spring, Belleville
23	104-3334	1	Clutch-Electric
24	104-2911	1	Pulley-Engine
25	104-2912	1	Arm-Idler
26	104-2913	1	Pulley-Idler

Ref.	Part Number	Qty.	Description
27	104-2896	1	Bushing-Idler
28	33115-040	1	Screw-HH
29	107-8929	2	Tire And Wheel ASM
29:1	99-2994	1	Tire
29:2	107-8932	1	Wheel ASM
29:2:1		1	Rim ●
29:2:2	106-8596	1	Valve-Tire
30	108-8718	2	Hub-Wheel
30:1	108-8717	4	Nut-Lug
32	106-8594	1	Bracket-Right
33	106-8593	1	Bracket-Left
34	33115-045	1	Screw-HH
35	104-2925	1	Sleeve
36	104-3343	2	Plate-Reinforcing
37	104-2904	1	Fitting-Grease
38	104-3327	1	Bar ASM
39	104-3328	1	Arm-Switch
40	104-3325	1	Arm-Control, Cruise
41	104-3326	1	Tenon
42	104-3329	1	Roller
43	33114-010	1	Screw-HH
44	33024-00	1	Nut-Lock
45	104-3341	1	Stirrup
46	104-3014	1	Stirrup
47	104-3344	2	Screw-Thread Forming
48	104-3065	4	Screw-Hex

● Not serviced separately

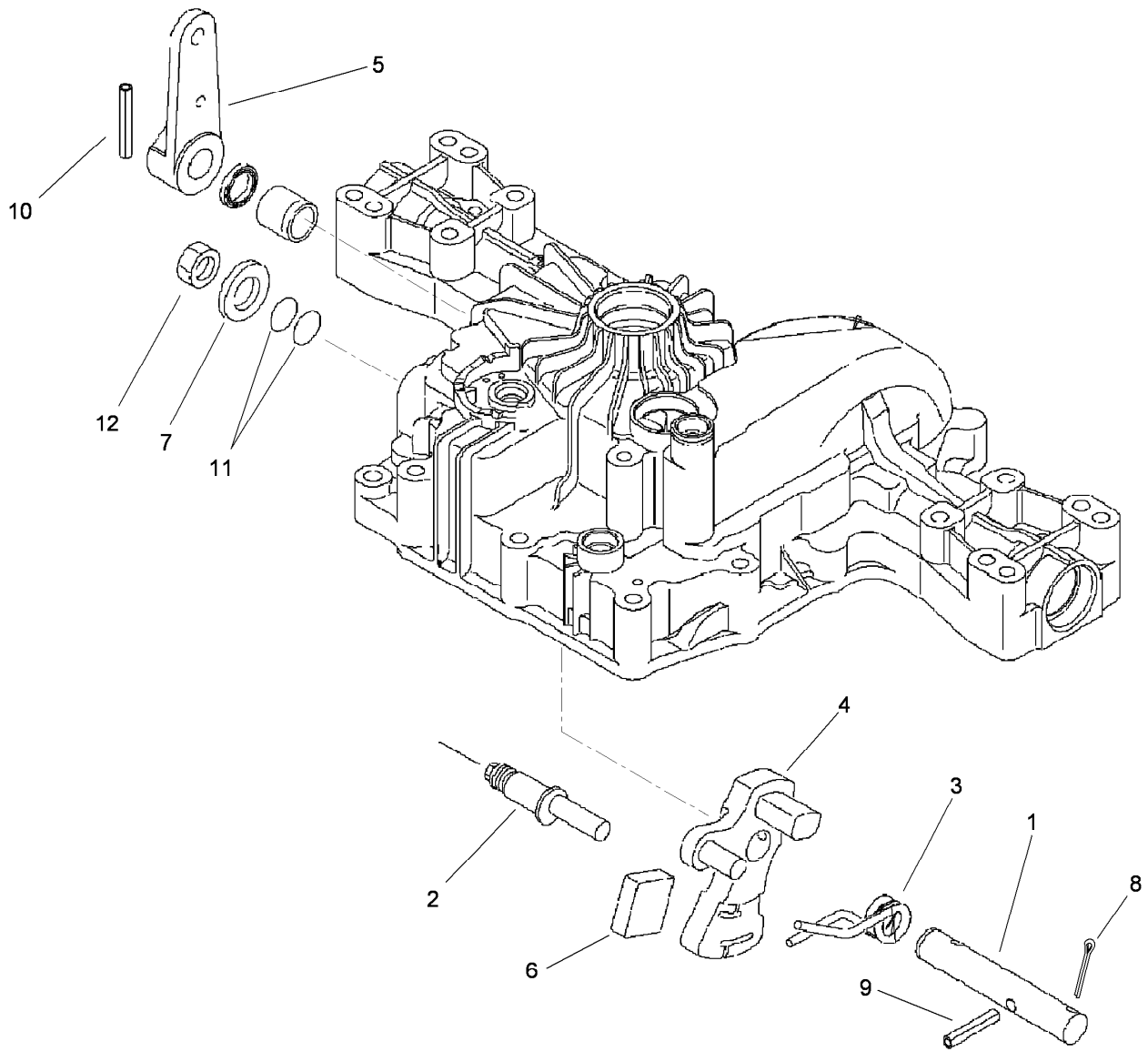


## Transmission Assembly (continued)

Ref.	Part Number	Qty.	Description
51	104-2946	2	Washer-Plain
52	108-8732	1	Retainer-Belt
53	33115-050	1	Screw-HH

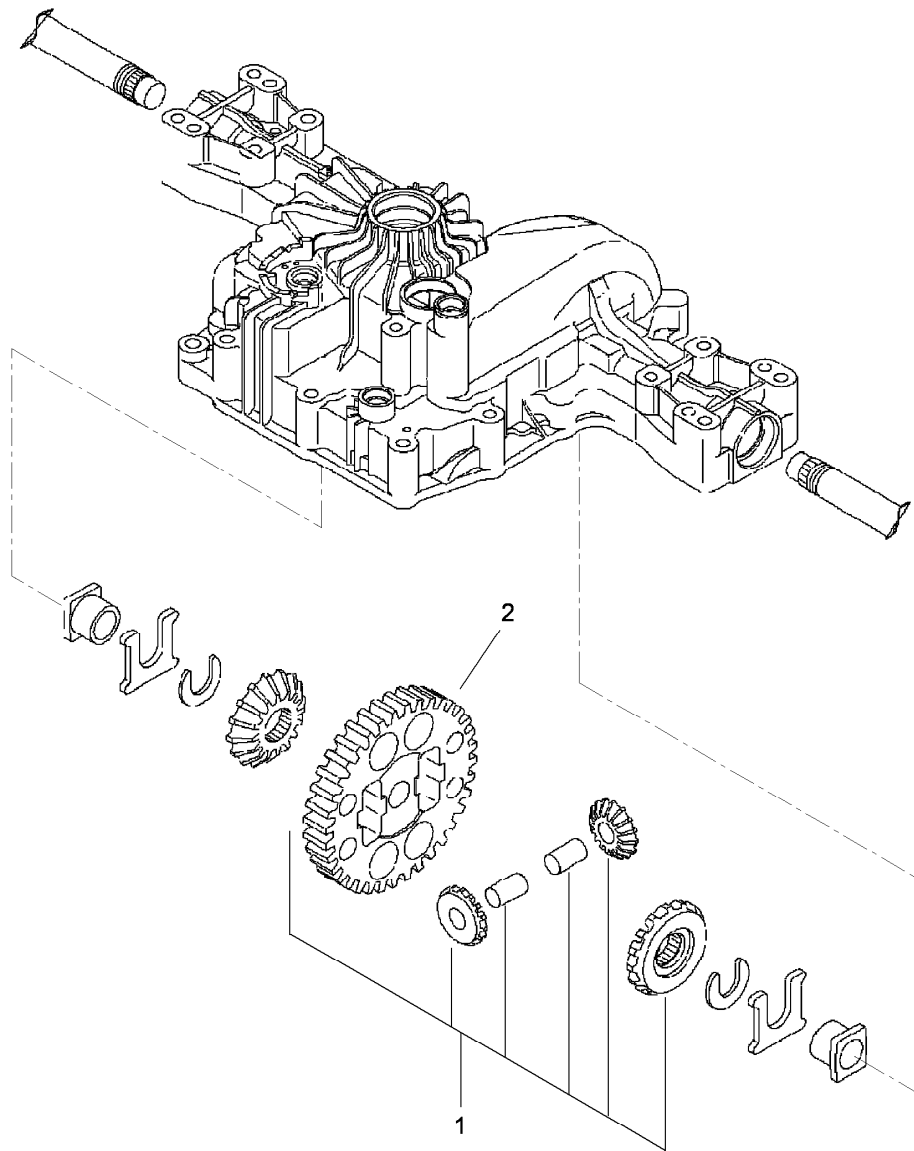
Ref.	Part Number	Qty.	Description
54	108-8709	1	Washer-Flat
55	107-8998	2	Retainer-Cap, Hub
99	232-37	1	Tube

● Not serviced separately



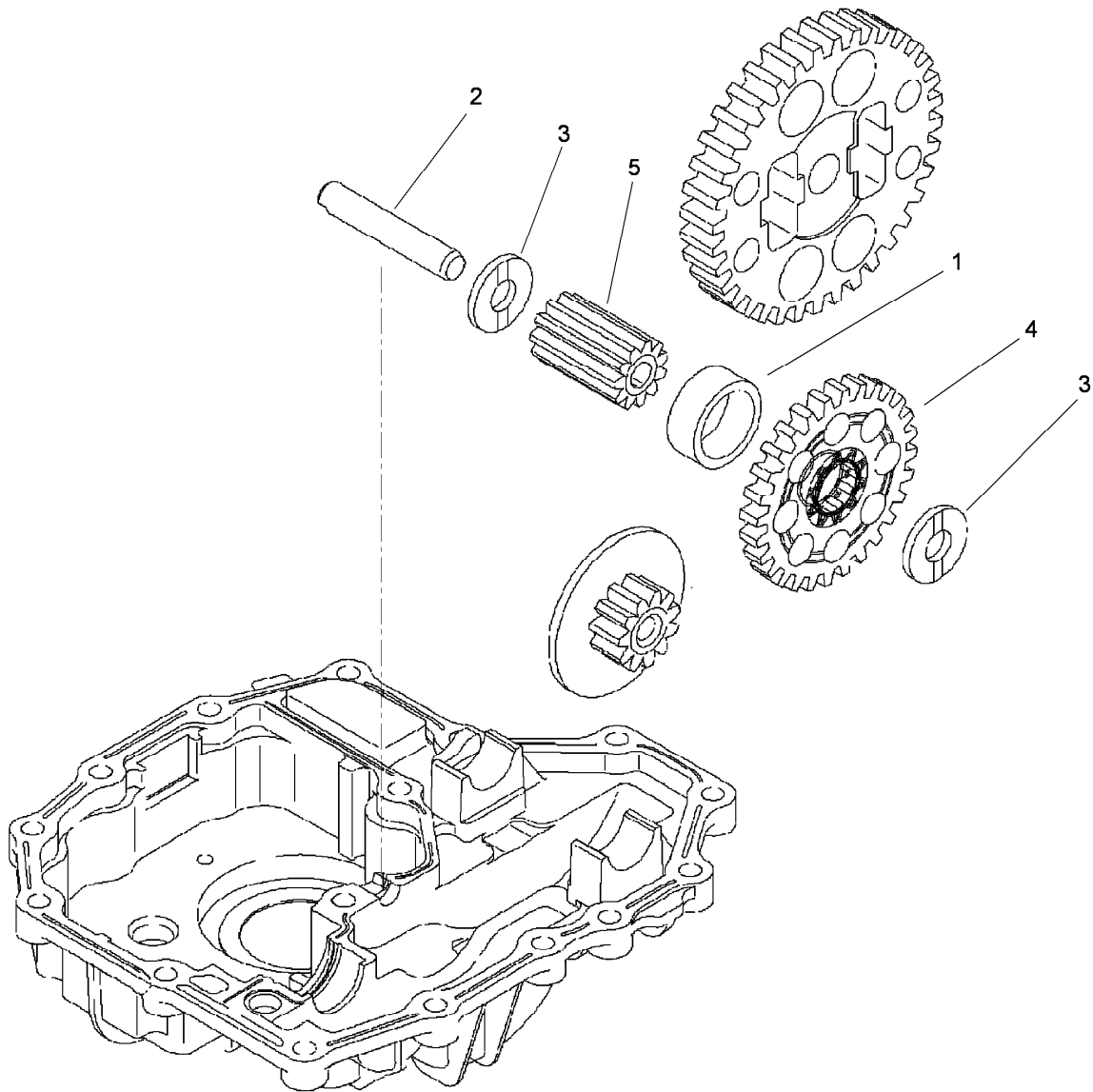
## Control Shaft Assembly Transmission Assembly No. 114-3155

<i>Ref.</i>	<i>Part Number</i>	<i>Qty.</i>	<i>Description</i>
1	114-3181	1	Shaft-Control
2	104-3292	1	Fulcrum-Eccentricity
3	114-3217	1	Spring-Torsion
4	114-3180	1	Arm-Control
5	104-3342	1	Arm-Transaxle
6	104-3296	1	Plate-Jerky
7	93-0417	1	Washer
8	114-3182	1	Pin-Cotter
9	104-3297	1	Pin
10	93-0411	1	Pin-Roll
11	104-3298	2	Packing
12	93-0420	1	Nut



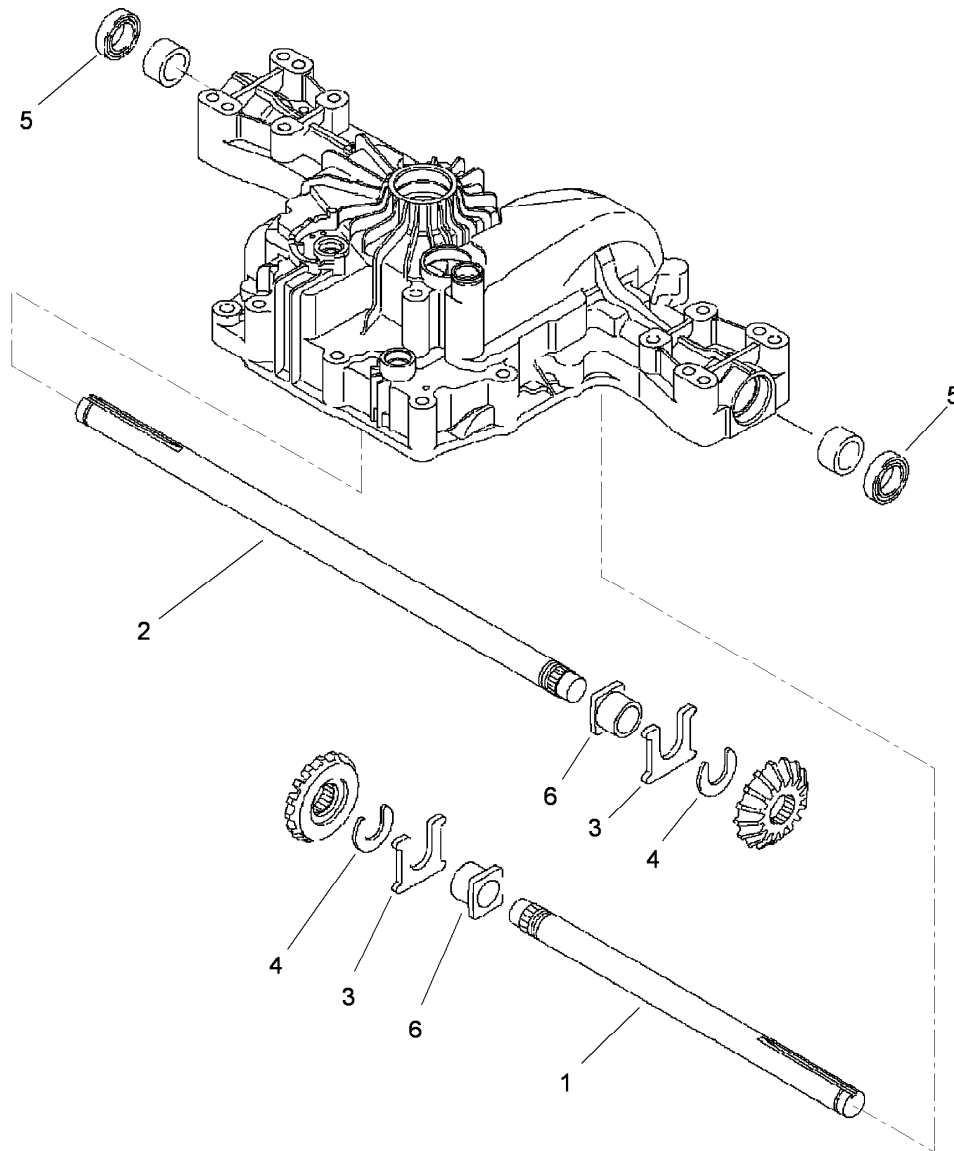
## Differential Gear Assembly Transmission Assembly No. 114-3155

<i>Ref.</i>	<i>Part Number</i>	<i>Qty.</i>	<i>Description</i>
1	104-3299	1	Differential Gear Kit
2	104-3301	1	Gear-Final



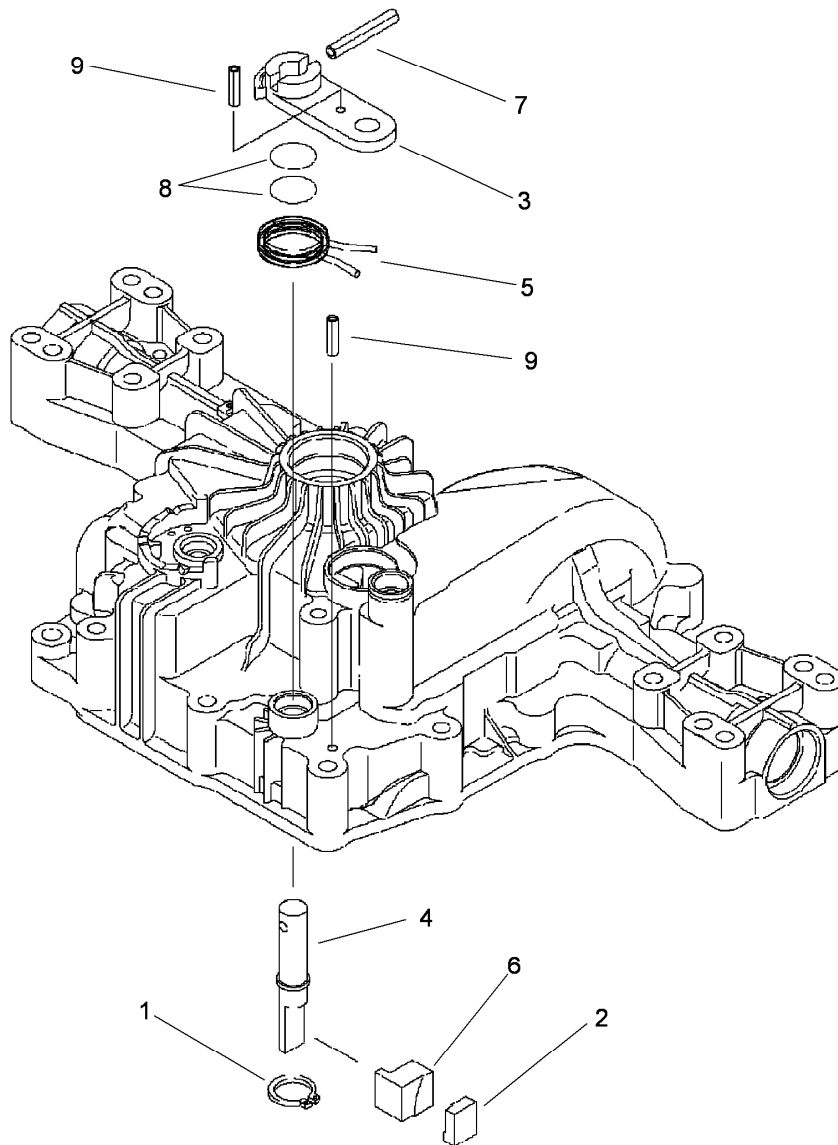
## Final Pinion Assembly Transmission Assembly No. 114-3155

<i>Ref.</i>	<i>Part Number</i>	<i>Qty.</i>	<i>Description</i>
1	104-3302	1	Collar-Final Pinion
2	104-3303	1	Shaft-Reduction
3	104-3304	2	Washer
4	104-3305	1	Gear-Reduction
5	104-3306	1	Pinion-Final



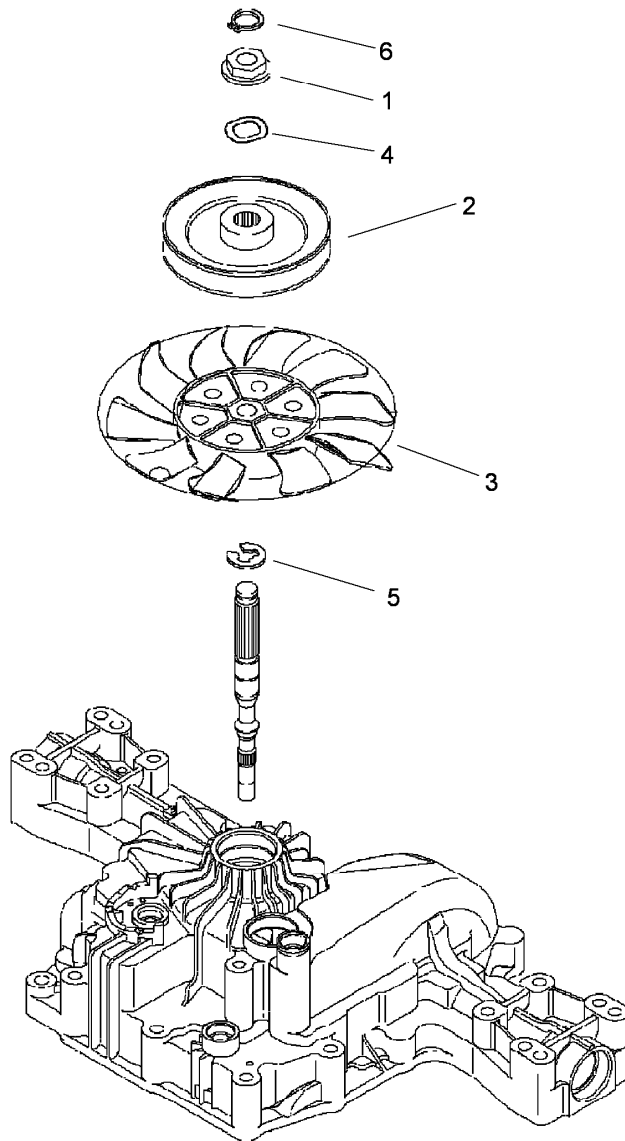
## Axle Shaft Assembly Transmission Assembly No. 114-3155

<i>Ref.</i>	<i>Part Number</i>	<i>Qty.</i>	<i>Description</i>
1	104-3307	1	Shaft-Axle, LH
2	104-3308	1	Shaft-Axle, RH
3	104-3309	2	Washer-Thrust
4	104-3310	2	Ring
5	104-3311	2	Seal
6	104-3312	2	Bushing



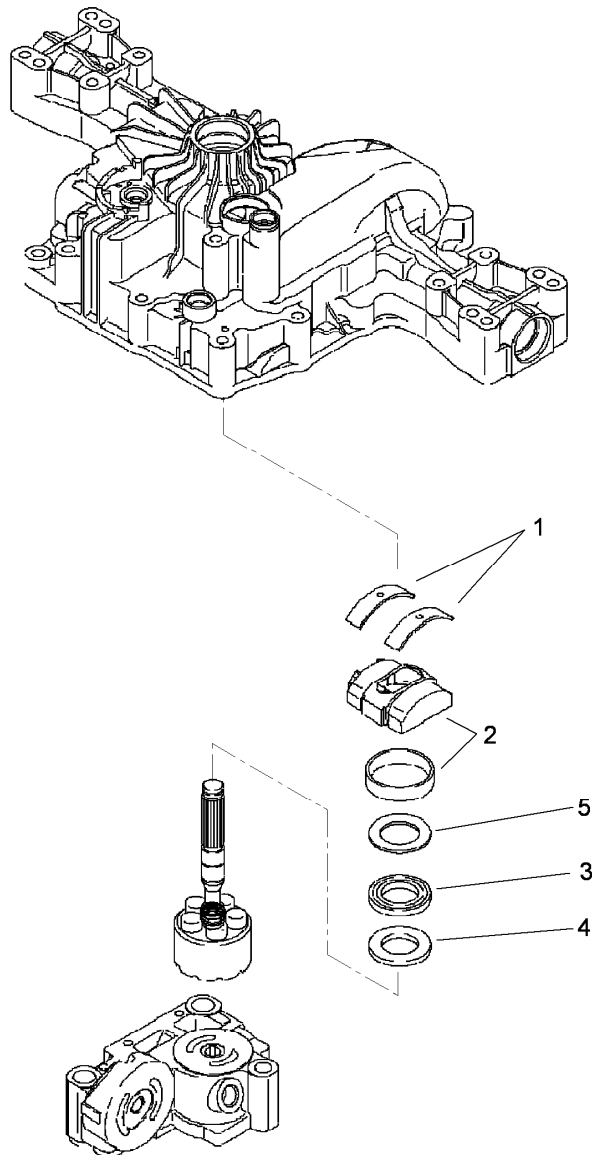
## Brake Assembly Transmission Assembly No. 114-3155

<i>Ref.</i>	<i>Part Number</i>	<i>Qty.</i>	<i>Description</i>
1	104-3313	1	Ring
2	104-3314	1	Shoe-Brake
3	104-3315	1	Arm-Brake
4	104-3316	1	Shaft-Brake
5	104-3317	1	Spring-Return, Brake
6	104-3318	1	Actuator-Brake
7	92-0767	1	Pin
8	93-0418	2	O-Ring
9	104-3319	2	Pin



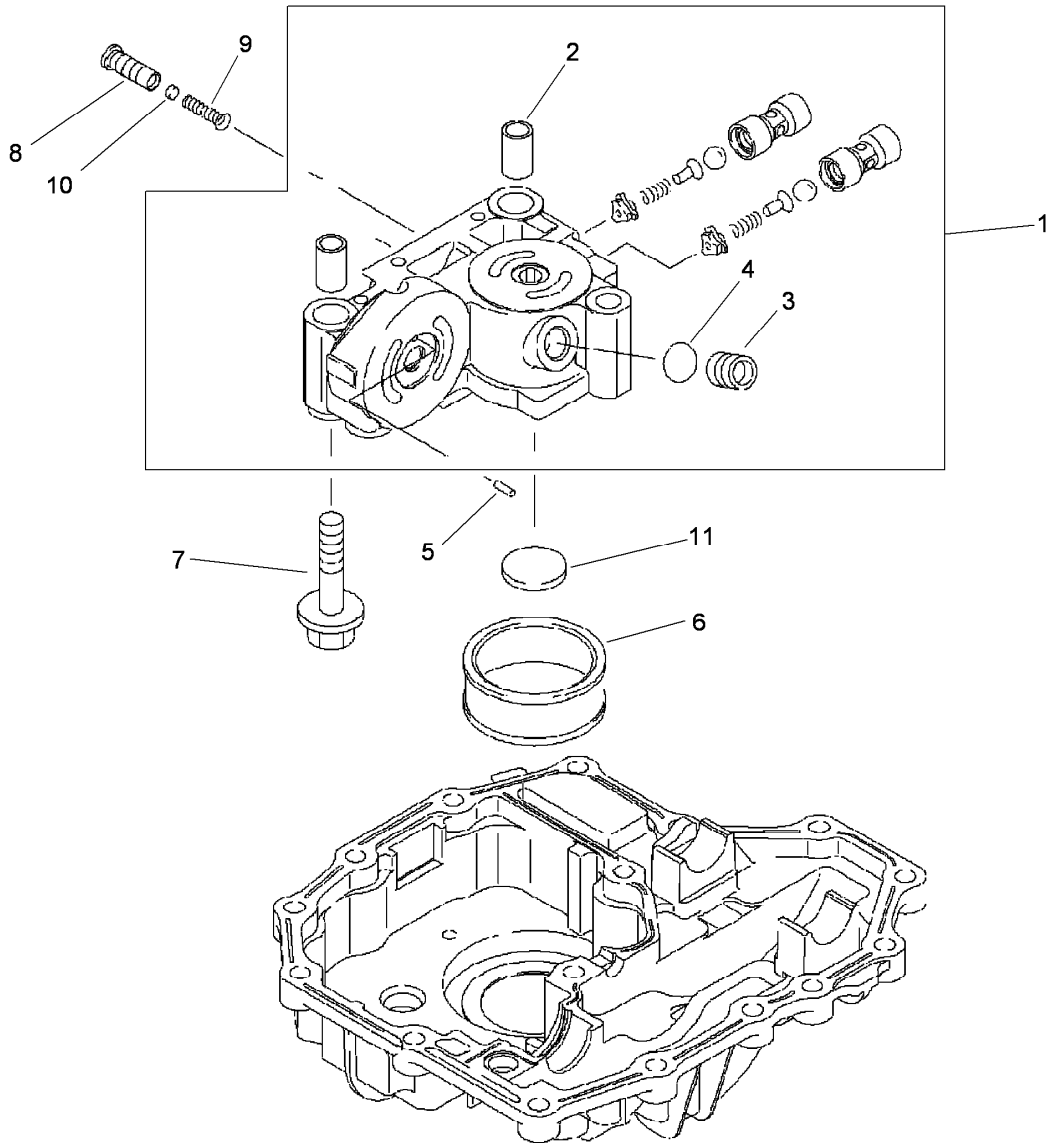
## Fan Pulley Assembly Transmission Assembly No. 114-3155

<i>Ref.</i>	<i>Part Number</i>	<i>Qty.</i>	<i>Description</i>
1	104-3320	1	Collar-Spline
2	104-3197	1	Pulley-Transmission
3	104-3199	1	Fan- Transmission
4	104-3321	1	Washer-Lock
5	93-0387	1	E-Ring
6	104-3198	1	E-Ring



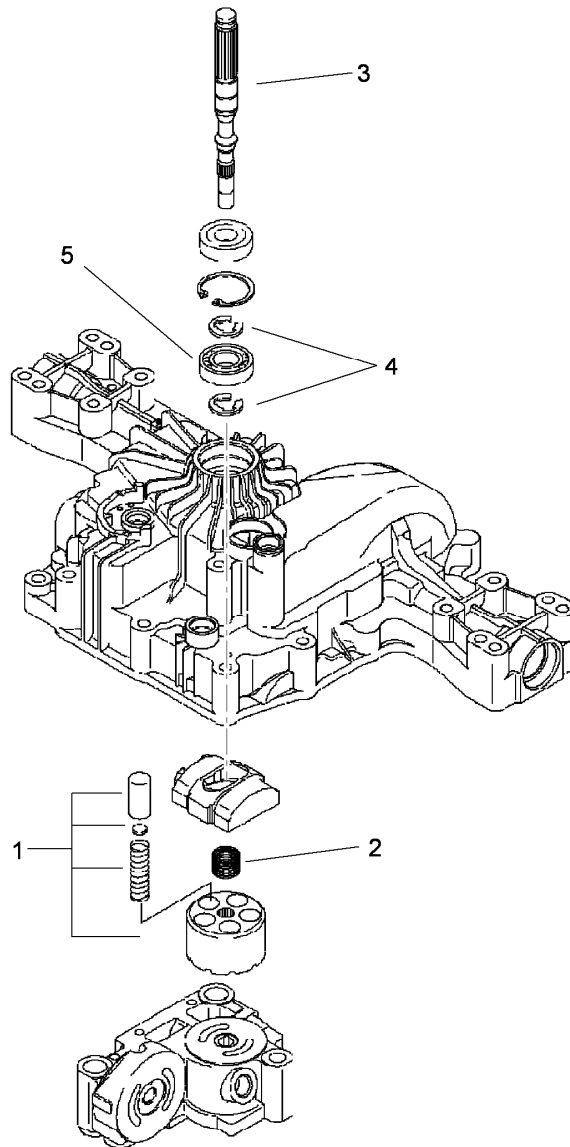
## Range Shift Assembly Transmission Assembly No. 114-3155

<i>Ref.</i>	<i>Part Number</i>	<i>Qty.</i>	<i>Description</i>
1	104-3286	2	Metal-Thrust
2	104-3287	1	Plate-Swash
3	104-3288	1	Bearing
4	104-3289	1	Plate-Thrust, A
5	104-3290	1	Plate-Thrust, B



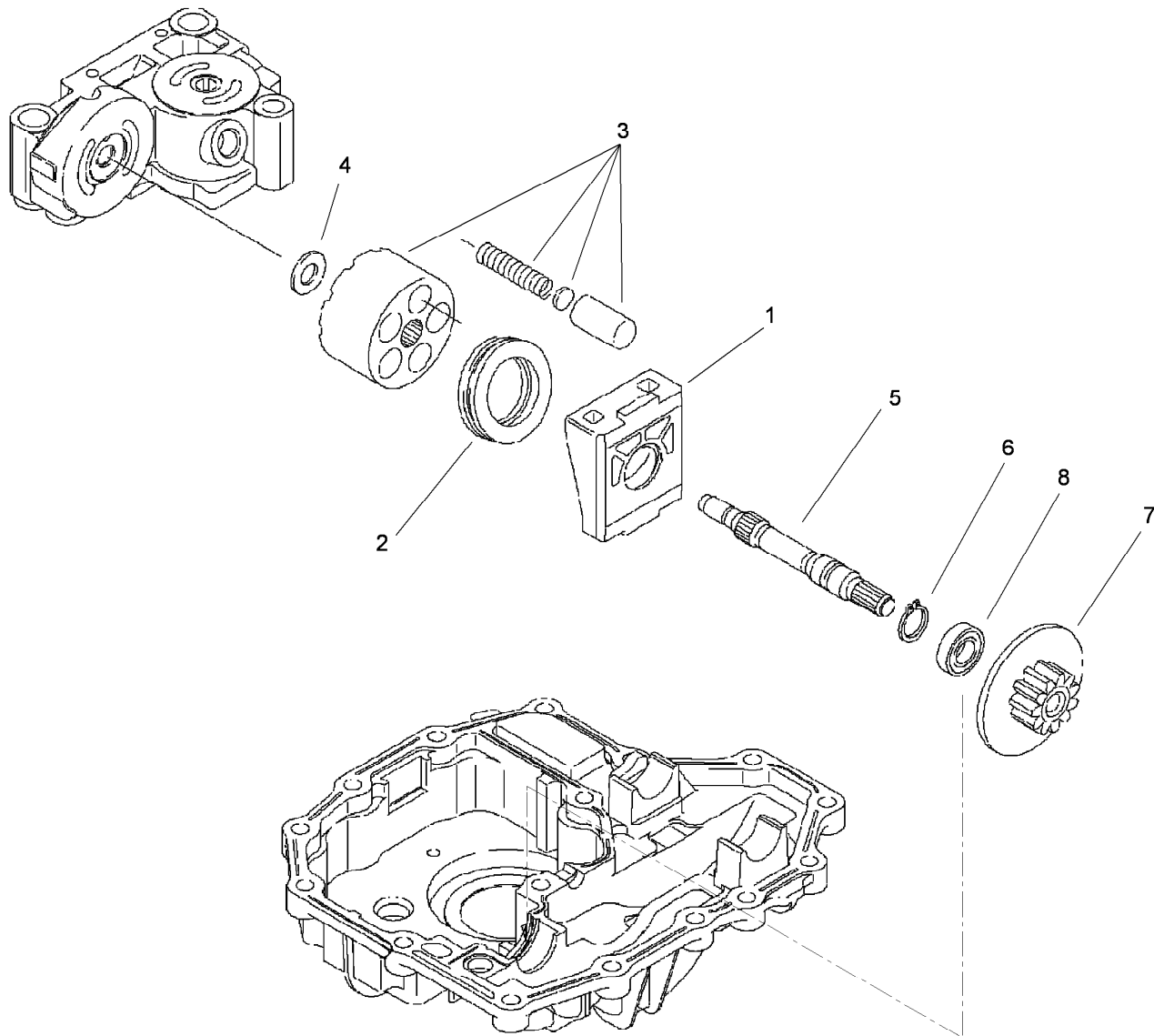
## Center Case Assembly Transmission Assembly No. 114-3155

<i>Ref.</i>	<i>Part Number</i>	<i>Qty.</i>	<i>Description</i>
1	104-3267	1	Case-Center
2	104-3268	2	Pin-Knock
3	104-3269	1	Plug
4	93-0419	1	Packing
5	104-3270	1	Pin
6	104-3271	1	Filter
7	104-3272	3	Bolt
8	104-3273	2	Valve
9	104-3274	2	Spring
10	104-3275	2	Filter
11	104-3257	1	Magnet



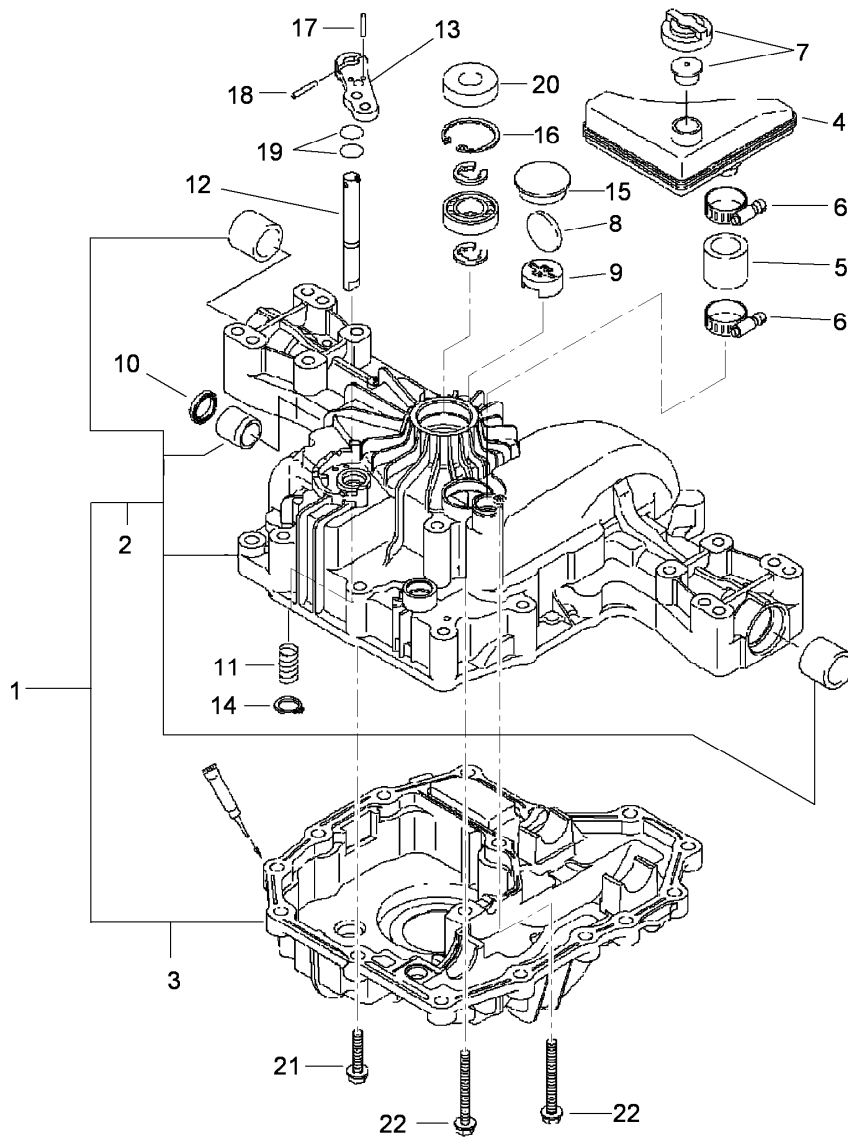
## Pump Shaft Assembly Transmission Assembly No. 114-3155

<i>Ref.</i>	<i>Part Number</i>	<i>Qty.</i>	<i>Description</i>
1	104-3276	1	Block-Cylinder
2	104-3277	1	Spring-Pump
3	104-3278	1	Shaft-Pump
4	93-0387	2	E-Ring
5	93-0374	1	Bearing-Ball



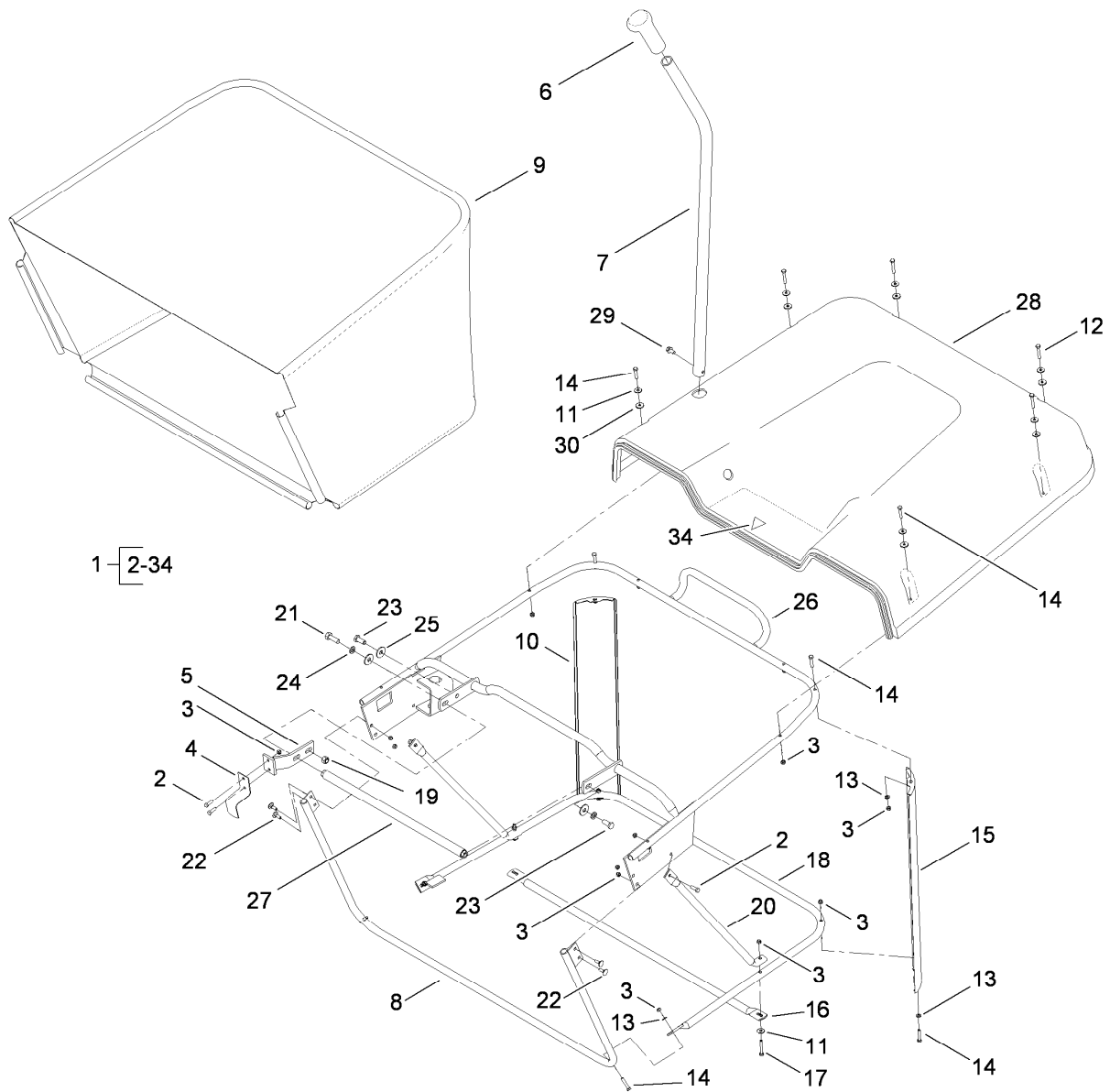
## Motor Shaft Assembly Transmission Assembly No. 114-3155

<i>Ref.</i>	<i>Part Number</i>	<i>Qty.</i>	<i>Description</i>
1	104-3279	1	Housing
2	104-3280	1	Bearing
3	104-3281	1	Block-Cylinder
4	104-3282	1	Washer
5	104-3283	1	Shaft-Motor
6	93-0373	1	Ring-Snap
7	104-3284	1	Motor-Gear
8	104-3285	1	Bearing



## Transaxle Case Assembly Transmission Assembly No. 114-3155

<i>Ref.</i>	<i>Part Number</i>	<i>Qty.</i>	<i>Description</i>	<i>Ref.</i>	<i>Part Number</i>	<i>Qty.</i>	<i>Description</i>
1	104-3251	1	Transaxle Case Set	12	104-3260	1	Shaft-Bypass
2	104-3252	1	Housing-Upper	13	104-3261	1	Lever-Bypass
3	104-3253	1	Housing-Lower	14	104-3262	1	Ring
4	104-2914	1	Tank-Reservoir, With Cap	15	104-3263	1	Plug-Bore
5	104-3254	1	Tube	16	93-0360	1	Ring
6	104-3255	2	Clamp-Miniature	17	104-3264	1	Pin
7	104-3256	1	Valve-Vent, 15	18	104-3265	1	Pin
8	104-3257	1	Magnet	19	93-0419	2	Packing
9	104-3258	1	Holder-Magnet	20	93-0361	1	Seal
10	104-3259	1	Seal-Oil	21	93-0363	14	Screw-TAP
11	93-0396	1	Spring	22	104-3266	2	Screw-Tap

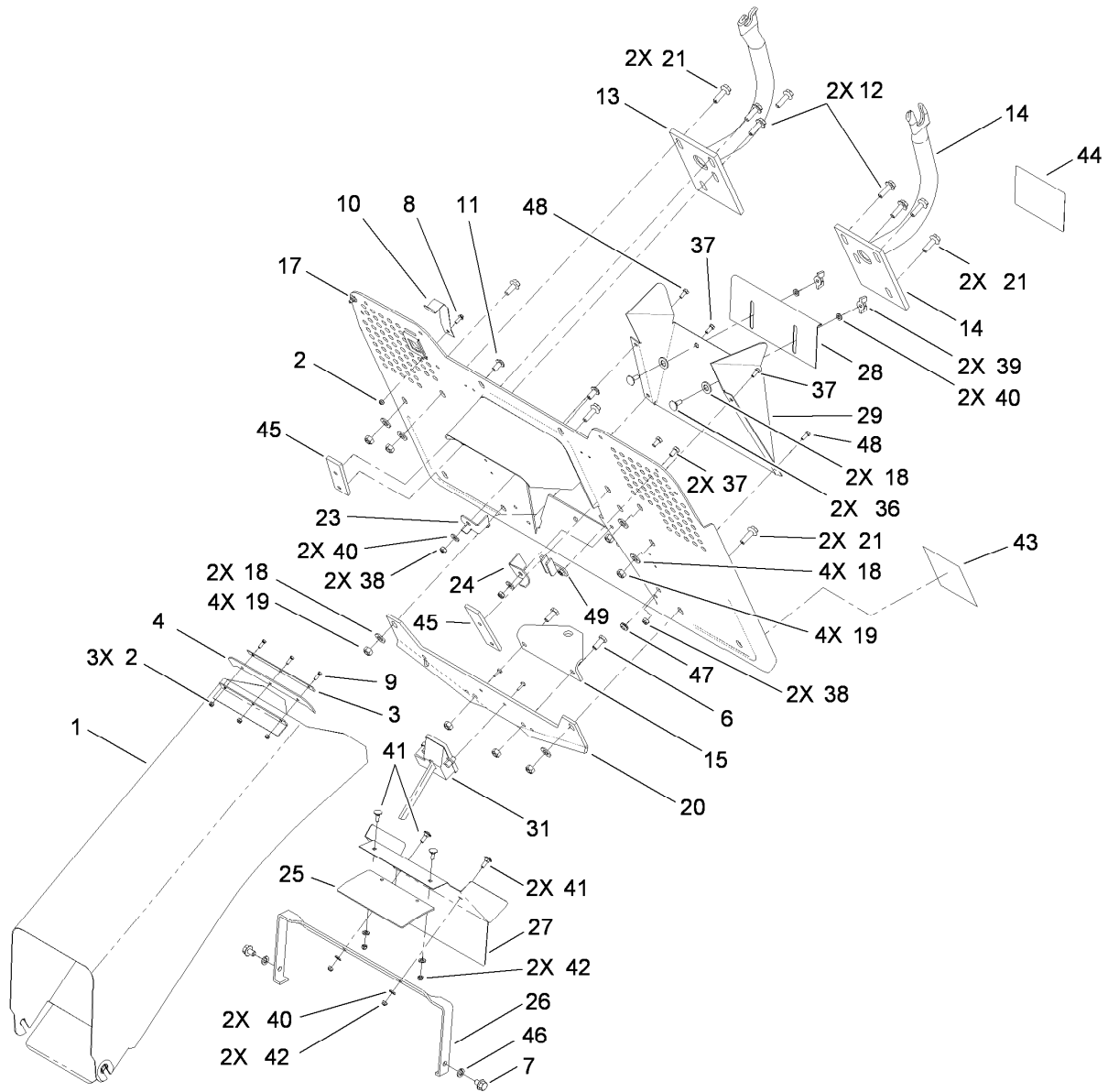


## Grass Collector Assembly

Ref.	Part Number	Qty.	Description
1	106-5760	1	Collector ASM ●
2	60-6910	2	Screw
3	87-5140	22	Nut-Lock
4	104-3033	1	Spring-Coll, Interlock Switch
5	106-5761	1	Bracket-Spring
6	104-3035	1	Grip-Handle
7	107-8917	1	Lever-Dump
8	104-3037	1	Front Frame ASM
9	104-3038	1	Bag-Grass
10	104-3039	1	Support-Corner, Right
11	104-2943	8	Washer-Flat
12	87-5150	4	Bolt
13	52-6430	14	Washer
14	104-3041	10	Screw-Hex
15	104-3042	1	Support-Corner, Left
16	104-3043	1	Brace-Connecting

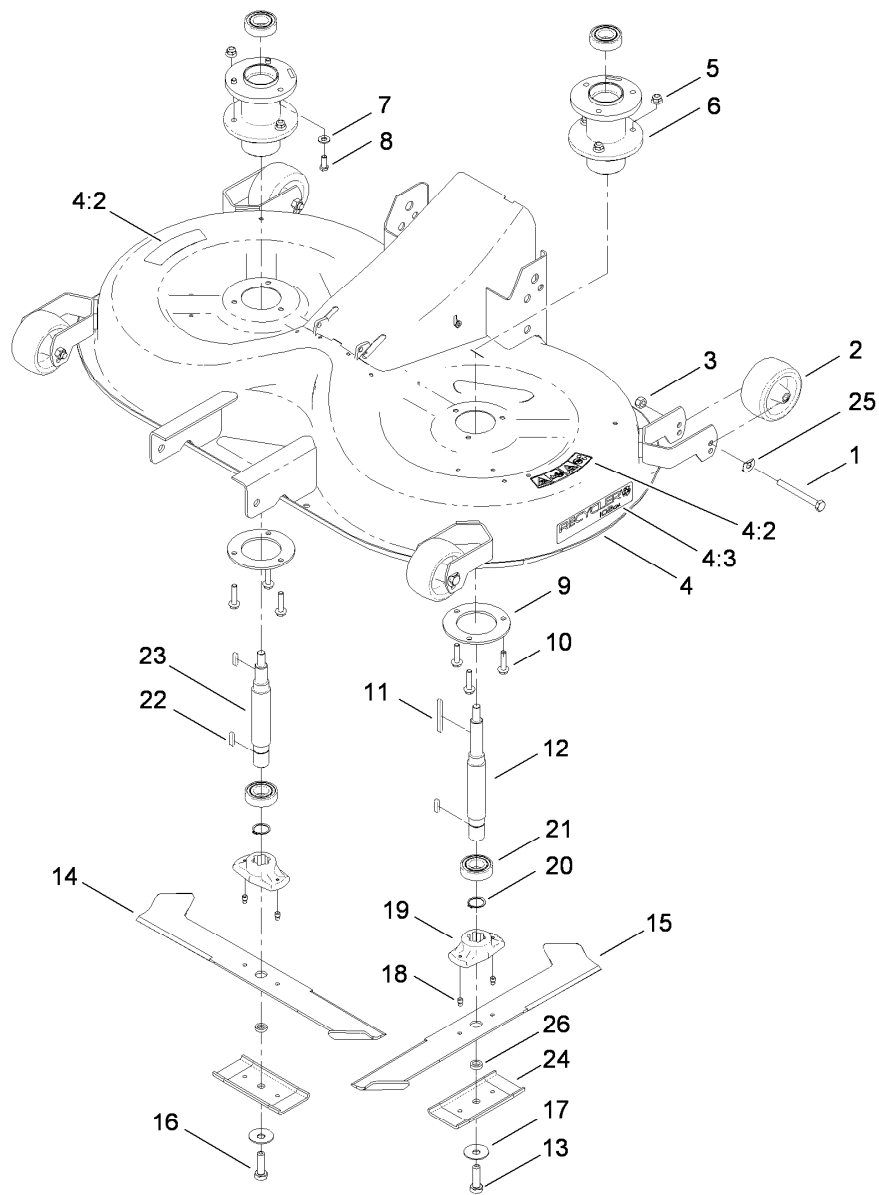
Ref.	Part Number	Qty.	Description
17	104-3044	2	Screw-Hex
18	104-3045	1	Bottom Frame ASM
19	33024-00	1	Nut-Lock
20	104-3046	2	Brace
21	33114-025	1	Screw-HH
22	104-2948	4	Bolt-Carriage
23	33114-020	2	Screw-HH
24	3253-4	2	Washer-Lock
25	104-2946	4	Washer-Plain
26	104-3047	1	Top Frame ASM
27	104-3048	1	Handle-Lift
28	106-5762	1	Cover-Collector
29	106-5763	1	Screw
30	104-2952	6	Washer-Rubber
34	104-3242	1	Decal-Bag To Frame

● Not illustrated



## Tunnel Assembly

Ref.	Part Number	Qty.	Description	Ref.	Part Number	Qty.	Description
1	106-8562	1	Tunnel	25	106-8599	1	Shield-Rubber
2	104-2985	4	Nut-Hex	26	104-3069	1	Bracket-Shield, Protective
3	104-3055	1	Plate-Support	27	104-3070	1	Shield-Protective
4	104-3056	1	Seal-Rubber	28	104-3336	1	Shield-Adjustable
6	33114-020	2	Screw-HH	29	104-3335	1	Hopper-Receiving
7	68-9410	2	Screw-Flange	31	104-3074	1	Overload Switch ASM
8	104-2983	1	Screw	36	104-2961	2	Screw
9	104-3058	3	Screw-SFH	37	33113-012	4	Screw-HH
10	119-2741	1	Bracket-Switch	38	33023-00	4	Nut-Lock
11	104-3060	2	Bolt-Carriage	39	32103-28	2	Nut-Wing
12	104-3061	4	Screw	40	33093-00	6	Washer-Flat
13	104-3062	1	Support-Collector, Right	41	104-2948	4	Bolt-Carriage
14	104-3063	1	Support-Collector, Left	42	87-5140	4	Nut-Lock
15	104-3064	1	Hitch-Tow	43	104-3243	1	Decal-Bypass, Hydro
17	104-3066	1	Collector Plate ASM	44	104-2853	1	Decal-Position, Bagging
18	33095-00	8	Washer-Flat	45	104-3347	2	Plate-Reinforcing
19	33024-00	8	Nut-Lock	46	104-3348	2	Washer-Spring
20	104-3067	1	Support-Hitch, Tow	47	106-5772	1	Bushing
21	104-3068	6	Screw-Hex	48	106-8575	2	Screw-HH
23	106-8597	1	Support-Tunnel, Left	49	110-8688	1	Bracket-Support, Fuel Tank
24	106-8598	1	Support-Tunnel, Right				

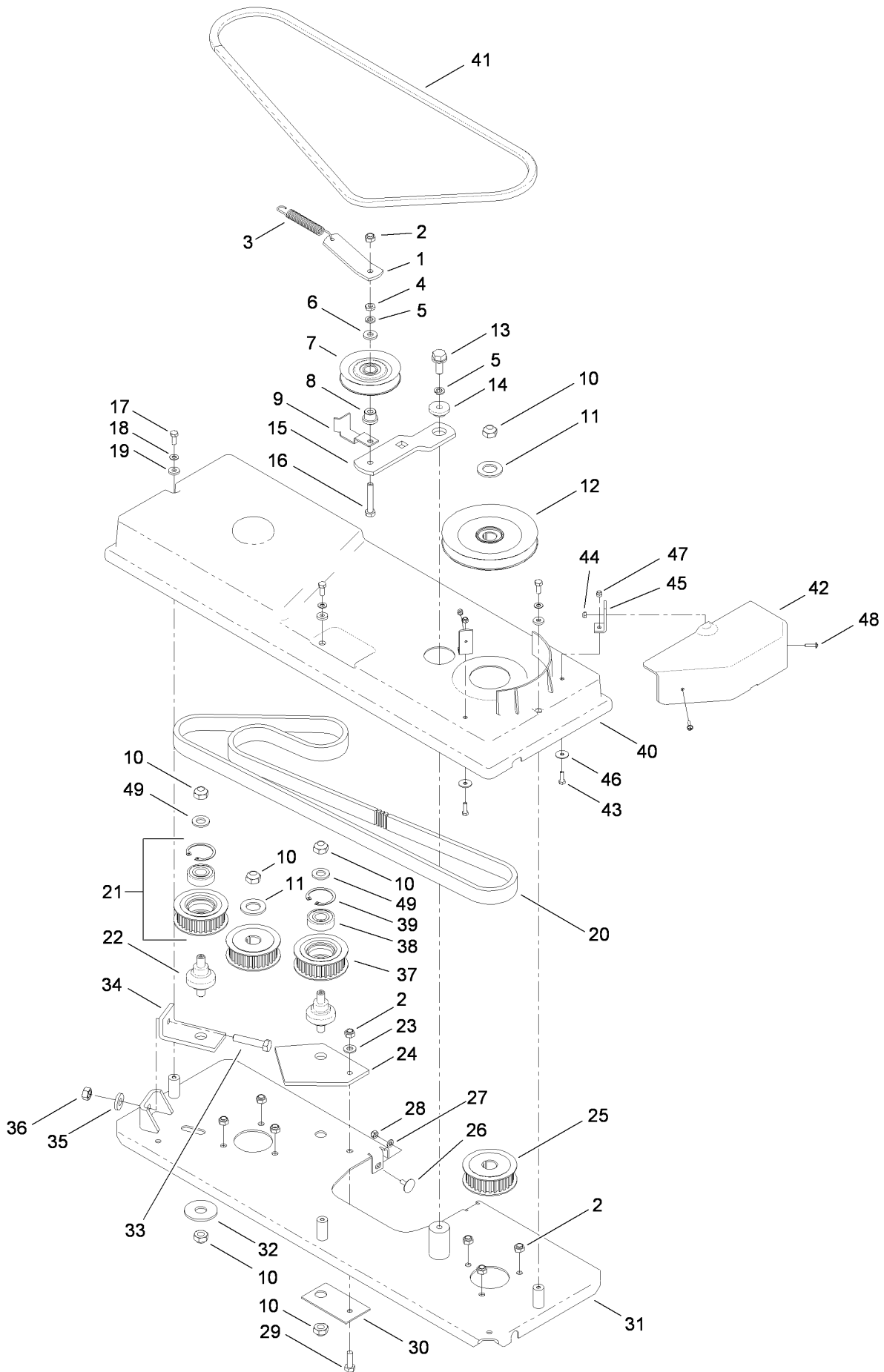


## Cutting Pan and Mower Housing Assembly

Ref.	Part Number	Qty.	Description
1	33115-090	4	Screw-HH
2	104-3080	4	Wheel-Gauge
3	33025-00	4	Nut-Lock
4	110-9071	1	Deck ASM
4:2	119-2726	2	Decal-Danger, Tractor
4:3	119-2727	1	Decal-Recycler
5	104-3082	6	Nut-Lock, HF
6	107-8992	2	Housing-Spindle
7	33094-00	6	Washer-Plain
8	33114-020	6	Screw-HH
9	104-3084	2	Support-Ring
10	104-3085	6	Bolt-HHF
11	104-3086	1	Key
12	106-8565	1	Shaft-Blade, Left

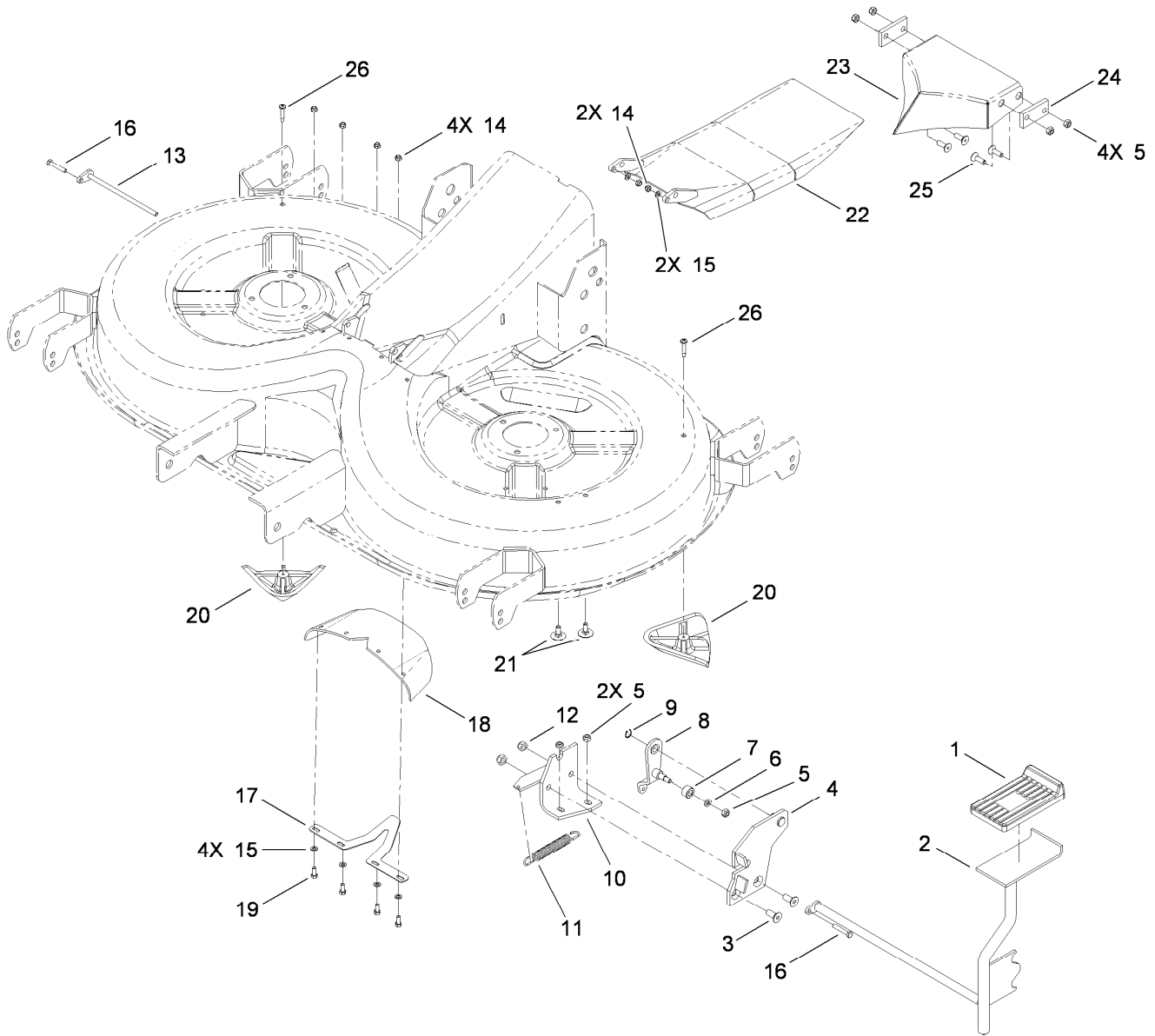
Ref.	Part Number	Qty.	Description
13	106-5797	1	Bolt-HH, Blade
14	106-8557	1	Blade-RH
15	106-8558	1	Blade-LH
16	106-5798	1	Bolt-Blade, HH
17	106-6532	2	Washer-Blade
18	104-3093	4	Pin-Shear, Grooved
19	106-4185	2	Adapter-Blade
20	104-3095	2	Ring-Locking
21	104-6325	4	Bearing-Ball
22	104-3097	3	Key-Square
23	106-8566	1	Shaft-Blade, Right
24	106-6533	2	Stiffener-Blade
25	106-5767	4	Washer
26	106-6530	2	Spacer

# Cutting Pan and Drive System Assembly



# Cutting Pan and Drive System Assembly (continued)

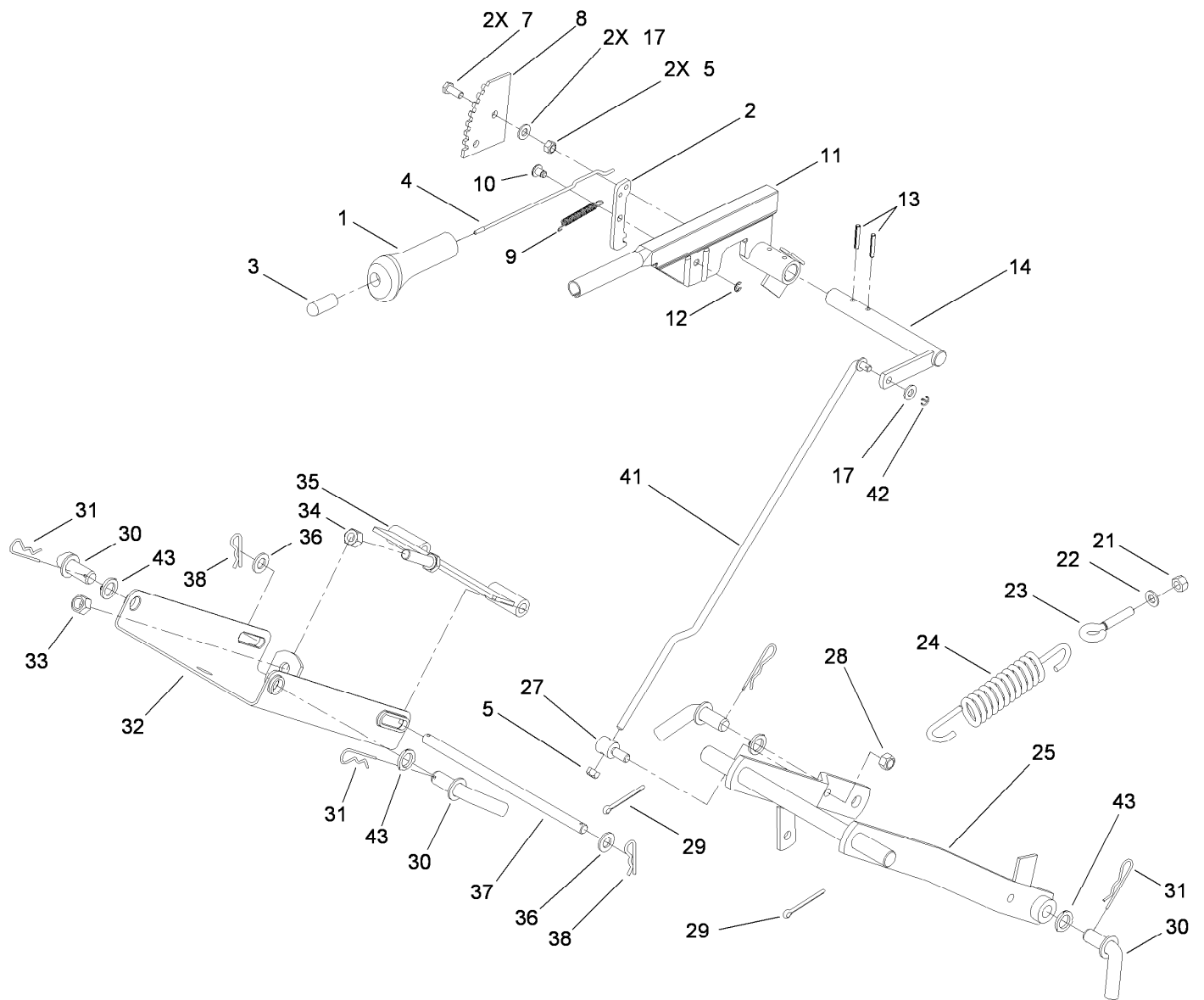
<i>Ref.</i>	<i>Part Number</i>	<i>Qty.</i>	<i>Description</i>	<i>Ref.</i>	<i>Part Number</i>	<i>Qty.</i>	<i>Description</i>
1	104-3099	1	Lever-Engagement	26	33123-016	2	Screw-CARR
2	48-9510	8	Nut	27	33093-00	2	Washer-Flat
3	104-3101	1	Spring	28	33023-00	2	Nut-Lock
4	57-6390	1	Nut-Jam	29	33114-025	3	Screw-HH
5	3253-4	1	Washer-Lock	30	104-3117	1	Plate-Anchor
6	106-8588	1	Washer-Flat	31	107-8996	1	Plate-Drive, Blade
7	104-3103	1	Pulley-Idler	32	104-2909	1	Washer
8	104-3104	1	Bushing	33	33115-050	1	Screw-HH
9	104-3105	1	Retainer-Belt	34	104-3120	1	Bracket-Idler
10	48-9540	6	Nut-Lock, Hex NI	35	108-8709	1	Washer-Flat
11	33099-00	4	Washer-Flat	36	48-9520	1	Nut
12	104-3107	1	Pulley-Drive	37	104-3121	1	Pulley-Cog
13	33105-025	1	Screw-HHF	38	100-1048	1	Bearing-Ball
14	107-8995	1	Shim-Arm, Idler	39	104-3123	1	Ring-Locking
15	104-3109	1	Arm-Idler	40	106-8589	1	Belt-Cover
16	33114-050	1	Screw-HH	41	104-3126	1	V-Belt
17	33113-016	3	Screw-HH	42	107-8941	1	Guard-Belt
18	106-8568	3	Washer-Flat	43	60-6910	2	Screw
19	83-7420	3	Washer-Rubber	44	87-5140	2	Nut-Lock
20	106-8591	1	Belt-Cog	45	107-8940	2	Bracket
21	104-3113	2	Cog Pulley ASM	46	3256-61	4	Washer-Flat
22	104-3114	2	Pin-Pulley, Cog	47	46-0430	2	Nut-Lock
23	33094-00	1	Washer-Plain	48	107-8918	2	Screw
24	104-3115	1	Support-Pulley	49	33096-00	2	Washer-Flat
25	104-3116	2	Pulley-Cog, Drive				



## Cutting Pan and Bag on Demand Assembly

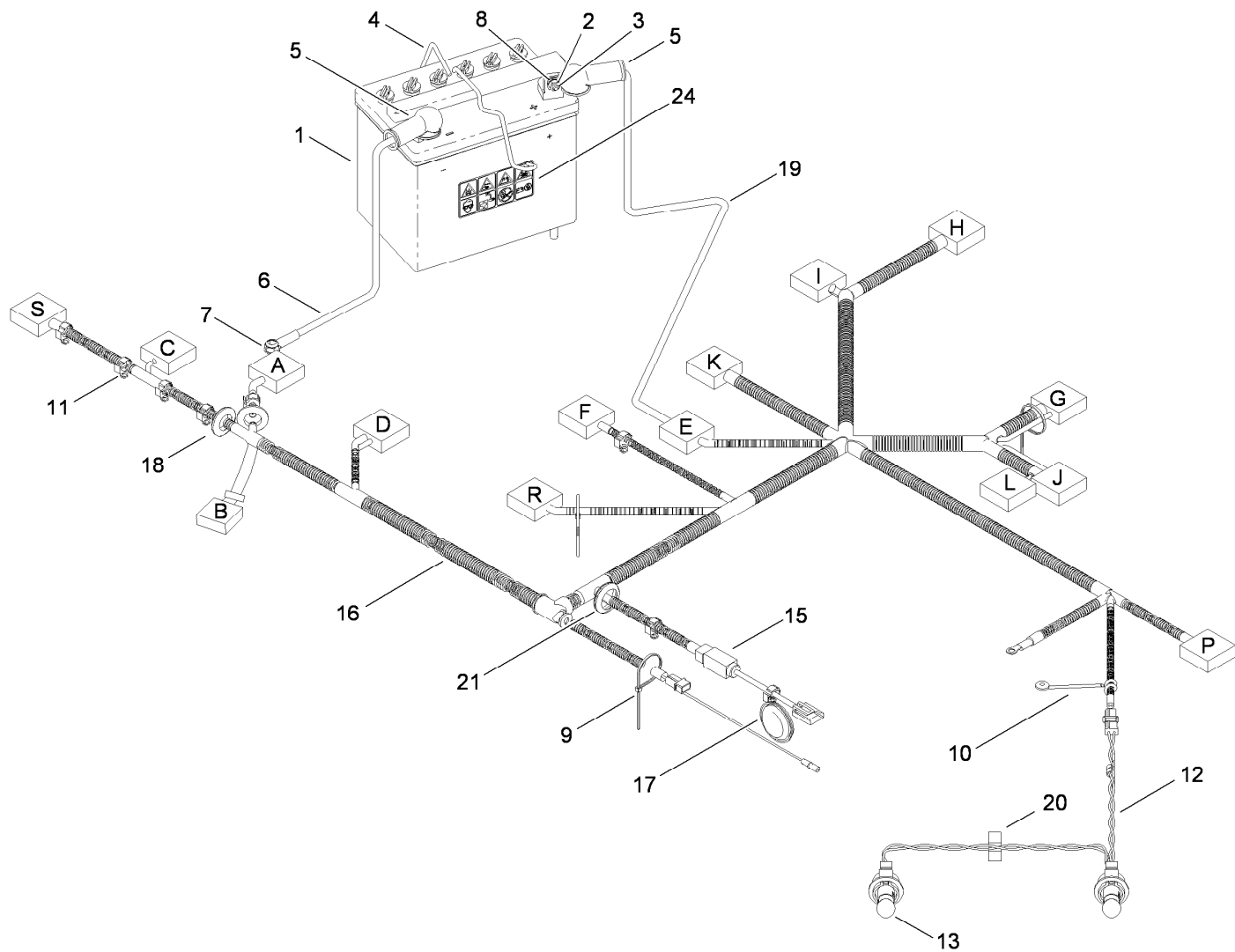
Ref.	Part Number	Qty.	Description
1	106-8583	1	Cover-Lever, Foot
2	106-8582	1	Lever-Footer
3	100-8159	2	Screw-HSFH
4	106-8578	1	Plate-Stop
5	33023-00	7	Nut-Lock
6	33093-00	1	Washer-Flat
7	106-8581	1	Roller
8	106-8579	1	Lever-Spring
9	106-8592	1	Ring-Locking
10	106-8577	1	Bracket-Mounting
11	106-8580	1	Spring
12	48-9510	2	Nut
13	106-8585	1	Rod-Door, Mulch

Ref.	Part Number	Qty.	Description
14	87-5140	6	Nut-Lock
15	52-6430	6	Washer
16	87-5150	2	Bolt
17	106-8567	2	Guide
18	106-8586	1	Gasket-Door, Mulch
19	106-8575	4	Screw-HH
20	106-8587	2	Kicker
21	33123-016	2	Screw-CARR
22	107-8968	1	Door-Mulch
23	106-8573	1	Baffle-Center
24	106-8572	2	Plate-Baffle, Center
25	106-8574	4	Screw
26	104-1451	2	Screw-TAP, PPH



## Mower Lift Assembly

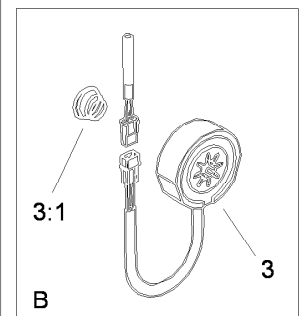
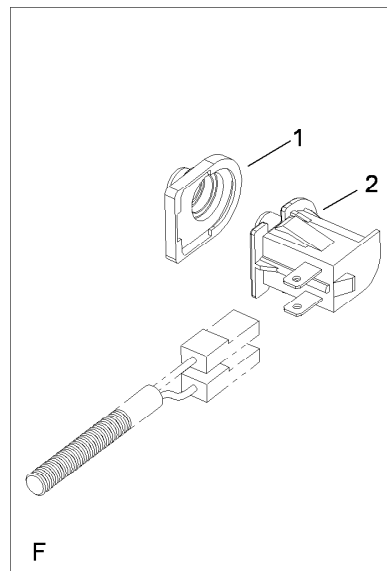
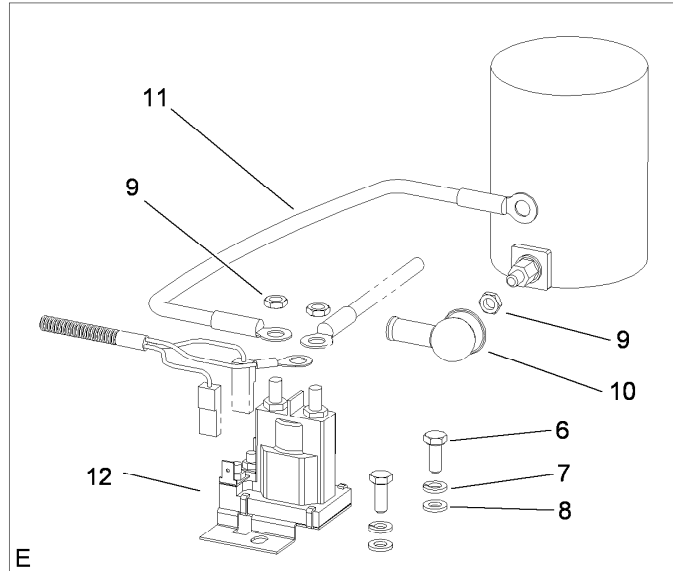
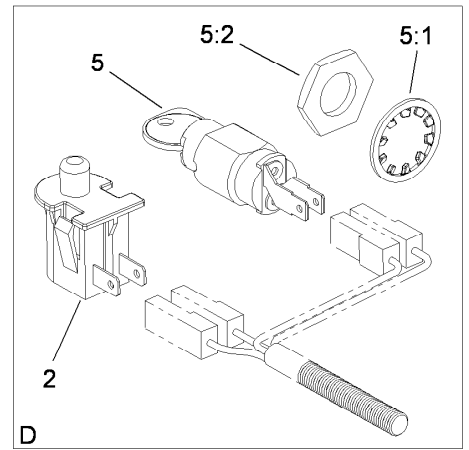
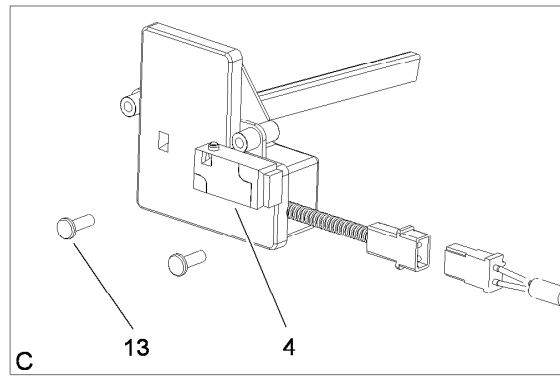
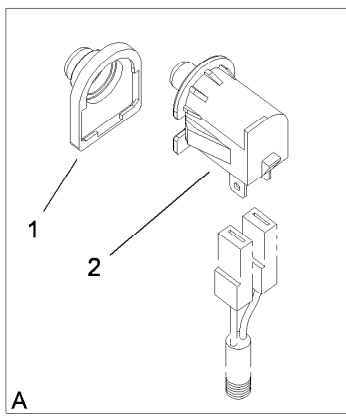
Ref.	Part Number	Qty.	Description	Ref.	Part Number	Qty.	Description
1	104-3129	1	Grip-Handle	25	104-3141	1	Pivot Arm ASM
2	104-3130	1	Ratchet-Plate, Pivot	27	104-3142	1	Pin-Lifting
3	104-3131	1	Button-Plunger	28	33025-00	1	Nut-Lock
4	104-3132	1	Rod-Connection	29	104-3016	2	Pin-Cotter
5	33024-00	3	Nut-Lock	30	104-3143	4	Pin-Bent
7	33114-020	2	Screw-HH	31	104-3144	4	Pin-Hair
8	114-3244	1	Gear-Segment, Deck Lift	32	104-3145	1	Suspension-Mower Deck, Front
9	104-3134	1	Spring	33	33026-00	1	Nut-Lock
10	104-3135	1	Pin-Arm Lever	34	33016-00	1	Nut-Hex
11	104-3136	1	Lever-Arm, Height Adj.	35	104-3146	1	Holder-Front
12	104-3137	1	Clip-Pin	36	104-3124	2	Washer-Flat
13	104-2994	2	Pin-Spring	37	104-3147	1	Pin
14	114-3245	1	Shaft-Lift, Deck	38	104-3148	2	Pin-Hair
17	33094-00	3	Washer-Plain	41	104-3149	1	Rod-Height, Adj.
21	33025-00	1	Nut-Lock	42	104-3151	1	Pin-Cotter
22	33095-00	1	Washer-Flat	43	34-9270	4	Washer-Hose
23	104-3139	1	Bolt-Eye				
24	104-3140	1	Spring-Lift				



## Battery and Electrical Harness Assembly

Ref.	Part Number	Qty.	Description
1	104-2491	1	Battery
2	33013-00	2	Nut-Hex
3	33113-016	2	Screw-HH
4	114-3131	1	Clamp-Battery
5	104-3154	2	Boot-Rubber
6	110-8678	1	Cable-Battery, Negative
7	33024-00	1	Nut-Lock
8	33093-00	2	Washer-Flat
9	3334-945	3	Tie-Cable
10	104-3156	1	Holder-Harness, Wiring
11	104-3157	10	Clip-Snap

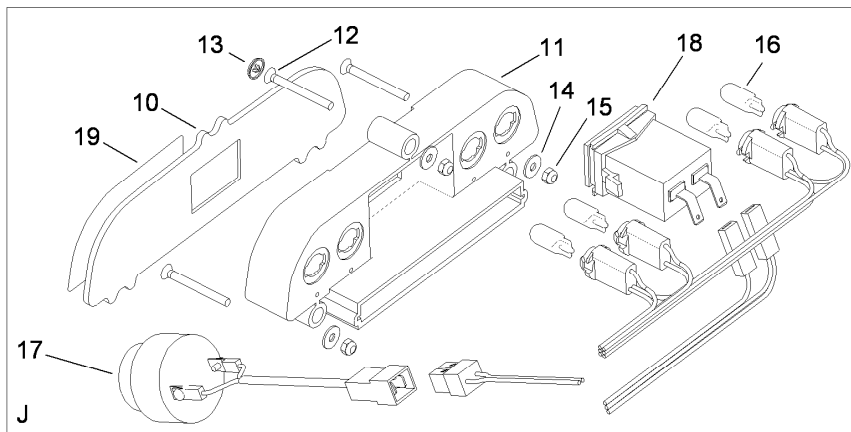
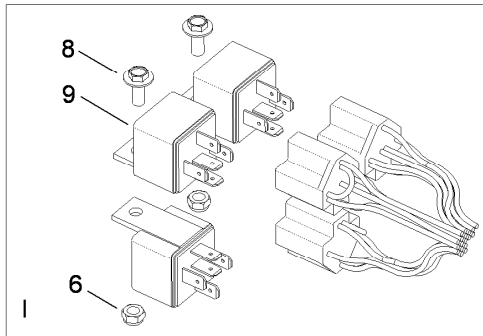
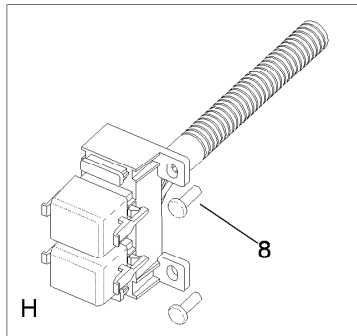
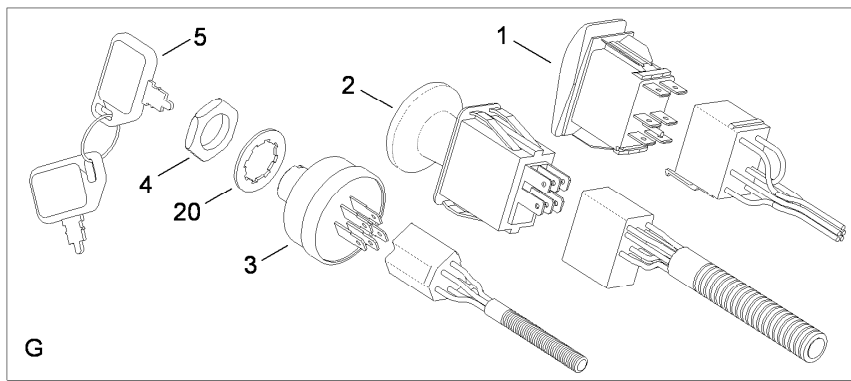
Ref.	Part Number	Qty.	Description
12	114-3128	1	Harness-Wire, Light
13	114-3129	2	Bulb-Light
15	104-3160	1	Harness-Clutch
16	108-8750	1	Harness-Wiring
17	104-3163	1	Cap
18	104-3165	2	Bushing
19	110-8677	1	Cable-Battery, Positive
20	104-3167	2	Clip-Nylon
21	104-3168	1	Bushing
24	93-7276	1	Decal-Danger



## Electrical Switch No. 2 Assembly

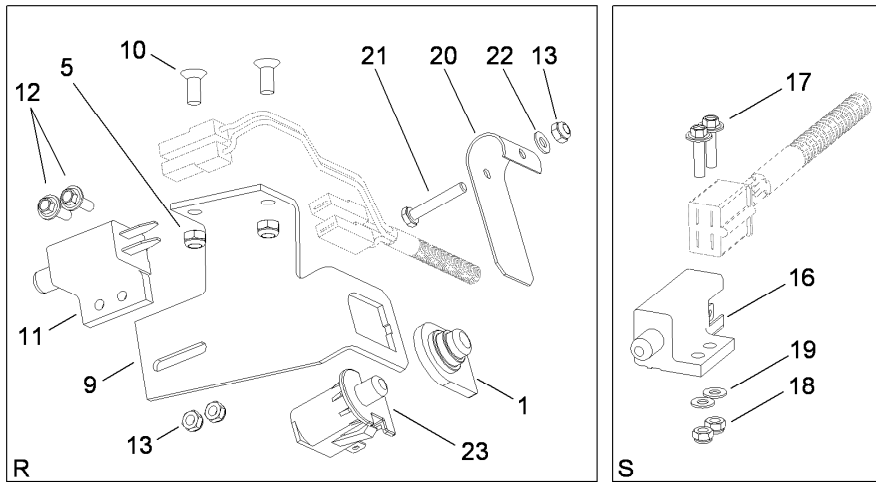
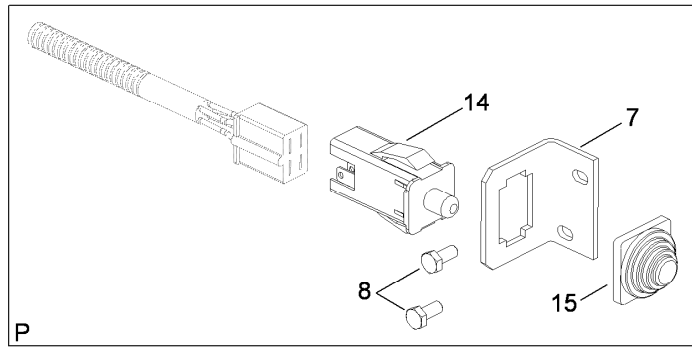
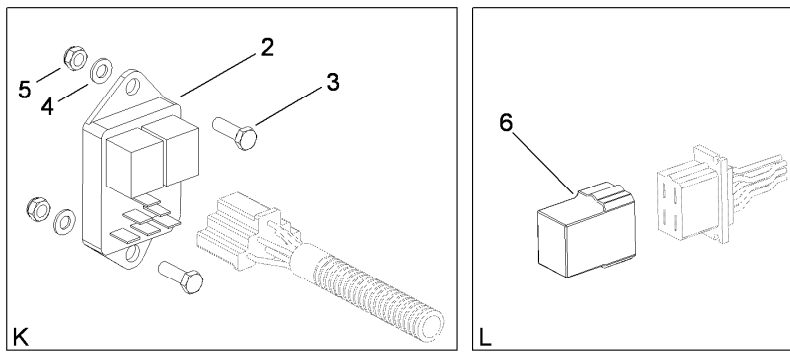
Ref.	Part Number	Qty.	Description
1	104-3178	2	Cover-Protective
2	104-3179	3	Switch-Delta
3	99-8090	1	Magnet ASM
3:1	93-6601	1	Spring-Compression
4	104-3074	1	Overload Switch ASM
5	46-5780	1	Starter Switch ASM
5:1	3254-5	1	Washer-Tooth
5:2	218-461	1	Nut-HH

Ref.	Part Number	Qty.	Description
6	33113-012	2	Screw-HH
7	104-3186	2	Washer-Spring
8	33093-00	2	Washer-Flat
9	32128-32	3	Nut-HHF
10	104-3187	1	Boot-Rubber
11	104-3188	1	Lead-Starter, Electric
12	104-3189	1	Solenoid
13	104-3349	2	Screw



## Electrical Switch Assembly No. 2

<i>Ref.</i>	<i>Part Number</i>	<i>Qty.</i>	<i>Description</i>	<i>Ref.</i>	<i>Part Number</i>	<i>Qty.</i>	<i>Description</i>
1	93-0527	1	Switch-Cruise	12	104-3191	3	Screw
2	93-9998	1	Switch-PTO	13	104-3174	3	Screw-Cap
3	92-6785	1	Switch-Ignition	14	104-3175	3	Washer
4	218-461	1	Nut-HH	15	104-2985	3	Nut-Hex
5	62-7770	2	Key-Ignition	16	104-3176	4	Bulb
6	87-5140	2	Nut-Lock	17	104-3177	1	Buzzer
8	104-2978	4	Screw-Hex	18	94-4208	1	Hourmeter
9	104-3173	3	Relay	19	104-2854	1	Decal-Dash
10	92-6705	1	Lens-Dash	20	3254-5	1	Washer-Tooth
11	92-6732	1	Housing-Light, Indicator				



## Electrical Switch Assembly No. 3

<i>Ref.</i>	<i>Part Number</i>	<i>Qty.</i>	<i>Description</i>	<i>Ref.</i>	<i>Part Number</i>	<i>Qty.</i>	<i>Description</i>
1	104-3178	1	Cover-Protective	13	104-2985	3	Nut-Hex
2	99-3701	1	Module-Clutch	14	104-3338	1	Switch-Delta
3	60-6910	2	Screw	15	104-3339	1	Cover-Switch
4	52-6430	2	Washer	16	104-3330	1	Switch-Delta
5	87-5140	4	Nut-Lock	17	104-3331	2	Bolt
6	104-3169	1	Circuit-Memory	18	46-0430	2	Nut-Lock
7	104-3333	1	Holder-Switch	19	52-6430	2	Washer
8	104-3190	2	Screw	20	106-5765	1	Lever-Spring
9	104-3332	1	Holder-Switch	21	104-3009	1	Screw-Hex
10	104-2980	2	Screw	22	106-5766	1	Washer
11	95-1653	1	Switch-Pole, Single	23	104-3180	1	Switch-Delta
12	104-2983	2	Screw				

# Attachments and Accessories

## For 74593 DH 220 Lawn Tractor

**Product Name**

**Model/Part**

Bagging Blade Kit, 2003 and After DH Series Lawn Tractors .....	106-8559
Rear Discharge Kit.....	79471

**Notes:**

**Notes:**

**Notes:**



**Count on it.**