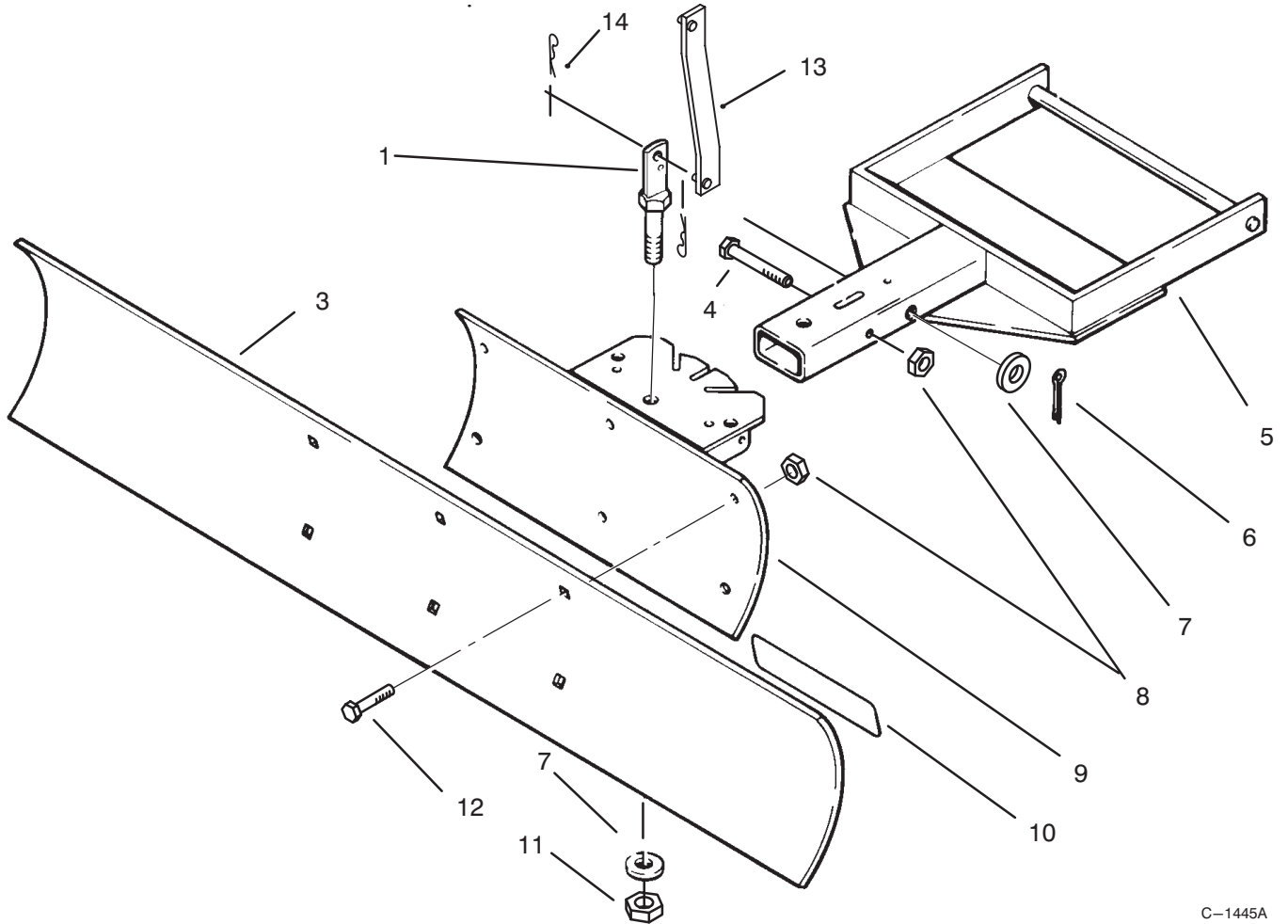




MODEL NO. 79351-5900001 & UP

**PARTS
CATALOG**

**50" MID-MOUNT BLADE
WHEEL HORSE GARDEN TRACTOR**

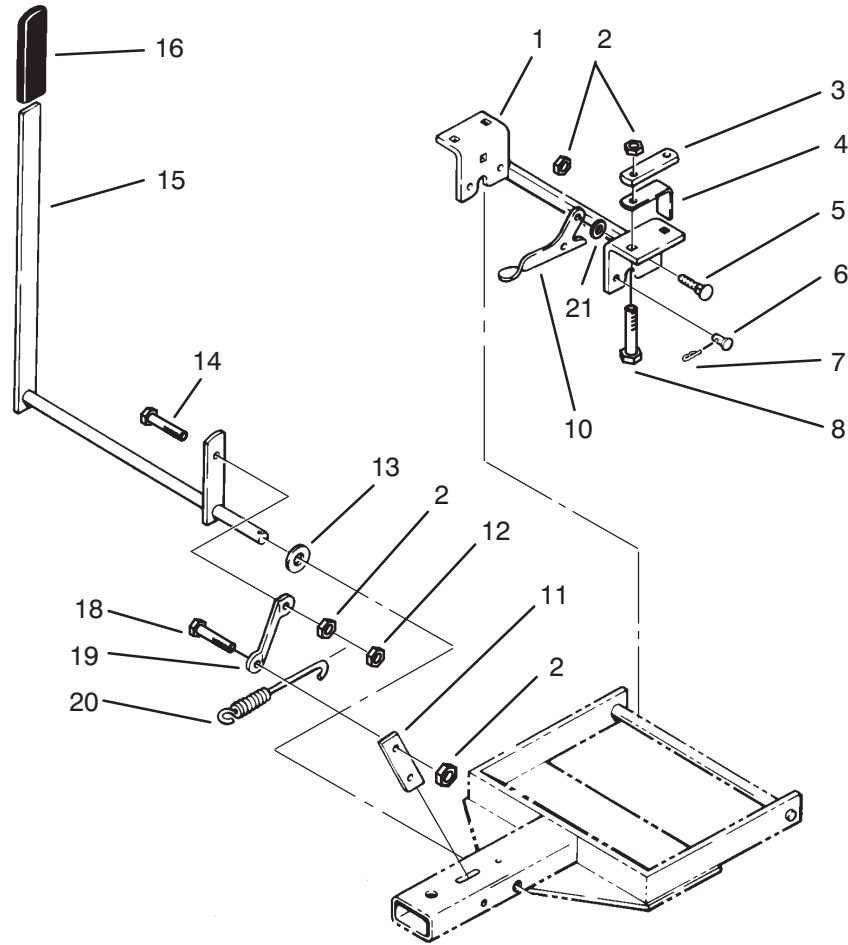


C-1445A

BLADE ASSEMBLY

Ref. No.	Part No.	Description	No. Used
1	113159	Screw - Bolt	1
3	103626	Blade	1
4	323-15	Bolt	1
5	113154	Frame	1
6	3272-12	Cotter Pin	1
7	3256-28	Washer	2
8	3296-39	Nut	9

Ref. No.	Part No.	Description	No. Used
9	113158	Quadrant	1
10	92-8748	Decal - Attachment	1
11	9156404	Nut	1
12	3231-2	Bolt - Carriage	6
13	92-0983	Bar - Lift	1
14	933504	Hairpin Cotter	2



C-1446A

LIFT LINKAGE ASSEMBLY

Ref. No.	Part No.	Description	No. Used
1	104659	Bracket - Axle	1
2	3296-39	Nut	6
3	3697	Link	2
4	7713	Spacer, 8-Speed Only	2
5	3231-2	Bolt - Carriage	2
6	9321204	Clevis Pin	2
7	933504	Hairpin Cotter	2
8	3231-11	Bolt - Carriage	4
10	104657	Latch - Handle	2
11	113157	Latch	1

Ref. No.	Part No.	Description	No. Used
12	109779	Nut - Jam	1
13	3256-28	Washer	1
14	323-7	Bolt	1
15	113155	Handle - Lever	1
16	5359	Grip	1
18	323-6	Bolt	1
19	113156	Link - Latch	1
20	102572	Spring	1
21	3256-24	Washer - Flat	2