



Count on it.

Parts Catalog

Z400 Z Master®

**With 48in TURBO FORCE® Side Discharge
Mower**

Model No. 74444—Serial No. 310000001 and Up

Ordering Replacement Parts

To order replacement parts, please supply the part number, the quantity, and the description of each part desired.

Understanding Reference Numbers

Each identified part in an illustration has a reference number. The reference number for a part also appears in the parts list, along with other information about the part.

This catalog uses two special reference number formats, one to indicate parts in a service assembly and another to indicate the quantity of a given part in an illustration.

Service Assembly Reference Numbers

Parts in service assemblies have reference numbers in the form a:b. The a represents the reference number of the entire service assembly and the b represents a sequential number unique to each part within the service assembly.

For example, a wheel assembly might be identified by reference number 6, the tire by 6:1, the valve by 6:2, and the wheel by 6:3. When you order the assembly identified by reference number 6, you receive all parts identified by reference numbers 6:1, 6:2, and 6:3. However, you may also order any part individually. Reference numbers of this type appear in illustration and in parts lists.

Reference Numbers Indicating Quantity

In an illustration, if a reference number indicates more than one part, the reference number has the form nX y. The n represents the quantity of the part, the X is the multiplication symbol, and the y represents the reference number.

For example, in an illustration, the reference number 2X 37 means that two of the parts identified by reference number 37 are indicated.

List of Abbreviations

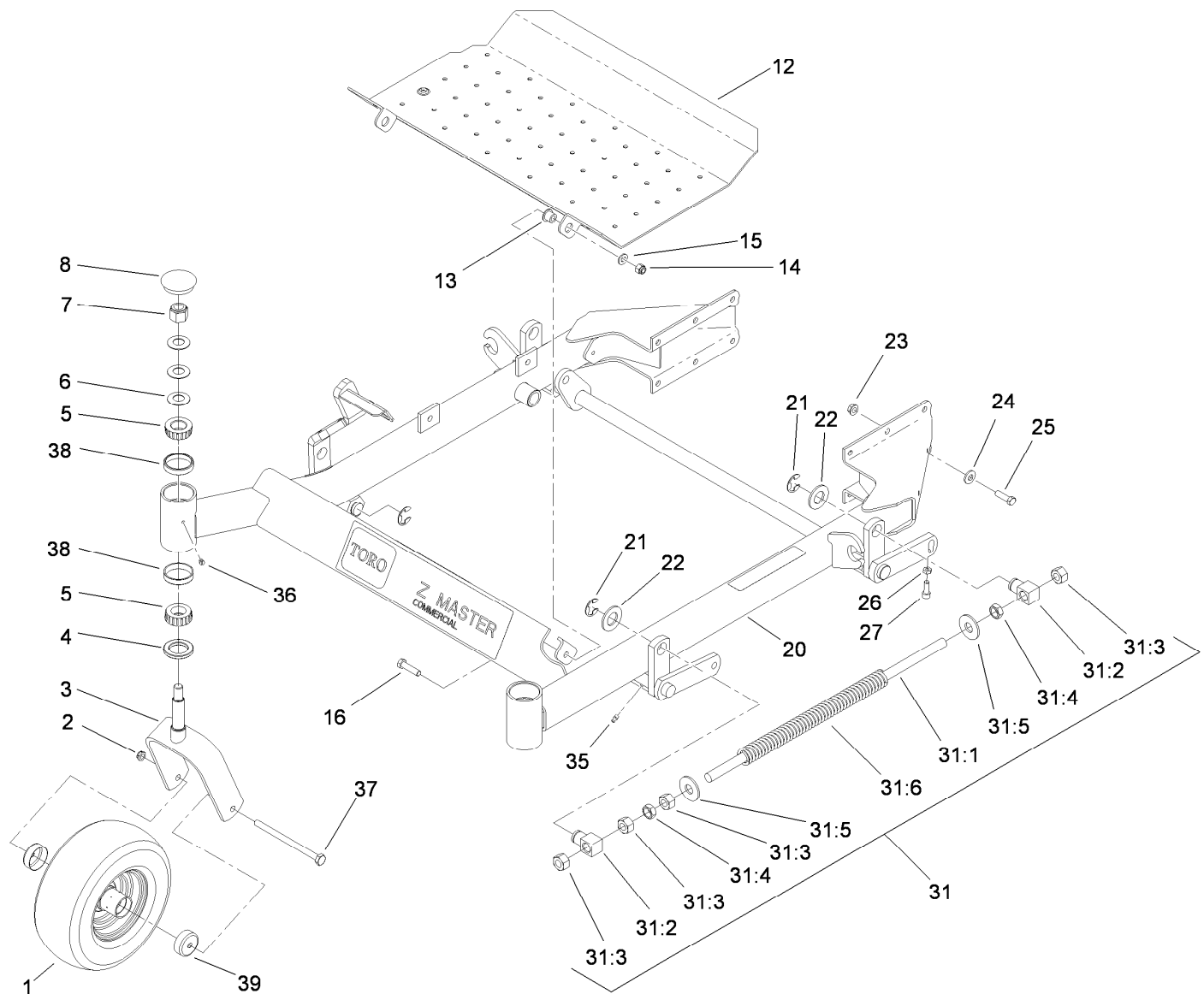
AR: as required
ASM: assembly
BBC: blade brake clutch
CARR: carriage
CCW: counter clock wise
CW: clockwise
DEG: degrees
ECM: electronic control module
EXT: external
FH: flat head
GA: gauge
HD: heavy-duty
HF: hex flange
HH: hex head
HHF: hex head flange
HHFTF: hex head flange thread forming
HJ: hex jam
HLH: hex lag head
HOC: height-of-cut

HSBH: hex socket button head
HSFH: hex socket flat head
HSH: hex socket head
HWH: hex washer head
HWHTF: hex washer head thread forming
HYD: hydraulic
LH: left hand
NI: nylon insert
NPTF: national pipe thread fine
PFH: phillips flat head
PPH: phillips pan head
PPHTF: phillips pan head thread forming
PRH: phillips round head
PTH: phillips truss head
PTO: power-take-off
RH: right hand
ROPS: roll-over protection system
RRB: rear roller brush

SFH: slotted fillister head
SHH: slotted hex head
SHWH: slotted hex washer head
SPH: slotted pan head
SQH: square head
SRH: slotted round head
STD: standard
TAP: self tapping
TTH: torx truss head

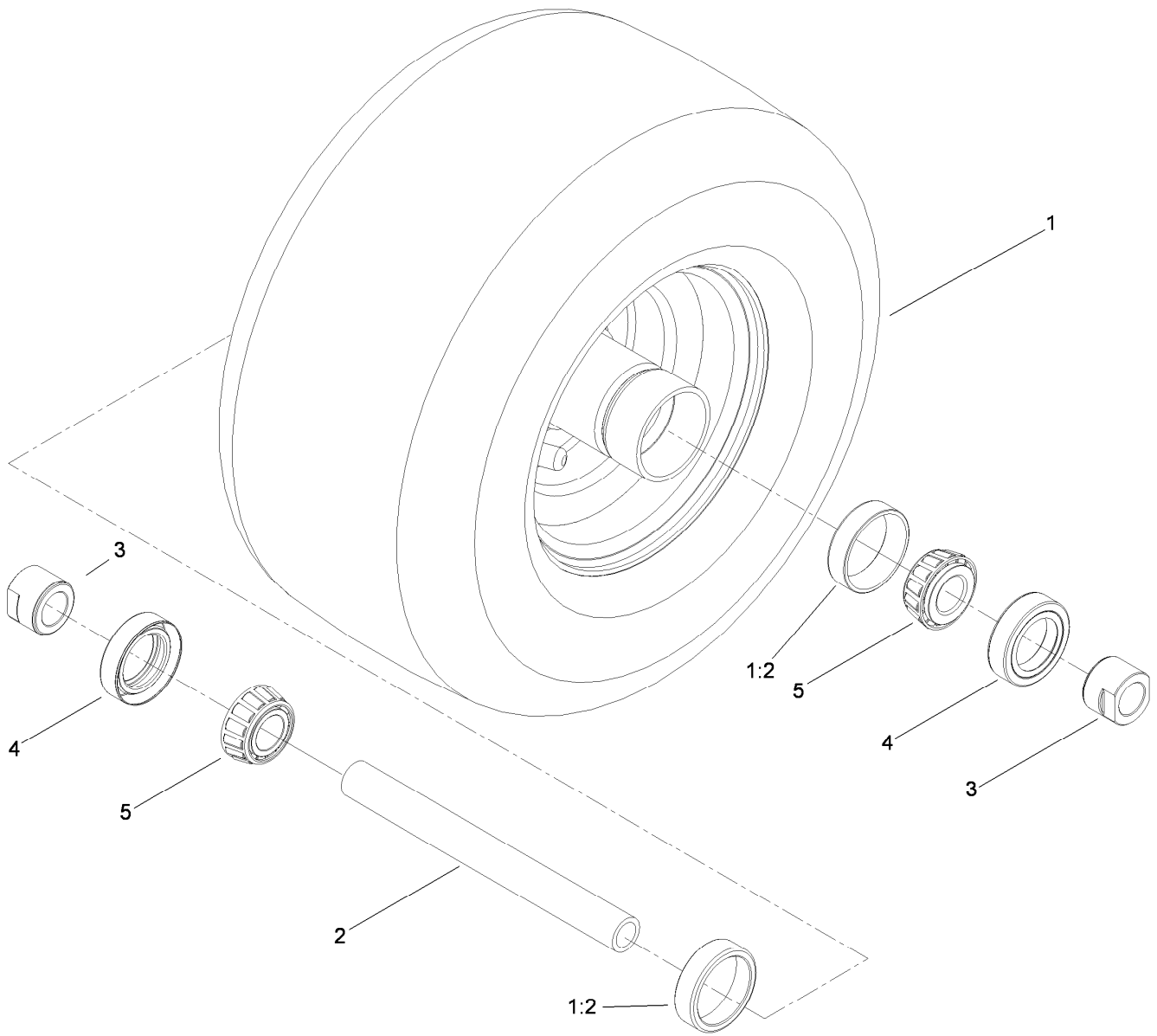
Contents

Front Frame and Caster Wheel Assembly	4
Tire and Wheel Assembly No. 103-5362	5
Front Frame Assembly	6
Deck Lift Handle Assembly	7
Main Frame Assembly	8
Fuel System Assembly	9
Parking Brake Assembly	10
Hydraulic Motor Assembly No. 103-5333	11
Motion Control Assembly	12
LH Motion Control Assembly No. 109-3912	13
RH Motion Control Assembly No.109-3911	14
Hydraulic Assembly	15
Hydraulic Pump Assembly No. 103-1942	17
Pump Idler and Belt Assembly	18
Engine, Clutch and Muffler Assembly	19
Deck Connection Assembly	20
Deck Assembly	21
Deck Decal Assembly No. 119-4208	23
Spindle Assembly No. 117-6158	24
Rubber Deflector Assembly No. 108-7770	25
Idler Assembly	26
Electrical Assembly	27
Seat Mounting Assembly	29
Seat Assembly No. 116-0853	30
Roll-Over Protection System Assembly	31
Roll-Over Protection System Assembly No. 119-6653	32
Attachments and Accessories	33



Front Frame and Caster Wheel Assembly

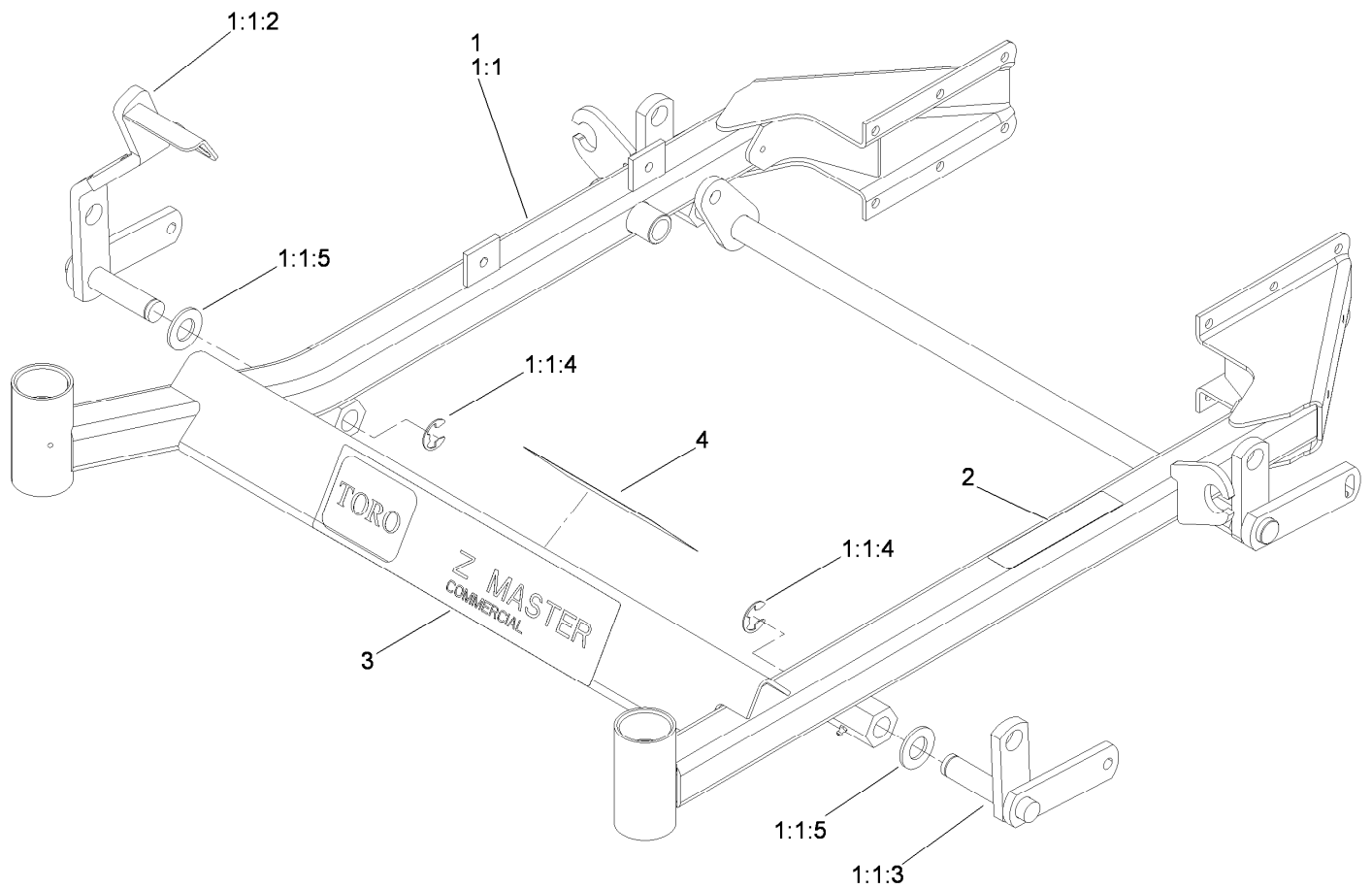
Ref.	Part Number	Qty.	Description	Ref.	Part Number	Qty.	Description
1	103-5362	2	Wheel And Bearing ASM	24	98-5975	12	Washer-Belleville
2	3296-45	2	Nut-Lock, NI	25	323-6	12	Screw-HH
3	1-632511-01	2	Caster	26	3218-2	2	Nut-Jam
4	1-543511	2	Seal-Grease	27	3274-18	2	Screw-HSH
5	254-94	4	Bearing-Cone, Tapered	31	1-634439	2	Front Frame Spring ASM
6	1-633508	6	Washer-Bellville	31:1	1-633096	1	Rod-Lift, Deck
7	3296-51	2	Nut-Lock, NI	31:2	1-633441	2	Swivel-Deck Mount, Rear
8	103-4882	2	Cap-Grease	31:3	3217-11	4	Nut-Hex
12	108-5007-03	1	Floor Pan	31:4	3218-6	2	Nut-Jam
13	86-2180	2	Bushing-Flange	31:5	3256-7	2	Washer-Flat
14	3296-39	2	Nut-Lock, NI	31:6	1-633064	1	Spring-Support, Deck
15	3256-24	2	Washer-Flat	35	302-19	4	Fitting-Grease
16	323-8	2	Screw-HH	36	1-811010	2	Plug
20	119-4214	1	Front Frame ASM	37	325-36	2	Screw-HH
21	32151-103	4	Ring-Retaining, EXT	38	254-72	4	Bearing-Cup, Tapered
22	3256-29	4	Washer-Flat	39	103-2768	4	Guard-Seal
23	3290-357	12	Nut-HHF, Whiz				



Tire and Wheel Assembly No. 103-5362

<i>Ref.</i>	<i>Part Number</i>	<i>Qty.</i>	<i>Description</i>
1		1	Wheel And Tire ASM ●
1:2	1-633584	2	Bearing-Cup
2	103-3155	1	Axle-Caster
3	103-3051	2	Spacer-Nut
4	103-0063	2	Seal-Caster
5	1-633585	2	Bearing-Cone, Taper

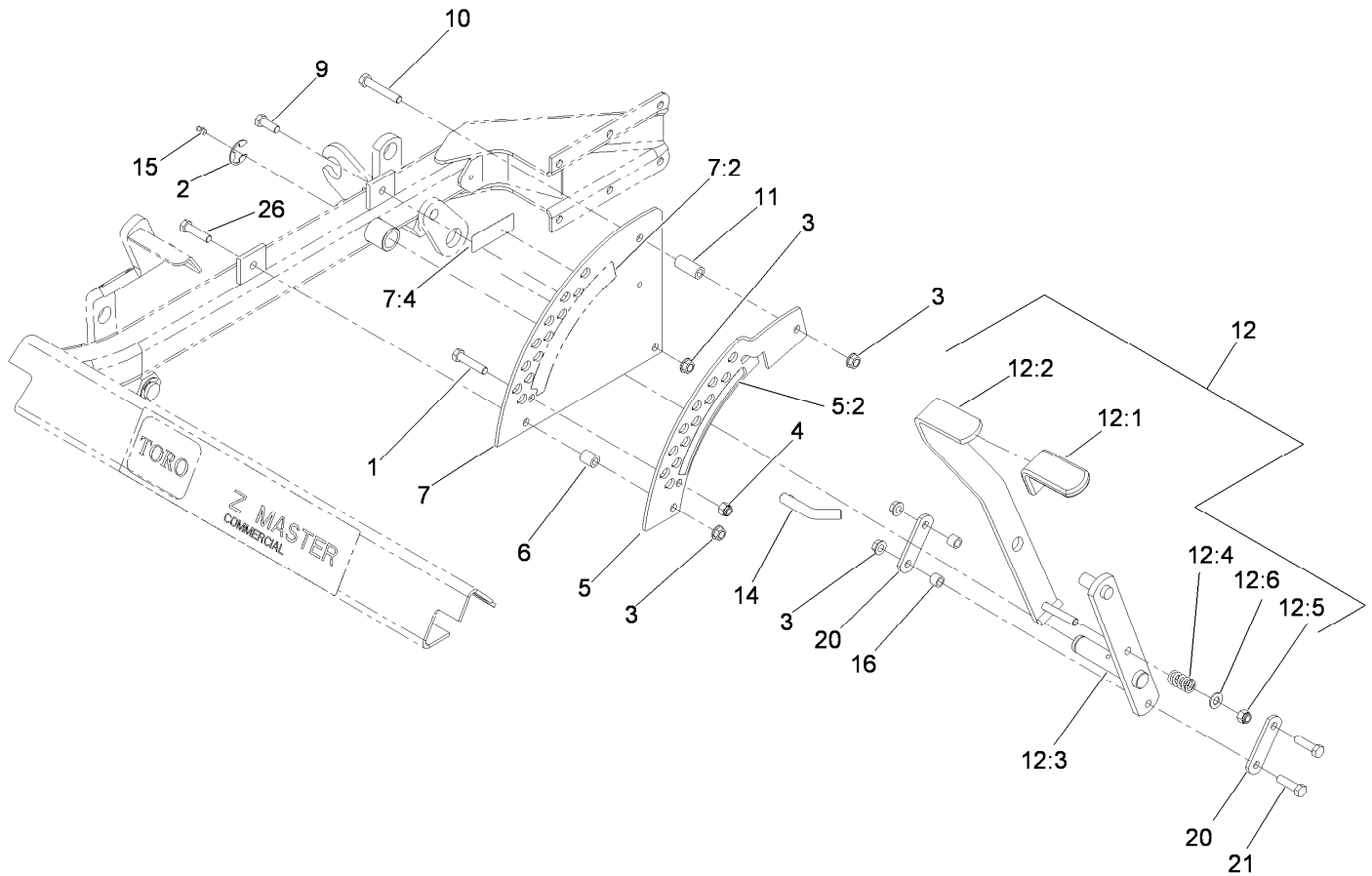
● Not serviced separately



Front Frame Assembly

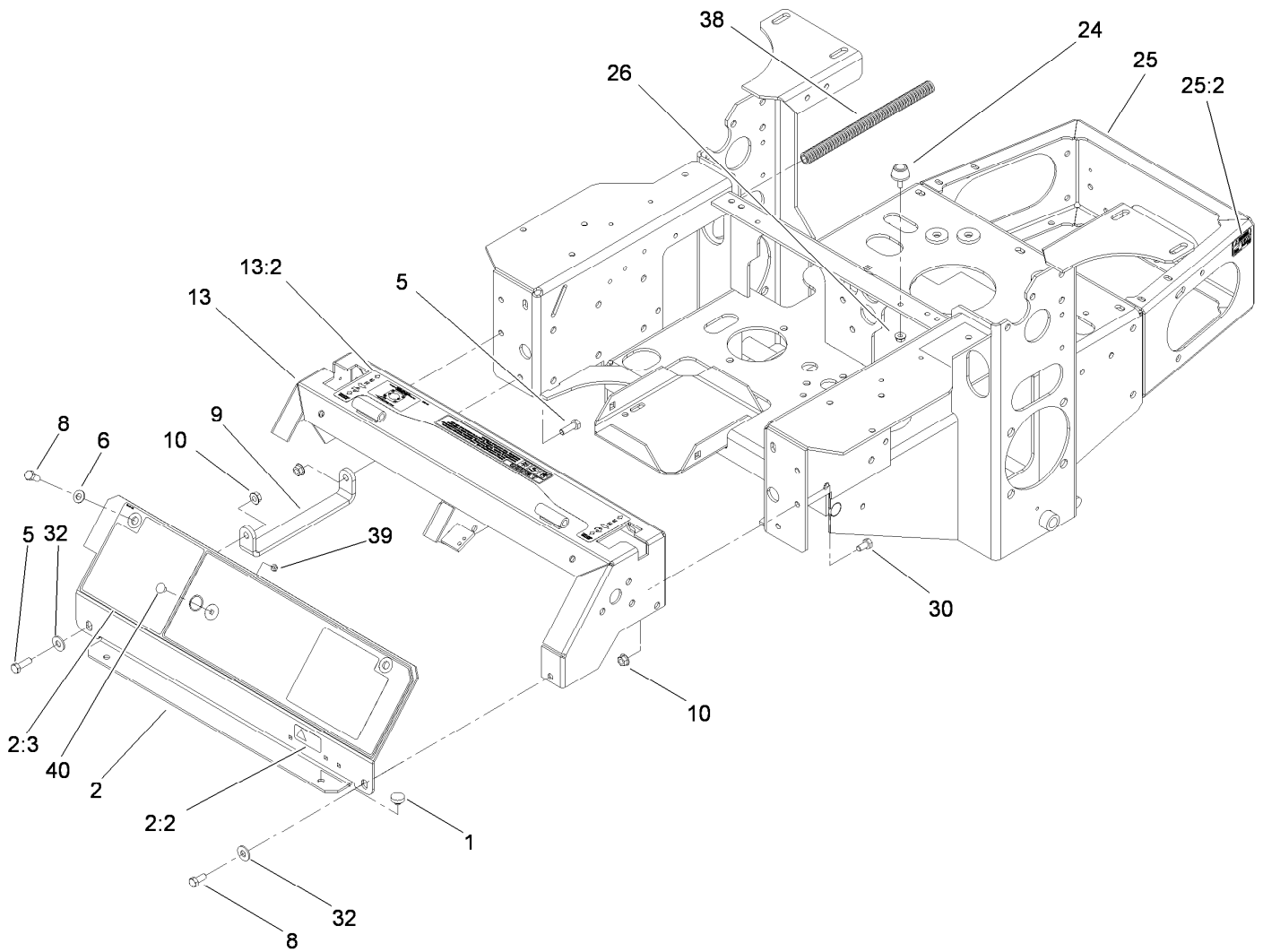
Ref.	Part Number	Qty.	Description
1		1	Front Frame ASM ●
1:1		1	Frame-Front ●
1:1:2	119-4215	1	RH Foot Lift ASM
1:1:3	99-3871	1	LH Lift Arm ASM
1:1:4	32151-103	2	Ring-Retaining, EXT
1:1:5	3256-29	2	Washer-Flat
2	1-633818	1	Decal-Warning
3	106-7451	1	Decal
4	107-2112	1	Decal-Warning

● Not serviced separately



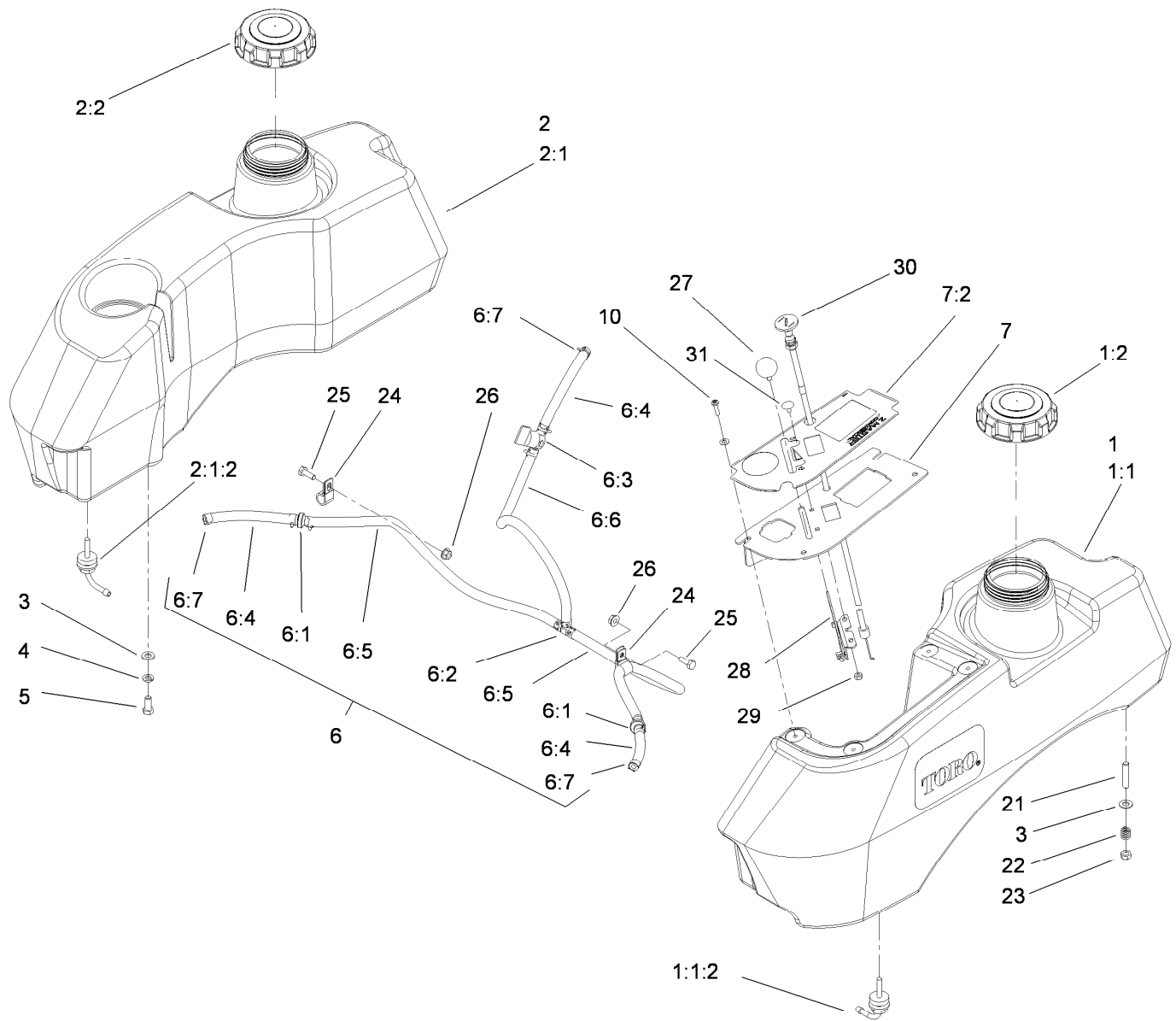
Deck Lift Handle Assembly

<i>Ref.</i>	<i>Part Number</i>	<i>Qty.</i>	<i>Description</i>	<i>Ref.</i>	<i>Part Number</i>	<i>Qty.</i>	<i>Description</i>
1	323-9	1	Screw-HH	12	110-5870	1	Deck Lift Handle ASM
2	32151-103	1	Ring-Retaining, EXT	12:1	1-633295	1	Grip-Lever, Lift
3	3290-357	5	Nut-HHF, Whiz	12:2	103-2078	1	Handle-Lift
4	3296-39	1	Nut-Lock, NI	12:3	106-6598	1	Lift Arm ASM
5	117-0372	1	Plate-HOC, Inner	12:4	1-633325	1	Spring-Compression
5:2	108-1050	1	Decal-Deck Height, Inner	12:5	3296-39	1	Nut-Lock, NI
6	1-633080	1	Bushing-Lever, Lift	12:6	3256-24	1	Washer-Flat
7	117-0371	1	Plate-HOC, Outer	14	109-8757	1	Pin-HOC
7:2	108-1051	1	Decal-Deck Height, Outer	15	302-19	1	Fitting-Grease
7:4	117-2718	1	Decal-Arrester, Spark	16	103-1918	2	Bushing
9	323-6	1	Screw-HH	20	1-633068	2	Arm-Lift, Deck
10	323-11	1	Screw-HH	21	323-29	2	Screw-HH
11	1-633082	1	Bushing-Lever, Lift	26	323-8	1	Screw-HH



Main Frame Assembly

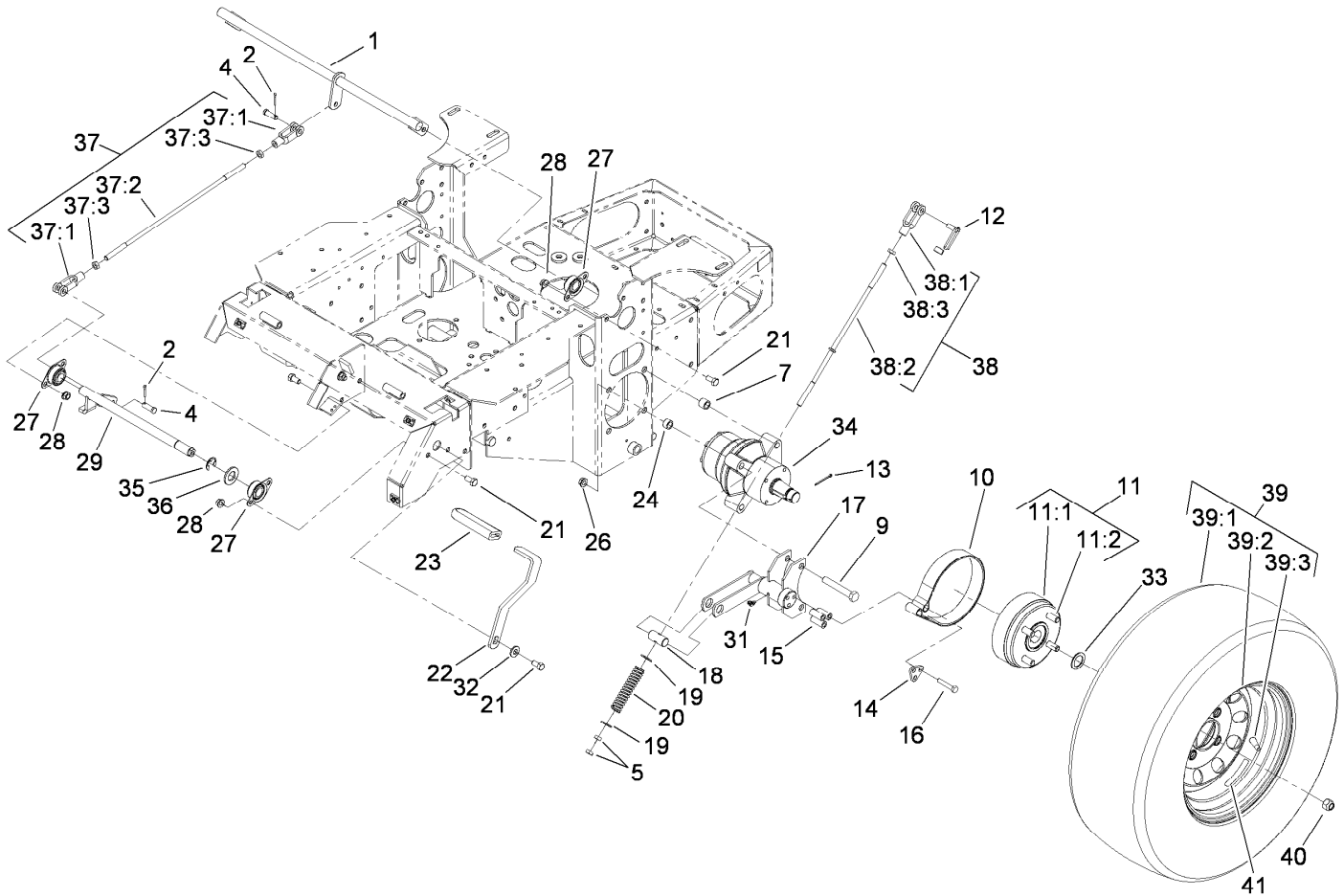
<i>Ref.</i>	<i>Part Number</i>	<i>Qty.</i>	<i>Description</i>	<i>Ref.</i>	<i>Part Number</i>	<i>Qty.</i>	<i>Description</i>
1	1-513658	2	Bumper	13:2	108-5995	1	Decal-Warning
2	108-1864	1	Panel ASM	24	109-2365	2	Bumper-Rubber (W/Stud)
2:2	98-4387	1	Decal-Protection, Ear	25	114-4497	1	Main Frame ASM
2:3	107-8445	1	Decal-Cover, Panel	25:2	65-2690	2	Decal-Surface, Hot
5	322-5	2	Screw-HH	26	32128-33	2	Nut-HF
6	3256-23	2	Washer-Flat	30	322-2	4	Screw-HH
8	322-3	3	Screw-HH	32	3256-3	2	Washer-Flat
9	103-7935-03	1	Bracket-Panel, Instrument	38	24-7922	2	Cover-Shaft, Drive
10	32128-20	6	Nut-HF	39	3296-2	2	Nut-Lock, NI
13	108-5997	1	Console ASM	40	1-807513	2	Bolt-CARR



Fuel System Assembly

Ref.	Part Number	Qty.	Description	Ref.	Part Number	Qty.	Description
1	110-4165	1	LH Fuel Tank Service Kit	6:6	109-0297	1	Hose-Fuel
1:1		1	LH Fuel Tank ASM ●	6:7	103-1716	12	Clamp-Hose
1:1:2	103-2605	1	Fitting-Fuel, Bulkhead	7	117-0906	1	Control Panel ASM
1:2	109-0346	1	Cap-Fuel, Gas	7:2	117-0904	1	Decal-Panel, Control
2	105-3639	1	RH Fuel Tank Service Kit	10	109-2661	4	Screw-PPH
2:1		1	RH Fuel Tank ASM ●	21	1-633023	4	Stud
2:1:2	103-2605	1	Fitting-Fuel, Bulkhead	22	1-633349	4	Spring-Tank, Fuel
2:2	109-0346	1	Cap-Fuel, Gas	23	3296-47	4	Nut-Lock, NI
3	3256-23	8	Washer-Flat	24	1-513762	2	Clip-Loom
4	1-805005	4	Washer-Lock	25	321-4	2	Screw-HH
5	322-3	4	Screw-HH	26	32128-33	2	Nut-HF
6		1	Hose-Fuel ●	27	1-513592	1	Knob-Ball
6:1	99-5000	2	Valve-Check, Fuel	28	1-633696	1	Throttle Cable ASM
6:2	99-5005	1	Fitting-Tee, Barbed	29	3296-2	2	Nut-Lock, NI
6:3	1-603770	1	Valve-Fuel	30	114-4471	1	Control-Choke, Push / Pull
6:4	109-0678	3	Hose-Fuel	31	1-807513	2	Bolt-CARR
6:5	110-5701	2	Hose-Fuel				

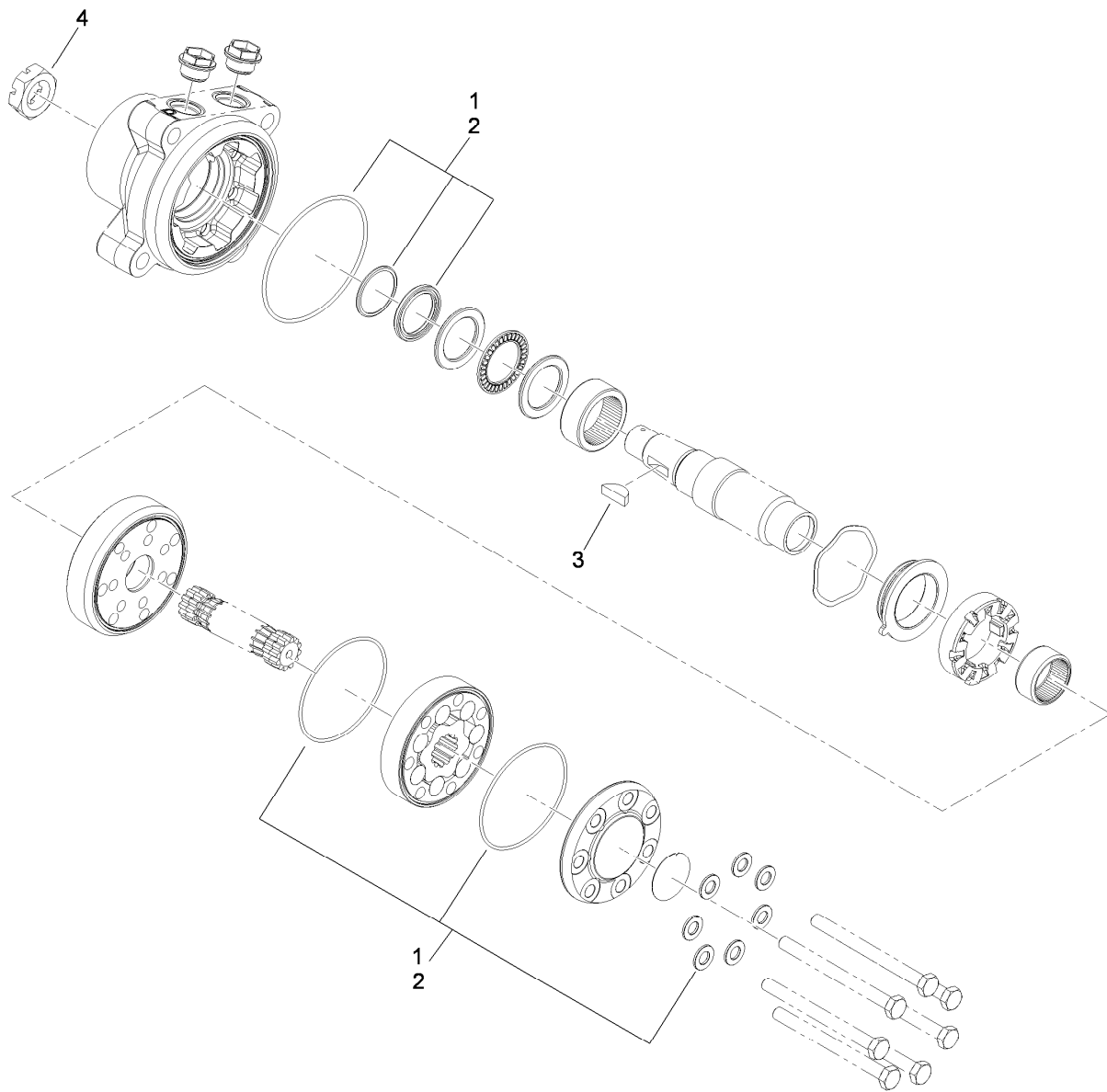
● Not serviced separately



Parking Brake Assembly

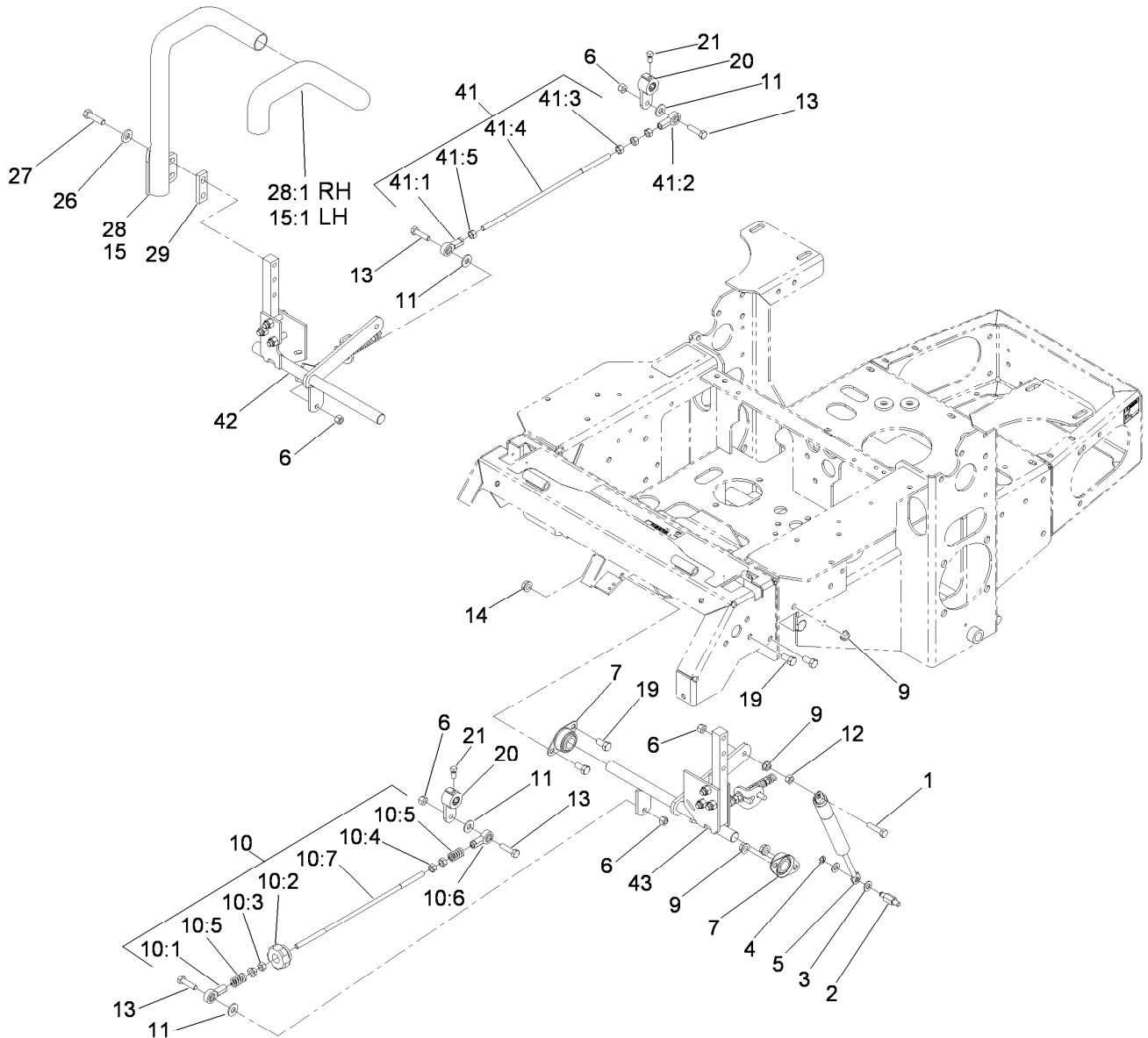
Ref.	Part Number	Qty.	Description	Ref.	Part Number	Qty.	Description
1	1-652073-03	1	Crank-Brake, Park	28	3290-357	8	Nut-HHF, Whiz
2	3272-10	2	Pin-Cotter	29	103-3116	1	Shaft-Brake, Parking
4	1-808285	2	Pin-Clevis	31	1481	2	Fitting-Grease
5	3219-3	4	Nut-Hex	32	98-5975	1	Washer-Belleville
7	1-653068	4	Spacer-Wheel	33	1-523157	2	Washer-Spacer
9	325-13	8	Screw-HH	34	103-5333	2	Motor-Wheel
10	103-0355	2	Band-Brake	34:1	109-5965	1	Wheel Motor Seal Kit ●
11	103-0590	2	Hub And Wheel ASM	34:2	109-5966	1	Wheel Motor Seal Kit ●
11:1	103-0589	1	Wheel Hub ASM	35	32151-48	1	E-Ring
11:2	1-633926	4	Stud-Wheel	36	3256-28	1	Washer-Flat
12	103-2399	2	Pin-Spring, Clevis	37	103-4328	1	Brake Rod ASM
13	1-806800	2	Pin-Cotter	37:1	1-633131	2	Yoke-Linkage, Brake
14	103-0374	2	Retainer-Band, Brake	37:2	1-653061	1	Linkage-Handle, Brake
15	103-0384	6	Spacer	37:3	3219-3	2	Nut-Hex
16	322-9	6	Screw-HH	38	103-4329	2	Brake Rod ASM
17	103-0352-03	2	Bracket-Brake	38:1	1-633131	1	Yoke-Linkage, Brake
18	1-633144	2	Pin-Trunion	38:2	103-0356	1	Rod-Brake
19	3256-4	4	Washer-Flat	38:3	3219-3	1	Nut-Hex
20	1-633454	2	Spring-Brake	39	1-653159	2	Wheel And Tire ASM
21	323-4	9	Screw-HH	39:1	1-653160	1	Tire
22	1-653074-03	1	Handle-Brake, Park	39:2	1-653161	1	Wheel
23	1-633268	1	Grip-Lever, Brake	39:3	232-27	1	Stem-Valve
24	1-653069	4	Spacer-Wheel	40	242-50	8	Nut-Lug
26	32128-49	8	Nut-HHF	41	109-7949	2	Decal
27	1-633102	4	Bearing-Flange, Side				

● Not illustrated



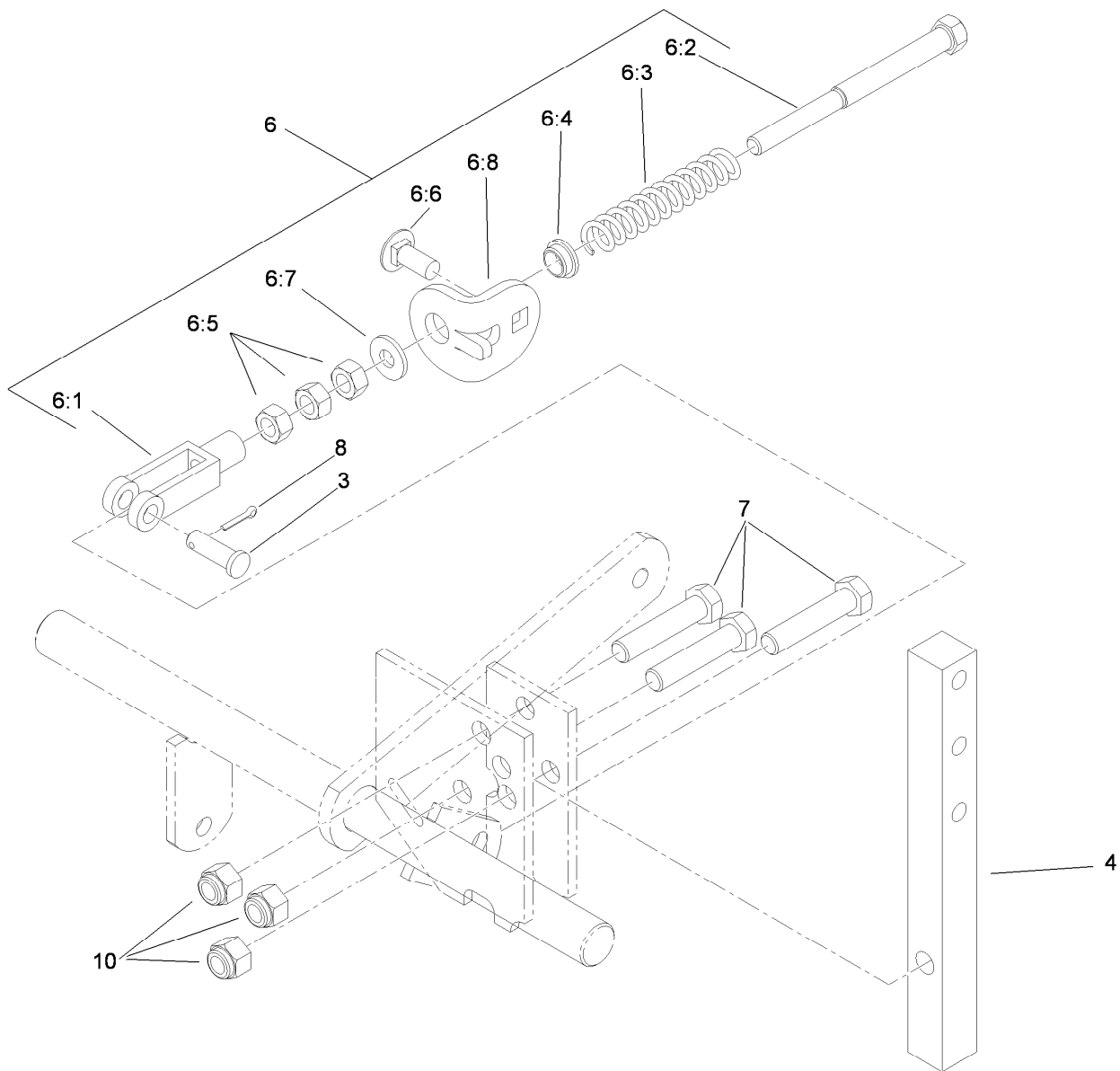
Hydraulic Motor Assembly No. 103-5333

<i>Ref.</i>	<i>Part Number</i>	<i>Qty.</i>	<i>Description</i>
1	109-5965	1	Wheel Motor Seal Kit
2	109-5966	1	Wheel Motor Seal Kit
3	3257-42	1	Key-Woodruff
4	1-809036	1	Nut-HH



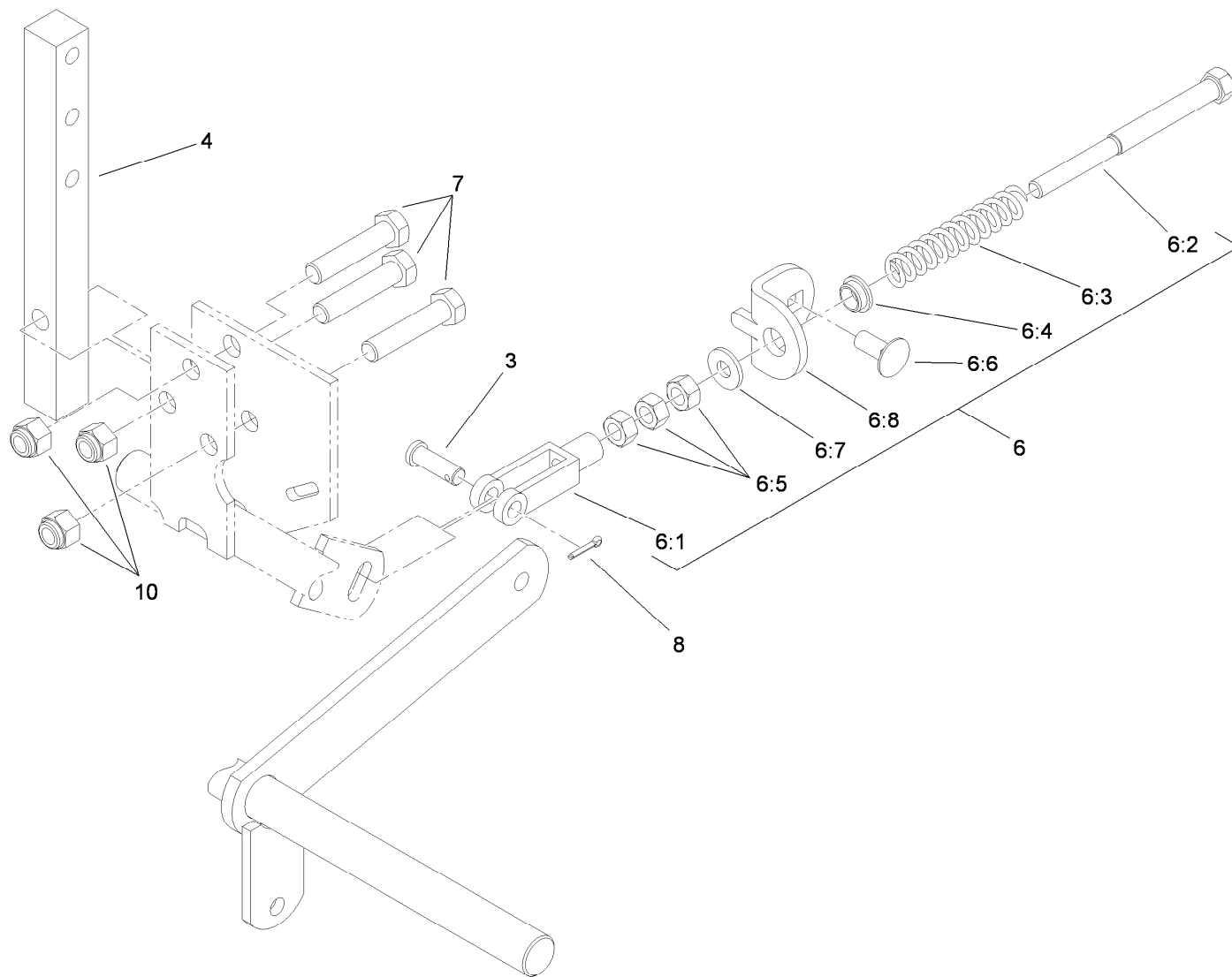
Motion Control Assembly

Ref.	Part Number	Qty.	Description	Ref.	Part Number	Qty.	Description
1	1-403180	2	Screw-HH	14	3290-357	6	Nut-HHF, Whiz
2	103-4101	2	Pin-Damper	15	108-7238	1	LH Lever ASM
3	3256-23	4	Washer-Flat	15:1	106-9987	1	Grip-Control, Motion
4	32120-35	2	Ring-Retaining, EXT	19	323-4	6	Screw-HH
5	109-2339	2	Damper-Control, Motion	20	103-3717	2	Arm-Control
6	3296-29	6	Nut-Lock, NI	21	1-803022	2	Screw-Set
7	1-633102	4	Bearing-Flange, Side	26	98-5975	4	Washer-Belleville
9	32128-20	10	Nut-HF	27	323-29	4	Screw-HH
10	103-4326	1	Tracking Rod ASM	28	108-7237	1	RH Lever ASM
10:1	1-543017	1	Balljoint-RH	28:1	106-9987	1	Grip-Control, Motion
10:2	3219-2	1	Nut-Hex	29	117-0948-03	2	Spacer, Control Lever
10:3	103-3060	1	Knob-Tracking	41	103-4327	1	Tracking ASM
10:4	1-804524	2	Nut	41:1	1-543017	1	Balljoint-RH
10:5	1-323245	2	Spring-Compression	41:2	1-633152	1	Balljoint-LH
10:6	1-633152	1	Balljoint-LH	41:3	1-804524	1	Nut
10:7	103-3066	1	Link-Rod, Tracking	41:4	103-3066	1	Link-Rod, Tracking
11	3256-3	4	Washer-Flat	41:5	3219-2	3	Nut-Hex
12	3217-6	2	Nut-Hex	42	109-3911	1	RH Motion Control ASM
13	322-6	4	Screw-HH	43	109-3912	1	LH Motion Control ASM



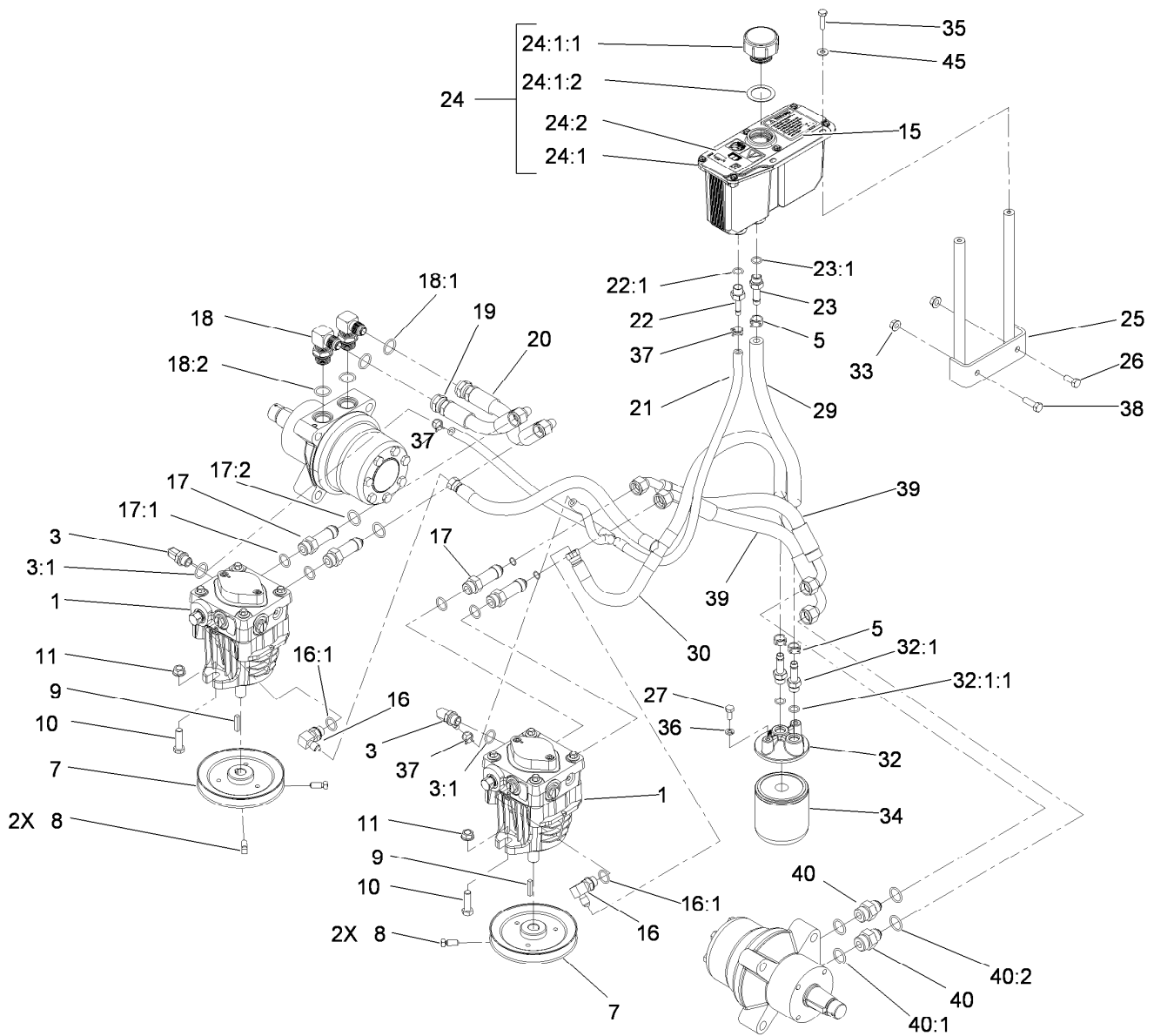
LH Motion Control Assembly No. 109-3912

<i>Ref.</i>	<i>Part Number</i>	<i>Qty.</i>	<i>Description</i>
3	1-808280	1	Pin-Clevis
4	103-0407	1	Arm-Shaft, Control
6	109-3903	1	Neutral Return ASM
6:1	1-303105	1	Yoke-Adjustable
6:2	1-603737	1	Bolt-Return, Neutral
6:3	1-603807	1	Spring-Return, Neutral
6:4	109-3769	1	Bushing-Nylon, Flanged
6:5	3219-2	3	Nut-Hex
6:6	3230-23	1	Screw-CARR
6:7	3256-2	1	Washer-Flat
6:8	109-3908	1	Tab-Adjustment
7	323-9	3	Screw-HH
8	3272-5	1	Pin-Cotter
10	3296-39	3	Nut-Lock, NI



RH Motion Control Assembly No.109-3911

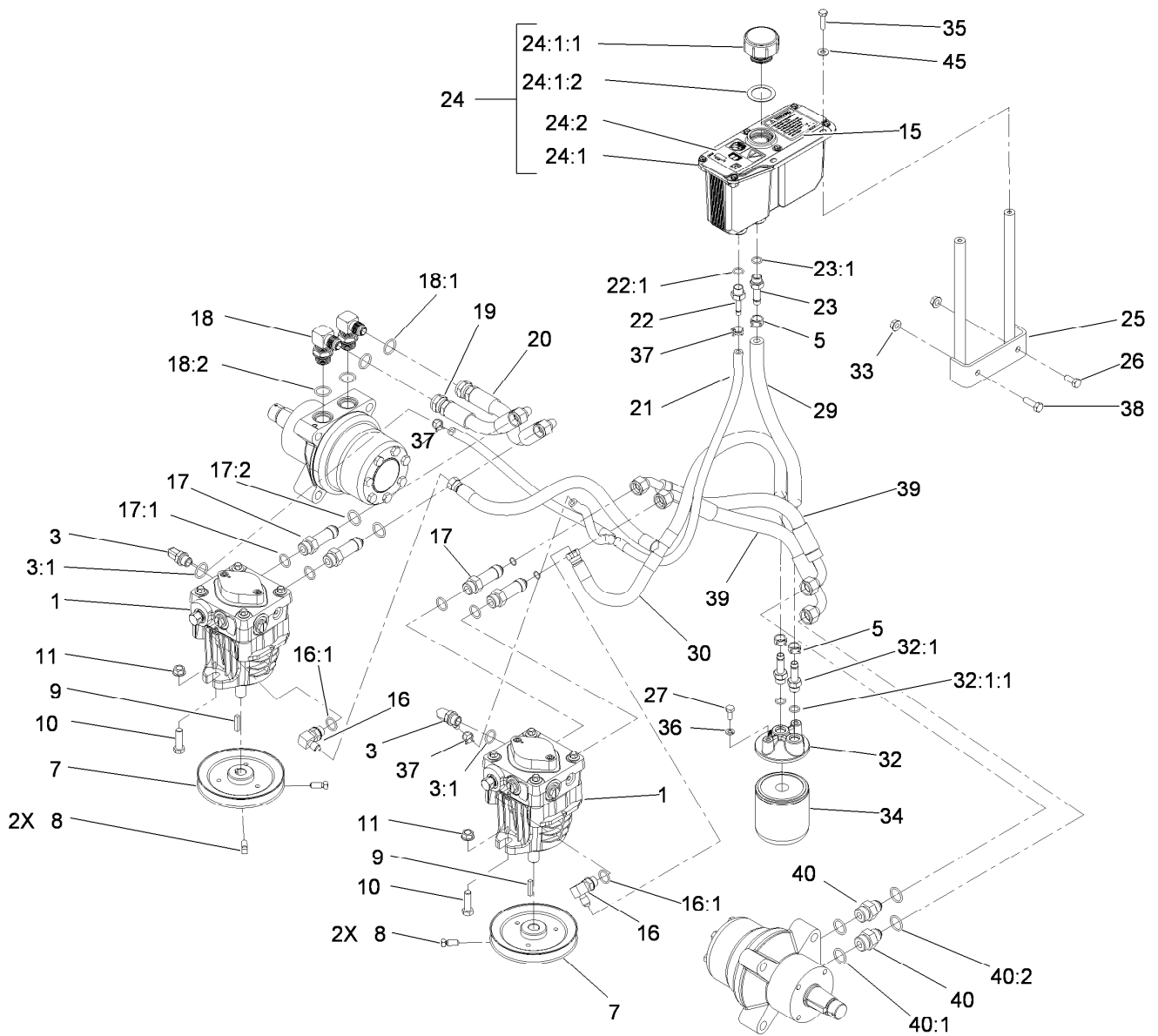
<i>Ref.</i>	<i>Part Number</i>	<i>Qty.</i>	<i>Description</i>
3	1-808280	1	Pin-Clevis
4	103-0407	1	Arm-Shaft, Control
6	109-3903	1	Neutral Return ASM
6:1	1-303105	1	Yoke-Adjustable
6:2	1-603737	1	Bolt-Return, Neutral
6:3	1-603807	1	Spring-Return, Neutral
6:4	109-3769	1	Bushing-Nylon, Flanged
6:5	3219-2	3	Nut-Hex
6:6	3230-23	1	Screw-CARR
6:7	3256-2	1	Washer-Flat
6:8	109-3908	1	Tab-Adjustment
7	323-9	3	Screw-HH
8	3272-5	1	Pin-Cotter
10	3296-39	3	Nut-Lock, NI



Hydraulic Assembly

Ref.	Part Number	Qty.	Description	Ref.	Part Number	Qty.	Description
1	103-1942	2	Pump-HYD	20	1-653187	1	Hose-Rear, RH
3	103-1799	2	Elbow-90 DEG	21	103-2357	1	HYD Hose ASM
3:1	237-42	1	O-Ring	22	103-1801	1	Adapter-Straight
5	103-1988	3	Clamp-Hose	22:1	237-42	1	O-Ring
7	1-653156	2	Pulley	23	103-1912	1	Adapter-Straight
8	1-803050	4	Screw-Set	23:1	237-42	1	O-Ring
9	1-807272	2	Key	24	107-8433	1	HYD Reservoir ASM
10	323-7	4	Screw-HH	24:1		1	Reservoir-HYD ●
11	3290-357	4	Nut-HHF, Whiz	24:1:1	103-1948	1	Cap-Reservoir, HYD
15	103-2644	1	Decal-Exhaust	24:1:2	103-1949	1	Gasket-Cap
16	103-1802	2	Fitting-HYD, 90 DEG	24:2	115-4212	1	Decal-Warning
16:1	1-603921	1	O-Ring	25	103-3071-03	1	Stand-Reservoir
17	103-1940	4	Adapter-HYD, Straight	26	322-3	1	Screw-HH
17:1	237-79	1	O-Ring	27	321-3	2	Screw-HH
17:2	1-603992	1	O-Ring	29	103-3077	1	HYD Hose ASM
18	1-633605	2	Fitting-HYD, 90 DEG	30	103-2930	1	HYD Hose ASM
18:1	1-603992	1	O-Ring	32	103-2889	1	Filter Head ASM
18:2	237-80	1	O-Ring	32:1	103-1912	2	Adapter-Straight
19	1-653186	1	Hose-Front	32:1:1	237-42	1	O-Ring
				40			
				40:1			
				40:2			

● Not serviced separately



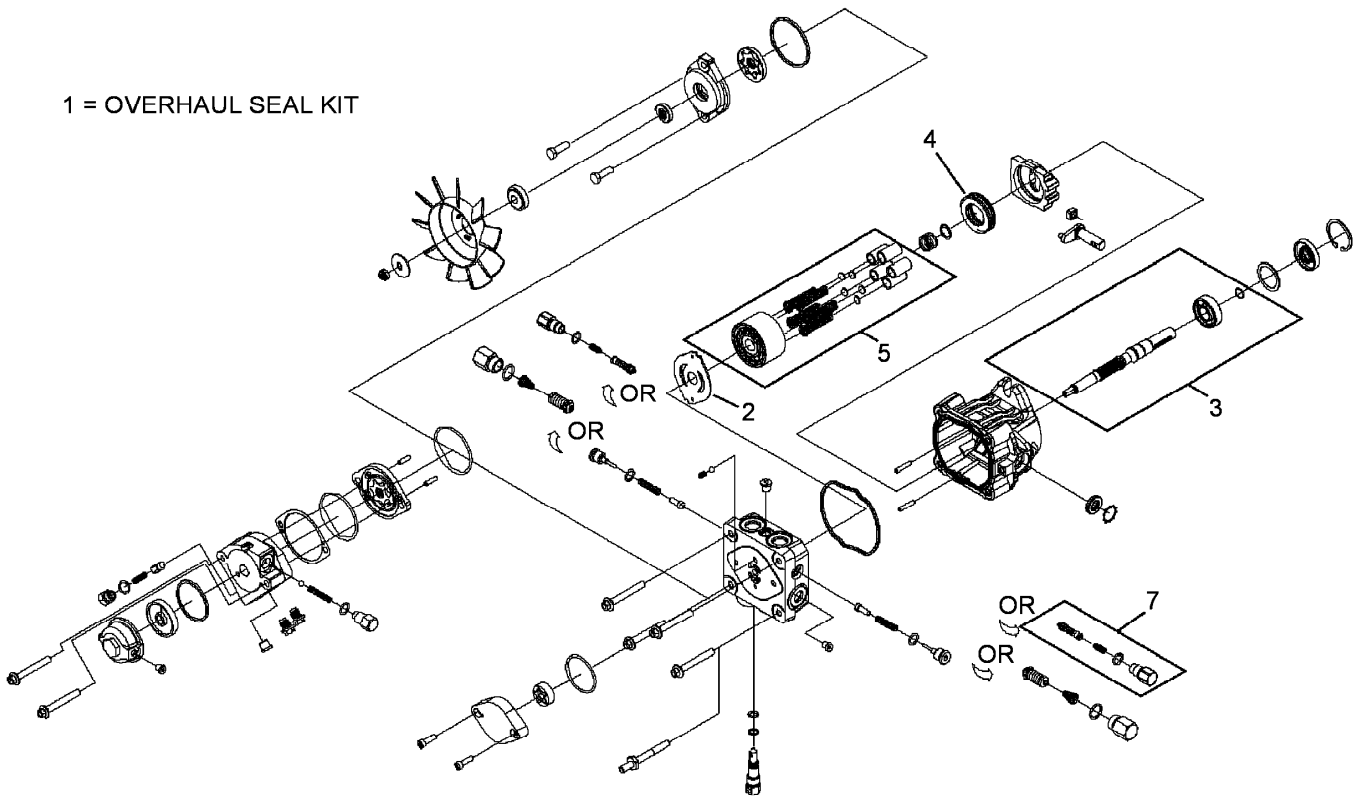
Hydraulic Assembly (continued)

Ref.	Part Number	Qty.	Description
33	32128-20	2	Nut-HF
34	1-633750	1	Filter-Oil, HYD
34	1-633752	1	Filter-HYD, Winter
35	321-6	2	Screw-HH
36	1-805004	2	Washer-Lock
37	103-1716	3	Clamp-Hose

Ref.	Part Number	Qty.	Description
38	322-5	1	Screw-HH
39	103-3809	2	Hose-LH
40	1-603991	2	Fitting-Straight
40:1	237-80	1	O-Ring
40:2	1-603992	1	O-Ring
45	3256-22	2	Washer-Flat

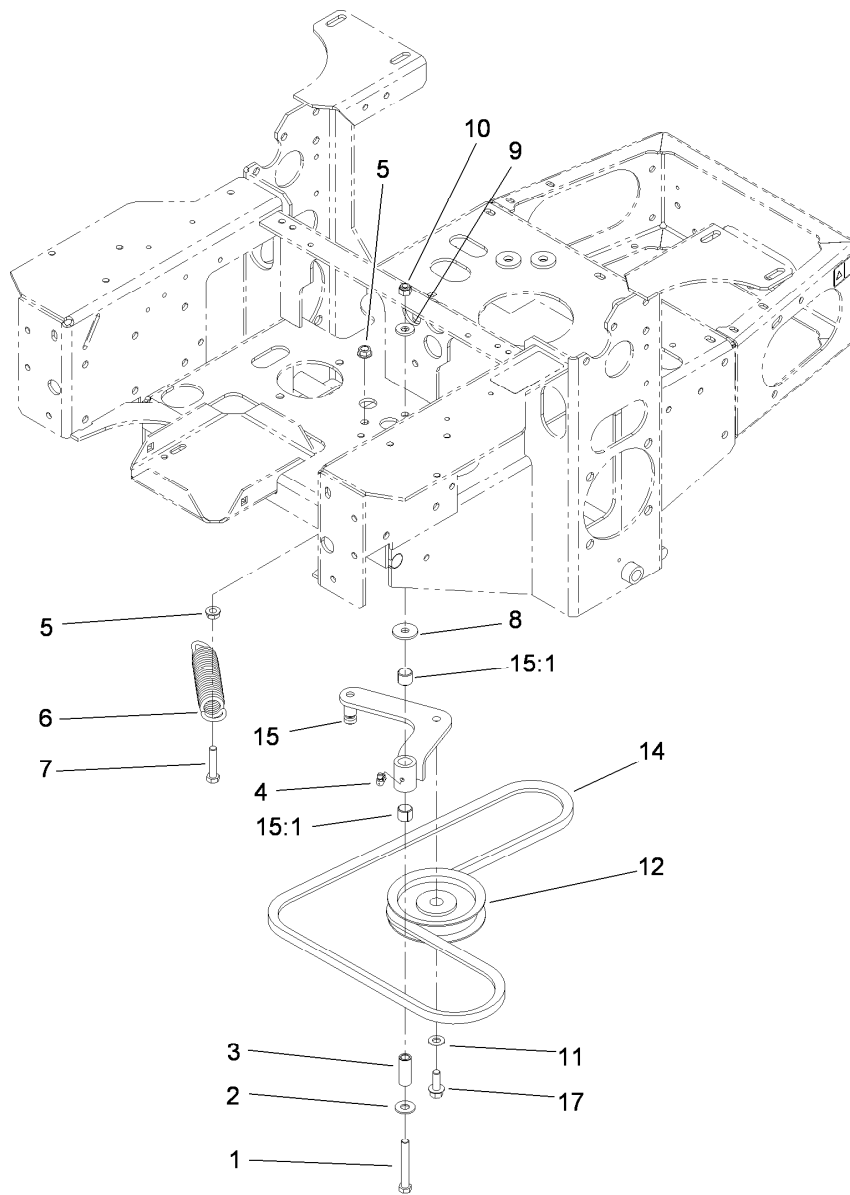
● Not serviced separately

1 = OVERHAUL SEAL KIT



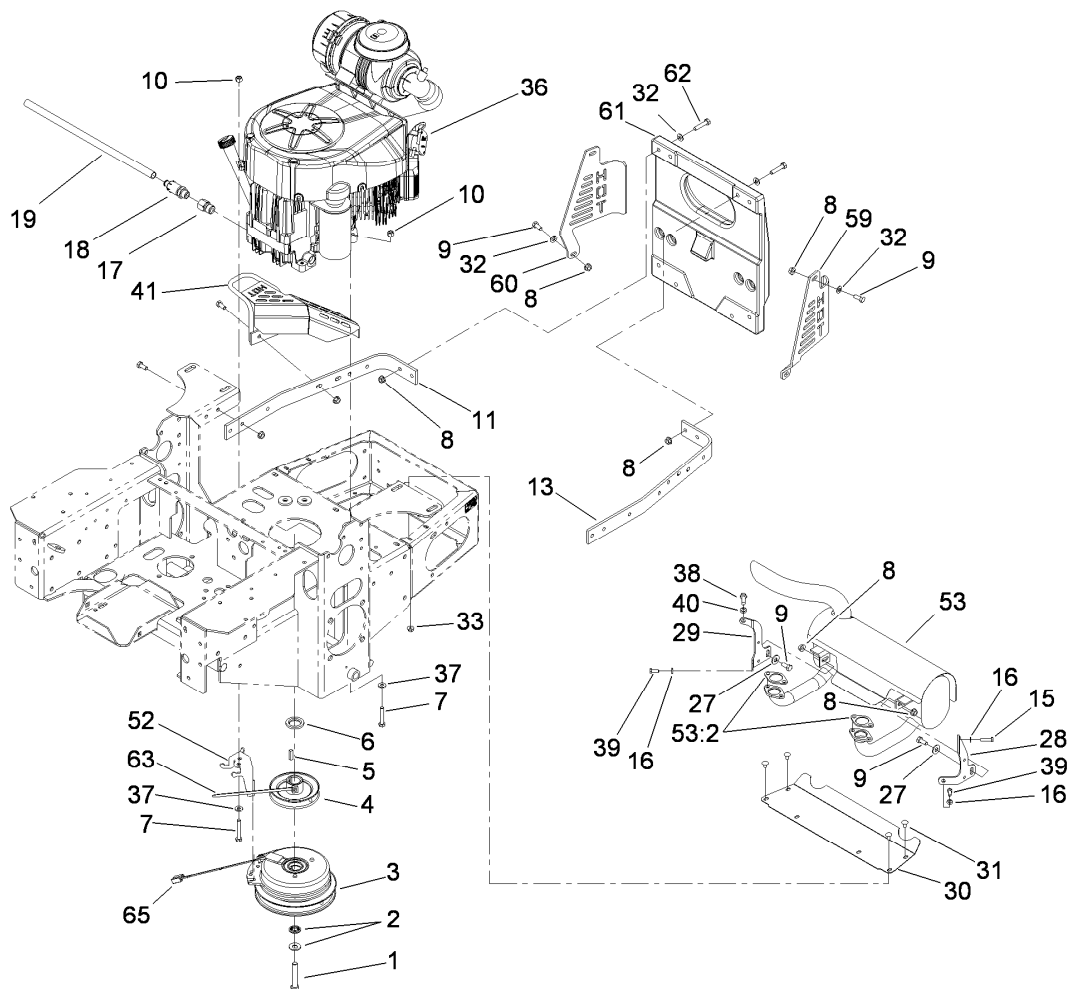
Hydraulic Pump Assembly No. 103-1942

<i>Ref.</i>	<i>Part Number</i>	<i>Qty.</i>	<i>Description</i>
1	105-6184	1	Seal Overhaul Kit
2	105-6185	1	Plate-Valve
3	103-2664	1	Input Shaft Kit
4	94-6922	1	Bearing-Thrust
5	103-2666	1	Cylinder Block Kit
7	106-2053	1	Shock Valve Kit



Pump Idler and Belt Assembly

<i>Ref.</i>	<i>Part Number</i>	<i>Qty.</i>	<i>Description</i>	<i>Ref.</i>	<i>Part Number</i>	<i>Qty.</i>	<i>Description</i>
1	323-13	1	Screw-HH	9	98-5975	1	Washer-Belleville
2	3256-4	1	Washer-Flat	10	3296-39	1	Nut-Lock, NI
3	1-603044	1	Bushing	11	3256-24	1	Washer-Flat
4	302-40	1	Fitting-Grease	12	1-603843	1	Pulley-Idler
5	3290-357	2	Nut-HHF, Whiz	14	107-3960	1	Belt
6	116-0032	1	Spring-Extension	15	103-4482	1	Idler Arm ASM
7	323-9	1	Screw-HH	15:1	103-4681	2	Sleeve-Bearing
8	63-8410	1	Washer	17	3234-11	1	Screw-HHF

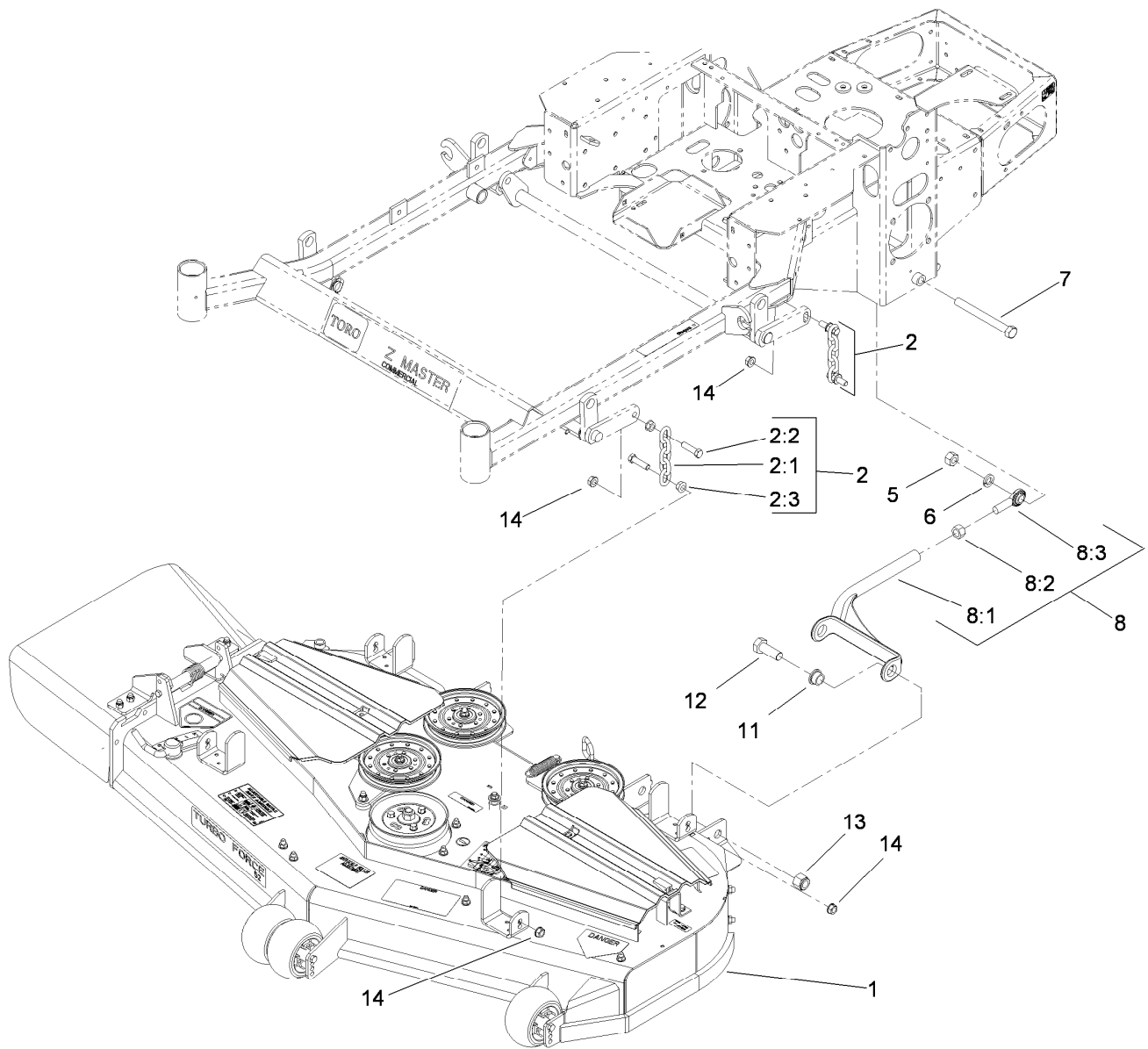


Engine, Clutch and Muffler Assembly

Ref.	Part Number	Qty.	Description
1	3212-12	1	Screw-HH
2	1-603610	2	Washer-Spring
3	109-9276	1	Clutch Kit
4	103-3913	1	Pulley
5	1-807259	1	Key
6	103-2308	1	Spacer-Crankshaft
7	322-10	4	Screw-HH
8	32128-20	29	Nut-HF
9	322-5	15	Screw-HH
10	3296-29	4	Nut-Lock, NI
11	103-3078-03	1	Strap-Guard, RH
13	103-3164-03	1	Strap-Guard, LH
15	33113-025	1	Screw-HH
16	1-805004	3	Washer-Lock
17	103-1966	1	Adapter
18	92-6877	1	Valve-Drain, Oil
19	106-7022	1	Tube-Drain, Oil
27	3256-3	3	Washer-Flat
28	103-2993-03	1	Bracket-Muffler, LH
29	103-2994-03	1	Bracket-Muffler, RH

Ref.	Part Number	Qty.	Description
30	103-2740-03	1	Deflector-Short
31	3229-10	4	Screw-CARR
32	3256-23	12	Washer-Flat
33	32128-33	4	Nut-HF
36		1	Engine-Kawasaki, FH641V-Ds19 ●
37	1-303334	4	Washer-Spring
38	33114-025	1	Screw-HH
39	33113-016	2	Screw-HH
40	1-805005	1	Washer-Lock
41	103-3218-03	1	Guard-Tailpipe
52	109-7070-03	1	Anchor-Clutch
53	103-3427	1	Muffler Kit
53:2	1-653313	2	Gasket-Exhaust
59	103-3287-03	1	Guard-Muffler, LH
60	103-3288-03	1	Guard-Muffler, RH
61	107-8421-03	1	Weight-Notched, 60 Lb
62	322-7	8	Screw-HH
63	1-303335	1	Tie-Plastic
65	109-9274	1	Harness-Clutch

● Not serviced separately

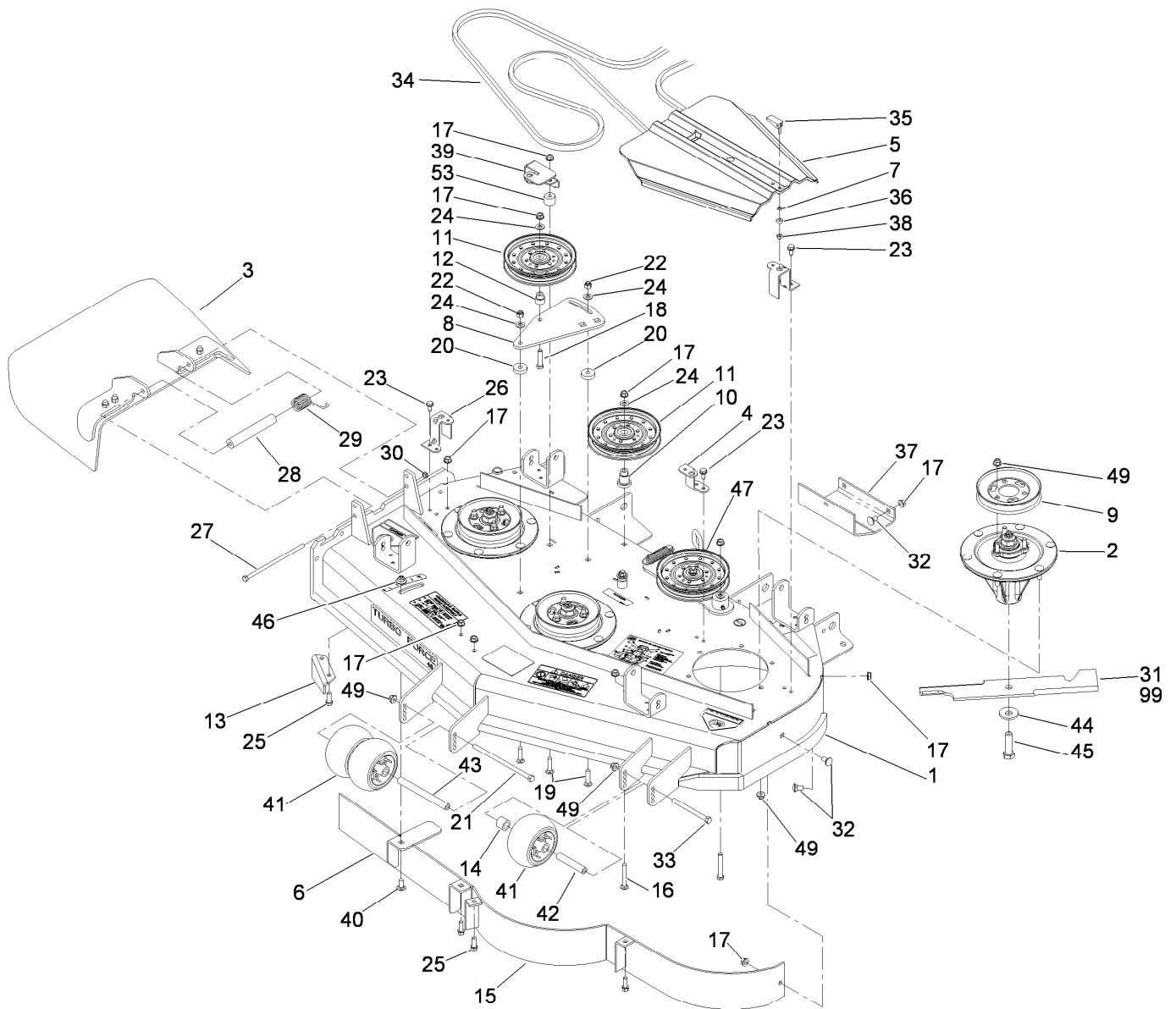


Deck Connection Assembly

Ref.	Part Number	Qty.	Description
1		1	Deck ASM ●
2	103-9792	4	Deck Chain ASM
2:1	1-633447	1	Chain-Lift, Deck
2:2	103-1898	2	Screw-HH
2:3	32128-37	2	Nut-HF
5	3217-11	2	Nut-Hex
6	3253-8	2	Washer-Lock
7	1-800344	2	Screw

Ref.	Part Number	Qty.	Description
8	108-7768	2	Strut ASM
8:1	108-7753-03	1	Strut-Deck
8:2	3219-6	1	Nut-Hex
8:3	1-633029	1	Balljoint-Spherical
11	93-2877	4	Bushing
12	328-24	4	Screw-HH
13	3296-51	4	Nut-Lock, NI
14	32128-37	8	Nut-HF

● Not serviced separately

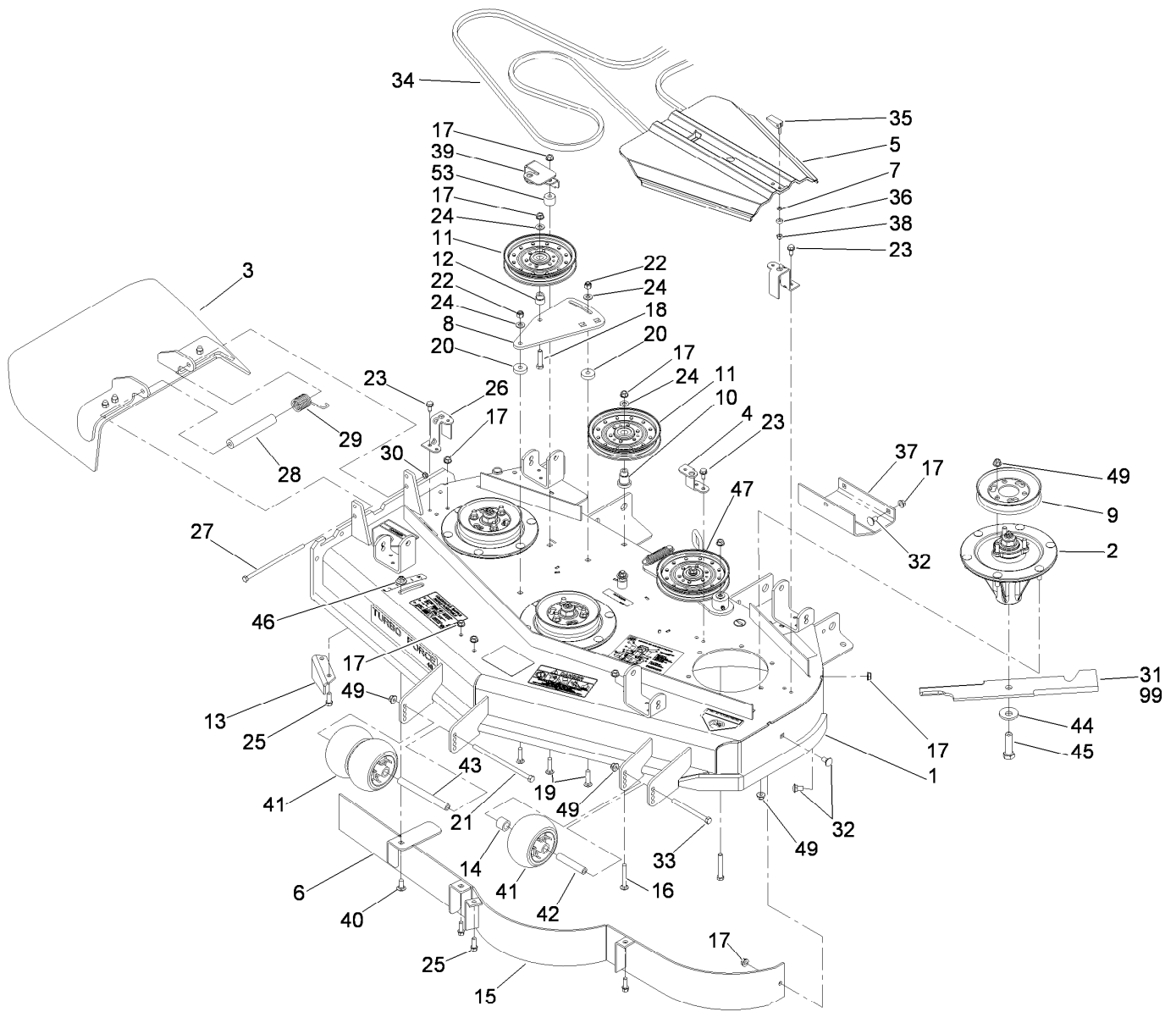


Deck Assembly

Ref.	Part Number	Qty.	Description	Ref.	Part Number	Qty.	Description
1	119-4208	1	Deck Decal ASM	20	105-7788	2	Spacer
2	117-6158	3	Spindle ASM	21	108-5388	1	Screw-HH
3	108-7770	1	Rubber Deflector ASM	22	3296-39	2	Nut-Lock, NI
4	108-2177-01	1	Bracket-Cover, Tall	23	32144-70	3	Screw-HWHTF
5	112-8665	2	Cover-Belt	24	3256-24	4	Washer-Flat
6	115-7455-01	1	Baffle ASM	25	92-1624	5	Screw-HWH
7	99-3058	2	Washer	26	119-4220-01	2	Bracket-Cover
8	119-4223-01	1	Plate - Idler	27	322-50	1	Screw-HH
9	107-1684	3	Pulley	28	105-4622	1	Spacer
10	106-3214	1	Mount-Pulley	29	108-4052	1	Spring-Torsion
11	1-633109	2	Idler-Flat	30	3296-47	1	Nut-Lock, NI
12	1-603496	1	Bushing-Idler	31	107-3192-03	3	Blade-16.5 Inch (High Flow)
13	107-8541-01	1	Baffle-Discharge	32	3231-1	7	Screw-CARR
14	98-7913	1	Tube-Spacer	33	323-23	1	Screw-HH
15	107-8510-01	1	Baffle ASM	34	114-8154	1	Belt-V
16	3231-31	1	Screw-CARR	35	106-6777	2	Handle-Latch, Swell
17	3290-357	15	Nut-HHF, Whiz	36	106-6778	2	Bushing-Latch, Swell
18	323-9	1	Screw-HH	37	107-3166-01	1	Skid
19	3231-4	3	Screw-CARR	38	1-804254	2	Nut

● Optional Equipment

■ Not serviced separately

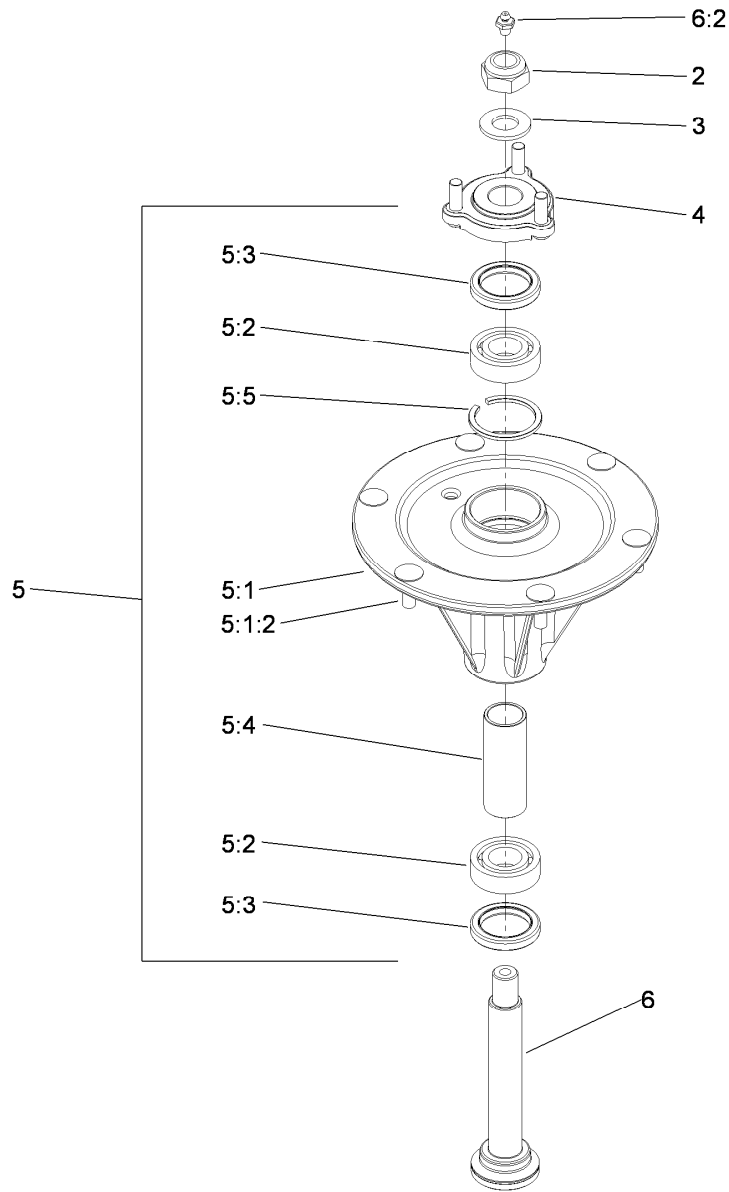


Deck Assembly (continued)

Ref.	Part Number	Qty.	Description	Ref.	Part Number	Qty.	Description
39	119-4226-01	1	Bracket - Cover	49	104-8301	29	Nut-Flange, NI
40	3231-27	1	Screw-CARR	53	92-5791	1	Spacer
41	1-603299	3	Roller-Scalp, Anti	99	107-3196-03	3	Blade-Recycler, 16.5 Inch ●
42	98-7912	1	Tube-Spanner	99	107-3195-03	3	Blade-Rotary, 16.5 Inch (Atomic) ●
43	98-5967	1	Spacer-Wheel	99	107-3194-03	3	Blade-Rotary, 16.5 Inch (Med Flow) ●
44	103-0865	3	Washer-Blade Bolt, Heavy	99	107-3193-03	3	Blade-Rotary, 16.5 Inch (Low Flow) ●
45	51-4060	3	Screw-Blade				
46	109-6658	1	Nut-Flange, NI (Super)				
47		1	Spring Idler ASM ■				

● Optional Equipment

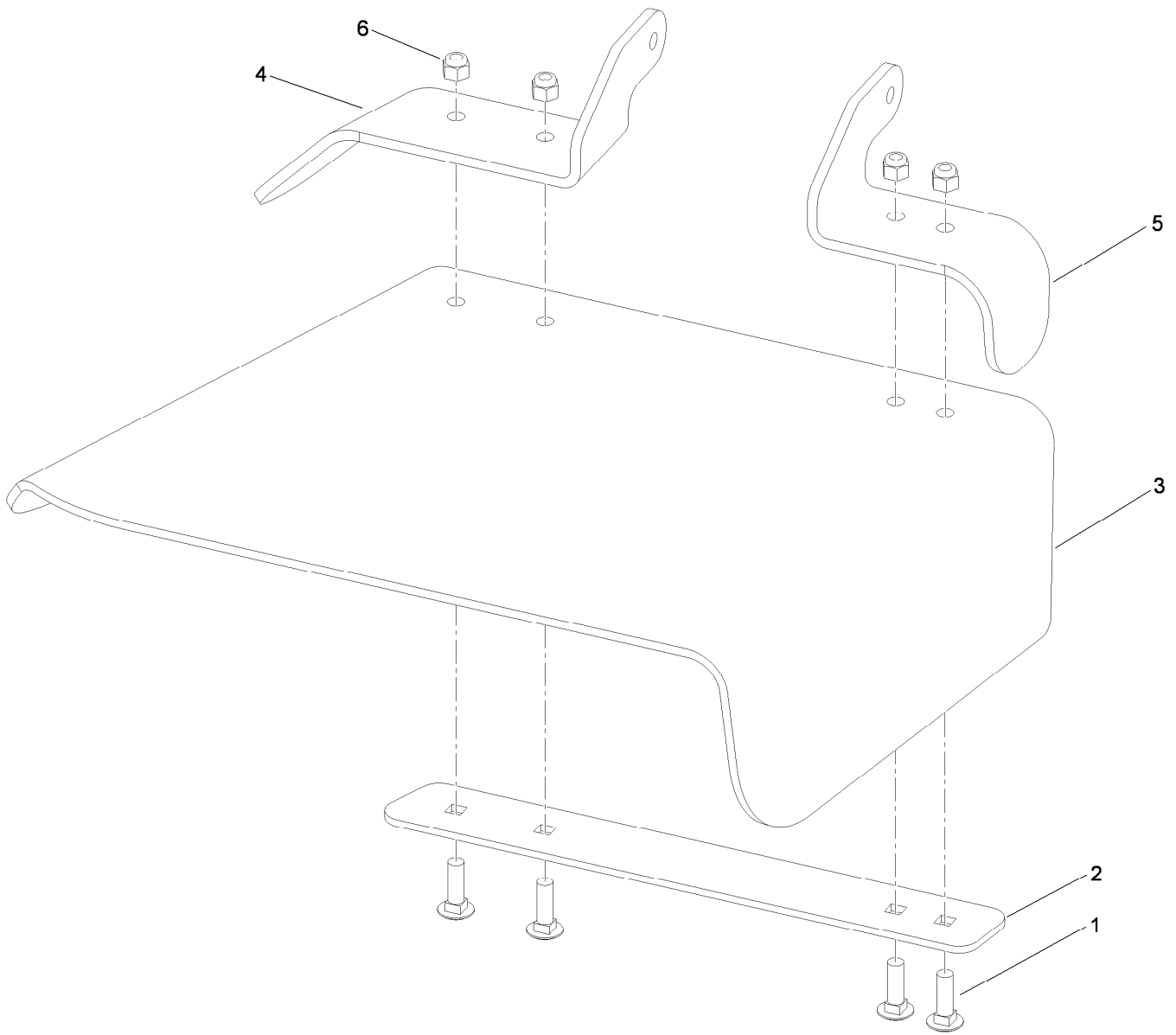
■ Not serviced separately



Spindle Assembly No. 117-6158

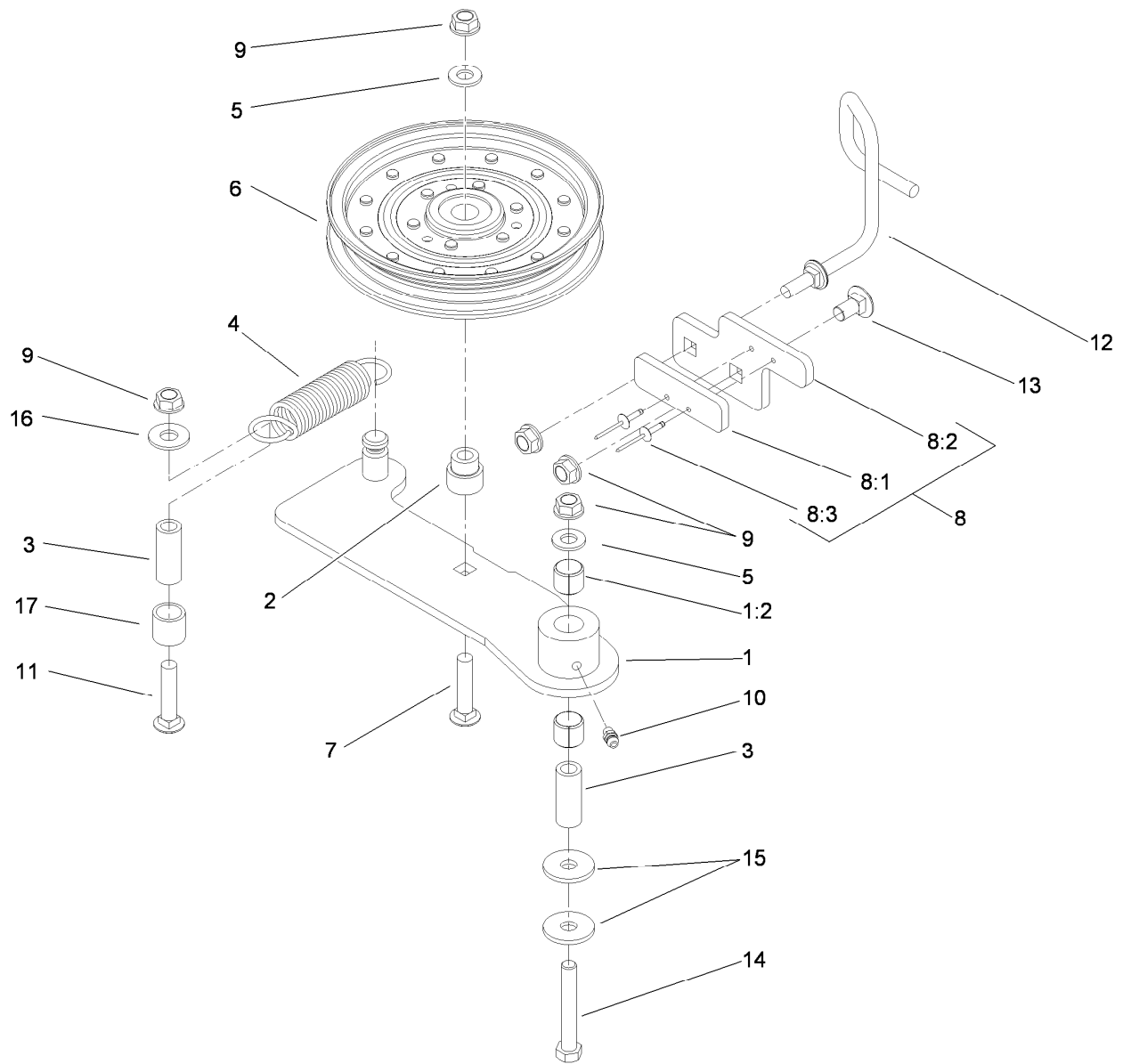
Ref.	Part Number	Qty.	Description
2	3296-67	1	Nut-Lock NI
3	92-5836	1	Washer
4	117-6172	1	Spindle Hub ASM (W/Studs)
5	117-6157	1	Spindle Housing And Ball Bearing ASM
5:1		1	Spindle Housing And Studs ASM ●
5:1:2	114-8195	6	Bolt-Ribbed Neck
5:2	76-7500	2	Bearing-Ball
5:3	253-133	2	Seal-Oil
5:4	117-6184	1	Spacer
5:5	114-8161	1	Ring-Snap
6	119-1851	1	Spindle Shaft And Zerk ASM
6:2	302-2	1	Fitting-Grease

● Not serviced separately



Rubber Deflector Assembly No. 108-7770

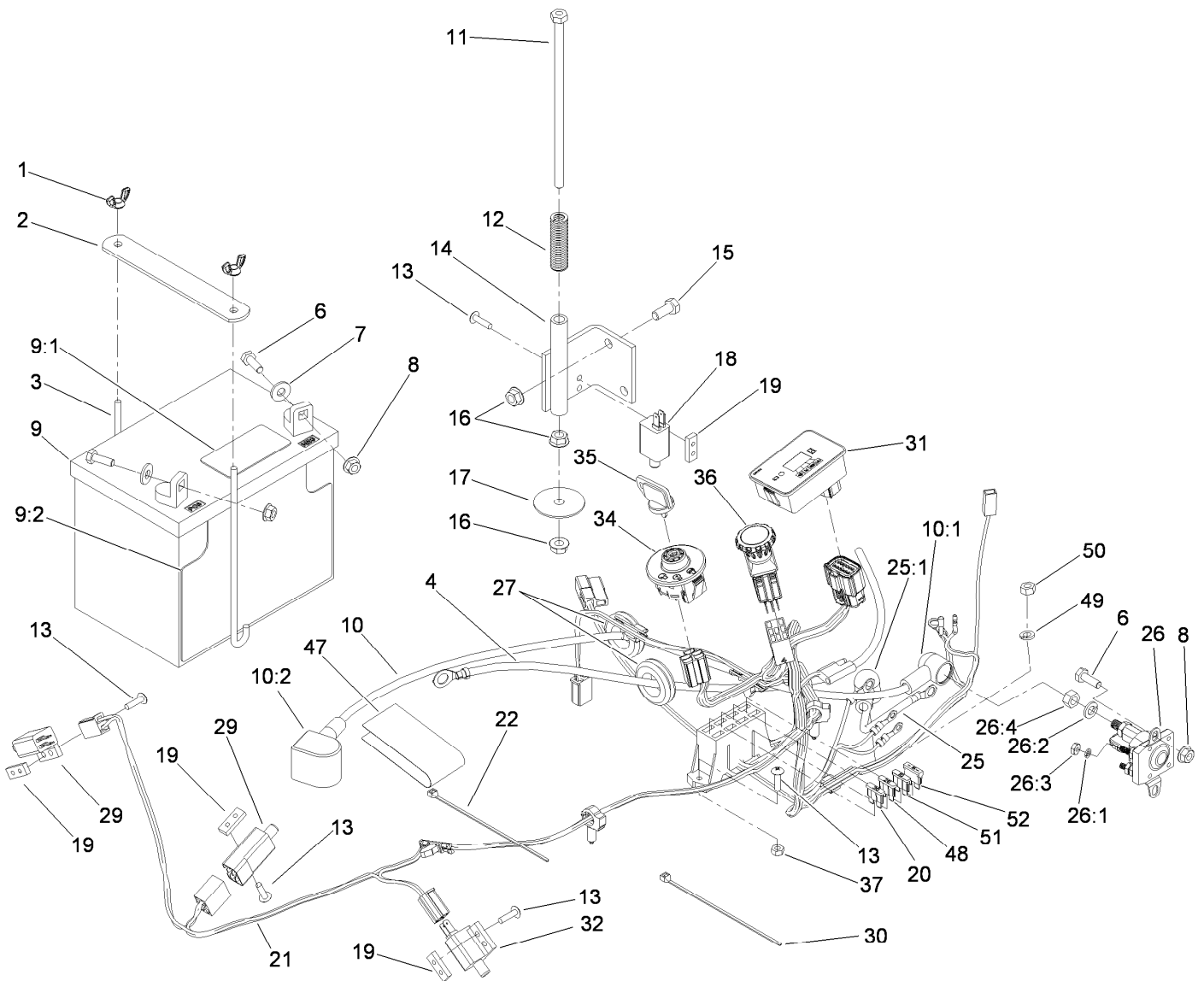
<i>Ref.</i>	<i>Part Number</i>	<i>Qty.</i>	<i>Description</i>
1	3231-25	4	Screw-CARR
2	106-3248-03	1	Strap-Discharge
3	108-5029	1	Deflector-Rubber
4	108-7767-03	1	Bracket-Hinge, Rear
5	108-7766-03	1	Bracket-Hinge, Front
6	3296-39	4	Nut-Lock, NI



Idler Assembly

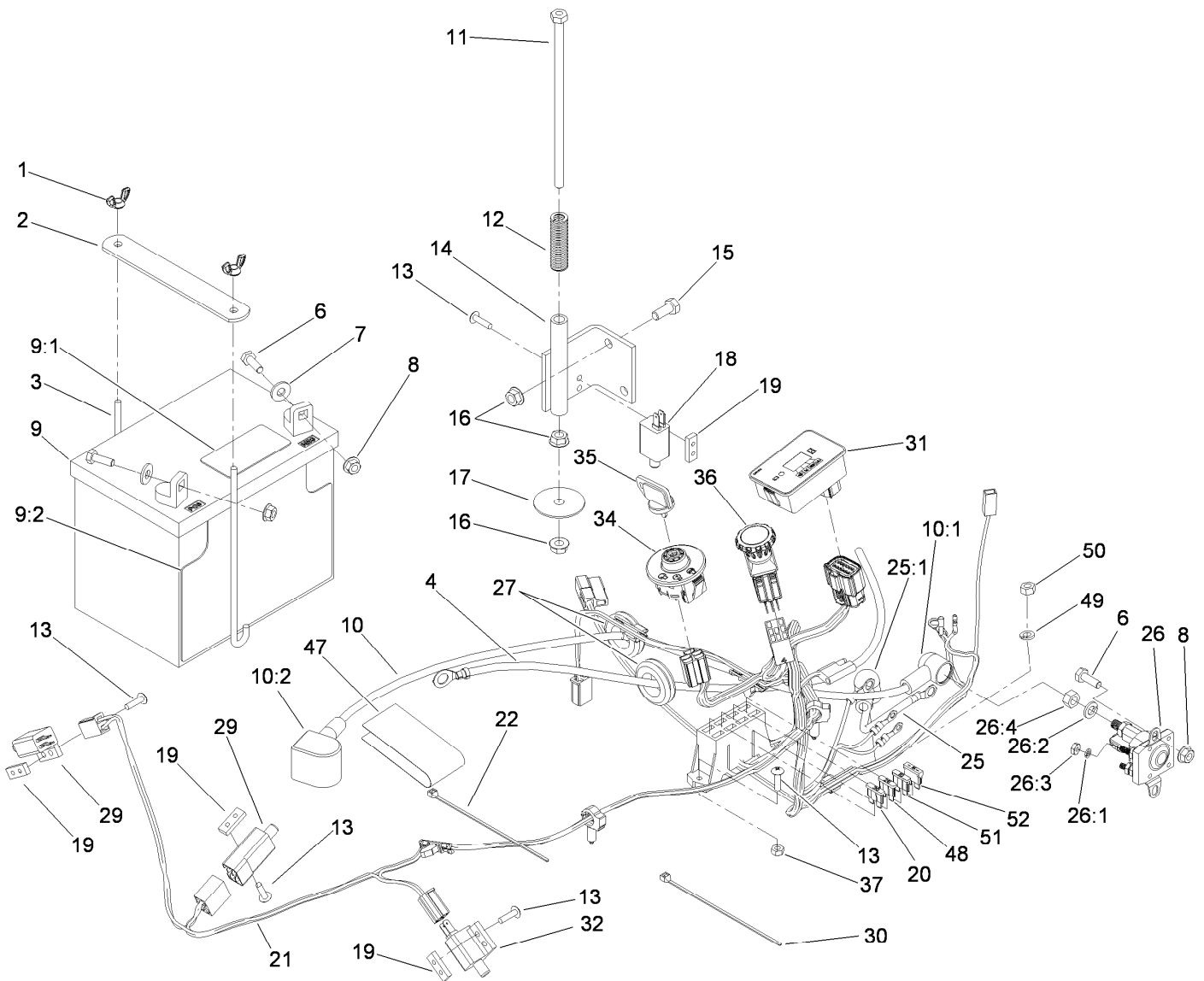
Ref.	Part Number	Qty.	Description	Ref.	Part Number	Qty.	Description
1	108-4062	1	Idler Arm ASM	8:3	3269-24	2	Rivet
1:2	103-4681	2	Sleeve-Bearing	9	3290-357	5	Nut-HHF, Whiz
2	1-603496	1	Bushing-Idler	10	302-5	1	Fitting-Grease
3	1-603044	2	Bushing	11	3231-31	1	Screw-CARR
4	108-4056	1	Spring-Extension	12	108-4072	1	Guide-Belt
5	3256-24	2	Washer-Flat	13	3231-1	1	Screw-CARR
6	1-633109	1	Idler-Flat	14	323-12	1	Screw-HH
7	3231-6	1	Screw-CARR	15	2844	2	Washer
8		1	Stop Pad ASM ●	16	3256-4	1	Washer-Flat
8:1	106-3229	1	Pad-Bumper	17	108-4063	1	Spacer-Rubber
8:2	107-1697-01	1	Plate-Stop				

● Not serviced separately



Electrical Assembly

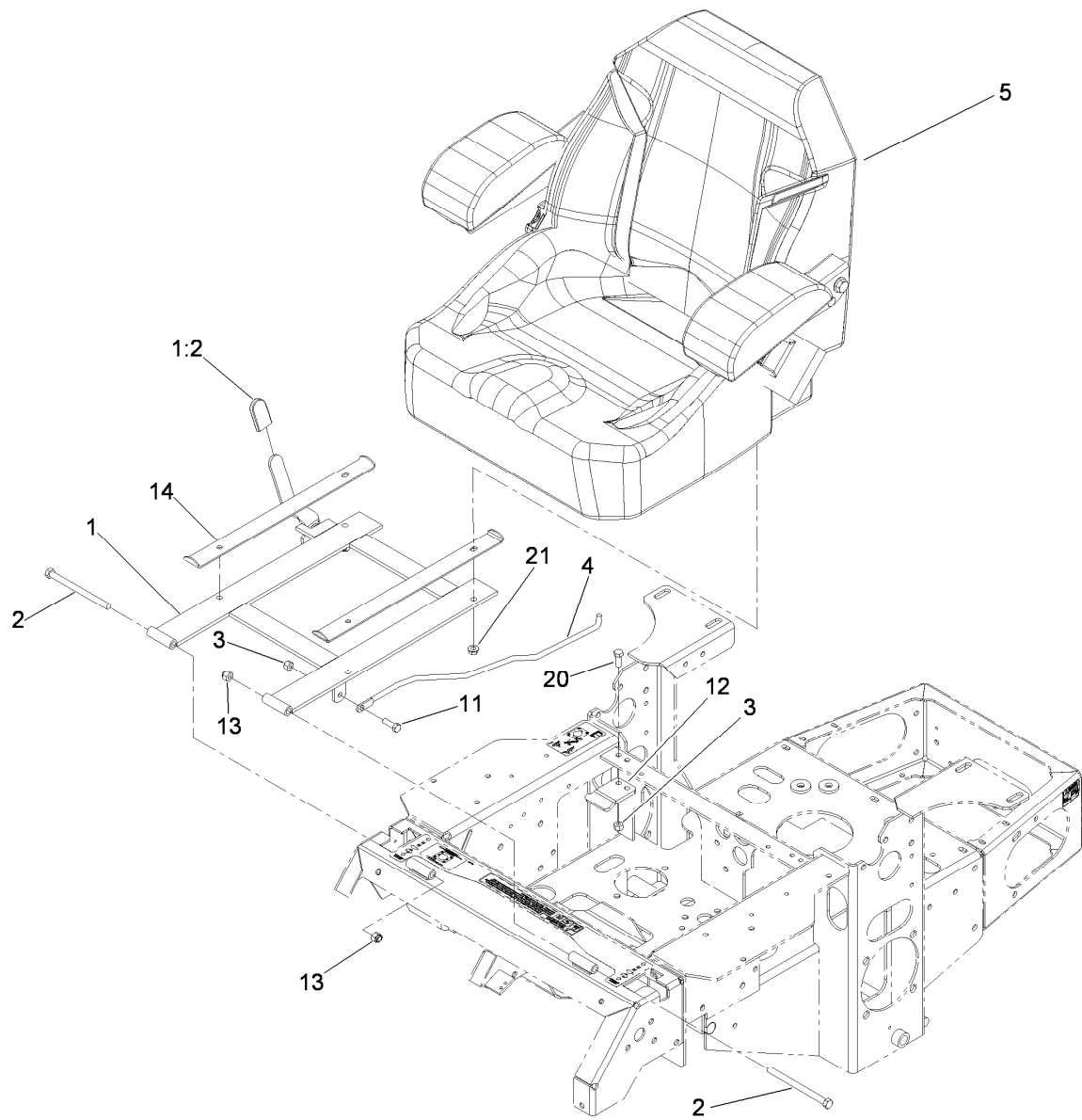
Ref.	Part Number	Qty.	Description	Ref.	Part Number	Qty.	Description
1	1-543792	2	Wingnut	19	1-633181	4	Plate-Tapped
2	107-9277-03	1	Strap-Holddown, Battery	20	109103	1	Fuse-30 Amp
3	1-633651	2	Bolt-Holddown	21	114-4444	1	Harness-Electrical
4	103-0705	1	Cable-Ground, Negative	22	1-303287	3	Tie-Plastic
6	321-4	4	Screw-HH	25	109-7620	1	Positive Starter Cable ASM
7	3256-2	2	Washer-Flat	25:1	1-543393	2	Insulator-Solenoid
8	32128-33	4	Nut-HF	26	1-513075	1	Switch-Solenoid
9	105-1692	1	Battery	26:1	3253-17	2	Washer-Lock
9:1	104-4163	1	Decal-Battery	26:2	3253-4	2	Washer-Lock
9:2	104-4164	1	Decal-Battery	26:3	3219-14	2	Nut-Hex
10	109-7621	1	Positive Battery Cable ASM	26:4	3220-2	2	Nut-Jam
10:1	1-543393	1	Insulator-Solenoid	27	1-543286	2	Grommet
10:2	109-2407	1	Insulator-Battery	29	1-513051	2	Switch-Open, Normally
11	1-800282	1	Screw-HH	30	1-303335	4	Tie-Plastic
12	1-523415	1	Spring-Switch, Seat	31	112-8650	1	Hour Meter ASM
13	1-803075	10	Screw-Head, Truss	32	1-633111	1	Switch
14	1-652072-03	1	Bracket-Switch, Seat	34	117-2221	1	Switch-Ignition
15	322-3	2	Screw-HH	35	63-8360	2	Key-Ignition
16	32128-20	4	Nut-HF	36	116-0124	1	Switch-PTO, 10A
17	1-653036	1	Washer	37	3296-2	2	Nut-Lock, NI
18	1-513152	1	Switch-Closed, Normally				



Electrical Assembly (continued)

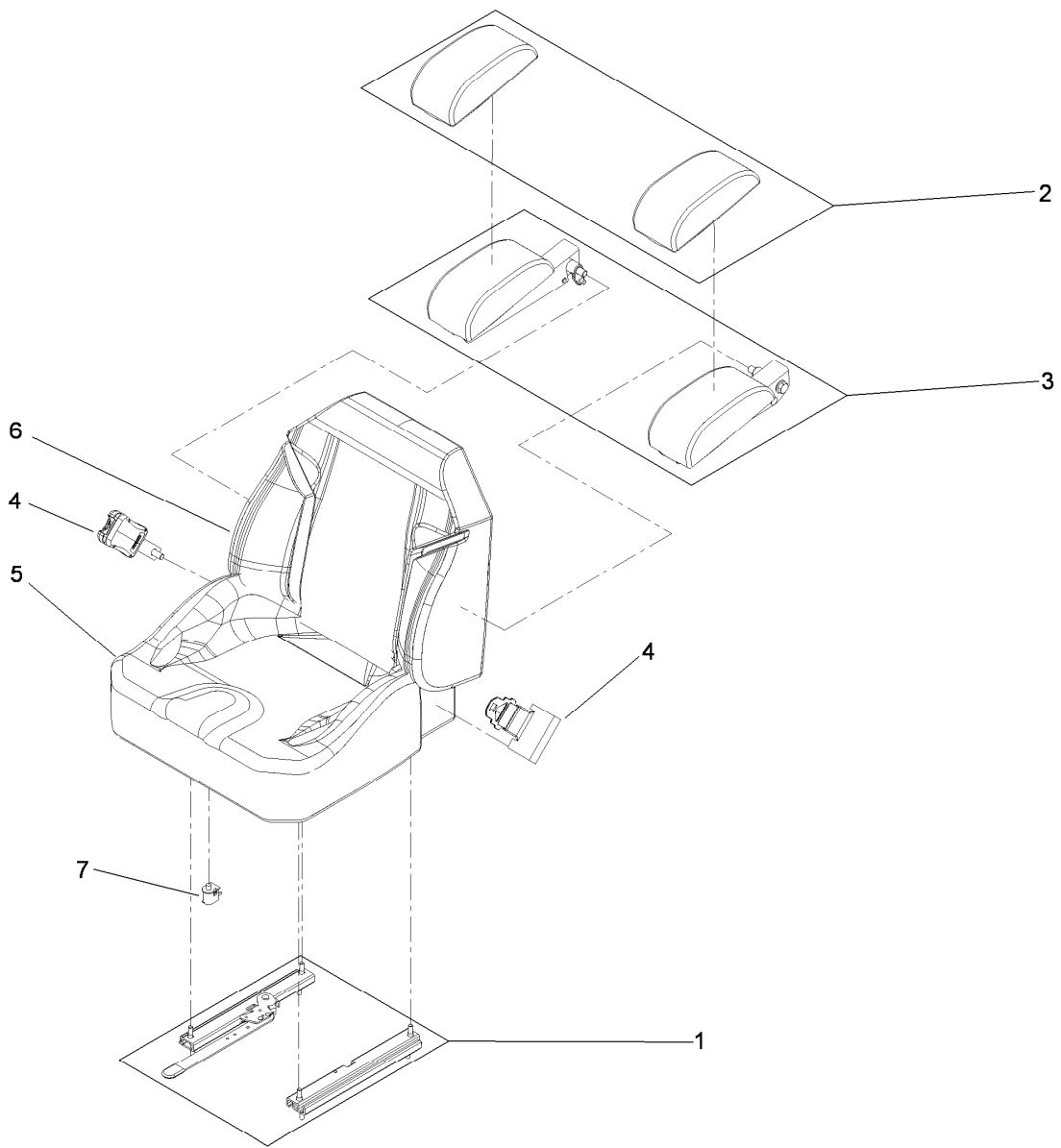
<i>Ref.</i>	<i>Part Number</i>	<i>Qty.</i>	<i>Description</i>
47	107-9309	1	Decal-Instructions, Charging
48	109102	1	Fuse-25 Amp
49	1-805004	1	Washer-Lock

<i>Ref.</i>	<i>Part Number</i>	<i>Qty.</i>	<i>Description</i>
50	3217-5	1	Nut-Hex
51	218-578	1	Fuse-10 Amp
52	109355	1	Fuse-15 Amp



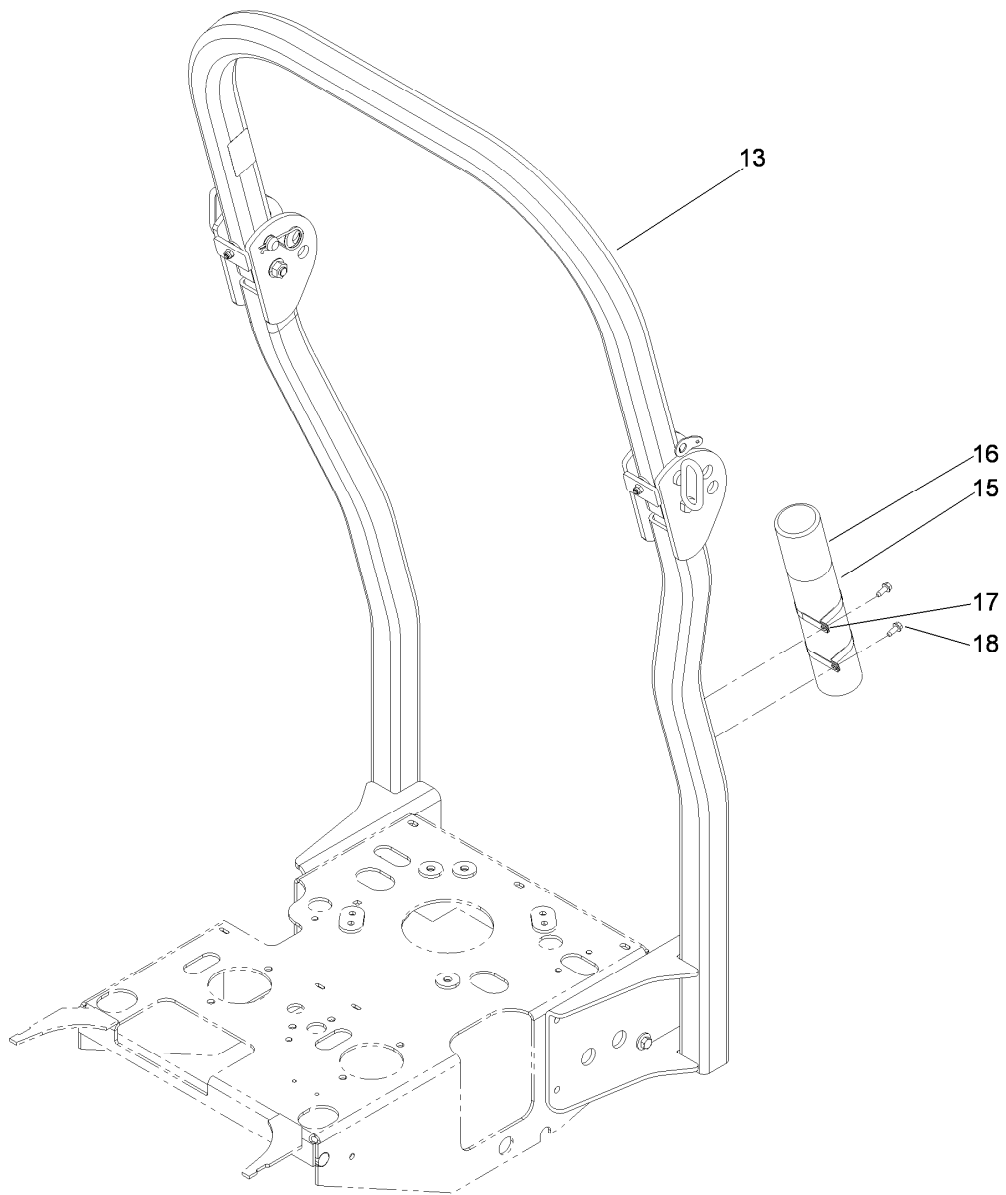
Seat Mounting Assembly

<i>Ref.</i>	<i>Part Number</i>	<i>Qty.</i>	<i>Description</i>
1	110-5850	1	Seat Frame And Latch ASM
1:2	103-4434	1	Grip-Lever
2	323-39	2	Screw-HH
3	3296-29	3	Nut-Lock, NI
4	103-1731	1	Rod-Retainer, Seat
5	116-0853	1	Seat-Standard
11	322-5	1	Screw-HH
12	103-5961	1	Catch-Latch, Seat
13	3296-39	2	Nut-Lock, NI
14	1-633872-03	2	Stop-Seat
20	322-4	2	Screw-HH
21	32128-20	4	Nut-HF



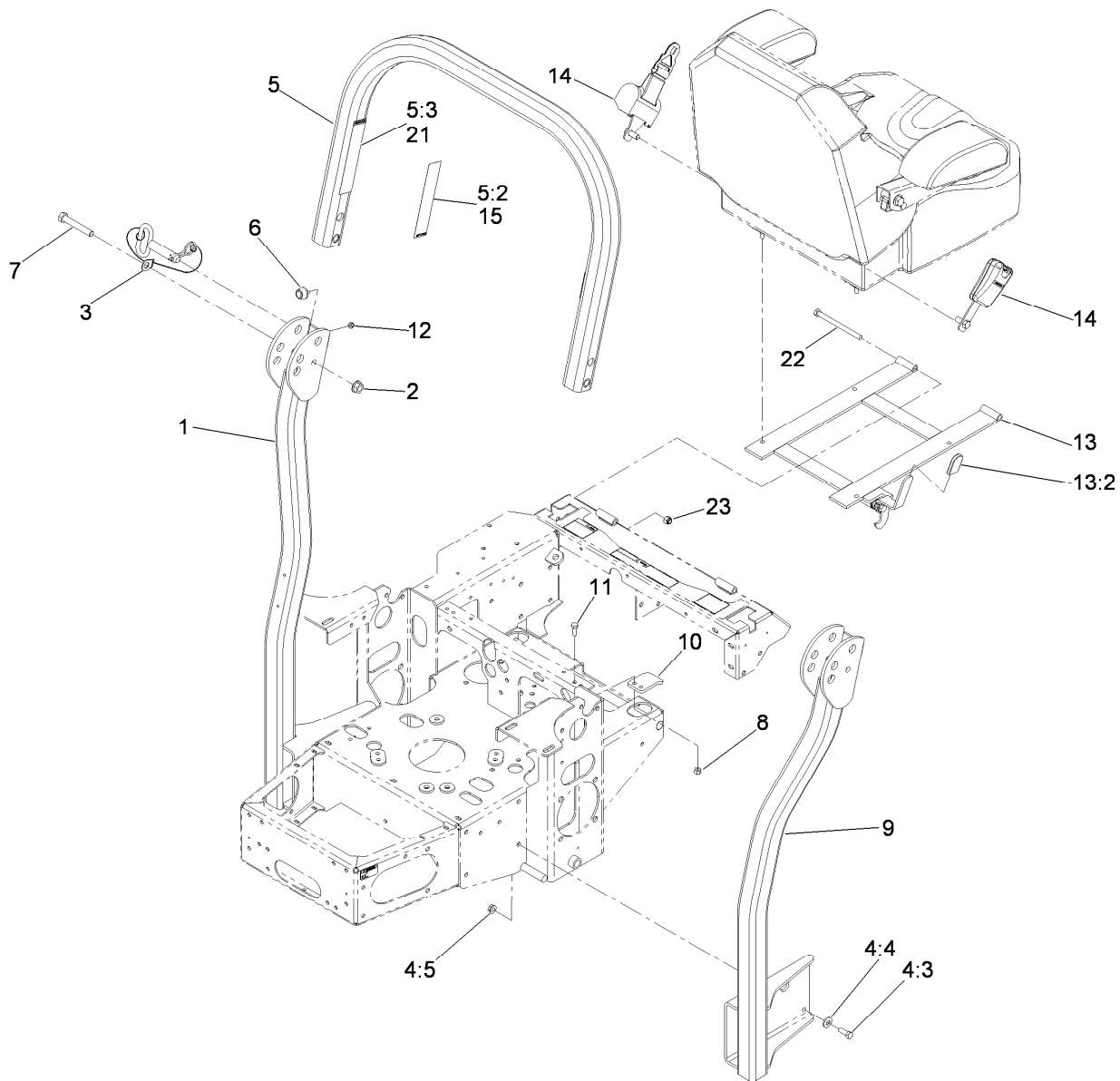
Seat Assembly No. 116-0853

<i>Ref.</i>	<i>Part Number</i>	<i>Qty.</i>	<i>Description</i>
1	109-9801	1	Seat Track Set
2	109-9802	1	Arm Rest Pad Set
3	109-9803	1	Arm Rest Set
4	109-9805	1	Seat Belt Kit
5	109-9806	1	Cover-Cushion
6	109-9808	1	Cover-Back
7	82-2190	1	Switch-Bail



Roll-Over Protection System Assembly

<i>Ref.</i>	<i>Part Number</i>	<i>Qty.</i>	<i>Description</i>
13	119-6653	1	ROPS Kit
15	104-7050	1	Tube-Manual
16	104-7048	1	Cap-Housing
17	107-1865	2	R-Clamp
18	32144-10	2	Screw-HWH



Roll-Over Protection System Assembly No. 119-6653

Ref.	Part Number	Qty.	Description	Ref.	Part Number	Qty.	Description
1		1	LH Tube Support ASM ■	9		1	RH Tube Support ASM ■
2	32128-23	2	Nut-HF	10	103-5961	1	Catch-Latch, Seat
3	103-4553	2	ROPS Fold Pin ASM	11	322-4	2	Screw-HH
4		1	Bag-Bolt, ROPS ●■	12	3296-73	2	Nut-Lock, NI
4:3	323-6	8	Screw-HH	13	110-5850	1	Seat Frame And Latch ASM
4:4	98-5975	8	Washer-Belleville	13:2	103-4434	1	Grip-Lever
4:5	3290-357	8	Nut-HHF, Whiz	14	109-9805	1	Seat Belt Kit
5		1	Upper Tube ASM ■	15	107-3069	1	Decal-Warning, Folding ROPS
5:2	107-2100	1	Decal	21	107-2102	1	Decal-Warning, Folding ROPS
5:3	107-2102	1	Decal-Warning, Folding ROPS	22	323-39	2	Screw-HH
6	109-2365	2	Bumper-Rubber (W/Stud)	23	3296-39	2	Nut-Lock, NI
7	325-13	2	Screw-HH				
8	3296-29	2	Nut-Lock, NI				

● Not illustrated

■ Not serviced separately

Attachments and Accessories

For 74444 Z400 Z Master, With 48in TURBO FORCE Side Discharge Mower

Product Name	Model/Part
Standard High Lift Blade	107-3192-03
Blade-Low Flow, 16.5 Inch.....	107-3193-03
Blade-Mid Flow, 16.5 Inch.....	107-3194-03
Blade-Atomic, 16.5 Inch.....	107-3195-03
Blade-Recycling, 16.5 Inch	107-3196-03
Z Stand Kit	107-8599
Recycler Kit	108-2209
Blade-Hi Flow, 16.5 Inch (6 Pack).....	110-0414
Blade-Lo Flow, 16.5 Inch (6 Pack)	110-0415
Blade-Recycler, 16.5 Inch (6 Pack).....	110-0416
Blade-Atomic, 16.5 Inch (6 Pack).....	110-0417
Blade-Mid Flow, 16.5 Inch (6 Pack).....	110-0418
Semi Pnuematic Wheel Assembly	110-5745
Hypr-oil 500 (quart).....	114-4713
Hypr-oil 500 (gallon)	114-4714
Hypr-oil 500-5 (5 Gallon).....	114-4715
Bimini Folding Shade Assembly	115-4510
Chute Gate Kit	78521
Deluxe Suspension Seat Kit	78530
Twin Bagger Assembly	78531
Blower and Drive Kit	78536
DFS E-Z Vac Collection System	78541
Hitch Kit	99-8924

Notes:

Notes:



Count on it.