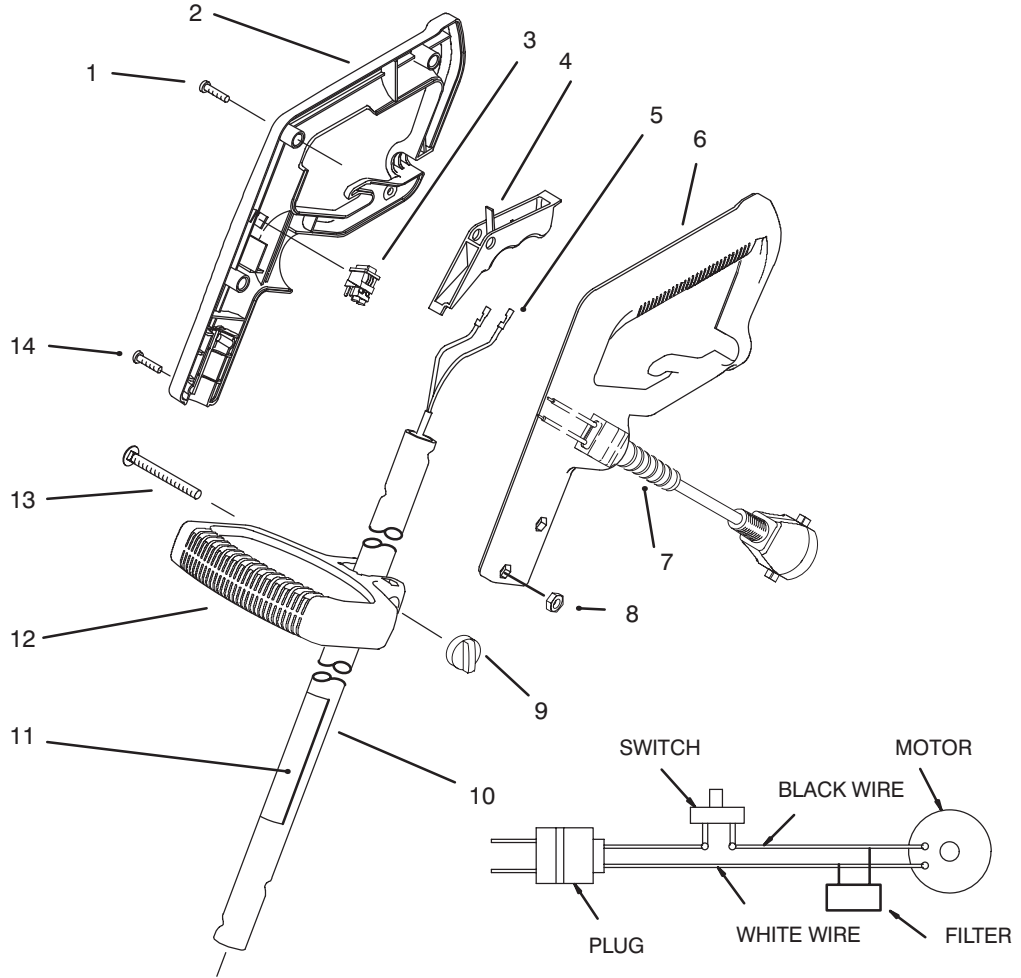




<b>MODEL NO. 51249-590001- 690001 &amp; UP</b>	<b>PARTS CATALOG</b>
<b>25CM ELECTRIC TRIMMER</b>	

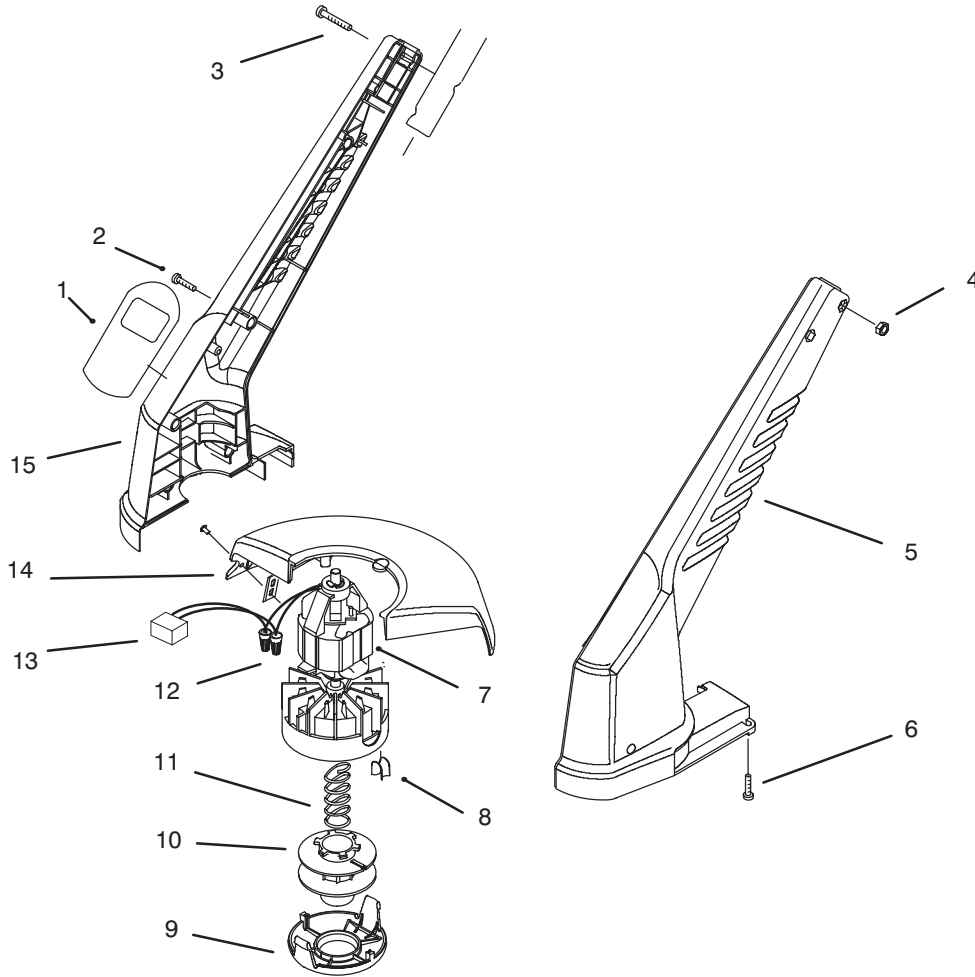


C-2328

## HANDLE ASSEMBLY

Ref. No.	Part No.	Description	No. Used
1	32104-121	Screw - Pan Hd Tapping	4
2	73-8151	Grip - Hand R.H.	1
3	73-9950	Switch	1
4	73-8170	Trigger	1
5	93-4459	Harness - Wire	1
6	73-8161	Grip - Hand L.H.	1
7	93-0556	Cord - Power	1
8	3217-44	Nut - Lock	2

Ref. No.	Part No.	Description	No. Used
9	64-6660	Knob	1
10	93-4485	Tube Assembly (Incl. Ref. #11)	1
11	93-9098	Decal - Safety	1
12	73-8310	Handle - Mid	1
13	3229-32	Screw - Carriage	1
14	3250-52	Screw - Pan Hd.	2



C-2329

## MOTOR & HOUSING ASSEMBLY

Ref. No.	Part No.	Description	No. Used
1	94-4453	Decal - 25CM Trimmer	1
2	73-9970	Housing R.H.	1
3	3250-52	Screw - Pan Hd.	2
4	3217-44	Nut - Hex	2
5	73-9980	Housing L.H.	1
6	32104-121	Screw - Pan Hd. Tapping	7
7	93-8709	Motor Assembly - Trimmer (Incl. Ref. #8)	1
8	73-8210	Eyelet	1
9	73-8200	Cap	1

Ref. No.	Part No.	Description	No. Used
10	73-8190	Spool	1
11	73-8220	Spring	1
12	73-6570	Connector - Wire Nut	2
13	73-9960	Fliter	1
14	73-9090	Shield	1
15	73-9970	Housing R.H.	1
*	93-4466	Spool & Line Assembly (Incl. Ref. #10) (Parts)	1
*	88176	Spool & Line Assembly (Whole Goods)	1

\*Not Illustrated