



CE Kit

2010 and After Groundsmaster® 5900/5910 Traction Unit

Model No. 117-9449

Installation Instructions

1

Install the Hood Latch

Parts needed for this procedure:

1	Latch Key
1	Latch
1	Latch Bracket
3	Carriage Screw
3	Flange Nut

Procedure

1. Park the machine on a level surface, lower the decks, engage the parking brake and turn the engine off. Remove the key from the ignition switch.
2. Unlatch and raise the hood.
3. Remove the plug from the square hole in the right side of the hood. Discard the plug.
4. Remove the locking nut from the latch assembly (Figure 1).
5. Install the locking latch through the square hole in the right side of the hood (Figure 1). The catch must be positioned inside the hood and pointing downward.

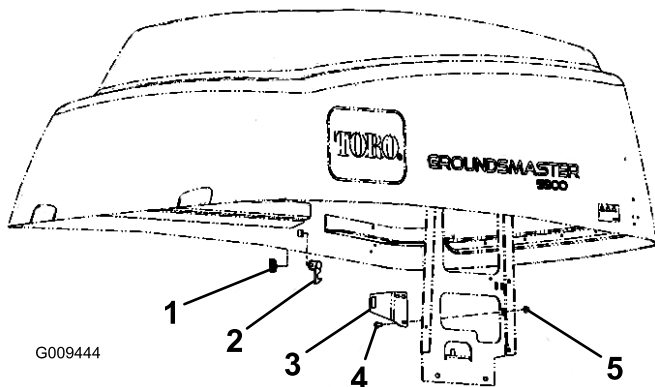


Figure 1

- | | |
|------------------|-------------------|
| 1. Latch key | 4. Carriage screw |
| 2. Latch | 5. Flange nut |
| 3. Latch bracket | |

6. Install the locking nut onto the latch to secure it to the hood.
7. Locate the (3) holes in the right side of the radiator support (Figure 1). Mount the latch bracket to the radiator support with (3) carriage screws and flange nuts. Position the latch bracket as shown in Figure 1.
8. Close the hood slowly to see if latch catches. If it does not, loosen the screws securing the latch bracket to the radiator support and adjust the bracket as necessary. Tighten the screws and verify the latch catches.
9. Use the key to lock/unlock latch. Store the key in a convenient and memorable place.

2

Install the Side Panel Hardware

Parts needed for this procedure:

4	Screw (5/16 x 3/4 inch)
4	Push nut (5/16 inch)
1	Hex nut (5/16 inch) For assembling push nut only

Procedure

1. Remove the existing hardware securing the side panel to the machine and discard (Figure 2). Remove the side panel.

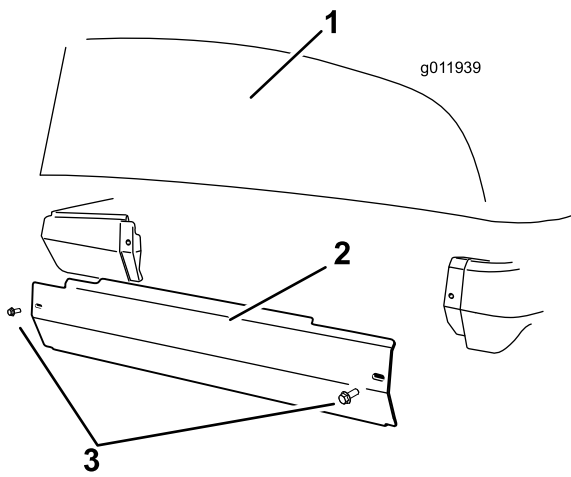


Figure 2

- 1. Hood
- 2. Side panel
- 3. Screw (5/16 x 3/4 inch)

2. Install the screw (5/16 x 3/4 inch) to the side panel and turn over to install the push nut onto the bolt (Figure 3).

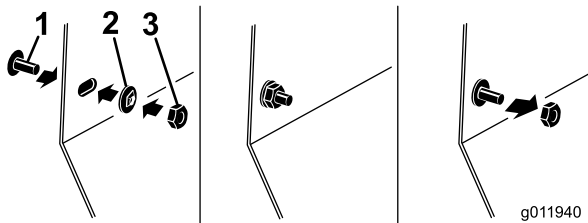


Figure 3

- 1. Retained fastener
- 2. Side panel
- 3. Machine

3. Install the hex nut (5/16 inch) over the screw and push nut (5/16 inch) and tighten to flatten the push nut onto screw (Figure 3).
4. Remove the hex nut and repeat the action on to flatten all remaining push nuts on the side panel. Remove the hex nut when finished and discard. Install the side panel with the retained fastener to the machine (Figure 4).

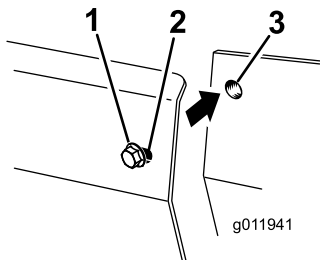


Figure 4

Important: The fasteners on the covers of this machine are designed to remain on the cover

after removal. Loosen all of the fasteners on each cover a few turns so that the cover is loose but still attached, then go back and loosen them until the cover comes free. This will prevent you from accidentally stripping the bolts free of the retainers.

3

Install the Speed Limiter

Parts needed for this procedure:

1	Spacer plate
1	Stop plate
2	Plastic plug

Procedure

1. Carefully puncture the decal material on the console panel to expose the existing holes in front of the engine speed selector and engine speed increment/decrement switches (Figure 5).

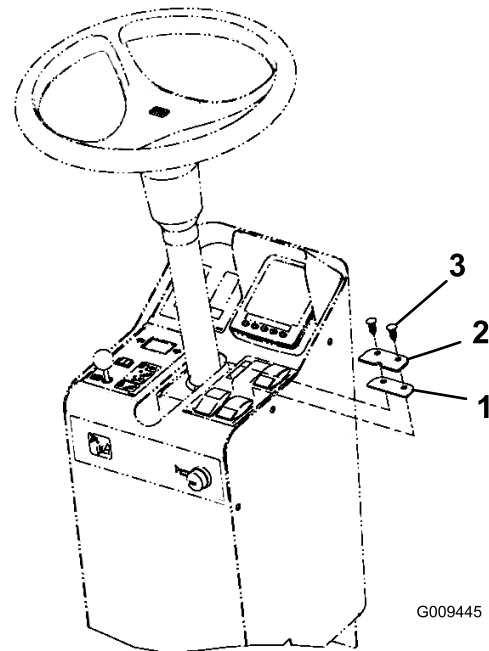


Figure 5

- 1. Spacer plate
- 2. Stop plate
- 3. Plastic plugs

2. Position the spacer plate onto the console panel so the holes align with the holes in the console and the back (straight) edge of the spacer plate aligns with the switch base (Figure 5).

Note: Do not install the plastic plugs until the spacer and stop plates are positioned under the switches.

3. While aligning the mounting holes, position the stop plate onto the spacer plate. The stop plate should be positioned under the switches (Figure 5).
4. Secure the plates to the console with the plastic plugs (Figure 5).

4

Adjust the Cutting Deck Position Switches

No Parts Required

Procedure

1. Park the machine on a hard level surface and engage the parking brake.
2. Raise all three decks so that the outermost (highest) cutting blade tip circle of each deck is no higher than 36 cm above the floor. Place a jack stand under each deck to prevent them from falling if they are accidentally lowered.
3. Turn the engine off.
4. To adjust the wing deck switch, proceed as follows;
 - A. Loosen the fasteners securing the sensor plate to the lift arm (Figure 6).

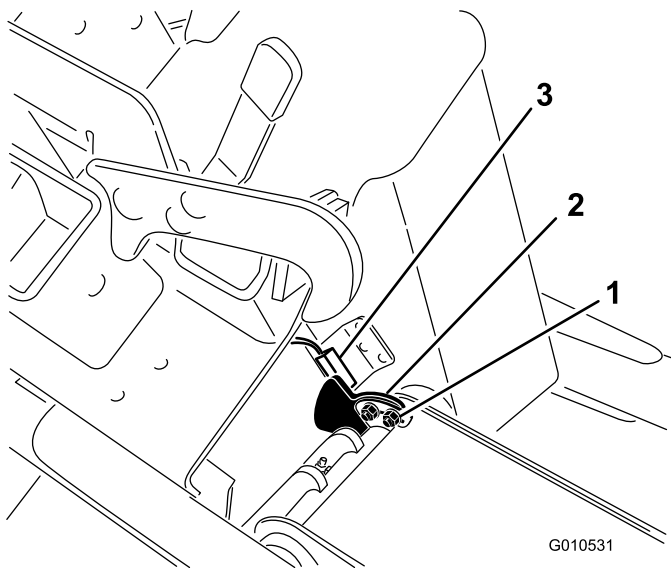


Figure 6

- | | |
|------------------------------------|------------------------------|
| 1. Sensor plate mounting fasteners | 3. Position switch fasteners |
| 2. Sensor plate | |

- B. Turn the ignition key to the RUN position.

Important: The decks will lower if the lift switch is actuated when the operator is in the seat and the ignition key is in the RUN position.

- C. While using the High/Low Range diagnostic screen on the InfoCenter, rotate the sensor plate just until the appropriate **right** or **left** Deck Down input reads OFF. Refer to the Groundsmaster 5900 Service Manual for information on InfoCenter operation.

This is the point in the raise sequence of the deck where the deck position switch will shut off the deck motor.

- D. Tighten the sensor plate mounting fasteners.

- E. Repeat the procedure on the other wing deck switch.

5. To adjust the front deck switch, proceed as follows;
 - A. Loosen the fasteners securing the switch bracket to the frame (Figure 7).

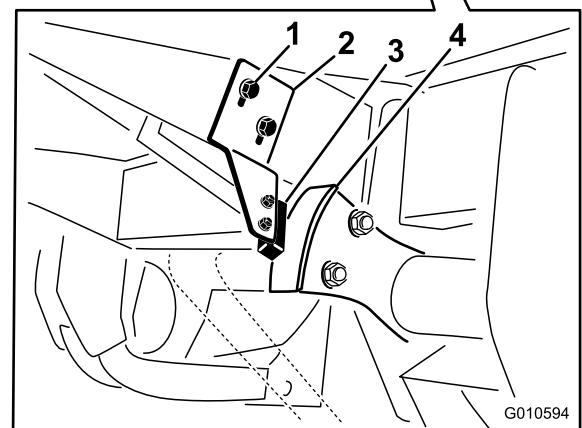
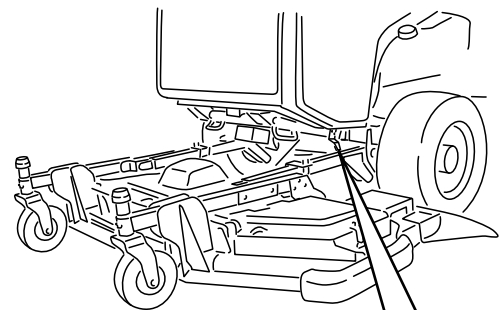


Figure 7

- | | |
|---------------------------------------|------------------------------|
| 1. Position switch mounting fasteners | 3. Position switch fasteners |
| 2. Position switch mounting | 4. Sensor plate bracket |

- B. Turn the ignition key to the RUN position.

Important: The decks will lower if the lift switch is actuated when the operator is in

the seat and the ignition key is in the RUN position.

- C. While using the High/Low Range diagnostic screen on the InfoCenter, move the position switch bracket just until the front Deck Down input reads OFF. Refer to the Groundsmaster 5900 Service Manual for information on InfoCenter operation.

This is the point in the raise sequence of the deck where the deck position switch will shut off the deck motor.

- D. Tighten the switch bracket mounting fasteners. Gap between sensing plate and switch target should be maintained at 0.100 inches (+/- 0.030 inches).

Note: The use of safety glasses is recommended during the next step.

- 6. Operating each deck individually, verify the correct operation of the switch by raising the deck with the PTO engaged and observing that the blade disengages before the outer blade tip of the deck exceeds 39 cm.

5

Install Belt Cover Hardware

Parts needed for this procedure:

11	Thrust washer
11	Push nut (5/16 inch)

Procedure

1. Remove the bolt securing the belt cover to the deck and remove the belt covers.
2. Install the existing bolt into the dedicated hole in the belt cover. Install the thrust washer and push nut from underneath to the existing bolt to retain it to the belt cover as shown in Figure 8.

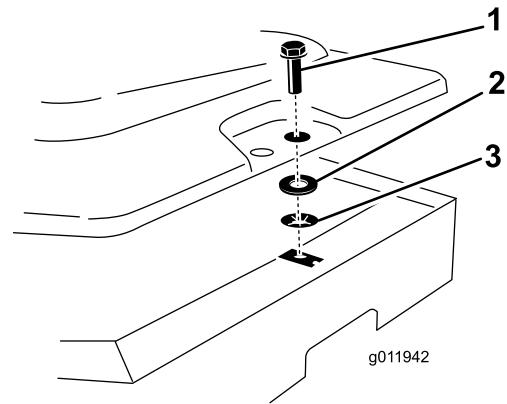


Figure 8

1. Bolt (existing)
2. Thrust washer
3. Push nut (5/16 inch)

3. Install the belt cover to the deck. Use the retained bolt to secure it to the deck.
4. Repeat for all the belt cover hardware.

6

Install the Decals

Parts needed for this procedure:

1	CE Compliance Decal
1	CE Warning Decal
1	Production Year Decal (included in traction unit loose parts)

Procedure

1. Thoroughly clean the area where you will install the decal (Figure 9).

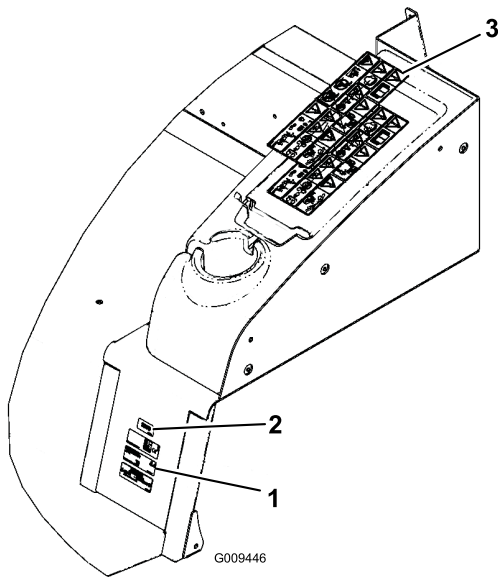


Figure 9

1. CE compliance decal (Part No. 117-2761)
2. Production year decal (included in traction unit loose parts)
3. CE Warning decal (Part No. 117-2766, apply over existing decal)

-
2. Dampen the area with water or mildly soapy water.
 3. Peel the backing from the decals and install the decals at the locations shown in Figure 9.
 4. Squeegee across the surface of each decal, starting at the center and working toward the edges, using overlapping strokes.

Notes:

Notes:



Count on it.