



# Comb and Scraper Kit

## For Reelmaster®3100-D Series DPA Cutting Units

Model No. 114-9376

Model No. 114-9377

### Installation Instructions

**Note:** Determine the left and right sides of the machine from the normal operating position.

## Loose Parts

Use the chart below to verify that all parts have been shipped.

Description	Qty.	Use
Comb bracket	1	Install the comb and scraper kit.
Comb scraper	1	
Comb plate	1	
Comb	1	
Carriage bolt (1/4 x 1 inch)	4	
Locknut (1/4 inch)	4	
Flat washers (if required)	8	

## Installing the Comb and Scraper Kit

- Place the mower on a level surface.
- Remove the bolt and flange nut securing each end of front roller to roller brackets. Discard the bolts and flange nuts.
- Thread a flange nut onto each bolt as shown in Figure 1.

**Note:** The comb/scraper assembly is loosely assembled at the factory. Do not tighten the locknuts at this time.

- Mount each end of the comb bracket to the top of each roller bracket with a flange nut and bolt as shown in Figure 1.

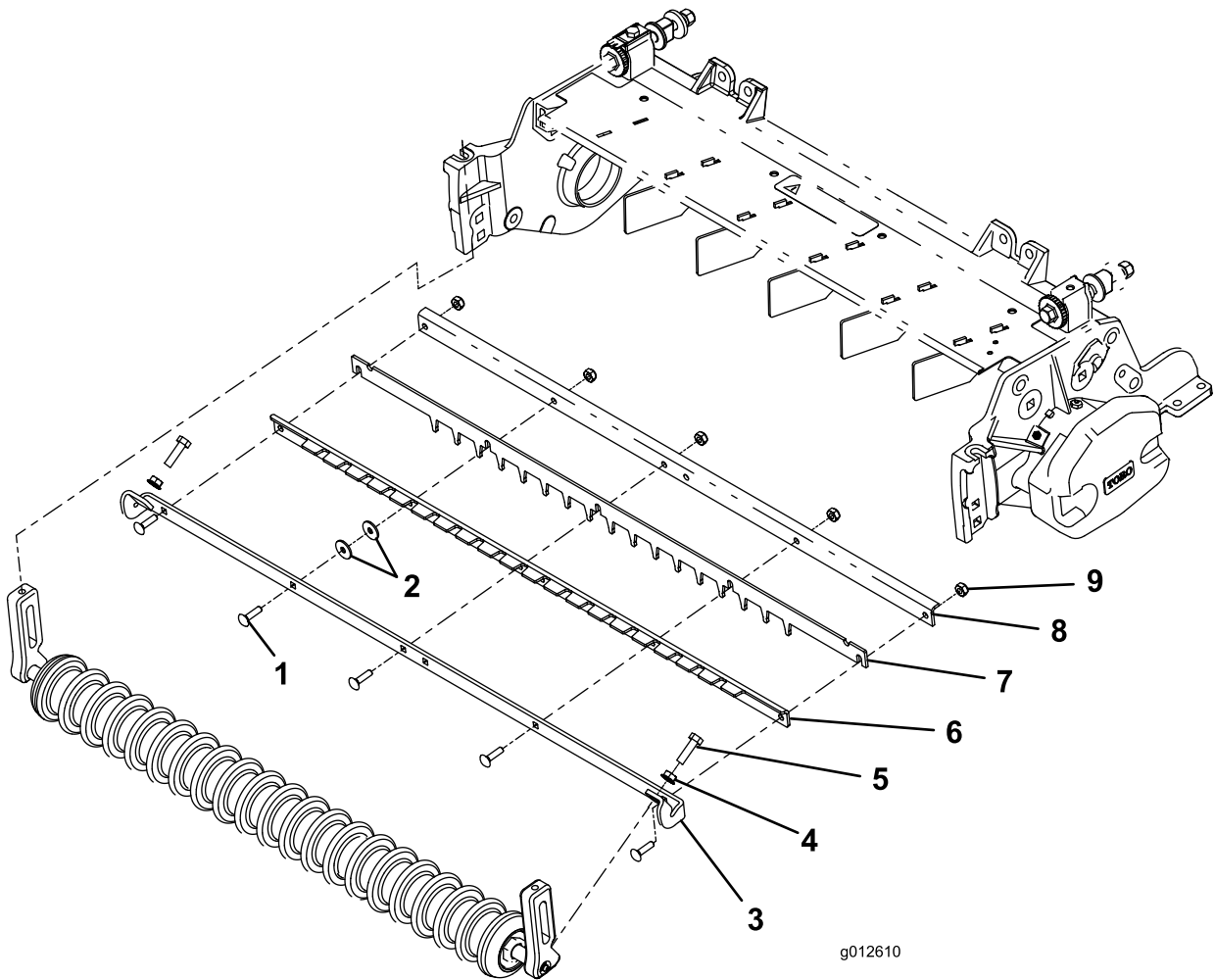
**Note:** If the scraper is not required, remove it from the assembly. When reassembling the components, insert 2 washers onto each bolt so they act as spacers between the comb bracket and comb plate (Figure 1). The washers are shipped loose.

- Make sure the roller and comb assembly are secure and centered in the roller brackets, then tighten the flange nuts on the bolts.
- Using a gauge bar and ruler, set the comb aggressiveness to meet your turf conditions. Secure the locknuts.

- Recommended height of cut range is 0.375 inch to 0.75 inch (9 to 19 mm).

- Less aggressive setting = Height of Cut Setting
- More aggressive setting = 1/8 inch (3 mm) Below Height of Cut Setting

**Note:** It may require a few weeks of operation to remove excess grain in turf.



g012610

**Figure 1**

- |                                 |                 |                       |
|---------------------------------|-----------------|-----------------------|
| 1. Carriage bolt (1/4 x 1 inch) | 4. Flange nut   | 7. Comb plate         |
| 2. Flat washers (if required)   | 5. Bolt         | 8. Comb               |
| 3. Comb bracket                 | 6. Comb scraper | 9. Locknut (1/4 inch) |