



**Count on it.**

**Parts Catalog**

**Commercial Walk-Behind Mower  
Fixed Deck, Pistol Grip, Gear Drive with 48in  
TURBO FORCE® Cutting Unit**

**Model No. 30638—Serial No. 310000001 and Up**

# Ordering Replacement Parts

To order replacement parts, please supply the part number, the quantity, and the description of each part desired.

## Understanding Reference Numbers

Each identified part in an illustration has a reference number. The reference number for a part also appears in the parts list, along with other information about the part.

This catalog uses two special reference number formats, one to indicate parts in a service assembly and another to indicate the quantity of a given part in an illustration.

## Service Assembly Reference Numbers

Parts in service assemblies have reference numbers in the form a:b. The a represents the reference number of the entire service assembly and the b represents a sequential number unique to each part within the service assembly.

For example, a wheel assembly might be identified by reference number 6, the tire by 6:1, the valve by 6:2, and the wheel by 6:3. When you order the assembly identified by reference number 6, you receive all parts identified by reference numbers 6:1, 6:2, and 6:3. However, you may also order any part individually. Reference numbers of this type appear in illustration and in parts lists.

## Reference Numbers Indicating Quantity

In an illustration, if a reference number indicates more than one part, the reference number has the form nX y. The n represents the quantity of the part, the X is the multiplication symbol, and the y represents the reference number.

For example, in an illustration, the reference number 2X 37 means that two of the parts identified by reference number 37 are indicated.

# List of Abbreviations

**AR:** as required

**ASM:** assembly

**BBC:** blade brake control

**BHTF:** button head thread forming

**CARR:** carriage

**CCW:** counter clockwise

**CCW:** counter clock wise

**CW:** clockwise

**CW:** clockwise

**DEG:** degrees

**ECM:** electronic control module

**ECM:** electronic control module

**EXT:** external

**FH:** flat head

**GA:** gauge

**HD:** heavy-duty

**HF:** hex flange

**HH:** hex head

**HHF:** hex head flange

**HHFTF:** hex head flange thread forming

**HJ:** hex jam

**HLH:** hex lag head

**HOC:** height-of-cut

**HSBH:** hex socket button head

**HSFH:** hex socket flat head

**HSH:** hex socket head

**HWH:** hex washer head

**HWHTF:** hex washer head thread forming

**HWHTF:** hex washer head thread forming

**HYD:** hydraulic

**LH:** left hand

**NI:** nylon insert

**NPTF:** national pipe thread fine

**PFH:** phillips flat head

**PPH:** phillips pan head

**PPHTF:** phillips pan head thread forming

**PRH:** phillips round head

**PTH:** phillips truss head

**PTO:** power-take-off

**RH:** right hand

**ROPS:** roll-over protection system

**RRB:** rear roller brush

**SFH:** slotted fillister head

**SHH:** slotted hex head

**SHWH:** slotted hex washer head

**SPH:** slotted pan head

**SQH:** square head

**SRH:** slotted round head

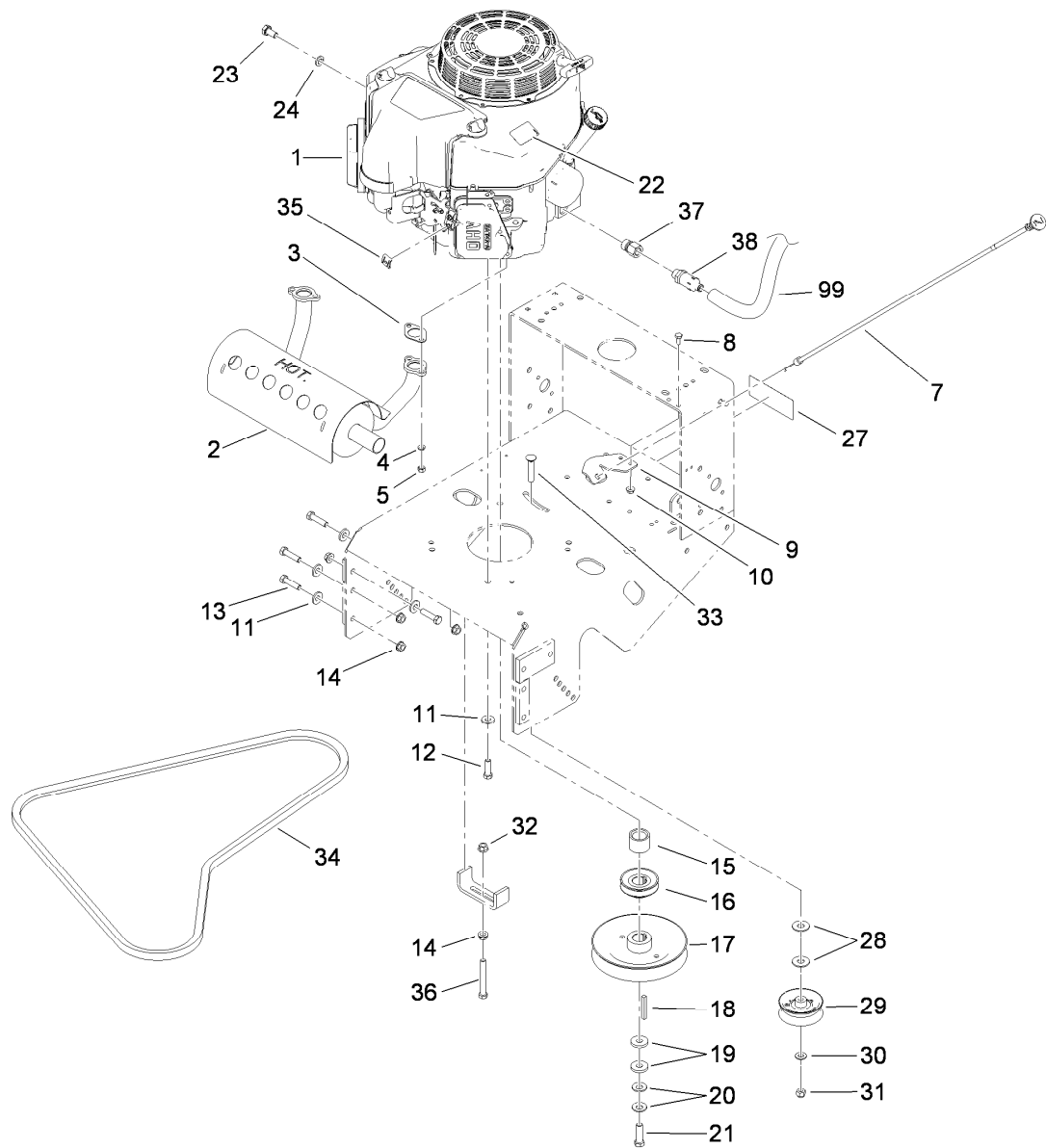
**STD:** standard

**TAP:** self tapping

**TTH:** torx truss head

# Contents

Engine and Exhaust Assembly.....	4
Fuel System Assembly .....	5
Frame and Transmission Assembly .....	6
Drive Wheel and Brake Assembly .....	8
Handle Control Assembly .....	10
Handle Assembly .....	11
Deck Assembly .....	12
Deck Assembly No. 110-4909 .....	13
Deflector Assembly No. 110-0758.....	14
Sheave, Spindle and Blade Assembly .....	15
Idler Assembly .....	16
Caster Assembly .....	17
Attachments and Accessories .....	18



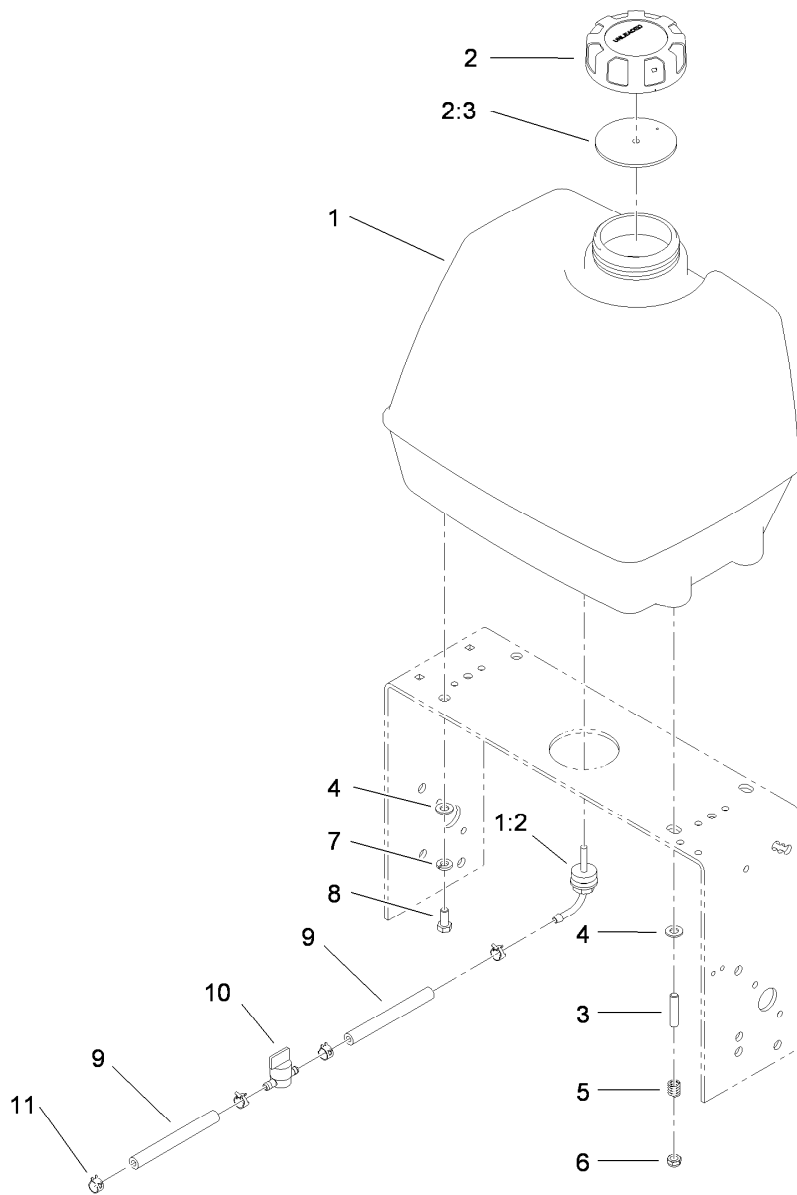
## Engine and Exhaust Assembly

Ref.	Part Number	Qty.	Description
1		1	Engine-Kawasaki, Fs481V-As05 ●■
2	116-2970	1	Muffler-Horizontal, Offset
3	1-653313	2	Gasket-Exhaust
4	114-3550	4	Washer-Lock, Spring
5	114-3549	4	Nut
7	103-1796	1	Cable-Choke
8	321-3	2	Screw-HH
9	103-1797-01	1	Bracket-Cable, Choke
10	32128-33	2	Nut-HF
11	98-5975	12	Washer-Belleville
12	323-7	4	Screw-HH
13	323-8	8	Screw-HH
14	3290-357	9	Nut-HHF, Whiz
15	1-633453	1	Spacer-Clutch
16	103-1666	1	Sheave-Transmission
17	110-4890	1	Pulley ASM
18	103-4177	1	Key
19	1-373034	2	Washer

Ref.	Part Number	Qty.	Description
20	1-603610	2	Washer-Spring
21	3212-6	1	Screw-HH
22	106-0699	1	Decal-Warning
23	33114-016	1	Screw-HH
24	3253-4	1	Washer-Lock
27	98-0776	1	Decal-Caution
28	3256-5	2	Washer-Flat
29	1-323285	1	Pulley-Idler, Flat
30	3256-24	1	Washer-Flat
31	3296-39	1	Nut-Lock, NI
32	32128-21	1	Nut-HF
33	3231-6	1	Screw-CARR
34	110-0543	1	Belt-V
35	81-1690	1	Clamp-Cable
36	323-14	1	Screw-HH
37	103-1966	1	Adapter
38	92-6877	1	Valve-Drain, Oil
99	103-1964	1	Hose-Drain, Oil

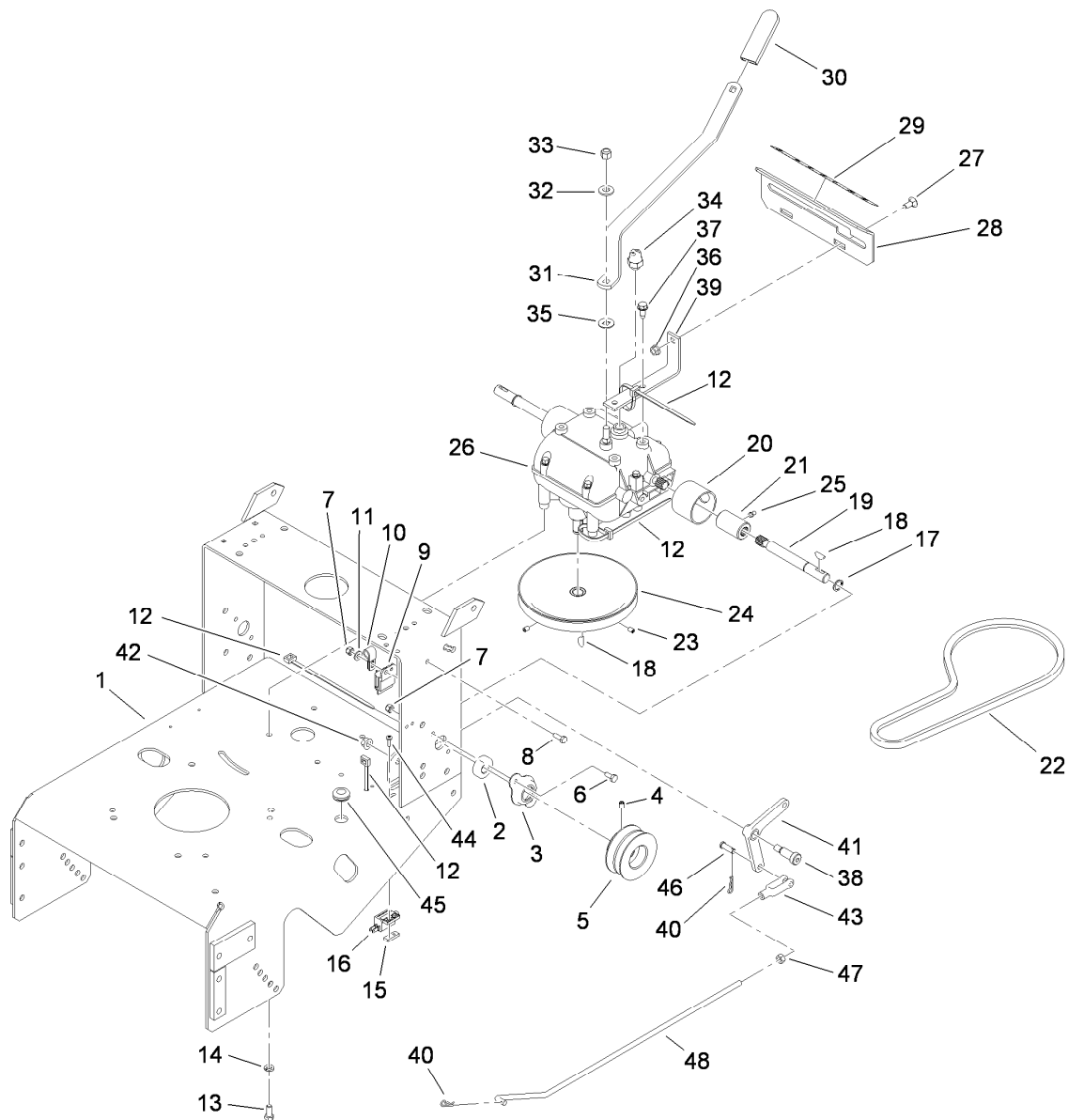
● Not serviced separately

■ Obtain parts from [www.kawpowerepc.com](http://www.kawpowerepc.com)



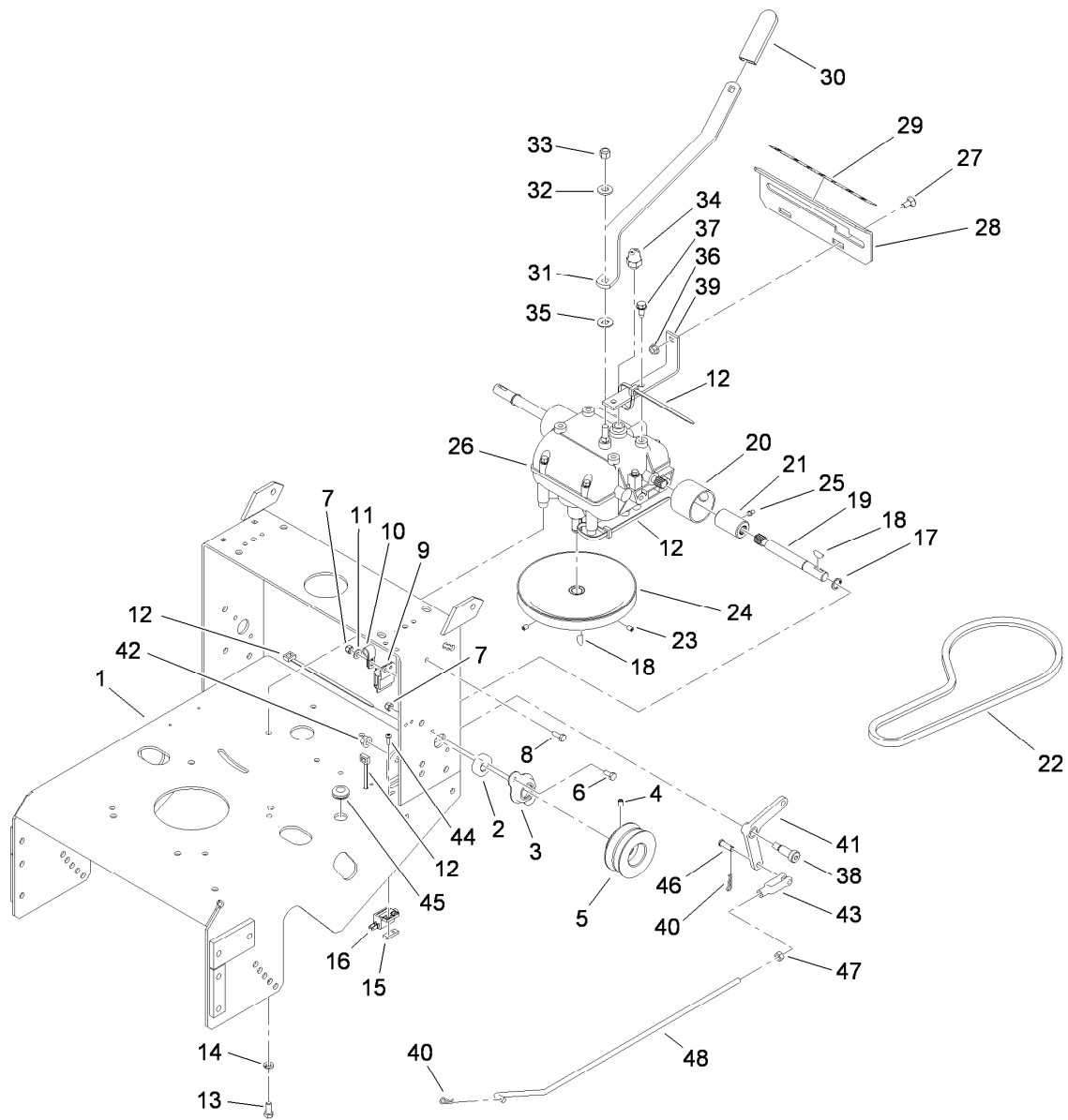
## Fuel System Assembly

<i>Ref.</i>	<i>Part Number</i>	<i>Qty.</i>	<i>Description</i>
1	106-0730	1	Fuel Tank ASM
1:2	103-2605	1	Fitting-Fuel, Bulkhead
2	88-3980	1	Gas Cap ASM
2:3	88-4010	1	Gasket-Cap, Gas
3	1-633023	2	Stud
4	3256-23	4	Washer-Flat
5	1-633349	2	Spring-Tank, Fuel
6	3296-47	2	Nut-Lock, NI
7	1-805005	2	Washer-Lock
8	322-3	2	Screw-HH
9	109-0650	2	Hose-Fuel
10	1-603770	1	Valve-Fuel
11	2412-98	4	Clamp



## Frame and Transmission Assembly

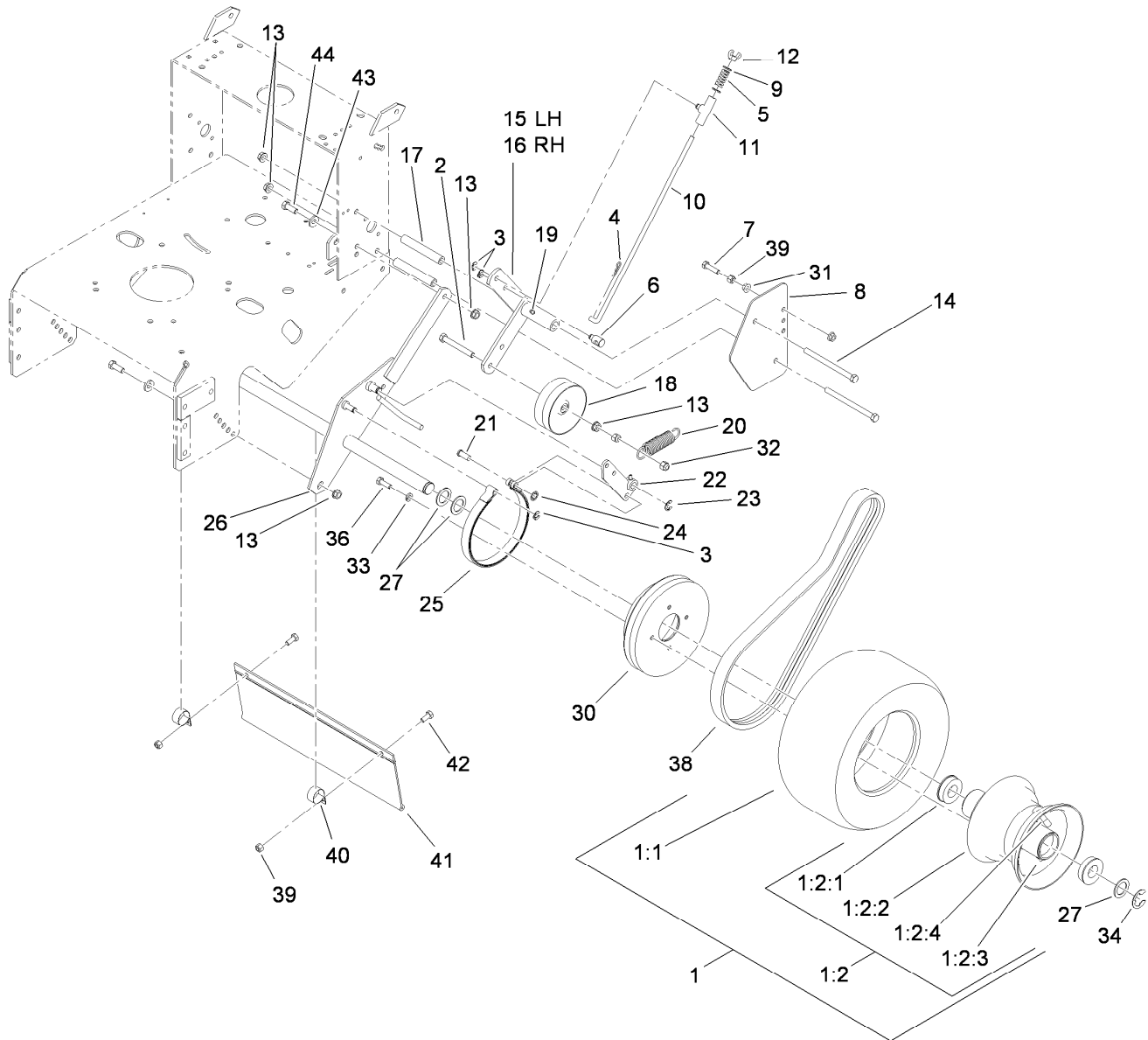
Ref.	Part Number	Qty.	Description	Ref.	Part Number	Qty.	Description
1	117-3521-01	1	Gear Frame ASM	22	1-323630	1	V-Belt
2	1-323252	2	Bearing-Shaft	23	3245-41	2	Screw-HSH
3	1-323254	2	Flange-Output	24	1-323278	1	Sheave-Transmission
4	1-803310	2	Screw-Set	25	302-19	2	Fitting-Grease
5	103-6511	2	Sheave-Transmission	26	1-323500	1	Transmission
6	321-3	4	Screw-HH	27	3230-1	2	Bolt-CARR
7	3296-42	5	Nut-Lock, NI	28	1-323387-03	1	Plate-Shift
8	321-4	1	Screw-HH	29	105-4104	1	Decal-Speed, Ground
9	1-323430	1	Module-Interlock	30	1-303020	1	Grip-Lever
10	1-323229	1	Clip-Loom	31	98-3274-03	1	Lever-Shift
11	3256-22	1	Washer-Flat	32	98-5975	1	Washer-Belleville
12	1-303335	4	Tie-Plastic	33	3296-6	1	Nut-Lock
13	322-3	4	Screw-HH	34	1-303282	1	Switch-Start, Neutral
14	1-805005	4	Washer-Lock	35	1-323379	1	Washer
15	1-633181	1	Plate-Tapped	36	32128-20	2	Nut-HF
16	1-513051	1	Switch-Open, Normally	37	9264964	4	Screw-HWH, Thread Cut
17	32151-62	2	Ring-Retaining	38	1-603403	1	Bolt-Shoulder
18	3257-5	3	Key-Woodruff	39	1-323389-03	2	Bracket-Plate, Shift
19	1-323502	2	Shaft-Transmission	40	1-806003	2	Pin-Cotter, Hair
20	51-4220	2	Guard-Coupler	41	1-303186	1	Bellcrank
21	1-323680	2	Coupler	42	32128-21	1	Nut-HF



## Frame and Transmission Assembly (continued)

Ref.	Part Number	Qty.	Description
43	1-303105	1	Yoke-Adjustable
44	3290-500	2	Screw-PPH
45	1-543296	1	Grommet

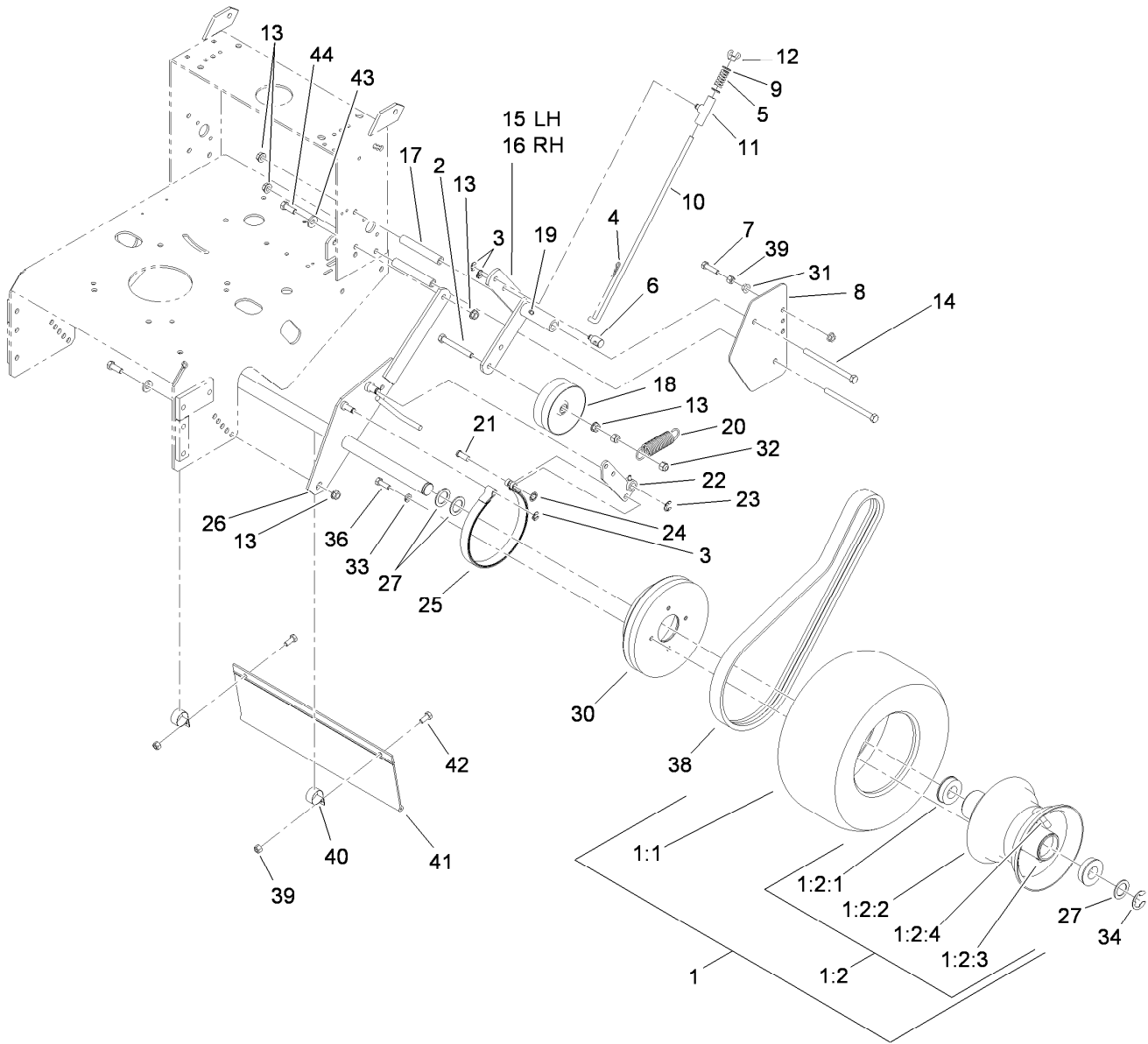
Ref.	Part Number	Qty.	Description
46	1-808280	1	Pin-Clevis
47	3219-2	1	Nut-Hex
48	1-323303	1	Linkage-Arm



## Drive Wheel and Brake Assembly

Ref.	Part Number	Qty.	Description	Ref.	Part Number	Qty.	Description
1	1-323719	2	Wheel And Tire ASM	14	323-39	4	Screw-HH
1:1	1-323720	1	Tire-Turfmaster	15	103-1615-03	1	Arm-Idler, LH
1:2	1-323328	1	Wheel And Hub ASM	16	103-1616-03	1	Arm-Idler, RH
1:2:1	1-323329	2	Bearing-Flanged	17	1-323283	4	Spacer-Shield
1:2:2		1	Rim ASM ●	18	1-323277	2	Idler-Wheel, Drive
1:2:3		1	Fitting-Grease ●	19	302-19	2	Fitting-Grease
1:2:4		1	Stem-Valve ●	20	1-603402	2	Spring-Extension
2	99-8664	2	Screw-HH	21	1-323307	2	Pin-Clevis
3	32151-47	6	Ring-Retaining	22	103-1611-03	2	Arm-Brake
4	1-806003	2	Pin-Cotter, Hair	23	32120-47	2	Ring-Retaining, External
5	1-323245	2	Spring-Compression	24	1-803051	2	Nut-Push
6	103-1864	2	Swivel-Lever, Drive	25	1-323262	2	Band-Brake
7	322-6	2	Screw-HH	26	1-322117-03	1	Axle
8	1-323287-01	2	Shield-Wheel, Drive	27	1-523157	6	Washer-Spacer
9	3256-23	4	Washer-Flat	27	1-543436	8	Washer-Spacer
10	1-323548	2	Linkage-Brake	30	109-4359	2	Drum And Sheave ASM
11	110-5866	2	Swivel-Brake	31	32128-20	4	Nut-HF
12	1-513959	2	Wingnut-Nylock	32	3296-39	4	Nut-Lock, NI
13	3290-357	10	Nut-HHF, Whiz	33	1-805005	8	Washer-Lock

● Not serviced separately

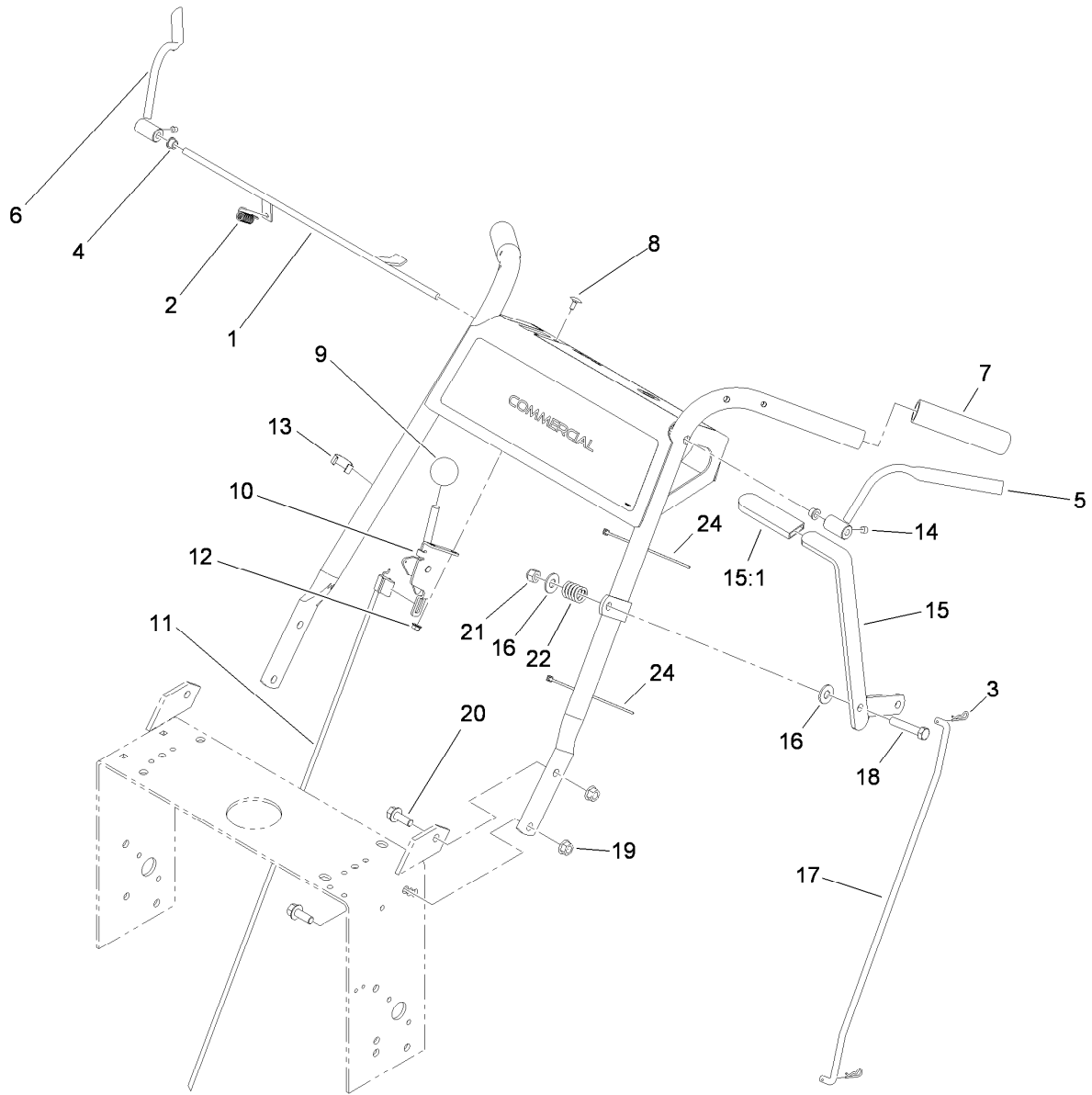


## Drive Wheel and Brake Assembly (continued)

Ref.	Part Number	Qty.	Description
34	1-808519	2	Ring-Snap
36	322-5	8	Screw-HH
38	1-323631	2	V-Belt
39	3296-29	4	Nut-Lock, NI
40	2412-104	2	R-Clamp

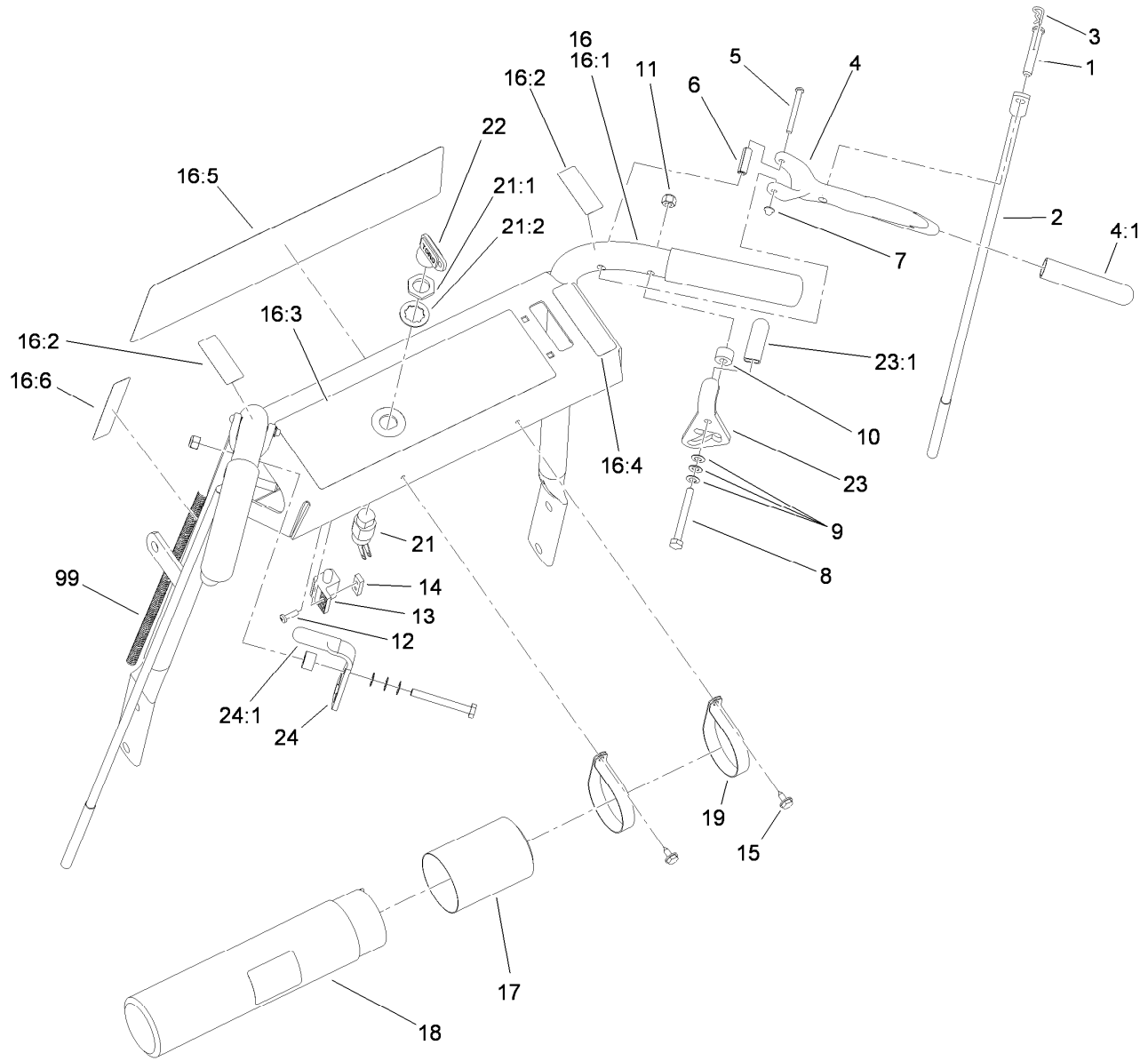
Ref.	Part Number	Qty.	Description
41	98-3259	1	Shield-Trailing
42	322-3	2	Screw-HH
43	98-5975	4	Washer-Belleville
44	323-6	4	Screw-HH

● Not serviced separately



## Handle Control Assembly

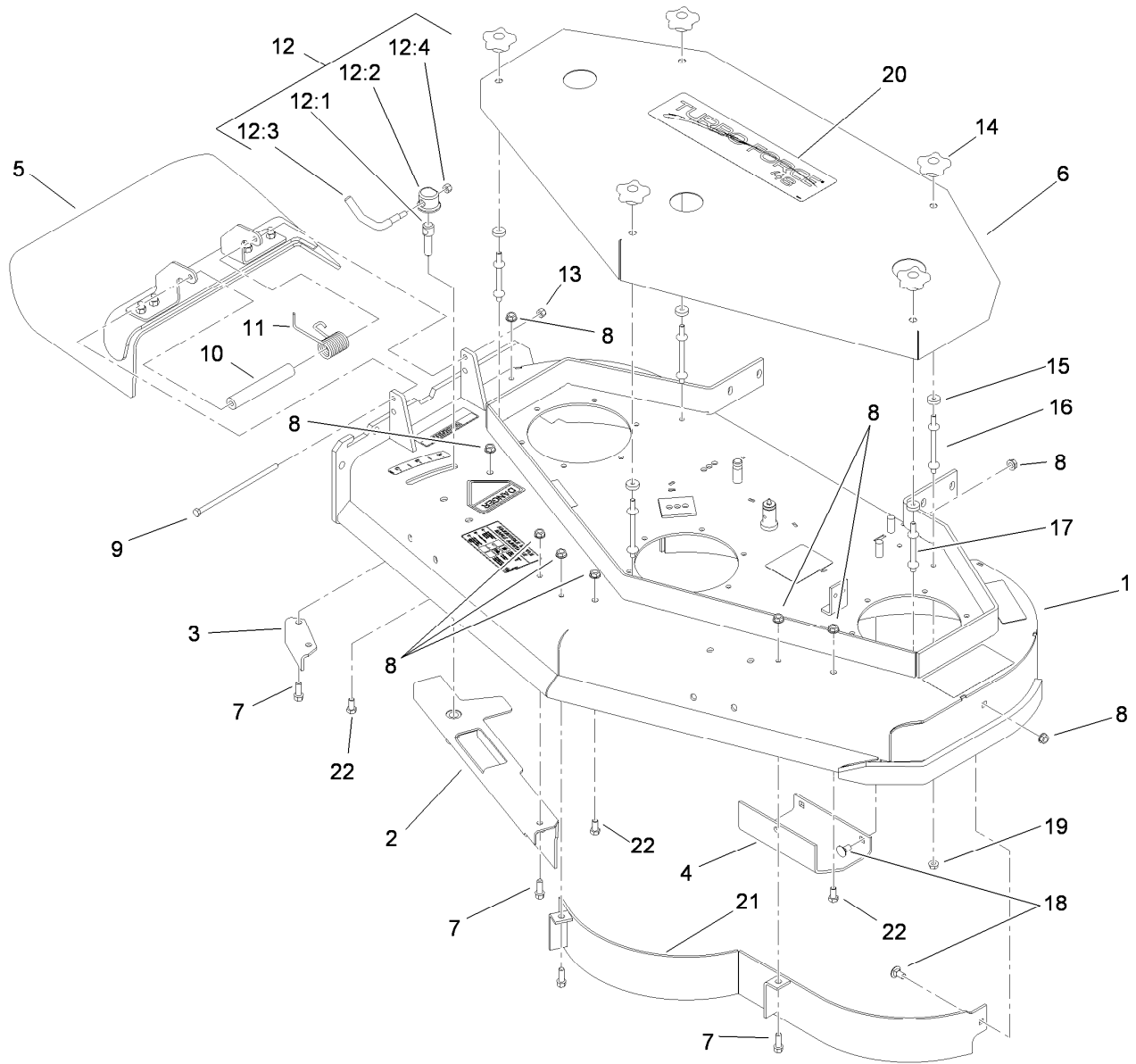
<i>Ref.</i>	<i>Part Number</i>	<i>Qty.</i>	<i>Description</i>	<i>Ref.</i>	<i>Part Number</i>	<i>Qty.</i>	<i>Description</i>
1	106-2717-03	1	Rod-Control, Operator Presence	12	32128-17	2	Nut-Lock, Flange
2	1-303363	1	Spring-Extension	13	1-303088	1	Clip-Cable
3	1-806003	2	Pin-Cotter, Hair	14	1-803322	2	Screw-Set
4	1-303365	2	Bushing-Nylon	15	1-322157	1	Lever ASM
5	106-5485	1	LH Operator Presence Control Lever ASM	15:1	1-303020	1	Grip-Lever
6	106-5486	1	RH Operator Presence Control Lever ASM	16	3256-4	2	Washer-Flat
7	104-9838	2	Grip-Foam	17	1-323298	1	Linkage-Blade, Upper
8	1-807513	2	Bolt-CARR	18	323-10	1	Screw-HH
9	1-603175	1	Knob-Ball	19	32128-21	4	Nut-HF
10	110-5547	1	Control Lever ASM	20	3234-11	4	Screw-HHF
11	119-1823	1	Cable-Control, Throttle	21	3296-39	1	Nut-Lock, NI
				22	1-303160	1	Spring-Compression
				24	1-303287	2	Tie-Plastic



## Handle Assembly

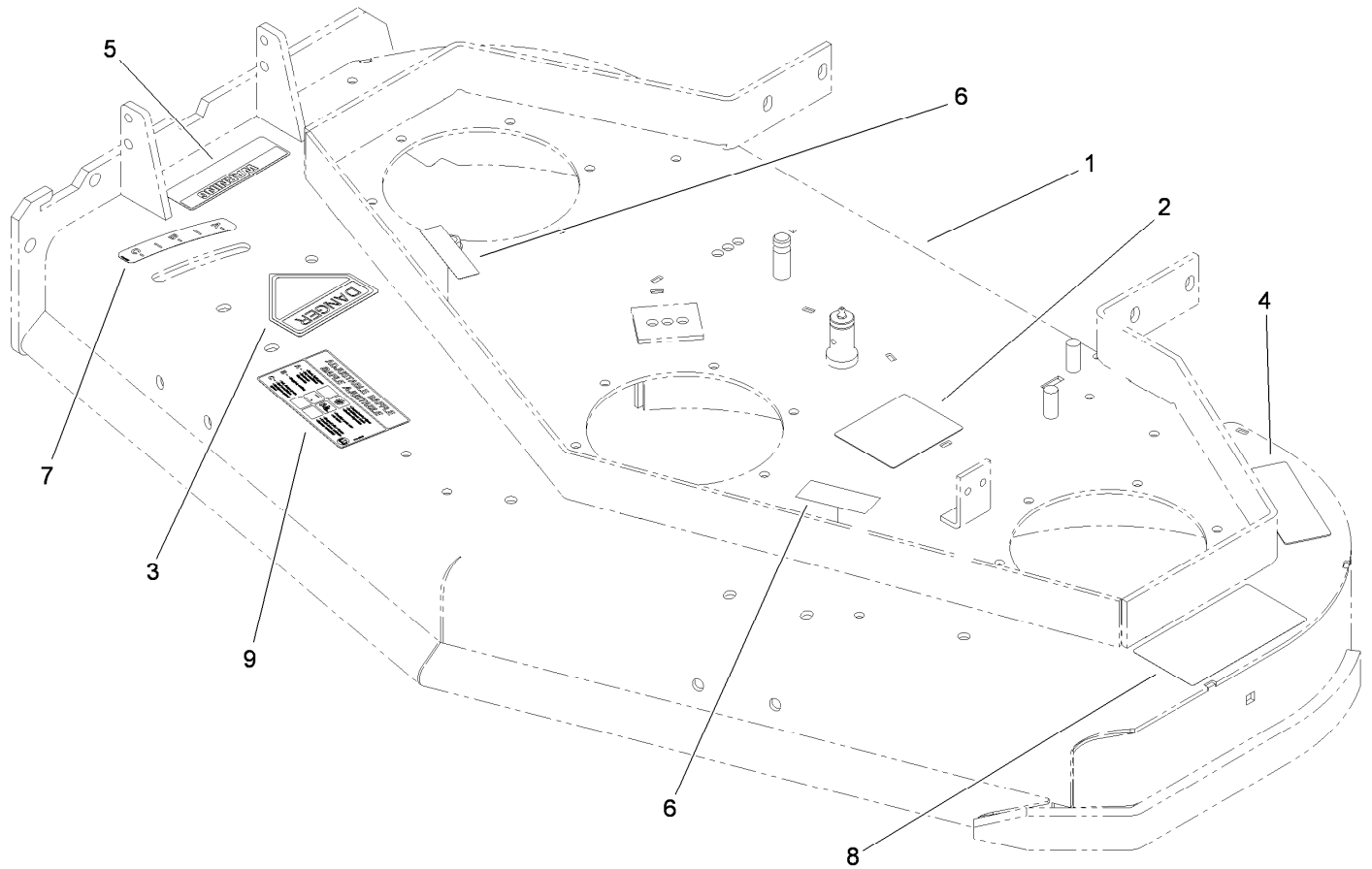
Ref.	Part Number	Qty.	Description	Ref.	Part Number	Qty.	Description
1	1-808286	2	Pin-Clevis	16:2	105-4111	2	Decal-Lock, Neutral
2	1-323359	2	Linkage-Wheel, Drive	16:3	106-2737	1	Decal-Warning
3	1-806003	2	Pin-Cotter, Hair	16:4	106-2733	1	Decal-Throttle
4	1-302006	2	Drive Lever ASM	16:5	110-6917	1	Decal
4:1	1-303021	1	Grip-Lever, Drive	16:6	95-5537	1	Decal-Engage, Deck
5	1-808250	2	Pin-Lever, Drive	17	104-7048	1	Cap-Housing
6	1-806340	2	Pin-Roll	18	104-7050	1	Tube-Manual
7	1-803001	2	Nut	19	2412-120	2	R-Clamp
8	321-18	2	Screw-HH	21	29-5560	1	Switch-On / Off
9	1-303435	6	Washer-Spring	21:1	218-461	1	Nut-HH
10	1-323549	2	Spacer	21:2	3254-5	1	Washer-Tooth, Internal
11	3296-42	2	Nut-Lock, NI	22	63-8360	1	Key-Ignition
12	3290-500	2	Screw-PPH	23	1-324280	1	RH Thumb Latch ASM
13	1-513051	1	Switch-Open, Normally	23:1	1-303019	1	Grip-Latch
14	1-633181	1	Plate-Tapped	24	1-324279	1	LH Thumb Latch ASM
15	32104-76	2	Screw	24:1	1-303019	1	Grip-Latch
16	119-3638	1	Handle ASM	99	116-2661	1	Harness-Wire
16:1		1	Pistol Grip Handle ASM ●				

● Not serviced separately



## Deck Assembly

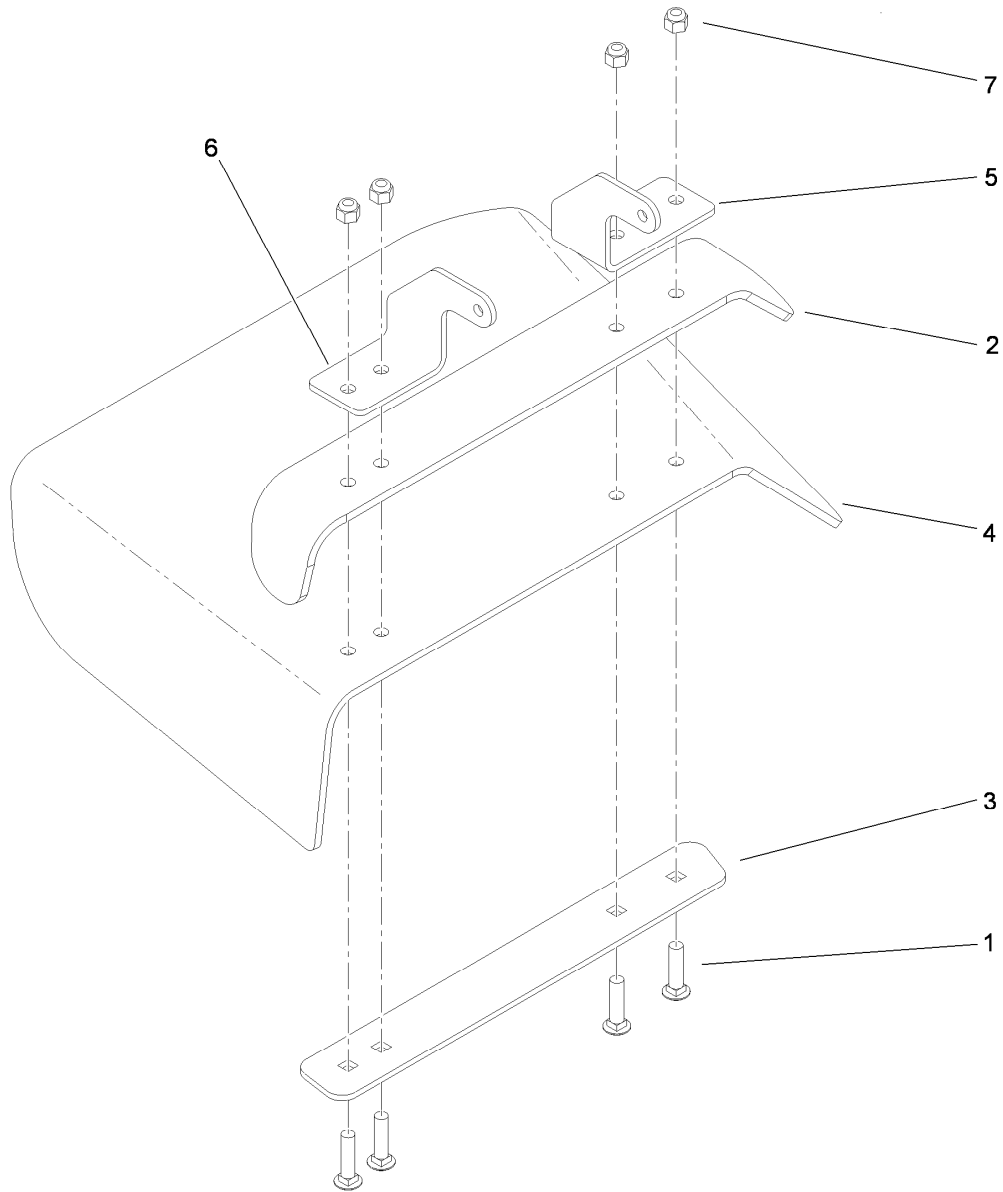
<i>Ref.</i>	<i>Part Number</i>	<i>Qty.</i>	<i>Description</i>	<i>Ref.</i>	<i>Part Number</i>	<i>Qty.</i>	<i>Description</i>
1	110-4909	1	Deck ASM	12:2	107-1644	1	Cap-Lock
2	110-0533-03	1	Baffle-Adjustable	12:3	106-3241	1	Lever-Lock
3	110-0744-01	1	Baffle-Discharge	12:4	3296-29	1	Nut-Lock, NI
4	107-3166-01	1	Skid	13	3296-29	1	Nut-Lock, NI
5	110-0758	1	Deflector ASM	14	106-4161	5	Knob-Handle
6	110-2119-01	1	Cover	15	1-323417	5	Washer
7	92-1624	5	Screw-HWH	16	1-303536	3	Stud-Shield, Belt (Long)
8	3290-357	12	Nut-HHF, Whiz	17	1-303537	2	Stud-Shield, Belt (Short)
9	322-50	1	Screw-HH	18	3231-1	7	Screw-CARR
10	105-4622	1	Spacer	19	32128-20	5	Nut-HF
11	104-8554	1	Spring-Torsion	20	112-9712	1	Decal
12	107-1664	1	Lever ASM	21	110-0735-03	1	Baffle ASM
12:1	106-3239	1	Screw-Lock	22	323-4	3	Screw-HH



## Deck Assembly No. 110-4909

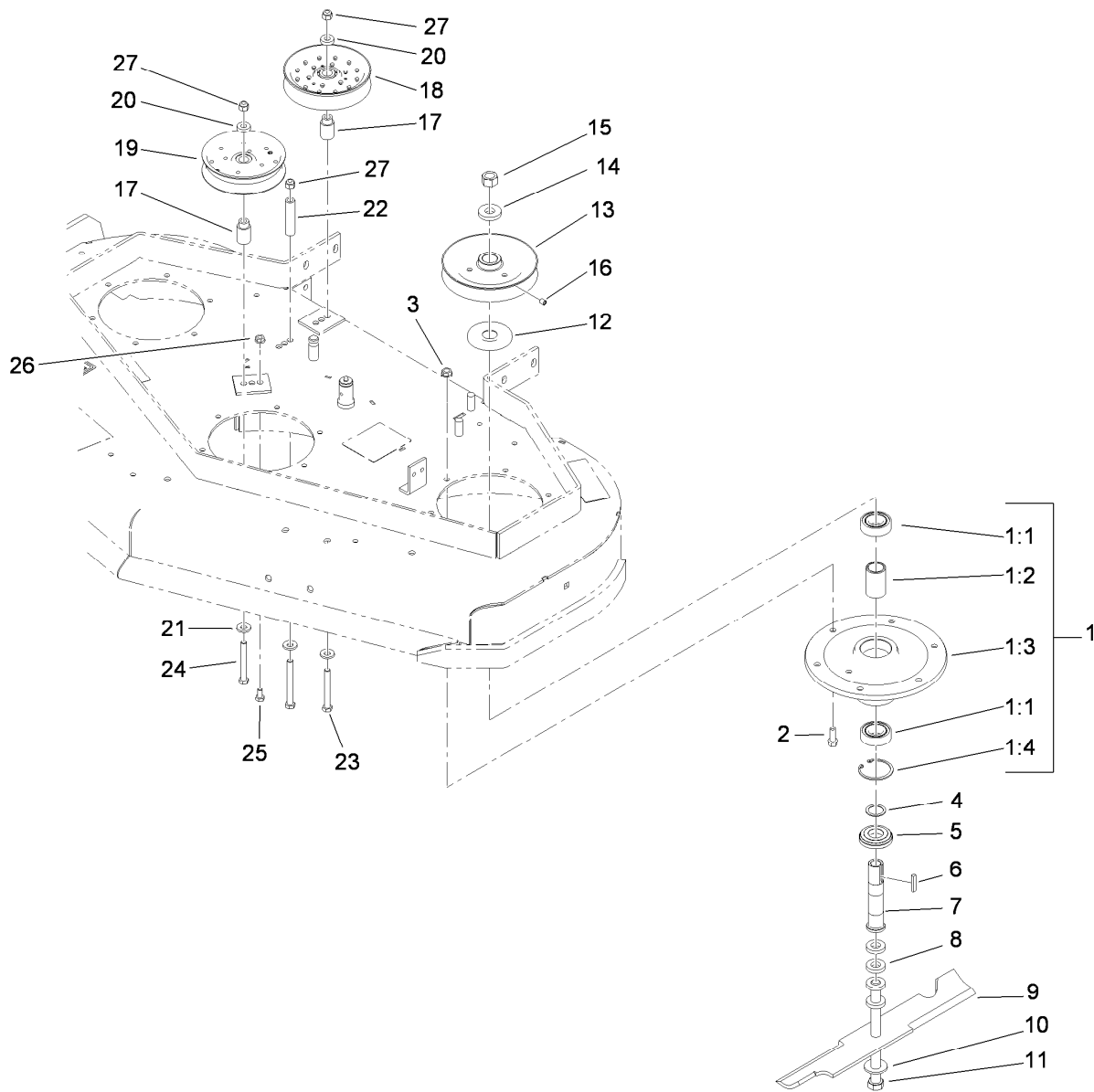
Ref.	Part Number	Qty.	Description
1		1	48 Inch Deck ASM ●
2	99-3943	1	Decal-Routing, Belt
3	43-8480	1	Decal-Danger
4	98-5130	1	Decal-Torque, Bolt
5	104-8569	1	Decal-Warning
6	98-5954	2	Decal-Cover, Missing
7	110-2067	1	Decal-Setting, Baffle
8	66-1340	1	Decal-Danger, Thrown Object
9	110-2068	1	Decal-Adjustment, Baffle

● Not serviced separately



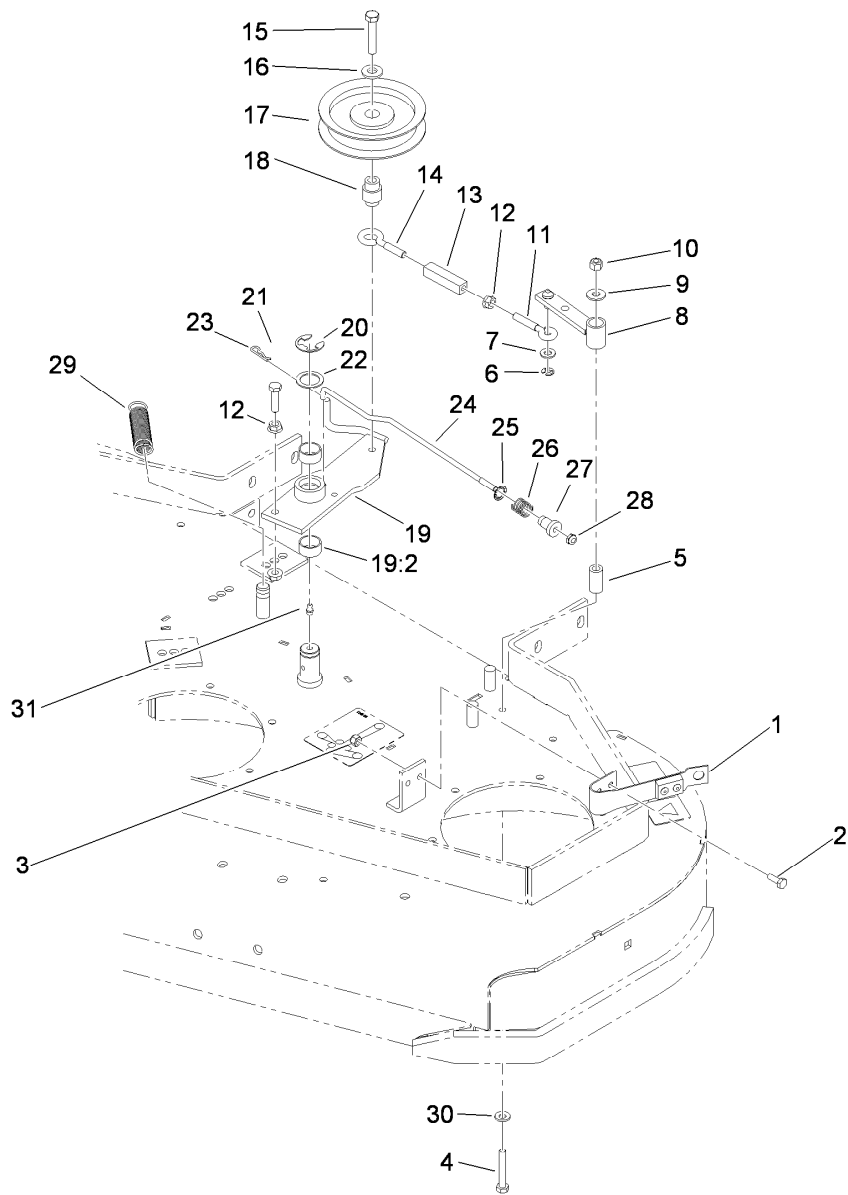
## Deflector Assembly No. 110-0758

Ref.	Part Number	Qty.	Description
1	3231-4	4	Screw-CARR
2	106-3246-01	1	Deflector
3	106-3248-03	1	Strap-Discharge
4	110-0759	1	Deflector-Rubber
5	107-4197-01	1	Bracket-Hinge, Rear
6	107-4196-01	1	Bracket-Hinge, Front
7	3296-39	4	Nut-Lock, NI



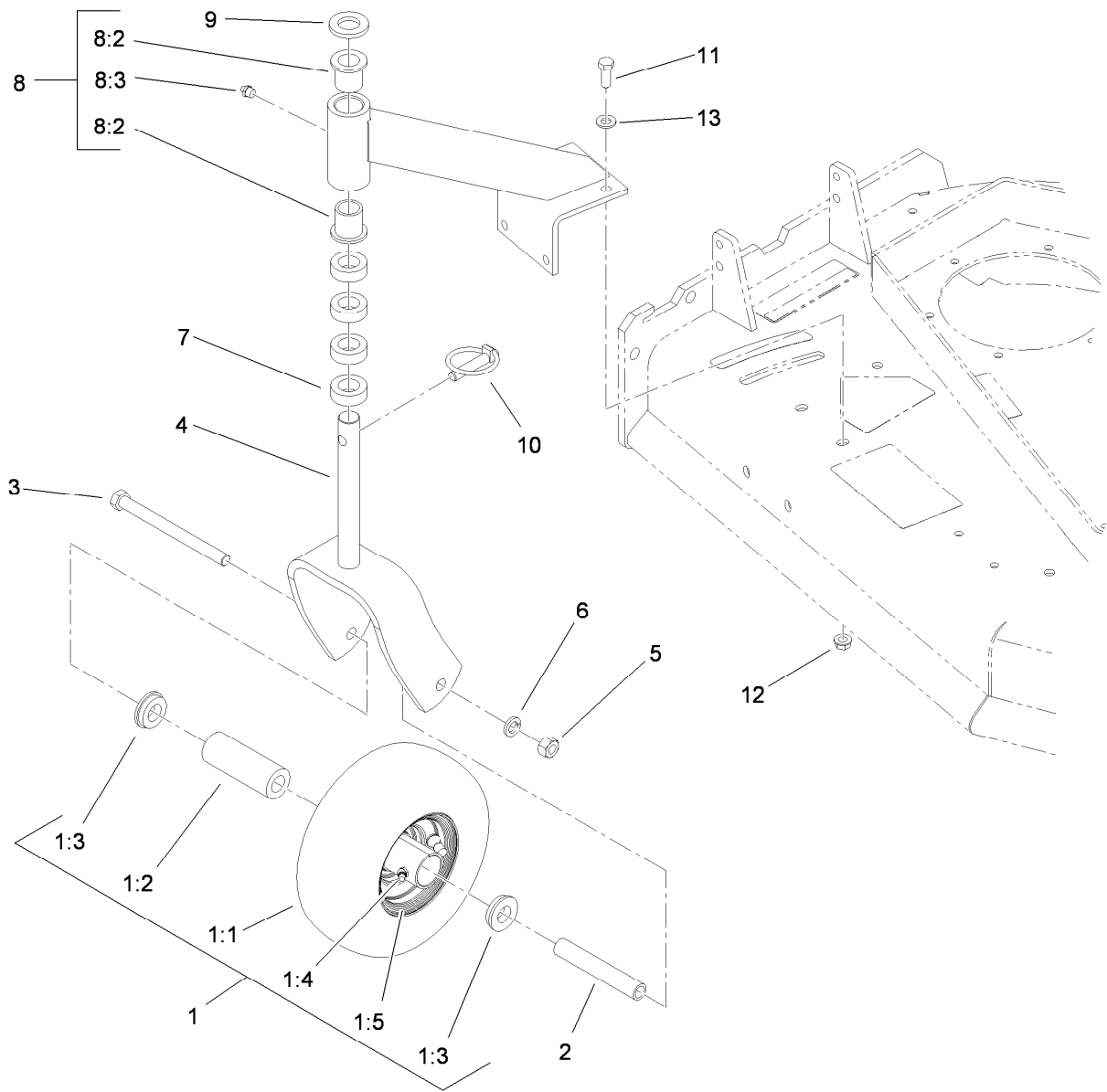
## Sheave, Spindle and Blade Assembly

Ref.	Part Number	Qty.	Description	Ref.	Part Number	Qty.	Description
1	108-6697	3	Spindle Housing ASM	13	1-403183	3	Sheave
1:1	110-2118	2	Bearing	14	1-323339	3	Washer-Retainer, Sheave
1:2	110-2116	1	Spacer-Bearing	15	3219-6	3	Nut-Hex
1:3	108-6694	1	Housing-Spindle	16	1-803310	3	Screw-Set
1:4	32120-8	1	Ring-Snap	17	1-413113	2	Bushing-Idler
2	92-1624	18	Screw-HWH	18	1-403186	1	Idler-Pulley, Flat
3	3290-357	18	Nut-HHF, Whiz	19	1-613098	1	Pulley-Idler
4	110-4888	3	Washer-Spacer	20	5-0652	2	Spacer
5	103-2535	3	Spacer-Guard, Bottom	21	98-5975	3	Washer-Belleveille
6	1-807267	3	Key	22	1-403188	1	Spacer
7	1-323529	3	Tube-Spindle, Short	23	323-15	1	Screw-HH
8	1-323539	12	Spacer	24	323-14	2	Screw-HH
9	107-3192-03	3	Blade-16.5 Inch (High Flow)	25	322-2	1	Screw-HH
10	1-513208	3	Washer-Spring	26	32128-20	1	Nut-HF
11	1-800861	3	Screw-Cap, HH	27	3296-39	3	Nut-Lock, NI
12	103-1330	3	Guard-Bearing, Top				



## Idler Assembly

<i>Ref.</i>	<i>Part Number</i>	<i>Qty.</i>	<i>Description</i>	<i>Ref.</i>	<i>Part Number</i>	<i>Qty.</i>	<i>Description</i>
1	1-324372	1	Pad And Spring ASM	17	1-603843	1	Pulley-Idler
2	321-4	2	Screw-HH	18	1-303434	1	Bushing-Engagement
3	3296-42	2	Nut-Lock, NI	19	103-3600	1	Idler Arm ASM
4	322-10	1	Screw-HH	19:2	1-323729	2	Sleeve-Bearing
5	1-403179	1	Tube-Pivot	20	32151-103	1	Ring-Retaining, EXT
6	32120-35	1	Ring-Retaining, EXT	21	322-6	1	Screw-HH
7	3256-23	1	Washer-Flat	22	1-303352	1	Washer-Spindle
8	1-322235	1	Arm-Assist	23	1-806003	1	Pin-Cotter, Hair
9	3256-3	1	Washer-Flat	24	110-4932	1	Rod-Brake
10	3296-29	1	Nut-Lock, NI	25	1-323748	1	Ring-Push On
11	1-303238	1	Eyebolt-Thread, RH	26	1-323747	1	Spring-Compression
12	32128-20	3	Nut-HF	27	1-323746	1	Spacer-Flanged
13	1-303236	1	Body-Turnbuckle	28	3296-56	1	Nut-Lock, NI
14	1-303348	1	Eyebolt-Thread, LH	29	1-323071	1	Spring-Extension
15	702809	1	Screw-HH	30	1-303334	1	Washer-Spring
16	98-5975	1	Washer-Belleville	31	302-19	1	Fitting-Grease



## Caster Assembly

Ref.	Part Number	Qty.	Description
1	110-5023	2	Wheel And Tire ASM
1:1		1	Tire ●
1:2	1-513809	1	Bearing
1:3	1-513810	2	Bushing
1:4	302-61	1	Zerk
1:5		1	Wheel ●
2	1-513547	2	Spacer
3	325-20	2	Screw-HH
4	1-322145-01	2	Fork
5	3217-9	2	Nut-HH

Ref.	Part Number	Qty.	Description
6	3253-7	2	Washer-Lock
7	1-303314	8	Spacer-Caster
8	110-2130	2	Support ASM
8:2	1-303514	2	Bearing-Flanged
8:3	302-52	1	Fitting-Grease
9	1-513338	2	Washer-Flat
10	1-809020	2	Pin
11	323-6	8	Screw-HH
12	3290-357	8	Nut-HHF, Whiz
13	3256-24	8	Washer-Flat

● Not serviced separately

# Attachments and Accessories

## For 30638 Commercial Walk-Behind Mower, Fixed Deck, Pistol Grip, Gear Drive with 48in TURBO FORCE Cutting Unit

<b>Product Name</b>	<b>Model/Part</b>
Blade-Low Flow, 16.5 Inch.....	107-3193-03
Blade-Mid Flow, 16.5 Inch.....	107-3194-03
Blade-Atomic, 16.5 Inch.....	107-3195-03
Blade-Recycling, 16.5 Inch.....	107-3196-03
Bagging Enhancement Kit.....	108-4091
Blade-Hi Flow, 16.5 Inch (6 Pack).....	110-0414
Blade-Lo Flow, 16.5 Inch (6 Pack).....	110-0415
Blade-Recycler, 16.5 Inch (6 Pack).....	110-0416
Blade-Atomic, 16.5 Inch (6 Pack).....	110-0417
Blade-Mid Flow, 16.5 Inch (6 Pack).....	110-0418
48 Inch Recycler Kit.....	110-2060
Weight Kit.....	110-2085
Operator-Controlled Discharge Chute Kit.....	115-4195
Soft Bag (3 Bushel).....	30104
Sulky.....	30109

**Notes:**



**Count on it.**