



Count on it.

Parts Catalog

**Commercial Walk-Behind Mower
Floating Deck, T-Bar, Gear Drive with 52in
TURBO FORCE® Cutting Unit**

Model No. 30079—Serial No. 310000001 and Up

Ordering Replacement Parts

To order replacement parts, please supply the part number, the quantity, and the description of each part desired.

Understanding Reference Numbers

Each identified part in an illustration has a reference number. The reference number for a part also appears in the parts list, along with other information about the part.

This catalog uses two special reference number formats, one to indicate parts in a service assembly and another to indicate the quantity of a given part in an illustration.

Service Assembly Reference Numbers

Parts in service assemblies have reference numbers in the form a:b. The a represents the reference number of the entire service assembly and the b represents a sequential number unique to each part within the service assembly.

For example, a wheel assembly might be identified by reference number 6, the tire by 6:1, the valve by 6:2, and the wheel by 6:3. When you order the assembly identified by reference number 6, you receive all parts identified by reference numbers 6:1, 6:2, and 6:3. However, you may also order any part individually. Reference numbers of this type appear in illustration and in parts lists.

Reference Numbers Indicating Quantity

In an illustration, if a reference number indicates more than one part, the reference number has the form nX y. The n represents the quantity of the part, the X is the multiplication symbol, and the y represents the reference number.

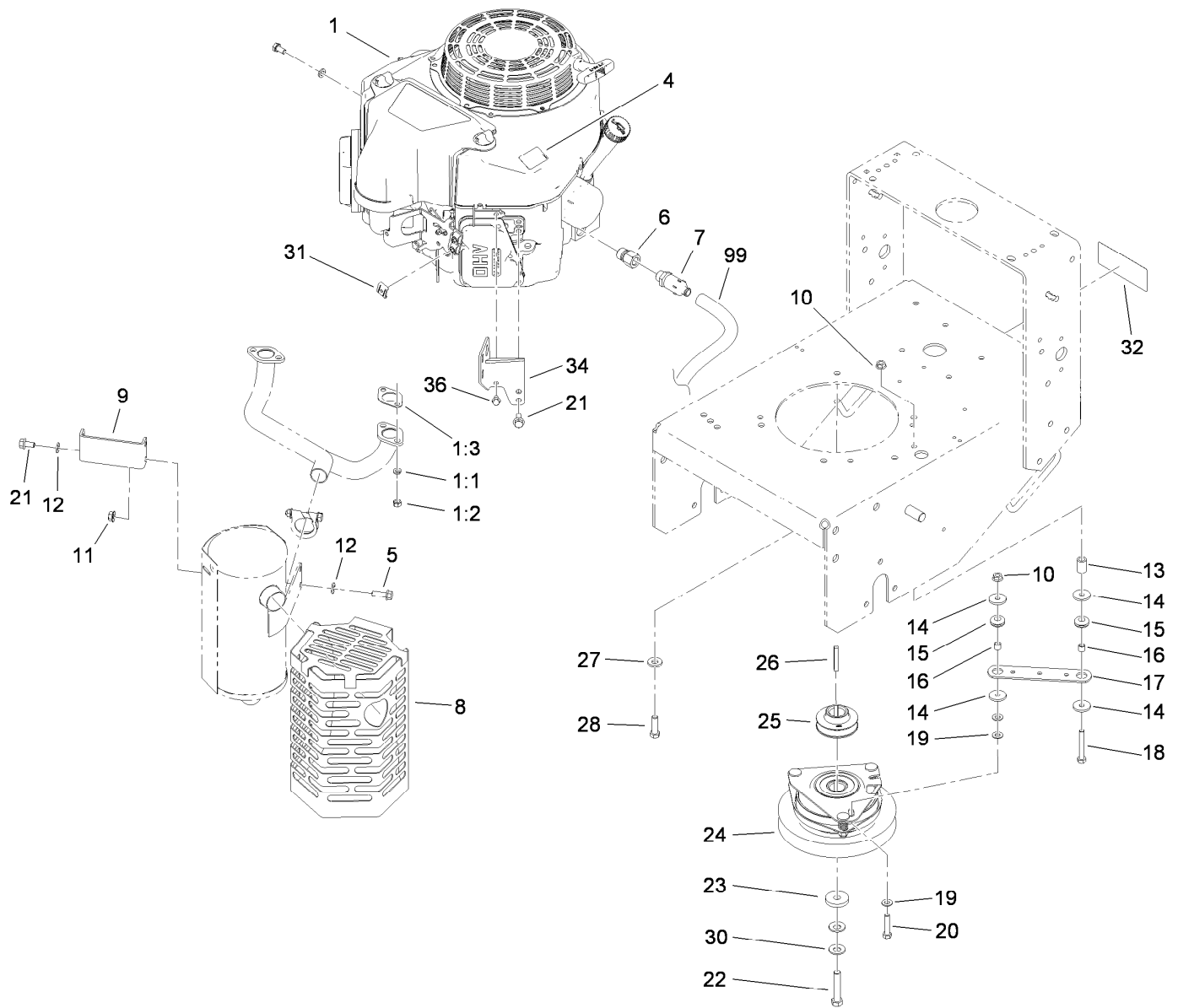
For example, in an illustration, the reference number 2X 37 means that two of the parts identified by reference number 37 are indicated.

List of Abbreviations

AR: as required	HLH: hex lag head	RRB: rear roller brush
ASM: assembly	HOC: height-of-cut	SFH: slotted fillister head
BBC: blade brake control	HSBH: hex socket button head	SHH: slotted hex head
BHTF: button head thread forming	HSFH: hex socket flat head	SHWH: slotted hex washer head
CARR: carriage	HSH: hex socket head	SPH: slotted pan head
CCW: counter clockwise	HWH: hex washer head	SQH: square head
CCW: counter clock wise	HWTF: hex washer head thread forming	SRH: slotted round head
CW: clockwise	HWTF: hex washer head thread forming	STD: standard
CW: clockwise	HYD: hydraulic	TAP: self tapping
DEG: degrees	LH: left hand	TTH: torx truss head
ECM: electronic control module	NI: nylon insert	
ECM: electronic control module	NPTF: national pipe thread fine	
EXT: external	PFH: phillips flat head	
FH: flat head	PPH: phillips pan head	
GA: gauge	PPHTF: phillips pan head thread forming	
HD: heavy-duty	PRH: phillips round head	
HF: hex flange	PTH: phillips truss head	
HH: hex head	PTO: power-take-off	
HHF: hex head flange	RH: right hand	
HHFTF: hex head flange thread forming	ROPS: roll-over protection system	
HJ: hex jam		

Contents

Engine and Clutch Assembly	4
Power-Take-Off Idler and Weight Assembly.....	5
Fuel System Assembly	6
Lower Control Assembly	7
Transmission Drive Assembly	8
Wheel Drive and Brake Assembly	9
Handle Assembly	10
Control Panel Assembly	11
Carrier Frame Assembly	12
Deck Drive and Baffle Assembly	13
Deck Assembly No. 112-7083	15
Spindle Assembly No. 110-0728	16
Spindle Assembly No. 110-0730	17
Deck Assembly	18
Deflector Assembly No. 110-0758.....	19
Attachments and Accessories	20



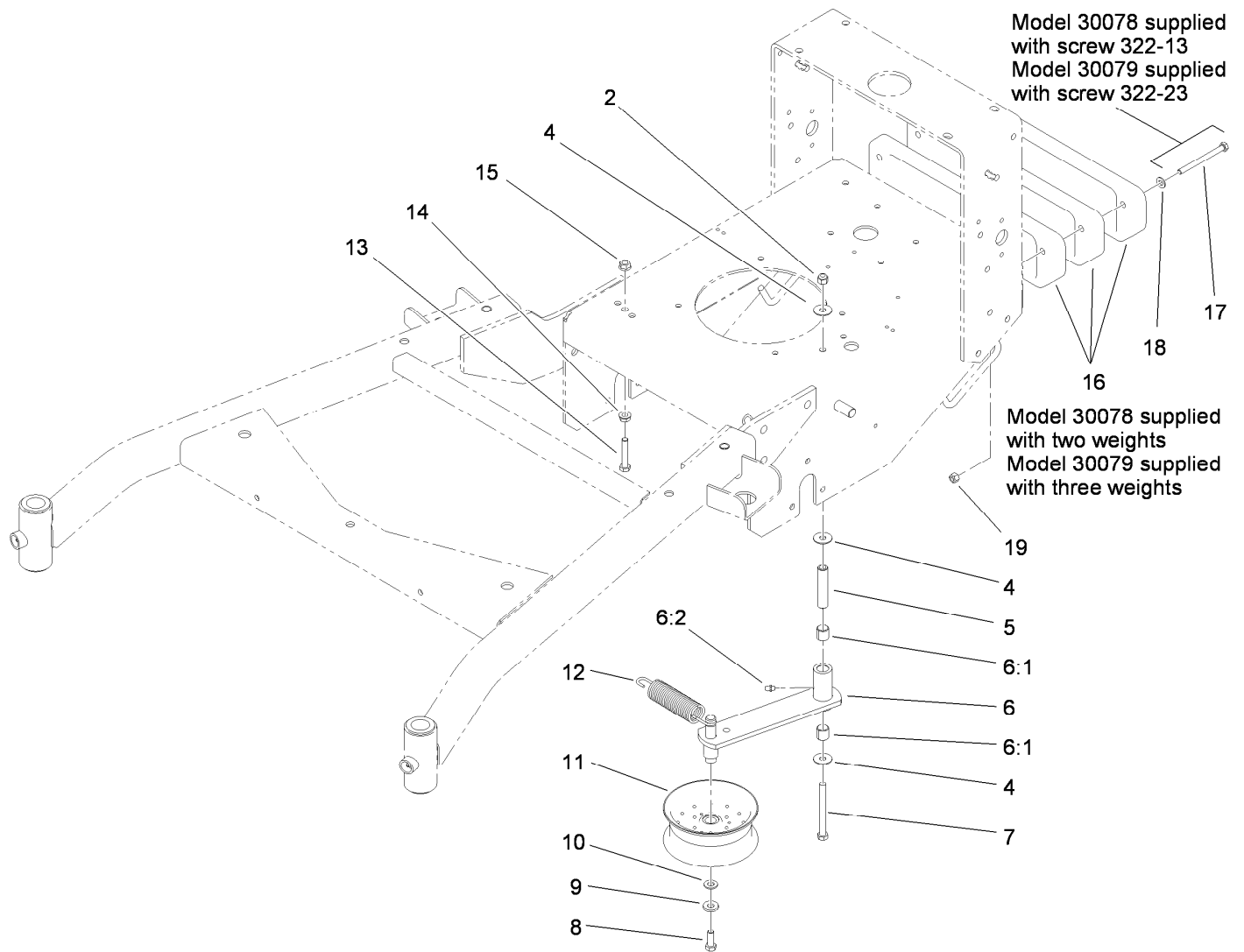
Engine and Clutch Assembly

Ref.	Part Number	Qty.	Description
1		1	Engine-Kawasaki, Fs541V-As11 ●■
1:1	114-3550	4	Washer-Lock, Spring
1:2	114-3549	4	Nut
1:3	1-653313	2	Gasket-Exhaust
4	106-0699	1	Decal-Warning
5	33104-025	2	Screw-HHF
6	103-1966	1	Adapter
7	92-6877	1	Valve-Drain, Oil
8	119-3629-03	1	Muffler Shield ASM
9	119-3635-03	1	Bracket-Shield, Muffler
10	32128-20	2	Nut-HF
11	117-1350	4	Nut-HF, Lock
12	1-303334	4	Washer-Spring
13	104-6373	1	Tube-Retainer
14	1-613235	4	Washer
15	1-633630	2	Grommet-Brake
16	1-633545	2	Spacer

Ref.	Part Number	Qty.	Description
17	1-633543-03	1	Strap-Clutch, Brake
18	322-11	1	Screw-HH
19	3256-23	3	Washer-Flat
20	322-7	1	Screw-HH
21	33104-016	4	Screw-HHF
22	3212-9	1	Screw-HH
23	107-4136	1	Washer
24	105-2635	1	Clutch / Brake ASM
25	107-4112	1	Pulley-Drive
26	608006	1	Key-Square
27	98-5975	4	Washer-Belleville
28	323-7	4	Screw-HH
30	1-603610	2	Washer-Spring
31	81-1690	1	Clamp-Cable
32	98-0776	1	Decal-Caution
34	117-8561-03	1	Bracket-Muffler
36	33103-012	1	Screw-HHF
99	103-1964	1	Hose-Drain, Oil

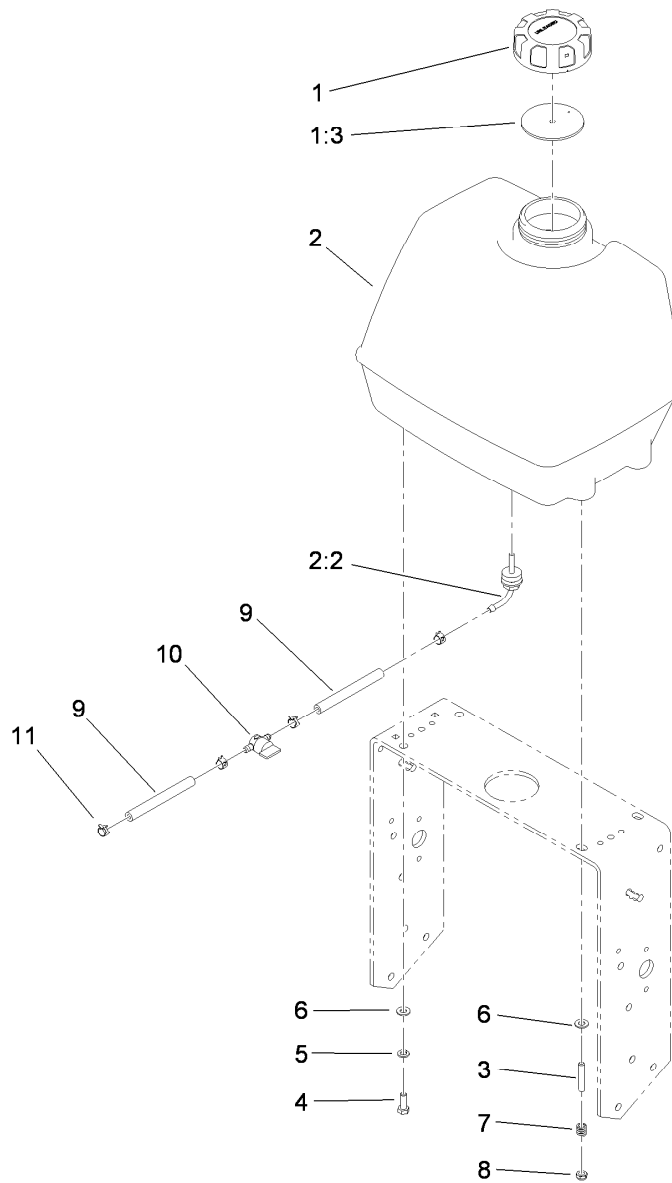
● Not serviced separately

■ Obtain parts from www.kawpowerepc.com



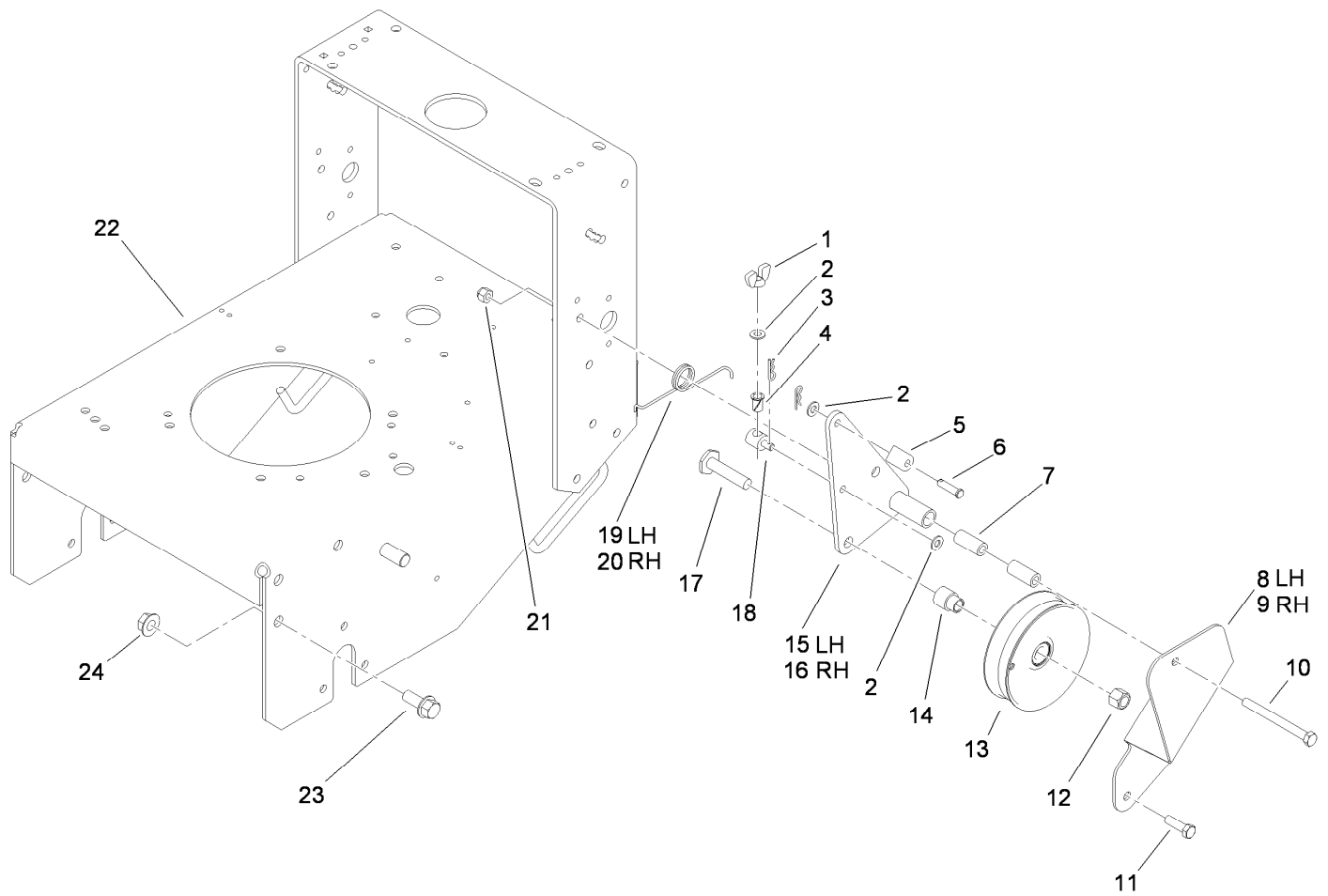
Power-Take-Off Idler and Weight Assembly

<i>Ref.</i>	<i>Part Number</i>	<i>Qty.</i>	<i>Description</i>	<i>Ref.</i>	<i>Part Number</i>	<i>Qty.</i>	<i>Description</i>
2	3296-39	1	Nut-Lock, NI	11	1-413099	1	Pulley-Idler
4	52-2860	3	Washer	12	105-8443	1	Spring-Extension
5	104-6377	1	Tube-Idler	13	323-10	1	Screw-HH
6	108-2734	1	Idler Arm ASM	14	3290-357	1	Nut-HHF, Whiz
6:1	1-513034	2	Sleeve-Bearing	15	32128-21	1	Nut-HF
6:2	302-5	1	Fitting-Grease	16	112-7059-01	3	Weight-Cast
7	323-42	1	Screw-HH	17	322-23	2	Screw-HH
8	323-6	1	Screw-HH	18	3256-23	2	Washer-Flat
9	98-5975	1	Washer-Belleville	19	3296-29	2	Nut-Lock, NI
10	3256-24	1	Washer-Flat				



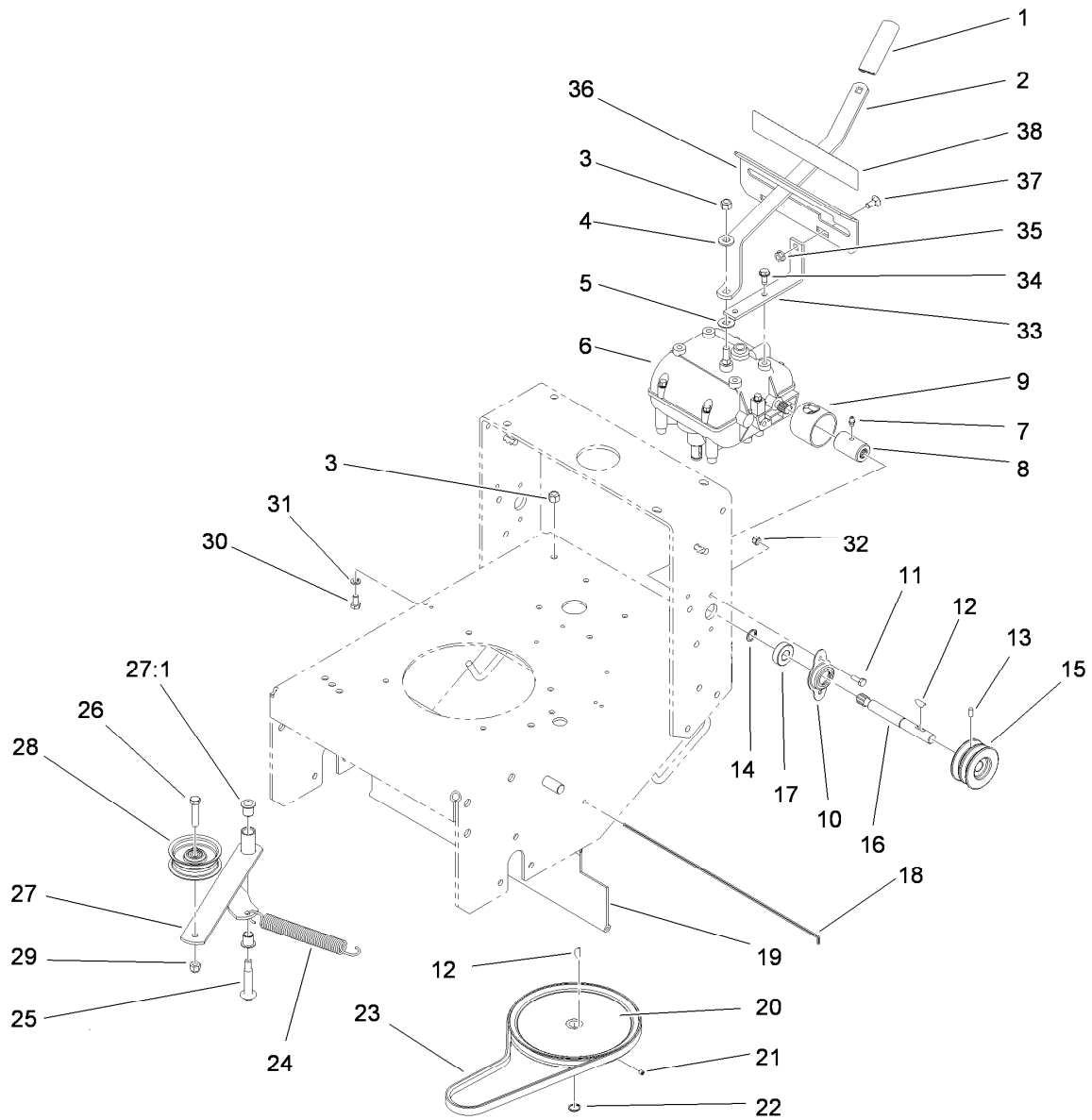
Fuel System Assembly

Ref.	Part Number	Qty.	Description
1	88-3980	1	Gas Cap ASM
1:3	88-4010	1	Gasket-Cap, Gas
2	106-0730	1	Fuel Tank ASM
2:2	103-2605	1	Fitting-Fuel, Bulkhead
3	104-8121	2	Stud-Threaded
4	322-4	2	Screw-HH
5	3253-4	2	Washer-Lock
6	3256-23	4	Washer-Flat
7	1-633349	2	Spring-Tank, Fuel
8	3296-47	2	Nut-Lock, NI
9	109-0650	2	Hose-Fuel
10	1-603770	1	Valve-Fuel
11	2412-98	4	Clamp



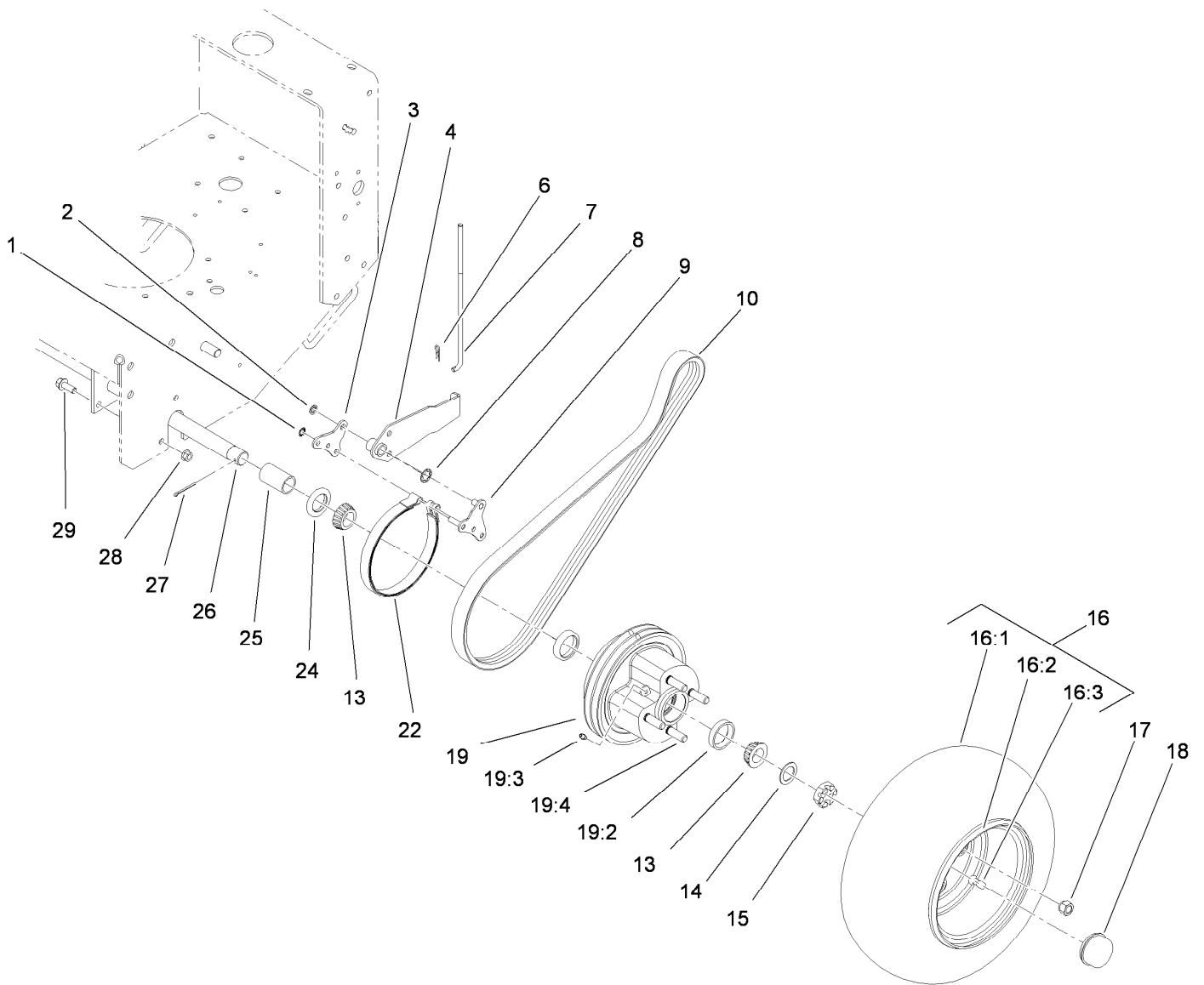
Lower Control Assembly

<i>Ref.</i>	<i>Part Number</i>	<i>Qty.</i>	<i>Description</i>	<i>Ref.</i>	<i>Part Number</i>	<i>Qty.</i>	<i>Description</i>
1	32103-25	2	Nut-Wing	13	95-2800	2	Pulley-Idler
2	3256-23	6	Washer-Flat	14	95-2801	2	Spacer-Pulley
3	3290-307	4	Pin-Hair	15	108-2740-01	1	LH Idler Arm ASM
4	52-2890	2	Bushing-Nylon	16	108-2741-01	1	RH Idler Arm ASM
5	74-0521	2	Fitting-Rod	17	51-4450	2	Screw-Leveler
6	283-6	2	Pin-Clevis	18	68-9690	2	Fitting-Rod
7	74-0040	4	Spacer-Pivot, Idler	19	51-4380	1	Spring-Torsion, LH
8	108-2725-01	1	Support-Idler, LH	20	51-4370	1	Spring-Torsion, RH
9	108-2724-01	1	Support-Idler, RH	21	3296-39	6	Nut-Lock, NI
10	323-16	2	Screw-HH	22	117-5236-01	1	Gear Frame ASM
11	323-7	4	Screw-HH	23	3234-32	6	Screw-HHF
12	3296-23	2	Nut-Lock, NI	24	32128-23	6	Nut-HF



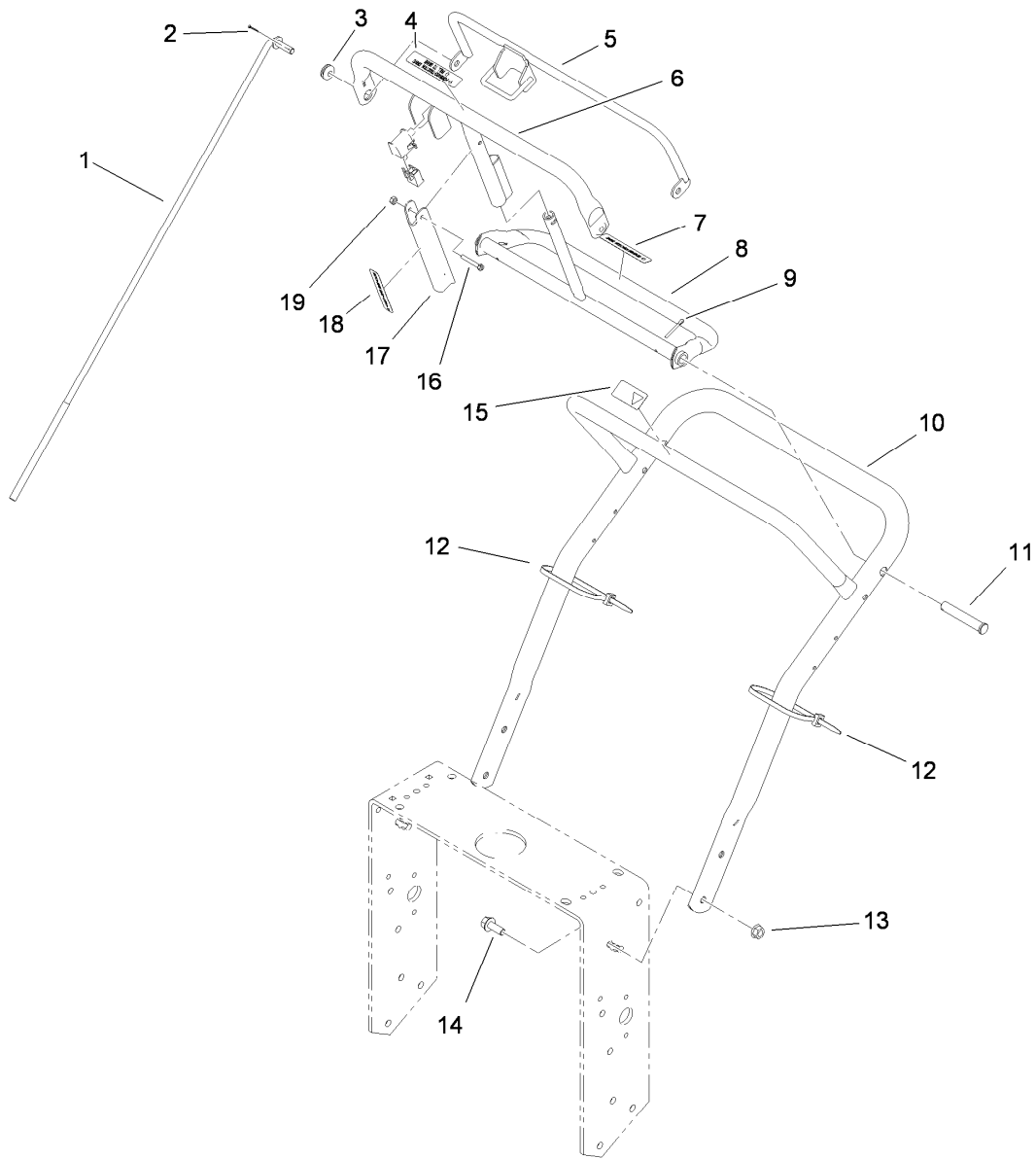
Transmission Drive Assembly

Ref.	Part Number	Qty.	Description	Ref.	Part Number	Qty.	Description
1	47-1970	1	Grip	21	3245-1	1	Screw-Set, HSH
2	98-3274-03	1	Lever-Shift	22	32120-64	1	Ring-Snap, External
3	3296-6	2	Nut-Lock	23	105-5668	1	V-Belt
4	98-5975	1	Washer-Belleville	24	80-6610	1	Spring-Extension
5	1-323379	1	Washer	25	27-6230	1	Bolt-Wheel
6	1-323500	1	Transmission	26	323-9	1	Screw-HH
7	302-5	2	Fitting-Grease	27	16-7509	1	Lever-Idler
8	1-323680	2	Coupler	27:1	256-155	2	Bushing-Flange
9	51-4220	2	Guard-Coupler	28	62-4540	1	Pulley
10	1-323254	2	Flange-Output	29	3296-39	1	Nut-Lock, NI
11	321-4	4	Screw-HH	30	322-2	4	Screw-HH
12	3257-5	3	Key-Woodruff	31	3253-4	4	Washer-Lock
13	3245-9	2	Screw-Set	32	3296-42	4	Nut-Lock, NI
14	32151-62	2	Ring-Retaining	33	1-323389-03	2	Bracket-Plate, Shift
15	105-2698	2	Pulley-Transmission	34	9264964	4	Screw-HWH, Thread Cut
16	104-1102	2	Shaft-Output	35	32128-20	2	Nut-HF
17	1-323252	2	Bearing-Shaft	36	1-323387-03	1	Plate-Shift
18	95-1529	1	Rod-Shield	37	3230-1	2	Bolt-CARR
19	95-1526	1	Shield-Trailing	38	98-3256	1	Decal-Speed, Ground
20	105-5646	1	Pulley-Driven				



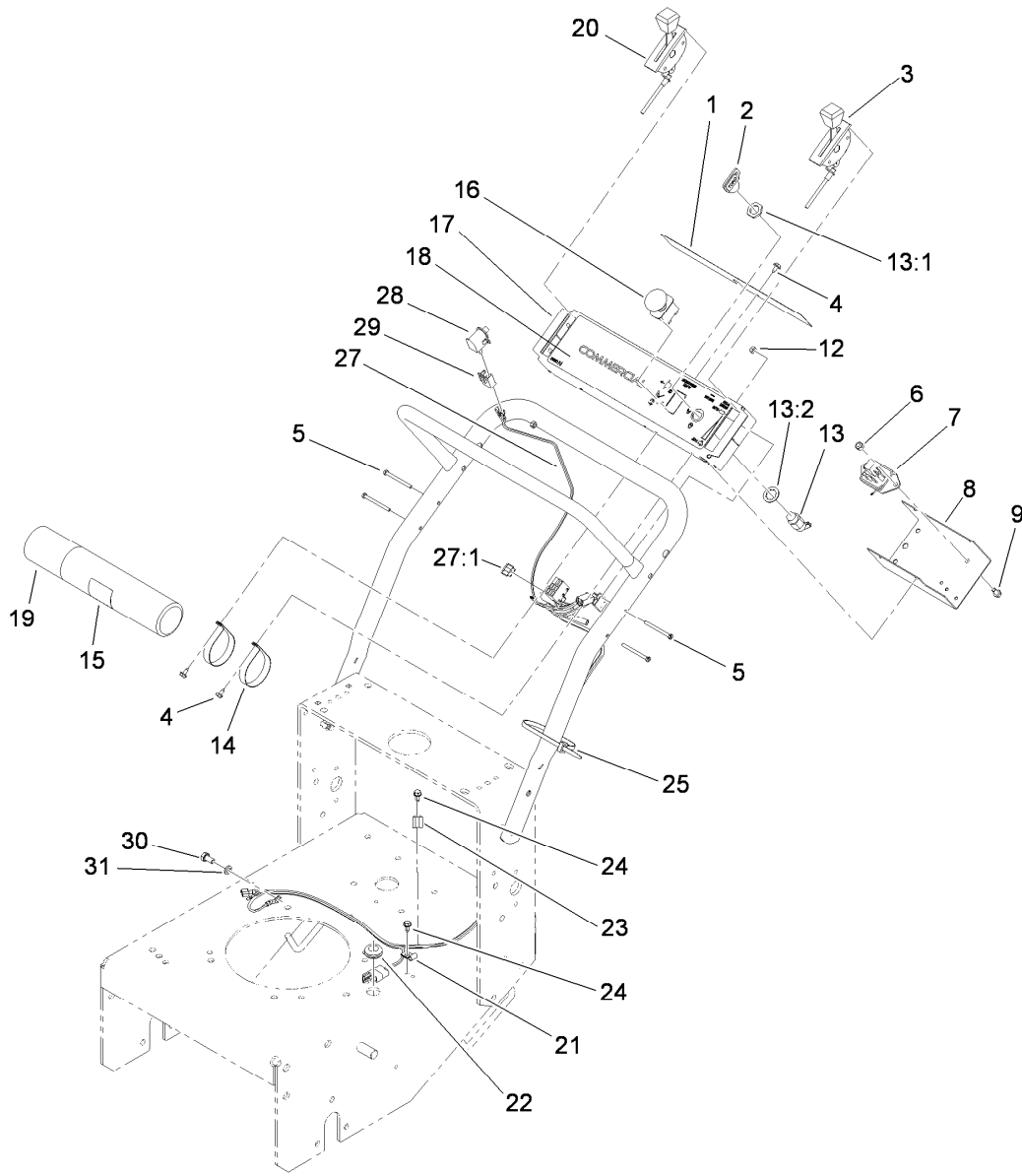
Wheel Drive and Brake Assembly

<i>Ref.</i>	<i>Part Number</i>	<i>Qty.</i>	<i>Description</i>	<i>Ref.</i>	<i>Part Number</i>	<i>Qty.</i>	<i>Description</i>
1	32151-72	4	Ring-Retaining	16:3	232-27	1	Stem-Valve
2	32151-56	2	Ring-Retaining, External	17	242-50	8	Nut-Lug
3	106-8792	2	Plate-Link, Brake	18	241-119	2	Cap-Dust
4	110-5010-01	2	Brake Arm ASM	19	107-4090	2	Wheel Hub ASM
6	3290-307	2	Pin-Hair	19:2	1-543508	2	Cup-Bearing
7	108-2730	2	Rod-Brake	19:3	302-5	1	Fitting-Grease
8	32151-40	2	Ring-Retaining	19:4	10-6830	4	Stud-Type, Drive
9	106-8773	2	Brake Link ASM	22	1-323262	2	Band-Brake
10	108-2723	2	Belt-V, Banded	24	1-543511	2	Seal-Grease
13	1-543509	4	Bearing-Roller, Tapered	25	110-5006	2	Spacer-Wheel
14	1-523157	2	Washer-Spacer	26	110-4983-01	1	Axle ASM
15	1-809082	2	Nut-SHH	27	1-806800	2	Pin-Cotter
16	106-0892	2	Wheel And Tire ASM	28	32128-21	6	Nut-HF
16:1	104-6322	1	Tire	29	3234-11	6	Screw-HHF
16:2	106-0893	1	Wheel				



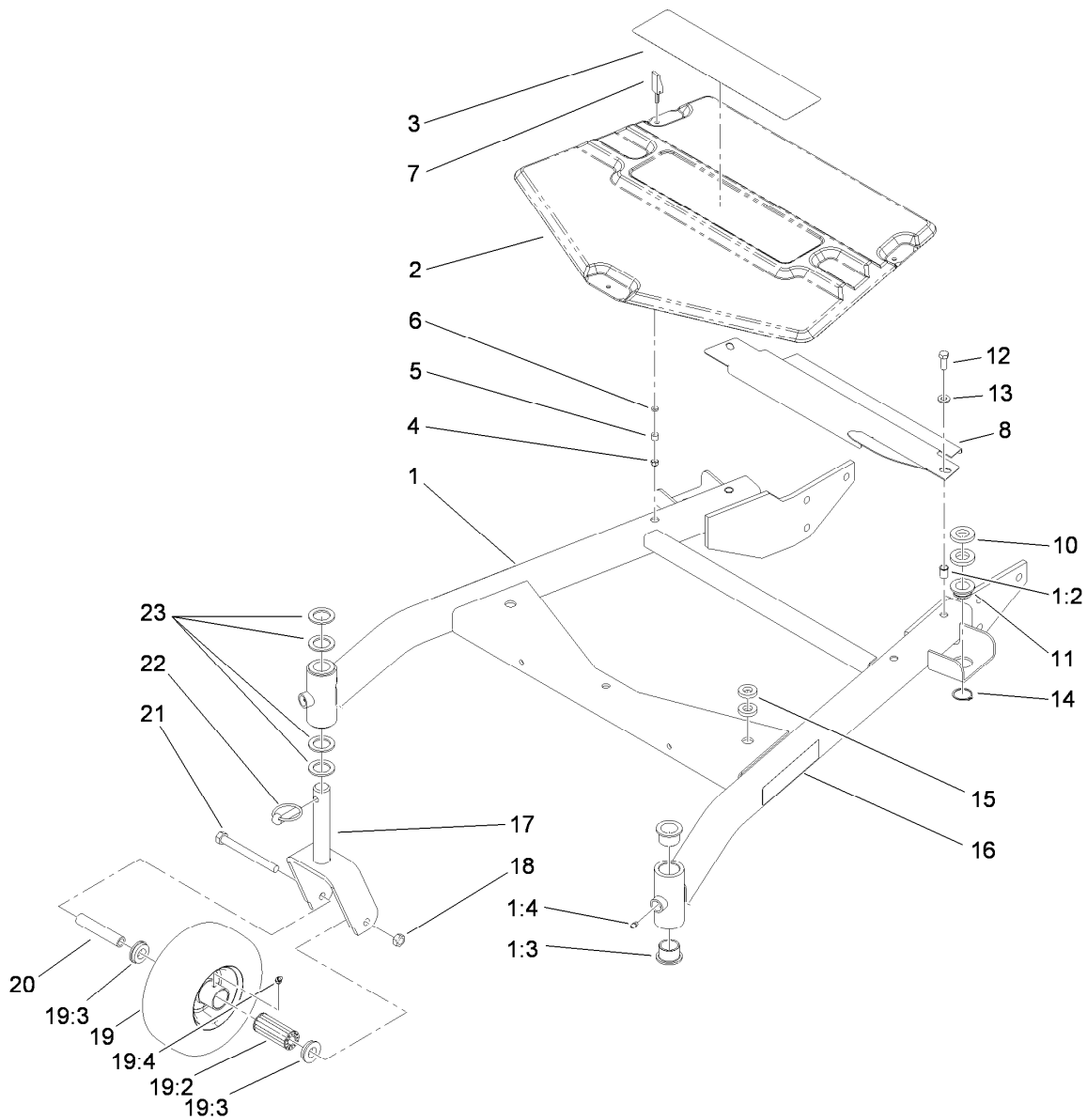
Handle Assembly

<i>Ref.</i>	<i>Part Number</i>	<i>Qty.</i>	<i>Description</i>	<i>Ref.</i>	<i>Part Number</i>	<i>Qty.</i>	<i>Description</i>
1	105-4677	2	Rod-Control	11	283-55	2	Pin-Clevis
2	3272-4	2	Pin-Cotter	12	3290-378	2	Tie-Cable
3	237-141	2	Grommet-Rubber	13	32128-21	4	Nut-HF
4	82-2290	1	Decal	14	3234-11	4	Screw-HHF
5	82-7680-03	1	Bail ASM	15	98-4387	1	Decal-Protection, Ear
6	82-7690-03	1	Bar-Control	16	32105-1	1	Screw-SHH
7	82-2280	1	Decal	17	51-4850-03	1	Lever-Brake, Parking
8	106-5477-03	1	Control Pivot ASM	18	52-2010	1	Decal-Lever, Parking
9	3272-11	2	Pin-Cotter	19	3296-2	1	Nut-Lock, NI
10	105-3158-03	1	Upper Handle ASM				



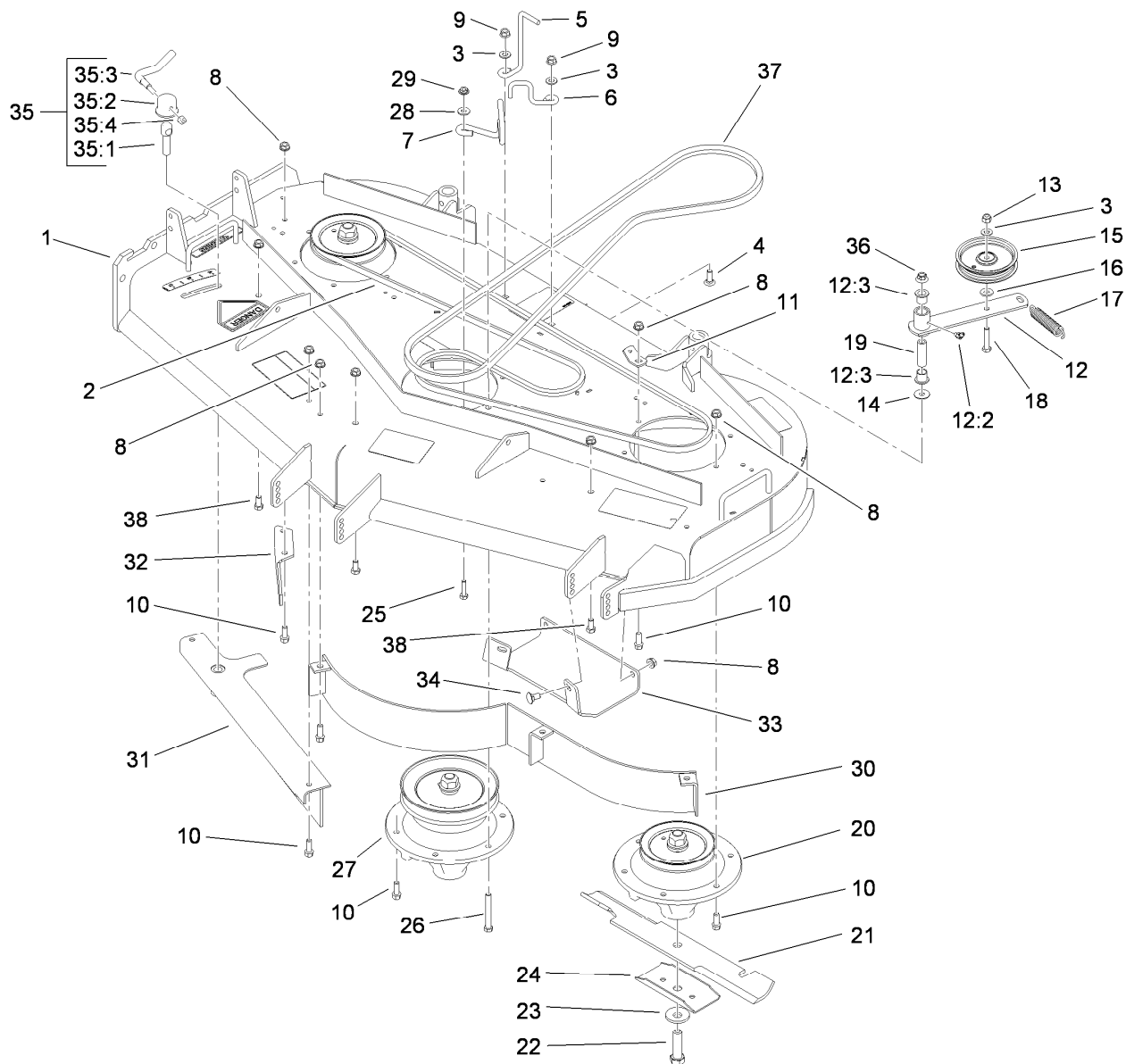
Control Panel Assembly

<i>Ref.</i>	<i>Part Number</i>	<i>Qty.</i>	<i>Description</i>	<i>Ref.</i>	<i>Part Number</i>	<i>Qty.</i>	<i>Description</i>
1	105-0884	1	Decal-Danger	17	110-4982-03	1	Panel-Control
2	63-8360	1	Key-Ignition	18	110-4971	1	Decal-Control Panel
3	119-6539	1	Cable-Throttle	19	104-7048	1	Cap-Housing
4	32104-76	4	Screw	20	110-4995	1	Cable-Choke
5	32105-14	4	Screw-SHH	21	2412-72	1	Clip-Closed, Insulated
6	3296-42	1	Nut-Lock, NI	22	112-7069	1	Grommet
7	104-8141	1	Module-Delay	23	2412-134	1	Clamp-R
8	93-1187-03	1	Panel-Bottom	24	12-3270	2	Screw
9	321-2	1	Screw-HH	25	3290-378	1	Tie-Cable
12	3296-2	4	Nut-Lock, NI	27	119-6508	1	Harness-Wire
13	29-5560	1	Switch-On / Off	27:1	114241	1	Fuse-7.5 Amp
13:1	218-461	1	Nut-HH	28	82-2190	1	Switch-Bail
13:2	3254-5	1	Washer-Tooth, Internal	29	218-595	1	Connector-Body
14	2412-120	2	R-Clamp	30	33114-016	1	Screw-HH
15	104-7050	1	Tube-Manual	31	3253-4	1	Washer-Lock
16	104-8140	1	Switch-PTO				



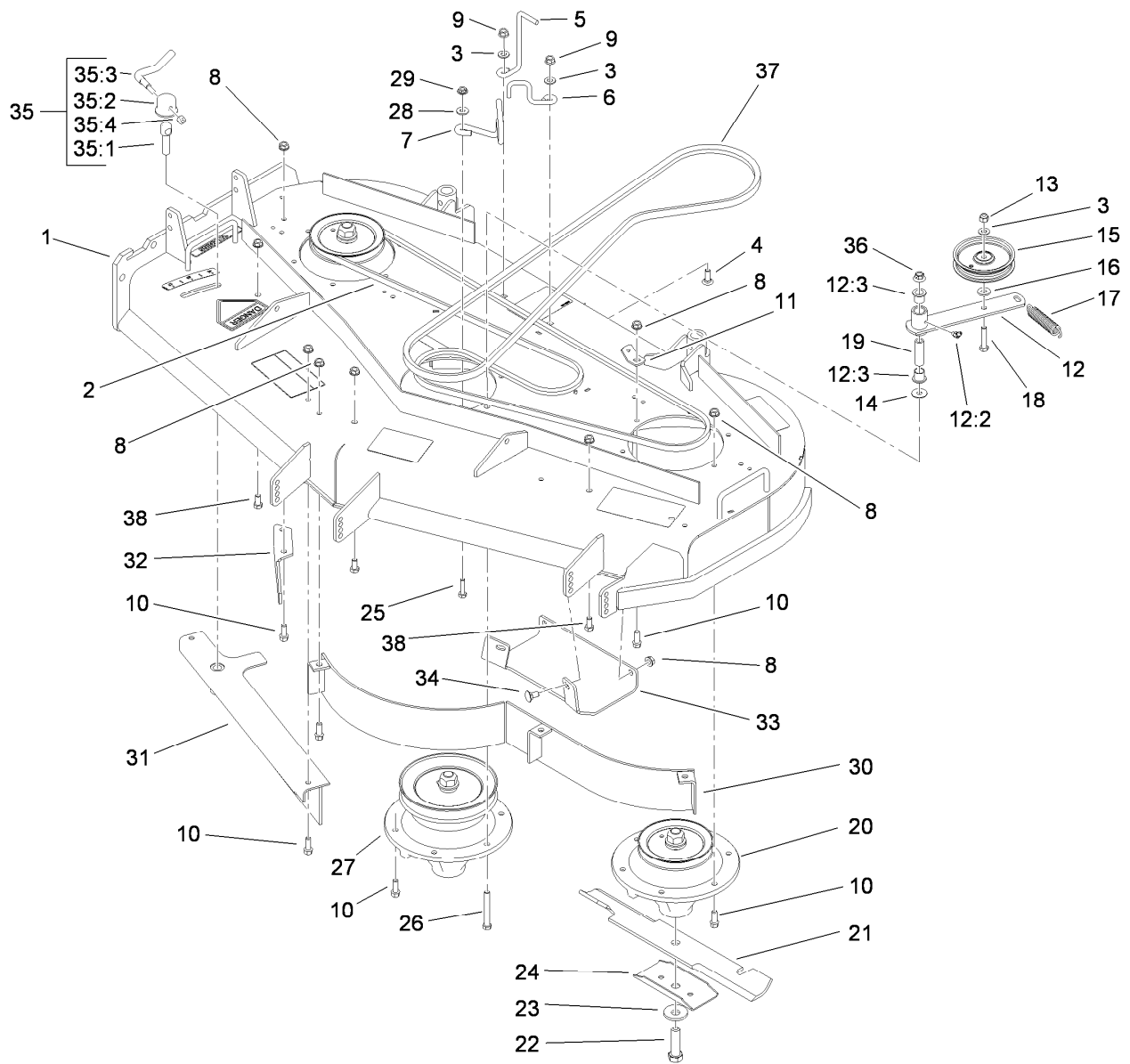
Carrier Frame Assembly

<i>Ref.</i>	<i>Part Number</i>	<i>Qty.</i>	<i>Description</i>	<i>Ref.</i>	<i>Part Number</i>	<i>Qty.</i>	<i>Description</i>
1	108-2665	1	Carrier Frame ASM	13	3256-24	2	Washer-Flat
1:2	32148-9	2	Insert-Nut	14	32120-33	2	Ring-Retaining
1:3	94-1291	4	Bushing	15	1-323539	4	Spacer
1:4	302-5	2	Fitting-Grease	16	106-0635	2	Decal-HOC
2	108-6625	1	Cover-Frame, Carrier	17	105-3159-01	2	Castor Fork ASM
3	112-9713	1	Decal	18	32153-5	2	Nut-Hex
4	1-804254	3	Nut	19	110-5024	2	Wheel And Tire ASM
5	106-6778	3	Bushing-Latch, Swell	19:2	112-7066	1	Bearing-Roller
6	99-3058	3	Washer	19:3	1-513810	2	Bushing
7	106-6777	3	Handle-Latch, Swell	19:4	302-61	1	Zerk
8	119-6534-01	1	Shield-Belt	20	100-6453	2	Bushing-Spanner
10	104-1105	4	Spacer-Support, Deck	21	325-19	2	Screw-HH
11	1-513336	2	Bushing-Deck	22	283-71	2	Pin-Lynch
12	323-6	2	Screw-HH	23	3-6781	8	Washer-Thrust



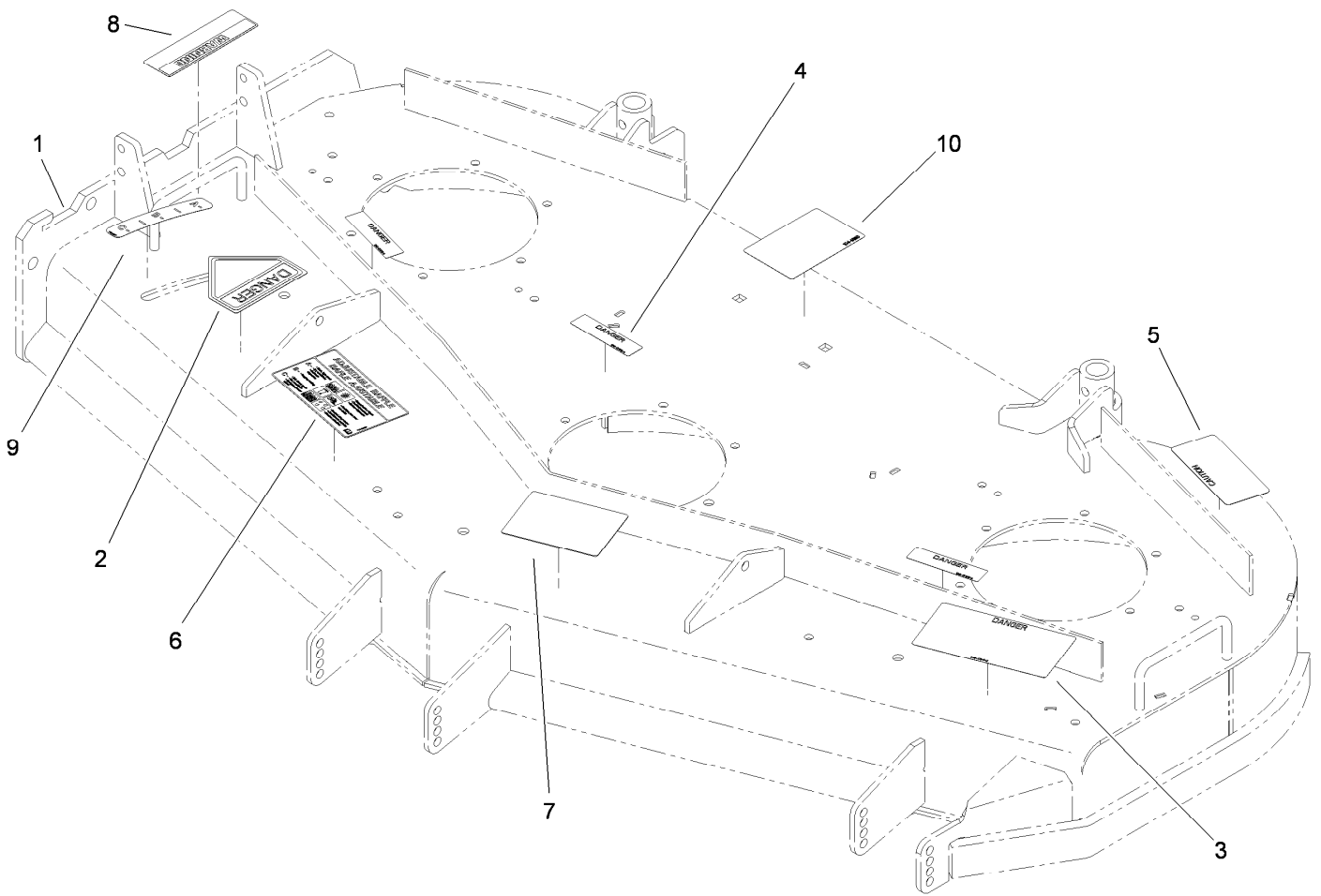
Deck Drive and Baffle Assembly

Ref.	Part Number	Qty.	Description	Ref.	Part Number	Qty.	Description
1	112-7083	1	Deck ASM	20	110-0728	2	Spindle ASM
2	108-2694	1	Belt-V	21	105-7781-03	3	Blade-18 Inch (Hi Flow)
3	3256-24	3	Washer-Flat	22	51-4060	3	Screw-Blade
4	3231-22	2	Screw-CARR	23	103-0865	3	Washer-Blade Bolt, Heavy
5	98-5980	1	Guide-Belt	24	108-2727	3	Stiffener-Blade
6	110-6975	1	Guide-Belt	25	322-6	1	Screw-HH
7	105-0850	1	Guide-Belt	26	323-14	1	Screw-HH
8	3290-357	29	Nut-HHF, Whiz	27	110-0730	1	Spindle ASM
9	32128-21	2	Nut-HF	28	3256-3	1	Washer-Flat
10	92-1624	22	Screw-HWH	29	32128-13	1	Nut-HF
11	104-6374	1	Plate-Spring	30	110-0740-03	1	Baffle ASM
12	108-2728	1	Idler Arm ASM	31	110-0745-03	1	Adjustable Baffle ASM
12:2	302-11	1	Fitting-Lube, 45 DEG	32	110-0754-01	1	Baffle-Discharge
12:3	256-90	2	Bushing-Flange	33	106-7358-01	1	Plate-Skid
13	3296-39	1	Nut-Lock, NI	34	3231-1	4	Screw-CARR
14	52-2860	1	Washer	35	107-1664	1	Lever ASM
15	93-1622	1	Pulley-Idler	35:1	106-3239	1	Screw-Lock
16	9202414	1	Washer-Spacer	35:2	107-1644	1	Cap-Lock
17	51-3650	1	Spring-Extension	35:3	106-3241	1	Lever-Lock
18	323-9	1	Screw-HH	35:4	3296-29	1	Nut-Lock, NI
19	112-7091	1	Spacer	36	32128-19	1	Nut-HF



Deck Drive and Baffle Assembly (continued)

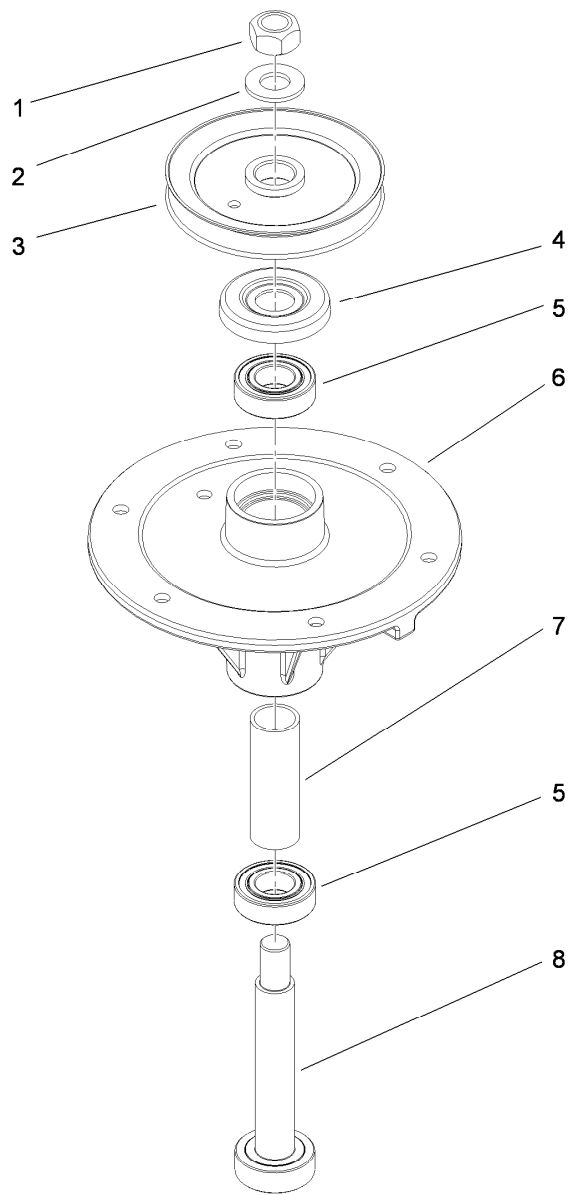
Ref.	Part Number	Qty.	Description
37	108-2693	1	Belt-V
38	323-4	3	Screw-HH



Deck Assembly No. 112-7083

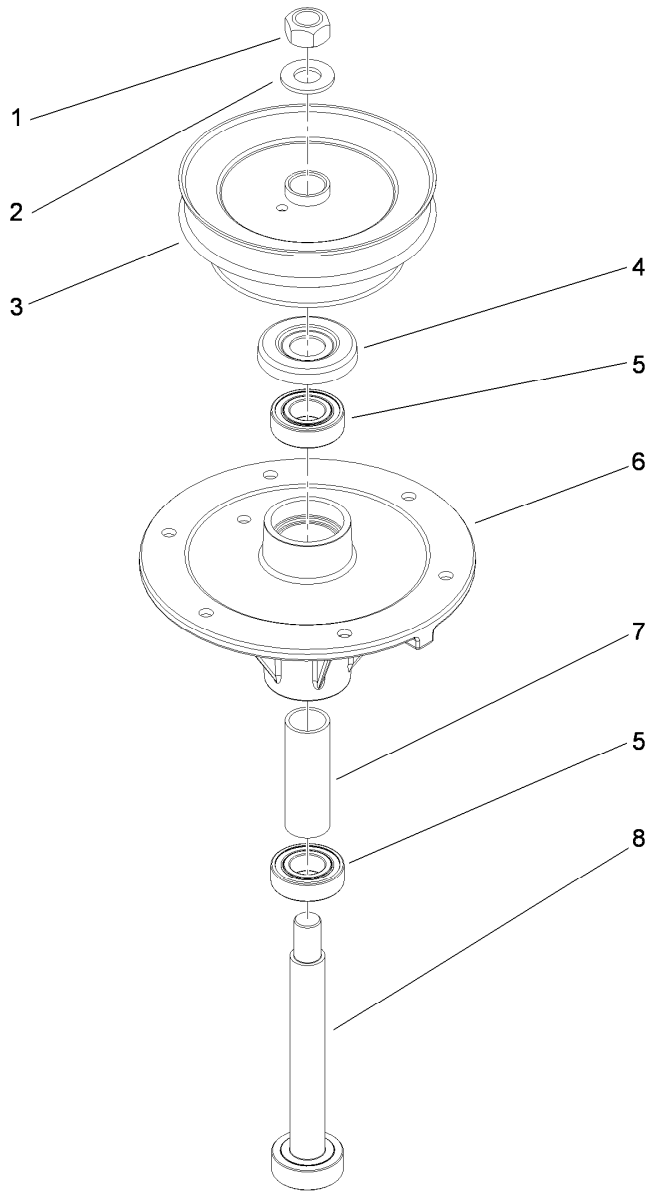
Ref.	Part Number	Qty.	Description
1		1	52 Inch Deck ASM ●
2	43-8480	1	Decal-Danger
3	66-1340	1	Decal-Danger, Thrown Object
4	98-5954	3	Decal-Cover, Missing
5	68-8340	1	Decal-Torque
6	110-2068	1	Decal-Adjustment, Baffle
7	105-7798	1	Decal-Scalp, Anti
8	104-8569	1	Decal-Warning
9	110-2067	1	Decal-Setting, Baffle
10	104-8186	1	Decal-Routing, Belt

● Not serviced separately



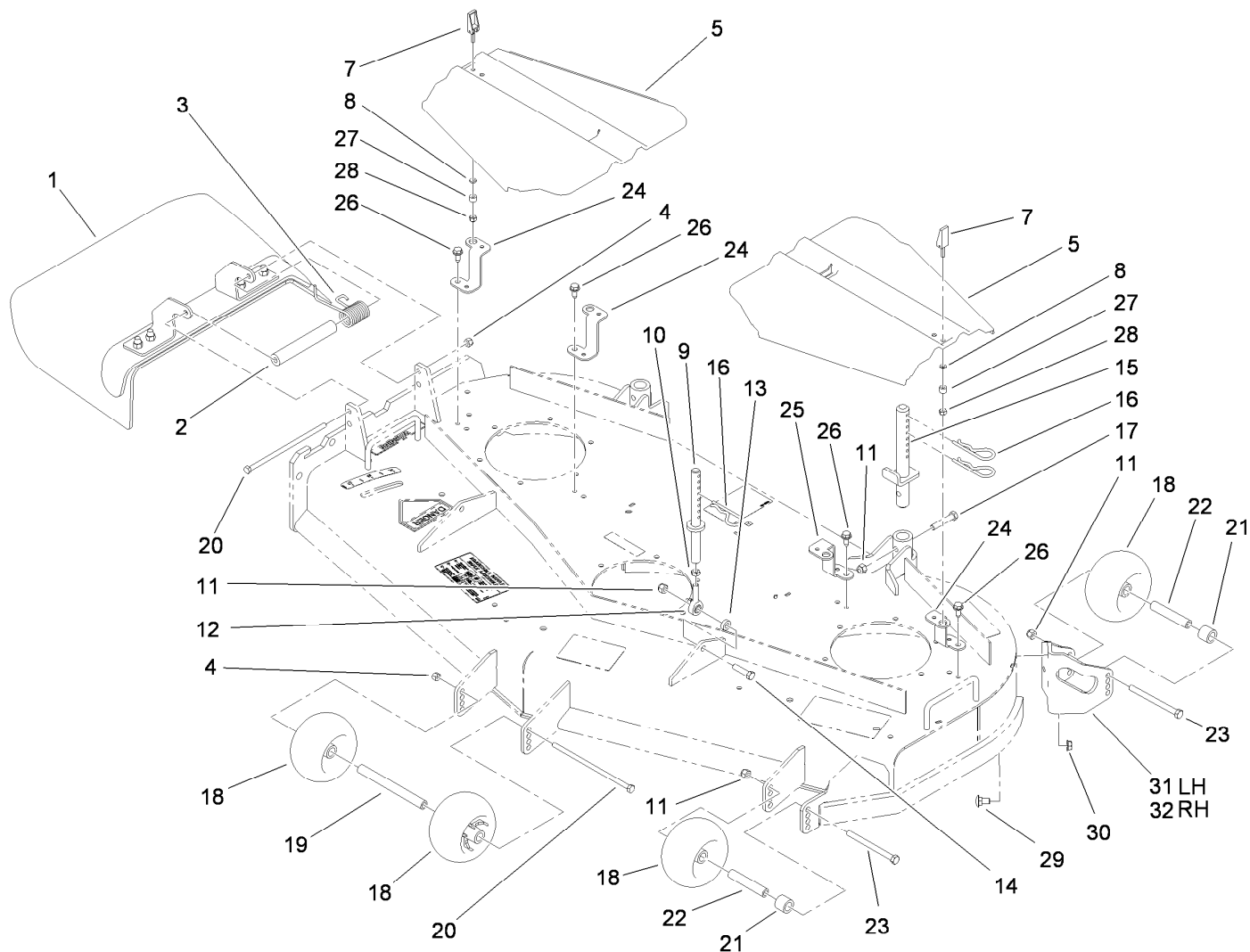
Spindle Assembly No. 110-0728

<i>Ref.</i>	<i>Part Number</i>	<i>Qty.</i>	<i>Description</i>
1	3219-7	1	Nut-Hex
2	7-4150	1	Washer
3	104-1181	1	Pulley ASM
4	106-0873	1	Shield-Bearing
5	104-6325	2	Bearing-Ball
6	108-6696	1	Housing-Spindle
7	110-0727	1	Spacer-Bearing
8	110-0726	1	Shaft-Spindle



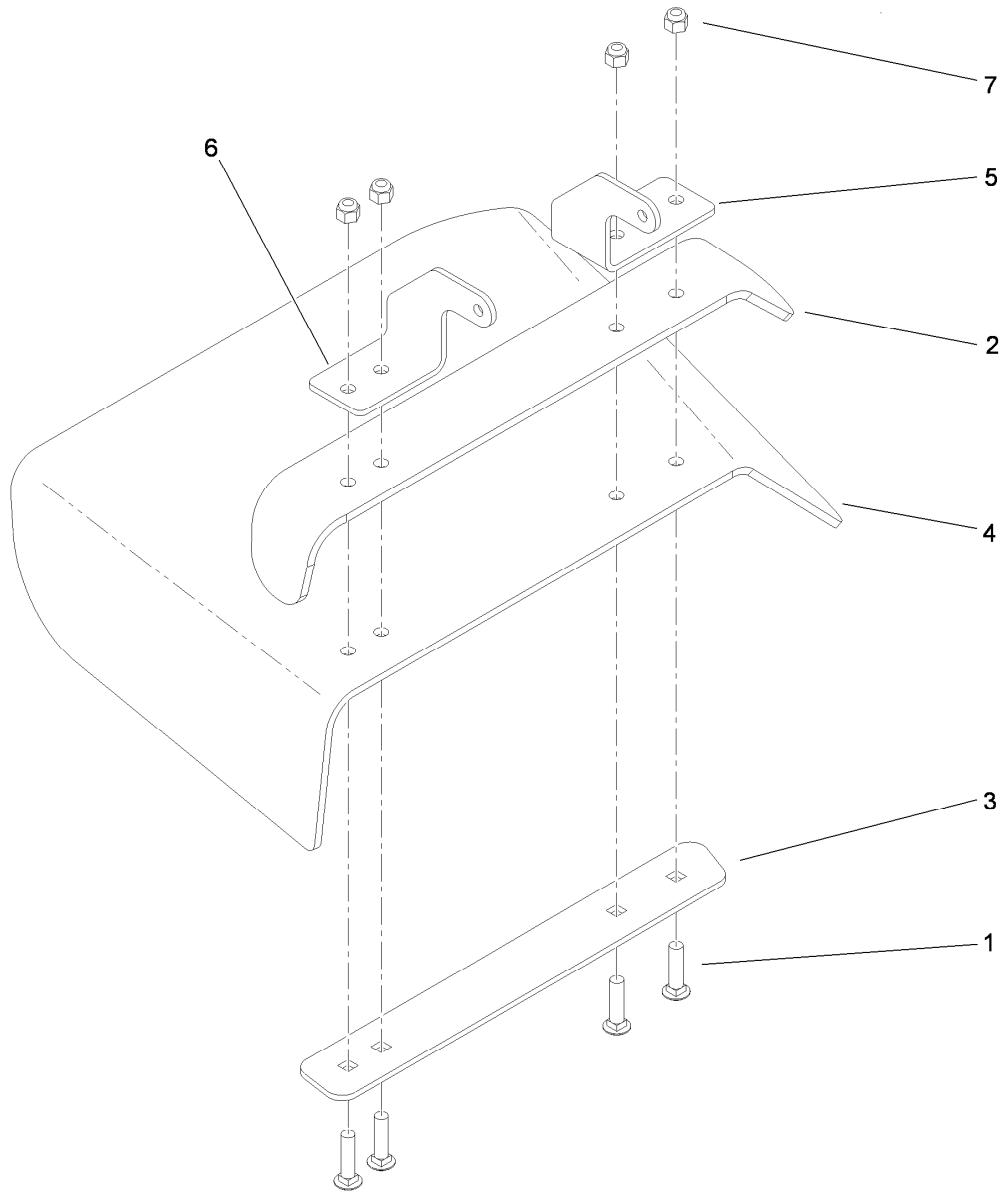
Spindle Assembly No. 110-0730

<i>Ref.</i>	<i>Part Number</i>	<i>Qty.</i>	<i>Description</i>
1	3219-7	1	Nut-Hex
2	7-4150	1	Washer
3	108-6627	1	Pulley And Hub ASM
4	106-0873	1	Shield-Bearing
5	104-6325	2	Bearing-Ball
6	108-6696	1	Housing-Spindle
7	110-0727	1	Spacer-Bearing
8	110-0725	1	Shaft-Spindle



Deck Assembly

Ref.	Part Number	Qty.	Description	Ref.	Part Number	Qty.	Description
1	110-0758	1	Deflector ASM	18	1-603299	5	Roller-Scalp, Anti
2	105-4622	1	Spacer	19	98-5967	1	Spacer-Wheel
3	104-8554	1	Spring-Torsion	20	322-50	2	Screw-HH
4	3296-29	2	Nut-Lock, NI	21	98-7913	3	Tube-Spacer
5	107-8536	2	Cover-Belt	22	98-7912	3	Tube-Spanner
7	106-6777	2	Handle-Latch, Swell	23	323-23	3	Screw-HH
8	99-3058	2	Washer	24	108-2698-01	3	Bracket-Cover
9	108-2674	2	Front Pin ASM	25	108-2699-01	1	Bracket-Cover
10	3220-3	2	Nut-HJ	26	32144-70	4	Screw-HWHTF
11	3296-39	7	Nut-Lock, NI	27	106-6778	2	Bushing-Latch, Swell
12	1-613204	2	Balljoint	28	1-804254	2	Nut
13	104-1156	2	Spacer	29	3231-1	6	Screw-CARR
14	323-8	2	Screw-HH	30	32128-21	6	Nut-HF
15	110-2086	2	Rear Pin ASM	31	110-0736-01	1	Bracket-Roller, LH
16	3290-256	6	Pin-Hair	32	110-0737-01	1	Bracket-Roller, RH
17	323-10	2	Screw-HH				



Deflector Assembly No. 110-0758

<i>Ref.</i>	<i>Part Number</i>	<i>Qty.</i>	<i>Description</i>
1	3231-4	4	Screw-CARR
2	106-3246-01	1	Deflector
3	106-3248-03	1	Strap-Discharge
4	110-0759	1	Deflector-Rubber
5	107-4197-01	1	Bracket-Hinge, Rear
6	107-4196-01	1	Bracket-Hinge, Front
7	3296-39	4	Nut-Lock, NI

Attachments and Accessories

For 30079 Commercial Walk-Behind Mower, Floating Deck, T-Bar, Gear Drive with 52in TURBO FORCE Cutting Unit

Product Name	Model/Part
Blade-Recycler, 18 Inch.....	105-7779-03
Blade-Med Flow, 18 Inch	105-7794-03
Blade-Low Flow, 18 Inch.....	105-7795-03
Blade-Atomic, 18 Inch.....	105-7796-03
Turbo Baffle Kit	107-1634
Blade-Hi-Flow, 18 Inch (6 Pack).....	108-1117
Blade-Atomic, 18 Inch (6 Pack).....	108-1118
Blade-Lo-Flow, 18 Inch (6 Pack).....	110-0406
Blade-Recycler, 18 Inch (6 Pack).....	110-0408
Blade-Med-Flow, 18 Inch (6 Pack).....	110-0409
52 Inch Recycler Kit.....	110-2040
Weight-Cast.....	112-7059-01
Weight Kit	112-9971
Operator-Controlled Discharge Chute Kit	115-4195
Soft Bag (3 Bushel).....	30104
Tru Trak Sulky.....	30110

Notes:

Notes:

Notes:



Count on it.