



Count on it.

Parts Catalog

**Commercial Walk-Behind Mower
Floating Deck, Split Lever, Hydro Drive with
52in TURBO FORCE® Cutting Unit**

Model No. 30489—Serial No. 310000001 and Up

Ordering Replacement Parts

To order replacement parts, please supply the part number, the quantity, and the description of each part desired.

Understanding Reference Numbers

Each identified part in an illustration has a reference number. The reference number for a part also appears in the parts list, along with other information about the part.

This catalog uses two special reference number formats, one to indicate parts in a service assembly and another to indicate the quantity of a given part in an illustration.

Service Assembly Reference Numbers

Parts in service assemblies have reference numbers in the form a:b. The a represents the reference number of the entire service assembly and the b represents a sequential number unique to each part within the service assembly.

For example, a wheel assembly might be identified by reference number 6, the tire by 6:1, the valve by 6:2, and the wheel by 6:3. When you order the assembly identified by reference number 6, you receive all parts identified by reference numbers 6:1, 6:2, and 6:3. However, you may also order any part individually. Reference numbers of this type appear in illustration and in parts lists.

Reference Numbers Indicating Quantity

In an illustration, if a reference number indicates more than one part, the reference number has the form nX y. The n represents the quantity of the part, the X is the multiplication symbol, and the y represents the reference number.

For example, in an illustration, the reference number 2X 37 means that two of the parts identified by reference number 37 are indicated.

List of Abbreviations

AR: as required

ASM: assembly

BBC: blade brake control

BHTF: button head thread forming

CARR: carriage

CCW: counter clockwise

CW: clockwise

DEG: degrees

DPA: Dual Point Adjustment

ECM: electronic control module

EXT: external

FH: flat head

GA: gauge

HD: heavy-duty

HF: hex flange

HH: hex head

HHF: hex head flange

HHFTF: hex head flange thread forming

HJ: hex jam

HLH: hex lag head

HOC: height-of-cut

HSBH: hex socket button head

HSFH: hex socket flat head

HSH: hex socket head

HWH: hex washer head

HWTF: hex washer head thread forming

HYD: hydraulic

LH: left hand

LP: Liquid Propane

NI: nylon insert

NPTF: national pipe thread fine

PFH: phillips flat head

PPH: phillips pan head

PPHTF: phillips pan head thread forming

PRH: phillips round head

PTH: phillips truss head

PTO: power-take-off

RH: right hand

ROPS: roll-over protection system

RRB: rear roller brush

SFH: slotted fillister head

SHH: slotted hex head

SHWH: slotted hex washer head

SPH: slotted pan head

SQH: square head

SRH: slotted round head

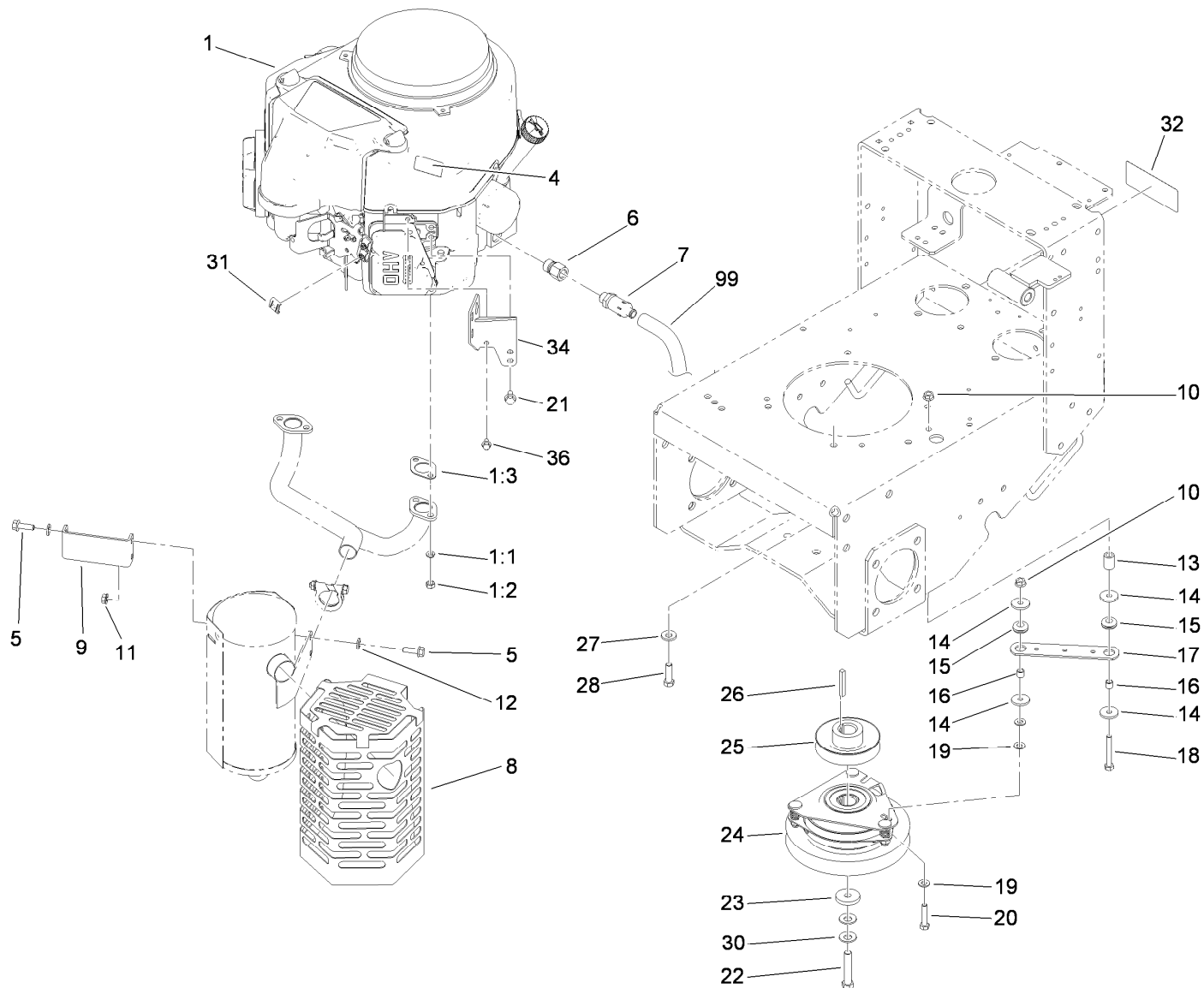
STD: standard

TAP: self tapping

TTH: torx truss head

Contents

Engine and Clutch Assembly	4
Fuel System Assembly	5
Ground Drive Assembly	6
Hydraulic Motor Assembly No. 104-1171	7
Hydraulic System Assembly	8
Hydraulic Pump Assembly No. 115-4480	9
Hydraulic Pump Assembly No. 115-4481	10
Hydraulic Hose Assembly	11
Upper Control Assembly	12
Control Panel Assembly	13
Electrical System Assembly	14
Parking Brake Assembly	15
Power-Take-Off Idler and Weight Assembly	16
Carrier Frame Assembly	17
Deck Drive and Baffle Assembly	18
Deck Decal Assembly No. 112-7083	20
Spindle Assembly No. 110-0728	21
Spindle Assembly No. 110-0730	22
Deck Assembly	23
Deflector Assembly No. 110-0758	24
Attachments and Accessories	25



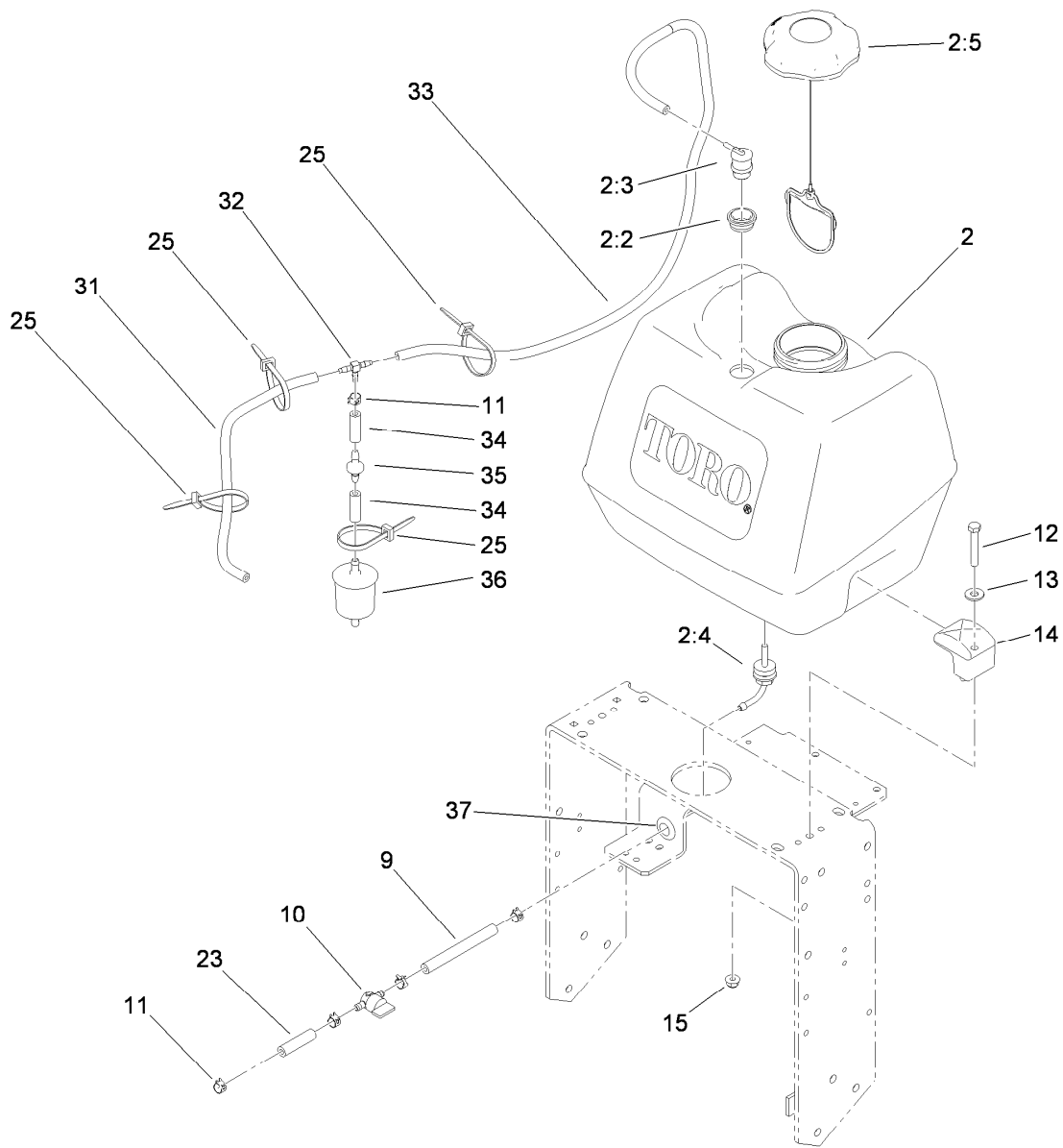
Engine and Clutch Assembly

Ref.	Part Number	Qty.	Description
1		1	Engine-Kawasaki, Fs600V-As09 ●■
1:1	114-3550	4	Washer-Lock, Spring
1:2	114-3549	4	Nut
1:3	1-653313	2	Gasket-Exhaust
4	106-0699	1	Decal-Warning
5	33104-025	4	Screw-HHF
6	103-1966	1	Adapter
7	92-6877	1	Valve-Drain, Oil
8	119-3629-03	1	Muffler Shield ASM
9	119-3635-03	1	Bracket-Shield, Muffler
10	32128-20	2	Nut-HF
11	117-1350	4	Nut-HF, Lock
12	1-303334	4	Washer-Spring
13	104-6373	1	Tube-Retainer
14	1-613235	4	Washer
15	1-633630	2	Grommet-Brake
16	1-633545	2	Spacer

Ref.	Part Number	Qty.	Description
17	1-633543-03	1	Strap-Clutch, Brake
18	322-11	1	Screw-HH
19	3256-23	3	Washer-Flat
20	322-7	1	Screw-HH
21	33104-016	2	Screw-HHF
22	3212-9	1	Screw-HH
23	107-4136	1	Washer
24	105-2635	1	Clutch / Brake ASM
25	44-5940	1	Pulley
26	608006	1	Key-Square
27	98-5975	4	Washer-Belleville
28	323-7	4	Screw-HH
30	1-603610	2	Washer-Spring
31	81-1690	1	Clamp-Cable
32	98-0776	1	Decal-Caution
34	117-8561-03	1	Bracket-Muffler
36	33103-012	1	Screw-HHF
99	103-1964	1	Hose-Drain, Oil

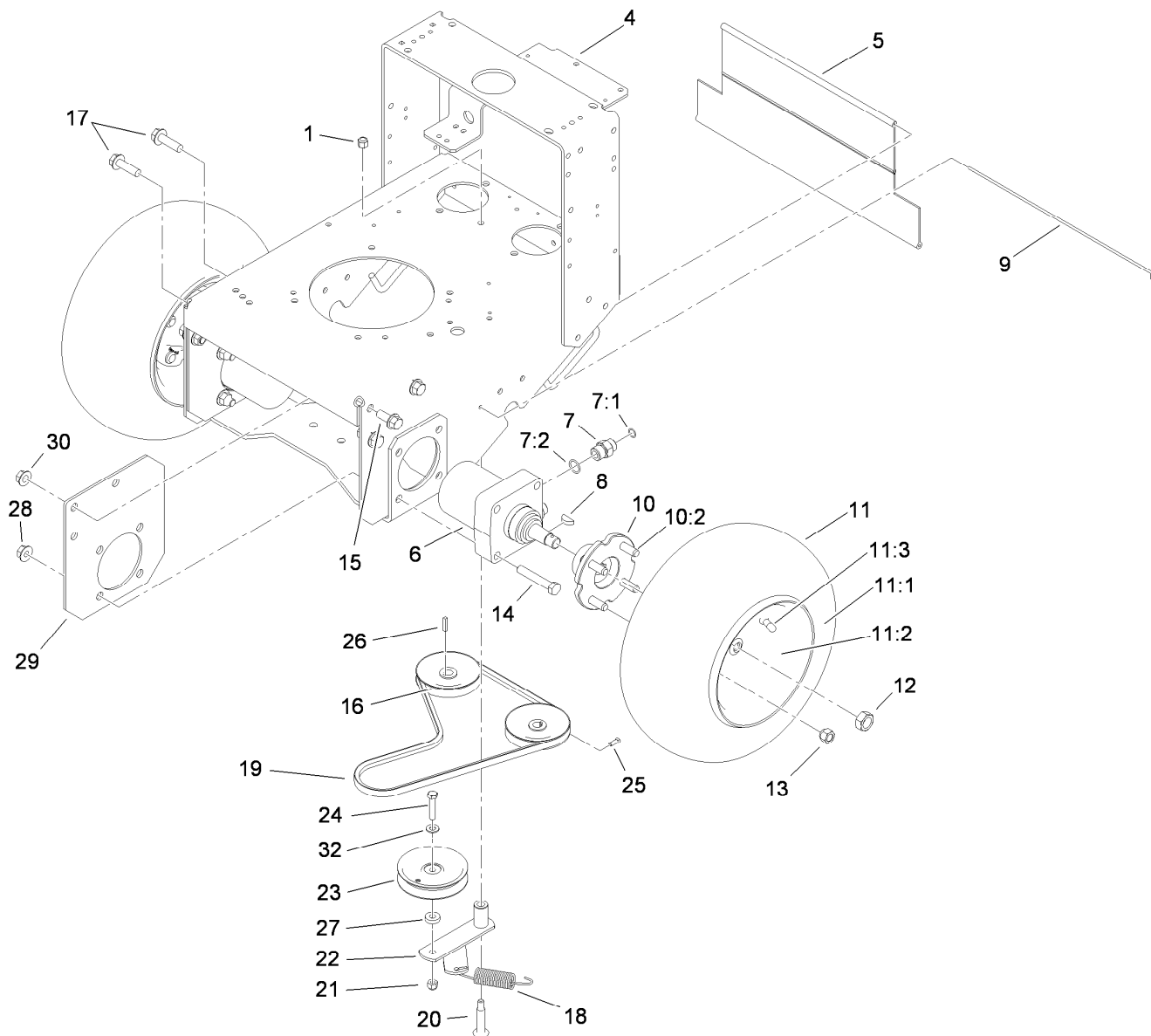
● Not serviced separately

■ Obtain parts from www.kawpowerepc.com



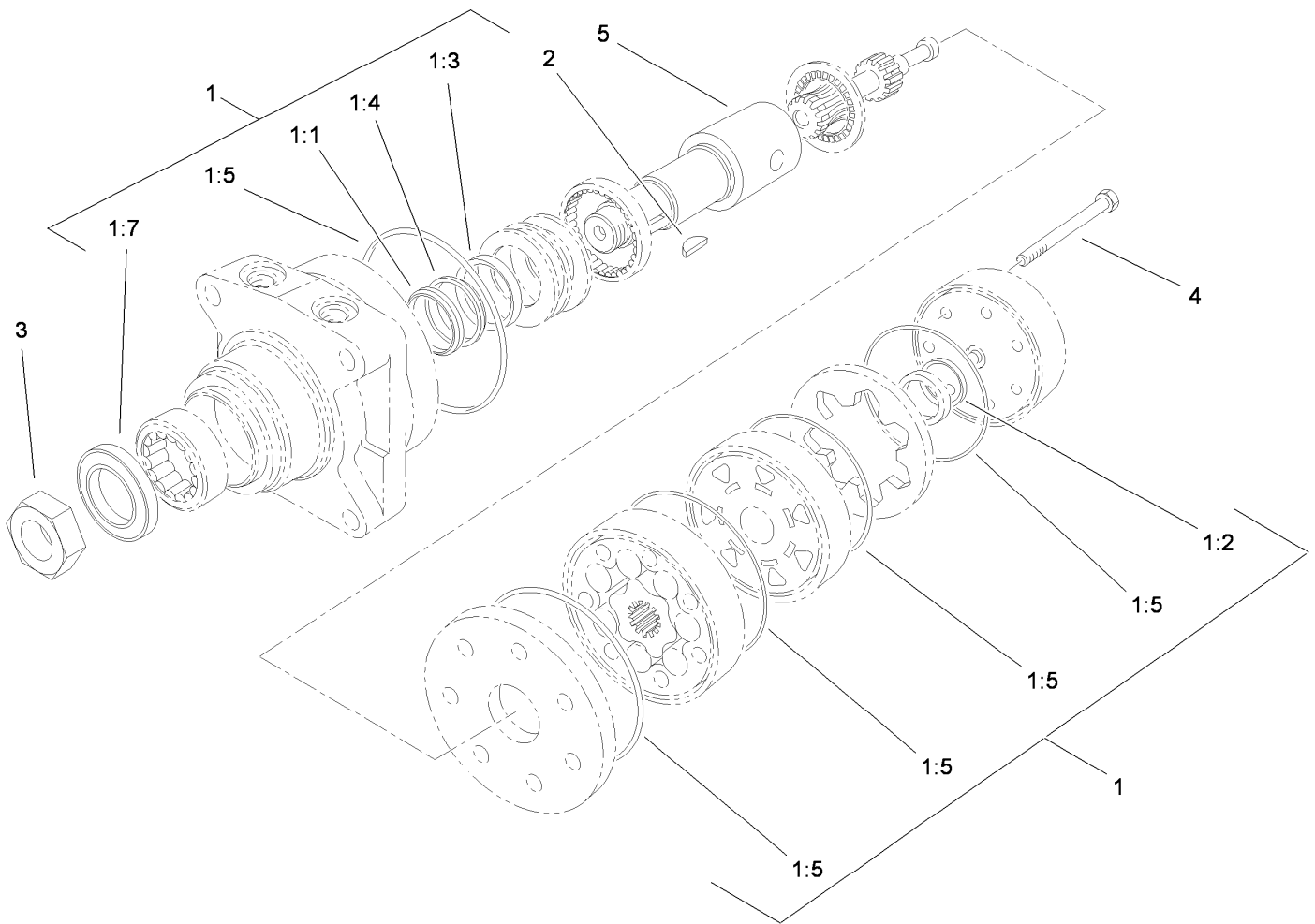
Fuel System Assembly

Ref.	Part Number	Qty.	Description	Ref.	Part Number	Qty.	Description
2	119-7899	1	Fuel Tank ASM	15	104-8300	2	Nut-Flange, NI
2:2	119-6549	1	Grommet-Valve, Roll Over	23	99-9415	1	Hose-Fuel
2:3	114-0285	1	Valve-Rollover	25	3290-378	4	Tie-Cable
2:4	103-2605	1	Fitting-Fuel, Bulkhead	31	115-7872	1	Hose-Fuel
2:5	115-4465	1	Cap-Fuel, Ratcheting	32	120-2234	1	Fitting-Tee
9	109-0650	1	Hose-Fuel	33	116-4346	1	Hose-Emissions
10	1-603770	1	Valve-Fuel	34	106-9492	2	Hose-Fuel
11	2412-98	5	Clamp	35	99-5000	1	Valve-Check, Fuel
12	322-10	2	Screw-HH	36	120-2235	1	Filter-Air
13	3256-3	2	Washer-Flat	37	112-7069	1	Grommet
14	107-4543	2	Clamp				



Ground Drive Assembly

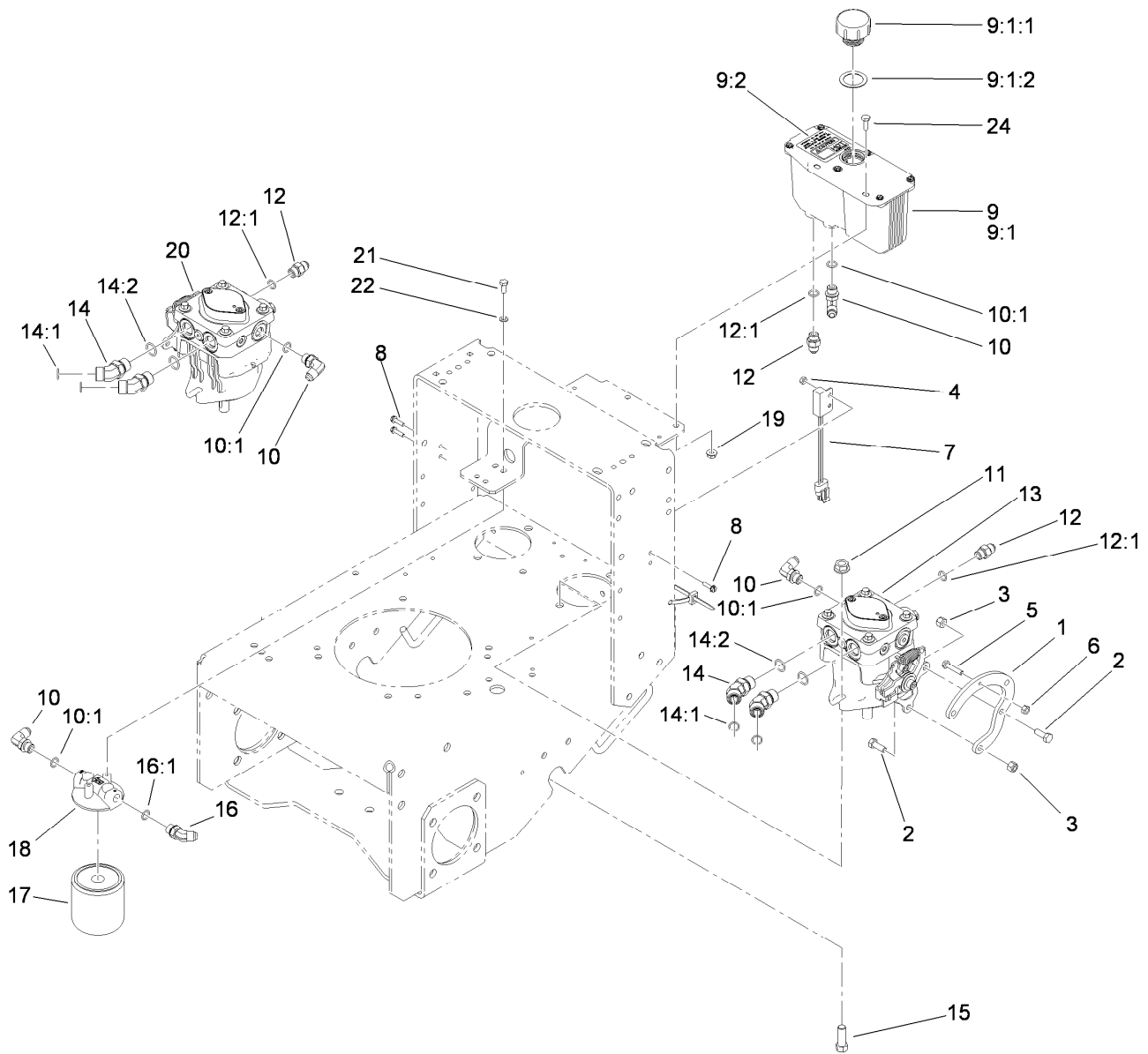
Ref.	Part Number	Qty.	Description	Ref.	Part Number	Qty.	Description
1	3296-6	1	Nut-Lock	15	3234-32	4	Screw-HHF
4	117-3527-01	1	Hydro Frame ASM	16	105-5648	2	Pulley-Pump
5	95-1526	1	Shield-Trailing	17	3234-22	2	Screw-HHF
6	104-1171	2	Motor-Wheel	18	68-9950	1	Spring-Traction
7	340-6	4	Fitting-HYD, Straight	19	110-5049	1	Belt-V
7:1	237-30	1	O-Ring	20	27-6230	1	Bolt-Wheel
7:2	237-80	1	O-Ring	21	3296-39	1	Nut-Lock, NI
8	3257-8	2	Key-Woodruff	22	86-4770	1	Idler Lever ASM
9	95-1529	1	Rod-Shield	23	93-1622	1	Pulley-Idler
10	105-0800	2	Wheel Hub ASM	24	323-9	1	Screw-HH
10:2	10-6830	4	Stud-Type, Drive	25	3241-5	4	Screw-Set
11	104-1198	2	Wheel And Tire ASM	26	1-807272	2	Key
11:1	104-6320	1	Tire	27	9202204	1	Washer
11:2	104-1199	1	Wheel	28	32128-49	8	Nut-HHF
11:3	232-27	1	Stem-Valve	29	108-6657-01	2	Plate-Frame
12	85-7310	2	Nut-Motor, Wheel	30	32128-23	6	Nut-HF
13	242-50	8	Nut-Lug	32	3256-24	1	Washer-Flat
14	325-12	8	Screw-HH				



Hydraulic Motor Assembly No. 104-1171

Ref.	Part Number	Qty.	Description
1	1-000119	1	Seal Kit
1:1		1	Ring-Back Up ●
1:2		1	Seal-Commutator ●
1:3		1	Seal-Shaft (Viton) ●
1:4		1	Washer-Back Up, Steel ●
1:5		5	Ring-Seal (Viton) ●
1:7		1	Seal-Dirt And Water ●
2	3257-8	1	Key-Woodruff
3	85-7310	1	Nut-Motor, Wheel
4	106-5549	6	Bolt-Special
5	106-8764	1	Shaft-Coupling

● Not serviced separately

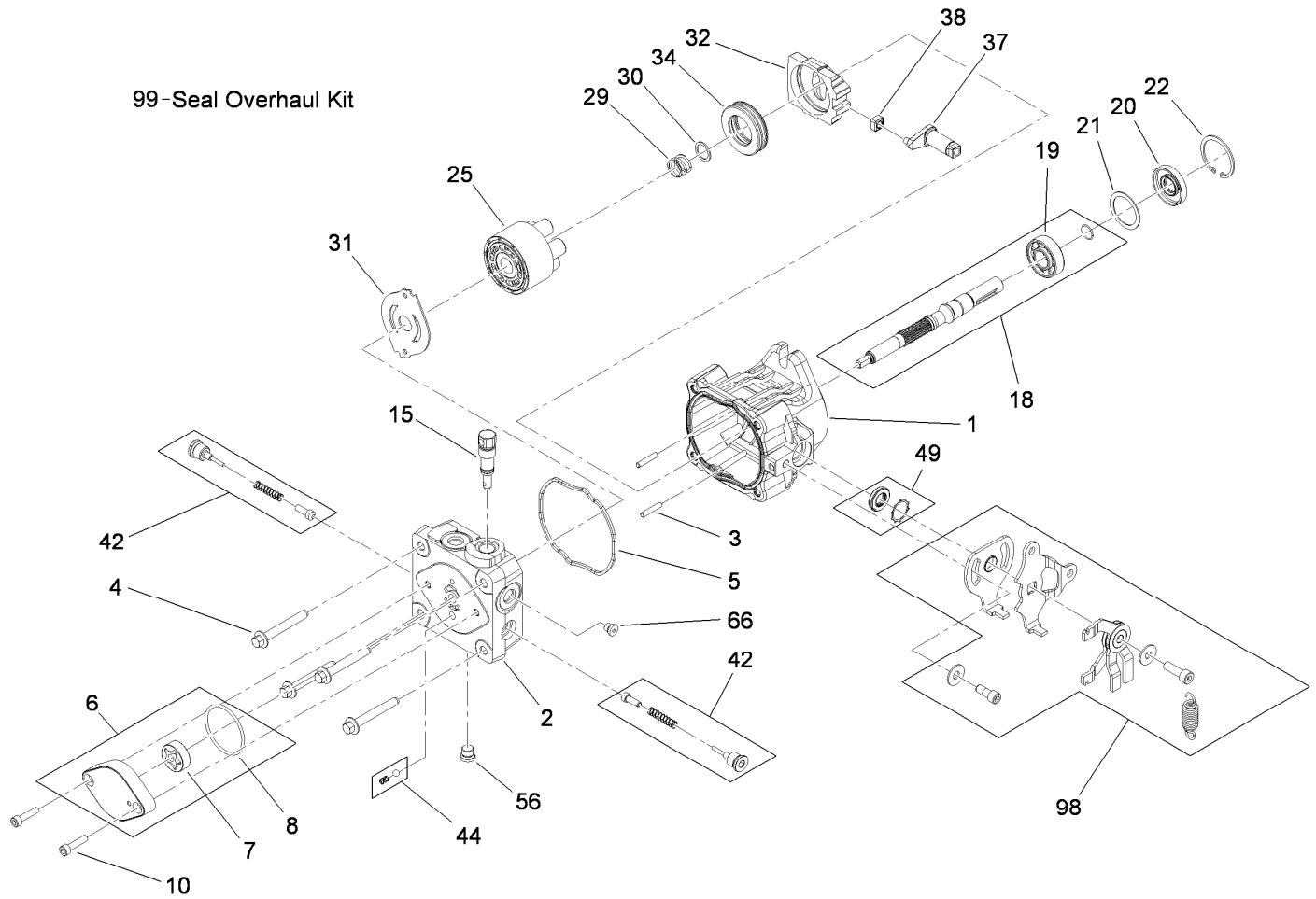


Hydraulic System Assembly

Ref.	Part Number	Qty.	Description
1	114-0227	2	Bracket-Adapter, Pump
2	322-4	4	Screw-HH
3	3296-29	4	Nut-Lock, NI
4	3296-2	4	Nut-Lock, NI
5	114-0282	2	Screw-HH
6	3217-5	2	Nut-Hex
7	105-0023	2	Switch-Proximity
8	32105-13	4	Screw-HWH
9	107-8433	1	HYD Reservoir ASM
9:1		1	Reservoir-HYD ●
9:1:1	103-1948	1	Cap-Reservoir, HYD
9:1:2	103-1949	1	Gasket-Cap
9:2	115-4212	1	Decal-Warning
10	353-374	4	Elbow-90 DEG
10:1	237-42	1	O-Ring
11	32128-42	4	Nut-HF
12	353-384	3	Fitting-Straight

Ref.	Part Number	Qty.	Description
12:1	237-42	1	O-Ring
13	115-4480	1	Pump-Hydraulic
14	340-101	4	Fitting-HYD, 45 DEG
14:1	237-30	1	O-Ring
14:2	237-79	1	O-Ring
15	324-5	4	Screw-HH
16	353-212	1	Fitting-HYD, 45 DEG
16:1	237-42	1	O-Ring
17	1-633750	1	Filter-Oil, HYD
17	1-633752	1	Filter-HYD, Winter
18	104-7836	1	Head-Filter
19	32128-33	2	Nut-HF
20	115-4481	1	Pump-Hydraulic
21	321-3	2	Screw-HH
22	3253-3	2	Washer-Lock
24	321-4	2	Screw-HH

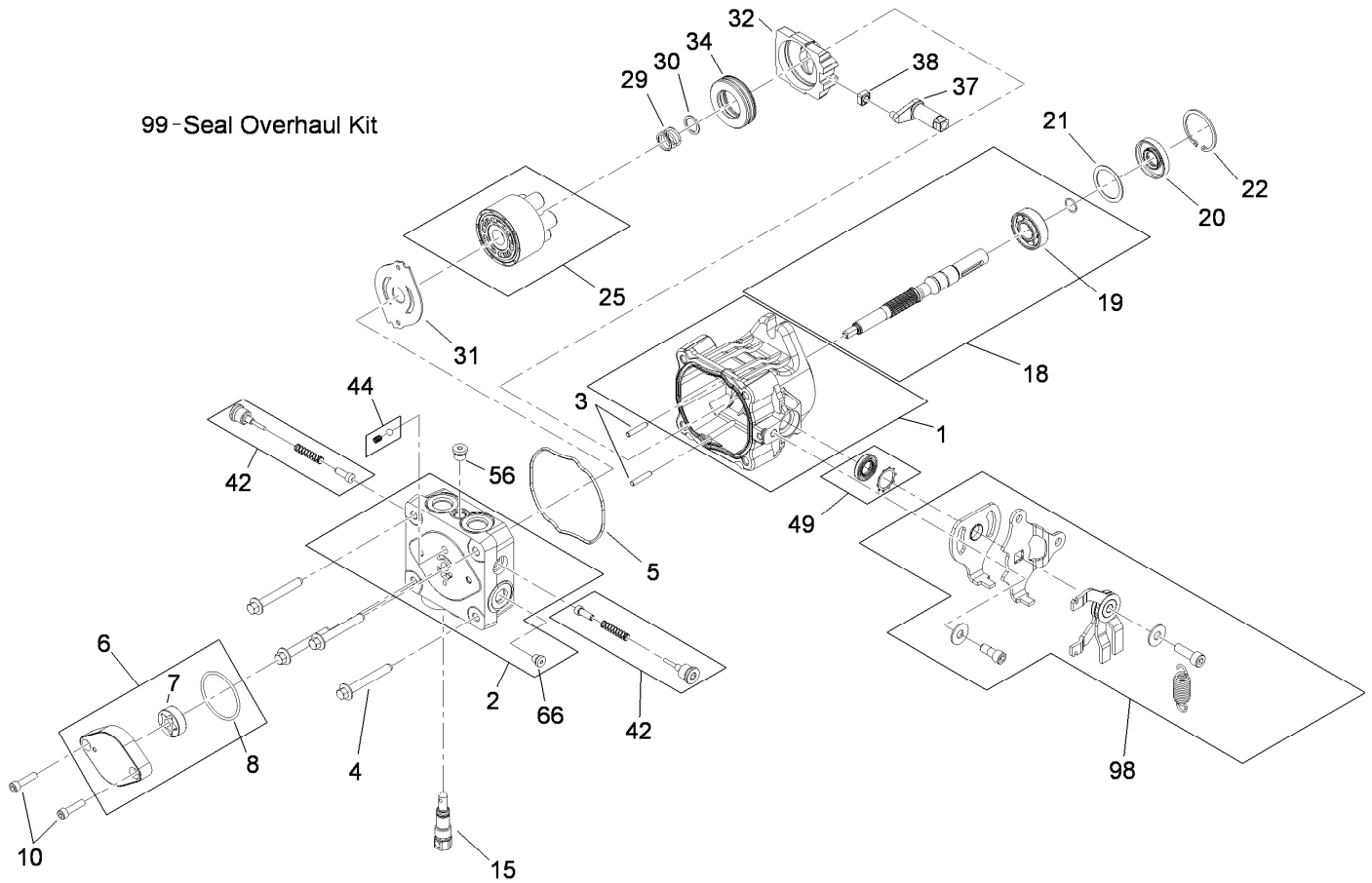
● Not serviced separately



Hydraulic Pump Assembly No. 115-4480

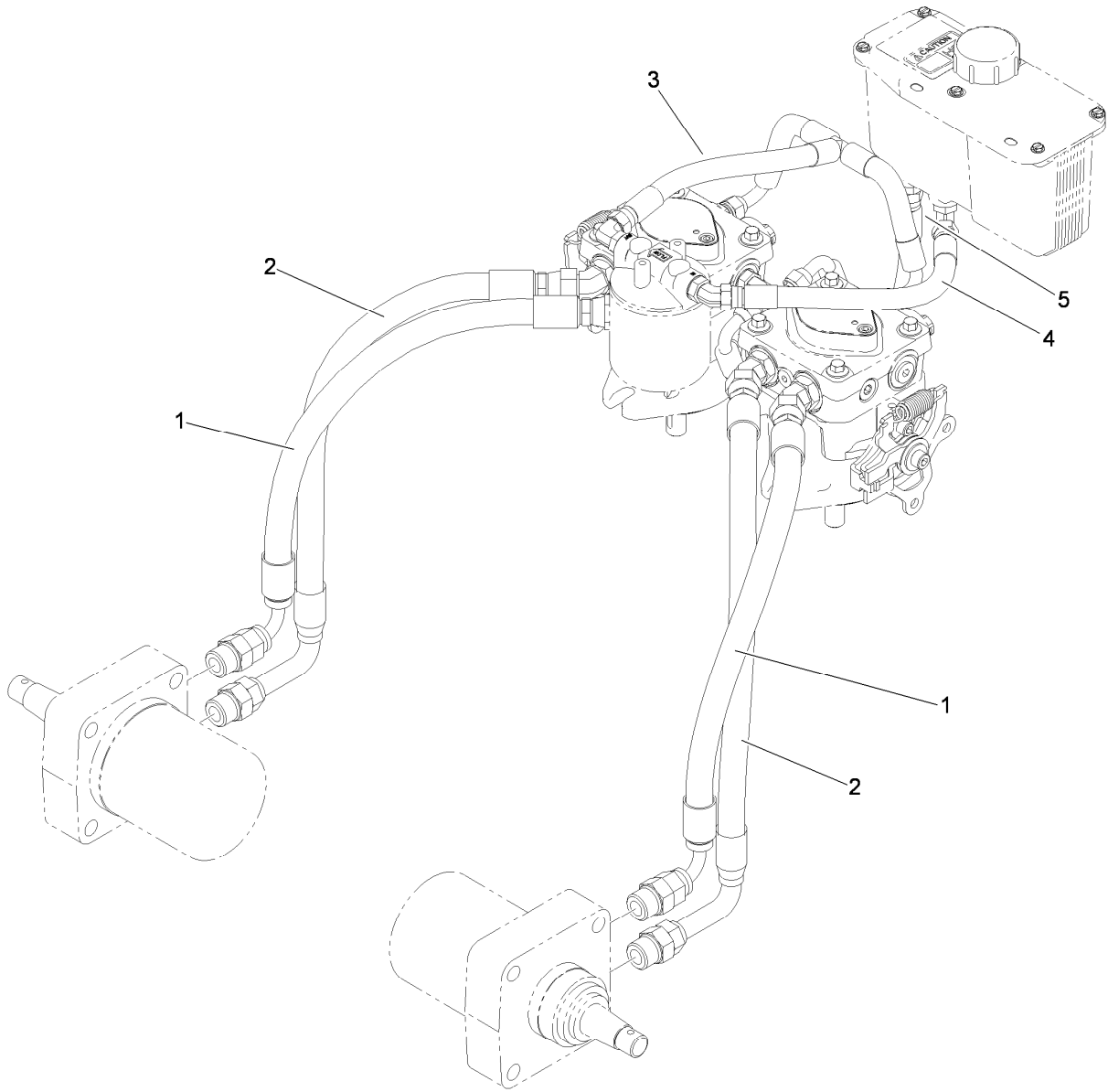
Ref.	Part Number	Qty.	Description	Ref.	Part Number	Qty.	Description
1	115-4464	1	Housing Kit	29	94-1936	1	Spring-Block
2	106-8752	1	End Cap Kit (W/Poppets)	30	94-1937	1	Washer-Thrust, Block
3	106-8753	2	Pin-Headless, Straight	31	105-6185	1	Plate-Valve
4	106-8754	4	Bolt-HF	32	94-1907	1	Swashplate-Variable
5	106-8755	1	O-Ring	34	94-6922	1	Bearing-Thrust
6	106-8756	1	Charge Pump Kit	37	115-4458	1	Arm-Trunnion, Tapered Square
7	104-2122	1	Gerotor ASM	38	94-1910	1	Guide-Slot
8	106-8757	1	O-Ring	42	98-3252	2	Valve-Check (W/Poppet)
10	104-2111	2	Capscrew	44	106-8760	1	Charge Relief Valve Kit
15	106-8759	1	Bypass Valve Kit	49	114-8155	1	Trunnion Seal Kit
18	103-2664	1	Input Shaft Kit	56	106-8762	1	Plug-HSH
19	104-5311	1	Bearing-Ball	66	106-8763	1	Plug-HSH
20	104-5310	1	Seal-Lip	98	115-4459	1	Kit-Return
21	104-5308	1	Spacer	99	105-6184	1	Seal Overhaul Kit
22	104-5309	1	Ring-Retaining				
25	103-2666	1	Cylinder Block Kit				

99-Seal Overhaul Kit



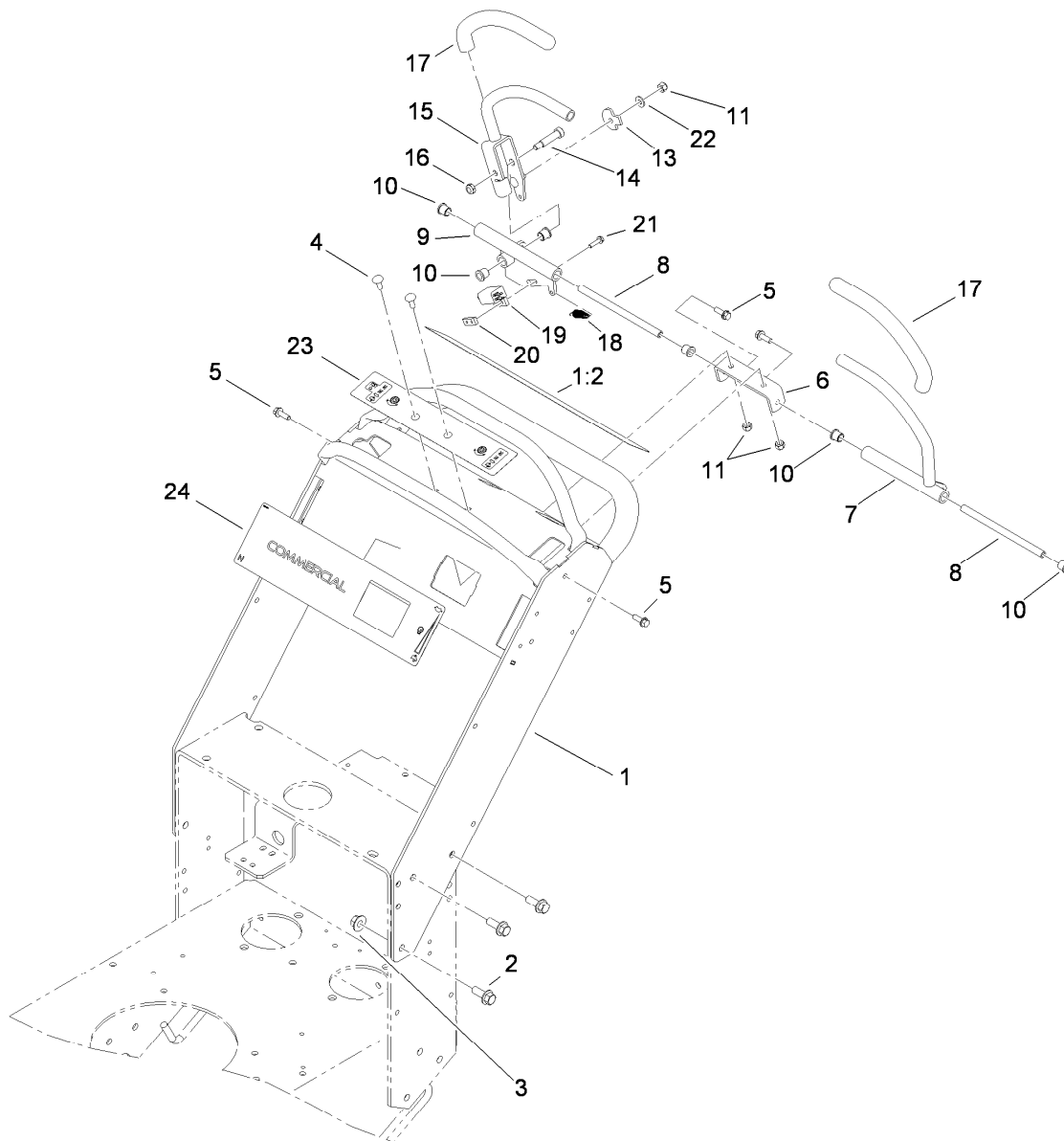
Hydraulic Pump Assembly No. 115-4481

Ref.	Part Number	Qty.	Description	Ref.	Part Number	Qty.	Description
1	115-4464	1	Housing Kit	29	94-1936	1	Spring-Block
2	106-8752	1	End Cap Kit (W/Poppets)	30	94-1937	1	Washer-Thrust, Block
3	106-8753	2	Pin-Headless, Straight	31	105-6185	1	Plate-Valve
4	106-8754	4	Bolt-HF	32	94-1907	1	Swashplate-Variable
5	106-8755	1	O-Ring	34	94-6922	1	Bearing-Thrust
6	106-8756	1	Charge Pump Kit	37	115-4458	1	Arm-Trunnion, Tapered Square
7	104-2122	1	Gerotor ASM	38	94-1910	1	Guide-Slot
8	106-8757	1	O-Ring	42	98-3252	2	Valve-Check (W/Poppet)
10	104-2111	2	Capscrew	44	106-8760	1	Charge Relief Valve Kit
15	106-8759	1	Bypass Valve Kit	49	114-8155	1	Trunnion Seal Kit
18	103-2664	1	Input Shaft Kit	56	106-8762	1	Plug-HSH
19	104-5311	1	Bearing-Ball	66	106-8763	1	Plug-HSH
20	104-5310	1	Seal-Lip	98	115-4459	1	Kit-Return
21	104-5308	1	Spacer	99	105-6184	1	Seal Overhaul Kit
22	104-5309	1	Ring-Retaining				
25	103-2666	1	Cylinder Block Kit				



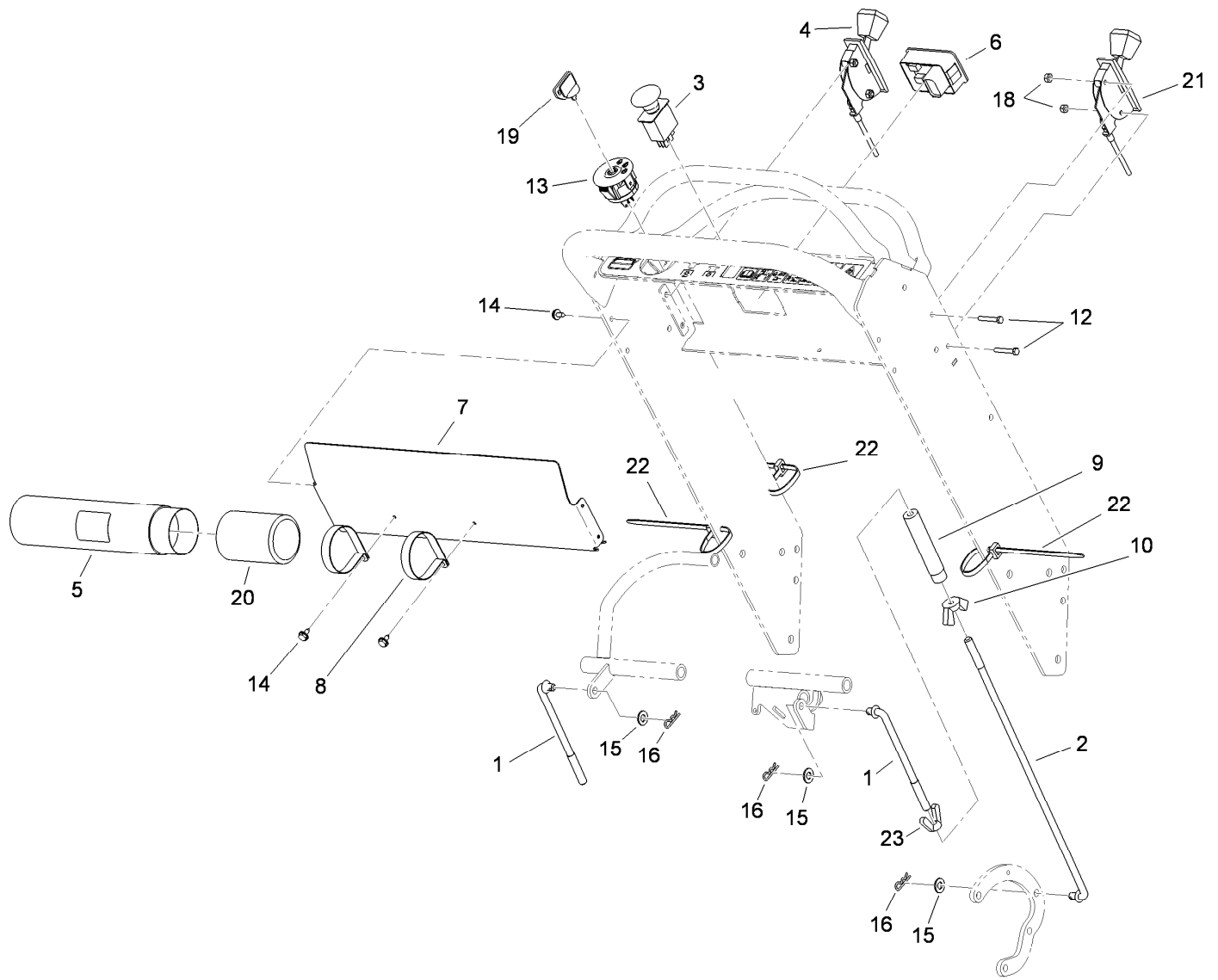
Hydraulic Hose Assembly

<i>Ref.</i>	<i>Part Number</i>	<i>Qty.</i>	<i>Description</i>
1	112-9704	2	HYD Hose ASM
2	114-3430	2	HYD Hose ASM
3	105-5697	1	HYD Hose ASM
4	105-5699	1	HYD Hose ASM
5	114-3434	1	HYD Hose ASM



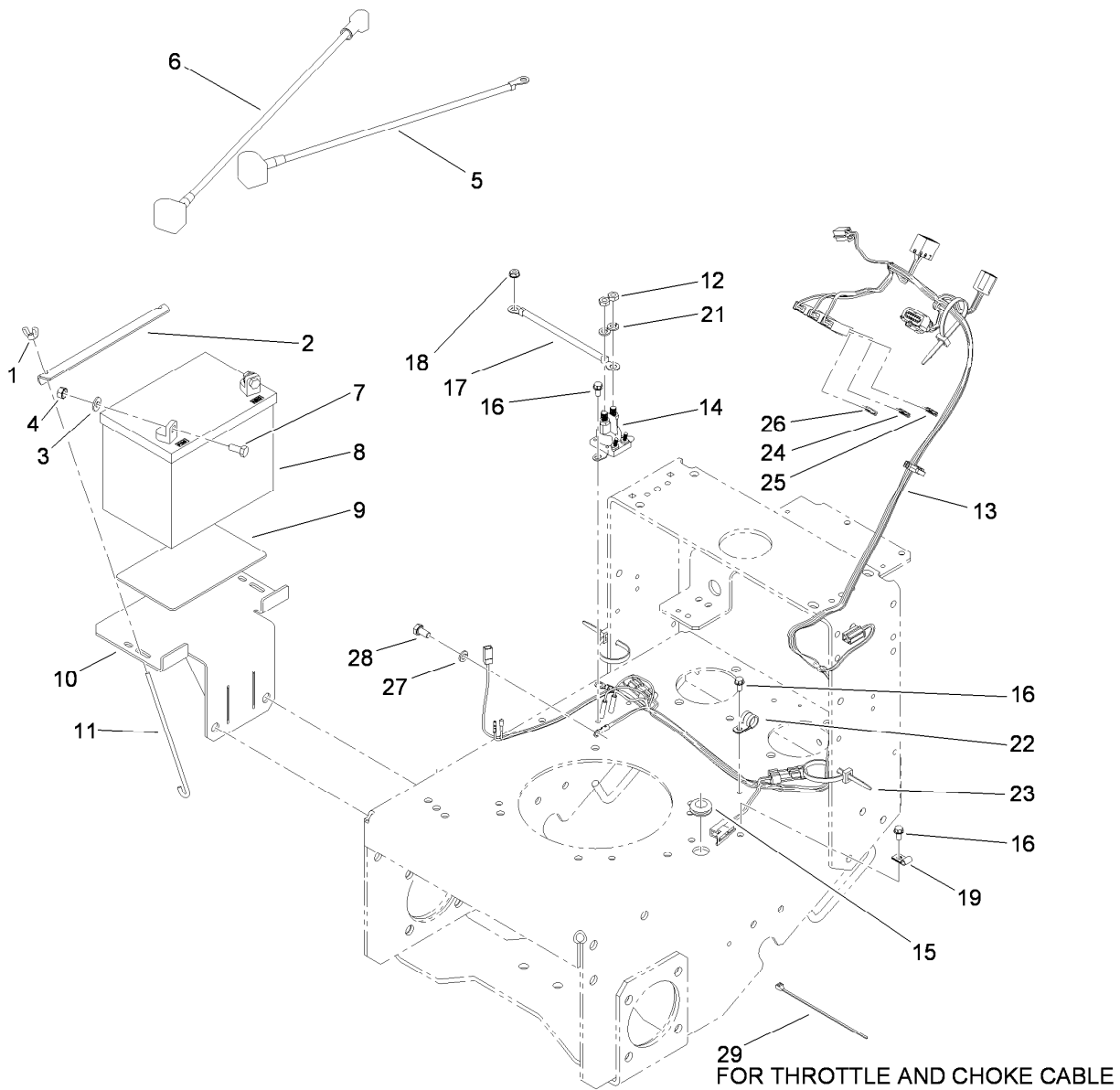
Upper Control Assembly

<i>Ref.</i>	<i>Part Number</i>	<i>Qty.</i>	<i>Description</i>	<i>Ref.</i>	<i>Part Number</i>	<i>Qty.</i>	<i>Description</i>
1	115-4200	1	T-Bar Handle ASM	13	114-0268	1	Cam-Lever
1:2	115-4179	1	Decal-Warning, Control	14	114-0239	1	Screw-HSH
2	3234-42	6	Screw-HHF	15	114-0238-03	1	Lever ASM
3	32128-43	6	Nut-Flange	16	3296-47	1	Nut-Lock, NI
4	3229-1	2	Screw-CARR	17	114-0241	2	Grip-Lever
5	3234-4	4	Screw-HHF	18	114-0249	1	Spring-Extension
6	114-0235	1	Bracket-Support	19	1-513152	1	Switch-Closed, Normally
7	114-0272-03	1	Control Lever ASM	20	1-633181	1	Plate-Tapped
8	119-1885	2	Shaft-Pivot, Motion Control	21	32105-13	2	Screw-HWH
9	114-0234	1	Motion Control ASM	22	3256-22	1	Washer-Flat
10	103-9928	6	Bearing	23	114-3424	1	Decal-Control
11	3296-42	3	Nut-Lock, NI	24	115-4189	1	Decal-Panel, Control



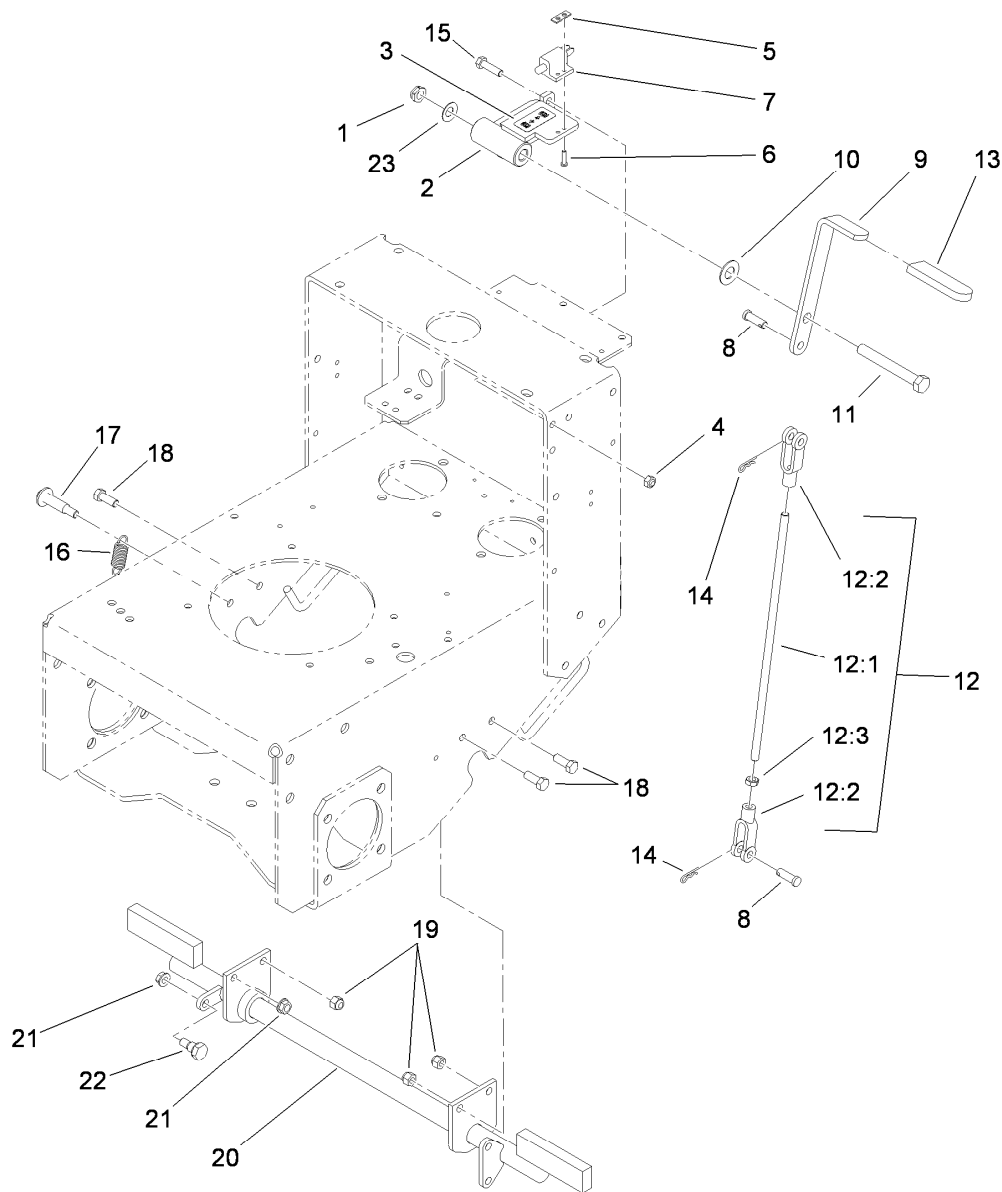
Control Panel Assembly

<i>Ref.</i>	<i>Part Number</i>	<i>Qty.</i>	<i>Description</i>	<i>Ref.</i>	<i>Part Number</i>	<i>Qty.</i>	<i>Description</i>
1	114-0275	2	Rod-Control, Upper	13	116-0050	1	Switch-Ignition
2	114-0276	2	Rod-Control, Lower	14	32104-76	6	Screw
3	114-0279	1	Switch-PTO	15	3256-23	4	Washer-Flat
4	119-6539	1	Cable-Throttle	16	3290-307	4	Pin-Hair
5	104-7050	1	Tube-Manual	18	3296-2	4	Nut-Lock, NI
6	115-4180	1	Module-Meter, Hour	19	63-8360	1	Key-Ignition
7	114-0270-03	1	Cover-Panel, Control	20	104-7048	1	Cap-Housing
8	2412-120	2	R-Clamp	21	110-4995	1	Cable-Choke
9	95-1504	2	Turnbuckle	22	3290-378	3	Tie-Cable
10	32103-3	2	Nut-Wing	23	114-0281	2	Nut-Wing, LH
12	3290-360	4	Screw-HH				



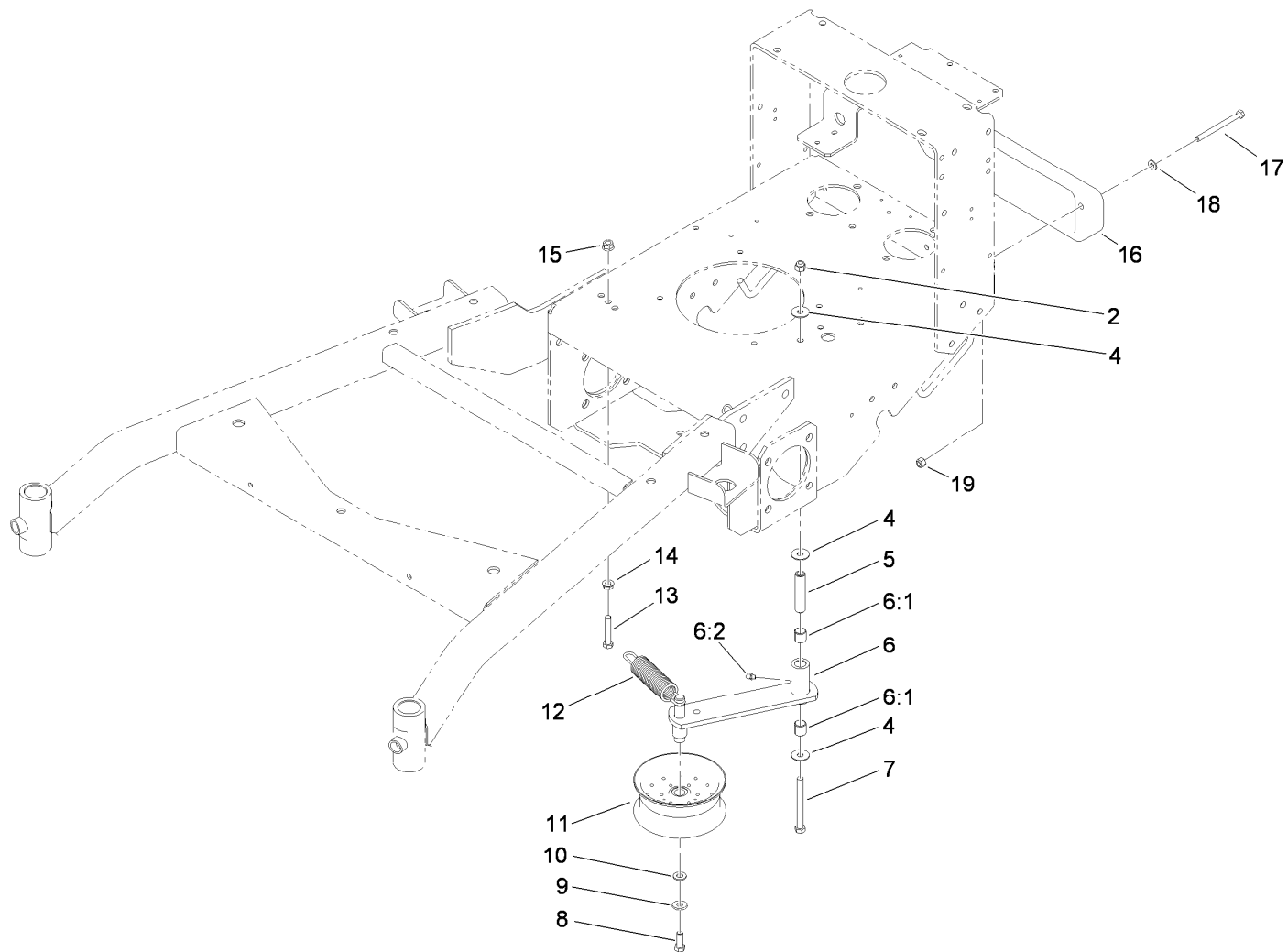
Electrical System Assembly

<i>Ref.</i>	<i>Part Number</i>	<i>Qty.</i>	<i>Description</i>	<i>Ref.</i>	<i>Part Number</i>	<i>Qty.</i>	<i>Description</i>
1	1-543792	2	Wingnut	15	112-7069	1	Grommet
2	103-9944-03	1	Angle-Battery	16	32144-4	4	Screw-HWH
3	3256-2	2	Washer-Flat	17	112-9707	1	Cable-Battery, Pos
4	32149-1	2	Nut-Keps	18	32149-2	1	Nut-Keps
5	112-9709	1	Cable-Battery, Black	19	2412-72	1	Clip-Closed, Insulated
6	112-9708	1	Cable-Battery, Red	21	3253-4	2	Washer-Lock
7	322-3	2	Screw-HH	22	2412-134	1	Clamp-R
8	104-8162	1	Battery	23	3290-378	3	Tie-Cable
9	62-4300	1	Pad-Skid, Anti	24	109102	1	Fuse-Blade, 25 Amp
10	117-5216-01	1	Battery Tray ASM	25	109103	1	Fuse-Blade, 30 Amp
11	1-633651	2	Bolt-Holddown	26	218-578	1	Fuse-Blade, 10 Amp
12	3220-2	2	Nut-Jam	27	3253-4	1	Washer-Lock
13	115-4191	1	Harness-Wire	28	33114-016	1	Screw-HH
14	1-513075	1	Switch-Solenoid	29	1-303287	1	Tie-Cable



Parking Brake Assembly

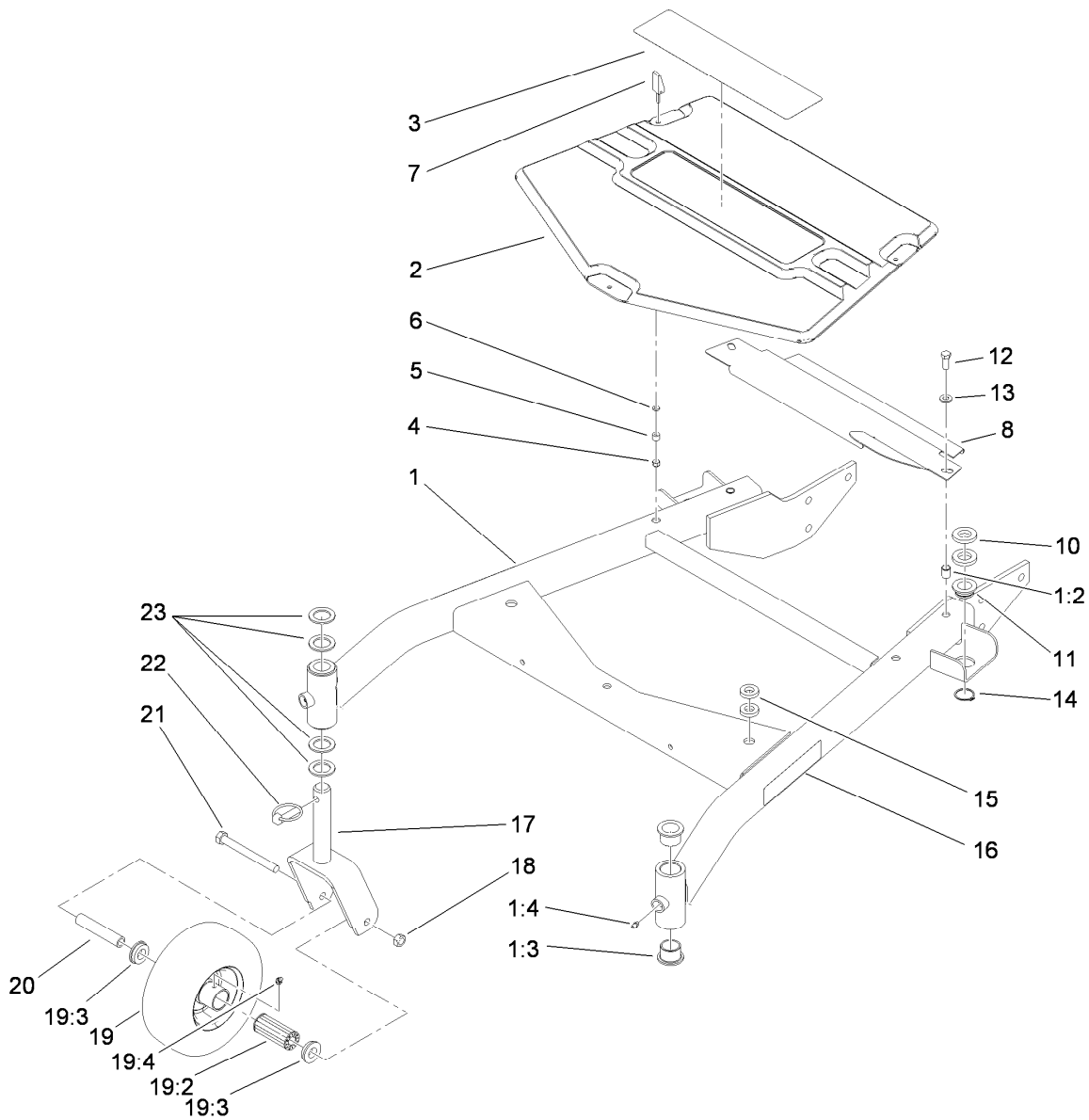
Ref.	Part Number	Qty.	Description	Ref.	Part Number	Qty.	Description
1	3296-45	1	Nut-Lock, NI	12:2	1-633131	2	Yoke-Linkage, Brake
2	112-8716-01	1	Support-Handle	12:3	3219-3	1	Nut-Hex
3	112-8720	1	Decal-Brake	13	1-303020	1	Grip-Lever
4	3296-29	2	Nut-Lock, NI	14	3290-307	2	Pin-Hair
5	1-633181	1	Plate-Tapped	15	322-6	2	Screw-HH
6	32105-13	2	Screw-HWH	16	613386	1	Spring-Brake
7	1-513152	1	Switch-Closed, Normally	17	56-6590	1	Bolt-Wheel
8	1-808285	2	Pin-Clevis	18	323-6	3	Screw-HH
9	106-0671-01	1	Handle-Brake	19	3296-39	3	Nut-Lock, NI
10	257-7	1	Bearing-Thrust	20	110-4976-01	1	Parking Brake ASM
11	325-17	1	Screw-HH	21	3290-357	2	Nut-HHF, Whiz
12	115-1465	1	Brake Rod ASM	22	27-5240	1	Bolt-Shoulder
12:1	108-2747	1	Rod-Brake	23	112-9972	1	Washer-Conical, Spring



Power-Take-Off Idler and Weight Assembly

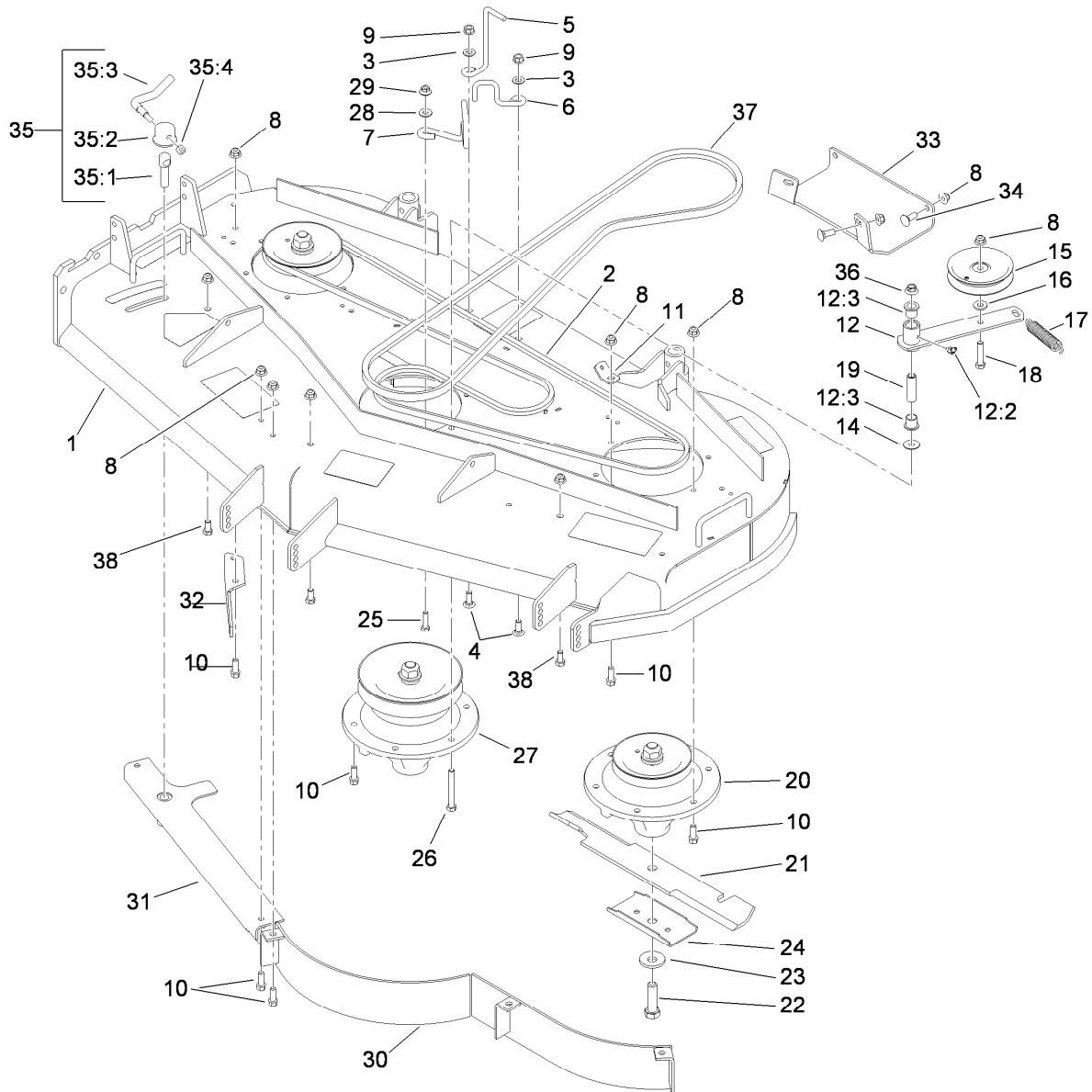
Ref.	Part Number	Qty.	Description
2	3296-39	1	Nut-Lock, NI
4	52-2860	3	Washer
5	104-6377	1	Tube-Idler
6	108-2734	1	Idler Arm ASM
6:1	1-513034	2	Sleeve-Bearing
6:2	302-5	1	Fitting-Grease
7	323-42	1	Screw-HH
8	323-6	1	Screw-HH
9	98-5975	1	Washer-Belleville
10	3256-24	1	Washer-Flat

Ref.	Part Number	Qty.	Description
11	1-413099	1	Pulley-Idler
12	105-8443	1	Spring-Extension
13	323-10	1	Screw-HH
14	3290-357	1	Nut-HHF, Whiz
15	32128-21	1	Nut-HF
16	112-7059-01	1	Weight-Cast
17	322-9	2	Screw-HH
18	3256-23	2	Washer-Flat
19	3296-29	2	Nut-Lock, NI



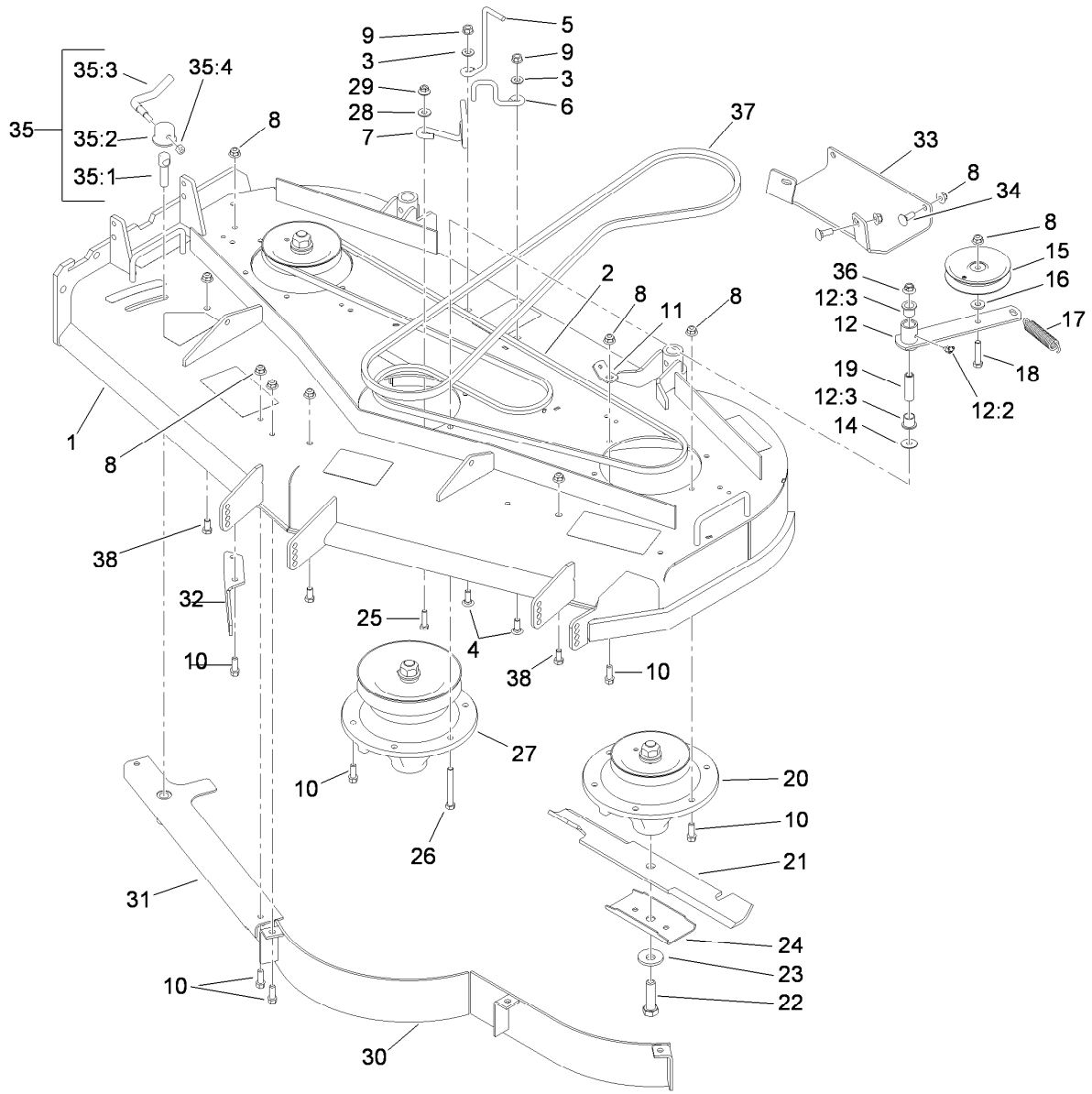
Carrier Frame Assembly

<i>Ref.</i>	<i>Part Number</i>	<i>Qty.</i>	<i>Description</i>	<i>Ref.</i>	<i>Part Number</i>	<i>Qty.</i>	<i>Description</i>
1	108-2665	1	Carrier Frame ASM	13	3256-24	2	Washer-Flat
1:2	32148-9	2	Insert-Nut	14	32120-33	2	Ring-Retaining
1:3	94-1291	4	Bushing	15	1-323539	4	Spacer
1:4	302-5	2	Fitting-Grease	16	106-0635	2	Decal-HOC
2	108-6625	1	Cover-Frame, Carrier	17	105-3159-01	2	Castor Fork ASM
3	112-9713	1	Decal	18	32153-5	2	Nut-Hex
4	1-804254	3	Nut-Lock, HH	19	110-5024	2	Wheel And Tire ASM
5	106-6778	3	Bushing-Latch, Swell	19:2	112-7066	1	Bearing-Roller
6	99-3058	3	Washer	19:3	1-513810	2	Bushing
7	106-6777	3	Handle-Latch, Swell	19:4	302-61	1	Fitting-Grease
8	119-6534-01	1	Shield-Belt	20	100-6453	2	Bushing-Spanner
10	104-1105	4	Spacer-Support, Deck	21	325-19	2	Screw-HH
11	1-513336	2	Bushing-Deck	22	283-71	2	Pin-Lynch
12	323-6	2	Screw-HH	23	3-6781	8	Washer-Thrust



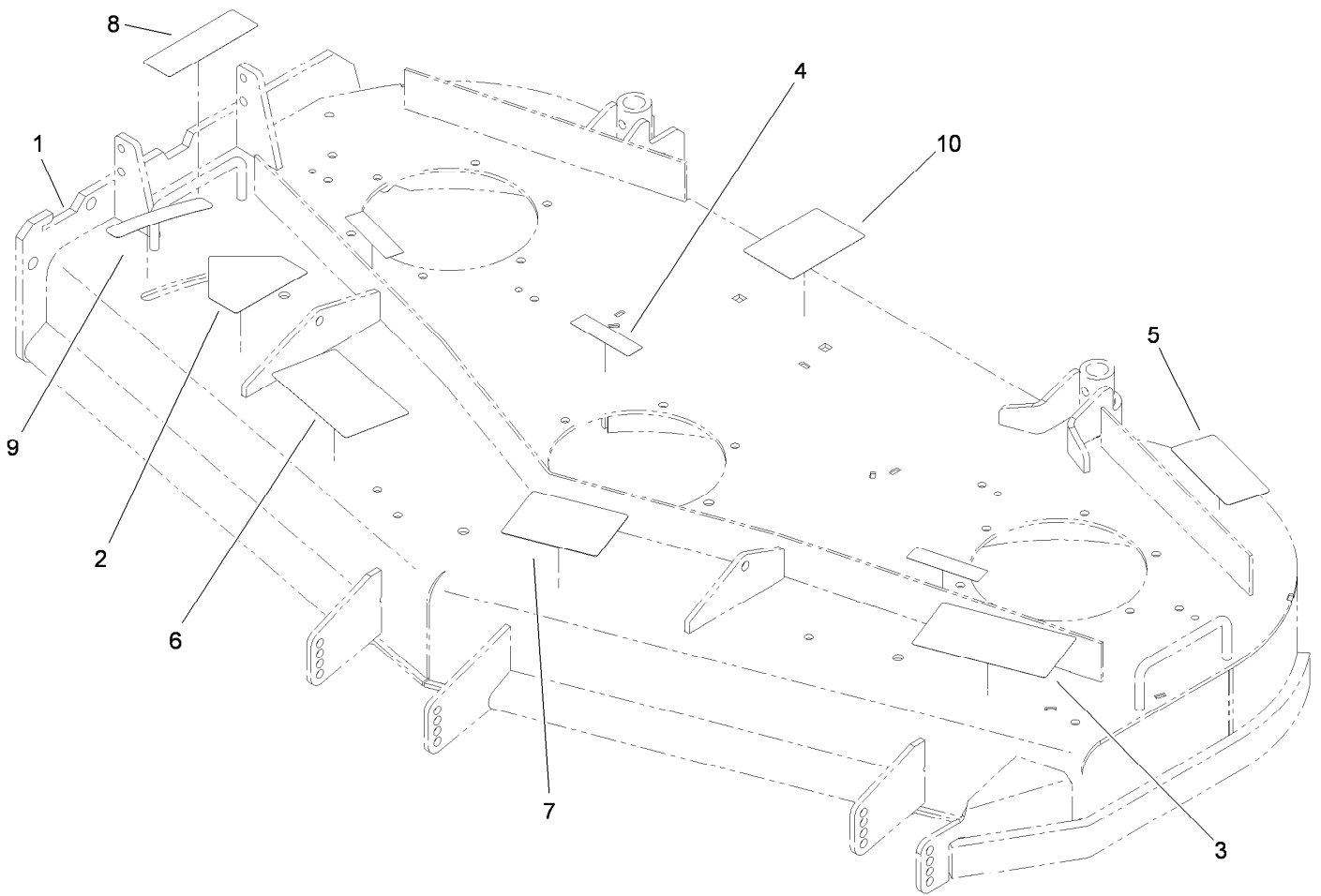
Deck Drive and Baffle Assembly

Ref.	Part Number	Qty.	Description	Ref.	Part Number	Qty.	Description
1	112-7083	1	Deck ASM	21	105-7781-03	3	Blade-18 Inch (Hi Flow)
2	108-2694	1	Belt-V	22	51-4060	3	Screw-Blade
3	3256-24	2	Washer-Flat	23	103-0865	3	Washer-Blade Bolt, Heavy
4	3231-22	2	Screw-CARR	24	108-2727	3	Stiffener-Blade
5	98-5980	1	Guide-Belt	25	322-6	1	Screw-HH
6	110-6975	1	Guide-Belt	26	323-14	1	Screw-HH
7	105-0850	1	Guide-Belt	27	110-0730	1	Spindle ASM
8	104-8301	30	Nut-Flange, NI	28	3256-3	1	Washer-Flat
9	32128-21	2	Nut-HF	29	32128-13	1	Nut-HHF
10	92-1624	22	Screw-HWH	30	110-0740-03	1	Baffle ASM
11	104-6374	1	Plate-Spring	31	110-0745-03	1	Adjustable Baffle ASM
12	108-2728	1	Idler Arm ASM	32	110-0754-01	1	Baffle-Discharge
12:2	302-11	1	Fitting-Lube, 45 DEG	33	106-7358-01	1	Plate-Skid
12:3	256-90	2	Bushing-Flange	34	3231-2	4	Screw-CARR
14	52-2860	1	Washer	35	107-1664	1	Lever ASM
15	93-1622	1	Pulley-Idler	35:1	106-3239	1	Screw-Lock
16	9202414	1	Washer-Spacer	35:2	107-1644	1	Cap-Lock
17	51-3650	1	Spring-Extension	35:3	106-3241	1	Lever-Lock
18	323-9	1	Screw-HH	35:4	3296-29	1	Nut-Lock, NI
19	112-7091	1	Spacer	36	32128-19	1	Nut-HF
20	110-0728	2	Spindle ASM				



Deck Drive and Baffle Assembly (continued)

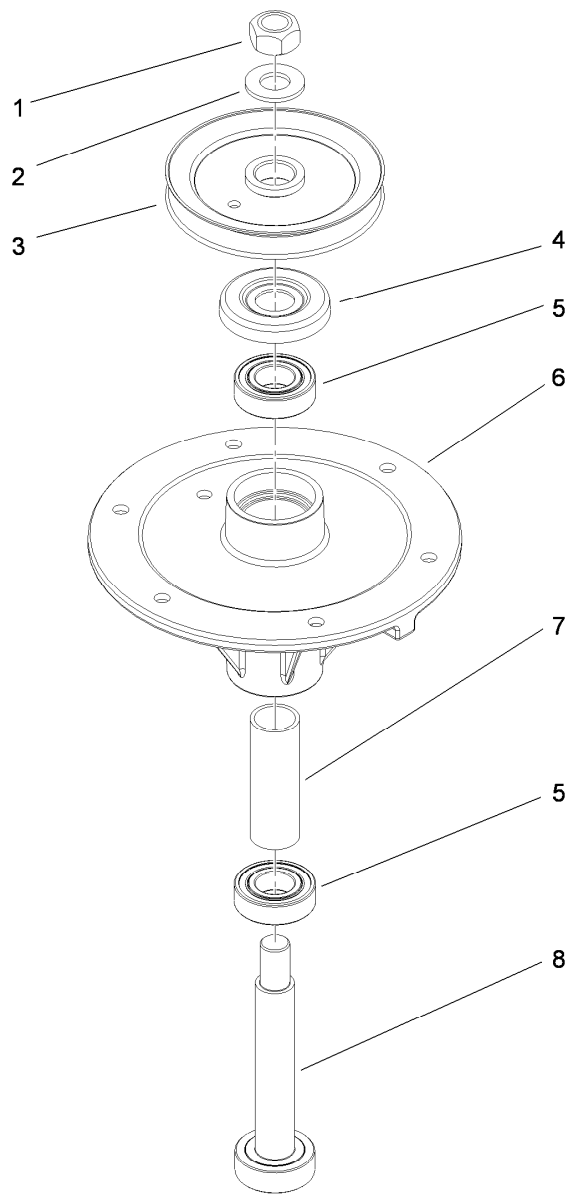
<i>Ref.</i>	<i>Part Number</i>	<i>Qty.</i>	<i>Description</i>
37	108-2693	1	Belt-V
38	323-4	3	Screw-HH



Deck Decal Assembly No. 112-7083

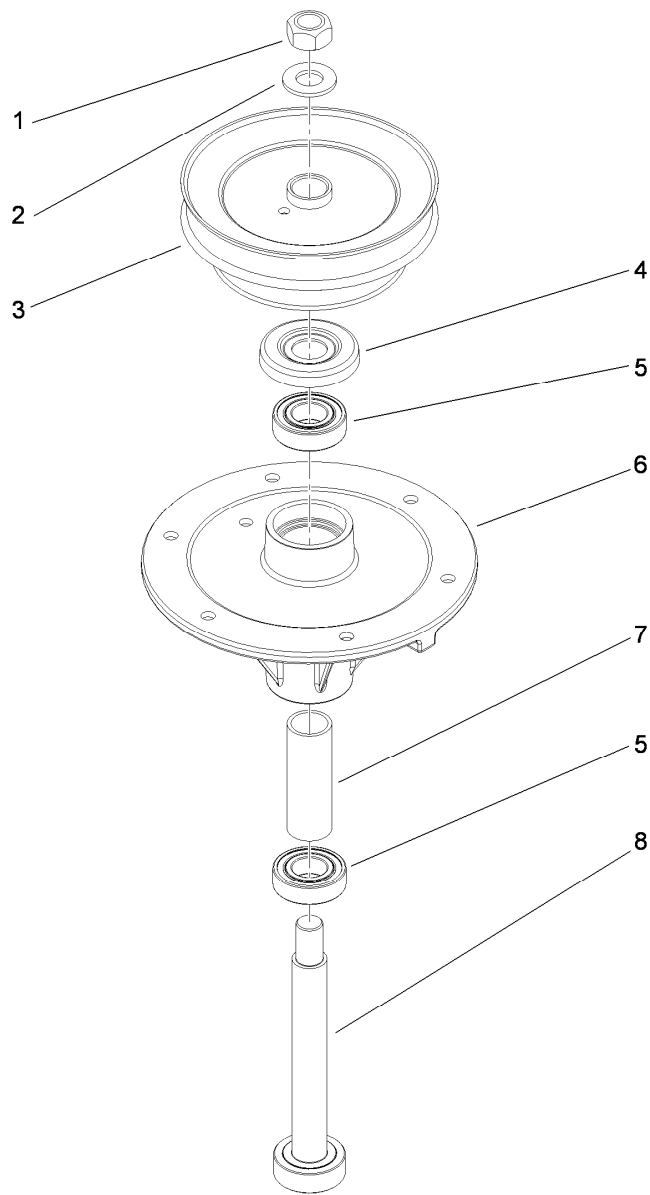
<i>Ref.</i>	<i>Part Number</i>	<i>Qty.</i>	<i>Description</i>
1		1	52 Inch Deck ASM ●
2	43-8480	1	Decal-Danger
3	66-1340	1	Decal-Danger, Thrown Object
4	98-5954	3	Decal-Cover, Missing
5	68-8340	1	Decal-Torque
6	110-2068	1	Decal-Adjustment, Baffle
7	105-7798	1	Decal-Scalp, Anti
8	104-8569	1	Decal-Warning
9	110-2067	1	Decal-Setting, Baffle
10	104-8186	1	Decal-Routing, Belt

● Not serviced separately



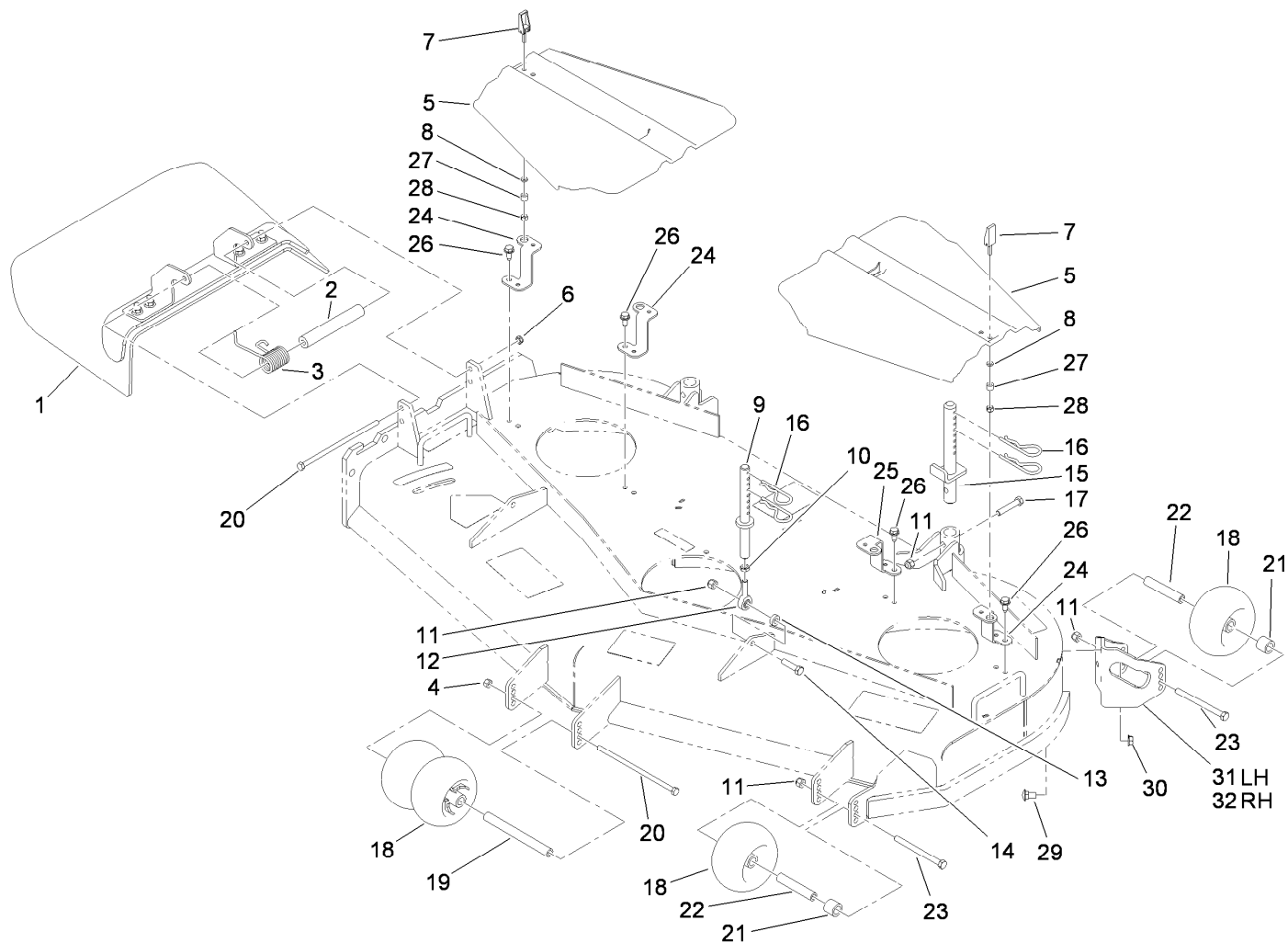
Spindle Assembly No. 110-0728

<i>Ref.</i>	<i>Part Number</i>	<i>Qty.</i>	<i>Description</i>
1	3219-7	1	Nut-Hex
2	7-4150	1	Washer
3	104-1181	1	Pulley ASM
4	106-0873	1	Shield-Bearing
5	116-0720	2	Bearing-Ball, 25Mm
6	108-6696	1	Housing-Spindle
7	110-0727	1	Spacer-Bearing
8	110-0726	1	Shaft-Spindle



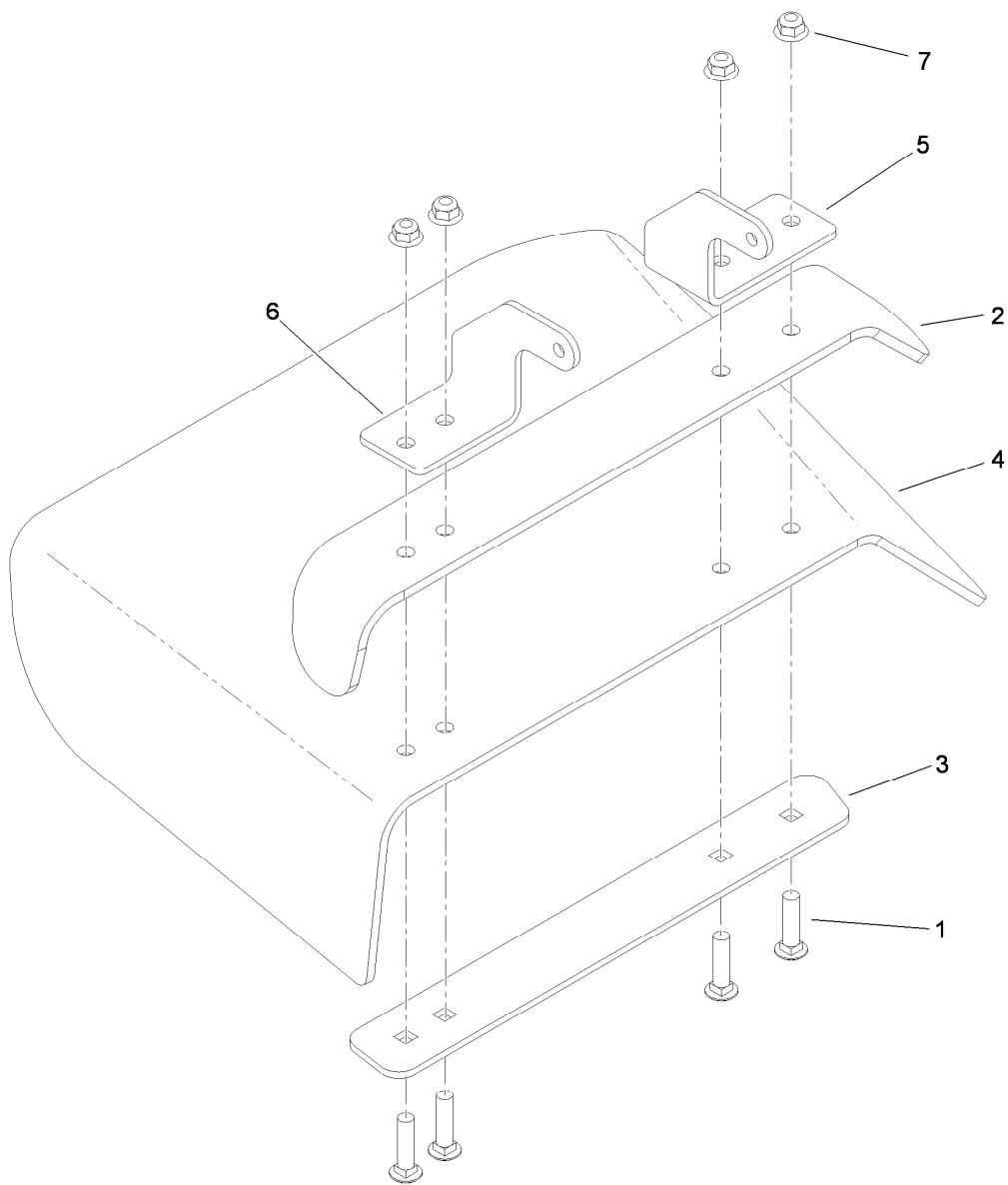
Spindle Assembly No. 110-0730

<i>Ref.</i>	<i>Part Number</i>	<i>Qty.</i>	<i>Description</i>
1	3219-7	1	Nut-Hex
2	7-4150	1	Washer
3	108-6627	1	Pulley And Hub ASM
4	106-0873	1	Shield-Bearing
5	116-0720	2	Bearing-Ball, 25Mm
6	108-6696	1	Housing-Spindle
7	110-0727	1	Spacer-Bearing
8	110-0725	1	Shaft-Spindle



Deck Assembly

Ref.	Part Number	Qty.	Description	Ref.	Part Number	Qty.	Description
1	110-0758	1	Deflector ASM	17	323-10	2	Screw-HH
2	105-4622	1	Spacer	18	1-603299	5	Roller-Scalp, Anti
3	104-8554	1	Spring-Torsion	19	98-5967	1	Spacer-Wheel
4	3296-29	1	Nut-Lock, NI	20	322-50	2	Screw-HH
5	107-8536	2	Cover-Belt	21	98-7913	3	Tube-Spacer
6	3296-47	1	Nut-Lock, NI	22	98-7912	3	Tube-Spanner
7	106-6777	2	Handle-Latch, Swell	23	323-23	3	Screw-HH
8	99-3058	2	Washer	24	108-2698-01	3	Bracket-Cover
9	108-2674	2	Front Pin ASM	25	108-2699-01	1	Bracket-Cover
10	3220-3	2	Nut-HJ	26	32144-70	4	Screw-HWHTF
11	3296-39	7	Nut-Lock, NI	27	106-6778	2	Bushing-Latch, Swell
12	1-613204	2	Balljoint	28	1-804254	2	Nut-Lock, HH
13	104-1156	2	Spacer	29	3231-1	6	Screw-CARR
14	323-8	2	Screw-HH	30	32128-21	6	Nut-HF
15	110-2086	2	Rear Pin ASM	31	110-0736-01	1	Bracket-Roller, LH
16	3290-256	6	Pin-Hair	32	110-0737-01	1	Bracket-Roller, RH



Deflector Assembly No. 110-0758

<i>Ref.</i>	<i>Part Number</i>	<i>Qty.</i>	<i>Description</i>
1	3231-4	4	Screw-CARR
2	106-3246-01	1	Deflector
3	106-3248-03	1	Strap-Discharge
4	110-0759	1	Deflector-Rubber
5	107-4197-01	1	Bracket-Hinge, Rear
6	107-4196-01	1	Bracket-Hinge, Front
7	104-8301	4	Nut-Flange, NI

Attachments and Accessories

For 30489 Commercial Walk-Behind Mower Floating Deck, Split Lever, Hydro Drive with 52in TURBO FORCE Cutting Unit

Product Name	Model/Part
Blade-Recycler, 18 inch	105-7779-03
Blade-Med Flow, 18 inch.....	105-7794-03
Blade-Low Flow, 18 inch	105-7795-03
Blade-Atomic, 18 inch	105-7796-03
Turbo Baffle Kit	107-1634
Blade-Hi Flow, 18 inch (6 Pack)	108-1117
Blade-Atomic, 18 inch (6 Pack).....	108-1118
Blade-Lo Flow, 18 inch (6 Pack)	110-0406
Blade-Recycler, 18 inch (6 Pack).....	110-0408
Blade-Med Flow, 18 inch (6 Pack)	110-0409
52 inch Recycler Kit	110-2040
Weight-Cast.....	112-7059-01
Weight Kit	112-9971
Soft Bag (3 Bushel).....	30104
Tru Trak Sulky.....	30110

Notes:

Notes:



Count on it.