



Count on it.

Parts Catalog

**Commercial Walk-Behind Mower
15HP T-Bar Gear Drive with 91cm TURBO
FORCE® Cutting Unit**

Model No. 30031—Serial No. 310000001 and Up

Ordering Replacement Parts

To order replacement parts, please supply the part number, the quantity, and the description of each part desired.

Understanding Reference Numbers

Each identified part in an illustration has a reference number. The reference number for a part also appears in the parts list, along with other information about the part.

This catalog uses two special reference number formats, one to indicate parts in a service assembly and another to indicate the quantity of a given part in an illustration.

Service Assembly Reference Numbers

Parts in service assemblies have reference numbers in the form a:b. The a represents the reference number of the entire service assembly and the b represents a sequential number unique to each part within the service assembly.

For example, a wheel assembly might be identified by reference number 6, the tire by 6:1, the valve by 6:2, and the wheel by 6:3. When you order the assembly identified by reference number 6, you receive all parts identified by reference numbers 6:1, 6:2, and 6:3. However, you may also order any part individually. Reference numbers of this type appear in illustration and in parts lists.

Reference Numbers Indicating Quantity

In an illustration, if a reference number indicates more than one part, the reference number has the form nX y. The n represents the quantity of the part, the X is the multiplication symbol, and the y represents the reference number.

For example, in an illustration, the reference number 2X 37 means that two of the parts identified by reference number 37 are indicated.

List of Abbreviations

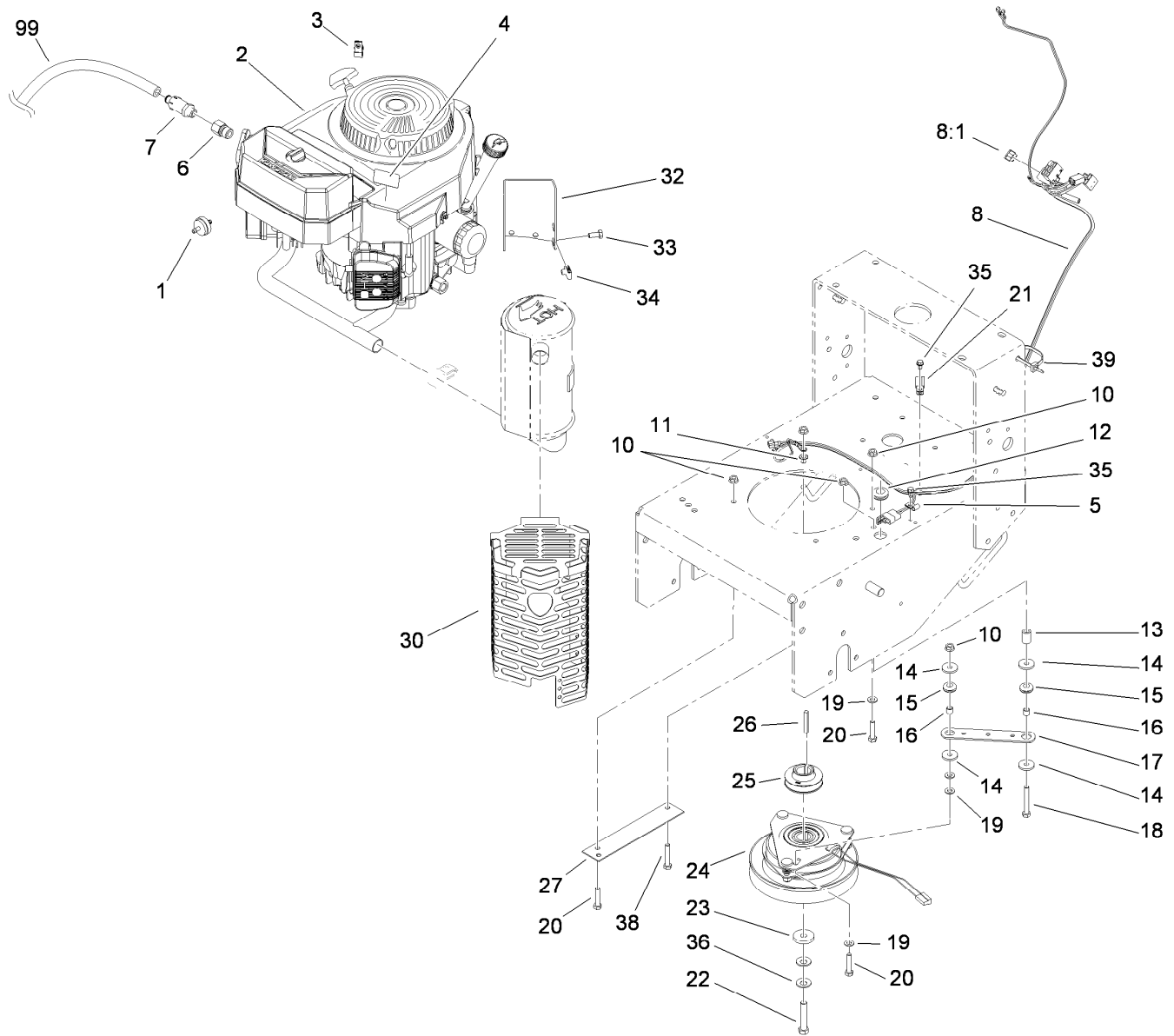
AR: as required
ASM: assembly
BBC: blade brake clutch
CARR: carriage
CCW: counter clock wise
CW: clockwise
DEG: degrees
ECM: electronic control module
EXT: external
FH: flat head
GA: gauge
HD: heavy-duty
HF: hex flange
HH: hex head
HHF: hex head flange
HHFTF: hex head flange thread forming
HJ: hex jam
HLH: hex lag head
HOC: height-of-cut

HSBH: hex socket button head
HSFH: hex socket flat head
HSH: hex socket head
HWH: hex washer head
HWHTF: hex washer head thread forming
HYD: hydraulic
LH: left hand
NI: nylon insert
NPTF: national pipe thread fine
PFH: phillips flat head
PPH: phillips pan head
PPHTF: phillips pan head thread forming
PRH: phillips round head
PTH: phillips truss head
PTO: power-take-off
RH: right hand
ROPS: roll-over protection system
RRB: rear roller brush

SFH: slotted fillister head
SHH: slotted hex head
SHWH: slotted hex washer head
SPH: slotted pan head
SQH: square head
SRH: slotted round head
STD: standard
TAP: self tapping
TTH: torx truss head

Contents

Engine and Clutch Assembly	4
Power-Take-Off Idler Assembly	5
Fuel System Assembly	6
Lower Control Assembly	7
Transmission Drive Assembly	8
Wheel Drive and Brake Assembly	9
Upper Handle Assembly	10
Control Panel Assembly	11
Carrier Frame Assembly	12
Deck Drive and Baffle Assembly	13
Deck Assembly No. 115-4230	14
Spindle Assembly No. 110-6950	15
Spindle Assembly No. 110-0728	16
Deck Deflector, Roller and Cover Assembly	17
Deflector Assembly No. 110-0790	18
Attachments and Accessories	19



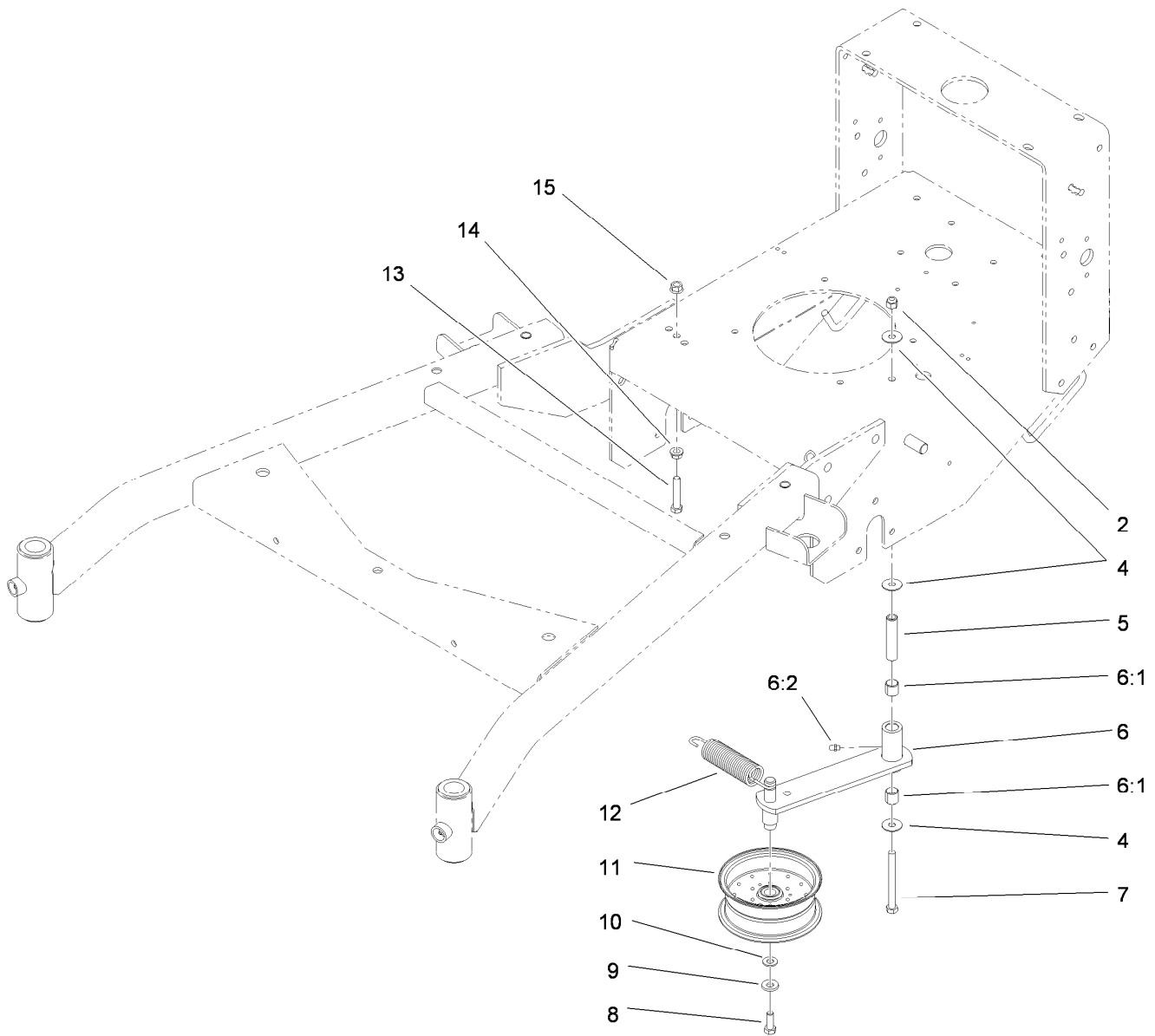
Engine and Clutch Assembly

Ref.	Part Number	Qty.	Description
1	56-6360	1	Filter-Fuel
2		1	Engine-Kawasaki, FH430V-As53 ●■
3	2412-87	1	Clamp-Cable
4	106-5517	1	Decal-Surface, Hot
5	2412-72	1	Clip-Closed, Insulated
6	103-1966	1	Adapter
7	92-6877	1	Valve-Drain, Oil
8	119-6508	1	Harness-Wire
8:1	114241	1	Fuse-7.5 Amp
10	32128-20	6	Nut-HF
11	3255-8	1	Washer-Lock
12	112-7069	1	Grommet
13	104-6373	1	Tube-Retainer
14	1-613235	4	Washer
15	1-633630	2	Grommet-Brake
16	1-633545	2	Spacer
17	1-633543-03	1	Strap-Clutch, Brake
18	322-11	1	Screw-HH

Ref.	Part Number	Qty.	Description
19	3256-23	5	Washer-Flat
20	322-7	4	Screw-HH
21	2412-134	1	Clamp-R
22	3212-9	1	Screw-HH
23	107-4136	1	Washer
24	105-2635	1	Clutch / Brake ASM
25	107-4112	1	Pulley-Drive
26	608006	1	Key-Square
27	94-5847-01	1	Cover-Pulley
30	115-4150-03	1	Muffer Shield ASM
32	115-4154-03	1	Bracket-Muffer
33	322-3	4	Screw-HH
34	94-2413	4	U-Nut
35	12-3270	2	Screw
36	1-603610	2	Washer-Spring
38	322-9	1	Screw-HH
39	3290-378	1	Tie-Cable
99	103-1964	1	Hose-Drain, Oil

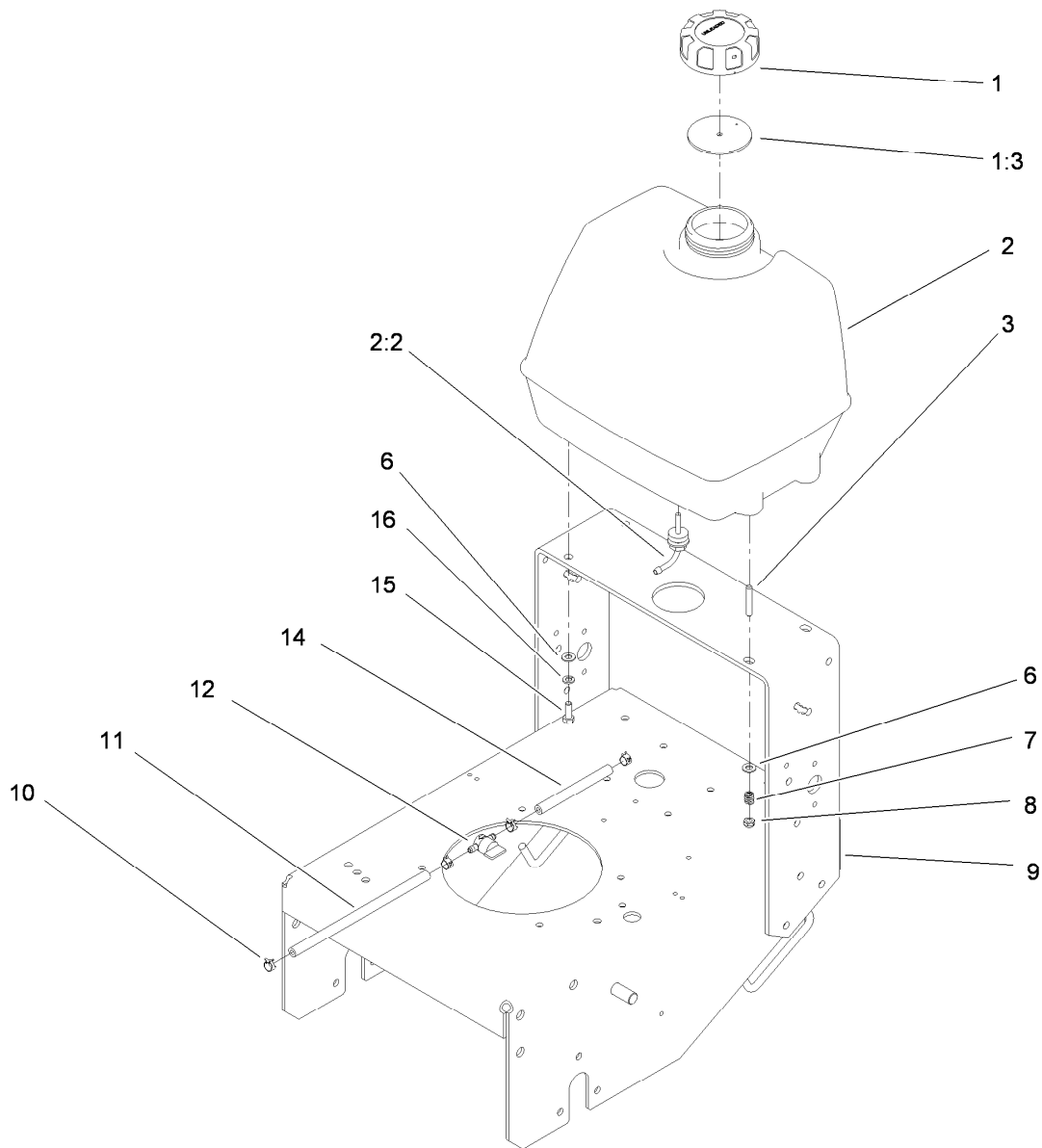
● Not serviced separately

■ Obtain parts from www.kawpowerepc.com



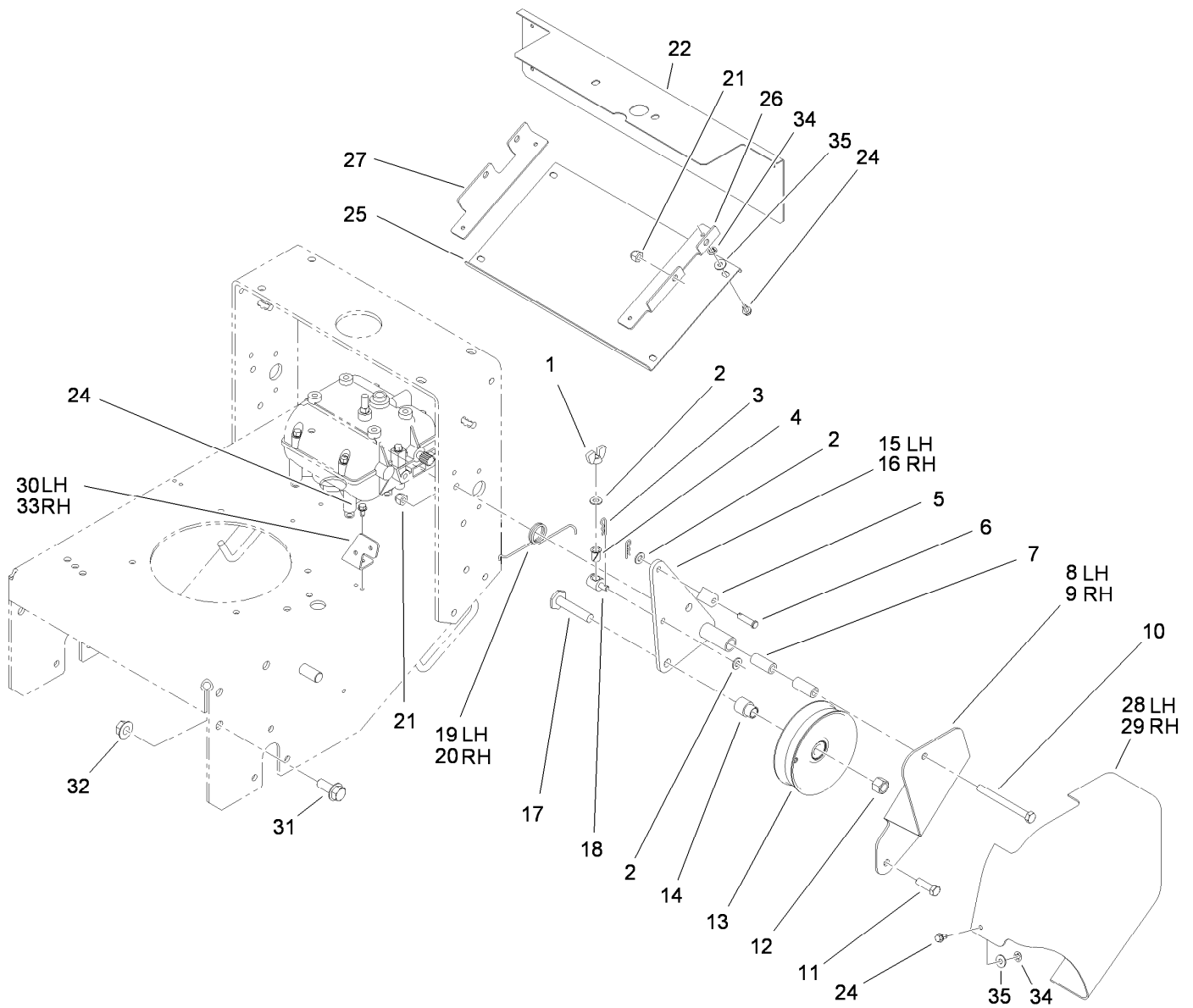
Power-Take-Off Idler Assembly

Ref.	Part Number	Qty.	Description
2	3296-39	1	Nut-Lock, NI
4	52-2860	3	Washer
5	104-6377	1	Tube-Idler
6	112-7055	1	Idler Arm ASM
6:1	1-513034	2	Sleeve-Bearing
6:2	302-5	1	Fitting-Grease
7	323-42	1	Screw-HH
8	323-6	1	Screw-HH
9	98-5975	1	Washer-Belleville
10	3256-24	1	Washer-Flat
11	1-413099	1	Pulley-Idler
12	105-8443	1	Spring-Extension
13	323-10	1	Screw-HH
14	3290-357	1	Nut-HHF, Whiz
15	32128-21	1	Nut-HF



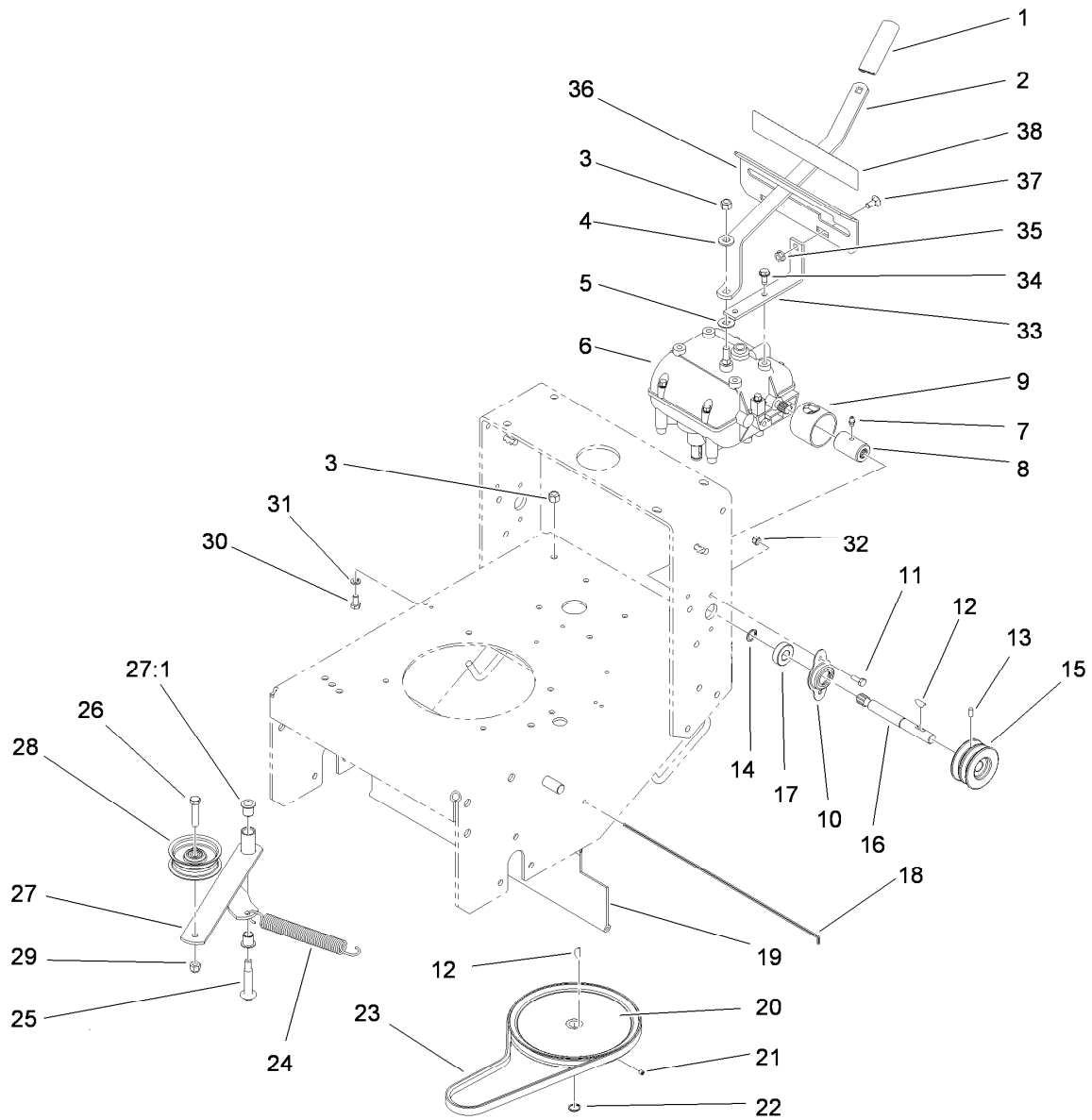
Fuel System Assembly

<i>Ref.</i>	<i>Part Number</i>	<i>Qty.</i>	<i>Description</i>
1	88-3980	1	Gas Cap ASM
1:3	88-4010	1	Gasket-Cap, Gas
2	106-0730	1	Fuel Tank ASM
2:2	103-2605	1	Fitting-Fuel, Bulkhead
3	104-8121	2	Stud-Threaded
6	3256-23	4	Washer-Flat
7	1-633349	2	Spring-Tank, Fuel
8	3296-47	2	Nut-Lock, NI
9	110-4985-01	1	Gear Frame ASM
10	2412-98	4	Clamp
11	110-4894	1	Hose-Fuel
12	1-603770	1	Valve-Fuel
14	107-0588	1	Hose-Fuel
15	322-4	2	Screw-HH
16	3253-4	2	Washer-Lock



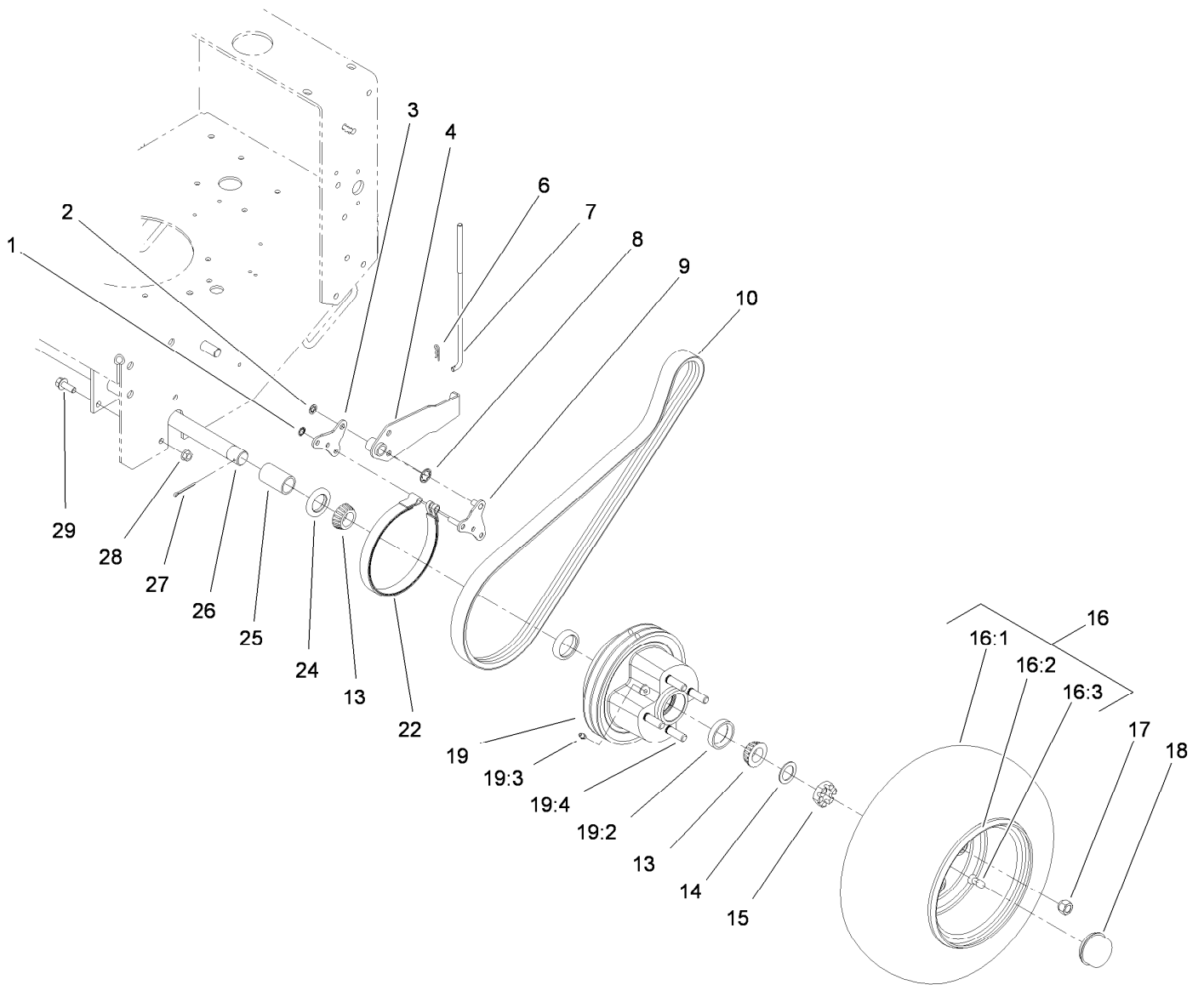
Lower Control Assembly

<i>Ref.</i>	<i>Part Number</i>	<i>Qty.</i>	<i>Description</i>	<i>Ref.</i>	<i>Part Number</i>	<i>Qty.</i>	<i>Description</i>
1	32103-25	2	Nut-Wing	18	68-9690	2	Fitting-Rod
2	3256-23	6	Washer-Flat	19	51-4380	1	Spring-Torsion, LH
3	3290-307	4	Pin-Hair	20	51-4370	1	Spring-Torsion, RH
4	52-2890	2	Bushing-Nylon	21	3296-39	6	Nut-Lock, NI
5	74-0521	2	Fitting-Rod	22	104-8158-03	1	Guard-Shaft, Transmission
6	283-6	2	Pin-Clevis	24	12-3270	14	Screw
7	74-0040	4	Spacer-Pivot, Idler	25	110-5014-01	1	Panel-Bottom
8	108-2725-01	1	Support-Idler, LH	26	110-5012-01	1	Angle-Mounting, Left
9	108-2724-01	1	Support-Idler, RH	27	110-5013-01	1	Angle-Mounting, Right
10	323-16	2	Screw-HH	28	119-6509	1	Guard-Belt, LH
11	323-7	4	Screw-HH	29	119-6510	1	Guard-Belt, RH
12	3296-23	2	Nut-Lock, NI	30	107-4078-01	1	Bracket-Mounting, LH
13	95-2800	2	Pulley-Idler	31	3234-32	6	Screw-HHF
14	95-2801	2	Spacer-Pulley	32	32128-23	6	Nut-HF
15	108-2740-01	1	LH Idler Arm ASM	33	107-4079-01	1	Bracket-Mounting, RH
16	108-2741-01	1	RH Idler Arm ASM	34	106-8737	8	Nut-Retainer
17	51-4450	2	Screw-Leveler	35	3256-1	8	Washer-Flat



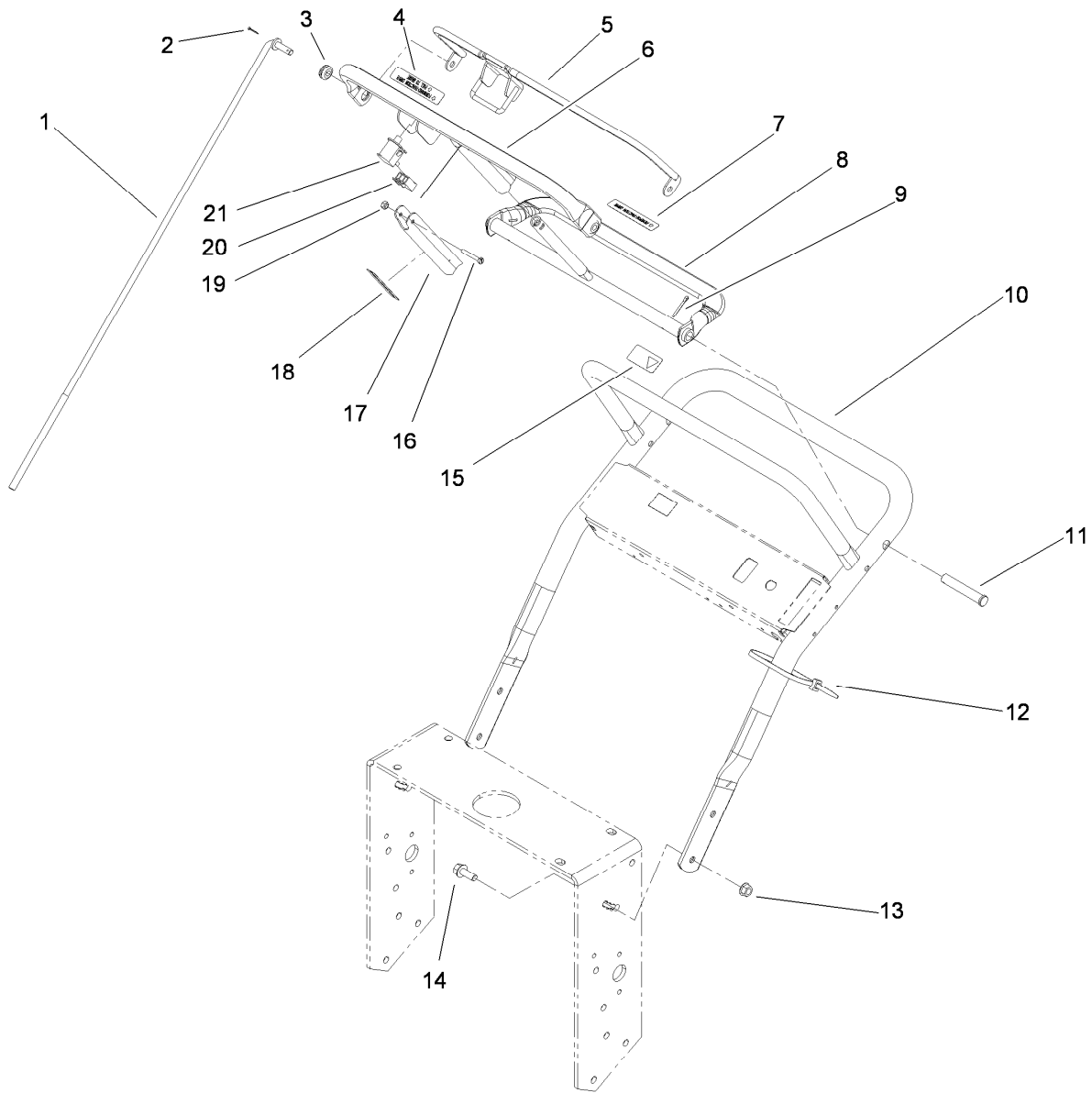
Transmission Drive Assembly

Ref.	Part Number	Qty.	Description	Ref.	Part Number	Qty.	Description
1	47-1970	1	Grip	21	3245-1	1	Screw-Set, HSH
2	98-3274-03	1	Lever-Shift	22	32120-64	1	Ring-Snap, External
3	3296-6	2	Nut-Lock	23	105-5668	1	V-Belt
4	98-5975	1	Washer-Belleville	24	80-6610	1	Spring-Extension
5	1-323379	1	Washer	25	27-6230	1	Bolt-Wheel
6	1-323500	1	Transmission	26	323-9	1	Screw-HH
7	302-5	2	Fitting-Grease	27	16-7509	1	Lever-Idler
8	1-323680	2	Coupler	27:1	256-155	2	Bushing-Flange
9	51-4220	2	Guard-Coupler	28	62-4540	1	Pulley
10	1-323254	2	Flange-Output	29	3296-39	1	Nut-Lock, NI
11	321-4	4	Screw-HH	30	322-2	4	Screw-HH
12	3257-5	3	Key-Woodruff	31	3253-4	4	Washer-Lock
13	3245-9	2	Screw-Set	32	3296-42	4	Nut-Lock, NI
14	32151-62	2	Ring-Retaining	33	1-323389-03	2	Bracket-Plate, Shift
15	105-2698	2	Pulley-Transmission	34	9264964	4	Screw-HWH, Thread Cut
16	104-1102	2	Shaft-Output	35	32128-20	2	Nut-HF
17	1-323252	2	Bearing-Shaft	36	1-323387-03	1	Plate-Shift
18	95-1529	1	Rod-Shield	37	3230-1	2	Bolt-CARR
19	95-1526	1	Shield-Trailing	38	98-3264	1	Decal-Ground Speed
20	105-5646	1	Pulley-Driven				



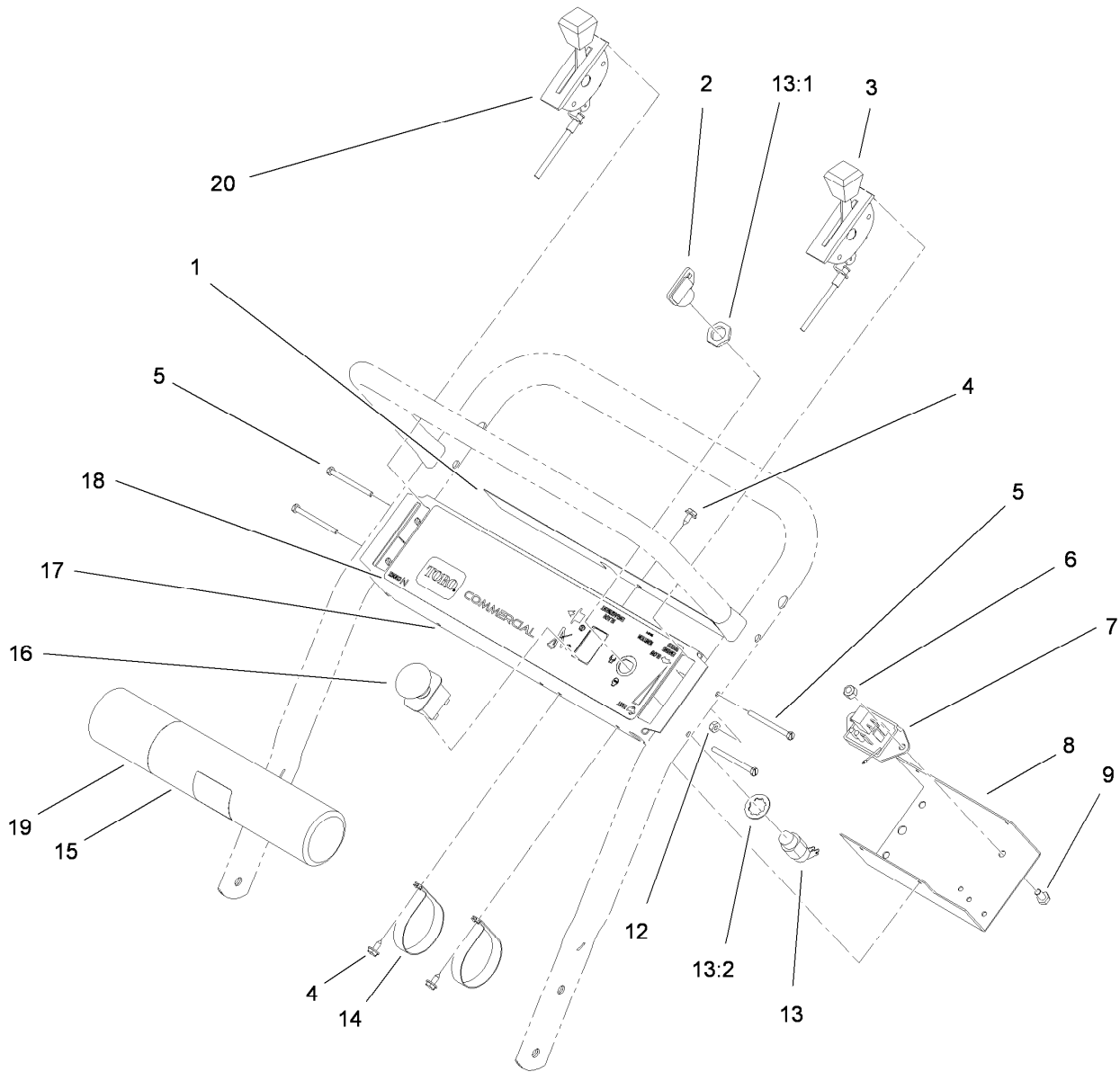
Wheel Drive and Brake Assembly

Ref.	Part Number	Qty.	Description	Ref.	Part Number	Qty.	Description
1	32151-72	4	Ring-Retaining	16:3	232-27	1	Stem-Valve
2	32151-56	2	Ring-Retaining, External	17	242-50	8	Nut-Lug
3	106-8792	2	Plate-Link, Brake	18	241-119	2	Cap-Dust
4	110-5010-01	2	Brake Arm ASM	19	107-4090	2	Wheel Hub ASM
6	3290-307	2	Pin-Hair	19:2	1-543508	2	Cup-Bearing
7	108-2730	2	Rod-Brake	19:3	302-5	1	Fitting-Grease
8	32151-40	2	Ring-Retaining	19:4	10-6830	4	Stud-Type, Drive
9	106-8773	2	Brake Link ASM	22	1-323262	2	Band-Brake
10	110-5004	2	Belt-V, Banded	24	1-543511	2	Seal-Grease
13	1-543509	4	Bearing-Roller, Tapered	25	110-5006	2	Spacer-Wheel
14	1-523157	2	Washer-Spacer	26	110-4983-01	1	Axle ASM
15	1-809082	2	Nut-SHH	27	1-806800	2	Pin-Cotter
16	106-0892	2	Wheel And Tire ASM	28	32128-21	6	Nut-HF
16:1	104-6322	1	Tire	29	3234-11	6	Screw-HHF
16:2	106-0893	1	Wheel				



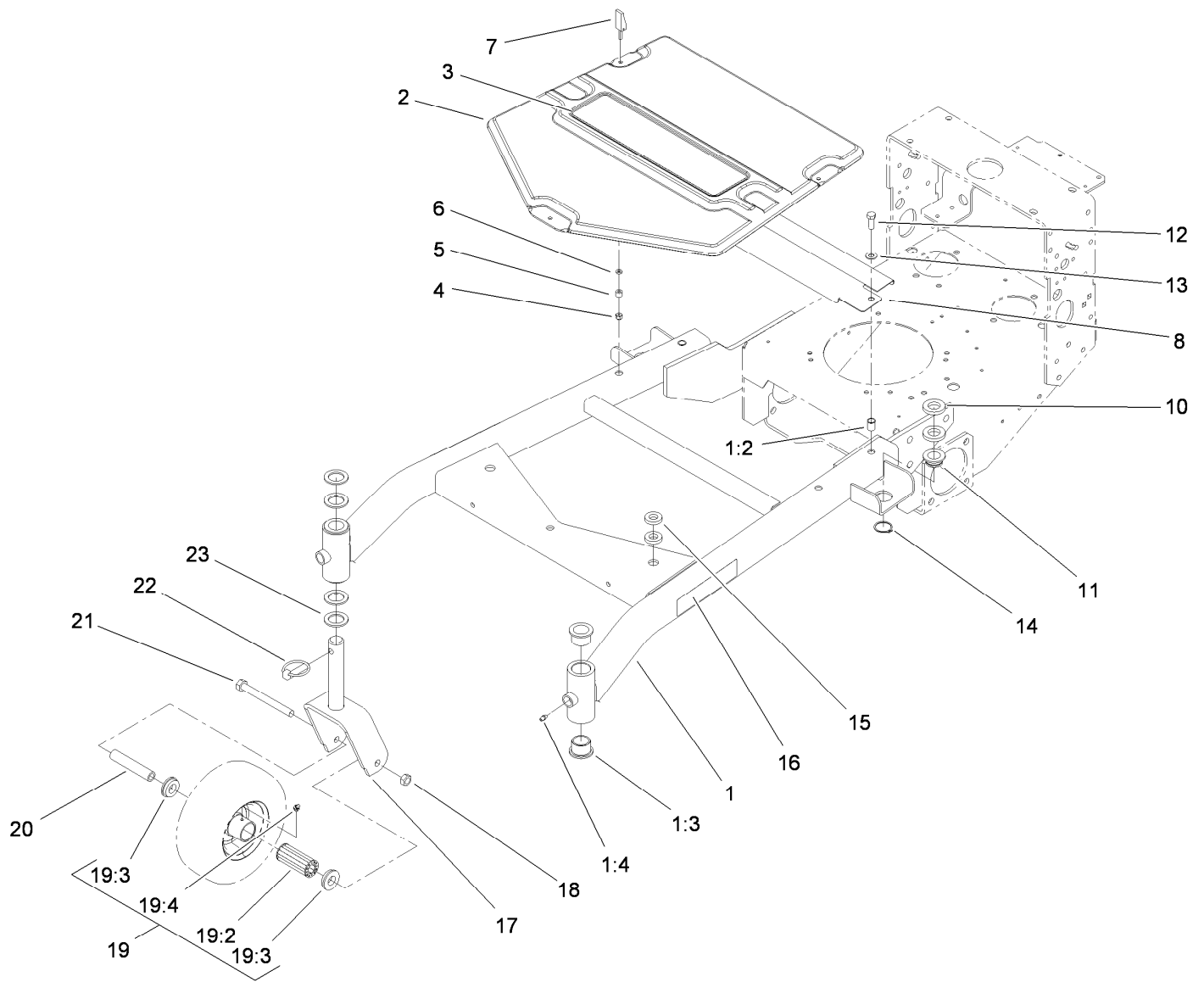
Upper Handle Assembly

<i>Ref.</i>	<i>Part Number</i>	<i>Qty.</i>	<i>Description</i>	<i>Ref.</i>	<i>Part Number</i>	<i>Qty.</i>	<i>Description</i>
1	105-4677	2	Rod-Control	12	3290-378	2	Tie-Cable
2	3272-4	2	Pin-Cotter	13	32128-21	4	Nut-HF
3	237-141	2	Grommet-Rubber	14	3234-11	4	Screw-HHF
4	93-7298	1	Decal-Bar, Control	15	98-4387	1	Decal-Protection, Ear
5	82-7680-03	1	Bail ASM	16	32105-1	1	Screw-SHH
6	82-7690-03	1	Bar-Control	17	51-4850-03	1	Lever-Brake, Parking
7	93-7299	1	Decal-Reverse	18	93-7442	1	Decal-Lever, Parking
8	106-5477-03	1	Control Pivot ASM	19	3296-2	1	Nut-Lock, NI
9	3272-11	2	Pin-Cotter	20	218-595	1	Connector-Body
10	105-3158-01	1	Upper Handle ASM	21	82-2190	1	Switch-Bail
11	283-55	2	Pin-Clevis				



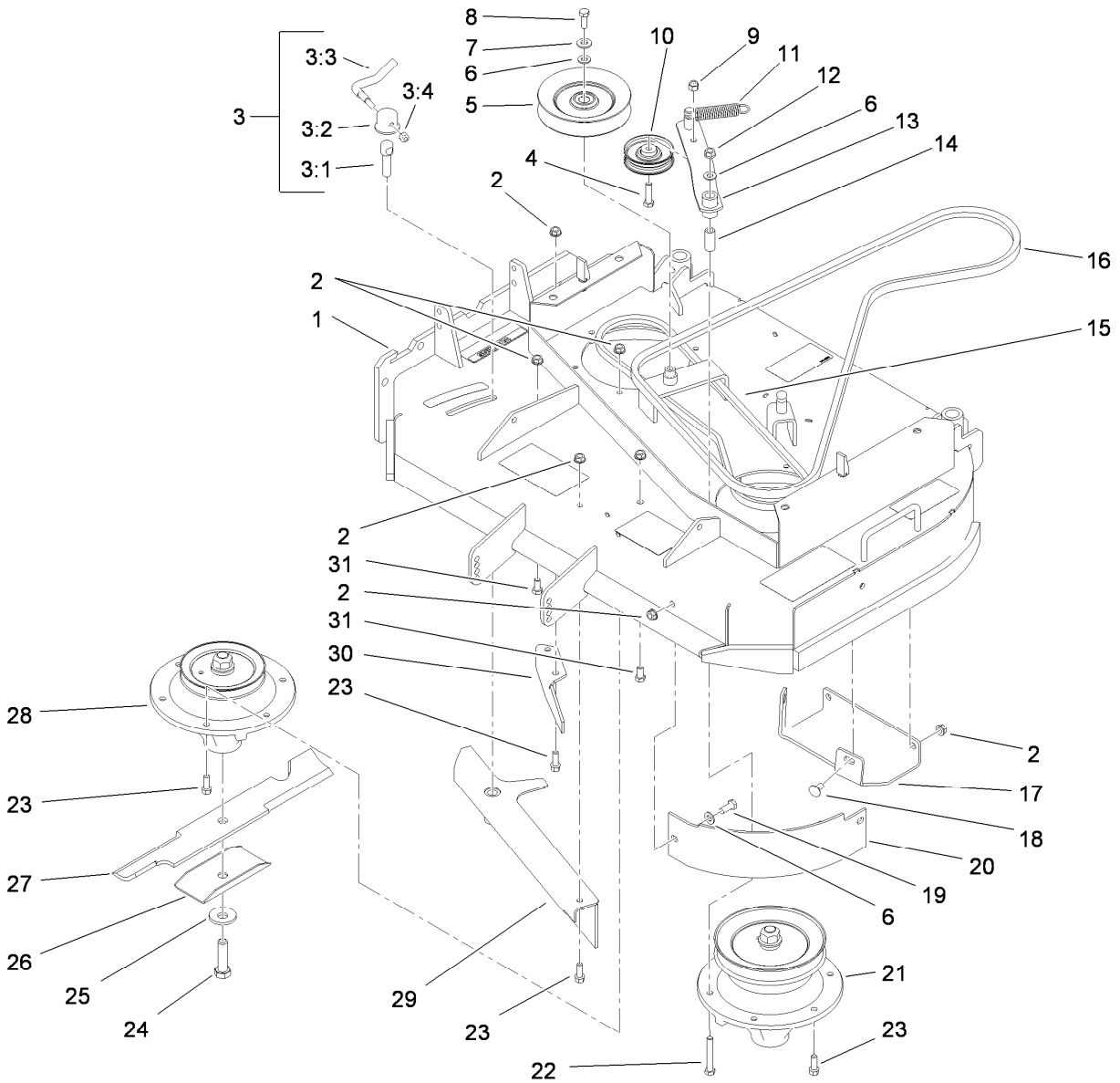
Control Panel Assembly

<i>Ref.</i>	<i>Part Number</i>	<i>Qty.</i>	<i>Description</i>	<i>Ref.</i>	<i>Part Number</i>	<i>Qty.</i>	<i>Description</i>
1	106-5519	1	Decal-Danger	13	29-5560	1	Switch-On / Off
2	63-8360	1	Key-Ignition	13:1	218-461	1	Nut-HH
3	110-4994	1	Cable-Throttle	13:2	3254-5	1	Washer-Tooth, Internal
4	32104-76	4	Screw	14	2412-120	2	R-Clamp
5	32105-14	4	Screw-SHH	15	104-7050	1	Tube-Manual
6	3296-42	1	Nut-Lock, NI	16	104-8140	1	Switch-PTO
7	104-8141	1	Module-Delay	17	110-4982-03	1	Panel-Control
8	93-1187-03	1	Panel-Bottom	18	110-4972	1	Decal-Control Panel
9	321-2	1	Screw-HH	19	104-7048	1	Cap-Housing
12	3296-2	4	Nut-Lock, NI	20	110-4995	1	Cable-Choke



Carrier Frame Assembly

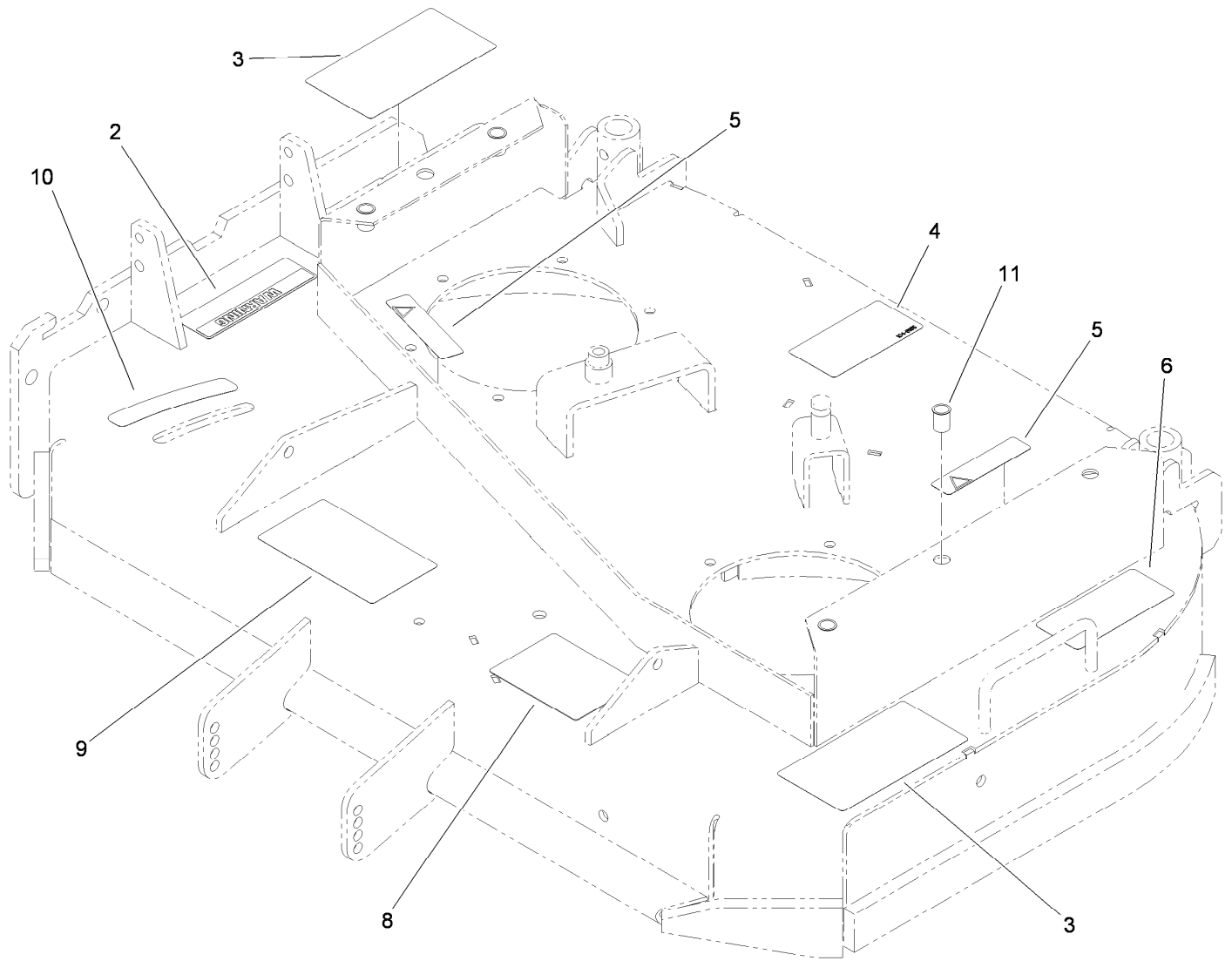
<i>Ref.</i>	<i>Part Number</i>	<i>Qty.</i>	<i>Description</i>	<i>Ref.</i>	<i>Part Number</i>	<i>Qty.</i>	<i>Description</i>
1	110-6960	1	Carrier Frame ASM	13	3256-24	2	Washer-Flat
1:2	32148-9	2	Insert-Nut	14	32120-33	2	Ring-Retaining
1:3	94-1291	4	Bushing	15	1-323539	4	Spacer
1:4	302-5	2	Fitting-Grease	16	106-0636	2	Decal
2	110-6970	1	Cover-Frame, Carrier	17	105-3159-01	2	Castor Fork ASM
3	112-9710	1	Decal	18	32153-5	2	Nut-Hex
4	1-804254	3	Nut	19	110-5024	2	Wheel And Tire ASM
5	106-6778	3	Bushing-Latch, Swell	19:2	112-7066	1	Bearing-Roller
6	99-3058	3	Washer	19:3	1-513810	2	Bushing
7	106-6777	3	Handle-Latch, Swell	19:4	302-61	1	Zerk
8	110-6971-01	1	Shield-Belt	20	100-6453	2	Bushing-Spanner
10	104-1105	4	Spacer-Support, Deck	21	325-19	2	Screw-HH
11	1-513336	2	Bushing-Deck	22	283-71	2	Pin-Lynch
12	323-6	2	Screw-HH	23	3-6781	8	Washer-Thrust



Deck Drive and Baffle Assembly

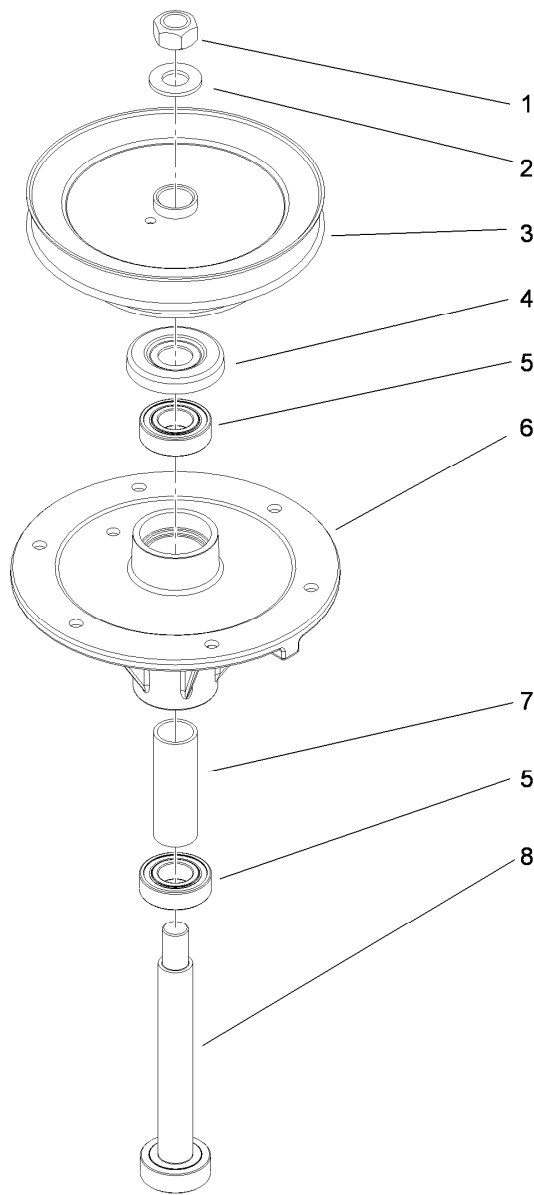
Ref.	Part Number	Qty.	Description
1	115-4230	1	91Cm Deck And Decal ASM
2	3290-357	22	Nut-HHF, Whiz
3	107-1664	1	Lever ASM
3:1	106-3239	1	Screw-Lock
3:2	107-1644	1	Cap-Lock
3:3	106-3241	1	Lever-Lock
3:4	3296-29	1	Nut-Lock, NI
4	323-8	1	Screw-HH
5	1-633166	1	Pulley-Idler
6	3256-24	4	Washer-Flat
7	98-5975	1	Washer-Belleville
8	323-6	1	Screw-HH
9	3296-39	1	Nut-Lock, NI
10	51-3660	1	Pulley-Idler
11	105-2673	1	Spring-Extension
12	32128-21	1	Nut-HF
13	105-0889	1	Idler Arm ASM
14	51-3641	1	Sleeve-Pivot, Idler

Ref.	Part Number	Qty.	Description
15	110-6953	1	Belt-V
16	105-0886	1	Belt-Drive, PTO
17	110-2037-01	1	Plate-Skid
18	3231-1	4	Screw-CARR
19	323-5	2	Screw-HH
20	110-6903-03	1	Baffle-Front, LH
21	110-6950	1	Spindle ASM
22	323-12	1	Screw-HH
23	92-1624	14	Screw-HWH
24	51-4060	2	Screw-Blade
25	103-0865	2	Washer-Blade Bolt, Heavy
26	108-2727	2	Stiffener-Blade
27	105-7781-03	2	Blade-18 Inch (Hi Flow)
28	110-0728	1	Spindle ASM
29	110-6955-03	1	Adjust Baffle ASM
30	110-0754-01	1	Baffle-Discharge
31	323-4	2	Screw-HH



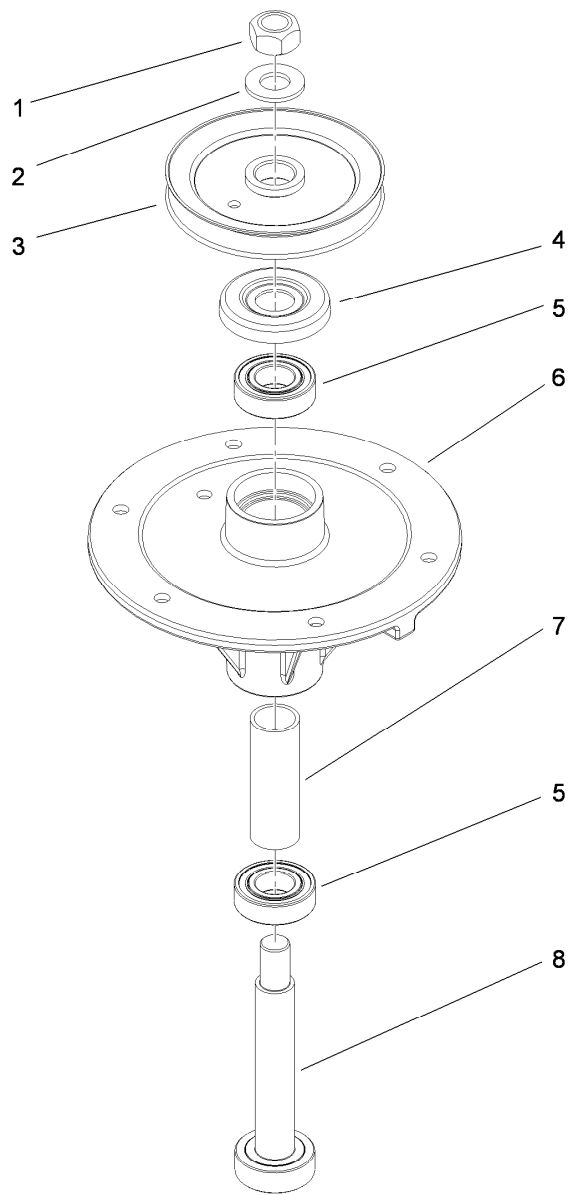
Deck Assembly No. 115-4230

<i>Ref.</i>	<i>Part Number</i>	<i>Qty.</i>	<i>Description</i>
2	93-7828	1	Decal-Warning, Deflector
3	114-3449	2	Decal-Danger
4	104-8185	1	Decal
5	98-1977	2	Decal-Warning
6	93-7818	1	Decal-Torque, Blade Bolt
8	99-8939	1	Decal-Anti Scalp
9	110-2068	1	Decal-Adjustment, Baffle
10	110-2067	1	Decal-Setting, Baffle
11	32148-9	4	Insert-Nut



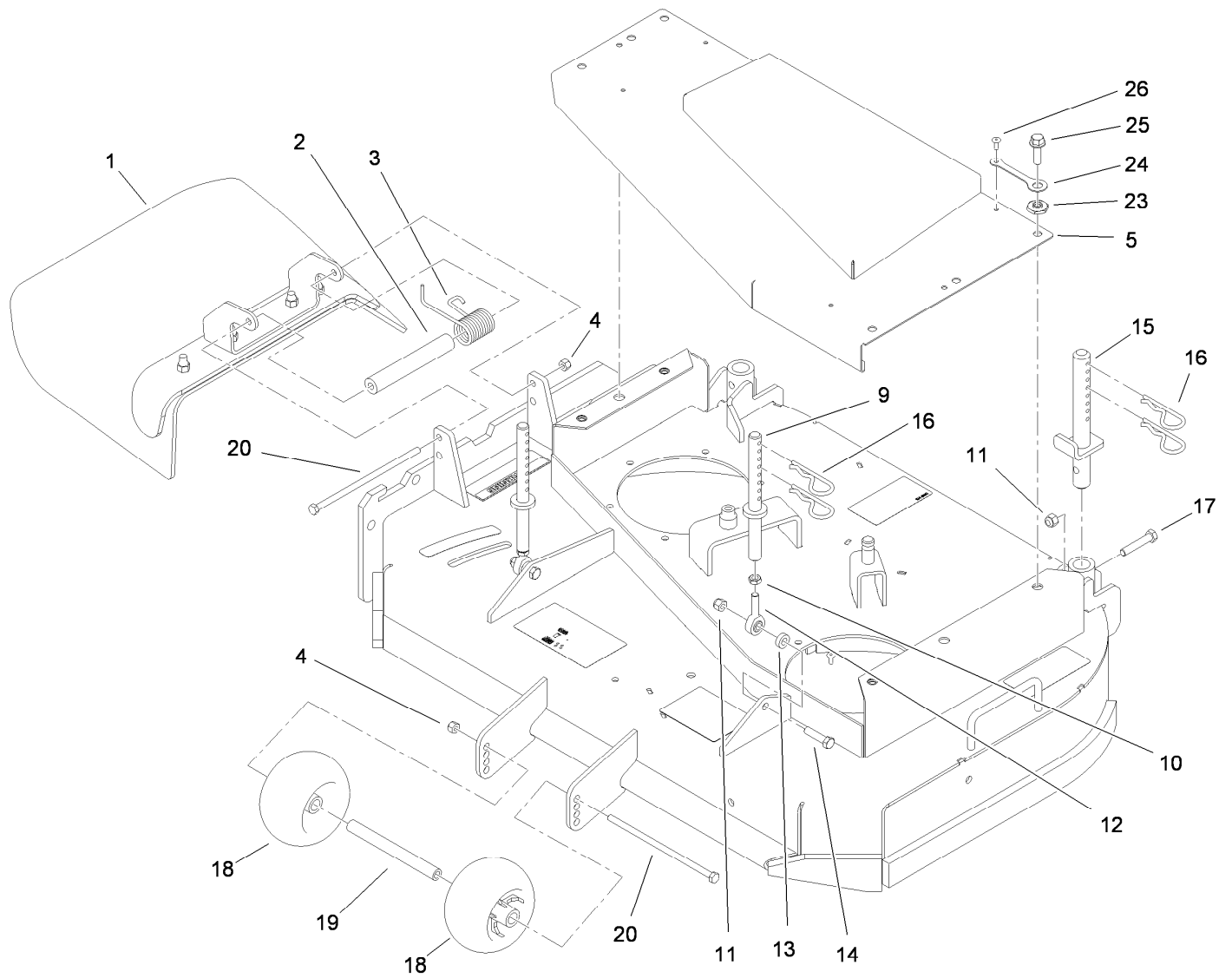
Spindle Assembly No. 110-6950

<i>Ref.</i>	<i>Part Number</i>	<i>Qty.</i>	<i>Description</i>
1	3219-7	1	Nut-Hex
2	7-4150	1	Washer
3	110-6951	1	Pulley And Hub ASM
4	106-0873	1	Shield-Bearing
5	104-6325	2	Bearing-Ball
6	108-6696	1	Housing-Spindle
7	110-0727	1	Spacer-Bearing
8	110-0725	1	Shaft-Spindle



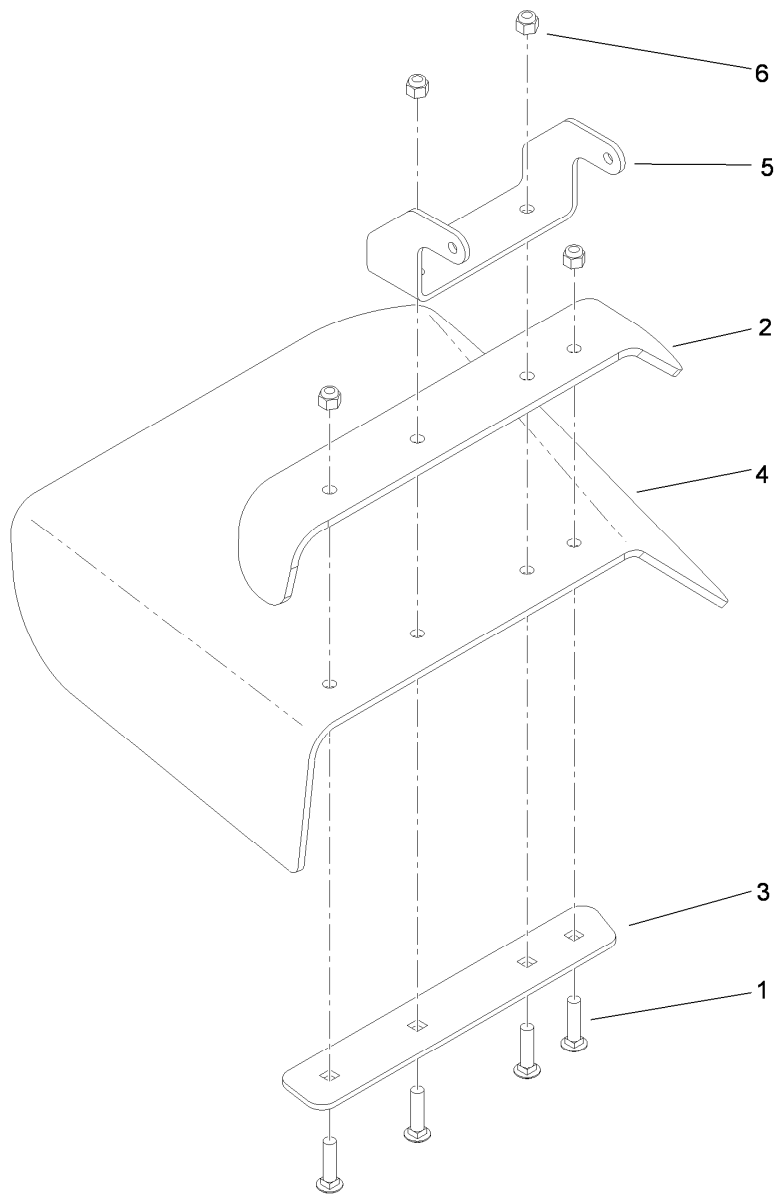
Spindle Assembly No. 110-0728

<i>Ref.</i>	<i>Part Number</i>	<i>Qty.</i>	<i>Description</i>
1	3219-7	1	Nut-Hex
2	7-4150	1	Washer
3	104-1181	1	Pulley ASM
4	106-0873	1	Shield-Bearing
5	104-6325	2	Bearing-Ball
6	108-6696	1	Housing-Spindle
7	110-0727	1	Spacer-Bearing
8	110-0726	1	Shaft-Spindle



Deck Deflector, Roller and Cover Assembly

<i>Ref.</i>	<i>Part Number</i>	<i>Qty.</i>	<i>Description</i>	<i>Ref.</i>	<i>Part Number</i>	<i>Qty.</i>	<i>Description</i>
1	110-0790	1	Deflector ASM	15	110-2086	2	Rear Pin ASM
2	105-4622	1	Spacer	16	3290-256	6	Pin-Hair
3	104-8554	1	Spring-Torsion	17	323-10	2	Screw-HH
4	3296-29	2	Nut-Lock, NI	18	1-603299	2	Roller-Scalp, Anti
5	119-6512-01	1	Deck Belt Cover ASM	19	98-5967	1	Spacer-Wheel
9	108-2674	2	Front Pin ASM	20	322-50	2	Screw-HH
10	3220-3	2	Nut-HJ	23	117-8347	4	Nut-Shoulder
11	3296-39	4	Nut-Lock, NI	24	117-8339	4	Lanyard-3 Inch
12	1-613204	2	Balljoint	25	3234-24	4	Screw-HHF
13	104-1156	2	Spacer	26	114439	4	Rivet-Pop
14	323-8	2	Screw-HH				



Deflector Assembly No. 110-0790

<i>Ref.</i>	<i>Part Number</i>	<i>Qty.</i>	<i>Description</i>
1	3231-4	4	Screw-CARR
2	110-0792-01	1	Deflector
3	110-0793-03	1	Strap-Discharge
4	110-0791	1	Deflector-Rubber
5	107-4164-01	1	Bracket-Mounting, Deflector
6	3296-39	4	Nut-Lock, NI

Attachments and Accessories

For 30031 Commercial Walk-Behind Mower, 15HP, T-Bar, Gear Drive with 91cm TURBO FORCE Cutting Unit

Product Name	Model/Part
Blade-Recycler, 18 Inch.....	105-7779-03
Blade-Med Flow, 18 Inch	105-7794-03
Blade-Low Flow, 18 Inch.....	105-7795-03
Blade-Atomic, 18 Inch.....	105-7796-03
Blade-Hi-Flow, 18 Inch (6 Pack).....	108-1117
Blade-Atomic, 18 Inch (6 Pack).....	108-1118
Blade-Lo-Flow, 18 Inch (6 Pack).....	110-0406
Blade-Recycler, 18 Inch (6 Pack).....	110-0408
Blade-Med-Flow, 18 Inch (6 Pack).....	110-0409
36 Inch Bagger Enhancement Kit	110-2026
36 Inch Recycler Kit.....	110-2080
Weight-Cast.....	112-7059-01
Soft Bag (3 Bushel).....	30104
Tru Trak Sulky.....	30110



Count on it.