



48in Recycler® Kit
TITAN Zero-Turn-Radius Riding Mower
 Model No. 119-3320

Installation Instructions

Installation

Loose Parts

Use the chart below to verify that all parts have been shipped.

Description	Qty.	Use
Right baffle	1	Install the Recycler® Kit.
Left baffle	1	
Baffle guard	1	
Lock nut (5/16 inch)	8	
Carriage bolt (5/16 x 3/4 inch)	4	
Kicker baffles	2	
Flange screw (5/16 x 3/4 inch)	4	
Decal	1	
Mulching blade	3	

Installing the Recycler® Kit

1. Stop the engine and remove the ignition key.
2. Remove the mower as described in your *Operator's Manual*.
3. Turn the mower upside down.
4. Remove the existing mower blades installed on your deck. Refer to the Removing the Blades section in the *Operator's Manual* for more information.
5. Locate the cut off baffle at the side discharge opening on the mower deck (Figure 1).

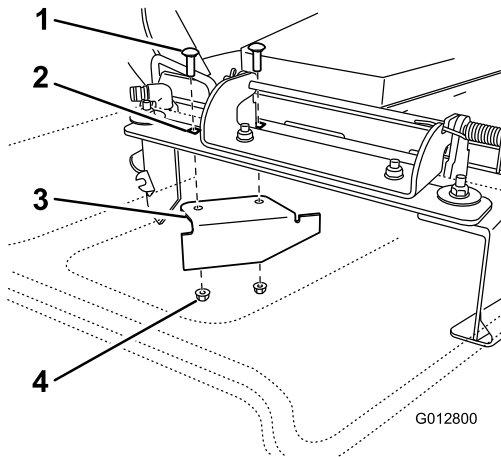


Figure 1

- | | |
|--------------------------------------|-----------------------------|
| 1. Carriage bolt, existing | 3. Cut off baffle, existing |
| 2. Rear holes in the discharge plate | 4. Lock nut, existing |

6. Remove the fasteners securing the cut off baffle to the deck and remove the cut off baffle.

Note: Save the cut off baffle for converting back to side discharge.

7. Install the fasteners into the same holes in the deck they were originally removed from. This ensure no holes are left open when the deck is operated.

⚠ DANGER

Open holes in the mower expose you and others to thrown debris. Debris thrown out of holes in the mower can cause injury.

- **Never operate the mower without hardware mounted in all holes in the mower.**
- **Install hardware in mounting holes when the baffle is removed.**

8. Install the right baffle to mower deck as shown in Figure 2. Use two lock nuts (5/16 inch) to secure the welded posts of the right baffle to the top of the mower deck at center and right of center positions. Hand tighten the fasteners.

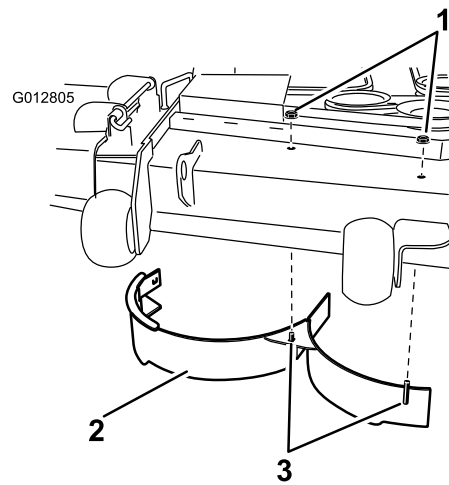


Figure 2

- | | |
|-------------------------|-----------------|
| 1. Lock nut (5/16 inch) | 3. Welded posts |
| 2. Right baffle | |

9. Locate the baffle guard in loose parts. Use two carriage bolts (5/16 x 3/4 inch) and two lock nuts (5/16 inch) to the deck to secure the baffle guard to the right baffle and the mower deck as shown in Figure 3. Hand tighten the fasteners.

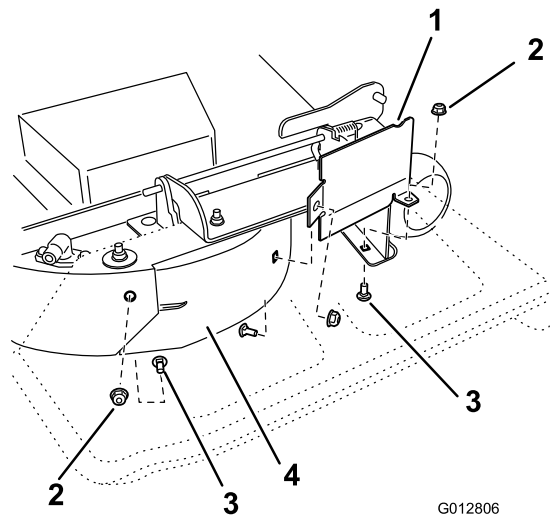


Figure 3

- | | |
|-------------------------|-------------------------------------|
| 1. Baffle guard | 3. Carriage bolts (5/16 x 3/4 inch) |
| 2. Lock nut (5/16 inch) | 4. Right baffle |

10. Locate a carriage bolt (5/16 x 3/4 inch) and lock nut (5/16 inch) from loose parts. Install the carriage bolt and lock nut through rear wall of the mower deck and right baffle to secure the baffle to the deck.
11. Tighten all fasteners.
12. Install the left baffle to the mower deck as shown in Figure 4. Use two lock nuts (5/16 inch) to secure the welded posts of the left baffle to the top of the mower deck at the center and left positions. Hand tighten the fasteners.

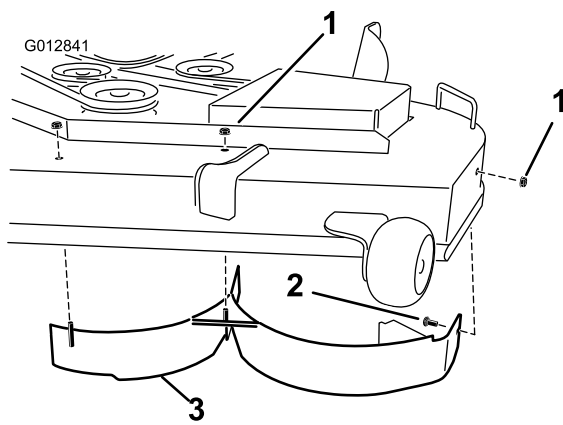


Figure 4

1. Lock nut (5/16 inch)
2. Carriage bolt (5/16 x 3/4 inch)
3. Left baffle

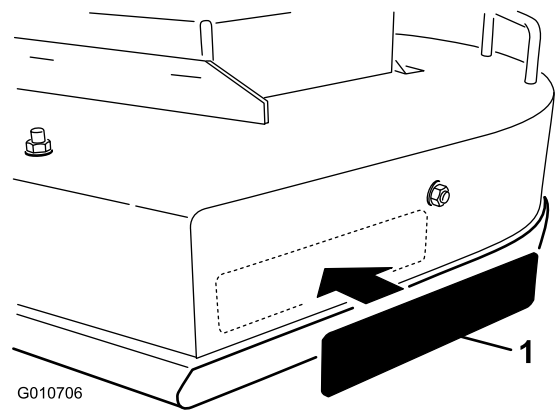


Figure 6

1. Decal

13. Locate a carriage bolt (5/16 x 3/4 inch) and a lock nut (5/16 inch) from loose parts. Install the carriage bolt and lock nut through side wall of the mower deck and left baffle to secure the baffle to the deck.

14. Tighten all fasteners.

15. Locate the kicker baffles and four flange screws (5/16 x 3/4 inch) from loose parts. Install the baffles to the underside of the deck at the locations shown in Figure 5. Secure the baffles to the deck using four flange screws (5/16 x 3/4 inch).

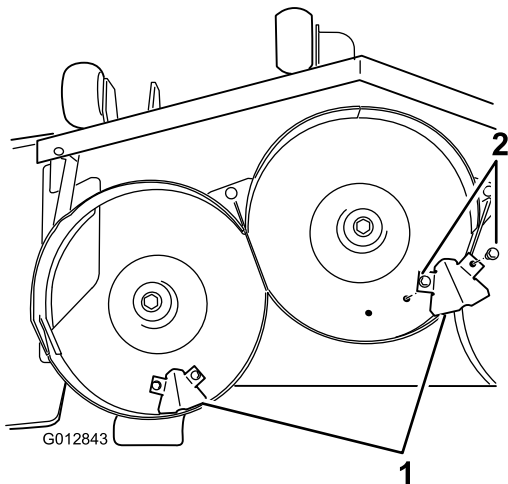


Figure 5

1. Kicker baffles
2. Flange screw (5/16 x 3/4 inch)

- A. Thoroughly clean the area where you will install the decal.
- B. Dampen the area with water or mildly soapy water.
- C. Peel the decal from the backing and install it in place. (Figure 6).
- D. Squeegee across the surface of the decal, starting at the center of the decal and working toward the edges, using overlapping strokes.

17. Install the mulching mower blades located in loose parts. Refer to the Installing the Blades section in the *Operator's Manual* for more information.

16. Install the decal to the area shown in Figure 6.

Operation

Operating Tips

Selecting the Proper Height-of-Cut Setting to Suit the Conditions

Remove approximately one inch or no more than $\frac{1}{3}$ of the grass blade when cutting. In exceptionally lush and dense grass you may have to raise the height-of-cut setting another notch or convert to side discharge or bagging operations.

Long Grass

If the grass is ever allowed to grow slightly longer than normal, or if it contains a high degree of moisture, raise the cutting height higher than usual and cut the grass at this setting. Then cut the grass again using the lower, normal setting.

Mowing in Extreme Conditions

Air is required to cut and recut grass clippings in the mower housing, so do not set the height-of-cut too low or totally surround the housing by uncut grass. Always have one side of the mower housing free from uncut grass, allowing air to be drawn into housing. When making an initial cut through the center of the uncut area, operate the machine at a slower speed and back up if the mower starts to clog.

Mowing at the Proper Intervals

Under normal conditions you'll need to mow every 4-5 days. However, grass grows at different rates at different times. Thus, in order to maintain the same height-of-cut, which is a good practice, you'll need to cut more frequently in early spring; as the grass growth rate slows in mid summer, cut only every 8-10 days. If you are unable to mow for an extended period due to the weather conditions or other reasons, convert to side discharge or bagging options or mow first with the height-of-cut at a high level; then mow again 2-3 days later with a lower height setting.

Always Mow with Sharp Blades

A sharp blade cuts cleanly and without tearing or shredding the grass blade like a dull blade. Tearing and shredding causes the grass to turn brown at the edges which impairs growth and increases susceptibility to disease.

Cleaning After Operating

To ensure optimum performance, clean the underside of the mower housing. If residue is allowed to build up in mower housing, cutting performance will decrease.