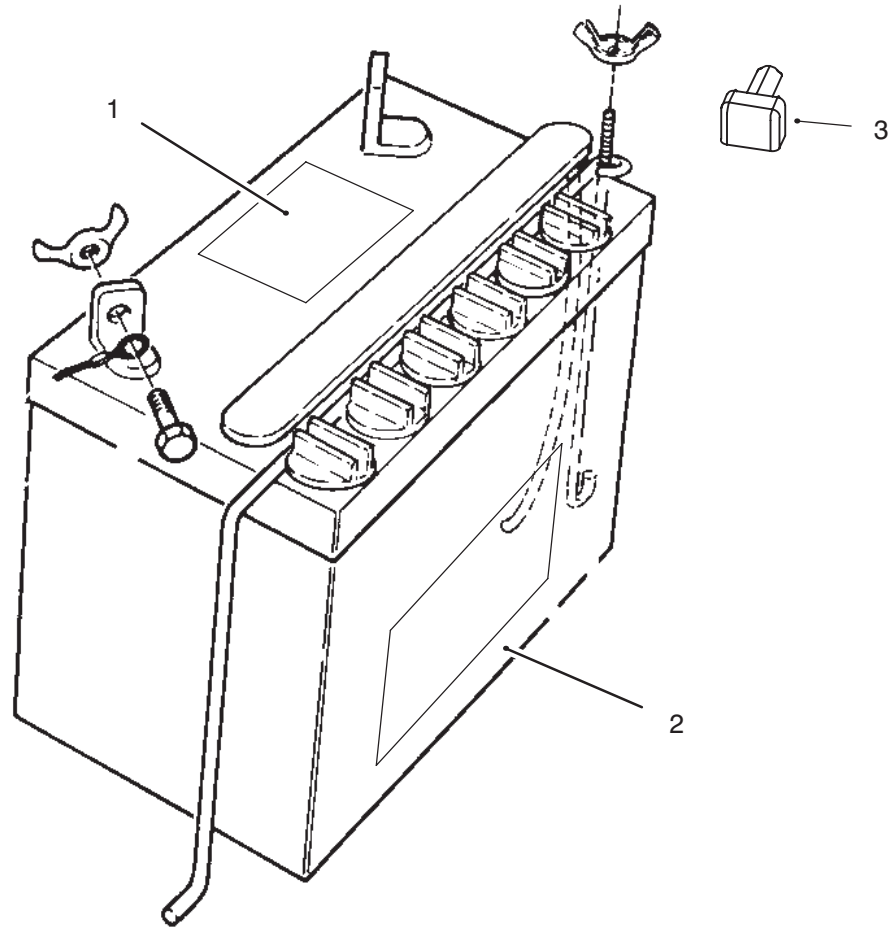


DEFLECTOR ASSEMBLY

Ref. No.	Part No.	Description	No. Used
1	93-9492	Deflector Assembly (Incl. Ref. #2-4)	1
2	93-7010	Decal - Danger	1

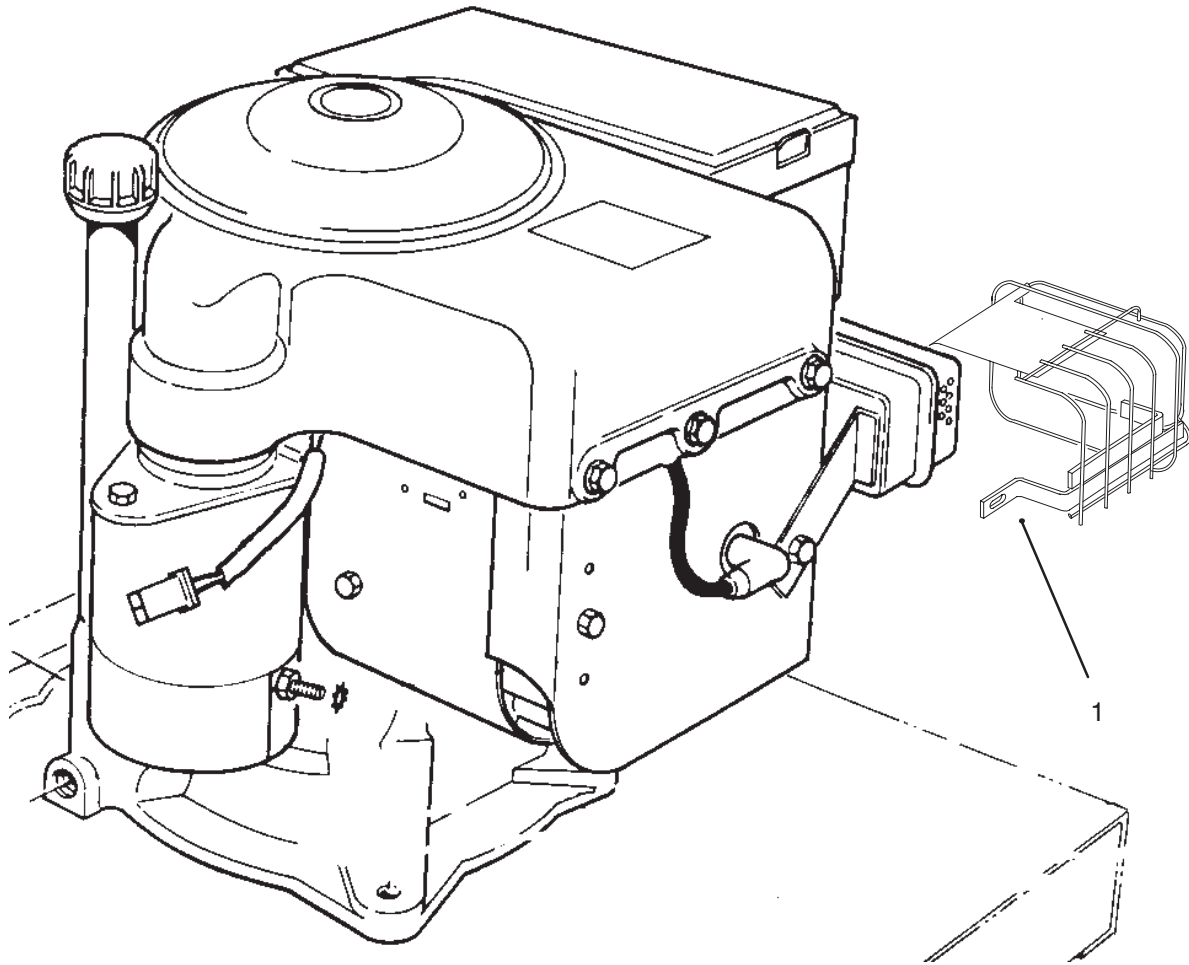
Ref. No.	Part No.	Description	No. Used
3	32144-111	Screw - Phillips Pan Hd.	4
4	93-7696	Kicker - CE	2
5	93-7009	Decal - Deflector Danger	1



BATTERY ASSEMBLY

Ref. No.	Part No.	Description	No. Used
1	93-6668	Decal - Battery Charging Instructions	1

Ref. No.	Part No.	Description	No. Used
2	93-7276	Decal - Danger	1
3	28-8080	Boot - Battery Terminal	1



MUFFLER GUARD ASSEMBLY

Ref. No.	Part No.	Description	No. Used
1	93-7445	Guard - Muffler	1

Ref. No.	Part No.	Description	No. Used