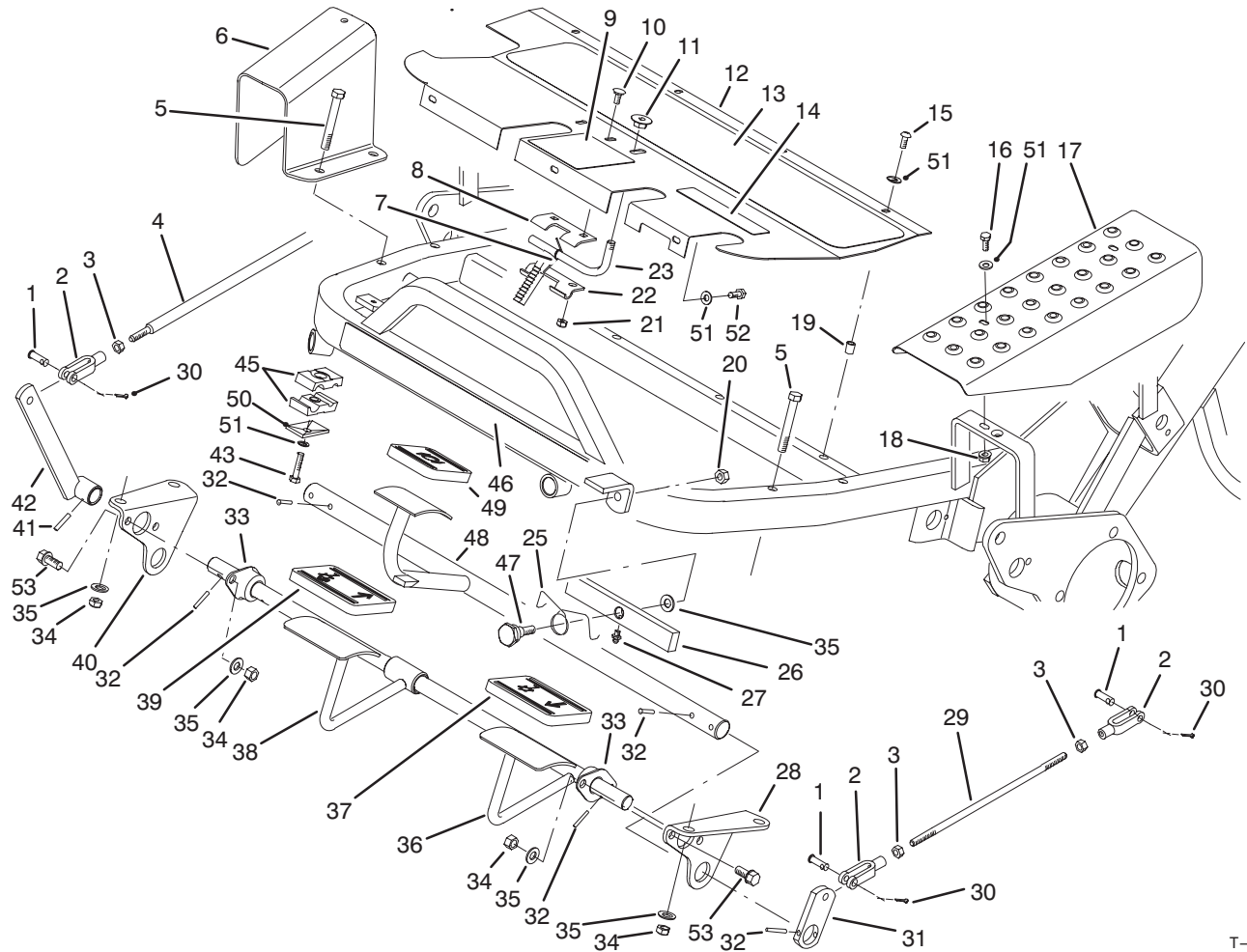




MODEL NO. 04353-51200 & UP

PARTS
CATALOG

GREENMASTER® 3100 TRACTION UNIT



T-1285

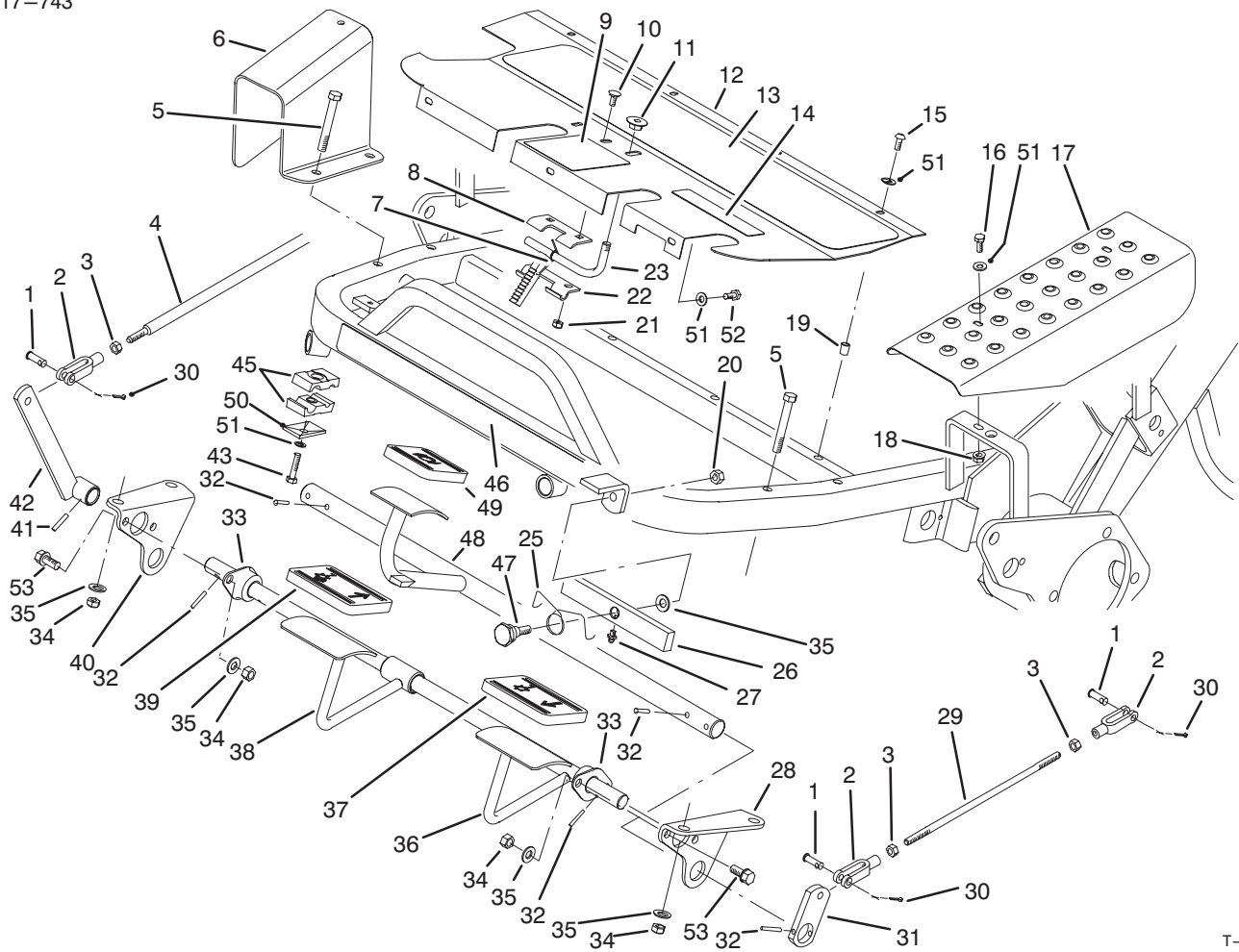
CONTROL PEDAL ASSEMBLY

Ref. No.	Part No.	Description	No. Used	Ref. No.	Part No.	Description	No. Used
1	283-61	Pin - Clevis	5	17	83-0200	Cover - L.H.	1
2	282-2	Clevis - Adjusting	5	18	32128-33	Nut - Flange Lock	2
3	3220-2	Nut - Jam	5	19	32148-6	Insert - Threaded	8
4	49-5430	Rod - Control	1	20	3296-39	Nut - Lock	1
5	323-13	Screw - Cap Hex. Hd.	4	21	3296-16	Nut - Lock	2
6	49-6110	Guard - Transfer Rod	1	22	10-7890	Hinge - Lower	1
7	10-8140	Spring - Torsion	1	23	10-7850	Latch - Parking Brake	1
8	10-7880	Hinge - Upper	1	25	83-0080	Spring - Torsion	1
†9	27-2830	Decal - Parking Brake	1	26	83-0060	Lift - Pivot	1
10	3229-22	Bolt - Carriage	2	27	302-5	Fitting - Grease	1
11	32141-111	Nut Flange Lock	1	28	88-9640	Lift Pivot Bracket L.H.	1
12	83-0640	Plate - Footrest	1	29	27-2270	Rod - Brake Adjusting	2
13	49-6120	Pad - Footrest	1	30	3272-6	Pin - Cotter	5
14	93-8075	Decal - Mow/Lift	1	31	10-8100	Strap - Brake Shaft	2
15	3274-31	Screw - Hex. Socket Hd.	4	32	32121-35	Pin - Roll	8
16	321-4	Screw - Hex. Flange Hd.	2	33	27-2320	Bearing - Flange	2

†For different language versions of this part,
see International Parts Page.

© The TORO Company - 1995
All Rights Reserved

TPS

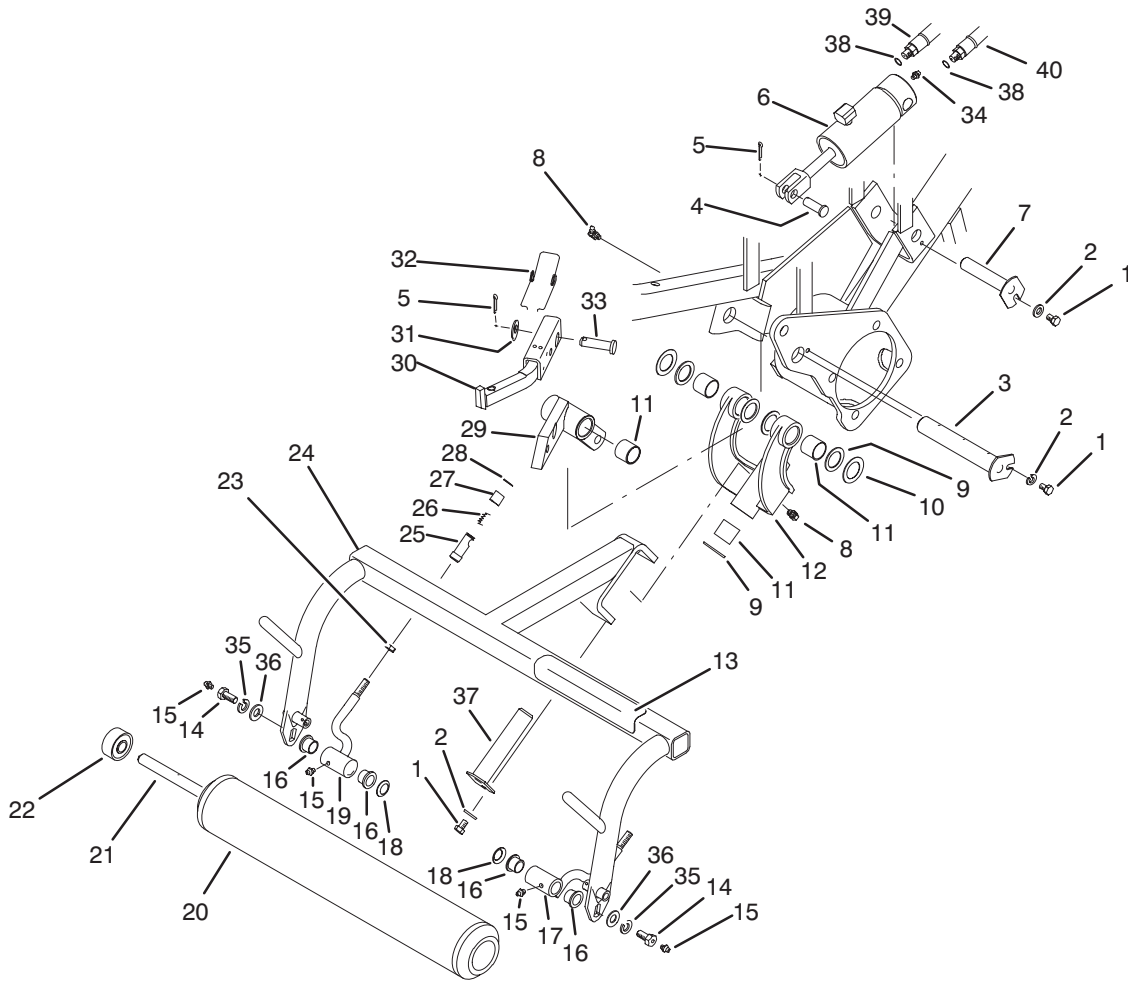


T-1285

CONTROL PEDAL ASSEMBLY (Continued)

Ref. No.	Part No.	Description	No. Used	Ref. No.	Part No.	Description	No. Used
34	3296-59	Nut - Lock	8	45	56-7970	Clamp Half - Tube	2
35	3256-24	Washer - Flat	9	46	88-9620	Decal - Greensmaster 3100	1
36	88-9660	Shaft - Cutting Control	1	47	83-2590	Bolt - Shoulder	1
37	93-7631	Pad - Lift	1	48	83-0160	Shaft - Brake	1
38	83-0140	Pedal - Mow	1	49	93-7629	Pad - Brake	1
39	93-7630	Pad - Mow	1	50	69-9760	Plate - Cover	1
40	88-9630	Lift Pivot Bracket R.H.	1	51	3256-1	Washer - Flat	9
41	32121-6	Pin - Roll	1	52	321-3	Screw - Cap Hex. Hd.	3
42	49-6200	Lever - Cutting Control	1	53	3234-1	Screw - Cap Hex. Hd.	4
43	321-11	Screw - Cap Hex. Hd.	1	*	37-8130	Basket - Grass	3
44	3256-22	Washer - Flat	1	*	65-8320	Bar - Gauge	1

*Not Illustrated

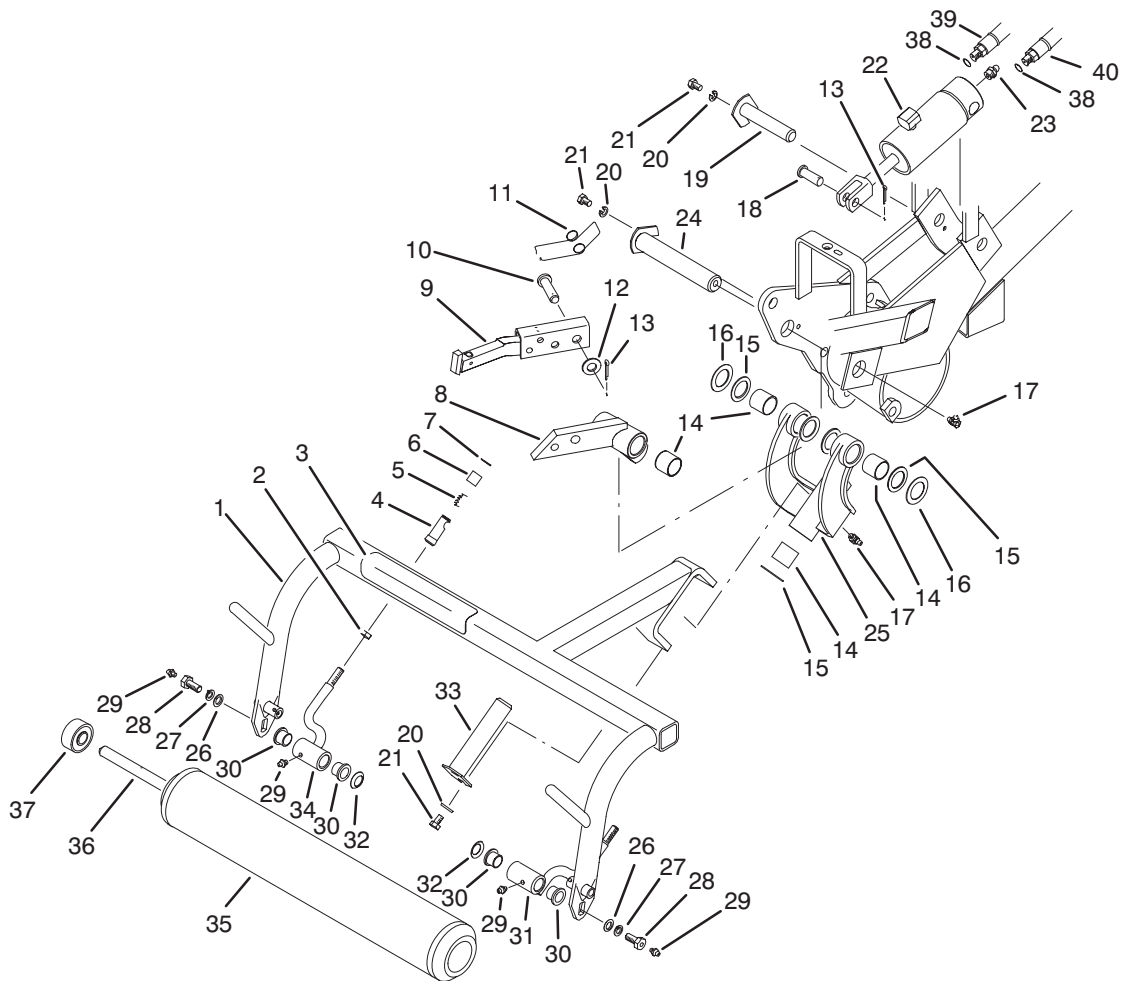


T-1283

PULL FRAME ASSEMBLY L.H.

Ref. No.	Part No.	Description	No. Used	Ref. No.	Part No.	Description	No. Used
1	322-1	Screw - Cap Hex. Hd.	3	21	21-8470	Shaft - Roller	1
2	3256-23	Washer - Flat	3	22	251-141	Bearing - Ball	2
3	10-6110	Pin - Hinge	1	23	3220-3	Nut - Jam	2
4	283-8	Pin - Clevis	1	24	92-9176	Frame - Pull L.H.	1
5	3272-11	Pin - Cotter	2	25	8-7710	Ball Joint Receiver Assy. (Incl. Ref. #26-28)	2
6	83-2580	Cylinder - Lift	1	26		Spring - Compression	2
7	10-6060	Pin - Lift Cylinder	1	27		Sleeve	2
8	302-60	Fitting - Grease 90°	2	28		Ring - Retaining	2
9	10-8110	Washer - Thrust	6	29	62-2460	Lift Arm Assembly L.H. (Incl. Ref. #11)	1
10	5-1226	Washer - Shim	2	30	62-2390	Bar - Lift L.H.	1
11	3-0348	Bushing - Sleeve	6	31	3256-26	Washer - Flat	1
12	10-7820	Pivot Hinge Assembly (Incl. Ref. #11)	1	32	57-7650	Spring - Torsion	1
‡13	62-5070	Decal - Danger	1	33	63-8750	Pin - Pivot	1
14	11-0160	Roller Shaft Screw Assy. (Incl. Ref. #15)	2	34	302-2	Fitting - Grease Straight	1
15	302-5	Fitting - Grease Straight	4	35	3253-21	Washer - Lock	2
16	3-1506	Bushing - Flange	4	36	3256-24	Washer - Flat	2
17	92-0586	Pull Arm Assembly L.H. (Incl. Ref. #16)	1	37	10-6090	Pin - Pivot	1
18	3290-317	Washer - Wave	2	38	237-78	Seal - O-Ring	2
19	92-0585	Pull Arm Assembly R.H. (Incl. Ref. #16)	1	39	63-3850	Hose - Hydraulic (Incl. Ref. #38)	1
20	52-2720	Roller Assembly (Incl. Ref. #22)	1	40	83-1690	Hose - Hydraulic (Incl. Ref. #38)	1

‡For different language versions of this part, see International Parts Page.

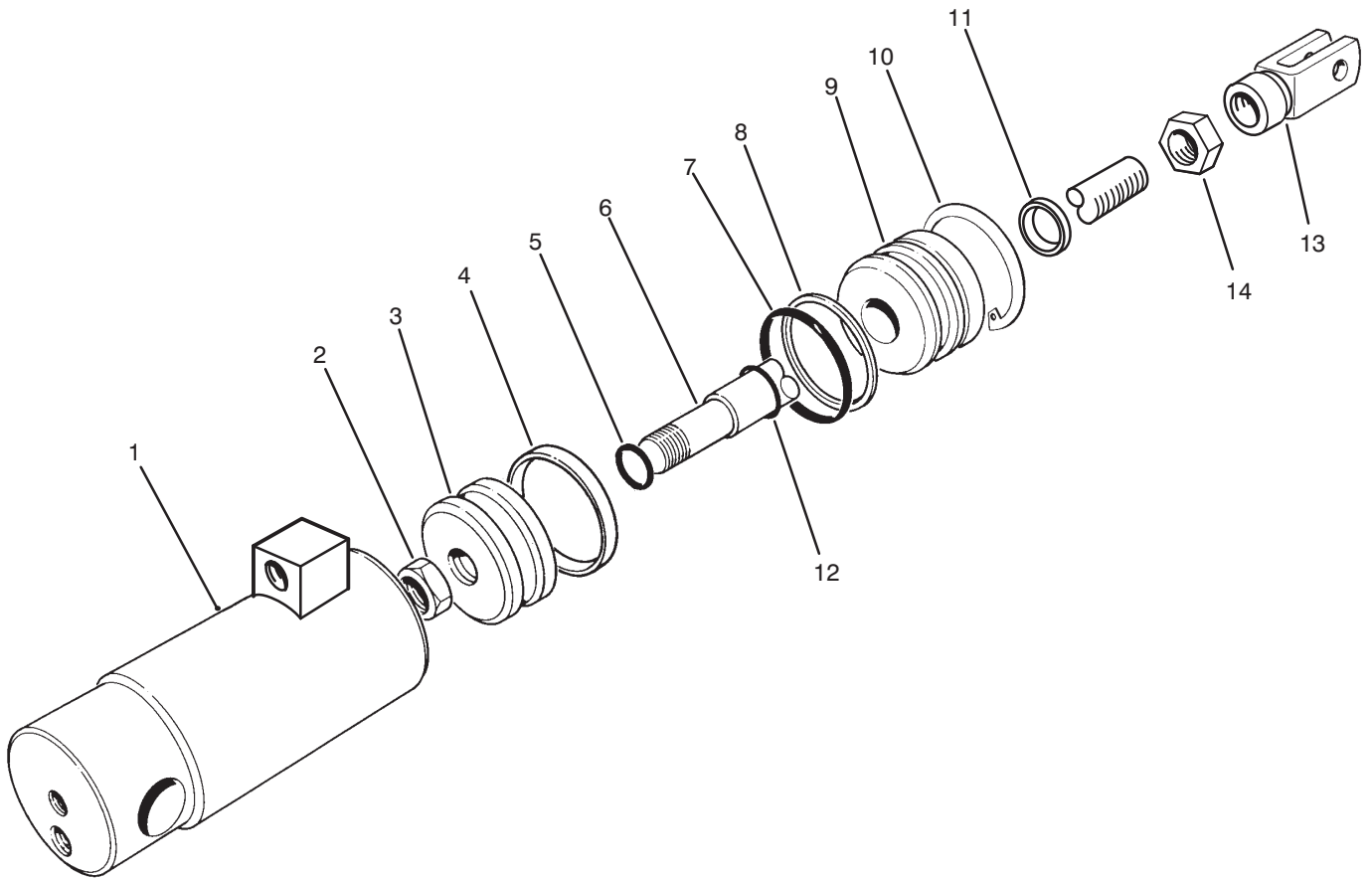


T-1284

PULL FRAME ASSEMBLY R.H.

Ref. No.	Part No.	Description	No. Used	Ref. No.	Part No.	Description	No. Used
1	92-9177	Frame – Pull R.H.	1	23	302-2	Fitting – Grease	1
2	3220-3	Nut – Jam	2	24	10-6110	Pin – Pivot	1
‡3	62-5070	Decal – Danger	1	25	10-7820	Pivot Hinge Assembly (Incl. Ref. #14)	1
4	8-7710	Ball Joint Receiver Assy. (Incl. Ref. #5-7)	2	26	3256-24	Washer – Flat	2
5		Spring – Compression	2	27	3253-21	Washer – Lock	2
6		Sleeve	2	28	11-0160	Roller Shaft Screw Assy. (Incl. Ref. #29)	2
7		Ring – Retaining	2	29	302-5	Fitting – Grease	4
8	62-2440	Lift Arm Assembly (Incl. Ref. #14)	1	30	3-1506	Bushing – Flange	4
9	62-2420	Bar – Lift	1	31	92-0586	Pull Arm Assembly L.H. (Incl. Ref. #30)	1
10	63-8750	Pin – Pivot	1	32	3290-317	Washer – Wave	2
11	57-7650	Spring – Torsion	1	33	10-6090	Pin – Pivot	1
12	3256-26	Washer – Flat	1	34	92-0585	Pull Arm Assembly R.H. (Incl. Ref. #30)	1
13	3272-11	Pin – Cotter	2	35	52-2720	Roller Assembly (Incl. Ref. #37)	1
14	3-0348	Bushing – Sleeve	6	36	21-8470	Shaft – Roller	1
15	10-8110	Washer – Thrust	6	37	251-141	Bearing – Ball	2
16	5-1226	Washer – Shim	2	38	237-78	Seal – O-Ring	2
17	302-60	Fitting – Grease 90°	2	39	63-3880	Hose – Hydraulic (Incl. Ref. #38)	2
18	283-8	Pin – Clevis	1				
19	10-6060	Pin – Pivot	1				
20	3256-23	Washer – Flat	3				
21	322-1	Screw – Cap Hex. Hd.	3				
22	83-2580	Hydraulic Cylinder Assy.	1				

‡For different language versions of this part, see International Parts Page.



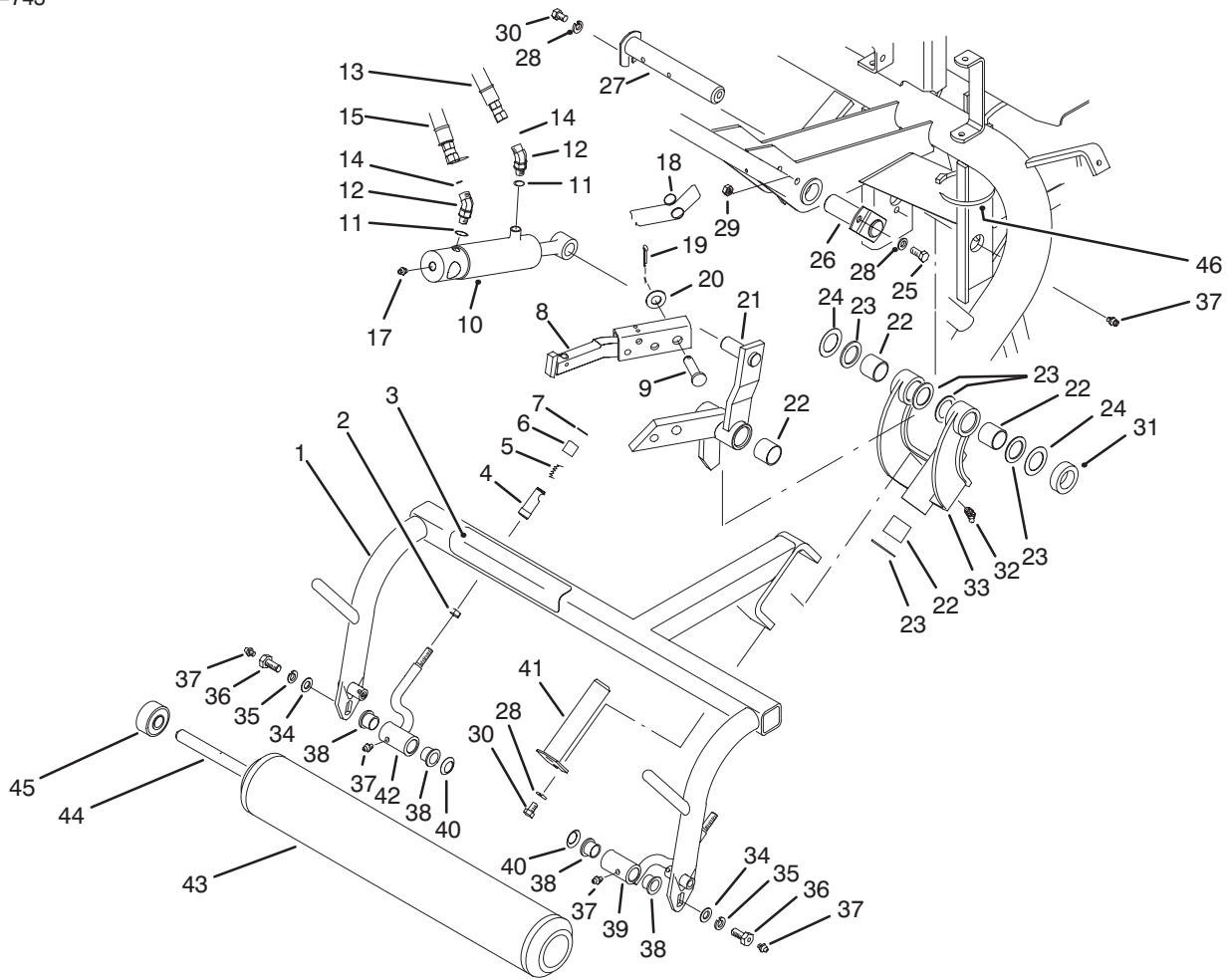
T-1246

HYDRAULIC CYLINDER ASSEMBLY NO. 83-2580

Ref. No.	Part No.	Description	No. Used
1		Barrel	1
2	32152-10	Nut - Lock	1
3	52-1990	Piston	1
4		Uniring	1
5		Seal - O-Ring	1
6	76-1860	Shaft	1
7		Seal - O-Ring	1
8		Washer - Back-Up	1
9	65-4860	Head	1

Ref. No.	Part No.	Description	No. Used
10	32120-8	Ring - Retaining	1
11		Seal - Dust	1
12		Seal - PDF	1
13	76-1850	Clevis	1
14	3220-6	Nut - Jam	1
*	86-5390	Seal Kit (Incl. Ref. #4, 5, 7, 8, 11 & 12)	1

*Not Illustrated



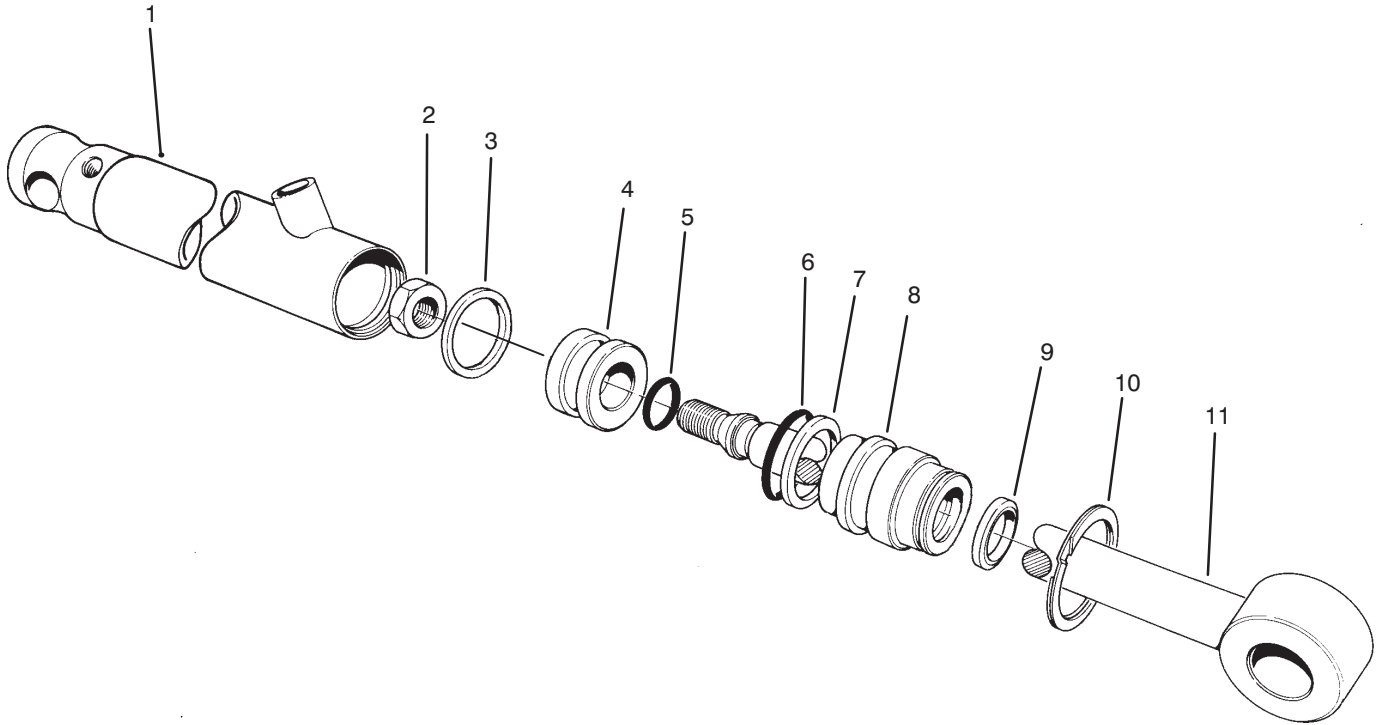
T-1286

PULL FRAME ASSEMBLY REAR

Ref. No.	Part No.	Description	No. Used
1	92-9177	Frame – Pull Rear	1
2	3220-3	Nut – Jam	2
‡3	62-5070	Decal – Danger	1
4	8-7710	Ball Joint Receiver Assy. (Incl. Ref. 5-7)	2
5		Spring – Compression	2
6		Sleeve	2
7		Ring – Retaining	2
8	62-2420	Bar – Lift	1
9	63-8750	Pin – Pivot	1
10	83-7230	Hydraulic Cylinder Assembly	1
11	237-35	Seal – O-Ring	2
12	340-103	Fitting – Hydraulic 45° (Incl. Ref. #11 & 14)	2
13	83-1680	Hose – Hydraulic	1
14	237-78	Seal – O-Ring	2
15	88-9700	Hose – Hydraulic	1
17	302-2	Fitting – Grease	1
18	57-7650	Spring – Torsion	1
19	3272-11	Pin – Cotter	1
20	3256-26	Washer – Flat	1
21	68-5380	Lift Arm Assembly (Incl. Ref. #22)	1
22	3-0348	Bushing – Sleeve	6
23	10-8110	Washer – Thrust	6
24	5-1226	Washer – Shim	2
25	322-3	Screw – Cap Hex. Hd.	1

Ref. No.	Part No.	Description	No. Used
26	68-5560	Pin – Cylinder Pivot	1
27	27-2550	Pin – Pivot	1
28	3256-23	Washer – Flat	3
29	3296-29	Nut – Lock	1
30	322-1	Screw – Cap Hex. Hd.	2
31	27-2540	Spacer – Hub	1
32	302-60	Fitting – Grease 90°	1
33	10-7820	Pivot Hinge Assembly (Incl. Ref. #22)	1
34	3256-24	Washer – Flat	2
35	3253-21	Washer – Lock	2
36	11-0160	Roller Shaft Screw Assy. (Incl. Ref. #37)	2
37	302-5	Fitting – Grease Straight	5
38	3-1506	Bushing – Flange	4
39	92-0586	Pull Arm Assembly L.H. (Incl. Ref. #38)	1
40	3290-317	Washer – Wave	2
41	10-6090	Pin – Pivot	1
42	92-0585	Pull Arm Assembly R.H. (Incl. Ref. #38)	1
43	52-2720	Roller Assembly (Incl. Ref. #45)	1
44	21-8470	Shaft – Roller	1
45	251-141	Bearing – Ball	2
46	3290-379	Tie – Cable	1

‡For different language versions of this part, see International Parts Page



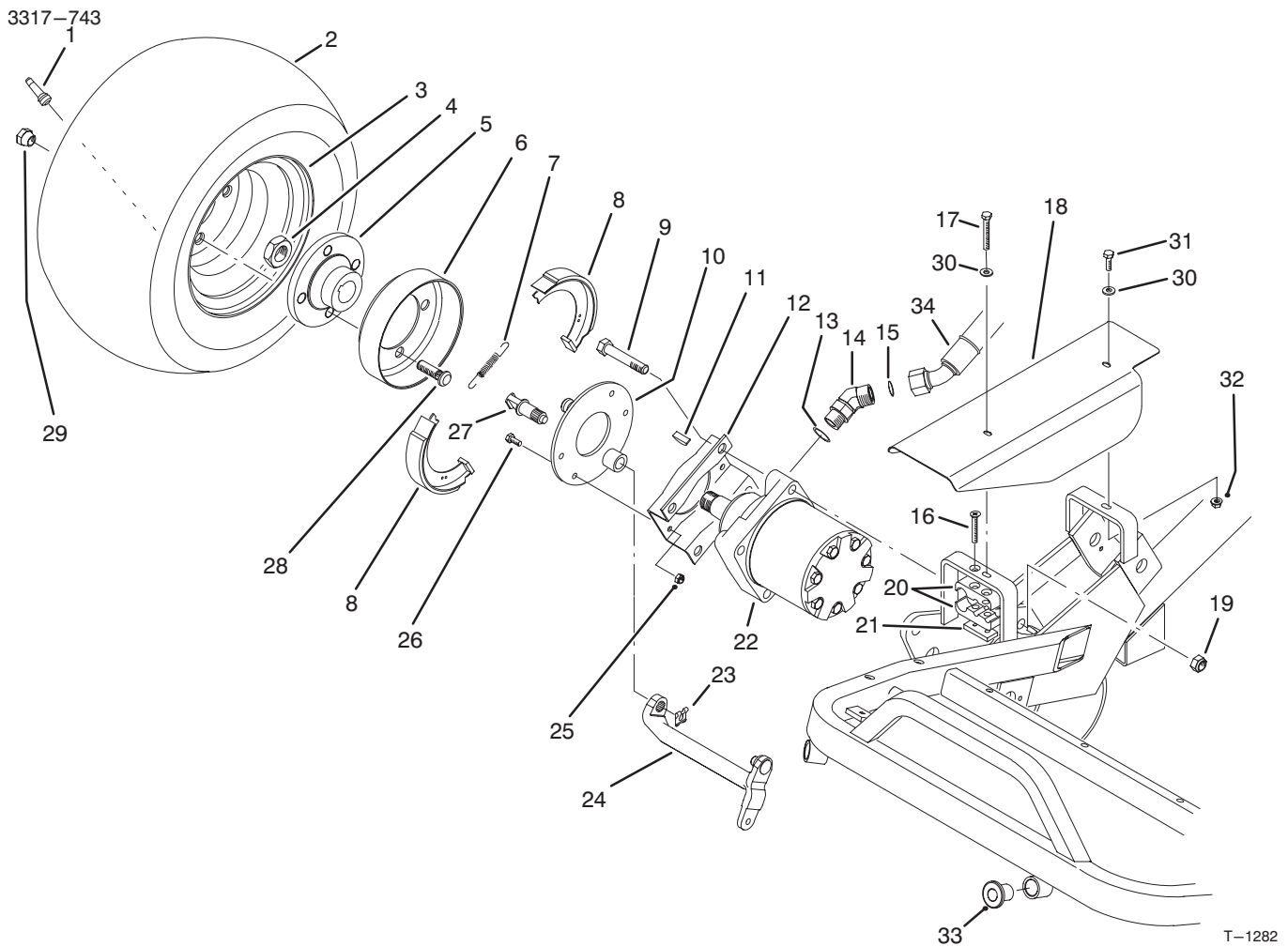
T-0640

HYDRAULIC CYLINDER NO. 83-7230

Ref. No.	Part No.	Description	No. Used
1	70-8130	Barrel	1
2	32152-10	Nut - Hex.	1
3		Uniring	1
4	70-2780	Piston	1
5		Seal - O-Ring	1
6		Seal - O-Ring	1
7		Washer - Back-Up	1

Ref. No.	Part No.	Description	No. Used
8	70-2770	Head	1
9		Seal - Dust	1
10	43-5220	Ring - Retaining	1
11	43-5230	Shaft & Clevis	1
*	86-5360	Repair Kit (Incl. Ref. #3, 5-7 & 9)	1

*Not Illustrated

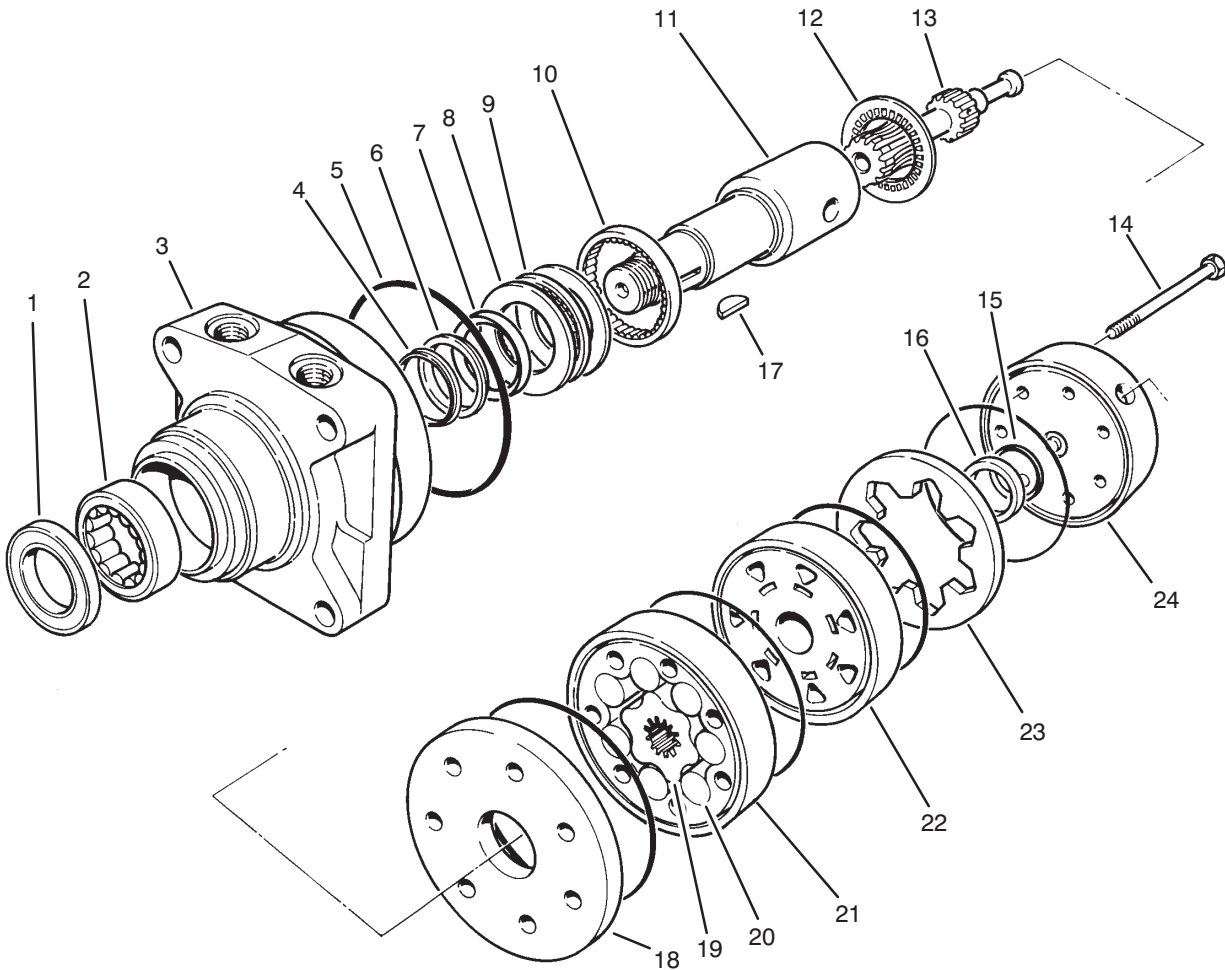


FRONT WHEEL & BRAKE ASSEMBLY

Ref. No.	Part No.	Description	No. Used
1	232-24	Stem - Valve	2
2	28-3680	Tire	2
3	217-60	Rim	2
4	26-3790	Nut - Lock	2
5	10-6870	Hub - Wheel	2
6	10-6850	Drum - Brake	2
7	70-9880	Spring - Return	4
8	70-9840	Shoe - Brake	4
9	325-11	Screw - Cap Hex. Hd.	8
10	70-9870	Plate - Backing	2
11	3257-42	Key - Woodruff	2
12	84-2000	Bracket - Brake	2
13	237-80	Seal - O-Ring	4
14	340-14	Fitting - Hydraulic 45° (Incl. Ref. #13 & 15)	4
15	237-65	Seal - O-Ring	4
16	32108-100	Screw - Flat Hd.	1
17	321-11	Screw - Hex. Washer Hd.	1
18	83-0190	Cover - R.H.	1
19	3296-23	Nut - Lock	8
20	57-6140	Clamp Half - Tube	2

Ref. No.	Part No.	Description	No. Used
21	83-1220	Plate - Clamp	1
22	92-9199	Motor - Hydraulic	2
23	70-9850	Clip - Retaining	2
24	71-1510	Arm - Brake	2
25	3296-42	Nut - Lock	8
26	321-5	Screw - Cap Hex. Hd.	8
27	70-9860	Cam - Brake	2
28	85-6540	Stud - Drive	8
29	242-50	Nut - Lug	8
30	3256-22	Washer - Flat	2
31	321-4	Screw - Cap Hex. Hd.	1
32	32128-33	Nut - Lock	1
33	83-1700	Bushing - Flange	2
34	83-2450	Hose - Hydraulic (Top)	1
*	83-2460	Hose - Hydraulic (Bottom)	1
*	10-6821	Brake Drum Assembly (Incl. Ref. #5, 6 & 28)	2
*	71-1500	Brake Assembly (Incl. Ref. #7, 8, 10, 23 & 27)	2

*Not Illustrated

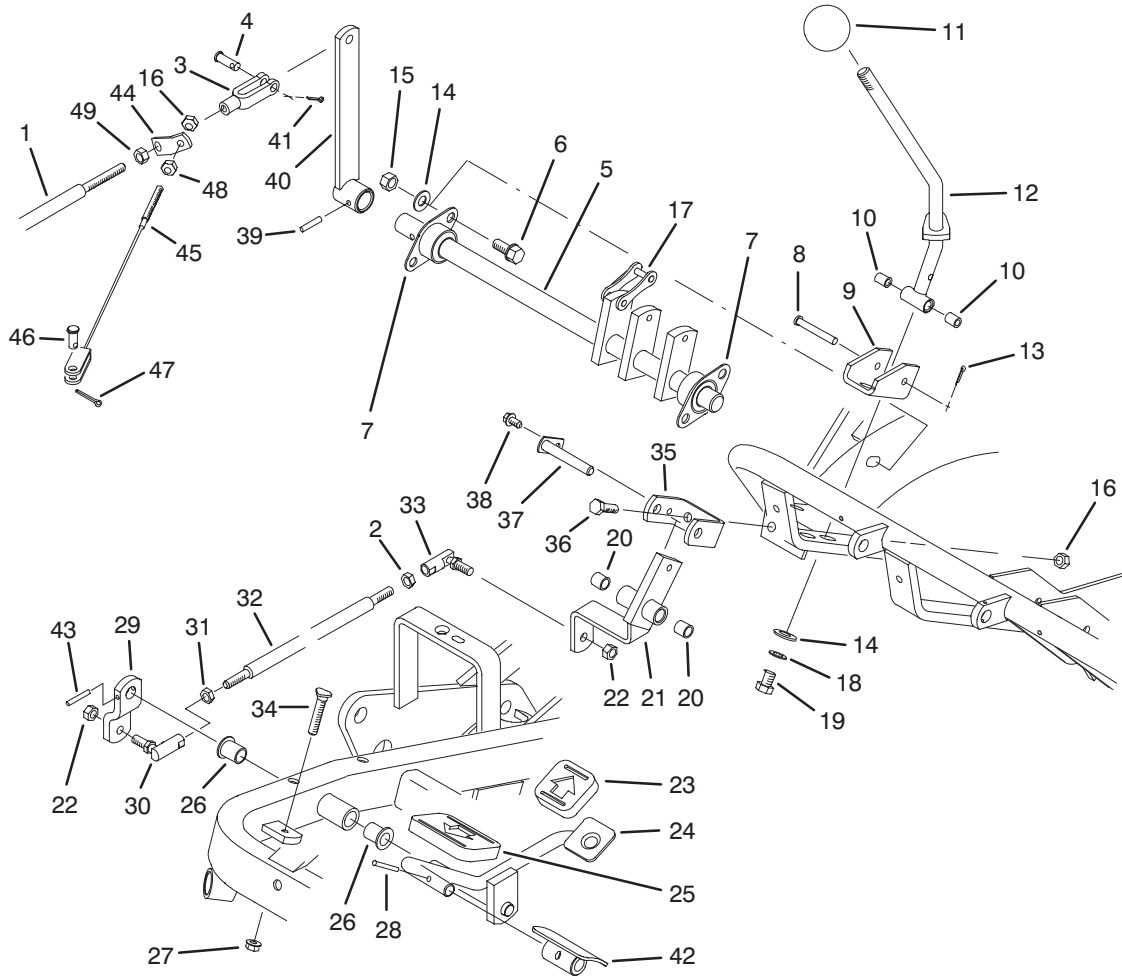


T-0983

HYDRAULIC DRIVE MOTOR ASSEMBLY NO. 92-9199

Ref. No.	Part No.	Description	No. Used	Ref. No.	Part No.	Description	No. Used
1		Seal - Dirt & Water	1	17	3257-42	Key - Woodruff	1
2		Bearing	1	18	76-0870	Plate - Wear	1
3		Housing	1	19		Rotor	1
4		Washer - Back-Up	1	20		Vane	7
5		Ring - Seal	5	21		Stator	1
6		Washer - Back-Up	1	22	76-0840	Manifold	1
7		Seal - Inner	1	23		Ring - Commutator	1
8		Washer - Thrust	2	24	76-0940	End Cover Assembly	1
9		Bearing - Thrust	1	*	92-9763	Rotor Set (Incl. Ref. #19-21)	1
10		Bearing	1	*	76-0880	Commutator Assembly (Incl. Ref. #15, 16 & 23)	1
11	76-0860	Shaft - Coupling	1	*	76-0800	Seal Kit (Incl. Ref. #1, 4-7 & 15)	1
12	76-0850	Bearing - Thrust	1	*	76-0810	Housing Assembly (Incl. Ref. #2, 3 & 8-10)	1
13	92-9761	Link - Drive	7				
14	92-9762	Screw - Cap Hex. Hd.	1				
15		Seal - Commutator	1				
16		Commutator	1				

*Not Illustrated

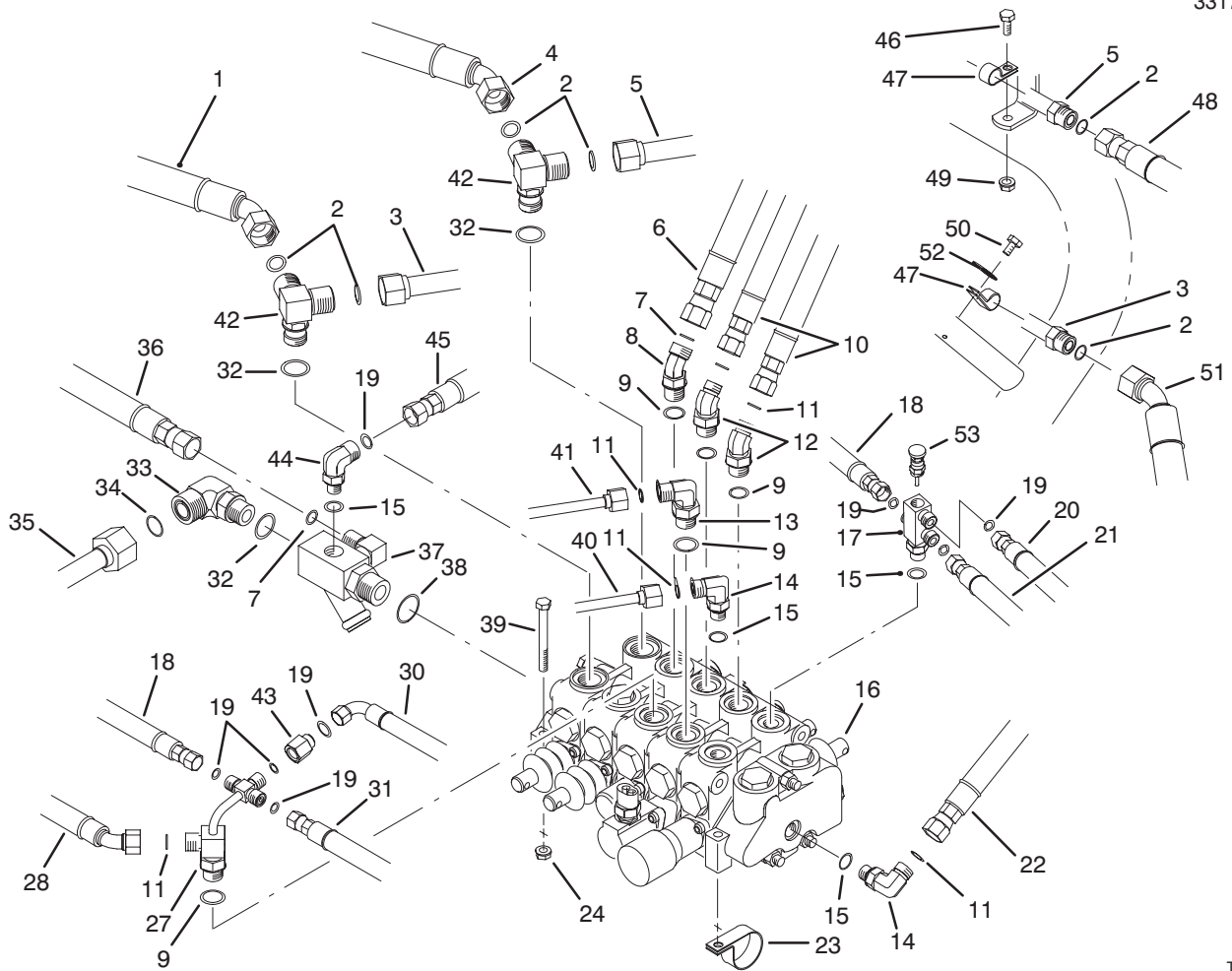


T-1287

TRACTION CONTROLS ASSEMBLY

Ref. No.	Part No.	Description	No. Used
1	49-5430	Rod - Control	1
2	3220-2	Nut - Jam	1
3	282-2	Clevis - Rod	1
4	283-61	Pin - Clevis	1
5	44-0870	Shaft - Cam	1
6	3234-1	Screw - Hex. Flange Hd.	4
7	27-2320	Bearing - Flange	2
8	283-57	Pin - Clevis	1
9	49-6220	Bracket - Control Arm	1
10	256-251	Bushing - Sleeve	2
11	233-48	Knob	1
12	93-9934	Traction Handle Assembly (Incl. Ref. #10)	1
13	3272-4	Pin - Cotter	1
14	3256-24	Washer - Flat	6
15	3296-59	Nut - Lock	4
16	3296-29	Nut - Lock	3
17	57-6220	Link	5
18	3254-6	Washer - I.T.L.W.	2
19	3211-2	Screw - Cap Hex. Hd.	2
20	256-2	Bushing - Sleeve	2
21	49-6260	Assy. - Pivot, Traction (Incl. Ref. #20)	1
22	3296-4	Nut - Lock	2
23	74-9110	Pad - Reverse Pedal	1
24	83-0540	Pedal - Traction	1

Ref. No.	Part No.	Description	No. Used
25	74-9100	Pad - Forward Pedal	1
26	256-155	Bushing - Flange	2
27	32128-20	Nut - Flange Lock	1
28	32121-45	Pin - Roll	1
29	83-0630	Arm - Traction Pivot	1
30	2411-42	Joint - Ball L.H. Thread	1
31	3220-20	Nut - Jam L.H. Thread	1
32	83-0580	Rod - Traction Control	1
33	2411-43	Joint - Ball R.H. Thread	1
34	77-0480	Screw - Traction Stop	1
35	49-6250	Bracket - Traction Pivot	1
36	322-5	Screw - Cap Hex. Hd.	2
37	49-6290	Shaft - Traction Pivot	1
38	12-3270	Screw - Hex. Washer Hd.	1
39	32121-6	Pin - Roll	1
40	47-5320	Lever - Control	1
41	3272-6	Pin - Cotter	1
42	49-6440	Pedal - Forward	1
43	32121-51	Pin - Roll	1
44	93-9936	Bracket - Cable	1
45	93-9937	Cable - Traction Return	1
46	283-62	Pin - Clevis	1
47	3272-10	Pin - Cotter	1
48	3217-6	Nut - Hex.	1
49	3219-2	Nut - Hex.	1

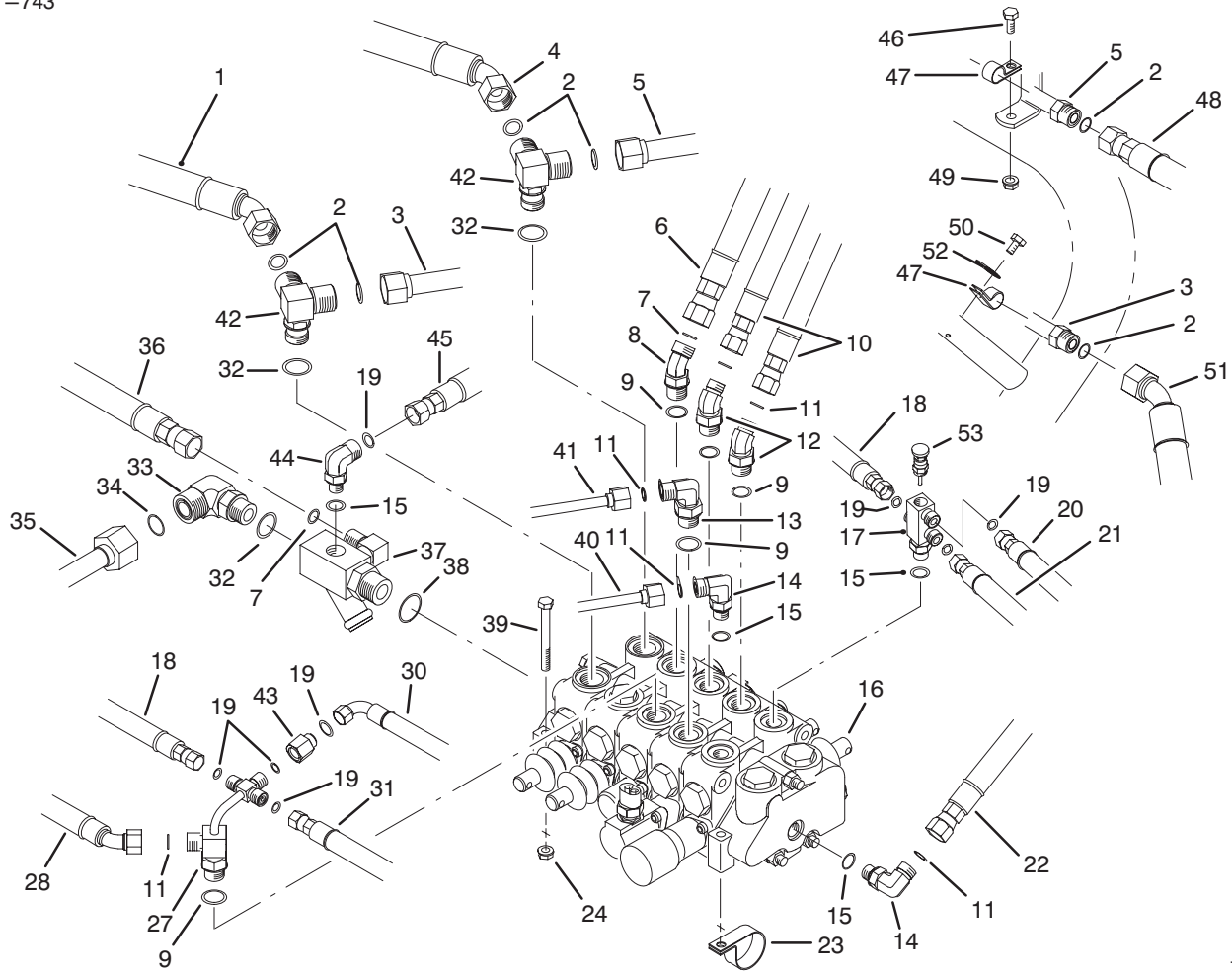


T-1294

CONTROL VALVE INSTALLATION ASSEMBLY

Ref. No.	Part No.	Description	No. Used
1	83-2450	Hose – Hydraulic	1
2	237-65	Seal – O-Ring	6
3	70-7130	Tube Assy. (Incl. Ref. #2)	1
4	83-2460	Hose – Hydraulic	1
5	83-1200	Tube Assy. (Incl. Ref. #2)	1
6	83-1180	Hose – Hydraulic	1
7	237-30	Seal – O-Ring	2
8	340-101	Fitting – Hydraulic 45° (Incl. Ref. #7 & 9)	1
9	237-79	Seal – O-Ring	4
10	83-1190	Hose – Hydraulic	2
11	237-22	Seal – O-Ring	6
12	340-138	Fitting – Hydraulic 45° (Incl. Ref. #9 & 11)	2
13	340-18	Fitting – Hydraulic 90° (Incl. Ref. #9 & 11)	1
14	340-77	Fitting – Hydraulic 90° (Incl. Ref. #11 & 15)	2
15	237-42	Seal – O-Ring	4
16	84-2203	Control Valve Assembly	1
17	92-0587	Fitting – Valve Body (Incl. Ref. #15 & 19)	1
18	63-3880	Hose – Hydraulic	1
19	237-21	Seal – O-Ring	6
20	88-9700	Hose – Hydraulic	1
21	83-1690	Hose – Hydraulic	1

Ref. No.	Part No.	Description	No. Used
22	83-1170	Hose – Hydraulic	1
23	304-61	Clamp – R	1
24	32128-20	Nut – Flange Lock	3
27	83-1670	Fitting – Special (Incl. Ref. #9, 11 & 19)	1
28	74-3830	Hose – Hydraulic	1
29	63-3880	Hose – Hydraulic	1
30	83-1680	Hose – Hydraulic	1
31	63-3850	Hose – Hydraulic	1
32	237-80	Seal – O-Ring	3
33	340-16	Fitting – Hydraulic 90° (Incl. Ref. #32 & 34)	1
34	237-58	Seal – O-Ring	1
35	63-4040	Tube – Hydraulic	1
36	63-3840	Hose – Hydraulic	1
37	68-5260	Fitting – Manifold Tee (Incl. Ref. #7 & 38)	1
38	237-81	Seal – O-Ring	1
39	322-14	Screw – Cap Hex. Hd.	3
40	63-4020	Tube – Hydraulic	1
41	63-4030	Tube – Hydraulic	1
42	63-4050	Fitting – Tee (Incl. Ref. #2 & 32)	2
43	71-0990	Orifice (Incl. Ref. #19)	1
44	340-137	Fitting – Hydraulic 45° (Incl. Ref. #15 & 19)	1



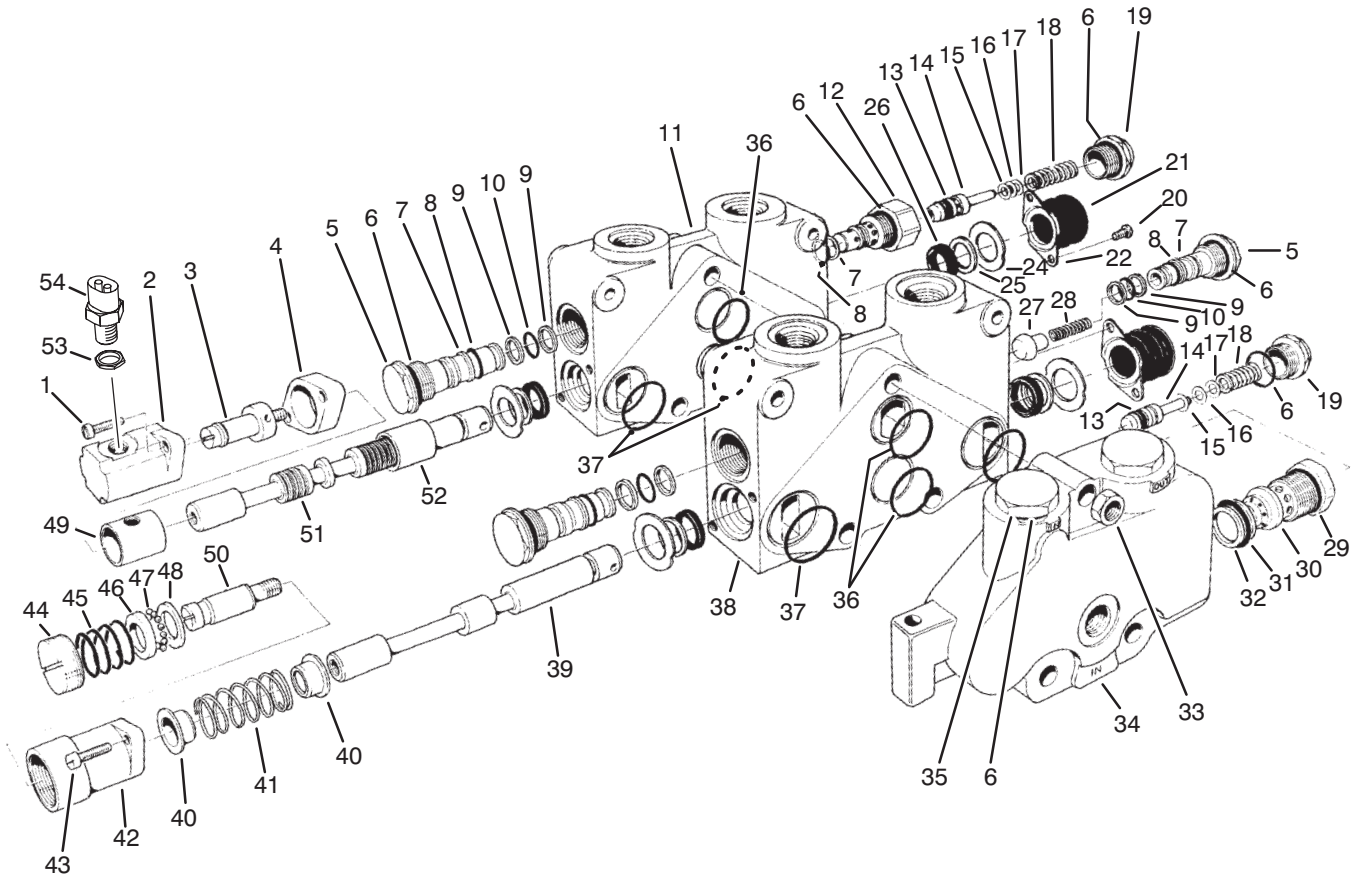
T-1294

CONTROL VALVE INSTALLATION ASSEMBLY (Continued)

Ref. No.	Part No.	Description	No. Used
45	83-1350	Hose – Hydraulic	1
46	3234-4	Screw – Cap Hex. Hd.	1
47	2412-41	Clamp–R	2
48	70-7150	Hose – Hydraulic	1
49	3296-16	Nut – Lock	1
50	12-3270	Screw – Thread Forming	1

Ref. No.	Part No.	Description	No. Used
51	70-8610	Hose – Hydraulic	1
52	3256-22	Washer – Flat	1
53	92-0588	Valve – Needle	1
*	88-9500	Needle Valve Assembly (Incl. Ref. #15, 17, 19 & 53)	1

*Not Illustrated

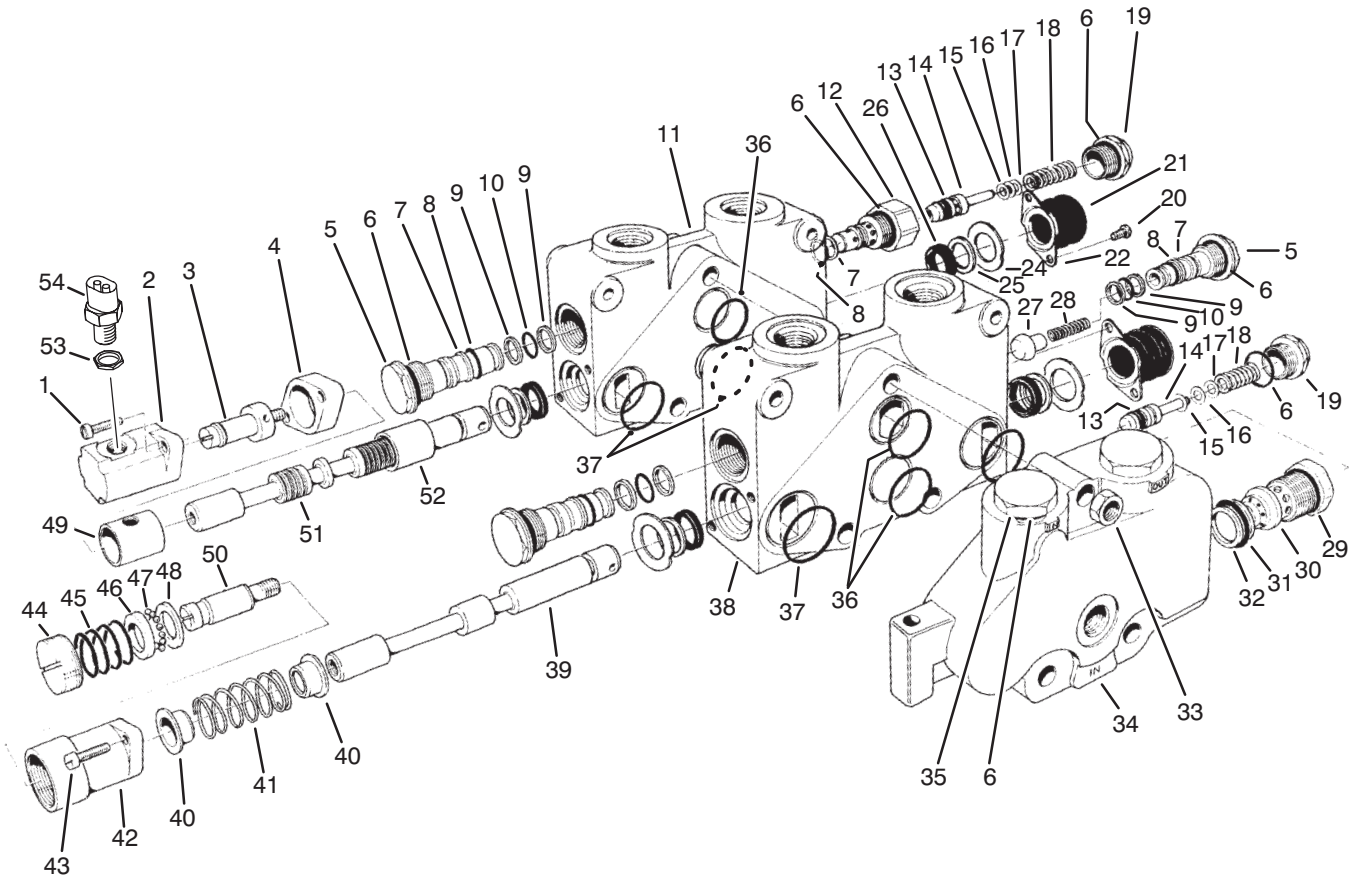


T-1318A

CONTROL VALVE ASSY. NO. 84-2203 (Sections 1 & 2)

Ref. No.	Part No.	Description	No. Used	Ref. No.	Part No.	Description	No. Used
1	3274-70	Screw - Hex, Socket Hd.	2	25	92-2546	Wiper - Seal	4
2	353-727	Bonnet	1	26	353-957	Seal - Lip	4
3	353-729	Spud - Detent	1	27	353-301	Poppet	1
4	353-733	Spacer - Bonnet	1	28	353-304	Spring	1
5	353-481	Plug - Load Check (Incl. Ref. #6-10)	3	29	353-331	O-Ring	1
6	237-54	O-Ring	8	30	353-760	Body Relief	1
7	353-306	Ring - Backup	4	31	353-758	Seal - O-Ring	1
8	353-305	O-Ring	4	32	353-952	Ring - Backup	1
9	353-303	Ring - Backup	6	33	3217-7	Nut - Hex	3
10	353-302	O-Ring	3	34	353-772	Left End Cover	1
11		Housing V20T	1	35	353-721	Plug (Incl. Ref. #6)	2
12	353-851	Body - Relief CP-RC Mod.	1	†36		O-Ring	3
13	353-392	Seal - Relief Poppet PTFE	2	†37		O-Ring	4
14	353-531	Poppet Assy. (Incl. Ref. #13)	2	†38		Housing Section #1	1
15	353-328	Washer - Shim	A/R	†39		Spool V20 SPL	1
16	353-329	Washer - Shim	A/R	40	353-417	Collar Spring	2
17	353-330	Washer - Shim	A/R	41	92-3058	Spring - Centering	1
18	353-855	Spring	2	42	353-780	Bonnet - R. Detent	1
19	353-334	Cap - Relief	2	43	3274-15	Screw - Fillister Hd.	2
20	3274-52	Screw - Hex, Socket Hd.	4	44	353-763	Cap - Adjustment	1
21	353-575	Boot - Dust Cap	4	45	353-579	Spring	1
22	93-3651	Retainer - Boot	2	46	42-2680	Race R. Detent	1
24	92-2547	Plate - Seal Retainer	4	47	52-5880	Ball - Steel	12
				48	354-29	Plate - Thrust	1

†Parts Available as Assemblies Listed as (*Not Illustrated) on Following Page



T-1318A

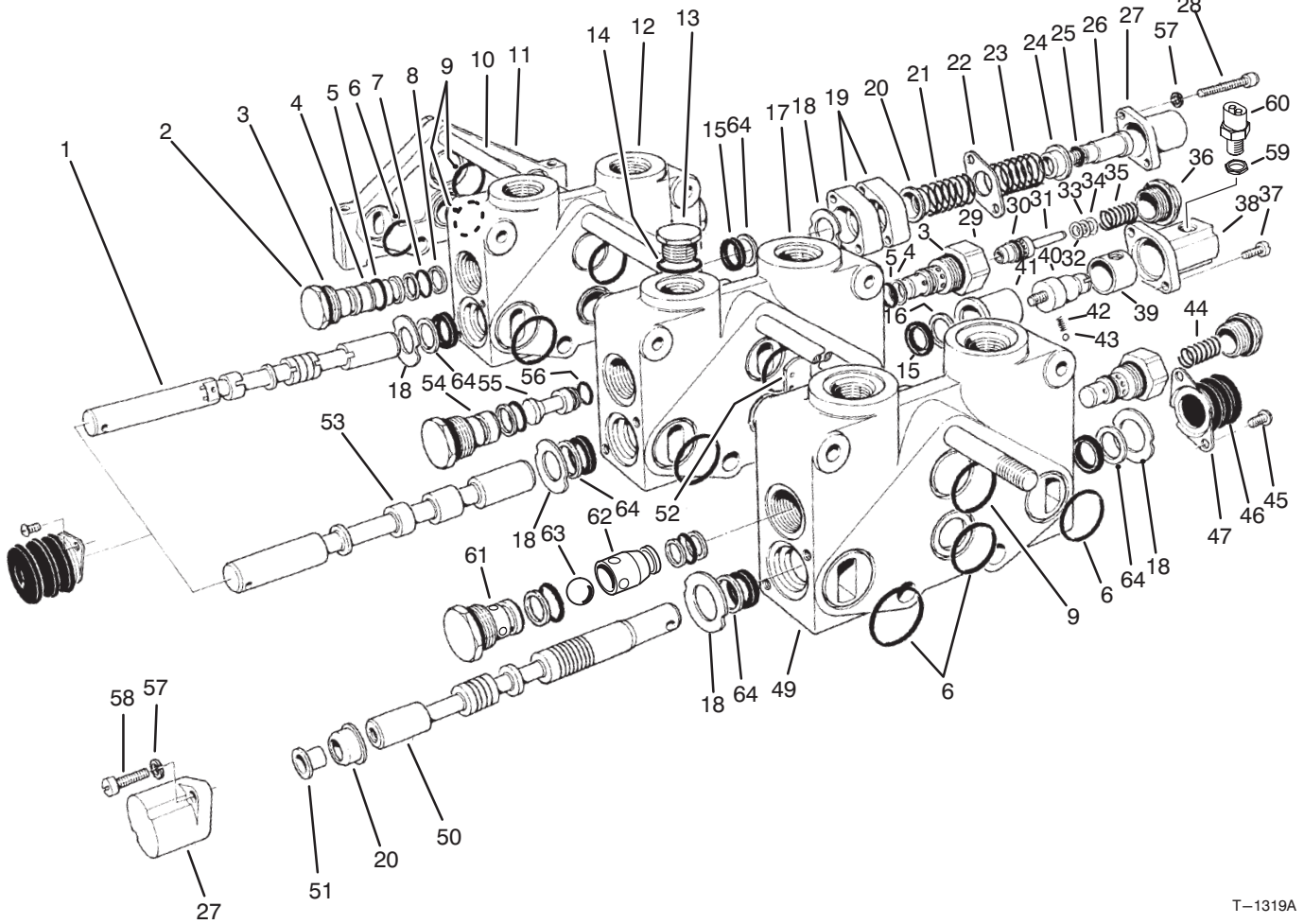
CONTROL VALVE ASSEMBLY NO. 84-2203 (Sections 1 And 2) (Continued)

Ref. No.	Part No.	Description	No. Used
49	353-728	Sleeve	1
50	353-762	Spud - Detent Out (Incl. Ref. #44)	1
†51		Spool V20 3 Way F.F.	1
52	353-732	Sleeve - Detent	1
53	38-0410	Nut - Hex.	1
54	83-1890	Switch - Ball	1
*	353-766	Relief WH (2000) PSI Assy. (Incl. Ref. #6,13-19 & 29-32)	1
*	353-768	Section #1 Complete	1
*	353-837	Section #2 Complete	1
*	353-780	Positioner - R. Detent (Out) (Incl. Ref. #3 & 40-49)	1

Ref. No.	Part No.	Description	No. Used
*	353-839	Positioner - DI (SPL) Assy. (Incl. Ref. #1, 3-5, 50 & 52)	1
*	353-642	Relief - RC Mod. (Incl. Ref. #6-8 & 12-19)	2
*	93-3652	Boot - Spool Assembly (Incl. Ref. #20-22)	2
*	353-835	Seals - Section Set (Incl. Ref. #36 & 37)	1
*	92-2548	Seals - Spool (Single End Set) (Incl. Ref. #24-26)	1
*	92-2545	Seals - Spool (Entire Valve Set)	1

*Not Illustrated

†Parts Available as Assemblies Listed as (*Not Illustrated) on This Page



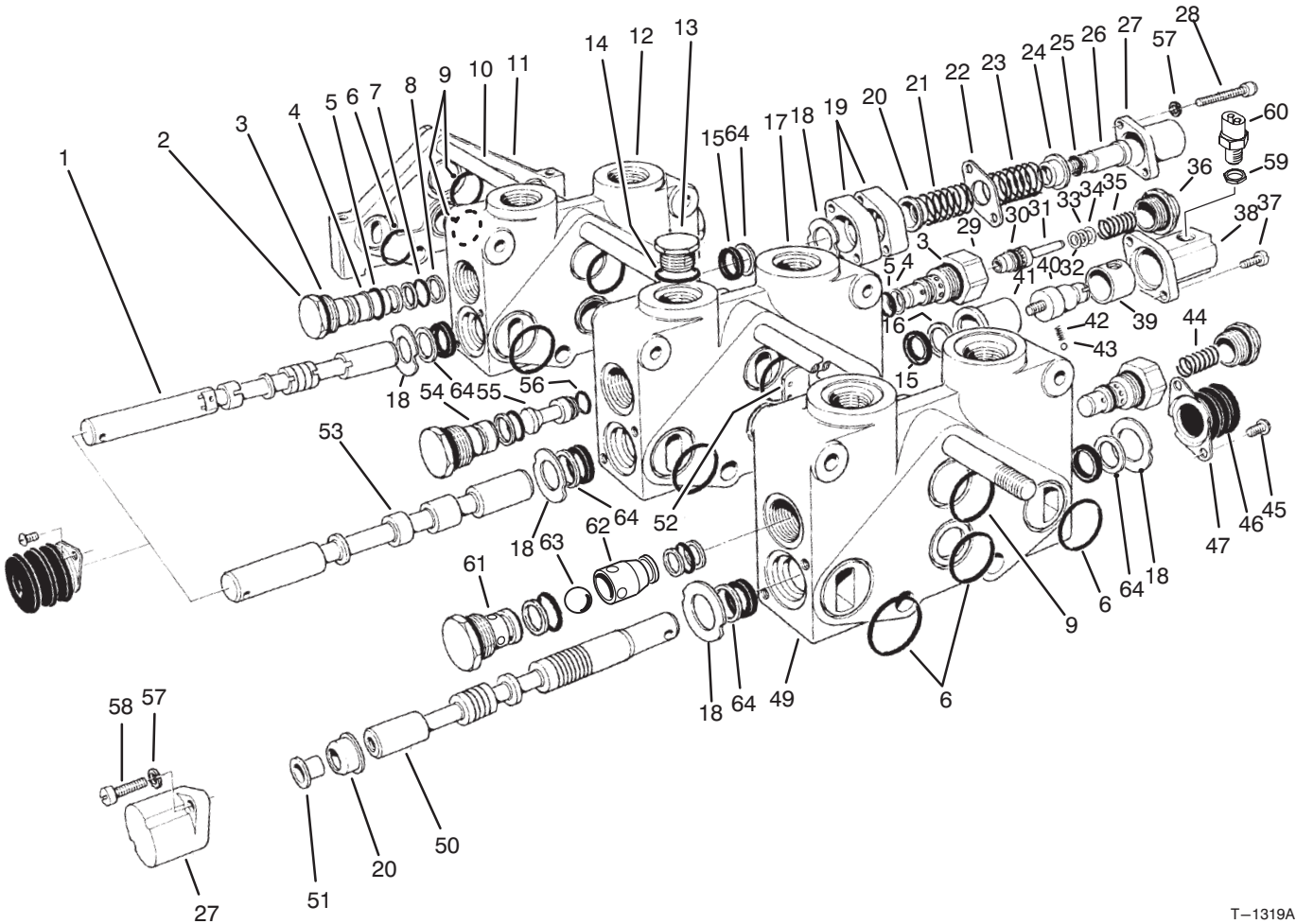
T-1319A

CONTROL VALVE ASSY. NO. 84-2203 (Sections 3 Thru 5)

Ref. No.	Part No.	Description	No. Used
†1		Spool #5	1
2	353-481	Plug - Load Check (Incl. Ref. #3-5 & 7-8)	3
3	237-54	O-Ring	6
4	353-306	Ring - Backup	5
5	353-305	O-Ring	5
†6		O-Ring	11
7	353-302	O-Ring	3
8	353-303	Ring - Backup	6
†9		O-Ring	5
10	353-853	Bolt - Hex Hd.	3
11	353-668	Plate - Cap, Cover RH	1
12		Housing V20 #5	1
13	353-550	Plug Assembly (Incl. Ref. #14)	1
14	353-848	O-Ring	1
15	353-957	Seal - Lip	6
16	353-958	Ring - Backup	1
†17		Housing V20 #4	1
18	92-2547	Plate - Seal Retainer	5
19	353-733	Spacer - Bonnet	2
20	353-417	Collar Spring	2
21	353-831	Spring	1
22	353-529	Plate Seal	1
23	92-3148	Spring	1

Ref. No.	Part No.	Description	No. Used
24	353-808	Collar - Spring	1
25	353-830	O-Ring	1
26	353-829	Collar Spool	1
27	354-26	Bonnet	2
28	354-28	Screw - Hex, Socket Hd.	2
29	353-851	Body - Relief CP-RC Mod.	2
30	353-392	Seal - Relief Poppet PTFE	2
31	353-531	Poppet Assembly (Incl. Ref. #30)	2
32	353-328	Washer - Shim	A/R
33	353-329	Washer - Shim	A/R
34	353-330	Washer - Shim	A/R
35	353-398	Spring	1
36	353-334	Cap - Relief	2
37	52-5900	Screw - Fillister Hd.	4
38	353-847	Bonnet (SPL)	1
39	353-849	Sleeve	1
40	353-846	Spud - DI (SPL)	1
41	353-845	Sleeve - Detent	1
42	353-730	Spring	1
43	353-731	Ball	1
44	353-855	Spring	1
45	3274-52	Screw - Hex. Socket Hd.	6
46	353-575	Boot - Dust Cap	3
47	93-3651	Retainer - Boot	3

†Parts Available as Assemblies Listed as (*Not Illustrated) on Following Page



T-1319A

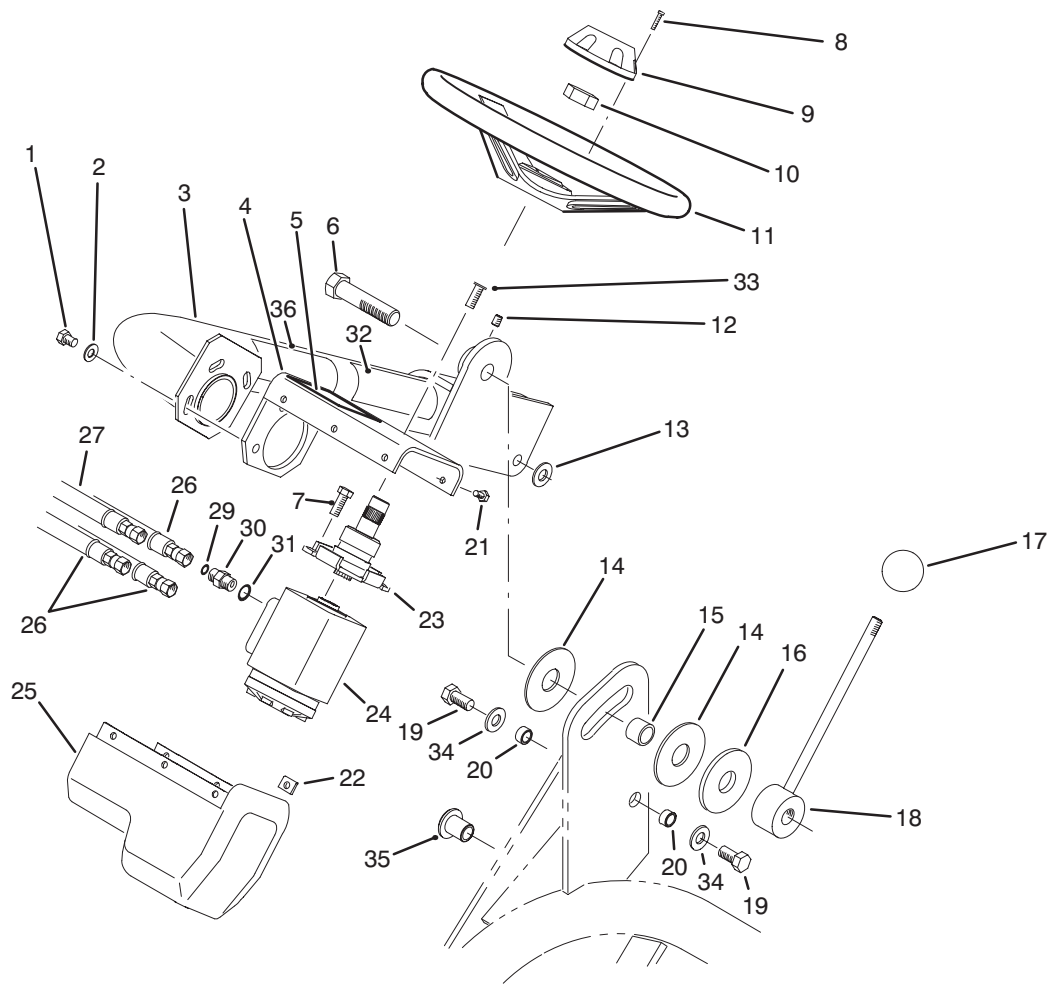
CONTROL VALVE ASSEMBLY NO. 84-2203 (Sections 3 Thru 5) (Continued)

Ref. No.	Part No.	Description	No. Used
49		Housing V20 #2	1
†50		Spool V20 3 Way F.F.	1
51	52-5860	Collar - Spool	1
52	354-122	Disc - Seal	1
†53		Spool #4	1
54	353-953	Plug Assembly	1
55	353-844	Plus Series (Incl. Ref. #56)	1
56	353-850	O-Ring	1
57	3253-3	Washer - Lock	4
58	3274-84	Screw - Cap, Hex. Hd.	4
59	38-0410	Nut - Hex.	1
60	83-1890	Switch - Ball	1
61	353-483	Body - Anticavitation	1
62	353-484	Retainer - Ball	1
63	353-737	Ball	1
64	92-2546	Wiper - Seal	5
*	354-129	Anticavitation Check Assy. (Incl. Ref. #3, 4, 5, 7, 8 & 61-63)	1
*	353-835	Seals - Section Set (Incl. Ref. #6 & 9)	1
*	93-3652	Boot - Spool Assembly (Incl. Ref. #45-47)	3
*	354-131	Section #3 Assembly (Complete)	1

Ref. No.	Part No.	Description	No. Used
*	354-25	Section #4 Assembly (Complete)	1
*	93-1386	Section #5 Assembly (Complete)	1
*	353-841	Position - Spool Assembly (Incl. Ref. #20 27 37 & 51)	1
*	353-840	Position - DI (SP) Assy. (Incl. Ref. #37-43)	1
*	353-642	Relief - RC Mod. Assembly (Incl. Ref. #3-5 & 29-36)	1
*	353-833	Positioner Assembly (Incl. Ref. #19-28)	1
*	84-2203	Control Valve Assembly Complete	1
*	92-2548	Seals - Spool (Single End Set) (Incl. Ref. #15, 18 & 64)	1
*	92-2549	Seals - Spool (End Set #4 Rear Only) (Incl. Ref. #15, 16 & 18)	1
*	92-2545	Seals - Spool (Entire Valve Set)	1

*Not Illustrated

†Parts Available as Assemblies Listed as (*Not Illustrated) on This Page

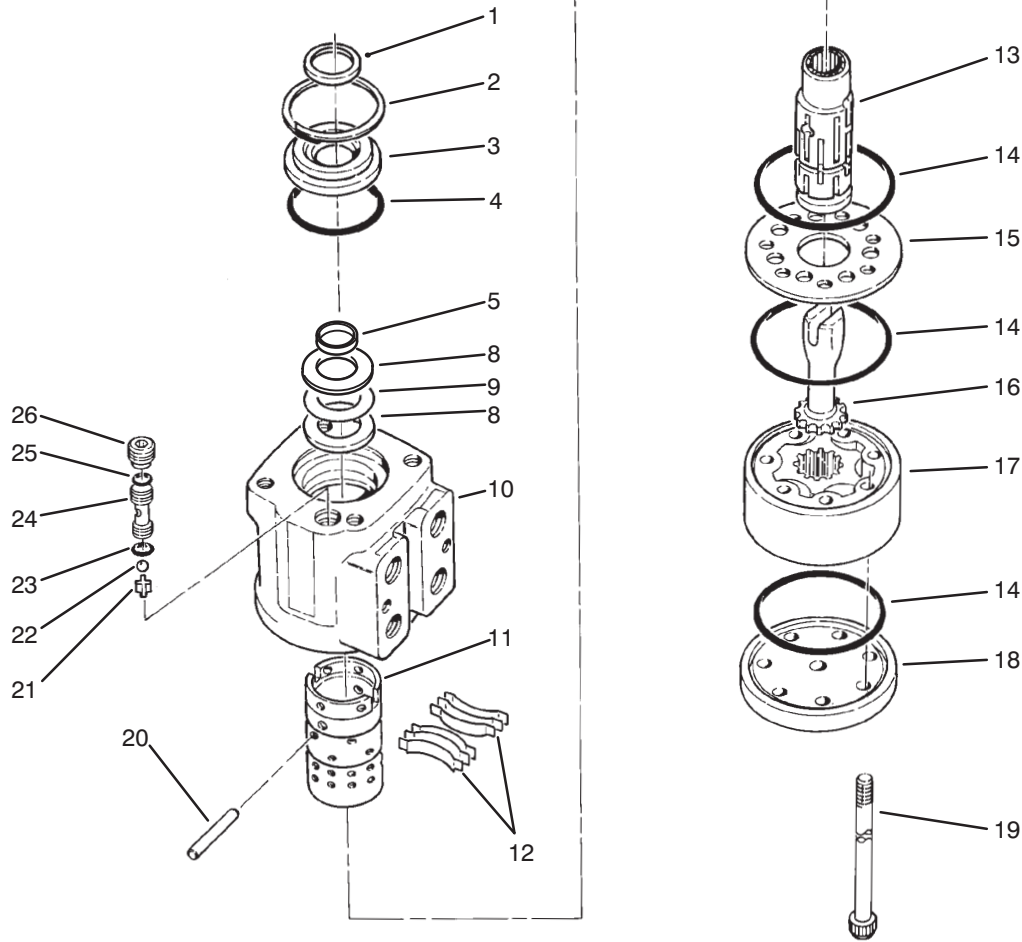


T-1291

STEERING ARM ASSEMBLY

Ref. No.	Part No.	Description	No. Used	Ref. No.	Part No.	Description	No. Used
1	3274-80	Screw - Cap Hex. Hd.	3	19	325-4	Screw - Cap Hex. Hd.	2
2	3256-80	Washer - Flat	3	20	47-2890	Bushing - Sleeve	2
3	83-0650	Arm - Steering	1	21	3274-39	Screw - Cap Hex. Hd.	6
4	83-0780	Support - Steering Valve	1	22	3290-277	Nut - Speed	6
‡5	83-1790	Decal - Warning	1	23	83-1420	Column - Steering	1
6	83-0750	Screw - Cap Hex. Hd. L.H.	1	24	92-8690	Steering - Valve Assembly	1
7	323-4	Screw - Cap Hex. Hd.	2	25	83-0810	Cover - Steering Valve	1
8	32144-21	Screw - Round Hd.	2	26	83-1350	Hose - Hydraulic	2
9	68-5140	Cap - Steering Wheel	1	27	83-1360	Hose - Hydraulic	1
10	47-6990	Nut - Steering Wheel	1	28	83-1370	Hose - Hydraulic	1
11	68-5130	Steering Wheel Assembly (Incl. Ref. #8 & 9)	1	29	237-21	Seal - O-Ring	4
12	3246-3	Screw - Set	1	30	340-1	Fitting - Hydraulic Straight (Incl. Ref. #29 & 31)	4
13	65-6390	Washer - Thrust	1	31	237-42	Seal - O-Ring	4
14	83-0740	Disc - Friction	2	‡32	83-2050	Decal - Steering Arm	1
15	83-0730	Spacer - Lockup	1	33	3274-63	Screw - Hex. Socket Hd.	2
16	83-0760	Plate - Lockup	1	34	3256-26	Washer - Flat	2
17	233-48	Knob	1	35	83-1700	Bushing - Flange	1
18	83-0700	Handle - Lockup	1				

‡For different language versions of this part, see International Parts Page.



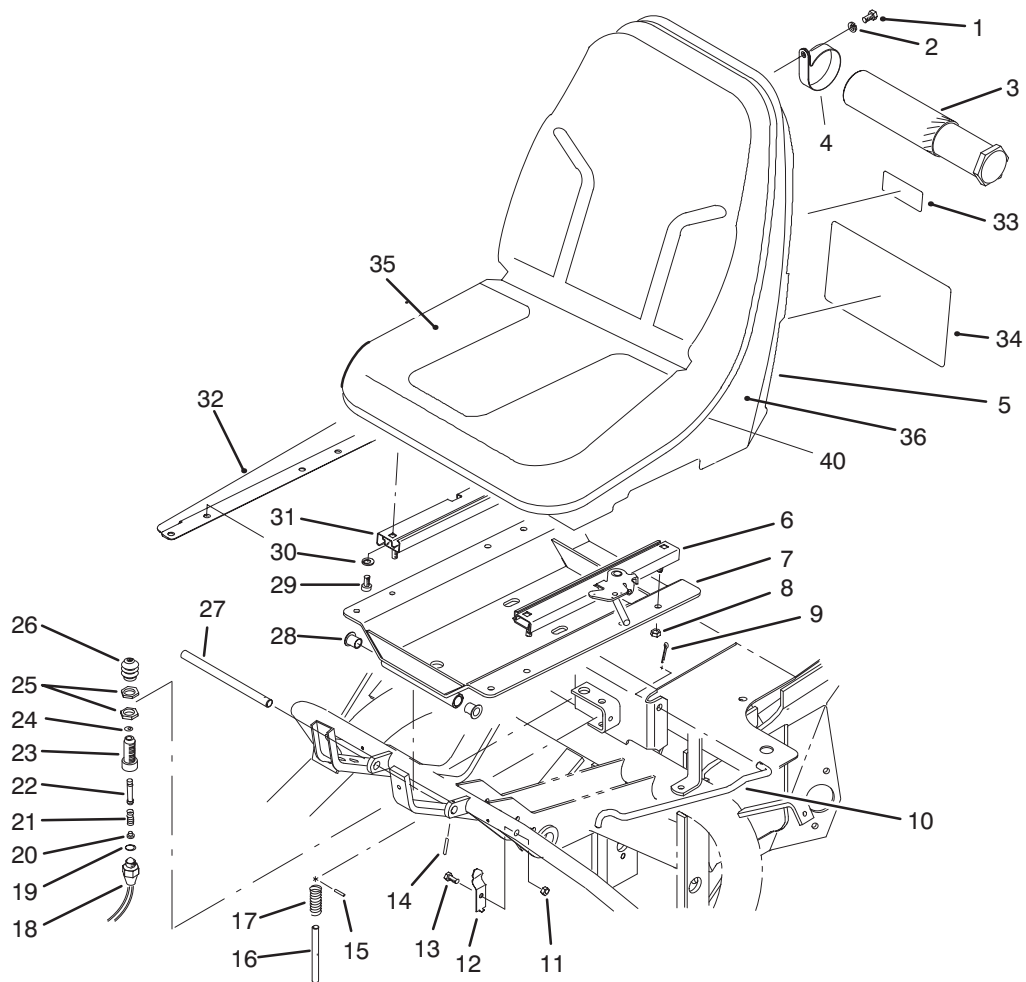
T-1442

POWER STEERING VALVE NO. 92-8690

Ref. No.	Part No.	Description	No. Used
†1		Seal – Dust	1
2	52-9230	Ring – Retaining	1
3	92-8691	Bushing – Seal Gland	1
†4		O-Ring	1
†5		Seal – One Piece	1
8	59-6730	Race – Bearing	2
9	59-6740	Bearing – Needle Thrust	1
†10		Housing	1
†11		Sleeve – Control	1
12	83-1860	Centering Spring Kit	1
†13		Spool – Control	1
†14		O-Ring	3
15	92-8697	Plate – Wear	1
16	70-8250	Drive	1
17	83-1870	Gerotor	1

Ref. No.	Part No.	Description	No. Used
18	67-8113	Cap – End	1
19	92-8696	Screw – Torx Hd.	7
20	59-6830	Centering Pin Kit	1
21	52-9290	Retainer – Ball Check	1
22	52-9280	Ball – Check	1
†23		O-Ring	1
24	52-9270	Seat – Ball Check	1
†25		O-Ring	1
26	52-9260	Screw – Set	1
*	83-1880	Control Parts Assembly (Incl. Ref. #10-13 & 20)	1
*	92-8695	Seal Kit (Incl. Ref. #1, 4, 5, 14, 23 & 25)	1

*Not Illustrated
†Not Serviced Separately



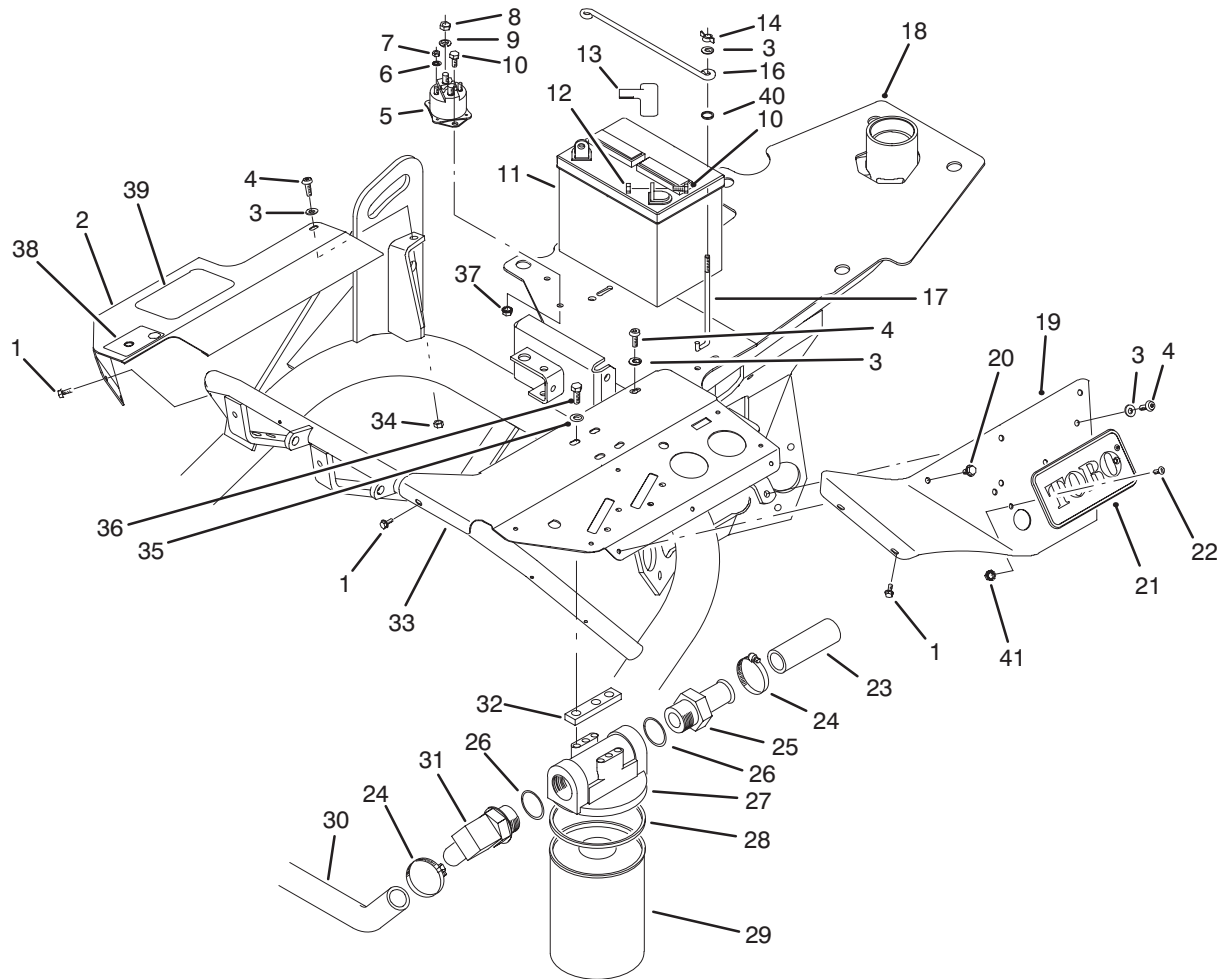
T-1290

SEAT ASSEMBLY

Ref. No.	Part No.	Description	No. Used	Ref. No.	Part No.	Description	No. Used
1	322-2	Screw - Cap Hex. Hd.	2	20	43-8610	Seat - Ball	1
2	3253-4	Washer - Lock	2	21	43-8600	Spring - Compression	1
3	74-0720	Tube - Manual	1	22	43-8860	Plunger - Switch	1
4	2412-133	Clamp - R	2	23	43-8620	Guide - Switch	1
5	92-1180	Seat Assembly (Incl. Ref. #35, 36 & 40)	1	24	237-7	Seal - O-Ring	1
6	51-0790	Adjuster - Seat	1	25	218-461	Nut - Hex.	2
7	83-1270	Seat Support Assembly (Incl. Ref. #28)	1	26	43-8870	Boot - Switch	1
8	3296-29	Nut - Lock	4	27	49-5880	Shaft - Seat Support	1
9	3272-11	Pin - Cotter	1	28	256-155	Bushing - Flange	2
10	68-5100	Rod - Seat Prop	1	29	3274-12	Screw - Hex. Socket Hd.	4
11	3296-16	Nut - Lock	1	30	3256-23	Washer - Flat	4
12	68-5310	Clip - Seat Rod	1	31	51-0780	Slider - Seat	1
13	321-3	Screw - Cap Hex. Hd.	1	32	83-1840	Cover - R.H.	1
14	32121-45	Pin - Roll	1	‡33	58-6530	Decal - Hydraulic Oil	1
15	3284-3	Pin - Groove	1	‡34	83-1780	Decal - Service	1
16	51-0350	Pin - Seat Spring	1	35	92-6533	Kit - Cushion	1
17	3-6685	Spring - Compression	1	36	92-6534	Shell	1
18	72-4320	Switch - Ball	1	40	351-78	Edging	1
19	237-30	Seal - O-Ring	1	*	43-9071	Seat Switch Assembly (Incl. Ref. #18-26)	1

*Not Illustrated

‡For different language versions of this part, see International Parts Page.

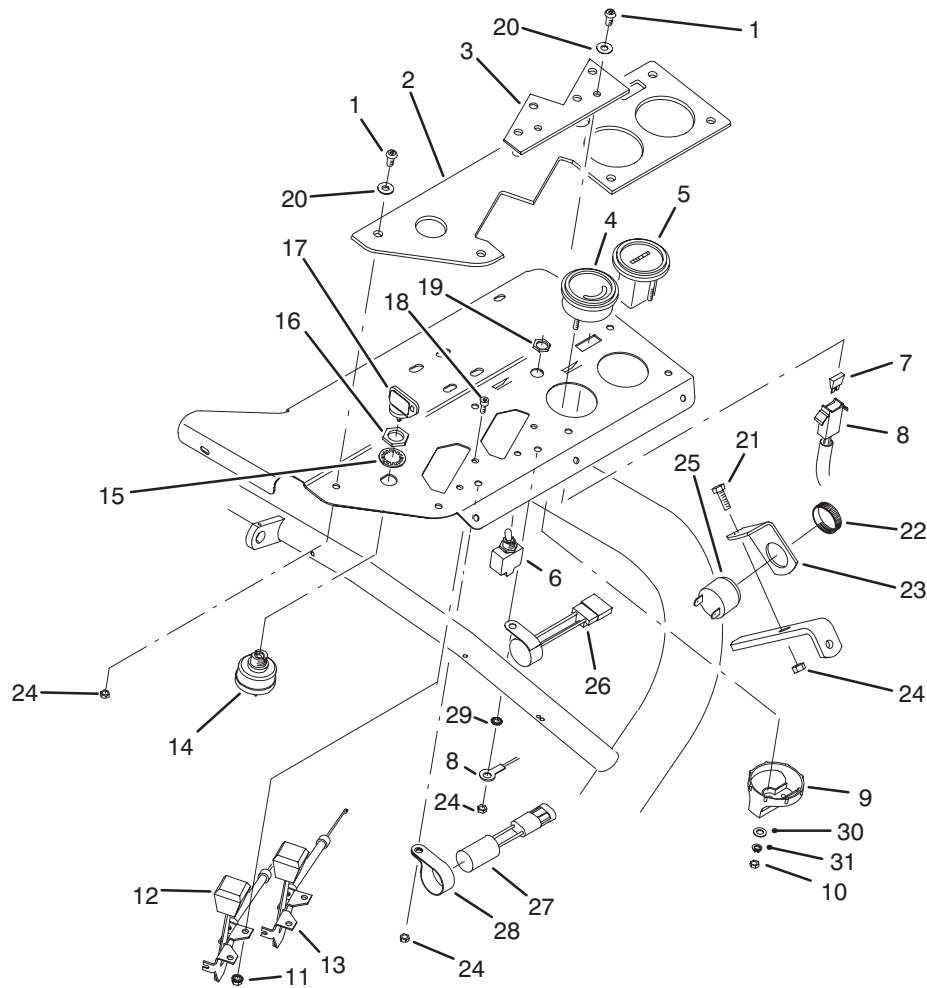


T-1295

FRAME ASSEMBLY

Ref. No.	Part No.	Description	No. Used	Ref. No.	Part No.	Description	No. Used
1	32104-76	Screw - Self Tapping	5	24	2412-34	Clamp - Hose	2
2	94-2694	Cover - R.H.	1	25	353-563	Fitting - Hydraulic Straight (Incl. Ref. #26)	1
3	3256-22	Washer - Flat	5	26	237-101	Seal - O-Ring	2
4	3274-64	Screw - Hex. Socket Hd.	3	27	44-5560	Head - Oil Filter	1
5	28-4210	Solenoid - Starter	1	28	72-3850	Seal - Filter	1
6	3254-1	Washer - Lock	2	29	74-3570	Filter - Hydraulic Oil (Incl. Ref. #28)	1
7	3219-14	Nut - Hex.	2	30	68-5880	Hose - Hydraulic	1
8	3218-13	Nut - Jam	2	31	353-564	Fitting - Hydraulic 90° (Incl. Ref. #26)	1
9	3253-4	Washer - Lock	2	32	27-2380	Spacer	2
10	321-3	Screw - Cap Hex. Hd.	4	33	83-0830	Panel - Control Upper	1
11	28-1400	Battery	1	34	3296-16	Nut - Lock	3
12	3217-5	Nut - Hex.	2	35	3256-23	Washer - Flat	4
13	28-8080	Boot Terminal	1	36	322-4	Screw - Cap Hex. Hd.	4
14	32103-12	Nut - Wing	2	37	32149-2	Nut - Keps	2
16	72-4790	Hold-Down - Battery	1	‡38	83-1850	Decal - Traction	1
17	56-7720	Bolt - Battery	2	39	67-1300	Decal - TORO	1
18	92-9164	Frame Assembly	1	40	237-143	Grommet	2
19	83-0840	Fender - L.H.	1	41	32149-7	Nut - Keps	2
20	46-8560	Screw - Self Taping	3				
21	61-3310	Plate - Logo	1				
22	3290-470	Screw - Flat Hd.	2				
23	83-1430	Hose - Hydraulic	1				

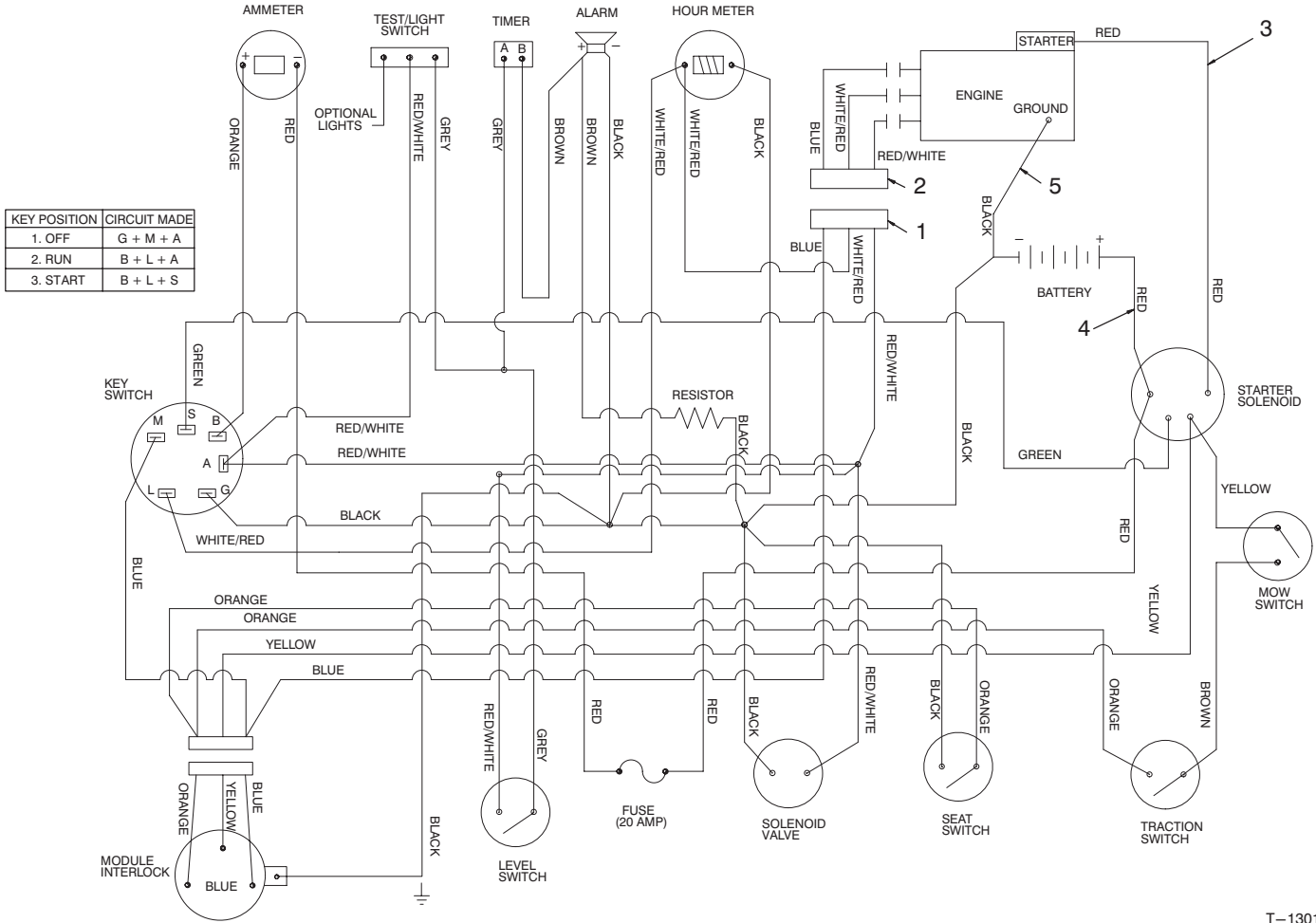
‡For different language versions of this part, see International Parts Page.



T-1296

CONTROL PANEL ASSEMBLY

Ref. No.	Part No.	Description	No. Used	Ref. No.	Part No.	Description	No. Used
1	3274-69	Screw - Hex. Socket Hd.	8	15	3254-5	Washer - Lock	1
2	83-0850	Plate - Control Panel	1	16	218-461	Nut - Hex.	1
3	83-2030	Plate - Filler	1	17	63-8360	Key - Ignition	1
4	83-0820	Gauge - Ammeter	1	18	3273-26	Screw - Hex. Socket Hd.	4
5	66-2950	Gauge - Hourmeter	1	19		Nut - Hex.	2
6	83-1660	Switch Assembly (Incl. Ref. #19)	1	20	3256-1	Washer - Flat	8
7	218-594	Fuse - 20 Amp	1	21	321-4	Screw - Cap Hex. Hd.	1
8	83-1100	Harness - Wire (Main)	1	22		Retainer - Alarm	1
9	39-9600	Clamp - Mounting	1	23	83-1530	Bracket - Alarm	1
10	3219-14	Nut - Hex.	6	24	3296-16	Nut - Lock	9
11	3296-27	Nut - Lock	4	25	80-9330	Audio Alarm Assembly (Incl. Ref. #22)	1
12	83-0030	Control - Throttle	1	26	28-7890	Module - Interlock	1
13	83-0040	Control - Choke	1	27	83-2280	Timer - Relay	1
14	83-0020	Ignition Switch Assembly (Incl. Ref. #15-16)	1	28	2412-39	Clamp - R	1
				29	3255-7	Washer - Lock	1

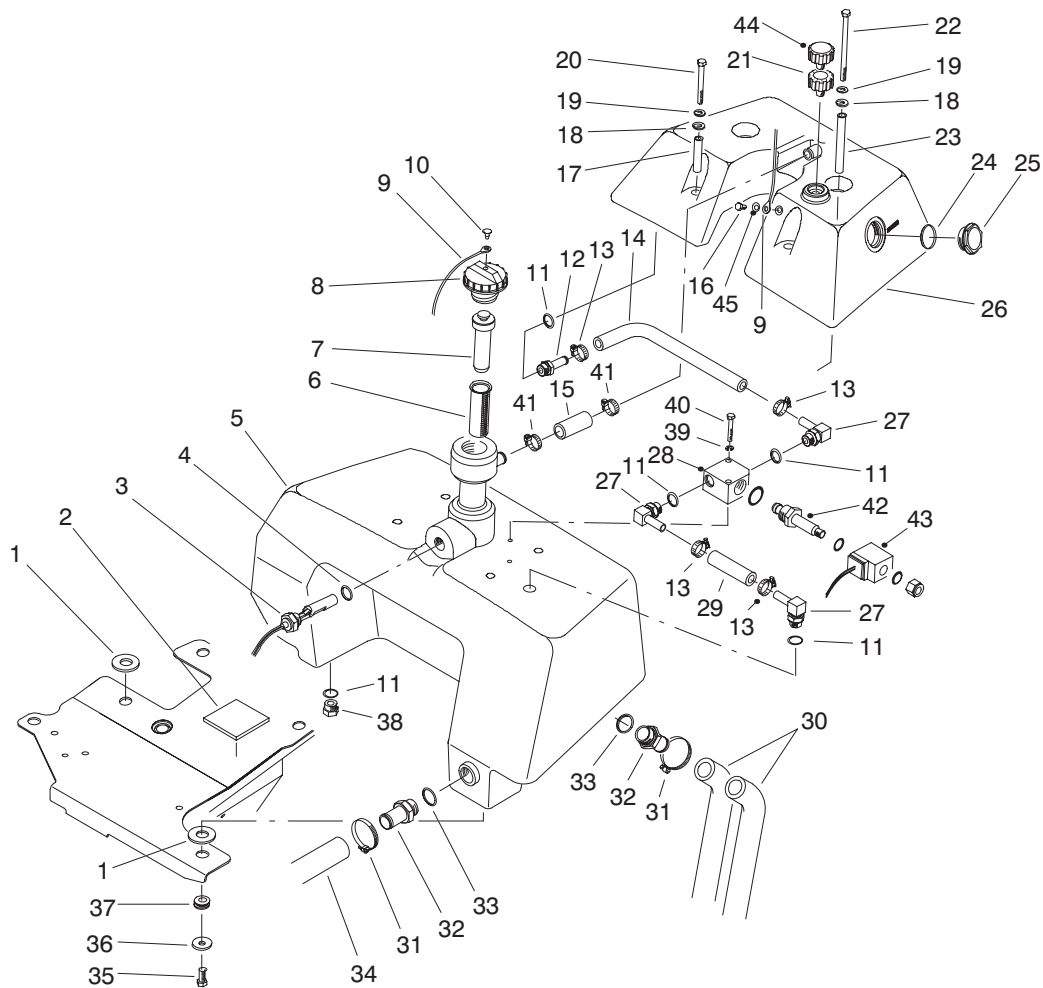


T-1301

ELECTRICAL SCHEMATIC

Ref. No.	Part No.	Description	No. Used
1	83-1100	Harness - Wire (Main)	1
2	83-1110	Harness - Wire (Engine)	1
3	83-1160	Wire - Solenoid-Starter	1

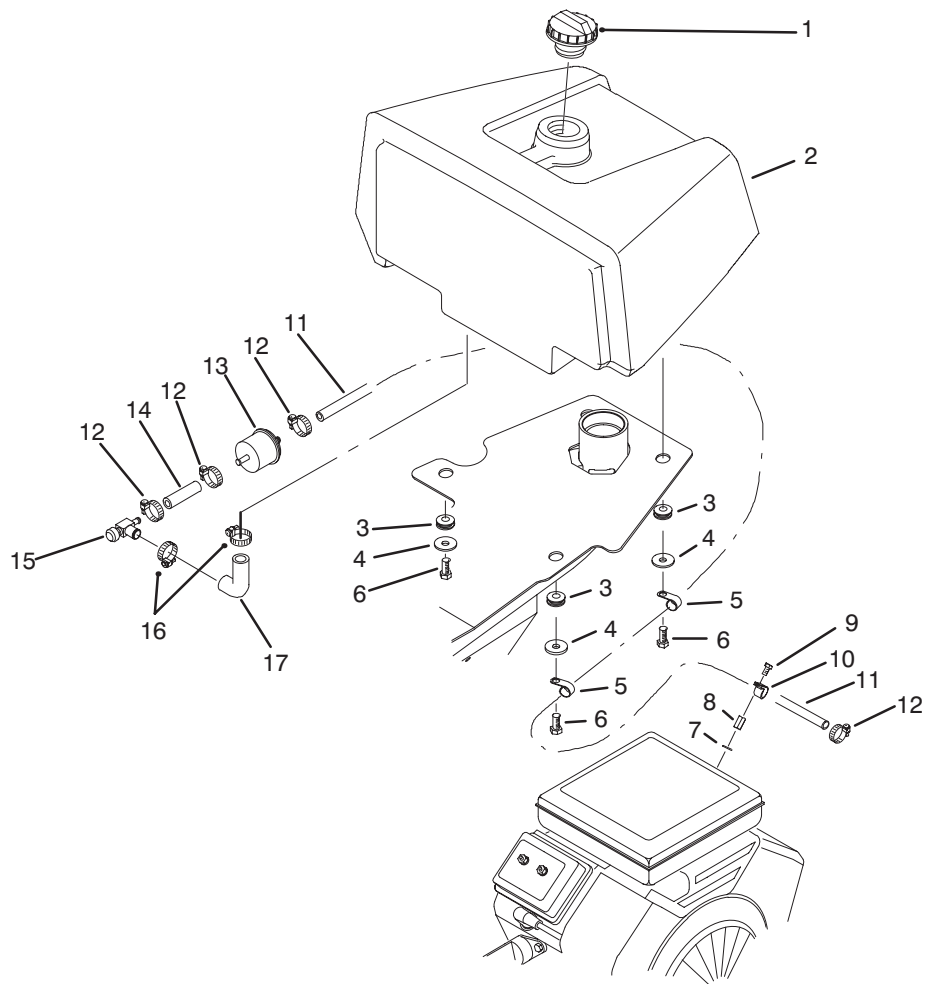
Ref. No.	Part No.	Description	No. Used
4	83-2420	Wire - Solenoid-Battery	1
5	83-1150	Wire - Engine Ground	1



T-1289

HYDRAULIC RESERVOIR ASSEMBLY

Ref. No.	Part No.	Description	No. Used	Ref. No.	Part No.	Description	No. Used
1	83-2400	Spacer – Tank	2	25	83-2250	Gauge – Sight (Incl. Ref. #24)	1
2	83-2390	Pad – Tank	1	26	83-2100	Tank – Auxiliary Hydraulic	1
3	83-1450	Sensor – Oil Level	1	27	354-120	Fitting – Hydraulic 90° (Incl. Ref. #11)	3
4	237-80	Seal – O-Ring	1	28	83-1460	Solenoid Valve Assembly (Incl. Ref. #42 & 43)	1
5	92-8966	Reservoir – Hydraulic	1	29	83-2080	Hose – Valve-Tank	1
6	83-1520	Screen – Filler	1	30	83-0910	Hose – Hydraulic	2
7	92-4063	Plug – Filler Cap	1	31	2412-34	Clamp – Hose	3
8	93-7160	Cap – Hydraulic Reservoir (Incl. Ref. #9 & 10)	1	32	83-0870	Fitting – Hydraulic Straight (Incl. Ref. #33)	3
9	75-0540	Tether – Cap	1	33	237-177	Seal – O-Ring	3
10	2410-73	Retainer – Tether	1	34	83-1430	Hose – Hydraulic	1
11	237-79	Seal – O-Ring	5	35	323-6	Screw – Cap Hex. Hd.	3
12	354-121	Fitting – Hydraulic Straight (Incl. Ref. #11)	1	36	63-8410	Washer – Flat	3
13	2412-36	Clamp – Hose	4	37	240-11	Grommet	3
14	83-2070	Hose – Valve	1	38	353-550	Plug – Hydraulic (Incl. Ref. #11)	1
15	83-2090	Hose – Overflow	1	39	3253-3	Washer – Lock	2
16	321-2	Screw – Cap Hex. Hd.	1	40	321-11	Screw – Cap Hex. Hd.	2
17	83-1550	Spacer – Tank (Short)	2	41	2412-141	Clamp – Hose	2
18	83-1470	Washer – Neoprene	4	42	83-2000	Spool – Valve	1
19	3256-23	Washer – Flat	4	43	83-2010	Coil – Valve	1
20	322-14	Screw – Cap Hex. Hd.	2	44	68-6150	Breather	1
21	92-8020	Adapter – Breather	1	45	3256-22	Washer – Flat	1
22	322-29	Screw – Cap Hex. Hd.	2				
23	83-1560	Spacer – Tank (Long)	2				
24	237-123	Seal – O-Ring	1				



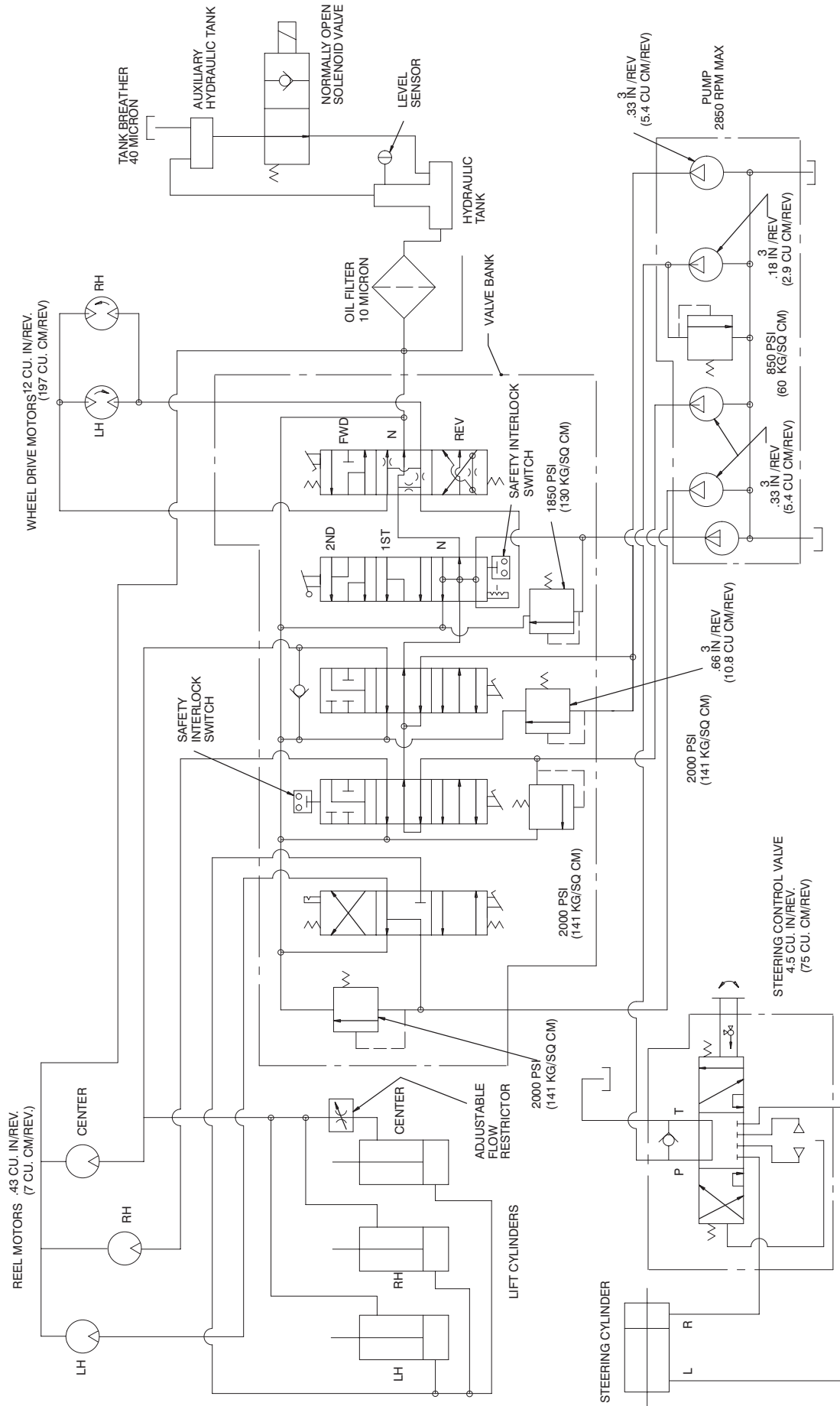
T-1317

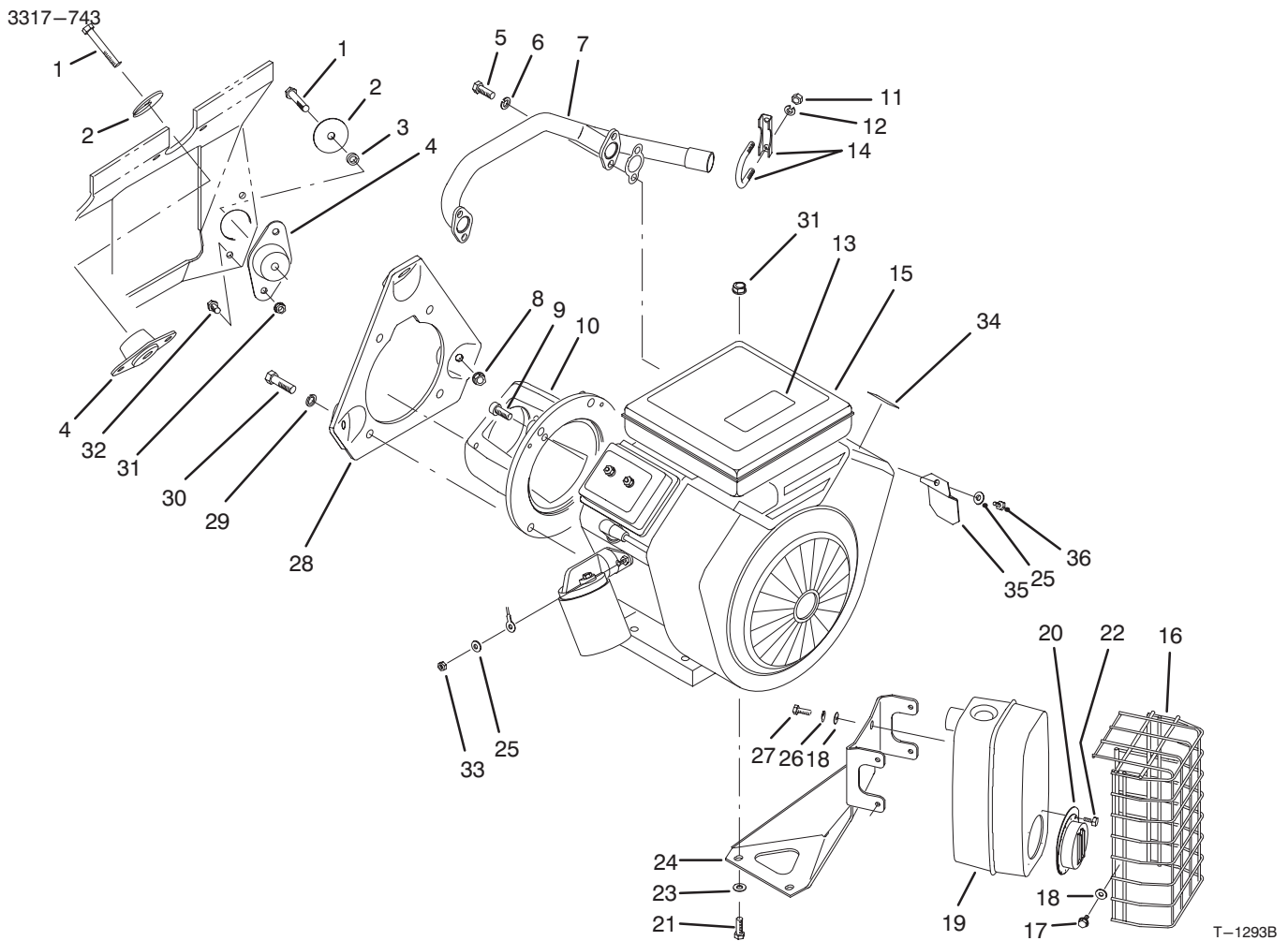
FUEL TANK ASSEMBLY

Ref. No.	Part No.	Description	No. Used
1	93-3101	Cap - Fuel	1
2	92-7189	Tank - Fuel	1
3	240-11	Grommet	4
4	63-8410	Washer - Flat	4
5	2412-41	Clamp - R	3
6	323-6	Screw - Cap Hex. Hd.	3
7	3256-63	Washer - Flat	1
8	83-2200	Nut - Special	1
9	48-7610	Screw - Cap Hex. Hd.	1

Ref. No.	Part No.	Description	No. Used
10	2412-94	Clamp - R	1
11	83-2041	Hose - Fuel	1
12	2412-108	Clamp - Hose	4
13	94-2690	Filter - Fuel	1
14	83-2040	Hose - Fuel	1
15	83-1390	Fitting - Fuel Shut-Off	1
16	2412-36	Clamp - Hose	2
17	56-2230	Hose - Fuel	1

HYDRAULIC SCHEMATIC





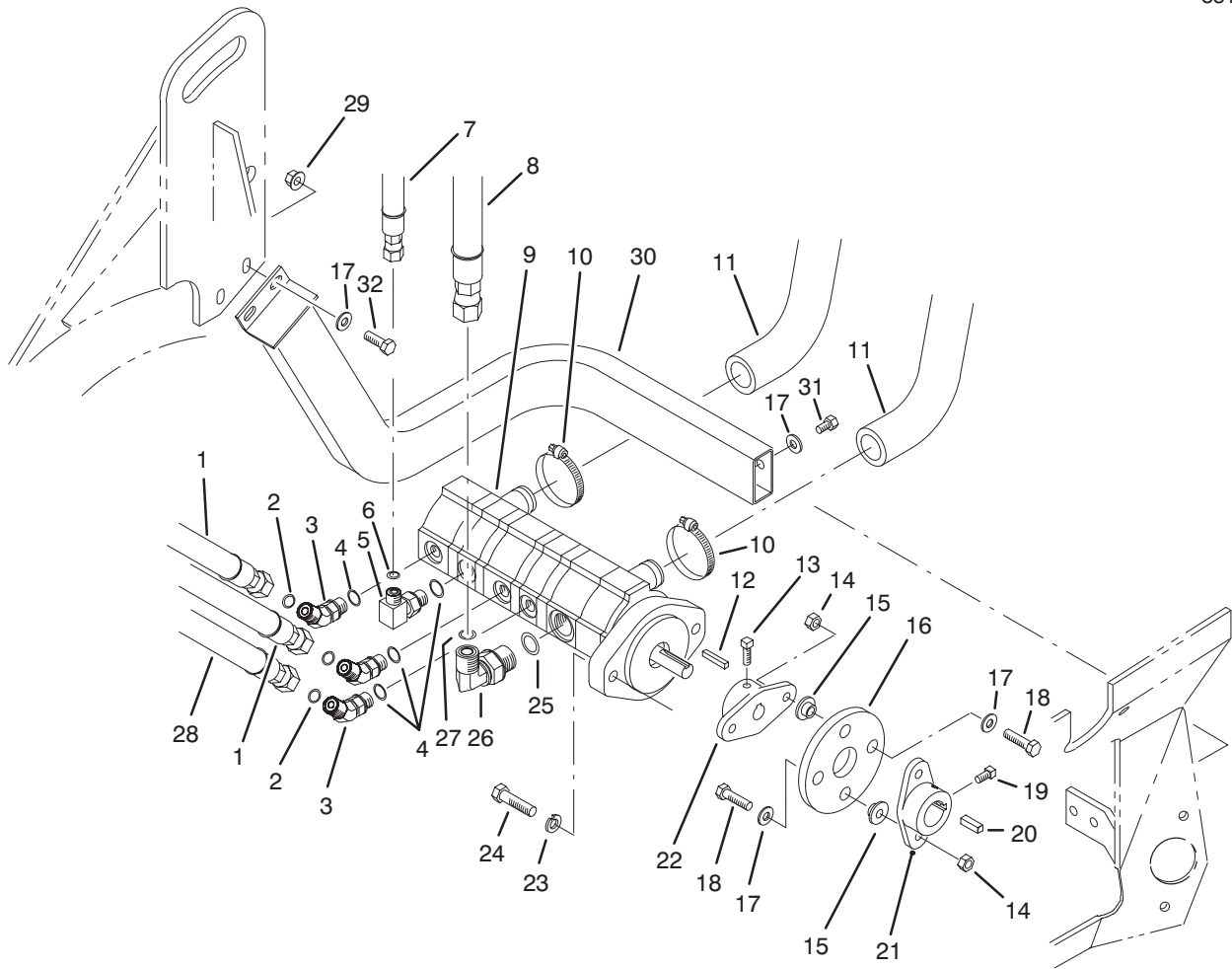
ENGINE INSTALLATION ASSEMBLY

Ref. No.	Part No.	Description	No. Used
1	323-12	Screw – Cap Hex. Hd.	3
2	83-1040	Washer – Mount	3
3	83-1050	Spacer – Mount	2
4	83-1030	Mount – Engine	3
5		Screw – Cap Hex. Hd.	4
6		Washer – Lock	4
7	83-1080	Pipe – Exhaust	1
8	3290-357	Nut – Flange Lock	3
9	3274-7	Screw – Socket Hd.	2
10	83-1060	Adapter – Pump	1
11		Nut – Hex.	2
12		Washer – Lock	2
†13	71-3620	Decal – Engine RPM	1
14	2112-11	Clamp – Muffler (Incl. Ref. #11 & 12)	1
15	83-0010	Engine Assembly (Incl. Ref. #5 & 6)	1
16	83-1400	Shield – Muffler	1
17	12-3270	Screw – Hex. Washer Hd.	4
18	3256-1	Washer – Flat	8
19	493963	Muffler	1
*	83-2240	Arrestor – Spark (Optional)	1

Ref. No.	Part No.	Description	No. Used
20	83-2220	Deflector – Exhaust	1
21	322-8	Screw – Cap Hex. Hd.	2
22	83-2230	Screw – Cap Hex. Hd.	4
23	3256-23	Washer – Flat	2
24	83-1630	Bracket – Muffler Support	1
25	43-5930	Washer – Lock	2
26	3253-3	Washer – Lock	4
27	321-4	Screw – Cap Hex. Hd.	4
28	85-8120	Plate – Engine Mount	1
29	3253-6	Washer – Lock	4
30	324-7	Screw – Cap Hex. Hd.	4
31	32128-20	Nut – Flange Lock	8
32	322-3	Screw – Cap Hex. Hd.	6
33	43-2830	Nut – Hex	1
†34	63-8440	Decal – Warning Hot	1
35	83-2310	Shield	1
36	48-7620	Screw – Cap Hex. Hd.	1
*	3290-378	Tie – Cable	2
*	250-6	Tie – Cable	2

*Not Illustrated

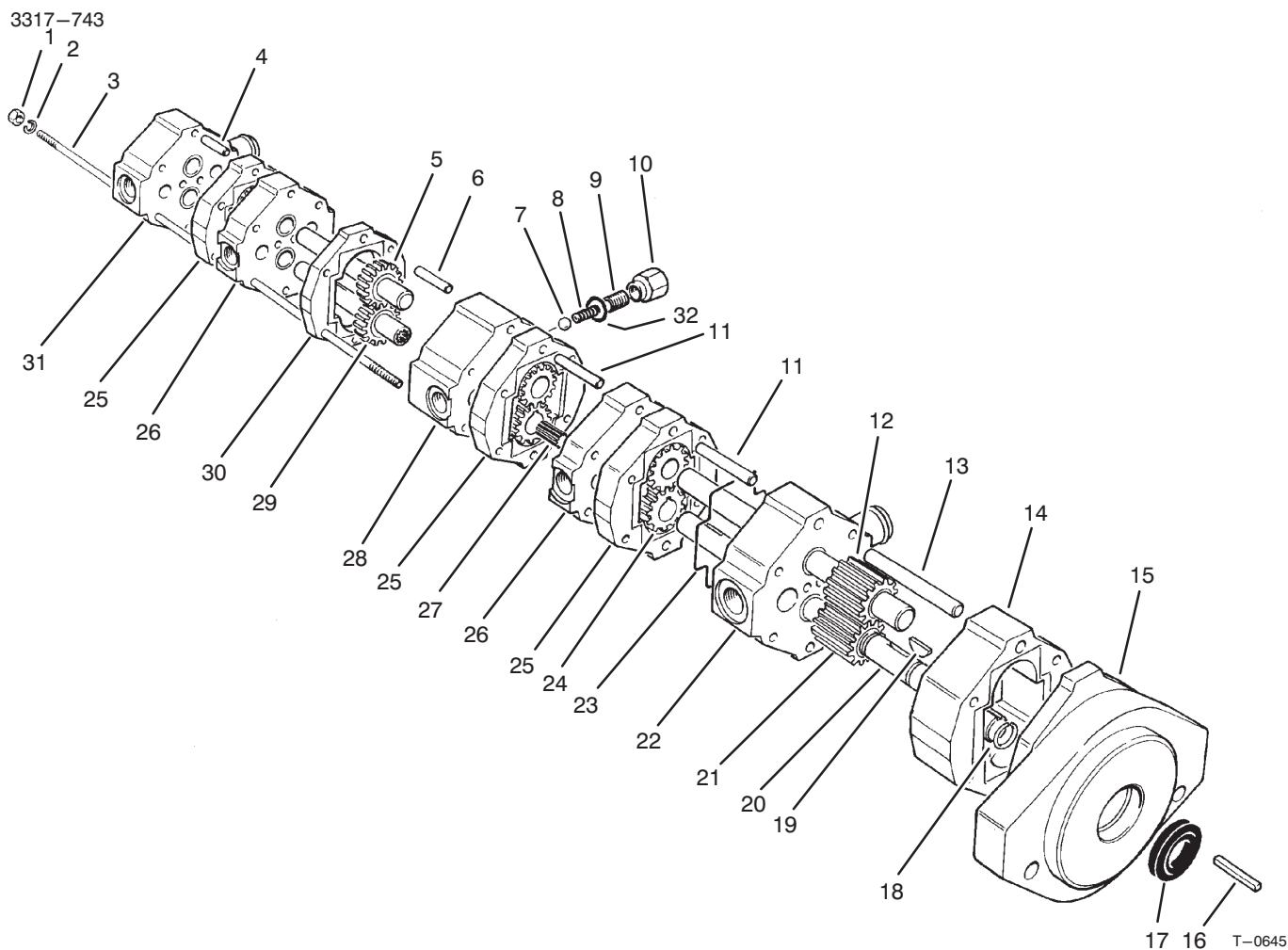
†For different language versions of this part, see International Parts Page.



T-1292

HYDRAULIC PUMP INSTALLATION ASSEMBLY

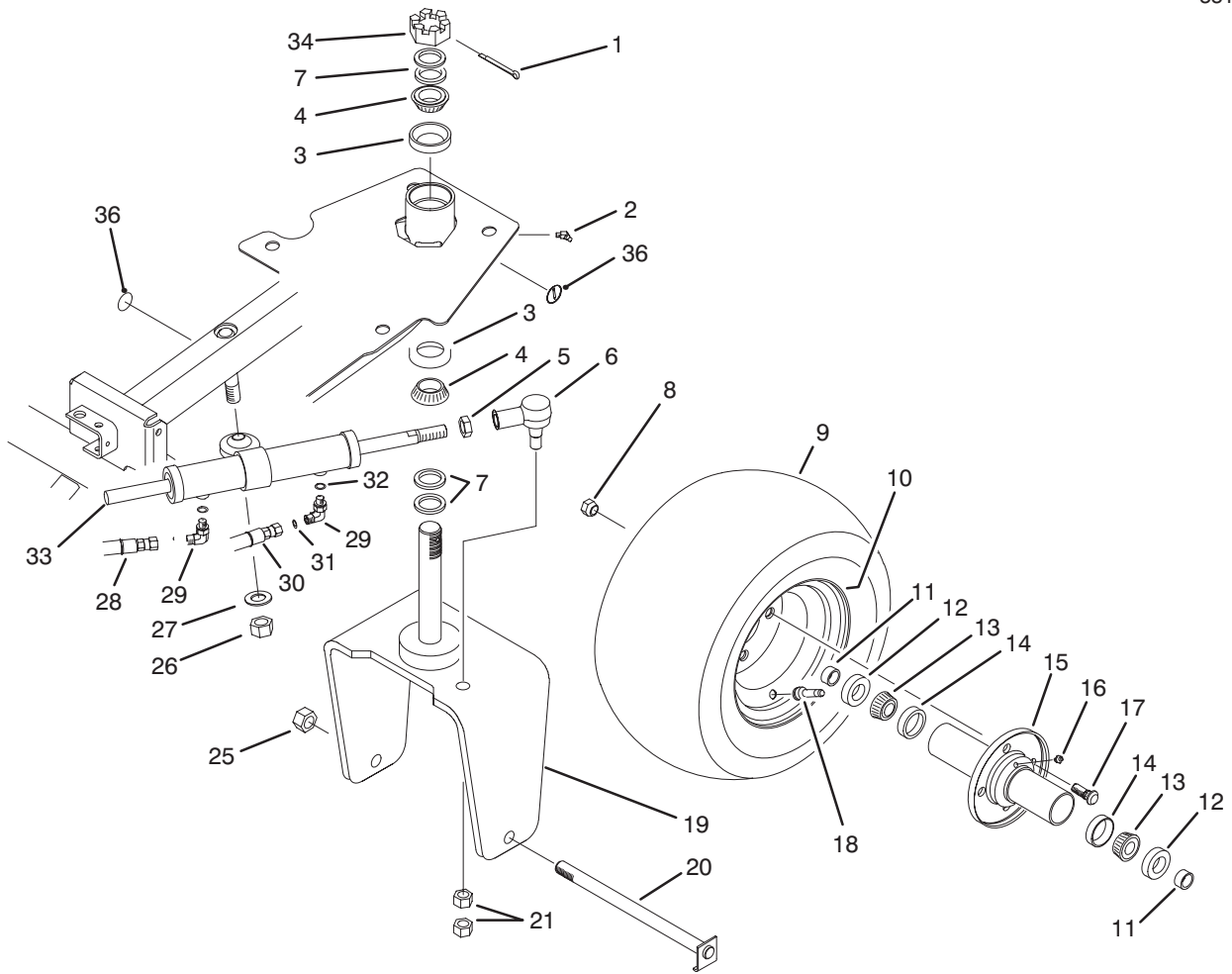
Ref. No.	Part No.	Description	No. Used	Ref. No.	Part No.	Description	No. Used
1	83-1190	Hose - Hydraulic	2	16	44-2230	Coupling - Rubber	1
2	237-22	Seal - O-Ring	3	17	3256-23	Washer - Flat	8
3	340-87	Fitting - Hydraulic 45° (Incl. Ref. #2 & 4)	3	18	322-6	Screw - Cap Hex. Hd.	4
4	237-42	Seal - O-Ring	4	19	3241-2	Screw - Set Square Hd.	2
5	340-82	Fitting - Hydraulic 90° (Incl. Ref. #4 & 6)	1	20	10-7070	Key - Square	1
6	237-21	Seal - O-Ring	1	21	27-1960	Hub - Engine	1
7	83-1350	Hose - Hydraulic	1	22	27-1970	Hub - Pump	1
8	83-1180	Hose - Hydraulic	1	23	3253-21	Washer - Lock	2
9	92-9764	Hydraulic Pump Assembly (Incl. Ref. #12)	2	24	323-8	Screw - Cap Hex. Hd.	2
10	2412-34	Clamp - Hose	2	25	237-80	Seal - O-Ring	1
11	83-0910	Hose - Pump	2	26	340-105	Fitting - Hydraulic 90° (Incl. Ref. #25 & 27)	1
12	5-0946	Key - Square	1	27	237-30	Seal - O-Ring	1
13	3241-6	Screw - Set Square Hd.	2	28	83-1170	Hose - Hydraulic	1
14	3296-29	Nut - Lock	4	29	32128-20	Nut - Flange Lock	2
15	27-6600	Spacer - Coupling	4	30	83-1940	Guard - Pump	1
				31	322-1	Screw - Cap Hex. Hd.	2
				32	322-4	Screw - Cap Hex. Hd.	2



HYDRAULIC PUMP 92-9764

Ref. No.	Part No.	Description	No. Used
1	3217-6	Nut - Lock	4
2	354-16	Washer - Lock	4
3	354-17	Stud - Threaded	4
4	354-11	Pin - Dowel	2
5	354-9	Idler Shaft - Gear Assy.	1
6	354-12	Pin - Dowel	2
7		Ball - Valve	1
8		Spring - Compression	1
9		Adjuster - Valve	1
10		Cap - Adjuster, Valve	1
11	354-13	Pin - Dowel	4
12	92-9774	Idler Shaft - Gear Assy.	1
13	354-14	Pin - Dowel	2
14	92-9766	Plate - Gear 66B	1
15	354-2	Body Assembly	1
16	5-0946	Key - Square	1
17	354-15	Seal - Shaft	1

Ref. No.	Part No.	Description	No. Used
18	353-886	Ring - Retaining	2
19	353-884	Key - Woodruff	4
20	92-9772	Shaft - Drive	1
21	92-9773	Gear - 66B	1
22	354-3	Bearing Plate Assembly	1
23	353-922	Seal - Ring	10
24	353-967	Gear - 33B	6
25	353-969	Plate - Gear 33B	3
26	353-923	Bearing Plate Assembly	2
27	354-5	Adapter - Splined	1
28	354-4	Bearing Plate Assembly (Incl. Ref. #7-10 & 32)	1
29	354-8	Drive Shaft - Gear Assy.	1
30	354-6	Plate - Gear 18B	1
31	354-7	Cover Assembly	1
32	354-35	Gasket	1

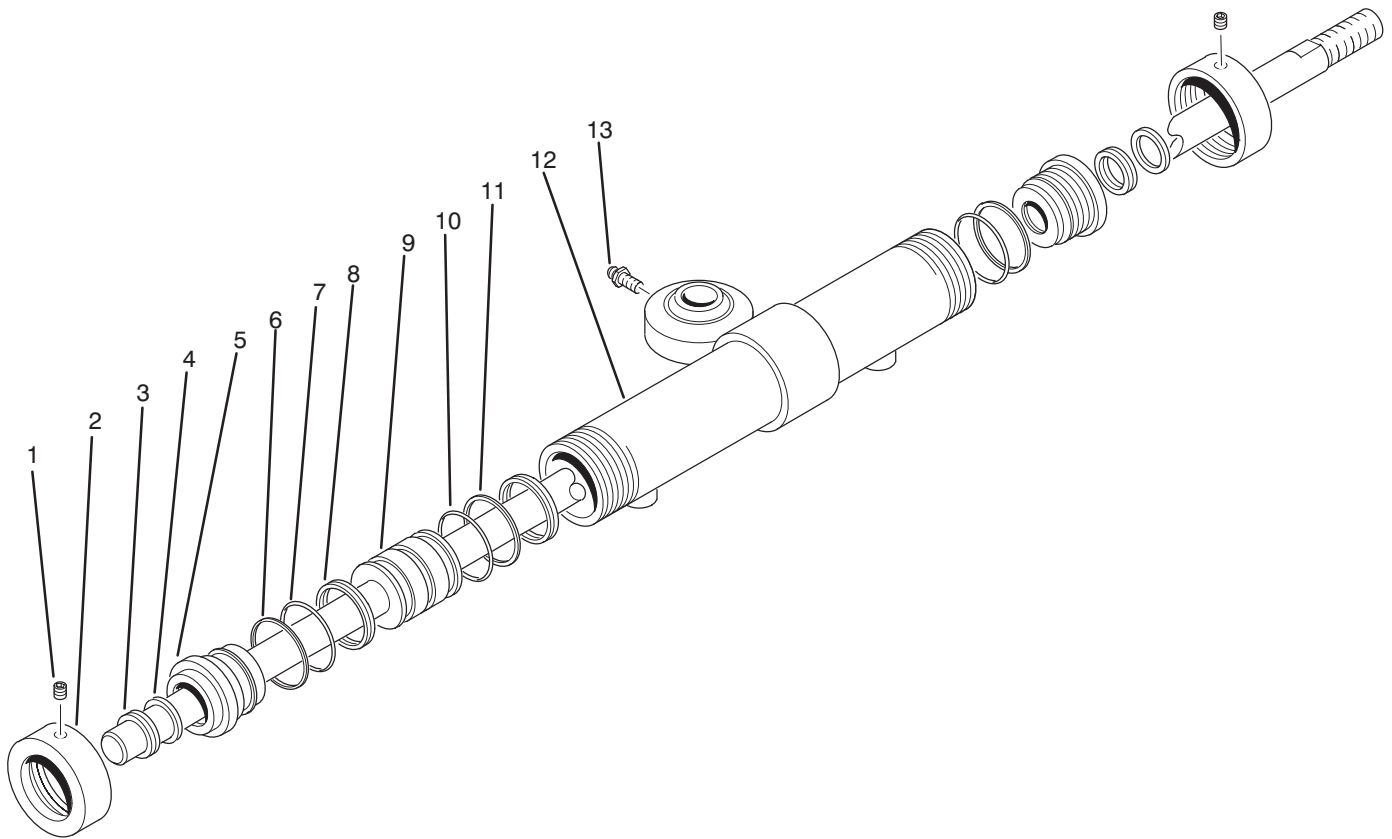


T-1288

REAR WHEEL ASSEMBLY

Ref. No.	Part No.	Description	No. Used
1	3272-37	Pin - Cotter	1
2	302-11	Fitting - Grease	1
3	254-61	Cup - Bearing	2
4	254-70	Cone - Bearing	2
5	84-5300	Nut - Jam	1
6	83-1640	Rod End Assembly	1
7	18-6320	Washer - Steering	4
8	242-50	Nut - Lug	4
9	28-3680	Tire	1
10	217-60	Rim	1
11	74-3730	Spacer - Hub	2
12	253-111	Seal - Shaft	2
13	254-78	Cone - Bearing	2
14	254-79	Cup - Bearing	2
15	75-9440	Hub - Wheel	1
16	302-55	Fitting - Grease	1
17	10-6830	Stud - Drive	4

Ref. No.	Part No.	Description	No. Used
18	232-24	Valve Stem w/Cap	1
19	93-2524	Fork - Castor	1
20	5-3934	Bolt - Castor	1
21	3220-6	Nut - Jam	2
25	3296-67	Nut - Lock	1
26	3217-12	Nut - Lock	1
27	3256-28	Washer - Flat	1
28	83-1350	Hose - Hydraulic	1
29	340-132	Fitting - Hydraulic 90° (Incl. Ref. #31 & 32)	2
30	83-1360	Hose - Hydraulic	1
31	237-21	Seal - O-Ring	2
32	237-78	Seal - O-Ring	2
33	83-2330	Hydraulic Cylinder Assy.	1
34	32136-9	Nut - Hex. Slotted	1
36	58-6520	Decal - Grease	2



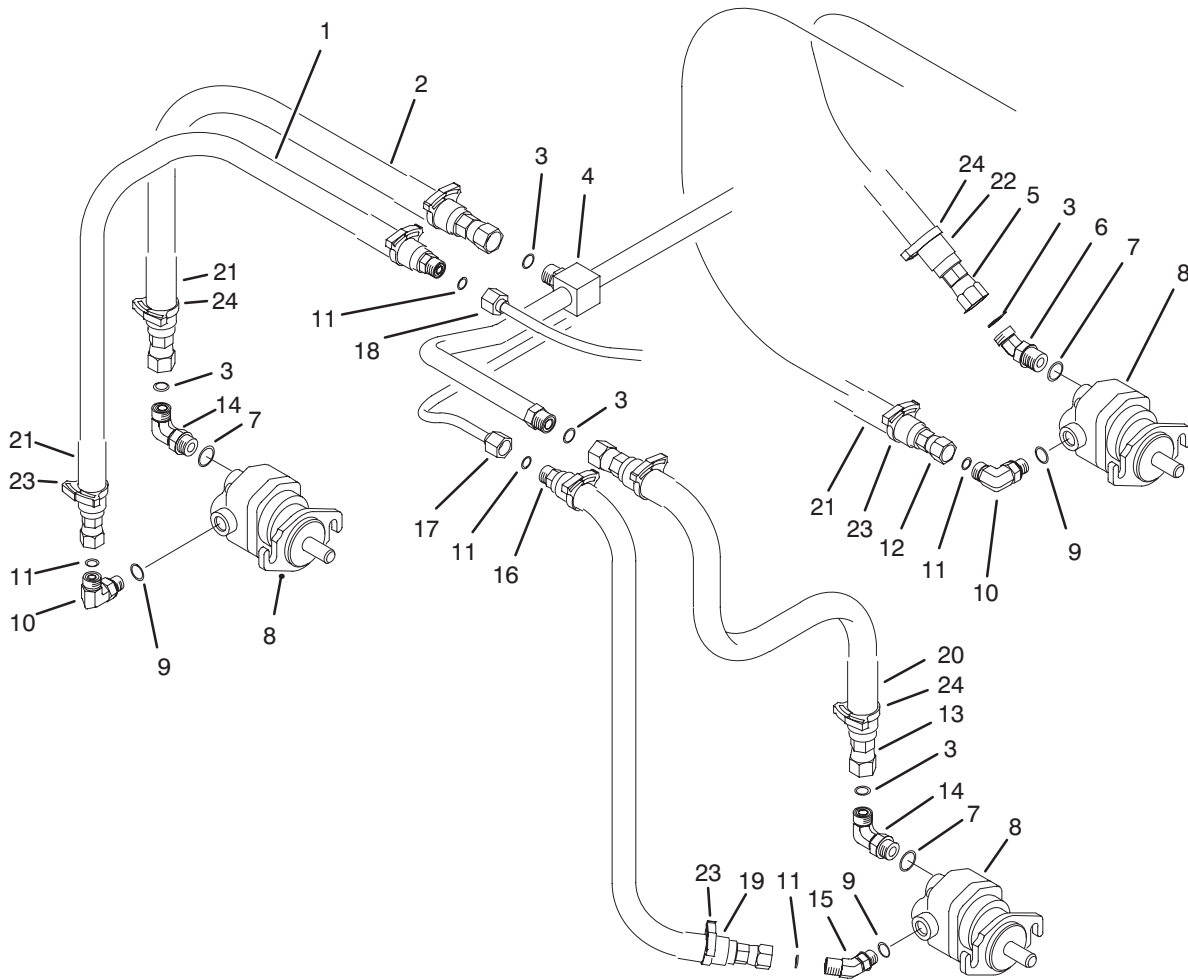
T-1313

HYDRAULIC CYLINDER ASSEMBLY NO. 83-2330

Ref. No.	Part No.	Description	No. Used
1	3245-1	Screw - Set, Hex. Soc. Hd.	2
2	83-2340	Cap - Threaded	2
3		Wiper - Rod	2
4		U-Cup - Double Lip	2
5	83-2350	Cap - Head, Thread	2
6		Ring - Back-Up	2
7		O-Ring	2
8		Ring - Wear	2

Ref. No.	Part No.	Description	No. Used
9	83-2360	Assembly - Rod	1
10		O-Ring	1
11		Ring - Piston, Urithane	1
12	83-2370	Assembly - Barrel	1
13	302-5	Fitting - Grease	1
*	83-2380	Kit - Seal Repair (Incl. Ref. #1-7)	1

*Not Illustrated

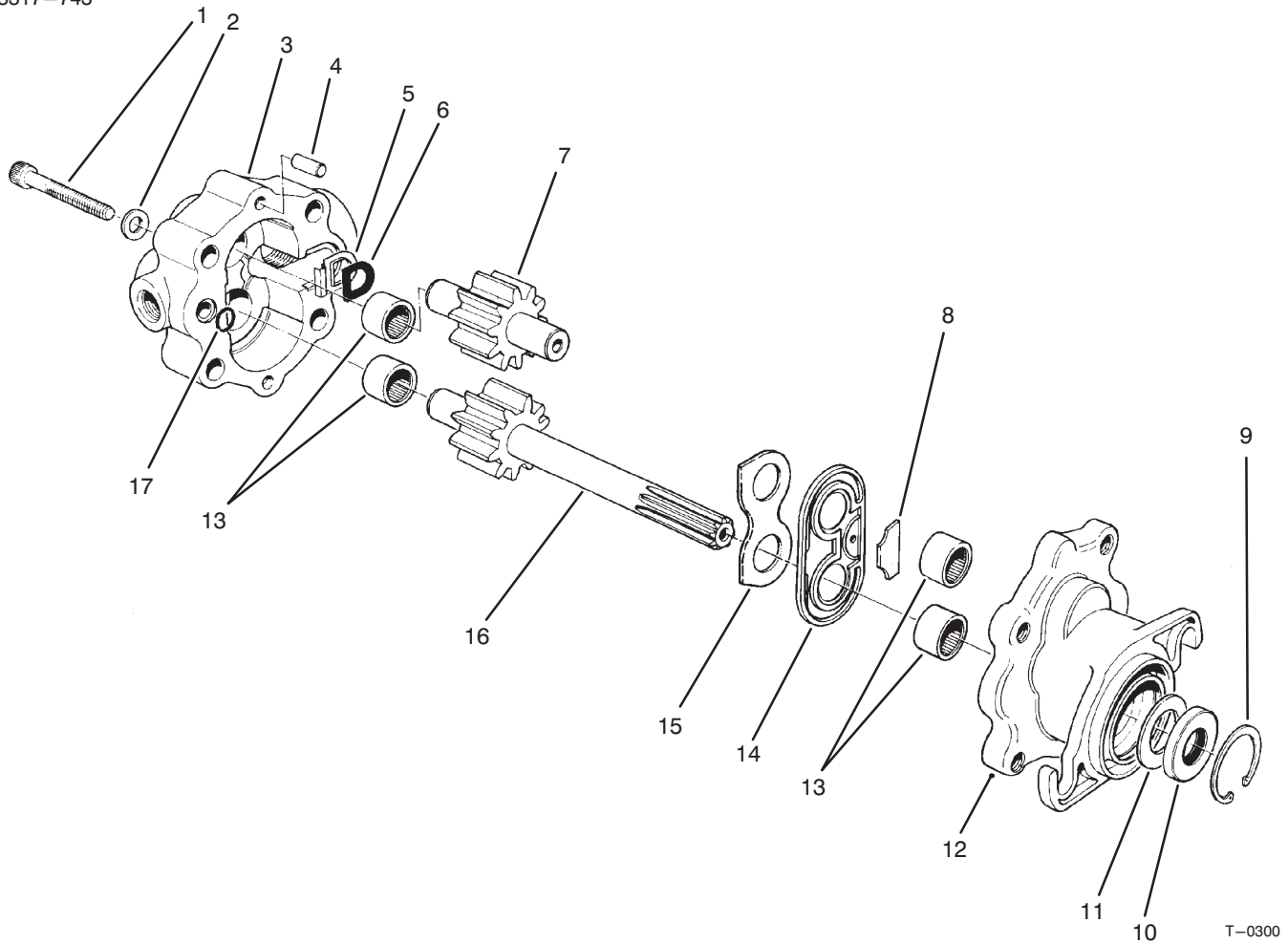


T-1297

REEL MOTOR INSTALLATION ASSEMBLY

Ref. No.	Part No.	Description	No. Used
1	63-3810	Hydraulic Hose Assembly (Incl. Ref. #21 & 23)	1
2	63-3820	Hydraulic Hose Assembly (Incl. Ref. #21 & 24)	1
3	237-30	Seal - O-Ring	5
4	63-4040	Hydraulic Tube Assembly (Incl. Ref. #3)	1
5	63-3840	Hydraulic Hose Assembly (Incl. Ref. #22 & 24)	1
6	340-101	Fitting - Hydraulic 45° (Incl. Ref. #3 & 7)	1
7	237-79	Seal - O-Ring	3
8	70-9800	Reel Motor Assembly	3
9	237-42	Seal - O-Ring	3
10	340-77	Fitting - Hydraulic 90° (Incl. Ref. #9 & 11)	2
11	237-22	Seal - O-Ring	5

Ref. No.	Part No.	Description	No. Used
12	74-3830	Hydraulic Hose Assembly (Incl. Ref. #21 & 23)	1
13	63-3830	Hydraulic Hose Assembly (Incl. Ref. #20 & 24)	1
14	340-98	Fitting - Hydraulic 90° (Incl. Ref. #3 & 7)	2
15	340-87	Fitting - Hydraulic 45° (Incl. Ref. #9 & 11)	1
16	63-3870	Hydraulic Hose Assembly (Incl. Ref. #19 & 23)	1
17	63-4020	Tube - Hydraulic	1
18	63-4030	Tube - Hydraulic	1
19	56-7986	Sleeve - Protective	1
20	56-7987	Sleeve - Protective	1
21	56-7980	Sleeve - Protective	3
22	56-7981	Sleeve - Protective	1
23	93-9346	Clamp - Pressure Hose	6
24	93-9347	Clamp - Return Hose	6



REEL MOTOR NO. 70-9800

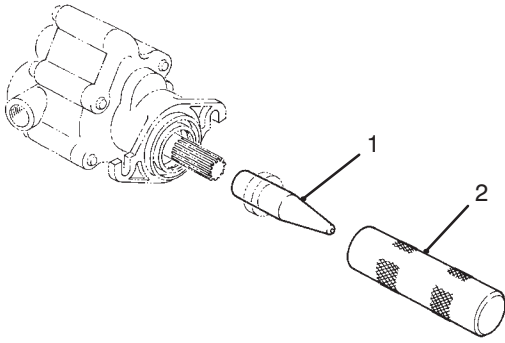
Ref. No.	Part No.	Description	No. Used
1	353-601	Screw - Hex Socket Hd.	4
2	353-600	Washer	4
3	353-588	Cover - Motor	1
4	353-599	Pin - Dowel	2
5	353-597	Bridging - Insert	1
6	353-598	Gasket - Insert	1
7	353-593	Idler Gear Assembly	1
8	353-591	Block - Anti-Extrusion	1
9	32151-41	Ring - Retaining	1
10		Seal - Shaft	1
11		Spacer	1
12	353-777	Body - Motor (Incl. Ref. #13)	1

Ref. No.	Part No.	Description	No. Used
13	353-586	Bearing - Needle	4
14	353-594	Seal Assembly	1
15	353-595	Plate - Wear	1
16	353-592	Drive Shaft Assembly	1
17	353-596	O-Ring	1
*	72-4380	Seal Kit (Incl. Ref. #9-11)	1
*	72-4390	Repair Kit (Incl. Ref. #5, 6, 8-11, 14, 15 & 17)	
*		Seal Installer	1
*		Seal Protector	1

*Not Illustrated

SPECIAL TOOLS

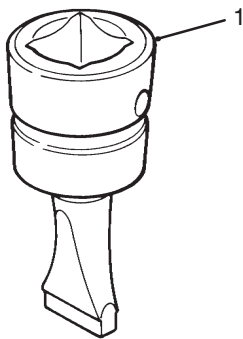
REEL MOTOR SEAL INSTALLATION TOOLS



T-0727

Ref. No.	Part No.	Description	No. Used
1	TOR491430	Protector – Seal	1
2	TOR491450	Installer – Seal	1

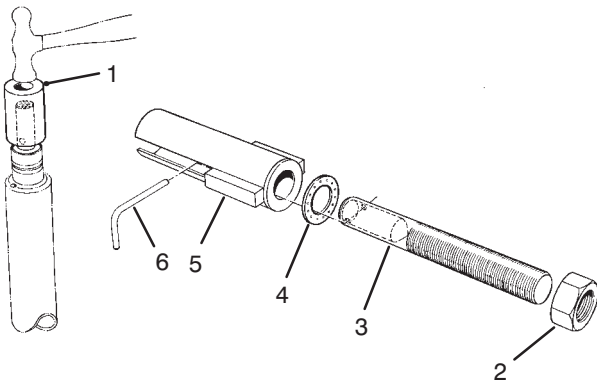
BED KNIFE SCREW TOOL NO. TOR510880



T-0729

Ref. No.	Part No.	Description	No. Used
1		Tool – Bed Knife Screw	1

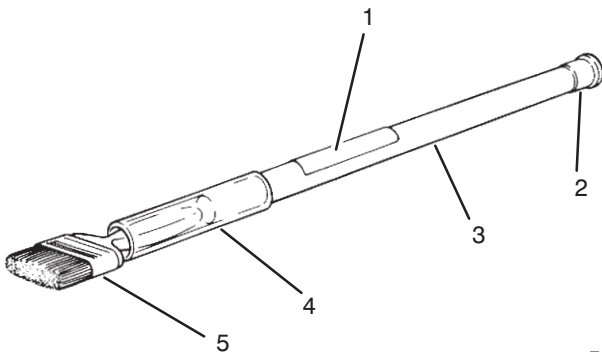
BEARING REPLACEMENT TOOL KIT NO. TOR238900



T-0730

Ref. No.	Part No.	Description	No. Used
1	23-8880	Driver – Bearing	2
2	3219-18	Nut – Hex.	1
3	23-8840	Puller – Bolt	1
4	22-6090	Washer – Thrust	1
5	23-8850	Tube – Support	1
6	23-8860	Pin – Bearing Rplcmnt.	1

BACKLAPPING BRUSH ASSEMBLY NO. 29-9100



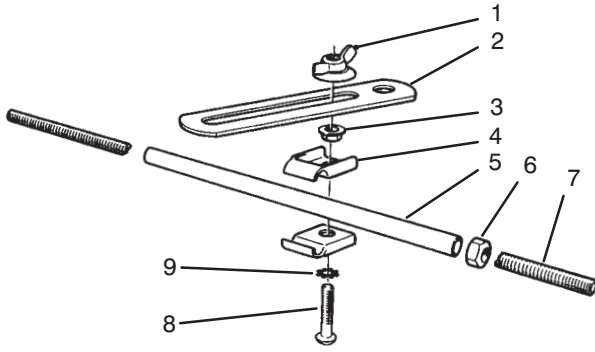
T-0731

Ref. No.	Part No.	Description	No. Used
1	12-9140	Decal	1
2	2410-18	Plug	1
3	29-9080	Handle	1
4	29-9090	Hose – Handle	1
5	36-4310	Brush	1

Note: Special tools may be ordered from: Owatonna Tool Company 2013 4th St. NW Owatonna, MN 55060

SPECIAL TOOLS (Continued)

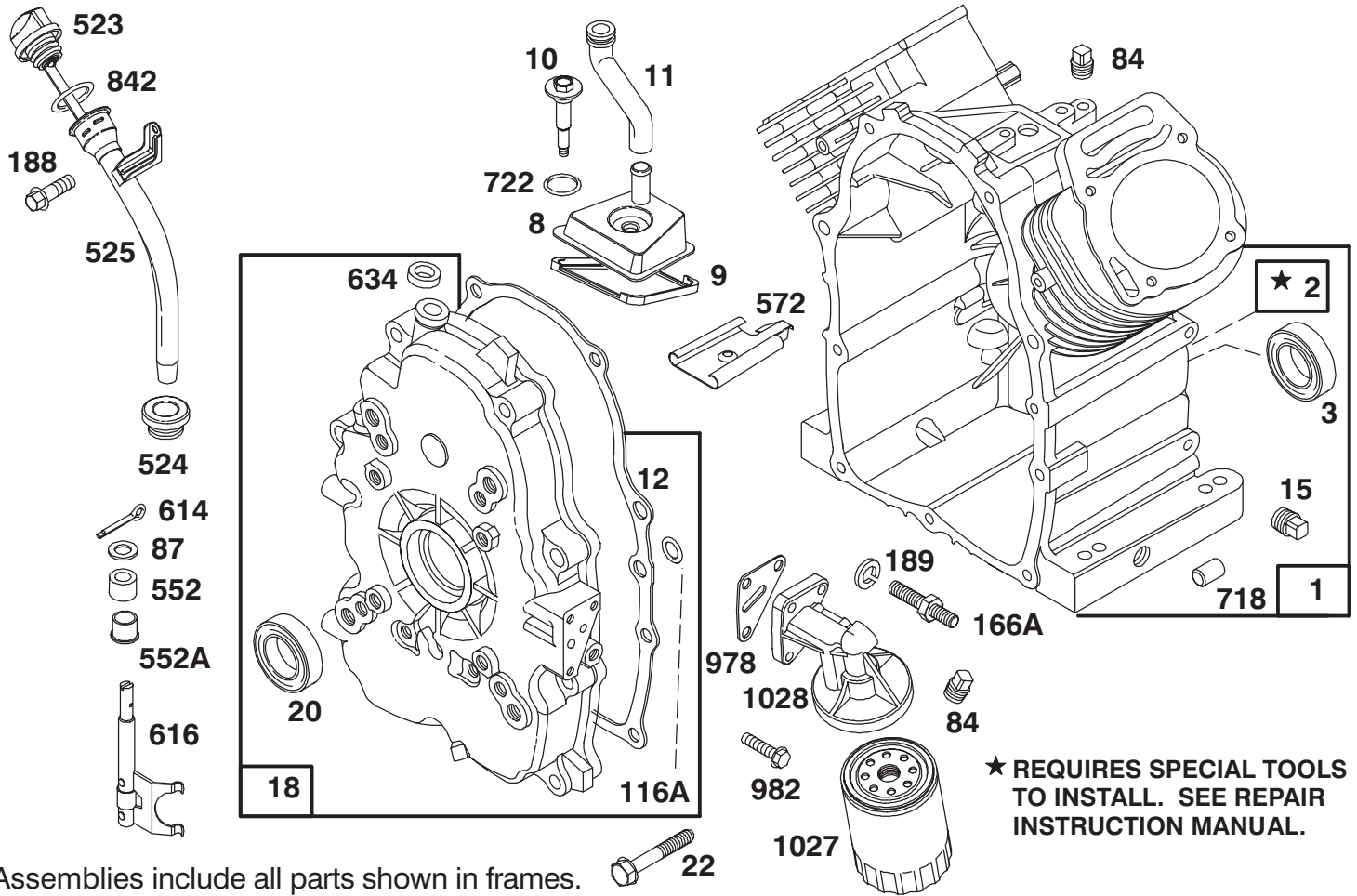
ALIGNMENT TOOL NO. TOR200120



T-0732

Ref. No.	Part No.	Description	No. Used
1	3-4808	Nut – Wing	1
2	20-0110	Bracket – Alignment	1
3	32128-20	Nut – Lock, Flange	1
4	3-6657	Clip – Skid	2
5	20-0070	Tube	1
6	3219-2	Nut – Hex.	1
7	20-0080	Rod	1
8	32122-35	Screw – Truss Head	1
9	3255-8	Washer – Lock, Int. Tooth	1

**Note: Special tools may be ordered from: Owatonna Tool Company
2013 4th St. NW
Owatonna, MN 55060**



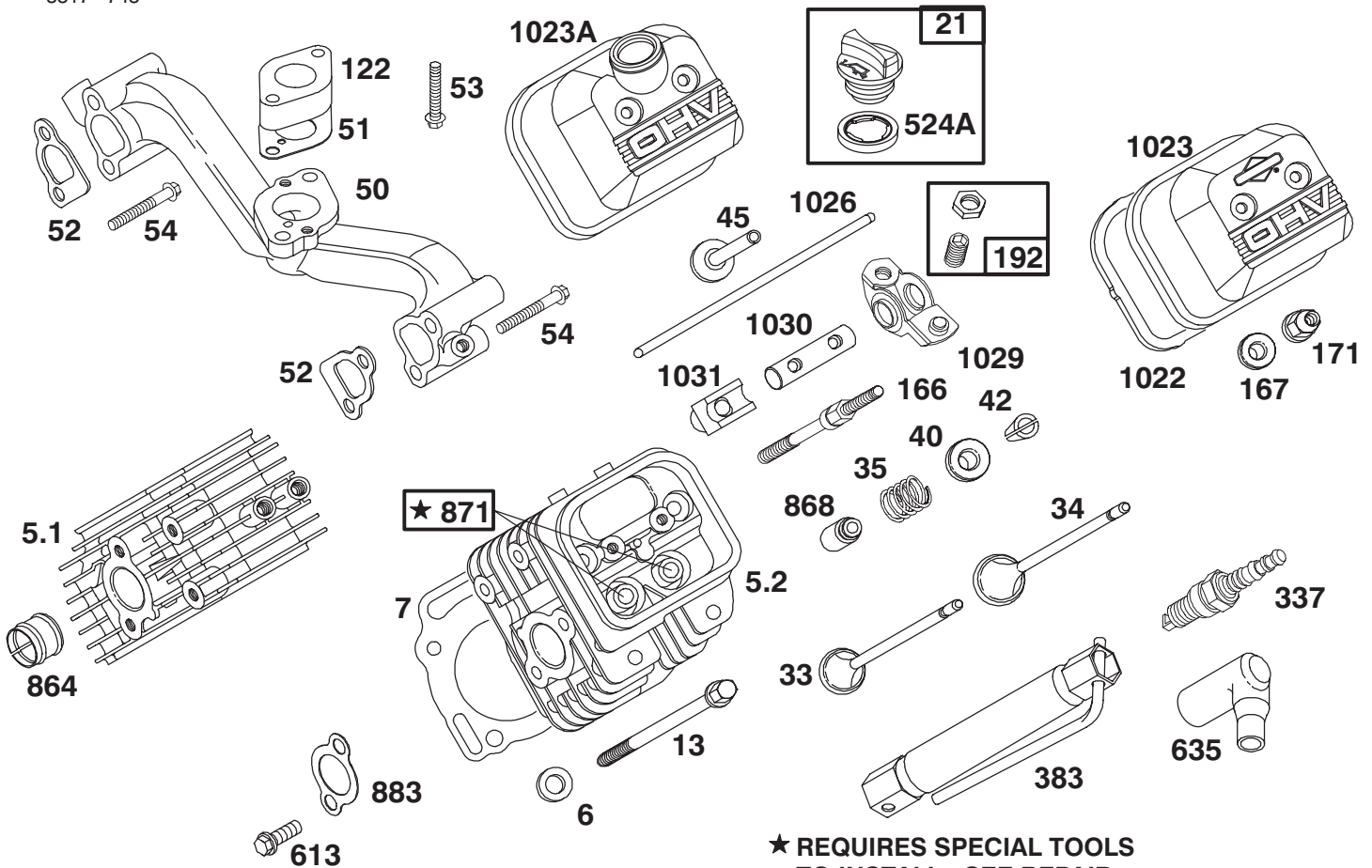
Assemblies include all parts shown in frames.

ENGINE BRIGGS & STRATTON MODEL 303447-0479-01

Ref. No.	Part No.	Description	No. Used
1	807521	Cylinder Assembly	
2	805107	Bearing – Cylinder	
*3	805101	Seal – Oil	
8	807795	Breather Assembly	
*9	805379	Gasket – Breather	
10	805751	Screw – Hex. Washer Head	
11	805362	Tube – Breather	
*12	805112	Gasket – Crankcase Cover	
15	805048	Plug – Oil Drain	
18	807628	Cover Assembly – Crankcase	
*20	805049	Seal – Oil	
22	805696	Screw – Crankcase Cover	
84	91488	Plug – Pipe	
*87	805054	Seal – Governor Shaft	
*116A	805198	O-Ring (Crankcase Cover)	
166A	805073	Stud – Oil Filter Adapter	
188	805247	Screw – Hex. Head	

Ref. No.	Part No.	Description	No. Used
189	805449	Lockwasher	
523	807977	Dipstick	
*524	805259	Seal – Filler Tube	
525	807584	Tube – Oil Filler	
552	805412	Bushing – Governor Shaft	
552A	805413	Bushing – Governor Shaft	
572	805197	Baffle – Breather	
614	805417	Pin – Cotter	
616	807596	Fork – Governor	
634	805416	Washer – Governor Shaft	
718	805103	Dowel – Crankcase	
*722	805483	Seal – Breather Screw	
*842	805386	O-Ring	
*978	805250	Gasket – Oil Filter Adapter	
982	805030	Screw	
1027	491056	Filter – Oil	
1028	805292	Adapter – Oil Filter	

*Included in Gasket Set – Part No. 807989.



★ REQUIRES SPECIAL TOOLS TO INSTALL. SEE REPAIR INSTRUCTION MANUAL.

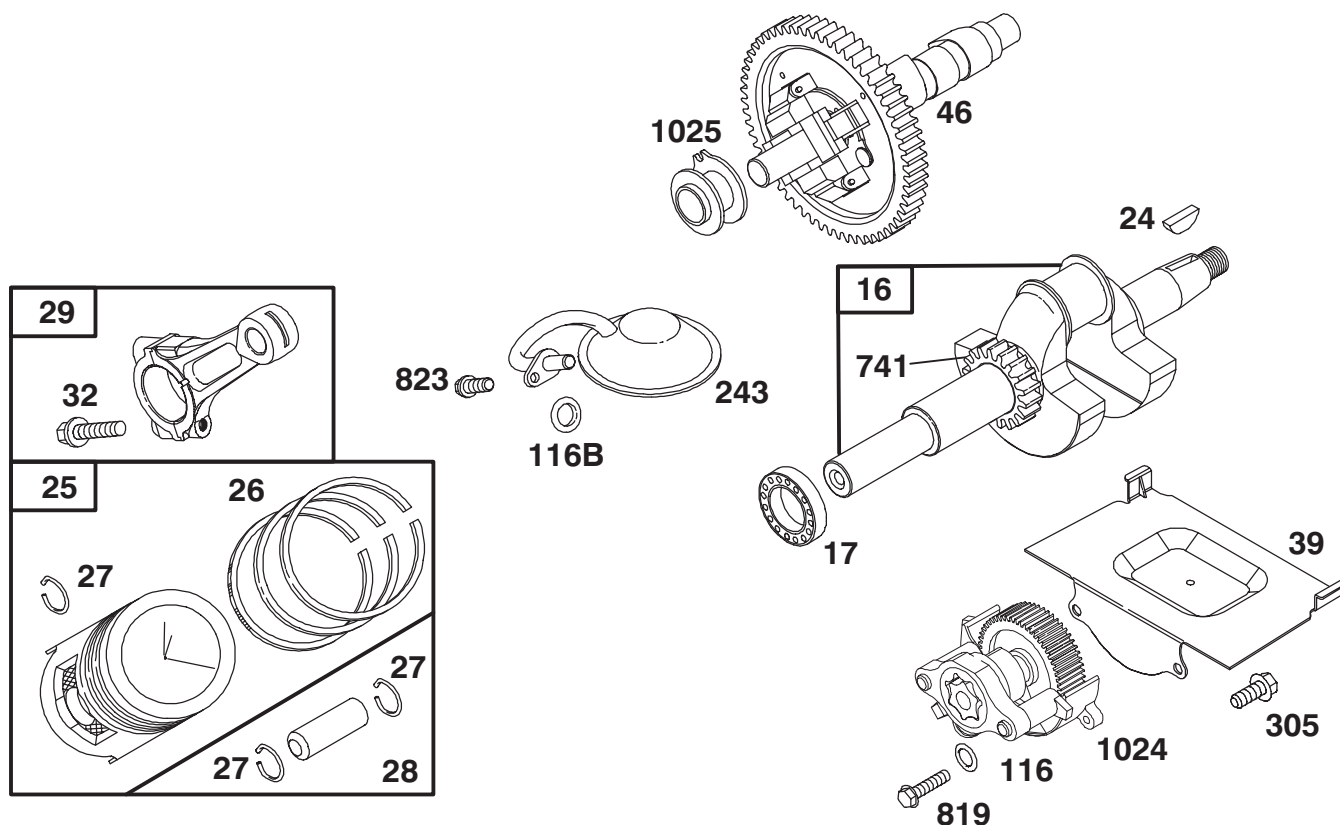
Assemblies include all parts shown in frames.

ENGINE BRIGGS & STRATTON MODEL 303447-0479-01

Ref. No.	Part No.	Description	No. Used
5.1	807987	Head – Cylinder (Cyl. #1)	
5.2	807988	Head – Cylinder (Cyl. #2)	
‡6	805193	Washer – Cylinder Head	
‡*7	807986	Gasket – Cylinder Head	
13	805097	Screw – Cylinder Head	
21	491832	Plug – Oil Fill (Cyl. #1)	
33	805089	Valve – Exhaust	
34	805090	Valve – Intake	
35	805078	Spring – Valve	
40	805092	Retainer – Valve Spring	
42	805161	Retainer – Valve	
45	805354	Tappet – Valve	
50	805772	Manifold – Intake	
*51	805264	Gasket – Carburetor Mtg.	
‡*52	805023	Gasket – Intake Manifold	
53	805466	Screw	
54	805006	Screw	
122	805328	Spacer – Carburetor	
166	805343	Stud – Rocker Arm	
‡*167	805420	Washer – Valve Cover	
‡171	805019	Nut – Nylock	

Ref. No.	Part No.	Description	No. Used
192	807623	Screw – Valve Adjustment (Incl. Jam Nut)	
337	496018	Plug – Spark	
383	19374	Wench – Spark Plug	
‡*524A	271983	Seal – Filler Plug	
613	805158	Screw	
635	805529	Elbow – Spark Plug	
864	805083	Liner – Exhaust Port	
868	805094	Seal – Valve Guide	
871	805084	Guide – Valve	
‡*883	805024	Gasket – Exhaust Manifold	
‡*1022	805028	Gasket – Valve Cover	
1023	805100	Cover – Valve	
1023A	808032	Cover – Valve Used on Cylinder #1.	
1026	805352	Rod – Push Note: 805617 Rod – Push Used on Exhaust Side Only.	
1029	807557	Arm – Rocker	
1030	805342	Shaft – Rocker Arm	
1031	805341	Support – Rocker Arm	

*Included in Gasket Set – Part No. 807989.
‡Included in Valve Overhaul Kit – Part No. 807990.

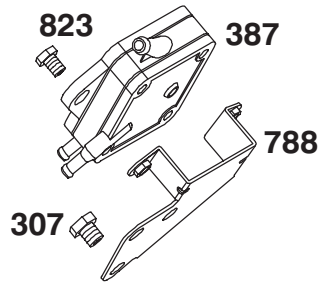
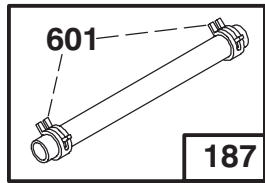
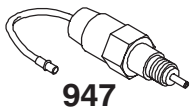
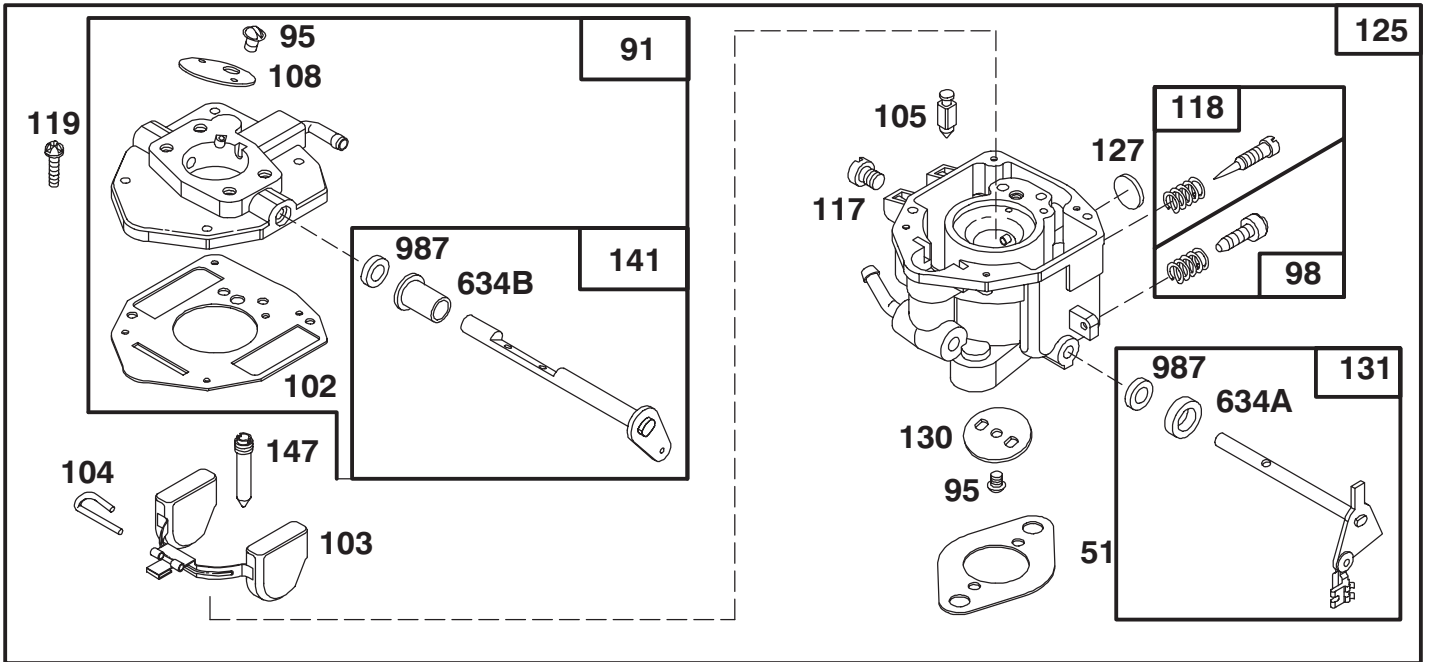


Assemblies include all parts shown in frames.

ENGINE BRIGGS & STRATTON MODEL 303447-0479-01

Ref. No.	Part No.	Description	No. Used
16	807589	Crankshaft Note: To Replace Crankshaft Gear Key – Order Part No. 94196.	
17	805754	Bearing – Ball	
24	805016	Key – Flywheel	
25	807619	Piston Assembly (Standard)	
	807807	Piston Assembly .010 O.S.	
	807809	Piston Assembly .020 O.S.	
	807811	Piston Assembly .030 O.S.	
26	807620	Ring Set – Piston (Standard)	
	807808	Ring Set – Piston .010 O.S.	
	807810	Ring Set – Piston .020 O.S.	
	807812	Ring Set – Piston .030 O.S.	
27	805099	Lock – Piston Pin	
28	807621	Piston Pin Assembly	
29	807900	Connecting Rod Assembly Note: For Connecting Rod With .020" Undersize Crankpin Bore – Order Part No. 807803.	
32	805395	Screw – Connecting Rod	
39	805654	Plate – Windage	
46	807542	Gear – Cam	
*116	805058	O-Ring (Oil Pump)	
*116B	805316	O-Ring (Pick – Up Tube)	
243	807598	Screen – Oil Pump Pick-Up	
305	805406	Screw	
741	805675	Gear – Timing	
819	805057	Screw	
823	805317	Screw – Mounting	
1024	807644	Oil Pump Assembly	
1025	805313	Slider – Governor	

*Included in Gasket Set – Part No. 807989.



Assemblies include all parts shown in frames.

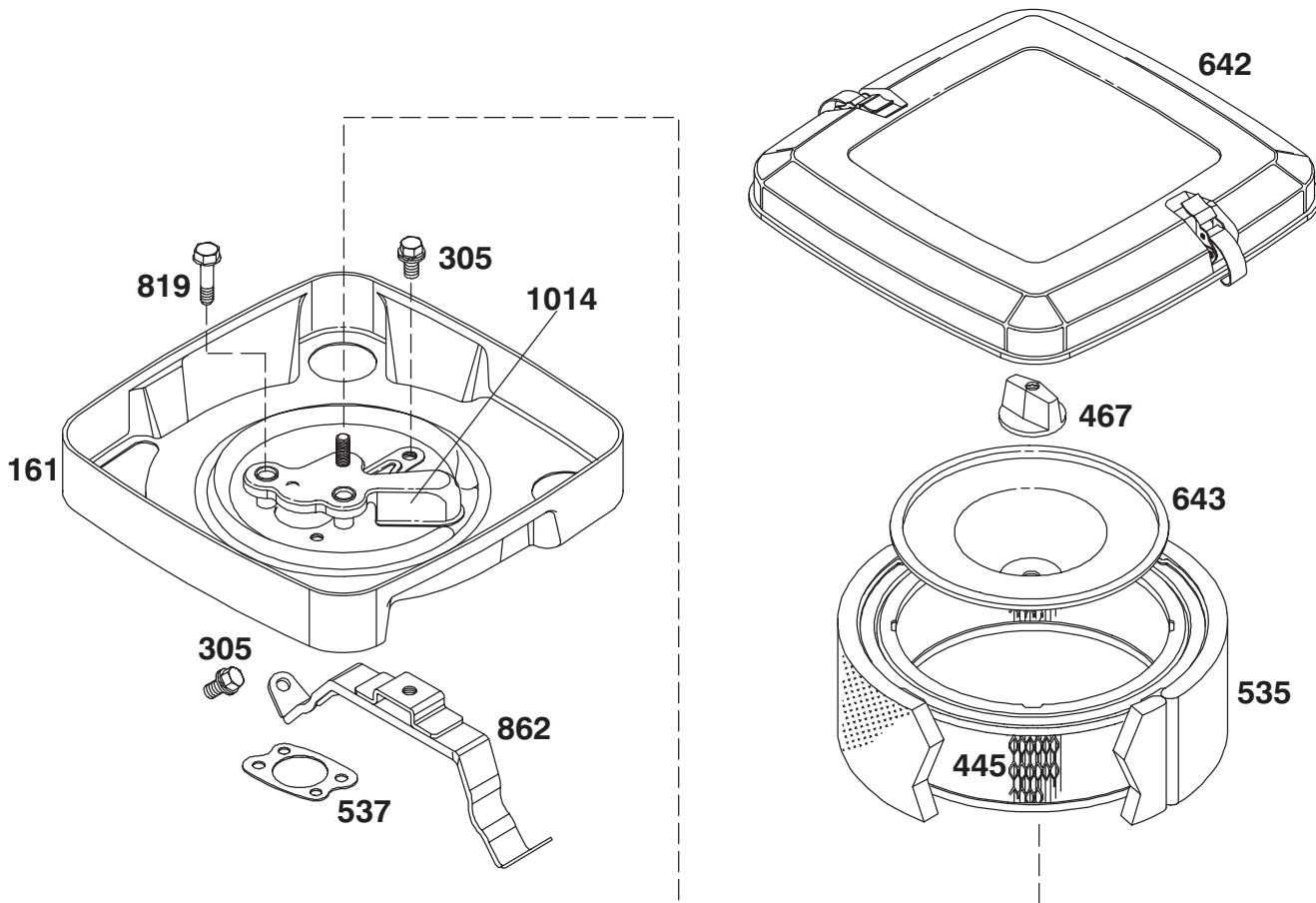
ENGINE BRIGGS & STRATTON MODEL 303447-0479-01

Ref. No.	Part No.	Description	No. Used
*51	805700	Gasket – Carburetor Mtg.	
91	807919	Body – Upper Carburetor	
95	805538	Screw – Valve Mtg.	
98	807718	Screw – Throttle Adj.	
†102	805541	Gasket – Intake Elbow	
103	805546	Float Assembly	
†104	805545	Pin – Float Hinge	
†105	805547	Valve – Fuel Inlet	
108	805539	Valve – Choke	
†117	805853	Jet – Main	
†118	807719	Valve – Idle Adjusting Needle	
119	805540	Screw – Upper Body Mtg.	
125	807918	Carburetor Assembly	
†127	805559	Plug – Welch	

Ref. No.	Part No.	Description	No. Used
130	805554	Valve – Throttle	
131	807720	Shaft – Throttle	
141	807722	Shaft – Choke	
†147	805553	Jet – Slow Speed	
187	393815	Hose – Fuel (Cut to Suit)	
307	805025	Screw	
387	491922	Pump – Fuel	
601	93053	Clamp – Hose	
†634A	805557	Collar – Throttle	
†634B	805543	Collar – Choke	
788	807685	Bracket – Fuel Pump	
823	805317	Screw – Mounting	
947	807664	Solenoid	
†987	805544	Seal – Shaft	

†Included in Carburetor Kit – Part No. 807726.

*Included in Gasket Set – Part No. 807989.



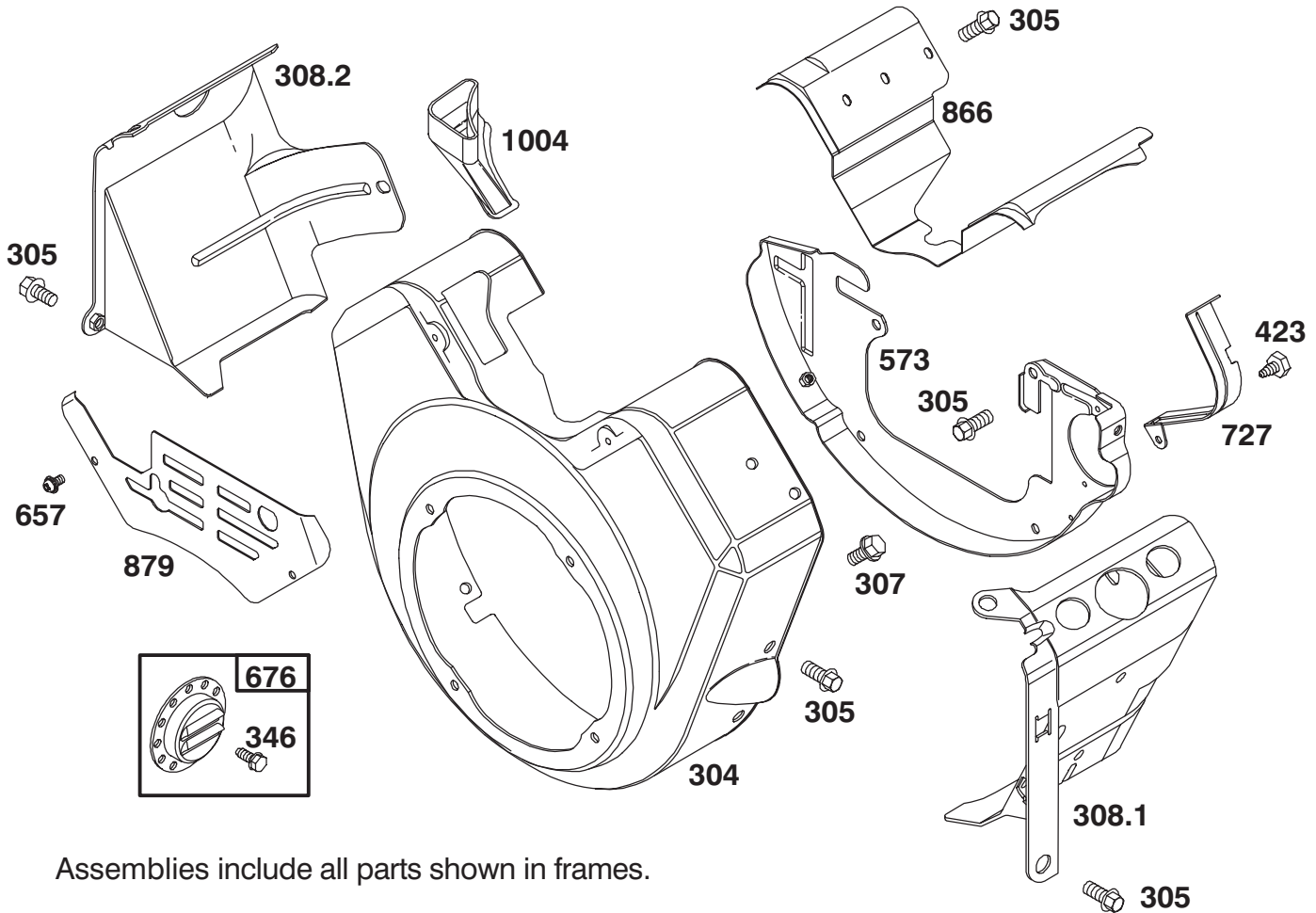
Assemblies include all parts shown in frames.

ENGINE BRIGGS & STRATTON MODEL 303447-0479-01

Ref. No.	Part No.	Description	No. Used
161	807857	Base Assy. – Air Cleaner	
305	805406	Screw	
445	394018	Cartridge – Air Cleaner	
467	491875	Knob – Air Cleaner	
535	272490	Element – Foam	
*537	805655	Gasket – Air Cleaner	

Ref. No.	Part No.	Description	No. Used
642	807862	Cover Assy. – Air Cleaner	
643	805631	Plate – Air Cleaner	
819	805057	Screw	
862	807796	Bracket – Air Cleaner	
1014	807797	Carburetor Inlet Shield Assy.	

*Included in Gasket Set – Part No. 807989.

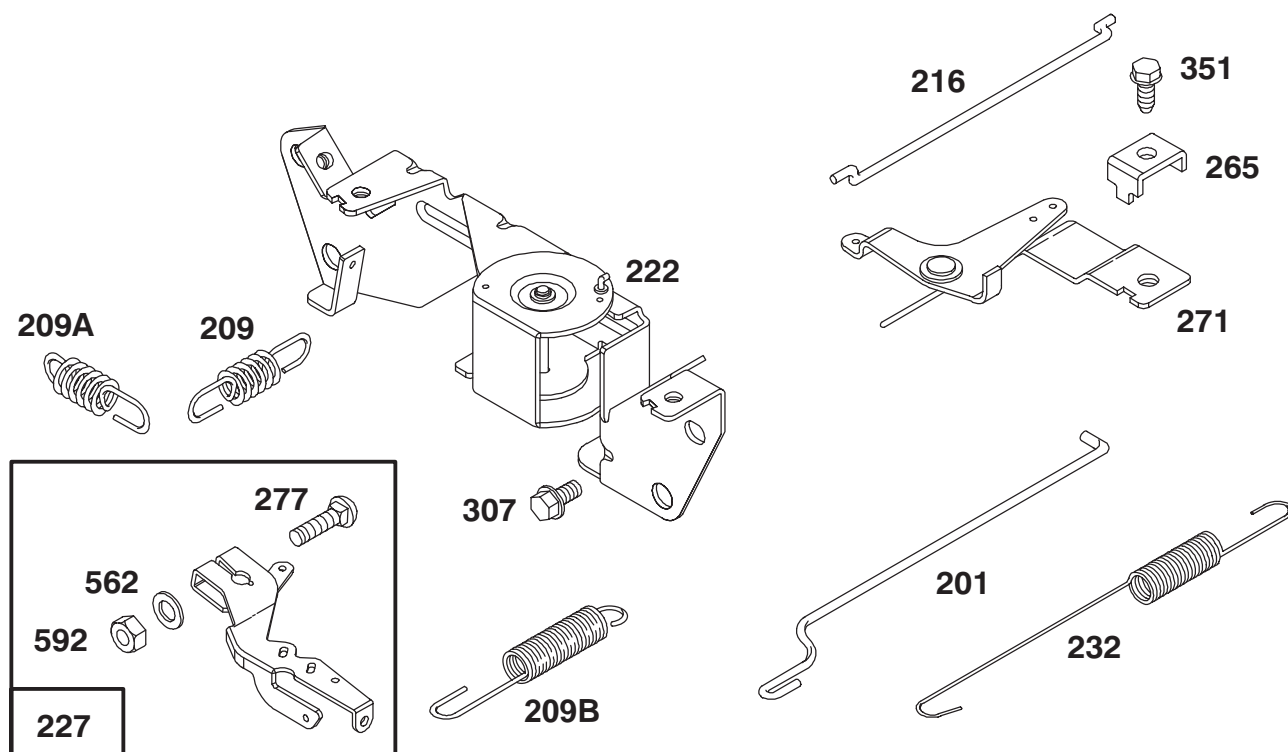


Assemblies include all parts shown in frames.

ENGINE BRIGGS & STRATTON MODEL 303447-0479-01

Ref. No.	Part No.	Description	No. Used
304	807898	Housing – Blower	
305	805406	Screw	
307	805025	Screw	
308.1	807868	Cover – Air Guide (Cyl. #1)	
308.2	807869	Cover – Air Guide (Cyl. #2)	
346	93705	Screw	
423	805260	Screw	

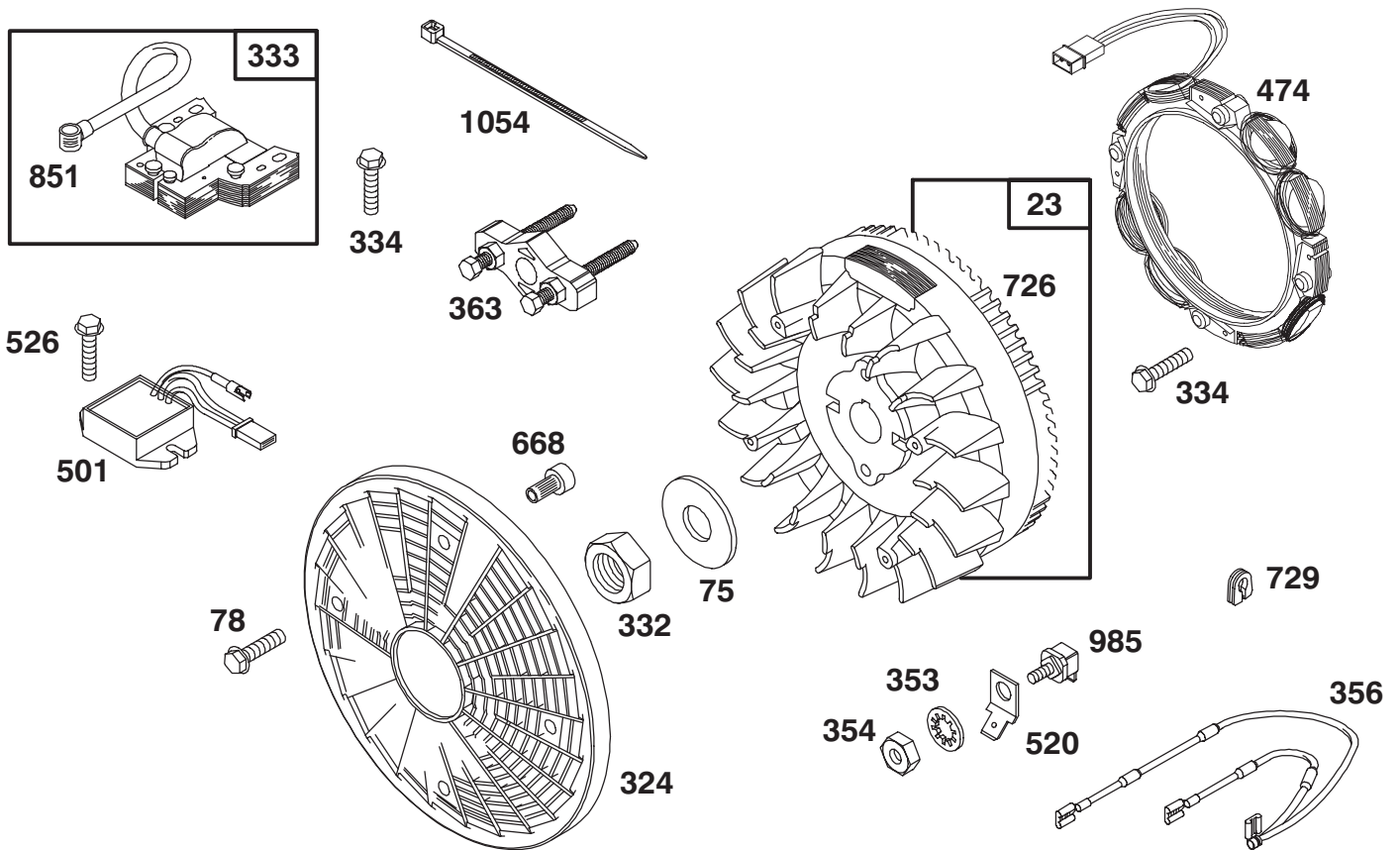
Ref. No.	Part No.	Description	No. Used
573	807663	Back Plate Assembly	
657	805009	Screw	
676	397630	Deflector—Exhaust	
727	805505	Shield – Starter	
866	805738	Valley Cover – Air Guide	
879	805841	Cover – Carburetor	
1004	805632	Tube – Air Inlet	



Assemblies include all parts shown in frames.

ENGINE BRIGGS & STRATTON MODEL 303447-0479-01

Ref. No.	Part No.	Description	No. Used	Ref. No.	Part No.	Description	No. Used
201	805480	Link – Governor		232	805465	Spring – Governor Link	
209	805464	Spring – Governor		265	221535	Clamp – Casing	
209A	805453	Spring – Governed Idle		271	807609	Bracket – Choke Control	
209B	805450	Spring – Governed Idle (Secondary)		277	805018	Washer	
216	805439	Link – Choke		307	805025	Screw	
222	807610	Bracket – Governor Control		351	805169	Screw – Hex. Head	
227	807528	Lever Assembly – Governor		562	805381	Bolt	
				592	805383	Nut – Hex.	

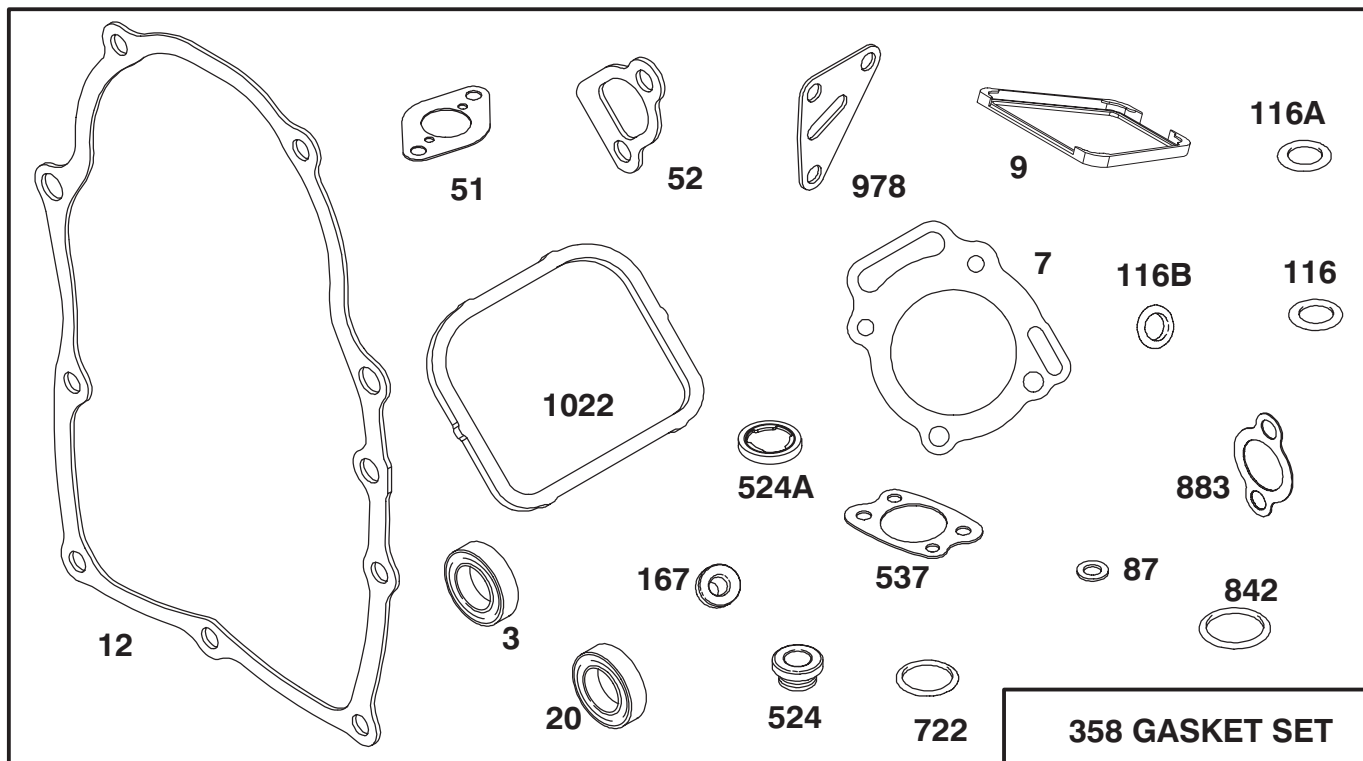


Assemblies include all parts shown in frames.

ENGINE BRIGGS & STRATTON MODEL 303447-0479-01

Ref. No.	Part No.	Description	No. Used
23	808128	Flywheel	
75	805007	Washer - Spring	
78	805447	Screw	
324	280829	Screen - Rotating	
332	805021	Nut - Hex	
333	492341	Armature - Magneto	
334	805407	Screw - Mounting	
353	92791	Lockwasher (Internal Tooth)	
354	90576	Nut - Hex.	
356	493792	Wire Assy.	
363	19203	Puller - Flywheel	

Ref. No.	Part No.	Description	No. Used
474	393295	Stator - Alternator	
501	394890	Regulator - Alternator	
520	93722	Terminal - Ground	
526	805448	Screw - Mtg.	
668	805402	Spacer	
726	808162	Gear - Flywheel Ring	
729	805641	Grommet	
851	221798	Terminal - Ignition Cable	
985	398525	Insulator	
1054	280275	Tie - Cable	



Assemblies include all parts shown in frames.

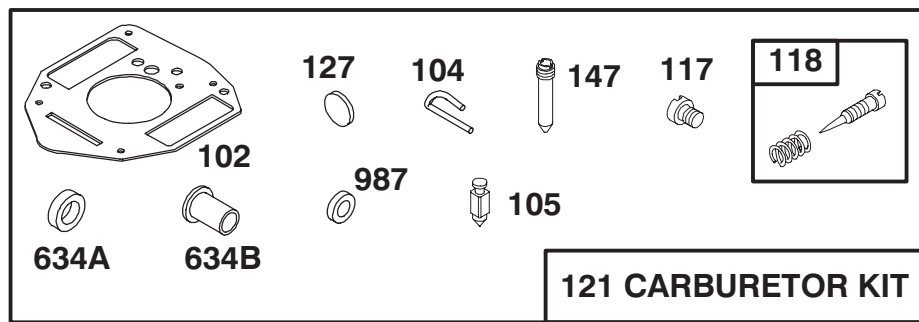
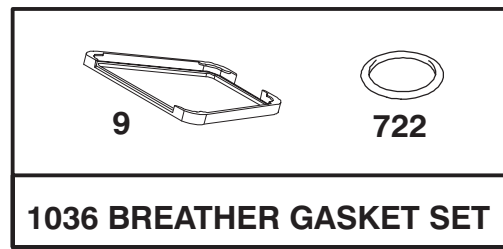
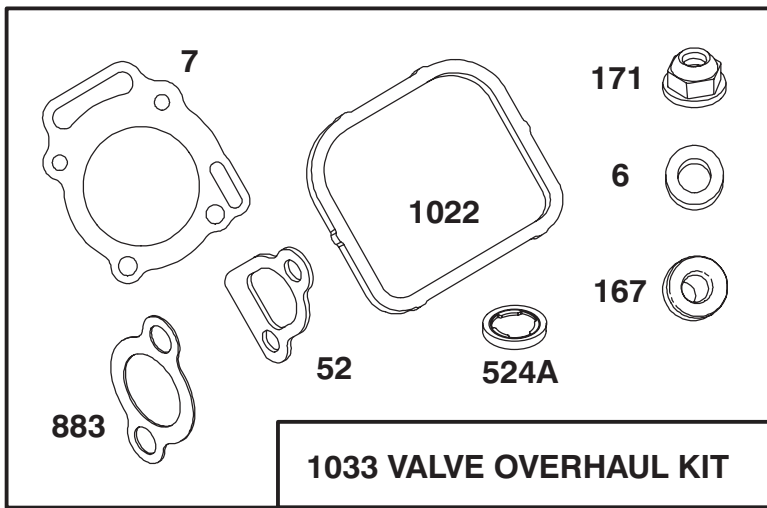
ENGINE BRIGGS & STRATTON MODEL 303447-0479-01

Ref. No.	Part No.	Description	No. Used
*3	805101	Seal – Oil	
*‡7	807986	Gasket – Cylinder Head	
*9	805379	Gasket – Breather	
*12	805112	Gasket – Crankcase Cover	
*20	805049	Seal – Oil	
*51	805264	Gasket – Carburetor Mtg.	
*‡52	805023	Gasket – Intake Manifold	
*87	805054	Seal – Governor Shaft	
*116	805058	O–Ring (Oil Pump)	
*116A	805198	O–Ring (Crankcase Cover)	
*116B	805316	O–Ring (Pick – Up Tube)	

Ref. No.	Part No.	Description	No. Used
‡*167	805420	Washer – Valve Cover	
358	807989	Gasket Set	
*524	805259	Seal – Filler Tube	
‡*524A	271983	Seal – Filler Plug	
*537	805655	Gasket – Air Cleaner	
*722	805483	Seal – Breather Screw	
‡*842	805386	O–Ring	
*883	805024	Gasket – Exhaust Manifold	
*978	805250	Gasket – Oil Filter Adapter	
‡*1022	805028	Gasket – Valve Cover	

*Included in Gasket Set – Part No. 807989.

‡Included in Valve Overhaul Kit – Part No. 807990.



Assemblies include all parts shown in frames.

ENGINE BRIGGS & STRATTON MODEL 303447-0479-01

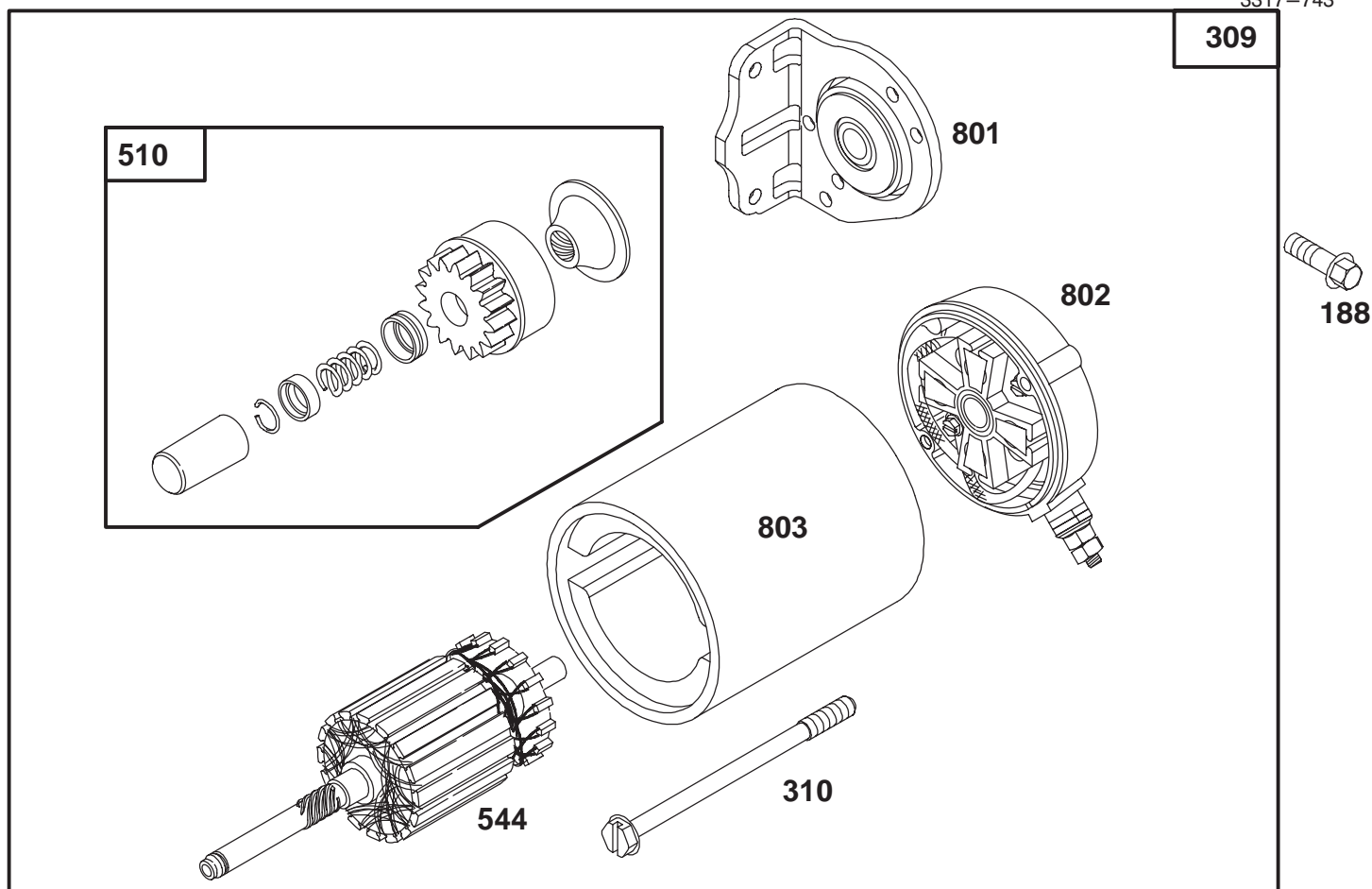
Ref. No.	Part No.	Description	No. Used
‡6	805193	Washer – Cylinder Head	
*‡7	807986	Gasket – Cylinder Head	
*9	805379	Gasket – Breather	
*‡52	805023	Gasket – Carburetor Mtg.	
†102	805541	Gasket – Intake Elbow	
†104	805545	Pin – Float Hinge	
†105	805547	Valve – Fuel Inlet	
†117	805548	Jet – Main	
†118	807719	Valve – Idle Adjusting Needle	
121	807726	Carburetor Kit	
†127	805559	Plug – Welch	

Ref. No.	Part No.	Description	No. Used
†147	805553	Jet – Slow Speed	
*‡167	805420	Washer – Valve Cover	
‡171	805019	Nut – Nylock	
‡*524A	271983	Seal – Filler Plug	
†634A	805557	Collar – Throttle	
†634B	805543	Collar – Choke	
*722	805483	Seal – Breather Screw	
*‡883	805024	Gasket – Exhaust Manifold	
†987	805544	Seal – Shaft	
*‡1022	805028	Gasket – Valve Cover	
1033	807990	Overhaul Kit – Valve	
1036	807688	Gasket Set – Breather	

*Included in Gasket Set – Part No. 807989.

†Included in Carburetor Kit – Part No. 807726.

‡Included in Valve Overhaul Kit – Part No. 807990.



Assemblies include all parts shown in frames.

ENGINE BRIGGS & STRATTON MODEL 303447-0479-01

Ref. No.	Part No.	Description	No. Used
188	805247	Screw – Hex. Head	
309	808106	Motor – Starting	
310	496880	Bolt – Thru	
510	496881	Drive – Starter	
544	496816	Armature – Starter	

Ref. No.	Part No.	Description	No. Used
801	496814	Cap Assy. – Drive	
802	496813	Cap Assy. – Commutator Includes: 496887 Brush Set	
803	496815	Housing – Starter	

TORO PART NUMBER INDEX

Part No.	Description	Pg. No.	Ref. No.	Qty.	Part No.	Description	Pg. No.	Ref. No.	Qty.
3-0348	Bushing – Sleeve	3	11	6	27-2270	Rod – Brake Adjusting	1	29	2
3-0348	Bushing – Sleeve	4	14	6	27-2320	Bearing – Flange	10	7	2
3-0348	Bushing – Sleeve	6	22	6	27-2320	Bearing – Flange	1	33	2
3-1506	Bushing – Flange	3	16	4	27-2380	Spacer	20	32	2
3-1506	Bushing – Flange	4	30	4	27-2540	Spacer – Hub	6	31	1
3-1506	Bushing – Flange	6	38	4	27-2550	Pin – Pivot	6	27	1
3-4808	Nut – Wing	34	1	1	27-2830	Decal – Parking Brake	1	9	1
3-6657	Clip – Skid	34	4	2	27-6600	Spacer – Coupling	27	15	4
3-6685	Spring – Compression	19	17	1	28-1400	Battery	20	11	1
5-0946	Key – Square	27	12	1	28-3680	Tire	8	2	2
5-0946	Key – Square	28	16	1	28-3680	Tire	29	9	1
5-1226	Washer – Shim	3	10	2	28-4210	Solenoid – Starter	20	5	1
5-1226	Washer – Shim	4	16	2	28-7890	Module – Interlock	21	26	1
5-1226	Washer – Shim	6	24	2	28-8080	Boot Terminal	20	13	1
5-3934	Bolt – Castor	29	20	1	29-9080	Handle	33	3	1
8-7710	Ball Joint Receiver Assy.	4	4	2	29-9090	Hose – Handle	33	4	1
8-7710	Ball Joint Receiver Assy.	6	4	2	36-4310	Brush	33	5	1
8-7710	Ball Joint Receiver Assy.	3	25	2	37-8130	Basket – Grass	2	*	3
10-6060	Pin – Lift Cylinder	3	7	1	38-0410	Nut – Hex.	14	53	1
10-6060	Pin – Pivot	4	19	1	38-0410	Nut – Hex.	16	59	1
10-6090	Pin – Pivot	4	33	1	39-9600	Clamp – Mounting	21	9	1
10-6090	Pin – Pivot	3	37	1	42-2680	Race R. Detent	13	46	1
10-6090	Pin – Pivot	6	41	1	43-2830	Nut – Hex	26	33	1
10-6110	Pin – Hinge	3	3	1	43-5220	Ring – Retaining	7	10	1
10-6110	Pin – Pivot	4	24	1	43-5230	Shaft & Clevis	7	11	1
10-6821	Brake Drum Assembly	8	*	2	43-5930	Washer – Lock	26	25	2
10-6830	Stud – Drive	29	17	4	43-8600	Spring – Compression	19	21	1
10-6850	Drum – Brake	8	6	2	43-8610	Seat – Ball	19	20	1
10-6870	Hub – Wheel	8	5	2	43-8620	Guide – Switch	19	23	1
10-7070	Key – Square	27	20	1	43-8860	Plunger – Switch	19	22	1
10-7820	Pivot Hinge Assembly	3	12	1	43-8870	Boot – Switch	19	26	1
10-7820	Pivot Hinge Assembly	4	25	1	43-9071	Seat Switch Assembly	19	*	1
10-7820	Pivot Hinge Assembly	6	33	1	44-0870	Shaft – Cam	10	5	1
10-7850	Latch – Parking Brake	1	23	1	44-2230	Coupling – Rubber	27	16	1
10-7880	Hinge – Upper	1	8	1	44-5560	Head – Oil Filter	20	27	1
10-7890	Hinge – Lower	1	22	1	46-8560	Screw – Self Taping	20	20	3
10-8100	Strap – Brake Shaft	1	31	2	47-2890	Bushing – Sleeve	17	20	2
10-8110	Washer – Thrust	3	9	6	47-5320	Lever – Control	10	40	1
10-8110	Washer – Thrust	4	15	6	47-6990	Nut – Steering Wheel	17	10	1
10-8110	Washer – Thrust	6	23	6	48-7610	Screw – Cap Hex. Hd.	24	9	1
10-8140	Spring – Torsion	1	7	1	48-7620	Screw – Cap Hex. Hd.	26	36	1
11-0160	Roller Shaft Screw Assy.	3	14	2	49-5430	Rod – Control	10	1	1
11-0160	Roller Shaft Screw Assy.	4	28	2	49-5430	Rod – Control	1	4	1
11-0160	Roller Shaft Screw Assy.	6	36	2	49-5880	Shaft – Seat Support	19	27	1
12-3270	Screw – Hex. Washer Hd.	26	17	4	49-6110	Guard – Transfer Rod	1	6	1
12-3270	Screw – Hex. Washer Hd.	10	38	1	49-6120	Pad – Footrest	1	13	1
12-3270	Screw – Thread Forming	12	50	1	49-6200	Lever – Cutting Control	2	42	1
12-9140	Decal	33	1	1	49-6220	Bracket – Control Arm	10	9	1
18-6320	Washer – Steering	29	7	4	49-6250	Bracket – Traction Pivot	10	35	1
20-0070	Tube	34	5	1	49-6260	Assy. – Pivot, Traction	10	21	1
20-0080	Rod	34	7	1	49-6290	Shaft – Traction Pivot	10	37	1
20-0110	Bracket – Alignment	34	2	1	49-6440	Pedal – Forward	10	42	1
21-8470	Shaft – Roller	3	21	1	51-0350	Pin – Seat Spring	19	16	1
21-8470	Shaft – Roller	4	36	1	51-0780	Slider – Seat	19	31	1
21-8470	Shaft – Roller	6	44	1	51-0790	Adjuster – Seat	19	6	1
22-6090	Washer – Thrust	33	4	1	52-1990	Piston	5	3	1
23-8840	Puller – Bolt	33	3	1	52-2720	Roller Assembly	3	20	1
23-8850	Tube – Support	33	5	1	52-2720	Roller Assembly	4	35	1
23-8860	Pin – Bearing Rplcmnt.	33	6	1	52-2720	Roller Assembly	6	43	1
23-8880	Driver – Bearing	33	1	2	52-5860	Collar – Spool	16	51	1
26-3790	Nut – Lock	8	4	2	52-5880	Ball – Steel	13	47	12
27-1960	Hub – Engine	27	21	1	52-5900	Screw – Fillister Hd.	15	37	4
27-1970	Hub – Pump	27	22	1	52-9230	Ring – Retaining	18	2	1

*Not Illustrated

TORO PART NUMBER INDEX (Cont.)

Part No.	Description	Pg. No.	Ref. No.	Qty.	Part No.	Description	Pg. No.	Ref. No.	Qty.
52-9260	Screw - Set	18	26	1	68-5140	Cap - Steering Wheel	17	9	1
52-9270	Seat - Ball Check	18	24	1	68-5260	Fitting - Manifold Tee	11	37	1
52-9280	Ball - Check	18	22	1	68-5310	Clip - Seat Rod	19	12	1
52-9290	Retainer - Ball Check	18	21	1	68-5380	Lift Arm Assembly	6	21	1
56-2230	Hose - Fuel	24	17	1	68-5560	Pin - Cylinder Pivot	6	26	1
56-7720	Bolt - Battery	20	17	2	68-5880	Hose - Hydraulic	20	30	1
56-7970	Clamp Half - Tube	2	45	2	68-6150	Breather	23	44	1
56-7980	Sleeve - Protective	31	21	3	69-9760	Plate - Cover	2	50	1
56-7981	Sleeve - Protective	31	22	1	70-2770	Head	7	8	1
56-7986	Sleeve - Protective	31	19	1	70-2780	Piston	7	4	1
56-7987	Sleeve - Protective	31	20	1	70-7130	Tube Assy.	11	3	1
57-6140	Clamp Half - Tube	8	20	2	70-7150	Hose - Hydraulic	12	48	1
57-6220	Link	10	17	5	70-8130	Barrel	7	1	1
57-7650	Spring - Torsion	4	11	1	70-8250	Drive	18	16	1
57-7650	Spring - Torsion	6	18	1	70-8610	Hose - Hydraulic	12	51	1
57-7650	Spring - Torsion	3	32	1	70-9800	Reel Motor Assembly	31	8	3
58-6520	Decal - Grease	29	36	2	70-9840	Shoe - Brake	8	8	4
58-6530	Decal - Hydraulic Oil	19	33	1	70-9850	Clip - Retaining	8	23	2
59-6730	Race - Bearing	18	8	2	70-9860	Cam - Brake	8	27	2
59-6740	Bearing - Needle Thrust	18	9	1	70-9870	Plate - Backing	8	10	2
59-6830	Centering Pin Kit	18	20	1	70-9880	Spring - Return	8	7	4
61-3310	Plate - Logo	20	21	1	71-0990	Orifice	11	43	1
62-2390	Bar - Lift L.H.	3	30	1	71-1500	Brake Assembly	8	*	2
62-2420	Bar - Lift	6	8	1	71-1510	Arm - Brake	8	24	2
62-2420	Bar - Lift	4	9	1	71-3620	Decal - Engine RPM	26	13	1
62-2440	Lift Arm Assembly	4	8	1	72-3850	Seal - Filter	20	28	1
62-2460	Lift Arm Assembly L.H.	3	29	1	72-4320	Switch - Ball	19	18	1
62-5070	Decal - Danger	3	13	1	72-4380	Seal Kit	32	*	1
62-5070	Decal - Danger	4	3	1	72-4390	Repair Kit	32	*	
62-5070	Decal - Danger	6	3	1	72-4790	Hold-Down - Battery	20	16	1
63-3810	Hydraulic Hose Assembly	31	1	1	74-0720	Tube - Manual	19	3	1
63-3820	Hydraulic Hose Assembly	31	2	1	74-3570	Filter - Hydraulic Oil	20	29	1
63-3830	Hydraulic Hose Assembly	31	13	1	74-3730	Spacer - Hub	29	11	2
63-3840	Hose - Hydraulic	11	36	1	74-3830	Hose - Hydraulic	11	28	1
63-3840	Hydraulic Hose Assembly	31	5	1	74-3830	Hydraulic Hose Assembly	31	12	1
63-3850	Hose - Hydraulic	11	31	1	74-9100	Pad - Forward Pedal	10	25	1
63-3850	Hose - Hydraulic	3	39	1	74-9110	Pad - Reverse Pedal	10	23	1
63-3870	Hydraulic Hose Assembly	31	16	1	75-0540	Tether - Cap	23	9	1
63-3880	Hose - Hydraulic	11	18	1	75-9440	Hub - Wheel	29	15	1
63-3880	Hose - Hydraulic	11	29	1	76-0800	Seal Kit	9	*	1
63-3880	Hose - Hydraulic	4	39	2	76-0810	Housing Assembly	9	*	1
63-4020	Tube - Hydraulic	31	17	1	76-0840	Manifold	9	22	1
63-4020	Tube - Hydraulic	11	40	1	76-0850	Bearing - Thrust	9	12	1
63-4030	Tube - Hydraulic	31	18	1	76-0860	Shaft - Coupling	9	11	1
63-4030	Tube - Hydraulic	11	41	1	76-0870	Plate - Wear	9	18	1
63-4040	Hydraulic Tube Assembly	31	4	1	76-0880	Commutator Assembly	9	*	1
63-4040	Tube - Hydraulic	11	35	1	76-0940	End Cover Assembly	9	24	1
63-4050	Fitting - Tee	11	42	2	76-1850	Clevis	5	13	1
63-8360	Key - Ignition	21	17	1	76-1860	Shaft	5	6	1
63-8410	Washer - Flat	24	4	4	77-0480	Screw - Traction Stop	10	34	1
63-8410	Washer - Flat	23	36	3	80-9330	Audio Alarm Assembly	21	25	1
63-8440	Decal - Warning Hot	26	34	1	83-0010	Engine Assembly	26	15	1
63-8750	Pin - Pivot	6	9	1	83-0020	Ignition Switch Assembly	21	14	1
63-8750	Pin - Pivot	4	10	1	83-0030	Control - Throttle	21	12	1
63-8750	Pin - Pivot	3	33	1	83-0040	Control - Choke	21	13	1
65-4860	Head	5	9	1	83-0060	Lift - Pivot	1	26	1
65-6390	Washer - Thrust	17	13	1	83-0080	Spring - Torsion	1	25	1
65-8320	Bar - Gauge	2	*	1	83-0140	Pedal - Mow	2	38	1
66-2950	Gauge - Hourmeter	21	5	1	83-0160	Shaft - Brake	2	48	1
67-1300	Decal - TORO	20	39	1	83-0190	Cover - R.H.	8	18	1
67-8113	Cap - End	18	18	1	83-0200	Cover - L.H.	1	17	1
68-5100	Rod - Seat Prop	19	10	1	83-0540	Pedal - Traction	10	24	1
68-5130	Steering Wheel Assembly	17	11	1	83-0580	Rod - Traction Control	10	32	1

*Not Illustrated

TORO PART NUMBER INDEX (Cont.)

Part No.	Description	Pg. No.	Ref. No.	Qty.	Part No.	Description	Pg. No.	Ref. No.	Qty.
83-0630	Arm - Traction Pivot	10	29	1	83-1700	Bushing - Flange	8	33	2
83-0640	Plate - Footrest	1	12	1	83-1700	Bushing - Flange	17	35	1
83-0650	Arm - Steering	17	3	1	83-1780	Decal - Service	19	34	1
83-0700	Handle - Lockup	17	18	1	83-1790	Decal - Warning	17	5	1
83-0730	Spacer - Lockup	17	15	1	83-1840	Cover - R.H.	19	32	1
83-0740	Disc - Friction	17	14	2	83-1850	Decal - Traction	20	38	1
83-0750	Screw - Cap Hex. Hd. L.H.	17	6	1	83-1860	Centering Spring Kit	18	12	1
83-0760	Plate - Lockup	17	16	1	83-1870	Gerotor	18	17	1
83-0780	Support - Steering Valve	17	4	1	83-1880	Control Parts Assembly	18	*	1
83-0810	Cover - Steering Valve	17	25	1	83-1890	Switch - Ball	14	54	1
83-0820	Gauge - Ammeter	21	4	1	83-1890	Switch - Ball	16	60	1
83-0830	Panel - Control Upper	20	33	1	83-1940	Guard - Pump	27	30	1
83-0840	Fender - L.H.	20	19	1	83-2000	Spool - Valve	23	42	1
83-0850	Plate - Control Panel	21	2	1	83-2010	Coil - Valve	23	43	1
83-0870	Fitting - Hydraulic Straight	23	32	3	83-2030	Plate - Filler	21	3	1
83-0910	Hose - Hydraulic	23	30	2	83-2040	Hose - Fuel	24	14	1
83-0910	Hose - Pump	27	11	2	83-2041	Hose - Fuel	24	11	1
83-1030	Mount - Engine	26	4	3	83-2050	Decal - Steering Arm	17	32	1
83-1040	Washer - Mount	26	2	3	83-2070	Hose - Valve	23	14	1
83-1050	Spacer - Mount	26	3	2	83-2080	Hose - Valve-Tank	23	29	1
83-1060	Adapter - Pump	26	10	1	83-2090	Hose - Overflow	23	15	1
83-1080	Pipe - Exhaust	26	7	1	83-2100	Tank - Auxiliary Hydraulic	23	26	1
83-1100	Harness - Wire (Main)	22	1	1	83-2200	Nut - Special	24	8	1
83-1100	Harness - Wire (Main)	21	8	1	83-2220	Deflector - Exhaust	26	20	1
83-1110	Harness - Wire (Engine)	22	2	1	83-2230	Screw - Cap Hex. Hd.	26	22	4
83-1150	Wire - Engine Ground	22	5	1	83-2240	Arrestor - Spark	26	*	1
83-1160	Wire - Solenoid-Starter	22	3	1	83-2250	Guage - Sight	23	25	1
83-1170	Hose - Hydraulic	11	22	1	83-2280	Timer - Relay	21	27	1
83-1170	Hose - Hydraulic	27	28	1	83-2310	Shield	26	35	1
83-1180	Hose - Hydraulic	11	6	1	83-2330	Hydraulic Cylinder Assy.	29	33	1
83-1180	Hose - Hydraulic	27	8	1	83-2340	Cap - Threaded	30	2	2
83-1190	Hose - Hydraulic	27	1	2	83-2350	Cap - Head, Thread	30	5	2
83-1190	Hose - Hydraulic	11	10	2	83-2360	Assembly - Rod	30	9	1
83-1200	Tube Assy.	11	5	1	83-2370	Assembly - Barrel	30	12	1
83-1220	Plate - Clamp	8	21	1	83-2380	Kit - Seal Repair	30	*	1
83-1270	Seat Support Assembly	19	7	1	83-2390	Pad - Tank	23	2	1
83-1350	Hose - Hydraulic	27	7	1	83-2400	Spacer - Tank	23	1	2
83-1350	Hose - Hydraulic	17	26	2	83-2420	Wire - Solenoid-Battery	22	4	1
83-1350	Hose - Hydraulic	29	28	1	83-2450	Hose - Hydraulic	11	1	1
83-1350	Hose - Hydraulic	12	45	1	83-2450	Hose - Hydraulic (Top)	8	34	1
83-1360	Hose - Hydraulic	17	27	1	83-2460	Hose - Hydraulic	11	4	1
83-1360	Hose - Hydraulic	29	30	1	83-2460	Hose - Hydraulic (Bottom)	8	*	1
83-1370	Hose - Hydraulic	17	28	1	83-2580	Cylinder - Lift	3	6	1
83-1390	Fitting - Fuel Shut-Off	24	15	1	83-2580	Hydraulic Cylinder Assy.	4	22	1
83-1400	Shield - Muffler	26	16	1	83-2590	Bolt - Shoulder	2	47	1
83-1420	Column - Steering	17	23	1	83-7230	Hydraulic Cylinder Assembly	6	10	1
83-1430	Hose - Hydraulic	20	23	1	84-2000	Bracket - Brake	8	12	2
83-1430	Hose - Hydraulic	23	34	1	84-2203	Control Valve Assembly	16	*	1
83-1450	Sensor - Oil Level	23	3	1	84-2203	Control Valve Assembly	11	16	1
83-1460	Solenoid Valve Assembly	23	28	1	84-5300	Nut - Jam	29	5	1
83-1470	Washer - Neoprene	23	18	4	85-6540	Stud - Drive	8	28	8
83-1520	Screen - Filler	23	6	1	85-8120	Plate - Engine Mount	26	28	1
83-1530	Bracket - Alarm	21	23	1	86-5360	Repair Kit	7	*	1
83-1550	Spacer - Tank (Short)	23	17	2	86-5390	Seal Kit	5	*	1
83-1560	Spacer - Tank (Long)	23	23	2	88-9500	Needle Valve Assembly	12	*	1
83-1630	Bracket - Muffler Support	26	24	1	88-9620	Decal - Greensmaster 3100	2	46	1
83-1640	Rod End Assembly	29	6	1	88-9630	Lift Pivot Bracket R.H.	2	40	1
83-1660	Switch Assembly	21	6	1	88-9640	Lift Pivot Bracket L.H.	1	28	1
83-1670	Fitting - Special	11	27	1	88-9660	Shaft - Cutting Control	2	36	1
83-1680	Hose - Hydraulic	6	13	1	88-9700	Hose - Hydraulic	6	15	1
83-1680	Hose - Hydraulic	11	30	1	88-9700	Hose - Hydraulic	11	20	1
83-1690	Hose - Hydraulic	11	21	1	92-0585	Pull Arm Assembly R.H.	3	19	1
83-1690	Hose - Hydraulic	3	40	1	92-0585	Pull Arm Assembly R.H.	4	34	1

*Not Illustrated

TORO PART NUMBER INDEX (Cont.)

Part No.	Description	Pg. Ref. No. No. Qty.	Part No.	Description	Pg. Ref. No. No. Qty.
92-0585	Pull Arm Assembly R.H.	6 42 1	218-461	Nut - Hex.	21 16 1
92-0586	Pull Arm Assembly L.H.	3 17 1	218-461	Nut - Hex.	19 25 2
92-0586	Pull Arm Assembly L.H.	4 31 1	218-594	Fuse - 20 Amp	21 7 1
92-0586	Pull Arm Assembly L.H.	6 39 1	2112-11	Clamp - Muffler	26 14 1
92-0587	Fitting - Valve Body	11 17 1	232-24	Stem - Valve	8 1 2
92-0588	Valve - Needle	12 53 1	232-24	Valve Stem w/Cap	29 18 1
92-1180	Seat Assembly	19 5 1	233-48	Knob	10 11 1
92-2545	Seals - Spool	14 * 1	233-48	Knob	17 17 1
92-2545	Seals - Spool	16 * 1	237-7	Seal - O-Ring	19 24 1
92-2546	Wiper - Seal	13 25 4	237-21	Seal - O-Ring	27 6 1
92-2546	Wiper - Seal	16 64 5	237-21	Seal - O-Ring	11 19 6
92-2547	Plate - Seal Retainer	15 18 5	237-21	Seal - O-Ring	17 29 4
92-2547	Plate - Seal Retainer	13 24 4	237-21	Seal - O-Ring	29 31 2
92-2548	Seals - Spool	14 * 1	237-22	Seal - O-Ring	27 2 3
92-2548	Seals - Spool	16 * 1	237-22	Seal - O-Ring	11 11 6
92-2549	Seals - Spool	16 * 1	237-22	Seal - O-Ring	31 11 5
92-3058	Spring - Centering	13 41 1	237-30	Seal - O-Ring	31 3 5
92-3148	Spring	15 23 1	237-30	Seal - O-Ring	11 7 2
92-4063	Plug - Filler Cap	23 7 1	237-30	Seal - O-Ring	19 19 1
92-6533	Kit - Cushion	19 35 1	237-30	Seal - O-Ring	27 27 1
92-6534	Shell	19 36 1	237-35	Seal - O-Ring	6 11 2
92-7189	Tank - Fuel	24 2 1	237-42	Seal - O-Ring	27 4 4
92-8020	Adapter - Breather	23 21 1	237-42	Seal - O-Ring	31 9 3
92-8690	Steering - Valve Assembly	17 24 1	237-42	Seal - O-Ring	11 15 4
92-8691	Bushing - Seal Gland	18 3 1	237-42	Seal - O-Ring	17 31 4
92-8695	Seal Kit	18 * 1	237-54	O-Ring	15 3 6
92-8696	Screw - Torx Hd.	18 19 7	237-54	O-Ring	13 6 8
92-8697	Plate - Wear	18 15 1	237-58	Seal - O-Ring	11 34 1
92-8966	Reservoir - Hydraulic	23 5 1	237-65	Seal - O-Ring	11 2 6
92-9164	Frame Assembly	20 18 1	237-65	Seal - O-Ring	8 15 4
92-9176	Frame - Pull L.H.	3 24 1	237-78	Seal - O-Ring	6 14 2
92-9177	Frame - Pull R.H.	4 1 1	237-78	Seal - O-Ring	29 32 2
92-9177	Frame - Pull Rear	6 1 1	237-78	Seal - O-Ring	3 38 2
92-9199	Motor - Hydraulic	8 22 2	237-78	Seal - O-Ring	4 38 2
92-9761	Link - Drive	9 13 7	237-79	Seal - O-Ring	31 7 3
92-9762	Screw - Cap Hex. Hd.	9 14 1	237-79	Seal - O-Ring	11 9 4
92-9763	Rotor Set	9 * 1	237-79	Seal - O-Ring	23 11 5
92-9764	Hydraulic Pump Assembly	27 9 2	237-80	Seal - O-Ring	23 4 1
92-9766	Plate - Gear 66B	28 14 1	237-80	Seal - O-Ring	8 13 4
92-9772	Shaft - Drive	28 20 1	237-80	Seal - O-Ring	27 25 1
92-9773	Gear - 66B	28 21 1	237-80	Seal - O-Ring	11 32 3
92-9774	Idler Shaft - Gear Assy.	28 12 1	237-81	Seal - O-Ring	11 38 1
93-1386	Section #5 Assembly	16 * 1	237-101	Seal - O-Ring	20 26 2
93-2524	Fork - Castor	29 19 1	237-123	Seal - O-Ring	23 24 1
93-3101	Cap - Fuel	24 1 1	237-143	Grommet	20 40 2
93-3651	Retainer - Boot	13 22 2	237-177	Seal - O-Ring	23 33 3
93-3651	Retainer - Boot	15 47 3	240-11	Grommet	24 3 4
93-3652	Boot - Spool Assembly	14 * 2	240-11	Grommet	23 37 3
93-3652	Boot - Spool Assembly	16 * 3	242-50	Nut - Lug	29 8 4
93-7160	Cap - Hydraulic Reservoir	23 8 1	242-50	Nut - Lug	8 29 8
93-7629	Pad - Brake	2 49 1	2410-18	Plug	33 2 1
93-7630	Pad - Mow	2 39 1	2410-73	Retainer - Tether	23 10 1
93-7631	Pad - Lift	2 37 1	2411-42	Joint - Ball L.H. Thread	10 30 1
93-8075	Decal - Mow/Lift	1 14 1	2411-43	Joint - Ball R.H. Thread	10 33 1
93-9346	Clamp - Pressure Hose	31 23 6	2412-34	Clamp - Hose	27 10 2
93-9347	Clamp - Return Hose	31 24 6	2412-34	Clamp - Hose	20 24 2
93-9934	Traction Handle Assembly	10 12 1	2412-34	Clamp - Hose	23 31 3
93-9936	Bracket - Cable	10 44 1	2412-36	Clamp - Hose	23 13 4
93-9937	Cable - Traction Return	10 45 1	2412-36	Clamp - Hose	24 16 2
94-2690	Filter - Fuel	24 13 1	2412-39	Clamp - R	21 28 1
94-2694	Cover - R.H.	20 2 1	2412-41	Clamp - R	24 5 3
217-60	Rim	8 3 2	2412-41	Clamp-R	12 47 2
217-60	Rim	29 10 1	2412-94	Clamp - R	24 10 1

*Not Illustrated

TORO PART NUMBER INDEX (Cont.)

Part No.	Description	Pg. No.	Ref. No.	Qty.	Part No.	Description	Pg. No.	Ref. No.	Qty.
2412-108	Clamp - Hose	24	12	4	322-14	Screw - Cap Hex. Hd.	11	39	3
2412-133	Clamp - R	19	4	2	322-29	Screw - Cap Hex. Hd.	23	22	2
2412-141	Clamp - Hose	23	41	2	323-4	Screw - Cap Hex. Hd.	17	7	2
250-6	Tie - Cable	26	*	2	323-6	Screw - Cap Hex. Hd.	24	6	3
251-141	Bearing - Ball	3	22	2	323-6	Screw - Cap Hex. Hd.	23	35	3
251-141	Bearing - Ball	4	37	2	323-8	Screw - Cap Hex. Hd.	27	24	2
251-141	Bearing - Ball	6	45	2	323-12	Screw - Cap Hex. Hd.	26	1	3
253-111	Seal - Shaft	29	12	2	323-13	Screw - Cap Hex. Hd.	1	5	4
254-61	Cup - Bearing	29	3	2	324-7	Screw - Cap Hex. Hd.	26	30	4
254-70	Cone - Bearing	29	4	2	325-4	Screw - Cap Hex. Hd.	17	19	2
254-78	Cone - Bearing	29	13	2	325-11	Screw - Cap Hex. Hd.	8	9	8
254-79	Cup - Bearing	29	14	2	3211-2	Screw - Cap Hex. Hd.	10	19	2
256-2	Bushing - Sleeve	10	20	2	3217-5	Nut - Hex.	20	12	2
256-155	Bushing - Flange	10	26	2	3217-6	Nut - Hex.	10	48	1
256-155	Bushing - Flange	19	28	2	3217-6	Nut - Lock	28	1	4
256-251	Bushing - Sleeve	10	10	2	3217-7	Nut - Hex	13	33	3
282-2	Clevis - Adjusting	1	2	5	3217-12	Nut - Lock	29	26	1
282-2	Clevis - Rod	10	3	1	3218-13	Nut - Jam	20	8	2
283-8	Pin - Clevis	3	4	1	3219-2	Nut - Hex.	34	6	1
283-8	Pin - Clevis	4	18	1	3219-2	Nut - Hex.	10	49	1
283-57	Pin - Clevis	10	8	1	3219-14	Nut - Hex.	20	7	2
283-61	Pin - Clevis	1	1	5	3219-14	Nut - Hex.	21	10	6
283-61	Pin - Clevis	10	4	1	3219-18	Nut - Hex.	33	2	1
283-62	Pin - Clevis	10	46	1	3220-2	Nut - Jam	10	2	1
302-2	Fitting - Grease	6	17	1	3220-2	Nut - Jam	1	3	5
302-2	Fitting - Grease	4	23	1	3220-3	Nut - Jam	4	2	2
302-2	Fitting - Grease Straight	3	34	1	3220-3	Nut - Jam	6	2	2
302-5	Fitting - Grease	30	13	1	3220-3	Nut - Jam	3	23	2
302-5	Fitting - Grease	1	27	1	3220-6	Nut - Jam	5	14	1
302-5	Fitting - Grease	4	29	4	3220-6	Nut - Jam	29	21	2
302-5	Fitting - Grease Straight	3	15	4	3220-20	Nut - Jam L.H. Thread	10	31	1
302-5	Fitting - Grease Straight	6	37	5	3229-22	Bolt - Carriage	1	10	2
302-11	Fitting - Grease	29	2	1	3234-1	Screw - Cap Hex. Hd.	2	53	4
302-55	Fitting - Grease	29	16	1	3234-1	Screw - Hex. Flange Hd.	10	6	4
302-60	Fitting - Grease 90°	3	8	2	3234-4	Screw - Cap Hex. Hd.	12	46	1
302-60	Fitting - Grease 90°	4	17	2	3241-2	Screw - Set Square Hd.	27	19	2
302-60	Fitting - Grease 90°	6	32	1	3241-6	Screw - Set Square Hd.	27	13	2
304-61	Clamp - R	11	23	1	3245-1	Screw - Set, Hex. Soc. Hd.	30	1	2
321-2	Screw - Cap Hex. Hd.	23	16	1	3246-3	Screw - Set	17	12	1
321-3	Screw - Cap Hex. Hd.	20	10	4	3253-3	Washer - Lock	26	26	4
321-3	Screw - Cap Hex. Hd.	19	13	1	3253-3	Washer - Lock	23	39	2
321-3	Screw - Cap Hex. Hd.	2	52	3	3253-3	Washer - Lock	16	57	4
321-4	Screw - Cap Hex. Hd.	21	21	1	3253-4	Washer - Lock	19	2	2
321-4	Screw - Cap Hex. Hd.	26	27	4	3253-4	Washer - Lock	20	9	2
321-4	Screw - Cap Hex. Hd.	8	31	1	3253-6	Washer - Lock	26	29	4
321-4	Screw - Hex. Flange Hd.	1	16	2	3253-21	Washer - Lock	27	23	2
321-5	Screw - Cap Hex. Hd.	8	26	8	3253-21	Washer - Lock	4	27	2
321-11	Screw - Cap Hex. Hd.	23	40	2	3253-21	Washer - Lock	3	35	2
321-11	Screw - Cap Hex. Hd.	2	43	1	3253-21	Washer - Lock	6	35	2
321-11	Screw - Hex. Washer Hd.	8	17	1	3254-1	Washer - Lock	20	6	2
322-1	Screw - Cap Hex. Hd.	3	1	3	3254-5	Washer - Lock	21	15	1
322-1	Screw - Cap Hex. Hd.	4	21	3	3254-6	Washer - I.T.L.W.	10	18	2
322-1	Screw - Cap Hex. Hd.	6	30	2	3255-7	Washer - Lock	21	29	1
322-1	Screw - Cap Hex. Hd.	27	31	2	3255-8	Washer - Lock, Int. Tooth	34	9	1
322-2	Screw - Cap Hex. Hd.	19	1	2	3256-1	Washer - Flat	26	18	8
322-3	Screw - Cap Hex. Hd.	6	25	1	3256-1	Washer - Flat	21	20	8
322-3	Screw - Cap Hex. Hd.	26	32	6	3256-1	Washer - Flat	2	51	9
322-4	Screw - Cap Hex. Hd.	27	32	2	3256-22	Washer - Flat	20	3	5
322-4	Screw - Cap Hex. Hd.	20	36	4	3256-22	Washer - Flat	8	30	2
322-5	Screw - Cap Hex. Hd.	10	36	2	3256-22	Washer - Flat	2	44	1
322-6	Screw - Cap Hex. Hd.	27	18	4	3256-22	Washer - Flat	23	45	1
322-8	Screw - Cap Hex. Hd.	26	21	2	3256-22	Washer - Flat	12	52	1
322-14	Screw - Cap Hex. Hd.	23	20	2	3256-23	Washer - Flat	3	2	3

*Not Illustrated

TORO PART NUMBER INDEX (Cont.)

Part No.	Description	Pg. Ref. No. No. Qty.	Part No.	Description	Pg. Ref. No. No. Qty.
3256-23	Washer - Flat	27 17 8	3296-29	Nut - Lock	10 16 3
3256-23	Washer - Flat	23 19 4	3296-29	Nut - Lock	6 29 1
3256-23	Washer - Flat	4 20 3	3296-39	Nut - Lock	1 20 1
3256-23	Washer - Flat	26 23 2	3296-42	Nut - Lock	8 25 8
3256-23	Washer - Flat	6 28 3	3296-59	Nut - Lock	10 15 4
3256-23	Washer - Flat	19 30 4	3296-59	Nut - Lock	2 34 8
3256-23	Washer - Flat	20 35 4	3296-67	Nut - Lock	29 25 1
3256-24	Washer - Flat	10 14 6	32103-12	Nut - Wing	20 14 2
3256-24	Washer - Flat	4 26 2	32104-76	Screw - Self Tapping	20 1 5
3256-24	Washer - Flat	6 34 2	32108-100	Screw - Flat Hd.	8 16 1
3256-24	Washer - Flat	2 35 9	32120-8	Ring - Retaining	5 10 1
3256-24	Washer - Flat	3 36 2	32121-6	Pin - Roll	10 39 1
3256-26	Washer - Flat	4 12 1	32121-6	Pin - Roll	2 41 1
3256-26	Washer - Flat	6 20 1	32121-35	Pin - Roll	1 32 8
3256-26	Washer - Flat	3 31 1	32121-45	Pin - Roll	19 14 1
3256-26	Washer - Flat	17 34 2	32121-45	Pin - Roll	10 28 1
3256-28	Washer - Flat	29 27 1	32121-51	Pin - Roll	10 43 1
3256-63	Washer - Flat	24 7 1	32122-35	Screw - Truss Head	34 8 1
3256-80	Washer - Flat	17 2 3	32128-20	Nut - Flange Lock	11 24 3
3257-42	Key - Woodruff	8 11 2	32128-20	Nut - Flange Lock	10 27 1
3257-42	Key - Woodruff	9 17 1	32128-20	Nut - Flange Lock	27 29 2
3272-4	Pin - Cotter	10 13 1	32128-20	Nut - Flange Lock	26 31 8
3272-6	Pin - Cotter	1 30 5	32128-20	Nut - Lock, Flange	34 3 1
3272-6	Pin - Cotter	10 41 1	32128-33	Nut - Flange Lock	1 18 2
3272-10	Pin - Cotter	10 47 1	32128-33	Nut - Lock	8 32 1
3272-11	Pin - Cotter	3 5 2	32136-9	Nut - Hex. Slotted	29 34 1
3272-11	Pin - Cotter	19 9 1	32141-111	Nut Flange Lock	1 11 1
3272-11	Pin - Cotter	4 13 2	32144-21	Screw - Round Hd.	17 8 2
3272-11	Pin - Cotter	6 19 1	32148-6	Insert - Threaded	1 19 8
3272-37	Pin - Cotter	29 1 1	32149-2	Nut - Keps	20 37 2
3273-26	Screw - Hex. Socket Hd.	21 18 4	32149-7	Nut - Keps	20 41 2
3274-7	Screw - Socket Hd.	26 9 2	32151-41	Ring - Retaining	32 9 1
3274-12	Screw - Hex. Socket Hd.	19 29 4	32152-10	Nut - Hex.	7 2 1
3274-15	Screw - Fillister Hd.	13 43 2	32152-10	Nut - Lock	5 2 1
3274-31	Screw - Hex. Socket Hd.	1 15 4	340-1	Fitting - Hydraulic Straight	17 30 4
3274-39	Screw - Cap Hex. Hd.	17 21 6	340-14	Fitting - Hydraulic 45°	8 14 4
3274-52	Screw - Hex, Socket Hd.	13 20 4	340-16	Fitting - Hydraulic 90°	11 33 1
3274-52	Screw - Hex. Socket Hd.	15 45 6	340-18	Fitting - Hydraulic 90°	11 13 1
3274-63	Screw - Hex. Socket Hd.	17 33 2	340-77	Fitting - Hydraulic 90°	31 10 2
3274-64	Screw - Hex. Socket Hd.	20 4 3	340-77	Fitting - Hydraulic 90°	11 14 2
3274-69	Screw - Hex. Socket Hd.	21 1 8	340-82	Fitting - Hydraulic 90°	27 5 1
3274-70	Screw - Hex, Socket Hd.	13 1 2	340-87	Fitting - Hydraulic 45°	27 3 3
3274-80	Screw - Cap Hex. Hd.	17 1 3	340-87	Fitting - Hydraulic 45°	31 15 1
3274-84	Screw - Cap, Hex. Hd.	16 58 4	340-98	Fitting - Hydraulic 90°	31 14 2
3284-3	Pin - Groove	19 15 1	340-101	Fitting - Hydraulic 45°	31 6 1
3290-277	Nut - Speed	17 22 6	340-101	Fitting - Hydraulic 45°	11 8 1
3290-317	Washer - Wave	3 18 2	340-103	Fitting - Hydraulic 45°	6 12 2
3290-317	Washer - Wave	4 32 2	340-105	Fitting - Hydraulic 90°	27 26 1
3290-317	Washer - Wave	6 40 2	340-132	Fitting - Hydraulic 90°	29 29 2
3290-357	Nut - Flange Lock	26 8 3	340-137	Fitting - Hydraulic 45°	11 44 1
3290-378	Tie - Cable	26 * 2	340-138	Fitting - Hydraulic 45°	11 12 2
3290-379	Tie - Cable	6 46 1	351-78	Edging	19 40 1
3290-470	Screw - Flat Hd.	20 22 2	353-301	Poppet	13 27 1
3296-4	Nut - Lock	10 22 2	353-302	O-Ring	15 7 3
3296-16	Nut - Lock	19 11 1	353-302	O-Ring	13 10 3
3296-16	Nut - Lock	1 21 2	353-303	Ring - Backup	15 8 6
3296-16	Nut - Lock	21 24 9	353-303	Ring - Backup	13 9 6
3296-16	Nut - Lock	20 34 3	353-304	Spring	13 28 1
3296-16	Nut - Lock	12 49 1	353-305	O-Ring	15 5 5
3296-23	Nut - Lock	8 19 8	353-305	O-Ring	13 8 4
3296-27	Nut - Lock	21 11 4	353-306	Ring - Backup	15 4 5
3296-29	Nut - Lock	19 8 4	353-306	Ring - Backup	13 7 4
3296-29	Nut - Lock	27 14 4	353-328	Washer - Shim	13 15 A/R

*Not Illustrated

TORO PART NUMBER INDEX (Cont.)

Part No.	Description	Pg. No.	Ref. No.	Qty.	Part No.	Description	Pg. No.	Ref. No.	Qty.
353-328	Washer – Shim	15	32	A/R	353-780	Bonnet – R. Detent	13	42	1
353-329	Washer – Shim	13	16	A/R	353-780	Positioner – R. Detent (Out)	14	*	1
353-329	Washer – Shim	15	33	A/R	353-808	Collar – Spring	15	24	1
353-330	Washer – Shim	13	17	A/R	353-829	Collar Spool	15	26	1
353-330	Washer – Shim	15	34	A/R	353-830	O–Ring	15	25	1
353-331	O–Ring	13	29	1	353-831	Spring	15	21	1
353-334	Cap – Relief	13	19	2	353-833	Positioner Assembly	16	*	1
353-334	Cap – Relief	15	36	2	353-835	Seals – Section Set	14	*	1
353-392	Seal – Relief Poppet PTFE	13	13	2	353-835	Seals – Section Set	16	*	1
353-392	Seal – Relief Poppet PTFE	15	30	2	353-837	Section #2 Complete	14	*	1
353-398	Spring	15	35	1	353-839	Positioner – DI (SPL) Assy.	14	*	1
353-417	Collar Spring	15	20	2	353-840	Position – DI (SP) Assy.	16	*	1
353-417	Collar Spring	13	40	2	353-841	Position – Spool Assembly	16	*	1
353-481	Plug – Load Check	15	2	3	353-844	Plus Series	16	55	1
353-481	Plug – Load Check	13	5	3	353-845	Sleeve – Detent	15	41	1
353-483	Body – Anticavitation	16	61	1	353-846	Spud – DI (SPL)	15	40	1
353-484	Retainer – Ball	16	62	1	353-847	Bonnet (SPL)	15	38	1
353-529	Plate Seal	15	22	1	353-848	O–Ring	15	14	1
353-531	Poppet Assembly	15	31	2	353-849	Sleeve	15	39	1
353-531	Poppet Assy.	13	14	2	353-850	O–Ring	16	56	1
353-550	Plug – Hydraulic	23	38	1	353-851	Body – Relief CP–RC Mod.	13	12	1
353-550	Plug Assembly	15	13	1	353-851	Body – Relief CP–RC Mod.	15	29	2
353-563	Fitting – Hydraulic Straight	20	25	1	353-853	Bolt – Hex Hd.	15	10	3
353-564	Fitting – Hydraulic 90°	20	31	1	353-855	Spring	13	18	2
353-575	Boot – Dust Cap	13	21	2	353-855	Spring	15	44	1
353-575	Boot – Dust Cap	15	46	3	353-884	Key – Woodruff	28	19	4
353-579	Spring	13	45	1	353-886	Ring – Retaining	28	18	2
353-586	Bearing – Needle	32	13	4	353-922	Seal – Ring	28	23	10
353-588	Cover – Motor	32	3	1	353-923	Bearing Plate Assembly	28	26	2
353-591	Block – Anti–Extrusion	32	8	1	353-952	Ring – Backup	13	32	1
353-592	Drive Shaft Assembly	32	16	1	353-953	Plug Assembly	16	54	1
353-593	Idler Gear Assembly	32	7	1	353-957	Seal – Lip	15	15	6
353-594	Seal Assembly	32	14	1	353-957	Seal – Lip	13	26	4
353-595	Plate – Wear	32	15	1	353-958	Ring – Backup	15	16	1
353-596	O–Ring	32	17	1	353-967	Gear – 33B	28	24	6
353-597	Bridging – Insert	32	5	1	353-969	Plate – Gear 33B	28	25	3
353-598	Gasket – Insert	32	6	1	354-2	Body Assembly	28	15	1
353-599	Pin – Dowel	32	4	2	354-3	Bearing Plate Assembly	28	22	1
353-600	Washer	32	2	4	354-4	Bearing Plate Assembly	28	28	1
353-601	Screw – Hex Socket Hd.	32	1	4	354-5	Adapter – Splined	28	27	1
353-642	Relief – RC Mod.	14	*	2	354-6	Plate – Gear 18B	28	30	1
353-642	Relief – RC Mod. Assembly	16	*	1	354-7	Cover Assembly	28	31	1
353-668	Plate – Cap, Cover RH	15	11	1	354-8	Drive Shaft – Gear Assy.	28	29	1
353-721	Plug	13	35	2	354-9	Idler Shaft – Gear Assy.	28	5	1
353-727	Bonnet	13	2	1	354-11	Pin – Dowel	28	4	2
353-728	Sleeve	14	49	1	354-12	Pin – Dowel	28	6	2
353-729	Spud – Detent	13	3	1	354-13	Pin – Dowel	28	11	4
353-730	Spring	15	42	1	354-14	Pin – Dowel	28	13	2
353-731	Ball	15	43	1	354-15	Seal – Shaft	28	17	1
353-732	Sleeve – Detent	14	52	1	354-16	Washer – Lock	28	2	4
353-733	Spacer – Bonnet	13	4	1	354-17	Stud – Threaded	28	3	4
353-733	Spacer – Bonnet	15	19	2	354-25	Section #4 Assembly	16	*	1
353-737	Ball	16	63	1	354-26	Bonnet	15	27	2
353-758	Seal – O–Ring	13	31	1	354-28	Screw – Hex, Socket Hd.	15	28	2
353-760	Body Relief	13	30	1	354-29	Plate – Thrust	13	48	1
353-762	Spud – Detent Out	14	50	1	354-35	Gasket	28	32	1
353-763	Cap – Adjustment	13	44	1	354-120	Fitting – Hydraulic 90°	23	27	3
353-766	Relief WH (2000) PSI Assy.	14	*	1	354-121	Fitting – Hydraulic Straight	23	12	1
353-768	Section #1 Complete	14	*	1	354-122	Disc – Seal	16	52	1
353-772	Left End Cover	13	34	1	354-129	Anticavitation Check Assy.	16	*	1
353-777	Body – Motor	32	12	1	354-131	Section #3 Assembly	16	*	1

*Not Illustrated

PRODUCT CHANGES

In an effort to make improvements available to TORO owners as quickly as possible, minor changes are incorporated into Toro's products from time to time that do not become immediately shown in the Parts Catalog. If such a change has been made in your unit, which is not reflected in your manual, see your TORO Distributor or his Authorized TORO Service Dealer for information and part numbers.

IDENTIFICATION AND ORDERING

MODEL AND SERIAL NUMBERS

The Greensmaster 3100 has two identification numbers; a model number and a serial number. The two numbers are stamped on a plate which is located on the main frame under the seat. In any correspondence concerning the Greensmaster 3100, supply model and serial numbers to assure that correct information and replacement parts are obtained.

To order replacement parts from an Authorized TORO Service Dealer, supply the following information:

- 1. Model and serial number of the Greensmaster 3100.
- 2. Part number, description, and the quantity of part(s) desired.

NOTE: Do not order by reference number if a parts catalog is being used; use the PART NUMBER.

TABLE OF CONTENTS

Description	Page	Description	Page
Control Pedal Assembly	1-2	Control Panel Assembly	21
Pull Frame Assembly L.H.	3	Electrical Schematic	22
Pull Frame Assembly R.H.	4	Hydraulic Reservoir Assembly	23
Hydraulic Cylinder Assembly No. 83-1250	5	Fuel Tank Assembly	24
Pull Frame Assembly Rear	6	Hydraulic Schematic	25
Hydraulic Cylinder Assembly No. 83-7230	7	Engine Installation Assembly	26
Front Wheel & Brake Assembly	8	Hydraulic Pump Installation Assembly	27
Hydraulic Drive Motor Assembly No. 92-9199	9	Hydraulic Pump Assembly No. 92-9764	28
Traction Controls Assembly	10	Rear Wheel Assembly	29
Control Valve Installation Assembly	11-12	Hydraulic Cylinder Assembly No. 83-2330	30
Control Valve Assembly No. 84-2203 (Sections 1 & 2)	13-14	Reel Motor Installation Assembly	31
Control Valve Assembly No. 84-2203 (Sections 3 thru 5)	15-16	Reel Motor Assembly No. 70-9800	32
Steering Arm Assembly	17	Special Tools	33-34
Power Steering Valve Assembly No. 92-8690 ...	18	Briggs & Stratton Engine Assembly	
Seat Assembly	19	Model 303447-0479-01	35-45
Frame Assembly	20	International Parts Reference	46-47
		Part Number Index	48-54

