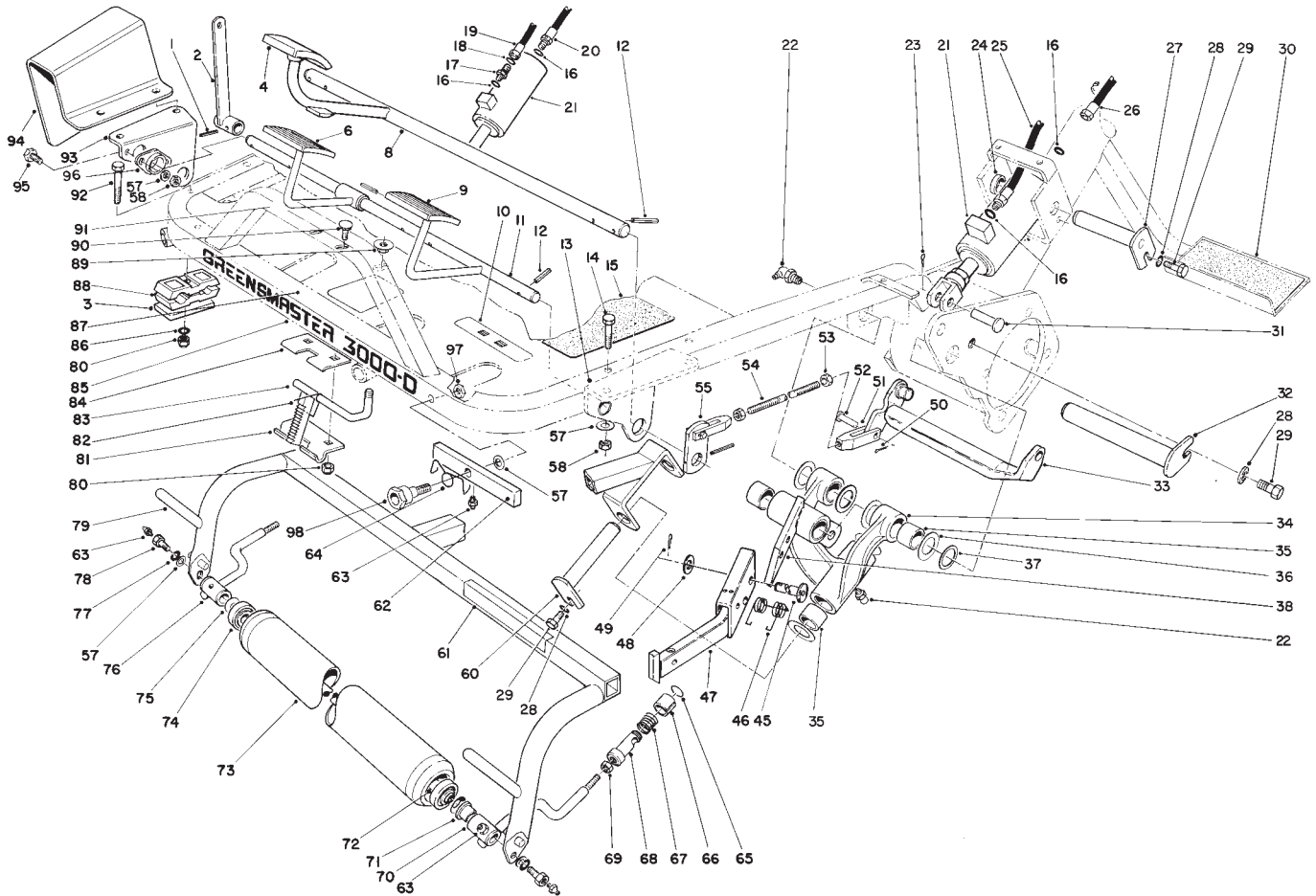




MODEL NO. 04375-50500 & UP

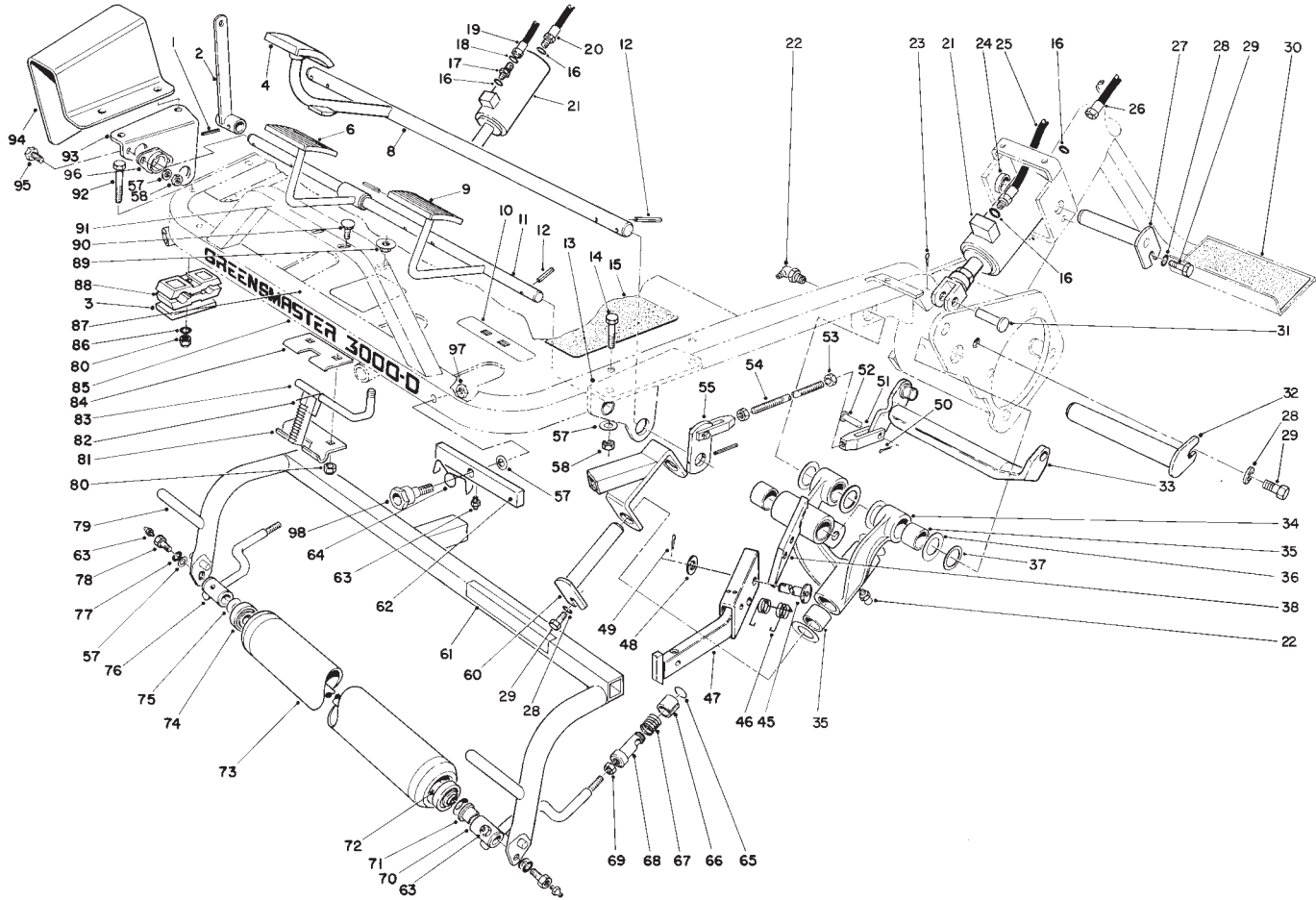
**PARTS
CATALOG**
**GREENMASTER® 3000-D
TRACTION UNIT**


T-0642B

FOOT PEDALS & ROLLER ASSEMBLY

Ref. No.	Part No.	Description	No. Used
1	32121-6	Pin - Roll	1
2	49-6200	Lever - Cutting Control	1
3	69-9760	Plate - Cover	1
4	93-7629	Foot Pad - Brake	1
6	93-7630	Foot Pad - Mow	1
8	83-0160	Brake Shaft	1
9	93-7631	Foot Pad - Lift	1
10	93-8075	Decal - Mow/Lift	1
11	88-9660	Shaft - Cutting Control	1
12	32121-35	Pin - Roll	8
13	88-9640	Lift Pivot Bracket - LH	1
14	323-10	Screw - Cap, Hex Hd.	4
15	49-6120	Pad - Footrest	1
16	237-78	O-Ring	4
17	340-92	Fitting - Straight (Incl. Ref. #16 & 18)	1

Ref. No.	Part No.	Description	No. Used
18	237-21	O-Ring	1
19	63-3950	Hose - Cylinder, Drop RH	1
20	88-9700	Hose - Hydraulic	1
21	84-8290	Hydraulic Cylinder Assy.	2
22	302-60	Fitting - Grease	4
23	3272-11	Pin - Cotter	2
24	74-3730	Spacer - Cylinder	2
25	63-3850	Hose - Cylinder, Drop LH	1
26	63-3890	Hose - Cylinder, Lift LH	1
27	10-6060	Pin - Cylinder, Pivot	2
28	3256-23	Washer - Plain	5
29	322-1	Screw - Cap, Hex. Hd.	5
30	62-2660	Pad - Step	1
31	283-8	Pin - Clevis	2
32	10-6110	Pin - Hinge	2
33	71-1510	Arm - Brake	1

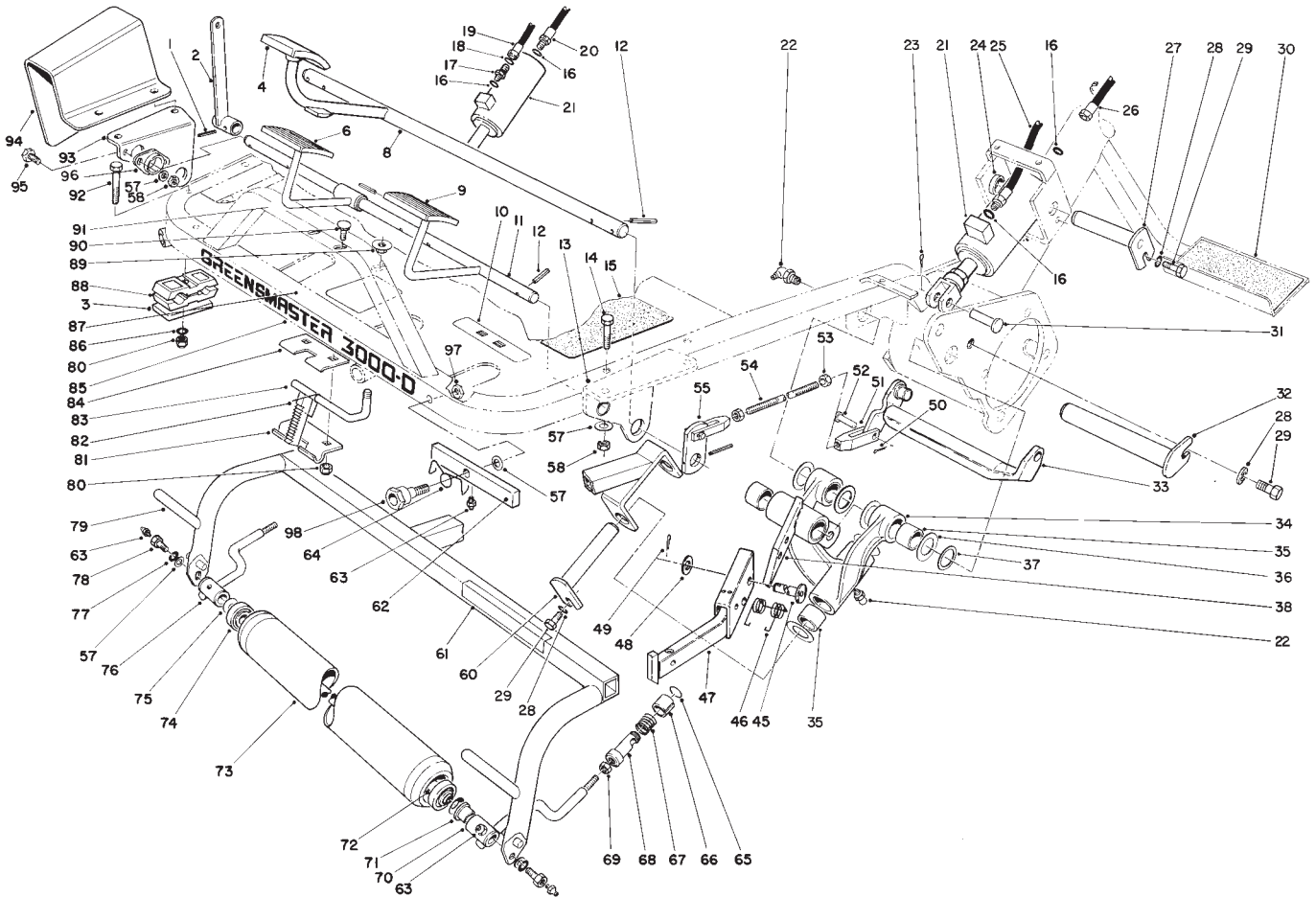


T-0642B

FOOT PEDALS AND ROLLER ASSEMBLY (Continued)

Ref. No.	Part No.	Description	No. Used
34	10-7820	Pivot Hinge Assembly (Incl. Ref. #35)	1
35	3-0348	Bushing - Sleeve	6
36	10-8110	Washer - Thrust	6
37	5-1226	Washer - Shim	2
38	62-2460	Lift Arm Assembly - LH (Incl. Ref. #35)	1
45	63-8750	Pin - Pivot	1
46	57-7650	Spring - Torsion	1
47	62-2390	Bar - Lift, LH	1
48	3256-26	Washer - Flat	2
49	3272-12	Pin - Cotter	1
50	3272-6	Pin - Cotter	4
51	282-2	Yoke	4
52	283-1	Pin - Clevis	4
53	3220-2	Nut - Jam	4
54	27-2270	Rod - Adjustment, Brake	2
55	10-8100	Strap - Shaft, Brake	2
57	3256-24	Washer - Flat	15
58	3296-59	Nut - Lock	8
60	10-6090	Pin - Pivot	1
61	62-5070	Decal - Danger	1
62	83-0060	Pivot - Lift	1
63	302-5	Fitting - Grease	13
64	83-0080	Spring - Torsion	1
65		Ring - Retaining	6

Ref. No.	Part No.	Description	No. Used
66		Sleeve	6
67		Spring	6
68	8-7710	Ball Joint Receiver Assy. (Incl. Ref. #65-67)	6
69	3220-3	Nut - Jam	6
70	92-0586	Pull Arm Assembly - LH (Incl. Ref. #71)	3
71	3-1506	Bushing - Flange	12
72	21-8470	Shaft - Yoke, Roller	3
73	52-2720	Roller Assembly (Incl. Ref. #74)	3
74	251-141	Bearing - Ball	6
75	3290-317	Washer - Spring	6
76	92-0585	Pull Arm Assembly - RH (Incl. Ref. #71)	3
77	3253-21	Washer - Lock	8
78	11-0160	Screw Assy. - Shaft, Roller (Incl. Ref. #63)	6
79	92-9176	Frame - Pull, LH	1
80	3296-16	Nut - Lock	3
81	10-7890	Hinge - Lower, Park Brake	1
82	10-8140	Spring - Latch, Brake	1
83	10-7850	Latch - Brake, Parking	1
84	10-7880	Hinge - Upper, Park. Brake	1
85	88-9720	Decal - GR 3000D	1
86	3253-3	Washer - Lock	1

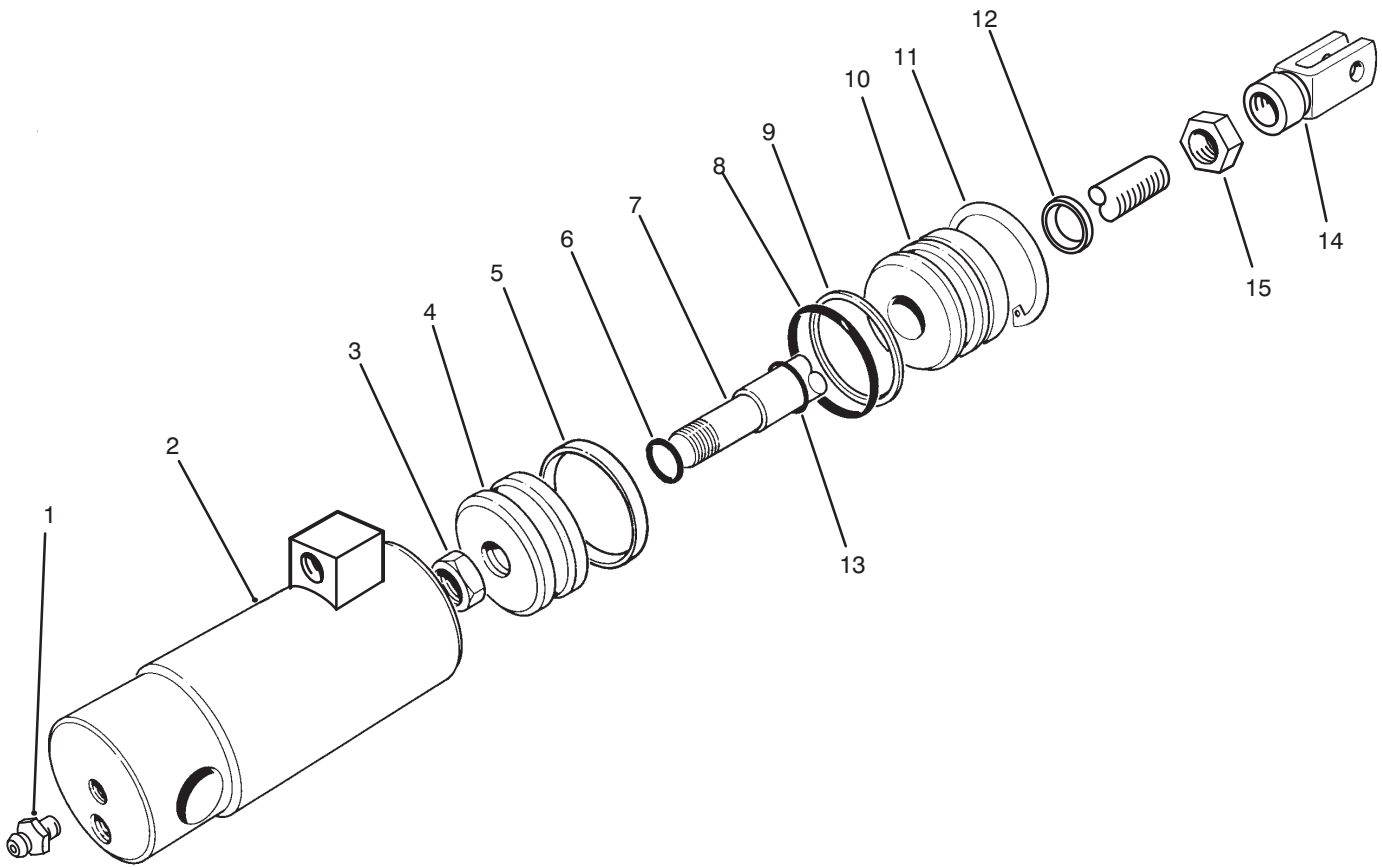


T-0642B

FOOT PEDALS AND ROLLER ASSEMBLY (Continued)

Ref. No.	Part No.	Description	No. Used
87	27-2830	Decal - Brake, Parking	1
88	56-7970	Clamp - Tube	2
89	32141-111	Nut - Lock, Flange Hd.	1
90	3229-22	Bolt - Carriage	2
91	83-0140	Pedal - Foot	1
92	321-23	Screw - Cap, Hex. Hd.	1

Ref. No.	Part No.	Description	No. Used
93	88-9630	Bracket - Lift, Pivot RH	1
94	49-6110	Guard - Rod, Transfer	1
95	3234-1	Screw - Hex. Flange Hd.	4
96	27-2320	Bearing - Side Flange	2
97	3290-357	Nut - Lock	1
98	83-2590	Bolt - Shoulder	1



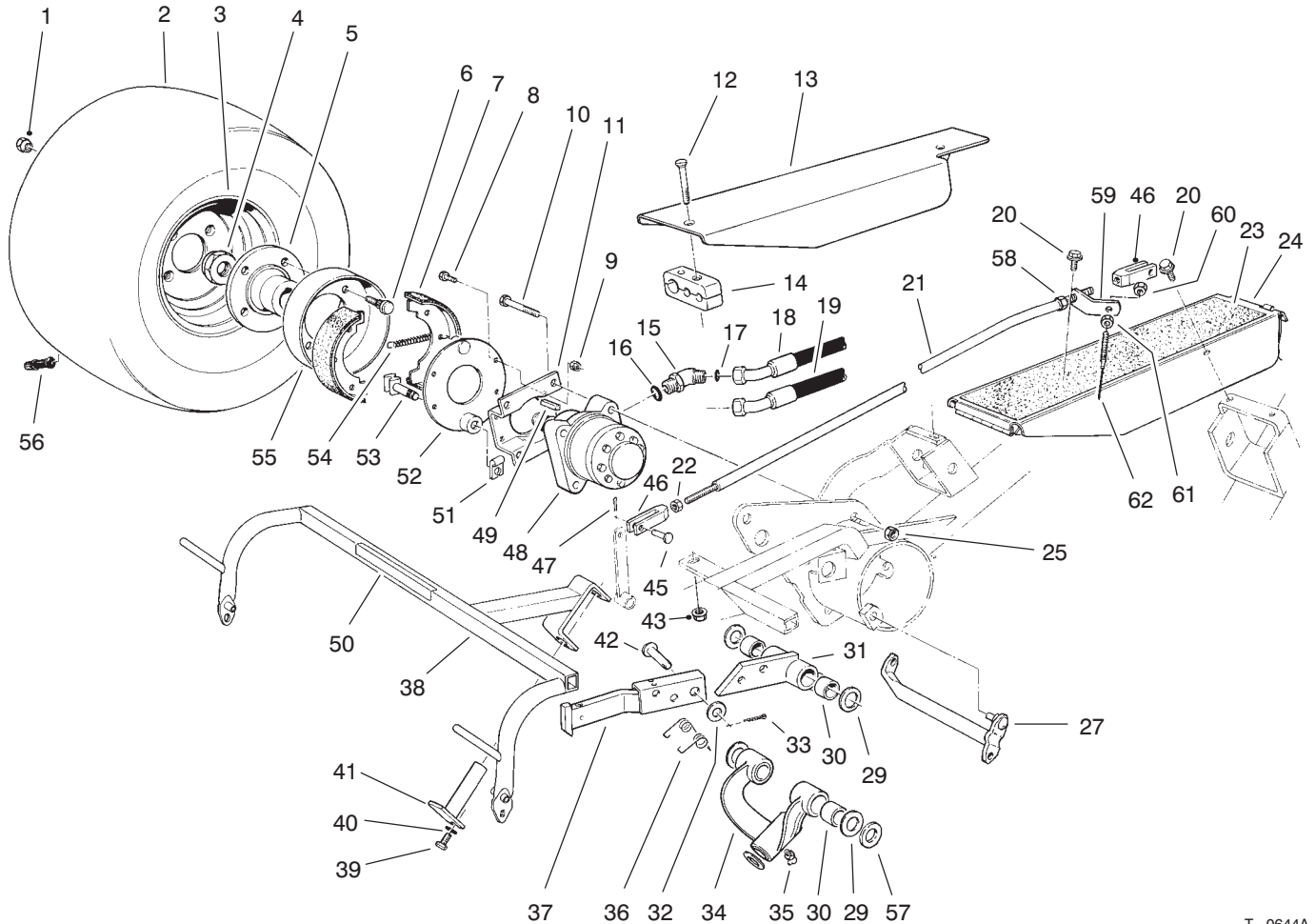
T-1373

FRONT HYDRAULIC CYLINDER NO. 84-8290

Ref. No.	Part No.	Description	No. Used
1	302-2	Fitting - Grease	2
2		Barrel Assembly	1
3	32152-10	Nut-Lock	1
4	52-1990	Piston	1
5		Uniring	1
		O-Ring	1
7	76-1860	Shaft	1
8		O-Ring	1
9		Washer - Backup	1

Ref. No.	Part No.	Description	No. Used
10	65-4860	Head	1
11	32120-8	Ring - Retaining, Internal	1
12		Dust Seal	1
13		Seal	1
14	76-1850	Clevis	1
15	3220-6	Nut - Jam	1
*	86-5390	Seal Repair Kit (Incl. Ref.#5, 6, 8, 9 & 12-13)	1

*Not Illustrated

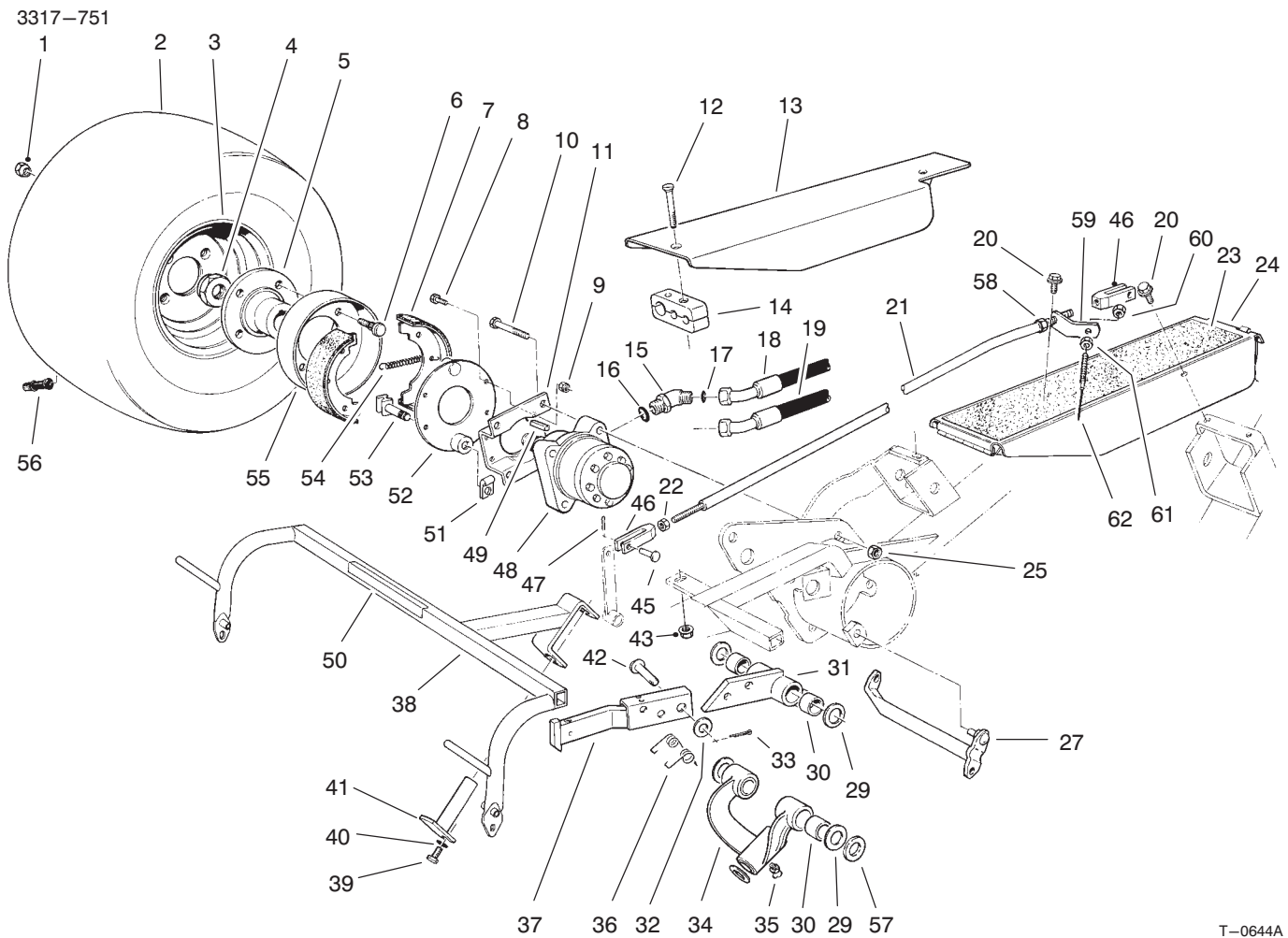


T-0644A

WHEEL AND BRAKE ASSEMBLY

Ref. No.	Part No.	Description	No. Used	Ref. No.	Part No.	Description	No. Used
1	242-50	Nut - Wheel	8	20	3234-13	Screw - Hex. Flange Hd.	4
2	28-3680	Tire	2	21	49-5430	Rod - Control	1
*	231-124	Tire - Treaded (Optional)	2	22	3220-2	Nut - Jam	1
*	232-37	Tube - Inner (Optional)	2	23	10-8220	Pad - Tool Box	1
*	62-2580	Spacer (Optional) (For use with 231-124)	2	24	49-5410	Box - Tool	1
3	217-60	Rim	2	25	3296-23	Nut - Lock	8
4	26-3790	Nut - Lock	2	27	71-1510	Lever - Brake	1
5	10-6870	Hub - Wheel	2	29	10-8110	Washer - Thrust	6
6	85-6540	Stud - Drive Type	8	30	3-0348	Bushing - Sleeve	6
7	70-9840	Shoe & Lining Assembly	4	31	62-2440	Lift Arm Assembly RH (Incl. Ref. #30)	1
8	321-5	Screw - Cap, Hex. Hd.	8	32	3256-26	Washer - Flat	1
9	3296-16	Nut - Lock	8	33	3272-12	Pin - Cotter	1
10	325-11	Screw - Cap, Hex. Hd.	8	34	10-7820	Pivot Hinge Assembly	1
11	84-2000	Bracket - Brake	4	35	302-60	Fitting - Grease	1
12	32108-100	Screw - Flat Head	3	36	57-7650	Spring - Torsion	1
13	49-5450	Plate - Cover	1	37	62-2420	Bar - RH Arm, Lift	1
14	57-6140	Clamp - Tube, Side	4	38	92-9177	Frame - Pull, RH	1
15	340-14	Fitting - Hydraulic (Incl. Ref. #16 & 17)	4	39	322-1	Screw - Cap, Hex. Hd.	1
16	237-80	O-Ring	4	40	3256-23	Washer - Plain	1
17	237-65	O-Ring	4	41	10-6090	Pin - Pivot	1
18	70-8600	Hose - Hyd. Upper, RH	1	42	63-8750	Pin - Pivot	1
*	70-8610	Hose - Hyd. Upper, LH	1	43	3296-16	Nut - Lock	3
19	83-2460	Hose - Hyd. Lower, RH	1	45	283-1	Pin - Clevis	2
*	70-7150	Hose - Hyd. Lower, LH	1	46	282-2	Yoke	2
				47	3272-6	Pin - Cotter	2

*Not Illustrated

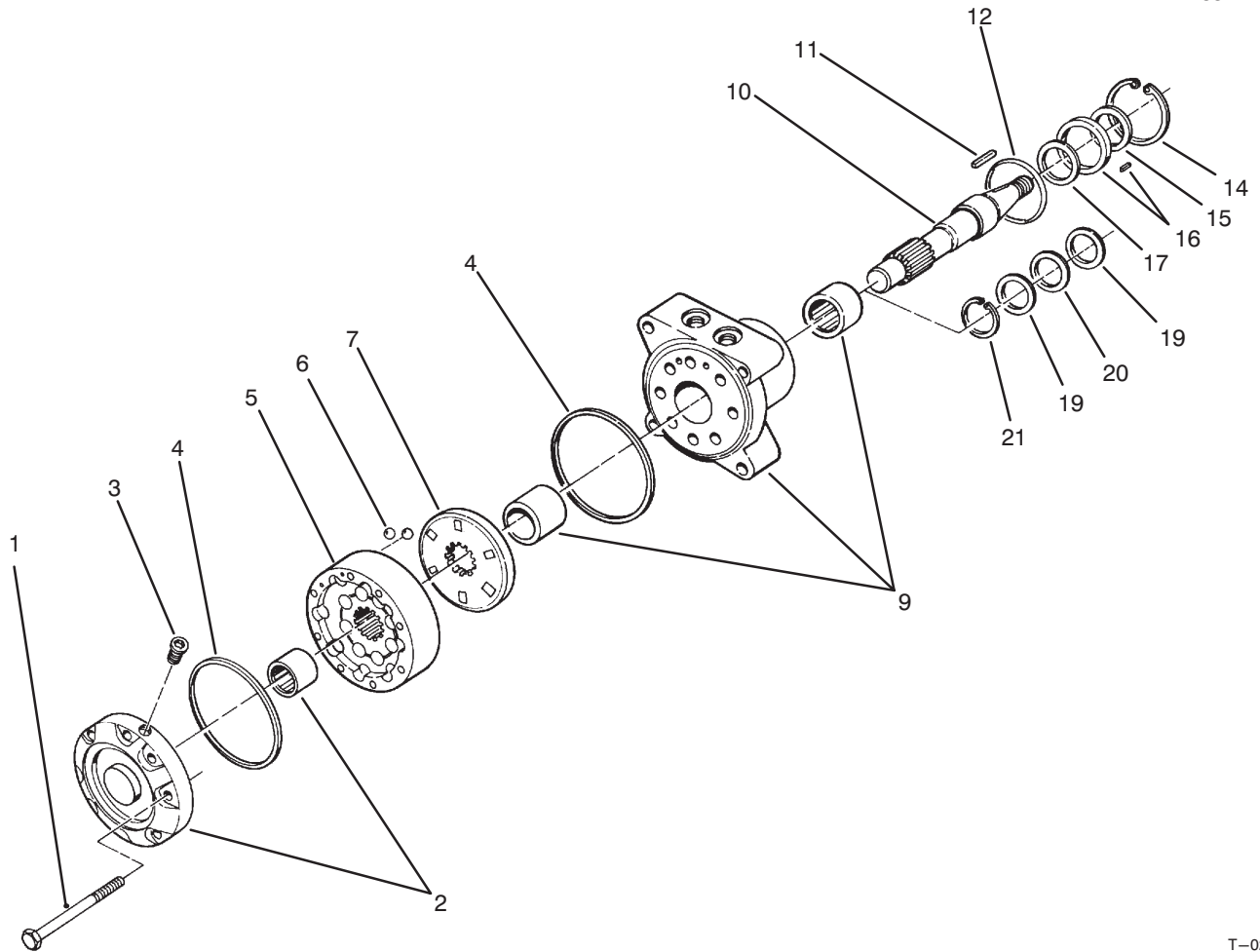


T-0644A

WHEEL AND BRAKE ASSEMBLY (Continued)

Ref. No.	Part No.	Description	No. Used
48	66-5292	Motor - Hydraulic (Incl. Ref. #49)	2
49	65-4640	Key - Square	2
50	62-5070	Decal - Danger	1
51	70-9850	Clip	2
52	70-9870	Plate - Support, Brake	2
53	70-9860	Cam - Brake	2
54	70-9880	Spring - Extension	4
55	10-6820	Brake Drum Assembly (Incl. Ref. #5 & 6)	2

Ref. No.	Part No.	Description	No. Used
56	232-24	Valve Stem & Cap	2
57	5-1226	Washer - Shim	2
58	3219-2	Nut - Full	1
59	93-9936	Bracket - Return, Traction	1
60	3296-29	Nut - Lock	1
61	3217-6	Nut - Full	1
62	93-9937	Asm. - Cable, Traction	1



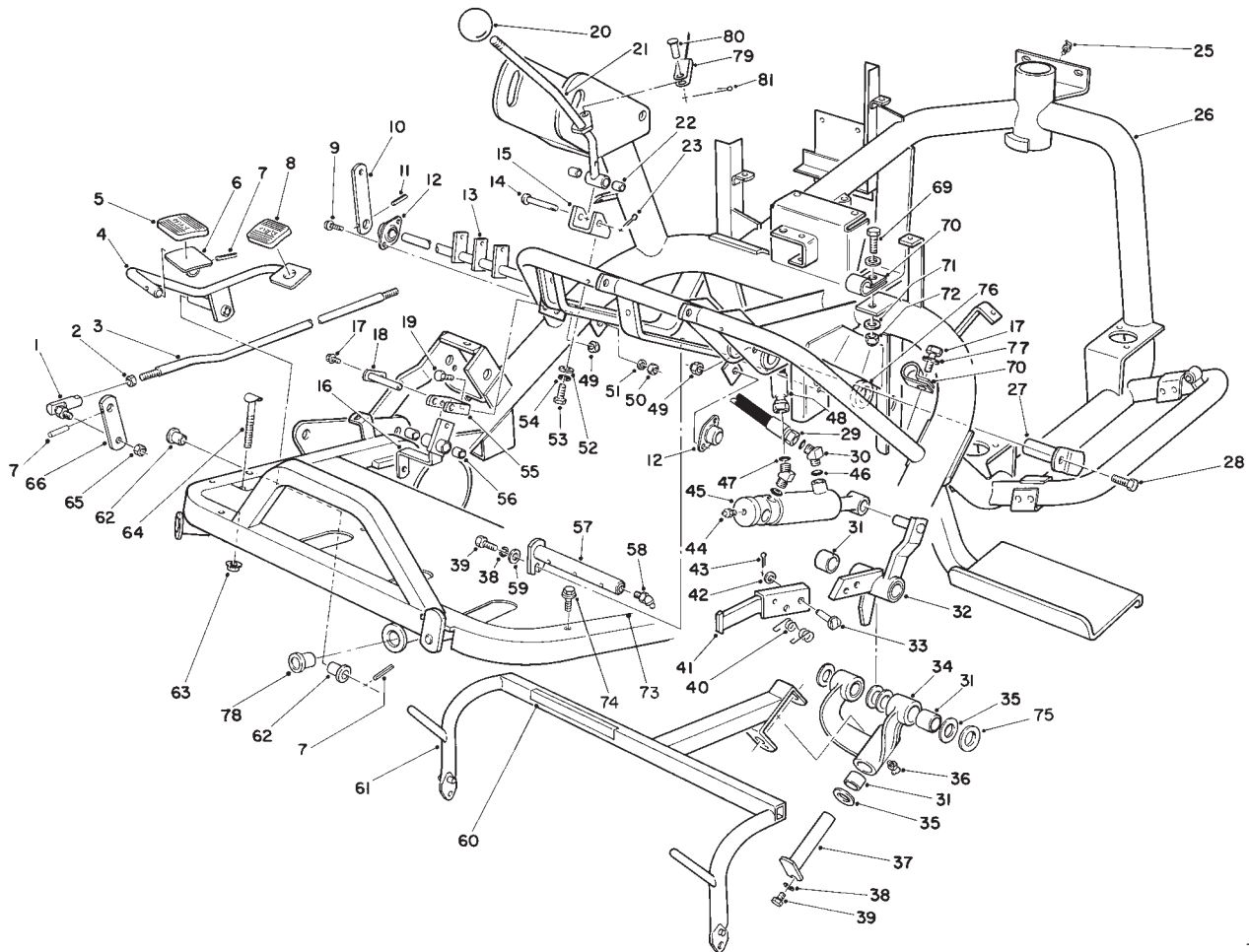
T-0274

HYDRAULIC DRIVE MOTOR NO. 66-5292

Ref. No.	Part No.	Description	No. Used	Ref. No.	Part No.	Description	No. Used
1	70-8160	Screw - Cap, Hex. Hd.	8	13	65-4650	Nut - Slotted	1
2		Cover & Bearing Assembly	1	14	65-4500	Seal - Snap Ring	1
3	65-4560	Plug - Hex. (Hollow)	1	†15		Seal - Dust	1
4	65-4570	Seal - Square Ring	2	†16		Retainer - Pin	1
5	70-8180	IGR Assembly	1	†17		Seal - Lip	1
6	65-4550	Valve - Ball, Check	2	*	65-4690	Seal/Retainer Assembly (Incl. Ref. #15-17)	1
7	70-8150	Plate - Valve	1	19	65-4600	Washer - Thrust	2
9	70-8140	Body & Bearing Assembly (Incl. Ref. #2)	1	20	65-4610	Bearing - Thrust	1
10	70-8190	Shaft	1	21	70-8170	Ring - Snap	1
11	65-4640	Key - Square	1	*	65-4700	Body Seal Kit (Incl. Ref. #4, 12 & 15-17)	1
12	65-4620	O-Ring	1				

*Not Illustrated

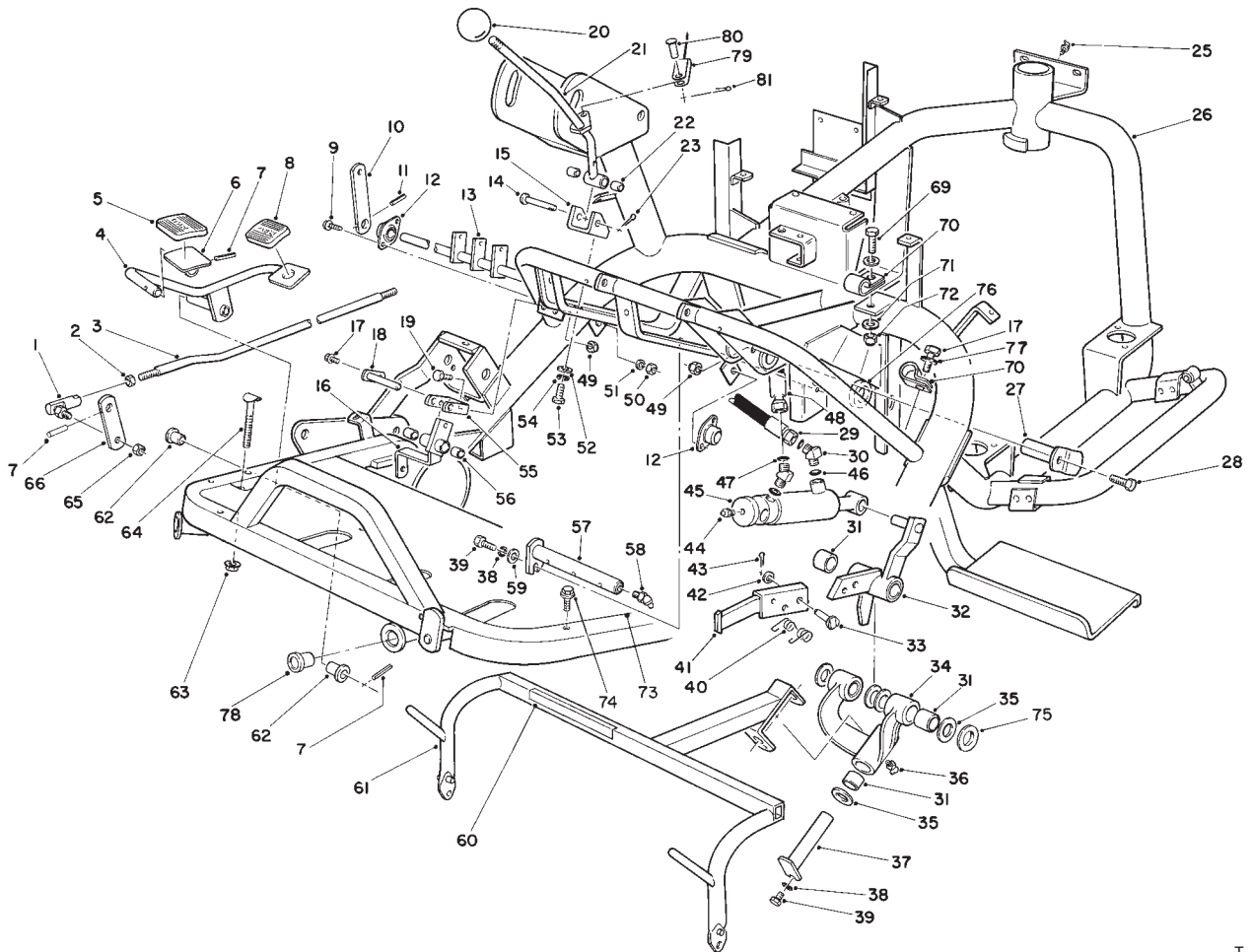
†Not available from Toro as a replacement part.



T-0641A

FRAME ASSEMBLY

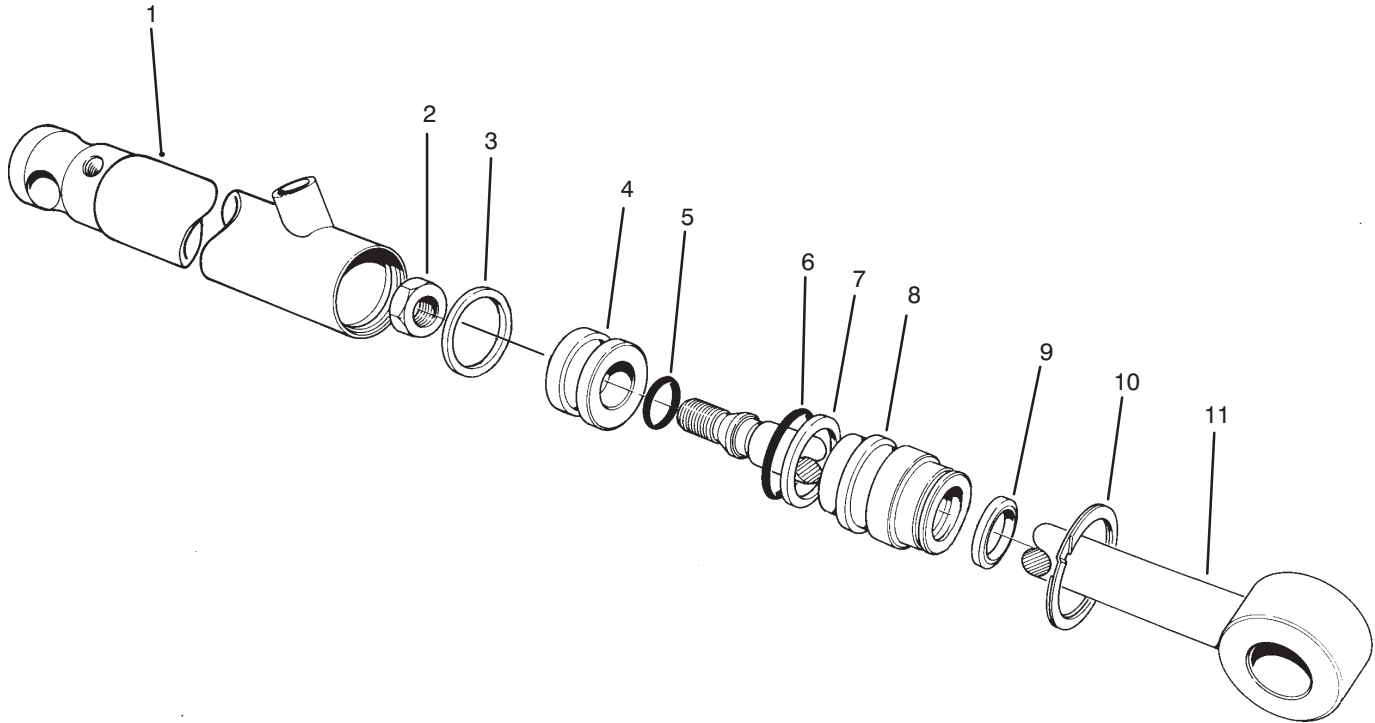
Ref. No.	Part No.	Description	No. Used	Ref. No.	Part No.	Description	No. Used
1	2411-32	Joint - Ball	2	26	92-1193	Frame (Incl. Ref. #25 & 62)	1
2	3220-2	Nut - Jam	2	27	68-5560	Pin - Cylinder	1
3	49-6320	Rod - Control, Traction	1	28	322-3	Screw - Cap, Hex. Hd.	1
4	83-0540	Pedal - Traction	1	29	58-5830	Hose - Hydraulic	1
5	49-6470	Pad - Pedal Forward	1	30	340-103	Fitting - Hydraulic (Incl. Ref. #46 & 47)	2
6	49-6440	Pedal - Accelerator	1	31	3-0348	Bushing - Sleeve	6
7	32121-45	Pin-Roll	2	32	68-5380	Center Lift Arm Assembly (Incl. Ref. #31)	1
8	49-6430	Pad - Pedal Reverse	1	33	63-8750	Pin - Pivot	1
9	3234-1	Screw - Hex. Flange Hd.	4	34	10-7820	Pivot Hinge Assembly	1
10	47-5320	Lever - Cutting Control	1	35	10-8110	Washer - Thrust	6
11	32121-6	Pin - Roll	1	36	302-60	Fitting - Grease	1
12	27-2320	Bearing - Side Flange	2	37	10-6090	Pin - Pivot	1
13	44-0870	Camshaft - Rear	1	38	3256-23	Washer - Plain	2
14	283-57	Pin - Clevis	1	39	322-1	Screw - Cap, Hex. Hd.	2
15	49-6220	Bracket - Control Arm	1	40	57-7650	Spring - Torsion	1
16	49-6260	Traction Pivot Tube Assy. (Incl. Ref. #56)	1	41	62-2420	Bar - Arm, Lift	1
17	12-3270	Screw - Hex. Flange Hd.	2	42	3256-26	Washer - Flat	1
18	49-6290	Shaft - Pivot, Traction	1	43	3272-11	Pin - Cotter	1
19	322-5	Screw - Cap, Hex. Hd.	1	44	302-2	Fitting - Grease	1
20	233-48	Knob	1	45	83-7230	Cylinder - Lift, Rear	1
21	93-9934	Handle - Traction (Incl. Ref. #22)	1	46	237-78	O-Ring	2
22	256-251	Bushing	2	47	237-35	O-Ring	2
23	3272-4	Pin - Cotter	1	48	88-9700	Hose - Hydraulic	1
25	302-5	Fitting - Grease	1				



T-0641A

FRAME ASSEMBLY (Continued)

Ref. No.	Part No.	Description	No. Used	Ref. No.	Part No.	Description	No. Used
49	3296-29	Nut - Lock	2	65	3296-4	Nut - Lock	2
50	3296-59	Nut - Lock	4	66	92-1194	Plate - Traction Pivot	1
51	3256-24	Washer - Flat	4	69	321-3	Screw - Cap, Hex. Hd.	1
52	3256-3	Washer - Flat	2	70	2412-41	Clamp - R	2
53	3211-1	Screw - Cap, Hex. Hd.	2	71	3256-1	Washer - Flat	2
54	3254-6	Washer - Lock	2	72	3296-16	Nut - Lock	1
55	49-6250	Bracket - Pivot, Traction	1	73	88-6900	Plate - Footrest	1
56	256-2	Bushing - Sleeve	2	74	32144-14	Screw - Hex. Flange Hd.	7
57	27-2550	Pin - Hinge	1	75	5-1228	Washer - Shim	2
58	302-11	Fitting - Grease	1	76	27-2540	Spacer - Hub	1
59	3256-23	Washer - Flat	1	77	3256-22	Washer - Flat	1
60	62-5070	Decal - Danger	1	78	83-1700	Bushing - Flange	3
61	86-9820	Frame - Pull, Rear	1	79	93-9937	Asm. - Cable, Traction	1
62	256-219	Bushing - Flange	2	80	283-62	Pin - Clevis	1
63	32128-20	Nut - Lock, Flange	1	81	3272-10	Pin - Cotter	1
64	17-9420	Screw - Stop, Accelerator	1				



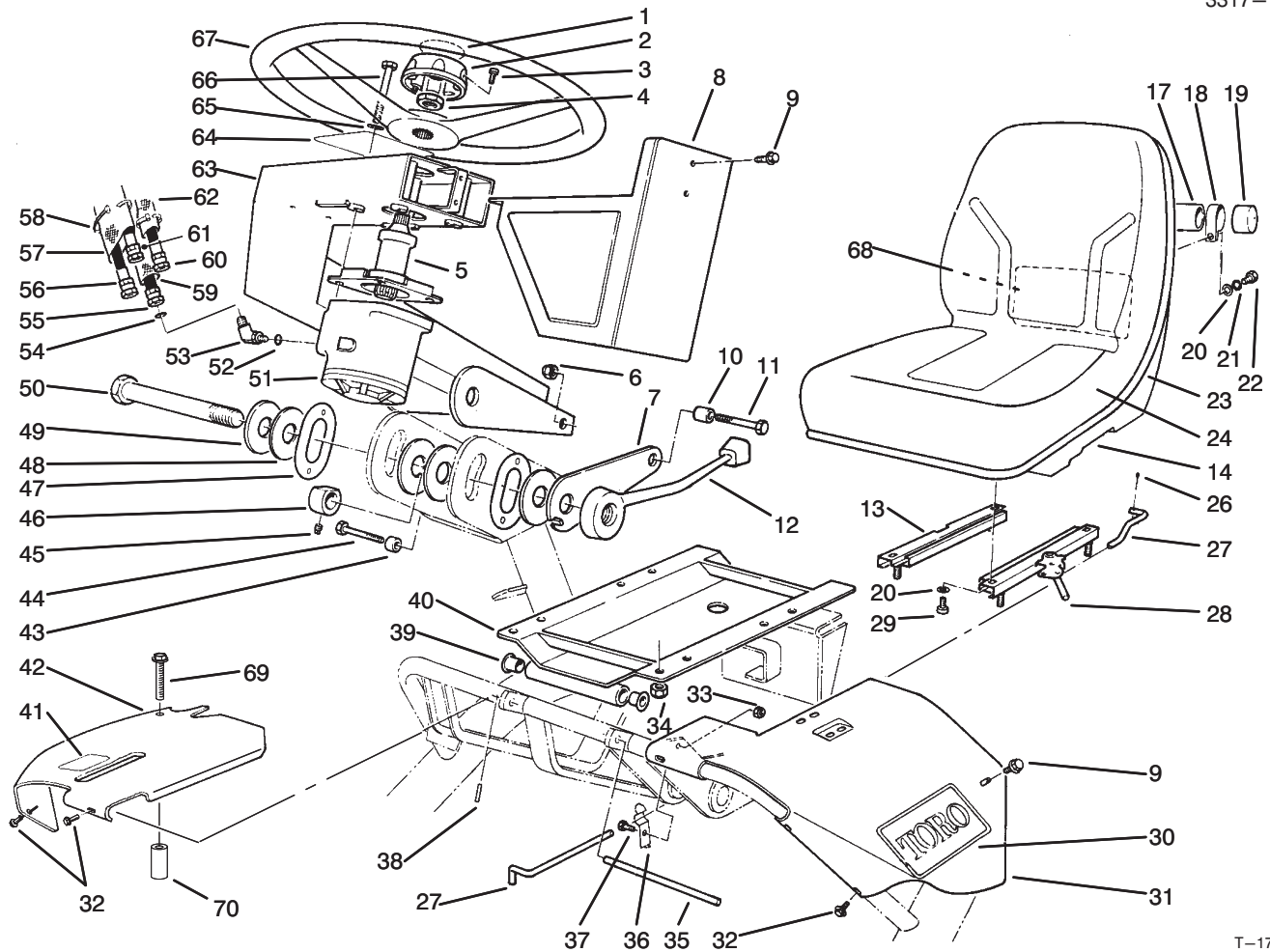
T-0640

REAR HYDRAULIC CYLINDER NO. 83-7230

Ref. No.	Part No.	Description	No. Used
1	70-8130	Barrel	1
2	32152-10	Nut	2
3		Uniring	1
4	70-2780	Piston	1
5		O-Ring	1
6		O-Ring	1
7		Back-up	1

Ref. No.	Part No.	Description	No. Used
8	70-2770	Head	
9		Seal - Dust	1
10	43-5220	Ring - Retaining	1
11	43-5230	Shaft/Clevis	1
*	86-5360	Seal Repair Kit (Incl. Ref. #3, 5-7 & 9)	1

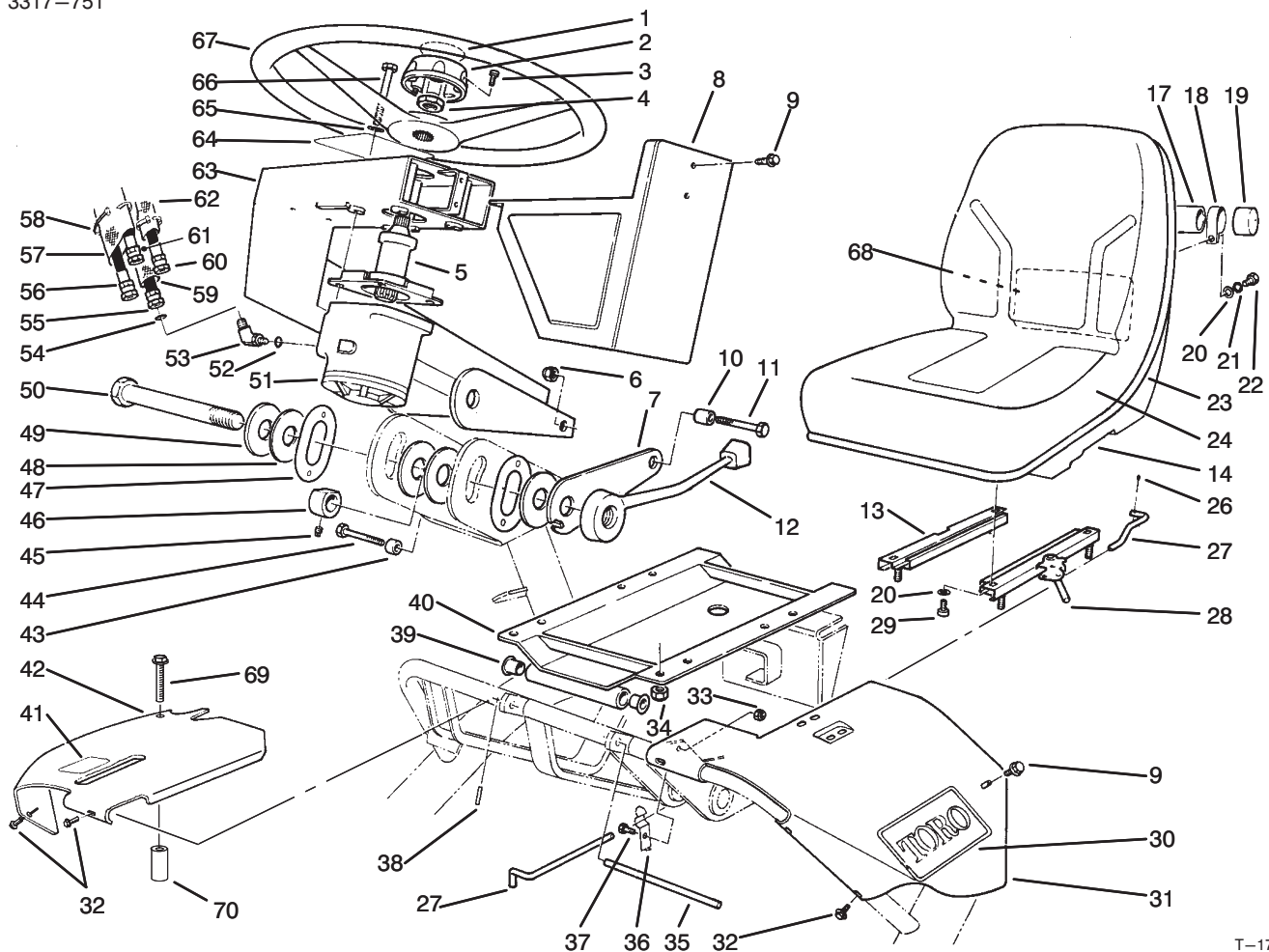
*Not Illustrated



T-1767A

STEERING & SEAT ASSEMBLY

Ref. No.	Part No.	Description	No. Used	Ref. No.	Part No.	Description	No. Used
1	68-5370	Decal - Steering Wheel	1	28	51-0790	Adjuster - Seat	1
2	68-5140	Cap - Steering Wheel (Incl. Ref. #3)	1	29	3274-12	Screw - Cap, Hex. Hd.	4
3	32144-21	Screw - Fillister Head	1	30	62-5550	Decal - TORO	2
4	47-6990	Nut - Lock	1	31	68-4690	Shield - Valve Cover, LH	1
5	68-5170	Column - Steering	1	32	32104-76	Screw - Self Tapping	5
6	3296-25	Nut - Lock	2	33	3296-16	Nut - Lock	1
7	68-5480	Plate - Arm, Steering	1	34	3296-29	Nut - Lock	4
8	68-5120	Cover - Valve, Steering	1	35	49-5880	Shaft - Support, Seat	1
9	12-3270	Screw - Thread Forming	6	36	68-5310	Clip - Seat	1
10	68-5450	Spacer - Arm, Pivot LH	1	37	321-3	Screw - Cap, Hex. Hd.	1
11	325-8	Screw - Cap, Hex. Hd.	1	38	32121-45	Pin - Roll	1
12	68-5300	Lever - Arm, Lock	1	39	256-155	Bushing	2
13	51-0780	Slide - Seat	1	40	49-5840	Support - Seat (Incl. Ref. #39)	1
14	92-6534	Shell - Seat	1	41	51-0010	Decal - Traction	1
17	65-5871	Tube	1	42	68-4680	Shield - Valve Cover, RH	1
18	2412-102	Clamp-R	2	43	68-5440	Spacer - Arm, Pivot RH	1
19	65-5890	Cap - Tube	2	44	325-7	Screw - Cap, Hex. Hd.	1
20	3256-23	Washer - Flat	6	45	3242-1	Screw - Cap, Hex. Hd.	1
21	3253-4	Washer - Lock	2	46	68-5420	Hub - Locking	1
22	322-2	Screw - Cap, Hex. Hd.	2	47	68-5430	Plate - Wear	2
23	351-78	Edging	2	48	31-0390	Washer - Friction	4
24	92-6533	Kit - Cushion	1	49	68-5290	Washer - Arm, Steering	1
26	3272-11	Pin - Cotter	1	50	3216-16	Screw - Cap, Hex. Hd.	1
27	68-5100	Rod - Seat	1	51	92-8690	Steering Valve Assembly	1

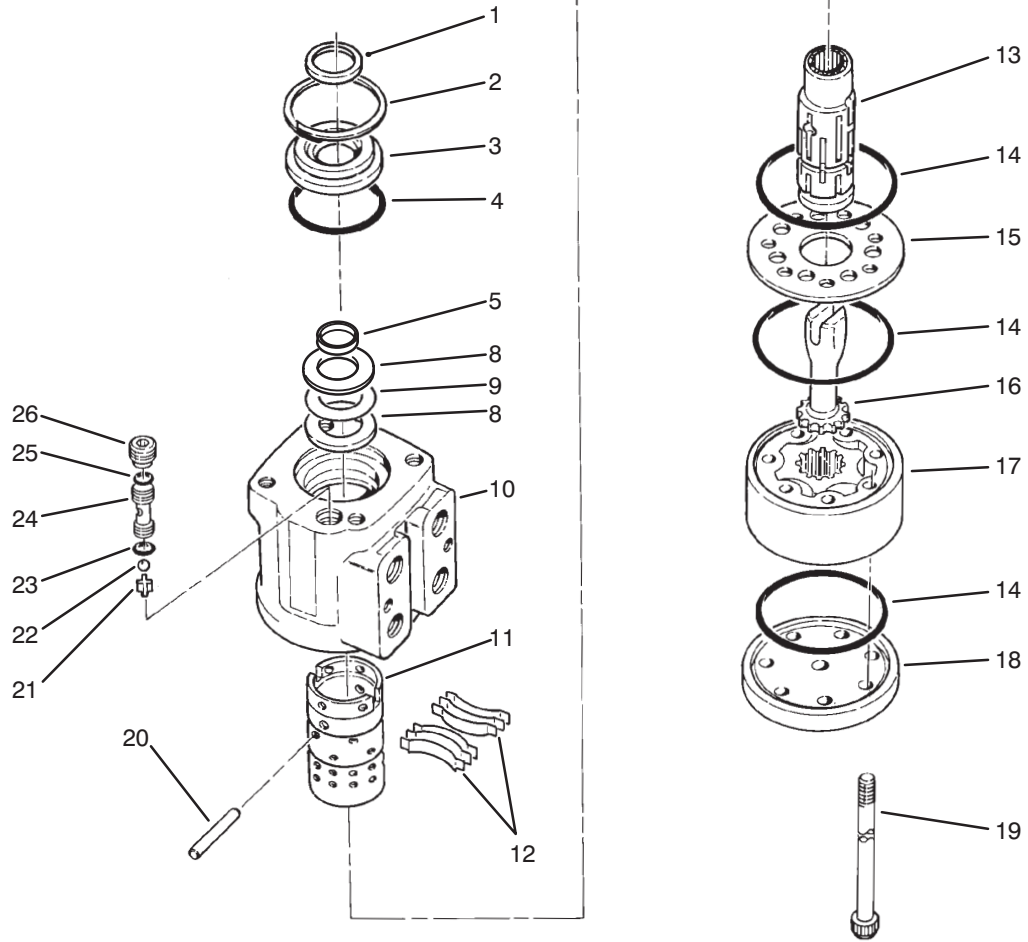


T-1767A

STEERING & SEAT ASSEMBLY (Continued)

Ref. No.	Part No.	Description	No. Used	Ref. No.	Part No.	Description	No. Used
52	237-42	O-Ring	4	62	70-8446	Sleeve - Protective	1
53	340-137	Fitting - Hydraulic (Incl. Ref. #52 & 54)	4	63	68-4700	Arm - Steering	1
54	237-35	O-Ring	4	64	75-9380	Decal - Caution	1
55	68-5840	Hose - Pump, Steering (Incl. Ref. #58 & 59)	1	65	3256-24	Washer - Flat	4
56	68-5750	Hose - Steering, Cyl. Base (Incl. Ref. #57 & 58)	1	66	323-20	Screw - Cap, Hex. Hd.	4
57	56-7983	Sleeve - Protective	1	67	68-5130	Wheel - Steering (Incl. Ref. #2 & 3)	1
58	3290-378	Tie - Cable	6	68	92-1196	Decal - Service	1
59	70-8445	Sleeve - Protective	1	69	94-2691	Screw - HWH	1
60	68-5740	Hose Assembly (Incl. Ref. #58 & 60)	1	70	76-2660	Tube - Spacer	1
61	68-5760	Hose - Steering, Cyl. Rod (Incl. Ref. #57 & 58)	1	*	92-1180	Seat Assembly (Incl. Ref. #14, 23 & 24)	1

*Not Illustrated



T-1442

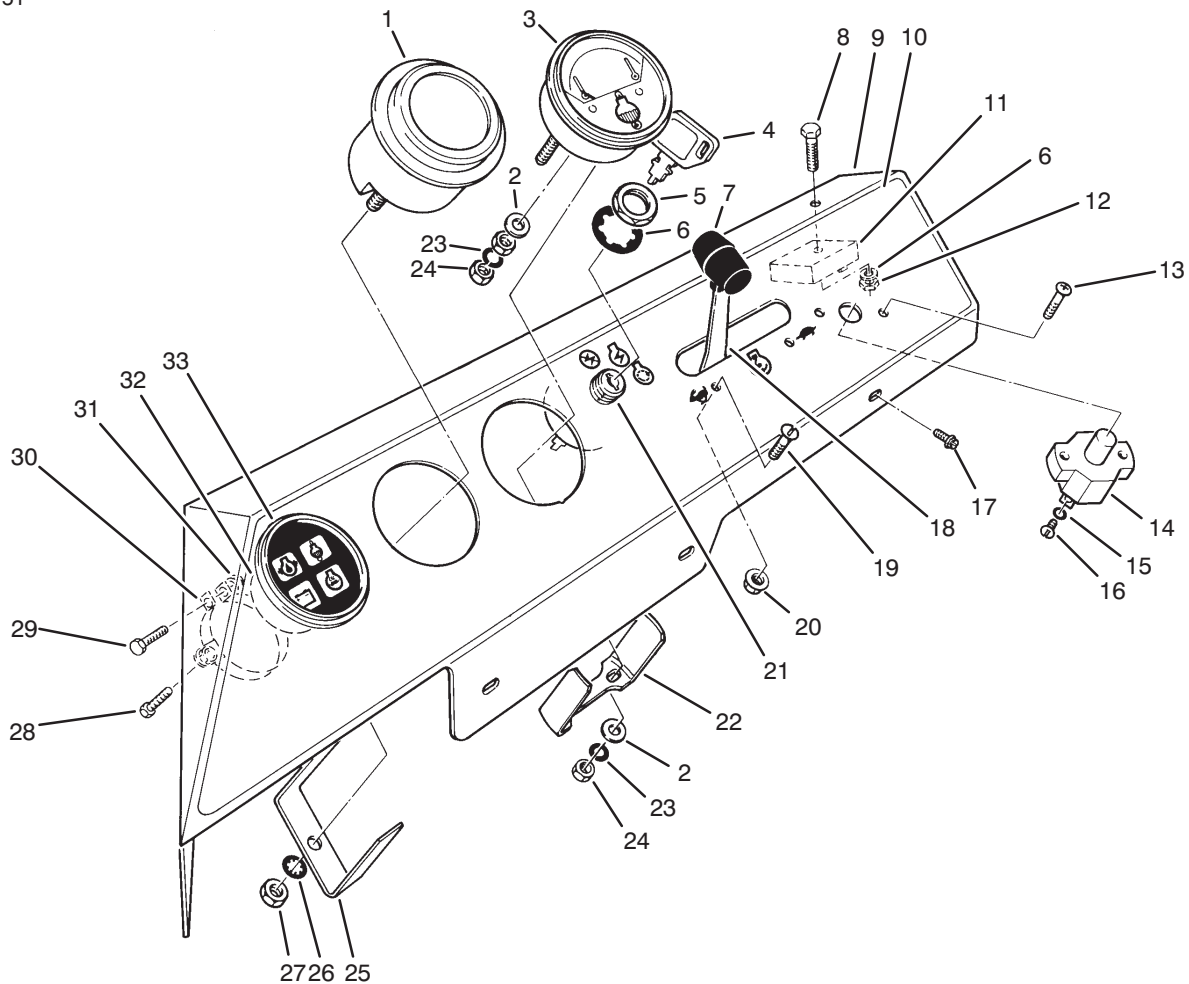
POWER STEERING VALVE NO. 92-8690

Ref. No.	Part No.	Description	No. Used
†1		Seal – Dust	1
2	52-9230	Ring – Retaining	1
3	92-8691	Bushing – Seal Gland	1
†4		O-Ring	1
†5		Seal – One Piece	1
8	59-6730	Race – Bearing	2
9	59-6740	Bearing – Needle Thrust	1
†10		Housing	1
†11		Sleeve – Control	1
12	83-1860	Centering Spring Kit	1
†13		Spool – Control	1
†14		O-Ring	3
15	92-8697	Plate – Wear	1
16	70-8250	Drive	1
17	83-1870	Gerotor	1

Ref. No.	Part No.	Description	No. Used
18	92-8694	Cap – End	1
19	92-8696	Screw – Torx Hd.	7
20	59-6830	Centering Pin Kit	1
21	52-9290	Retainer – Ball Check	1
22	52-9280	Ball – Check	1
†23		O-Ring	1
24	52-9270	Seat – Ball Check	1
†25		O-Ring	1
26	52-9260	Screw – Set	1
*	83-1880	Control Parts Assembly (Incl. Ref. #10-13 & 20)	1
*	92-8695	Seal Kit (Incl. Ref. #1, 4, 5, 14, 23 & 25)	1

*Not Illustrated

†Not Serviced Separately



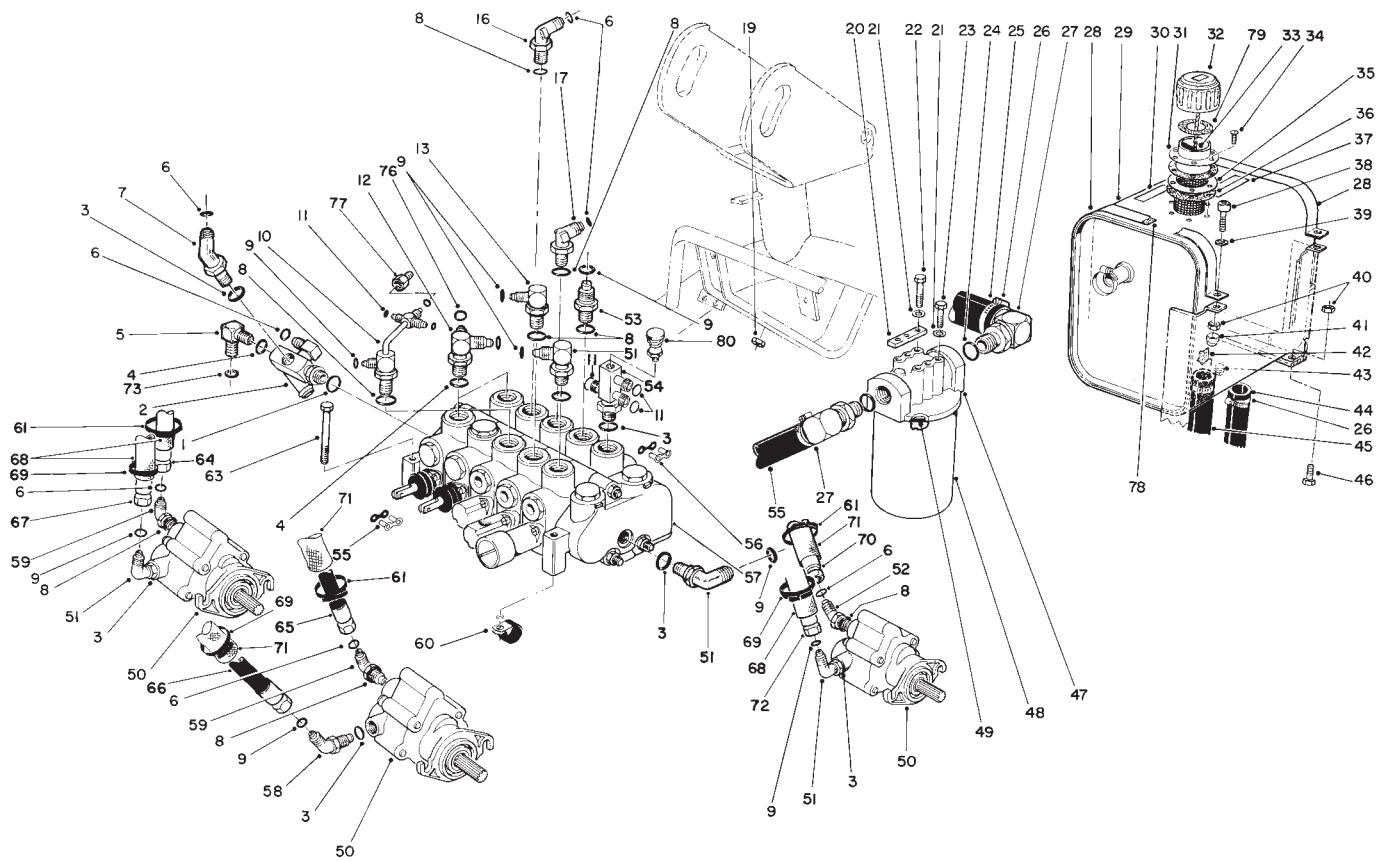
T-0814

INSTRUMENT PANEL ASSEMBLY

Ref. No.	Part No.	Description	No. Used
1	66-2950	Hour Meter	1
2	3256-14	Washer - Flat	4
3	63-7430	Gauge - Temperature	1
4	63-8360	Key	1
5	218-446	Nut	1
6	218-447	Washer - Lock	1
7	233-50	Knob - Throttle	1
8	321-8	Screw - Cap Hex. Hd.	1
9	92-2544	Panel - Instrument	1
10	92-2529	Decal- Panel, Instrument	1
11	92-2538	Timer - Glow Plug	1
12	3296-16	Nut - Lock	1
13	32122-53	Screw - Phillips Hd.	2
14	68-5210	Breaker - Circuit, 15A	1
15	3253-15	Washer - Lock	2
16	3250-28	Screw - Cap, Round Hd.	2
17	32104-76	Screw - Acorn Washer Hd.	6
18	68-9931	Control Throttle (Inc. Ref. #7)	1

Ref. No.	Part No.	Description	No. Used
19	32105-8	Screw - Round Head	2
20	32149-7	Nut - Lock	2
21	27-2360	Switch - Key (Incl. Ref. #5 & 6)	1
22	39-9600	Clamp - Mounting	1
23	3253-12	Washer - Lock	5
24	3256-49	Nut - Lock	6
25	218-515	Bracket - Mounting	1
26	3254-1	Washer - Lock, Int. Tooth	1
27	3217-26	Nut	1
28	32144-1	Screw - Thread Forming	2
29	32105-1	Screw - Cap, Hex. Hd.	1
30	69-4780	Clamp Hose	1
31	3296-2	Nut - Lock	1
32	70-8200	Socket - Light	4
33	66-2960	Light - Cluster, Warning	1
*	219-17	Bulb - Light	4

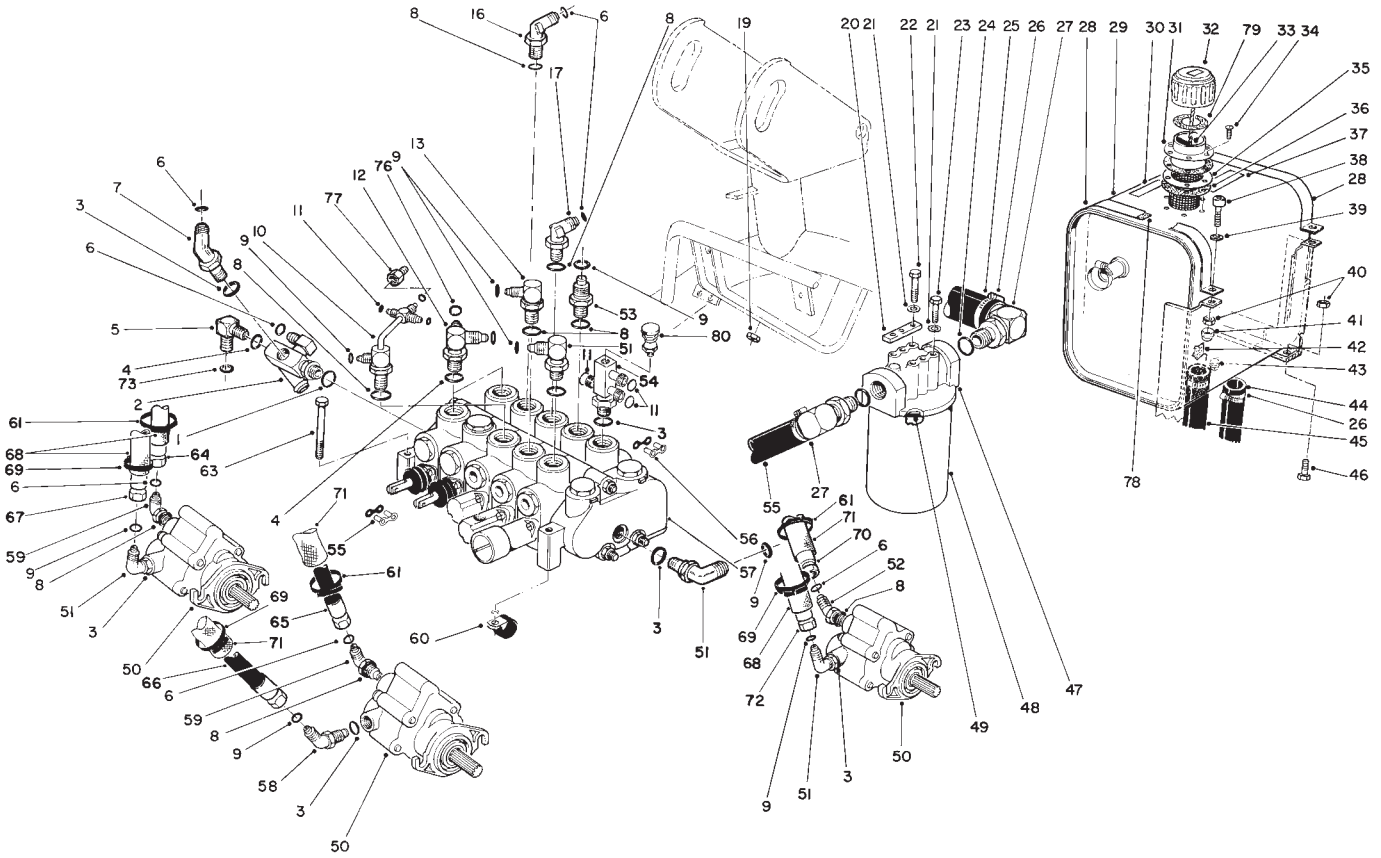
*Not Illustrated



T-0643A

VALVE BANK AND HYDRAULIC RESERVOIR ASSEMBLY

Ref. No.	Part No.	Description	No. Used	Ref. No.	Part No.	Description	No. Used
1	237-81	O-Ring	1	23	322-2	Screw - Cap, Hex. Hd.	2
2	68-5260	Orifice - Manifold Drain (Incl. Ref. #1 & 6)	1	24	237-101	O-Ring	2
3	237-42	O-Ring	9	25	68-5890	Hose - Return, Filter	1
4	237-80	O-Ring	3	26	2412-3	Clamp - Hose	8
5	340-16	Fitting - Hydraulic (Incl. Ref. #3 & 4)	1	27	353-564	Fitting - Hydraulic 90° (Incl. Ref. #24)	2
6	237-30	O-Ring	7	28	27-2400	Strap - Reservoir (Incl. Ref. #78)	2
7	340-96	Fitting - Hydraulic (Incl. Ref. #3 & 6)	1	29	55-8480	Reservoir - Hydraulic	1
8	237-79	O-Ring	8	30	58-6530	Decal - Oil	1
9	237-22	O-Ring	3	31	353-961	Adapter - Flange	1
10	63-4060	Tube Assembly (Incl. Ref. #8, 9 & 11)	1	32	62-2570	Cap - Breather (Incl. Ref. #31, 33, 36, 37 & 39)	1
11	237-21	O-Ring	7	33	353-962	Cap & Chain Assembly	1
12	63-4050	Fitting - Traction, Upper (Incl. Ref. #4 & 76)	2	34	32144-34	Screw	6
13	340-18	Fitting - Hydraulic (Incl. Ref. #5 & 9)	1	35	62-2610	Screen Assembly	1
16	340-11	Fitting - Hydraulic (Incl. Ref. #6 & 8)	1	36	353-963	Gasket	2
17	340-101	Fitting - Hydraulic (Incl. Ref. #6 & 8)	1	37	66-6840	Decal - Hot Surface	1
19	32128-20	Nut - Lock, Flange Hd.	3	38	3274-19	Screw - Set	2
20	27-2380	Spacer - Mount, Filter	1	39	3256-22	Washer - Flat	2
21	3256-23	Washer - Flat	2	40	3296-16	Nut - Lock	4
22	322-4	Screw - Cap, Hex. Hd.	2	41	2410-66	Cap - Vinyl	1
				42	27-2420	Felt - Angle	2
				43	281-1	Plug - Oil	1
				44	68-5860	Hose - Pump, Inlet LH	1
				45	68-5870	Hose - Pump, Inlet RH	1



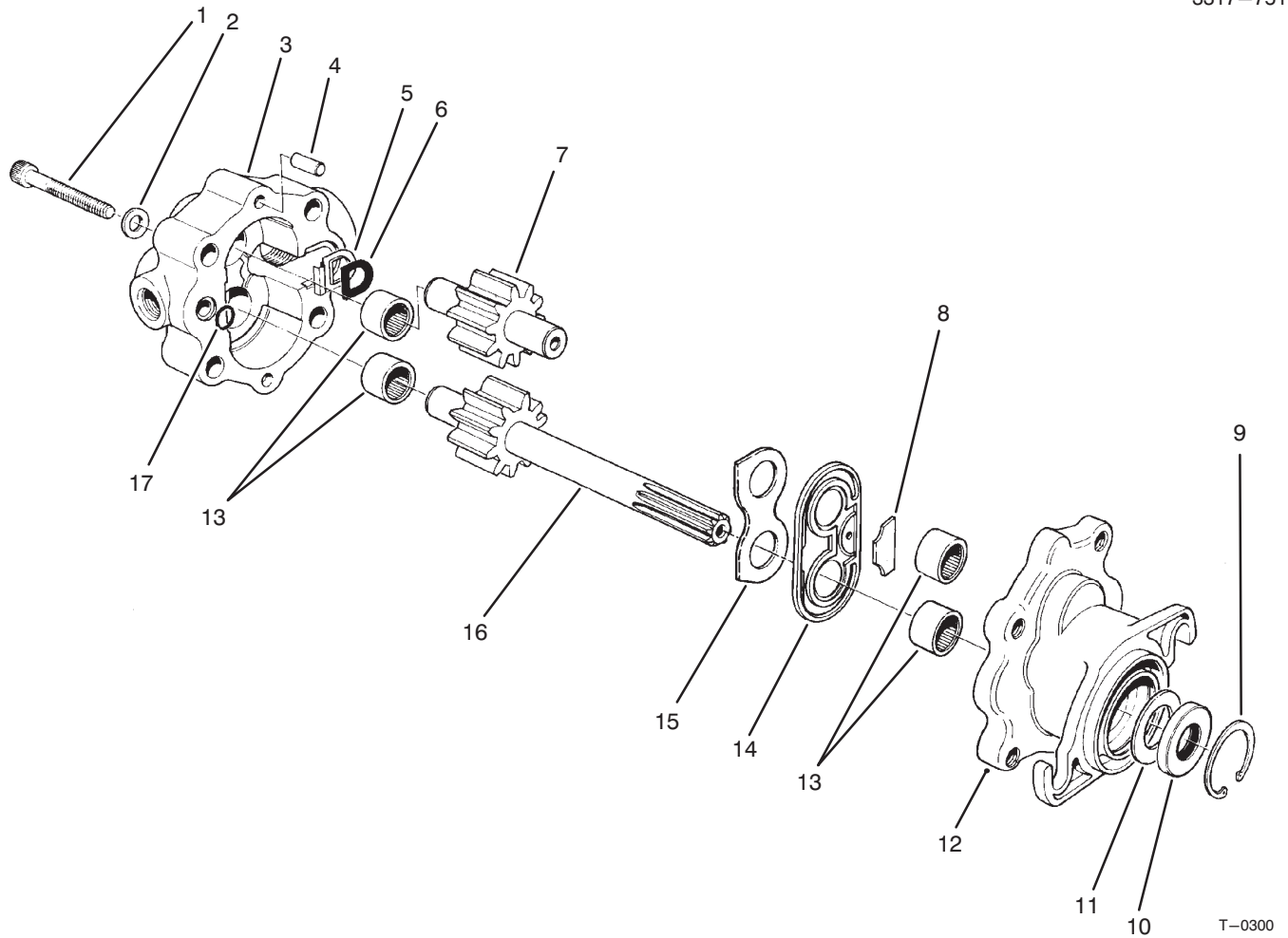
T-0643A

VALVE BANK AND HYDRAULIC RESERVOIR ASSEMBLY (Continued)

Ref. No.	Part No.	Description	No. Used
46	321-3	Screw - Cap, Hex. Hd.	2
47	44-5560	Head - Filter, Hydraulic	1
48	74-3570	Element - Filter (Incl. Ref. #49)	1
49	72-3850	Seal - Ring	1
50	70-9800	Motor - Reel	3
51	340-77	Fitting - Hydraulic (Incl. Ref. #3 & 9)	4
52	340-101	Fitting - Hydraulic (Incl. Ref. #6 & 8)	1
53	340-3	Fitting - Hydraulic (Incl. Ref. #8 & 9)	1
54	92-0587	Fitting - Hydraulic Valve (Incl. Ref. #3 & 11)	1
55	68-5880	Return Line - Manifold/Filter	1
56	57-6220	Link - Connector	5
57	84-2203	Control Valve Assembly	1
58	340-87	Fitting - Hydraulic (Incl. Ref. #3 & 9)	1
59	340-98	Fitting - Hydraulic (Incl. Ref. #6 & 8)	2
60	304-61	Clamp	1
61	93-9347	Clamp - Hose, Return	6
63	322-14	Screw - Cap, Hex. Hd.	3
64	63-3820	Hose - Return, RH (Incl. Ref. #68 & 69)	1

Ref. No.	Part No.	Description	No. Used
65	63-3830	Hose - Return, LH (Incl. Ref. #69 & 75)	1
66	63-3870	Hose - Pressure, LH (Incl. Ref. #69 & 74)	1
67	63-3810	Hose - Pressure, RH (Incl. Ref. #68 & 69)	1
68	56-7980	Sleeve - Protective	3
69	93-9346	Clamp - Hose, Pressure	6
70	63-3840	Hose - Return, Rear (Incl. Ref. #69 & 71)	1
71	56-7981	Sleeve - Protective	3
72	74-3830	Hose - Assembly (Incl. Ref. #68 & 69)	1
73	237-58	O-Ring	1
74	56-7986	Sleeve - Protective	1
75	56-7987	Sleeve - Protective	1
76	237-65	O-Ring	4
77	71-0990	Orifice - One Way	1
78	27-3030	Felt - Strap	2
79	76-1720	Gasket	1
80	92-0588	Bushing - Needle	1
*	88-9500	Needle Valve Assembly (Incl. Ref. #3, 11, 54 & 80)	1
*	44-2500	Dye - Hydraulic Oil	1

*Not Illustrated



T-0300

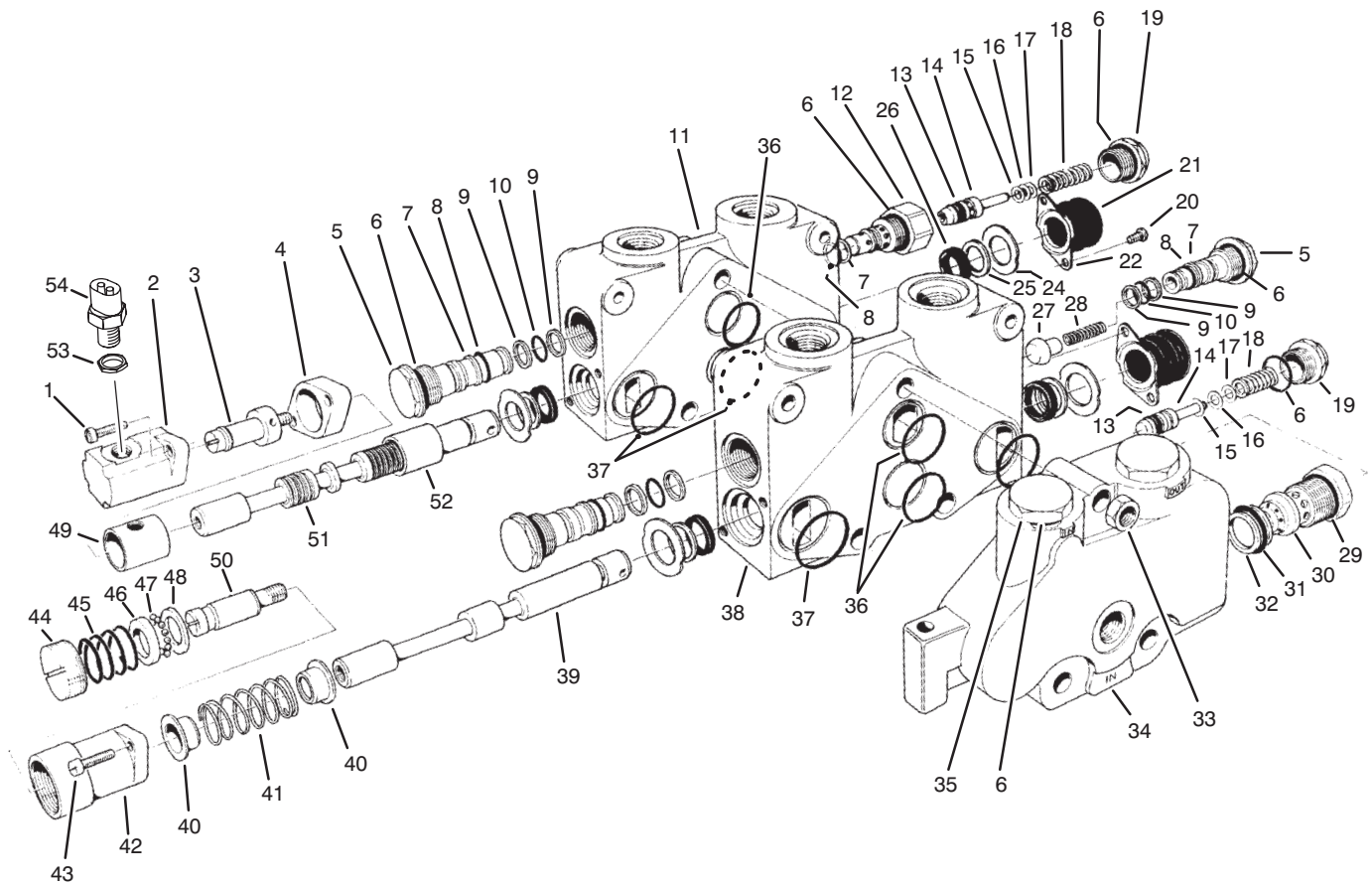
REEL MOTOR NO. 70-9800

Ref. No.	Part No.	Description	No. Used
1	353-601	Screw - Hex Socket Hd.	4
2	353-600	Washer	4
3	353-588	Cover - Motor	1
4	353-599	Pin - Dowel	2
5	353-597	Bridging - Insert	1
6	353-598	Gasket - Insert	1
7	353-593	Idler Gear Assembly	1
8	353-591	Block - Anti-Extrusion	1
9	32151-41	Ring - Retaining	1
10		Seal - Shaft	1
11		Spacer	1
12	353-777	Body - Motor (Incl. Ref. #13)	1

Ref. No.	Part No.	Description	No. Used
13	353-586	Bearing - Needle	4
14	353-594	Seal Assembly	1
15	353-595	Plate - Wear	1
16	353-592	Drive Shaft Assembly	1
17	353-596	O-Ring	1
*	72-4380	Seal Kit (Incl. Ref. #9-11)	1
*	72-4390	Repair Kit (Incl. Ref. #5, 6, 8-11, 14, 15 & 17)	
*†		Seal Installer	1
*†		Seal Protector	1

*Not Illustrated

†Special Tool for Installation



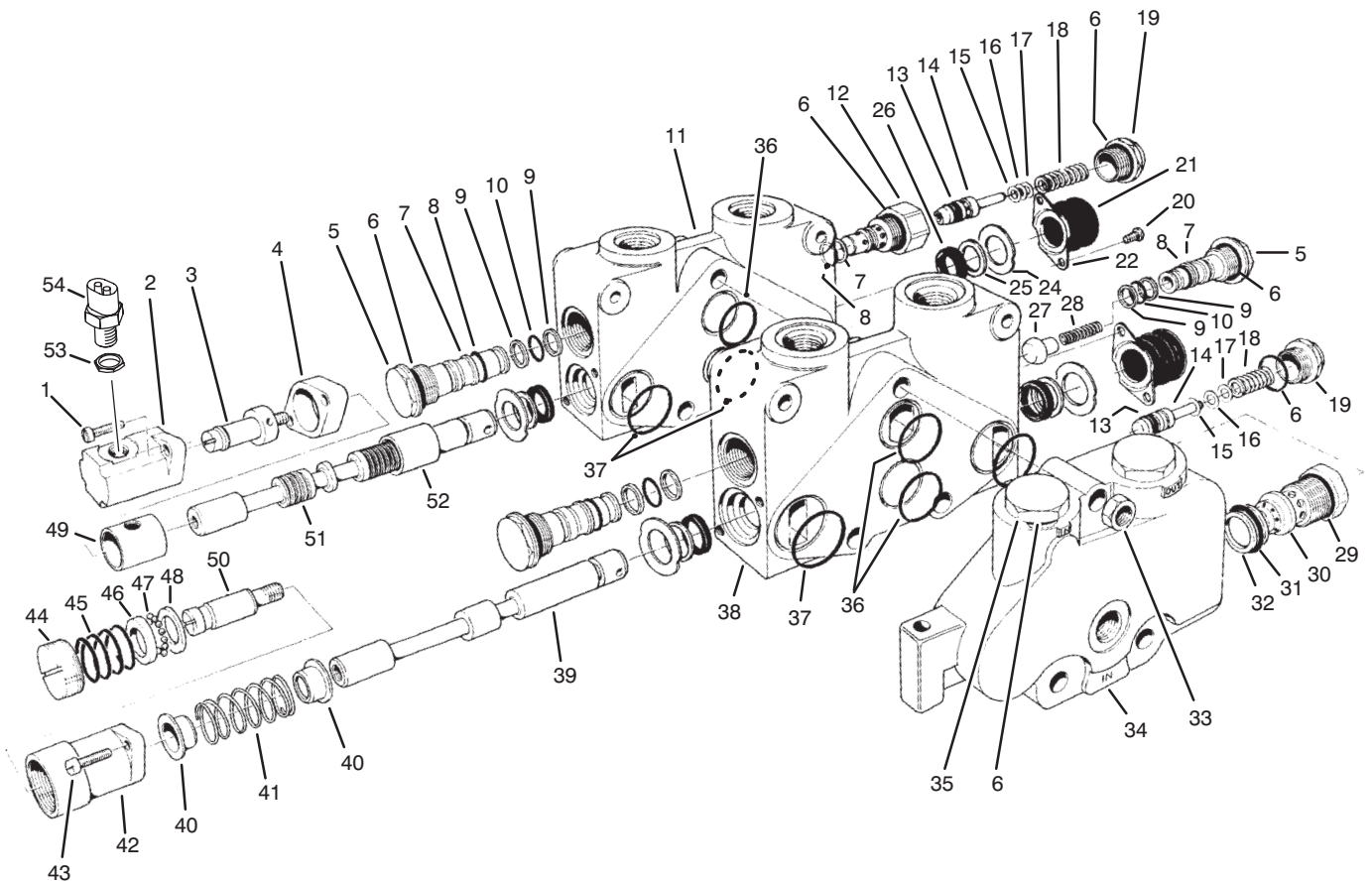
T-1318A

CONTROL VALVE ASSY. NO. 84-2203 (Sections 1 & 2)

Ref. No.	Part No.	Description	No. Used
1	3274-70	Screw - Hex, Socket Hd.	2
2	353-727	Bonnet	1
3	353-729	Spud - Detent	1
4	353-733	Spacer - Bonnet	1
5	353-481	Plug - Load Check (Incl. Ref. #6-10)	3
6	237-54	O-Ring	8
7	353-306	Ring - Backup	4
8	353-305	O-Ring	4
9	353-303	Ring - Backup	6
10	353-302	O-Ring	3
11		Housing V20T	1
12	353-851	Body - Relief CP-RC Mod.	1
13	353-392	Seal - Relief Poppet PTFE	2
14	353-531	Poppet Assy. (Incl. Ref. #13)	2
15	353-328	Washer - Shim	A/R
16	353-329	Washer - Shim	A/R
17	353-330	Washer - Shim	A/R
18	353-855	Spring	2
19	353-334	Cap - Relief	2
20	3274-52	Screw - Hex, Socket Hd.	4
21	353-575	Boot - Dust Cap	2
22	93-3651	Retainer - Boot	2
24	92-2547	Plate - Seal Retainer	4
25	92-2546	Wiper - Seal	4
26	353-957	Seal - Lip	4

Ref. No.	Part No.	Description	No. Used
27	353-301	Poppet	1
28	353-304	Spring	1
29	353-331	O-Ring	1
30	353-760	Body Relief	1
31	353-758	Seal - O-Ring	1
32	353-952	Ring - Backup	1
33	3217-7	Nut - Hex	3
34	353-772	Left End Cover	1
35	353-721	Plug (Incl. Ref. #6)	2
†36		O-Ring	3
†37		O-Ring	4
†38		Housing Section #1	1
†39		Spool V20 SPL	1
40	353-417	Collar Spring	2
41	92-3058	Spring - Centering	1
42	353-754	Bonnet - R. Detent	1
43	3274-15	Screw - Fillister Hd.	2
44	353-763	Cap - Adjustment	1
45	353-579	Spring	1
46	42-2680	Race R. Detent	1
47	52-5880	Ball - Steel	12
48	354-29	Plate - Thrust	1
49	353-728	Sleeve	1
50	353-762	Spud - Detent Out (Incl. Ref. #44)	1
†51		Spool V20 3 Way F.F.	1

†Parts Available as Assemblies Listed as (*Not Illustrated) on Following Page



T-1318A

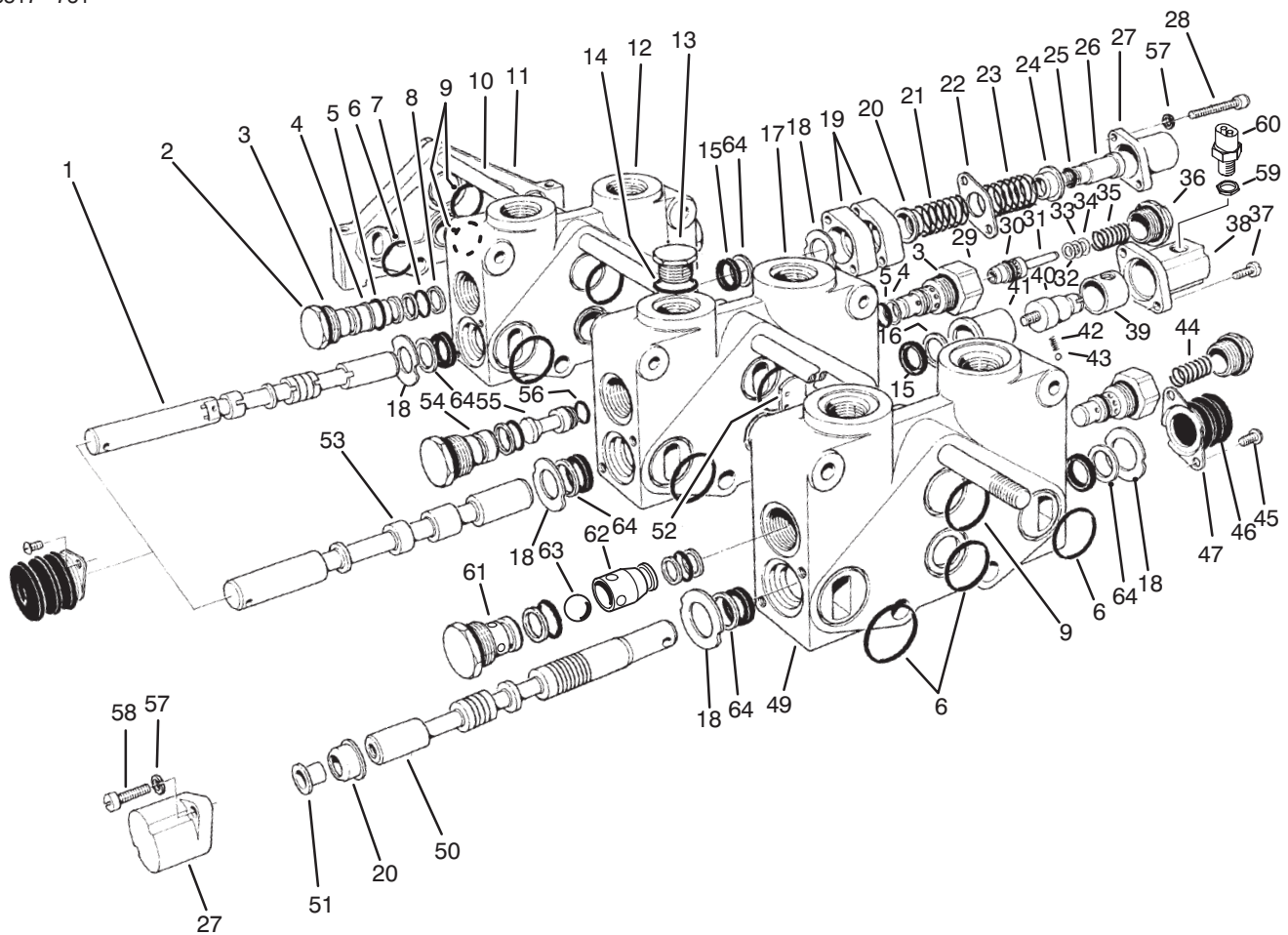
CONTROL VALVE ASSEMBLY NO. 84-2203 (Sections 1 And 2) (Continued)

Ref. No.	Part No.	Description	No. Used
52	353-732	Sleeve - Detent	1
53	38-0410	Nut - Hex.	1
54	83-1890	Switch - Ball	1
*	353-766	Relief WH (2000) PSI Assy. (Incl. Ref. #6, 13-19 & 29-32)	1
*	353-768	Section #1 Complete	1
*	353-837	Section #2 Complete	1
*	353-780	Positioner - R. Detent (Out) (Incl. Ref. #3 & 40-49)	1
*	353-839	Positioner - DI (SPL) Assy. (Incl. Ref. #1, 3-5, 50 & 52)	1

Ref. No.	Part No.	Description	No. Used
*	353-642	Relief - RC Mod. (Incl. Ref. #6-8 & 12-19)	2
*	93-3652	Boot - Spool Assembly (Incl. Ref. #20-22)	2
*	353-835	Seals - Section Set (Incl. Ref. #36 & 37)	1
*	92-2548	Seals - Spool Single (Single End Set) (Incl. Ref. #24-26)	1
*	92-2545	Seals - Spool (Entire Valve Set)	1

*Not Illustrated

†Parts Available as Assemblies Listed as (*Not Illustrated) on This Page



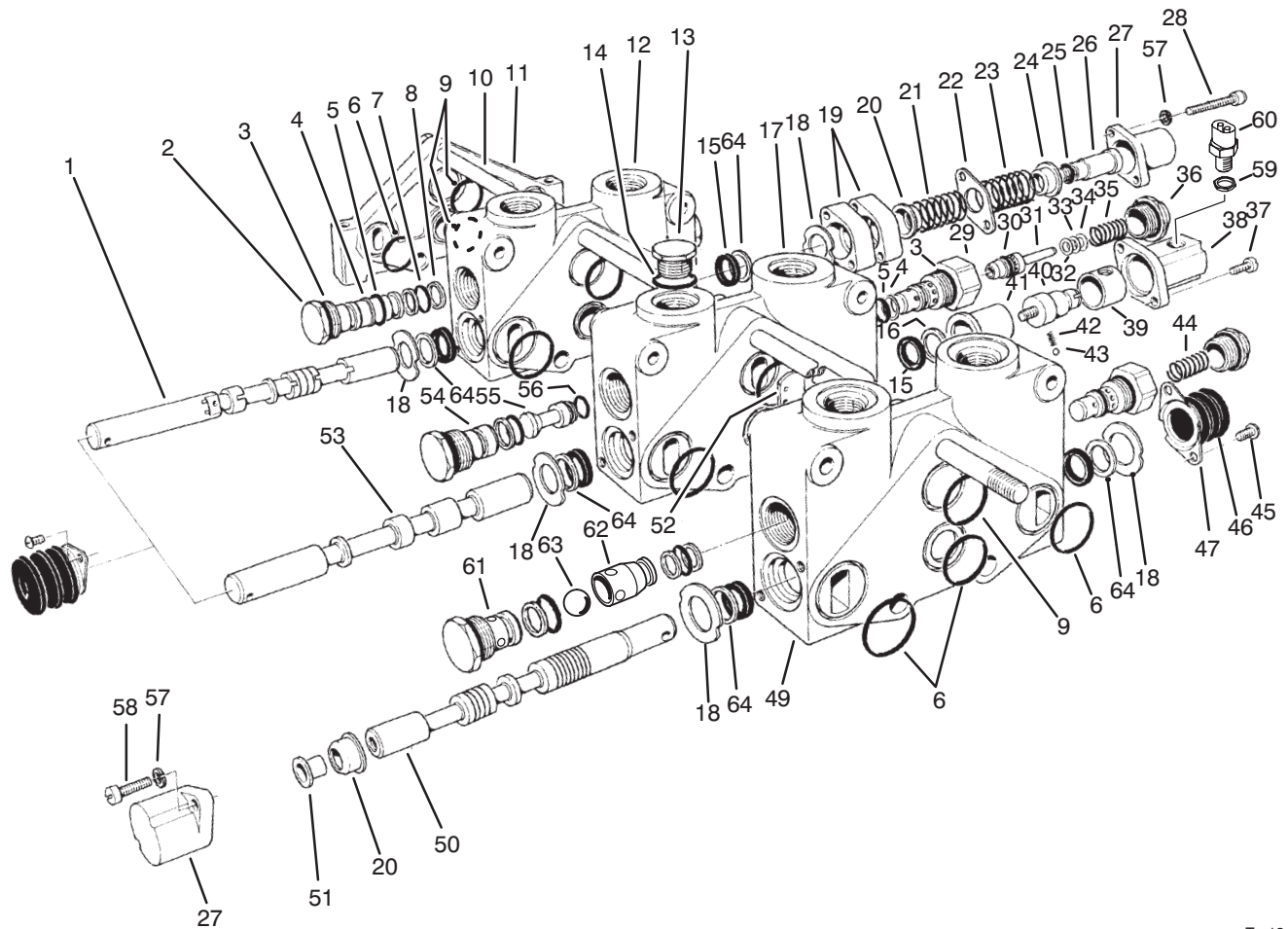
T-1319A

CONTROL VALVE ASSY. NO. 84-2203 (Sections 3 Thru 5)

Ref. No.	Part No.	Description	No. Used
†1		Spool #5	1
2	353-481	Plug - Load Check (Incl. Ref. #3-5 & 7-8)	3
3	237-54	O-Ring	6
4	353-306	Ring - Backup	5
5	353-305	O-Ring	5
†6		O-Ring	11
7	353-302	O-Ring	3
8	353-303	Ring - Backup	6
†9		O-Ring	5
10	353-853	Bolt - Hex Hd.	3
11	353-668	Plate - Cap, Cover RH	1
12		Housing V20 #5	1
13	353-550	Plug Assembly (Incl. Ref. #14)	1
14	353-848	O-Ring	1
15	353-957	Seal - Lip	6
16	353-958	Ring - Backup	1
†17		Housing V20 #4	1
18	92-2547	Plate - Seal Retainer	6
19	353-733	Spacer - Bonnet	2
20	353-417	Collar Spring	2
21	353-831	Spring	1
22	353-529	Plate Seal	1
23	92-3148	Spring	1
24	353-808	Collar - Spring	1

Ref. No.	Part No.	Description	No. Used
25	353-830	O-Ring	1
26	353-829	Collar Spool	1
27	354-26	Bonnet	2
28	354-28	Screw - Hex, Socket Hd.	2
29	353-851	Body - Relief CP-RC Mod.	2
30	353-392	Seal - Relief Poppet PTFE	2
31	353-531	Poppet Assembly (Incl. Ref. #30)	2
32	353-328	Washer - Shim	A/R
33	353-329	Washer - Shim	A/R
34	353-330	Washer - Shim	A/R
35	353-398	Spring	1
36	353-334	Cap - Relief	2
37	52-5900	Screw - Fillister Hd.	4
38	353-847	Bonnet (SPL)	1
39	353-849	Sleeve	1
40	353-846	Spud - DI (SPL)	1
41	353-845	Sleeve - Detent	1
42	353-730	Spring	1
43	353-731	Ball	1
44	353-855	Spring	1
45	3274-52	Screw - Hex, Socket Hd.	6
46	353-575	Boot - Dust Cap	3
47	93-3651	Retainer - Boot	3
49		Housing V20 #2	1
†50		Spool V20 3 Way F.F.	1

†Parts Available as Assemblies Listed as (*Not Illustrated) on Following Page



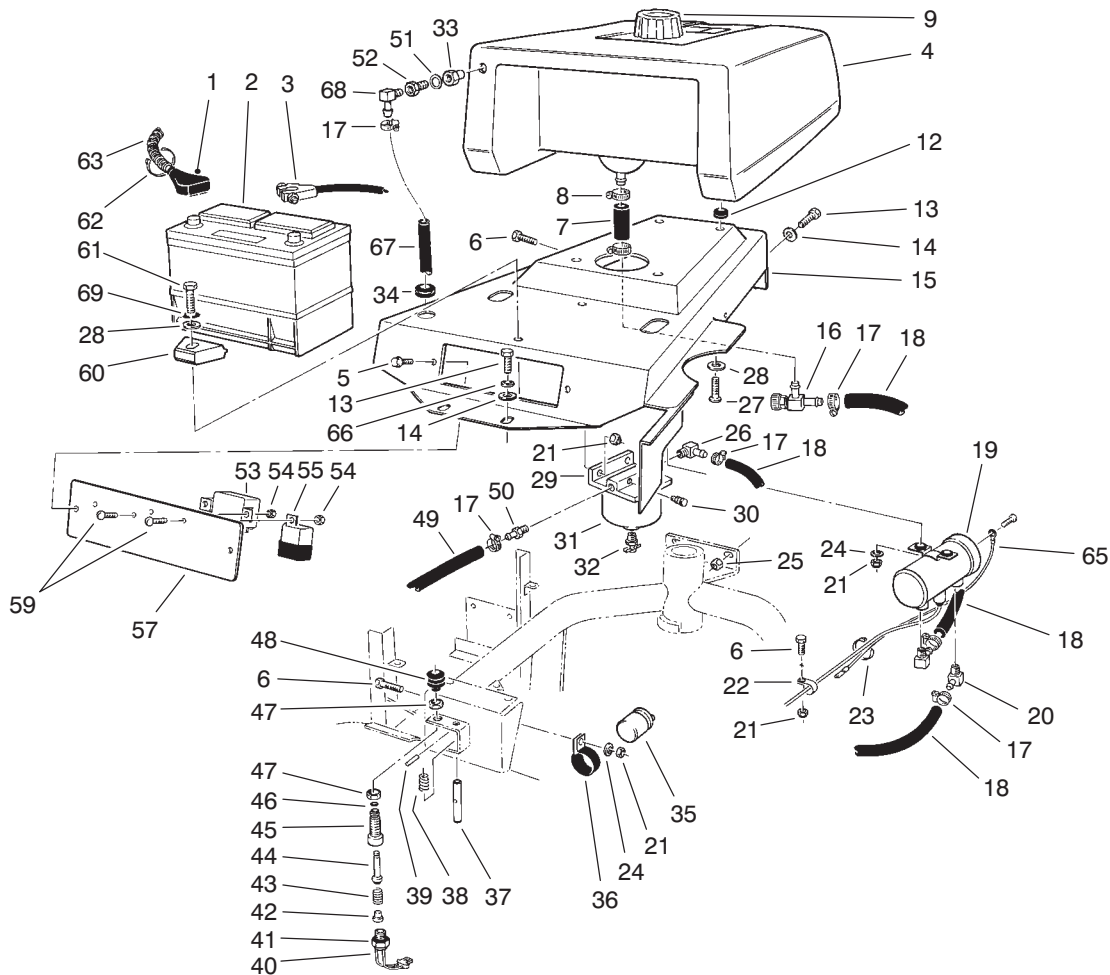
T-1319A

CONTROL VALVE ASSEMBLY NO. 84-2203 (Sections 3 Thru 5) (Continued)

Ref. No.	Part No.	Description	No. Used	Ref. No.	Part No.	Description	No. Used
51	52-5860	Collar - Spool	1	*	354-25	Section #4 Assembly (Complete)	1
52	354-122	Disc - Seal	1	*	92-1386	Section #5 Assembly (Complete)	1
†53		Spool #4	1	*	353-841	Position - Spool Assembly (Incl. Ref. #20, 27, 37, & 51)	1
54	353-953	Plug Assembly Plus Series	1	*	353-840	Position - DI (SP) Assy. (Incl. Ref. #37-43)	1
55	353-844	(Incl. Ref. #56)	1	*	353-642	Relief - RC Mod. Assembly (Incl. Ref. #3-5 & 29-36)	1
56	353-850	O-Ring	1	*	353-833	Positioner Assembly (Incl. Ref. #19-28)	1
57	3253-3	Washer - Lock	4	*	84-2203	Control Valve Assembly Complete	1
58	3274-84	Screw - Cap, Hex. Hd.	4	*	92-2548	Seals - Spool Single (Incl. Ref. #15, 18 & 64)	1
59	38-0410	Nut - Hex.	1	*	92-2549	Seals - End Set #4 Only (Incl. Ref. #15, 16 & 18)	1
60	83-1890	Switch - Ball	1	*	92-2545	Seals - Spool (Entire Valve Set)	1
61	353-483	Body - Anticavitation	1				
62	353-484	Retainer - Ball	1				
63	353-737	Ball	1				
64	92-2546	Wiper - Seal	5				
*	354-129	Anticavitation Check Assy. (Incl. Ref. #3-5, 7-8, & 61-63)	1				
*	353-835	Seals - Section Set (Incl. Ref. #6 & 9)	1				
*	93-3652	Boot - Spool Assembly (Incl. Ref. #45-47)	3				
*	353-131	Section #3 Assembly (Complete)	1				

*Not Illustrated

†Parts Available as Assemblies Listed as (*Not Illustrated) on This Page

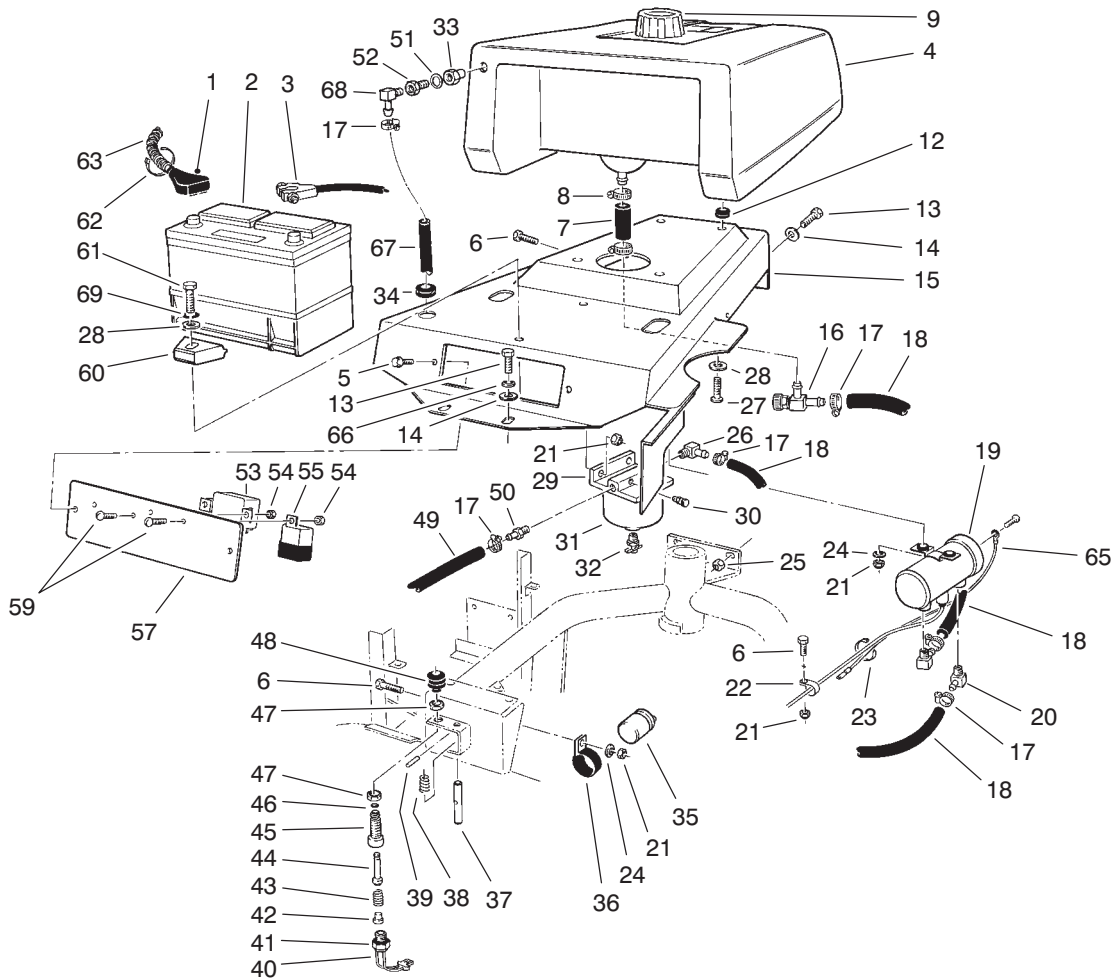


T-0637

GAS TANK & BATTERY ASSEMBLY

Ref. No.	Part No.	Description	No. Used	Ref. No.	Part No.	Description	No. Used
1	92-1191	Cable - Battery, Positive	1	28	3256-24	Washer - Flat	6
2†		Battery	1	29	63-8280	Head Assembly	1
3	92-1190	Cable - Battery, Negative	1	30	63-8290	Fitting - Vent	1
4	76-4380	Tank - Fuel, Diesel	1	31	63-8300	Element - Filter	1
5	32144-1	Screw - Thread Forming	2	32	63-8310	Fitting - Drain	1
6	321-4	Screw - Cap, Hex. Hd.	4	33	52-1890	Wellnut - Rubber	1
7	56-2230	Hose - Fuel	1	34	237-124	Grommet	1
8	2412-36	Clamp - Hose	2	35	37-2690	Capacitor	1
9	55-3577	Cap - Fuel	1	36	2412-74	Clamp-R	1
12	237-136	Grommet	4	37	51-0350	Pin - Spring, Seat	1
13	323-6	Screw - Cap, Hex. Hd.	4	38	3-6685	Spring - Compression	1
14	3256-3	Washer - Flat	4	39	3284-3	Pin - Groove	1
15	68-5510	Base - Tank, Fuel	1	40	72-4320	Switch - Neutral (Incl. Ref. #41)	1
16	56-2520	Valve - Shutoff, Fuel	1	41	237-30	O-Ring	1
17	2412-108	Clamp - Hose	8	42	43-8610	Guide - Spring & Ball Seat	1
18	63-7622	Hose - Fuel	2	43	43-8600	Spring - Compression	1
19	53-8150	Pump - Fuel (Incl. Ref. #65)	1	44	43-8860	Plunger - Switch	1
20	67-1690	Fitting	2	45	43-8620	Guide - Pin, Switch	1
21	3296-16	Nut - Lock	5	46	237-7	O-Ring	1
22	2412-89	Clamp-R	1	47	218-461	Nut - Jam	2
23	3290-379	Tie - Cable	3	48	43-8870	Boot - Switch	1
24	3256-22	Washer - Flat	3	49	63-7623	Hose - Fuel	1
25	3296-39	Nut - Lock	2	50	353-783	Fitting - Straight	1
26	353-707	Fitting	1	51	53-9880	Washer	1
27	3250-36	Screw - Pan Head	4	52	52-1880	Adapter - Fitting, Fuel	1

† Obtain Locally

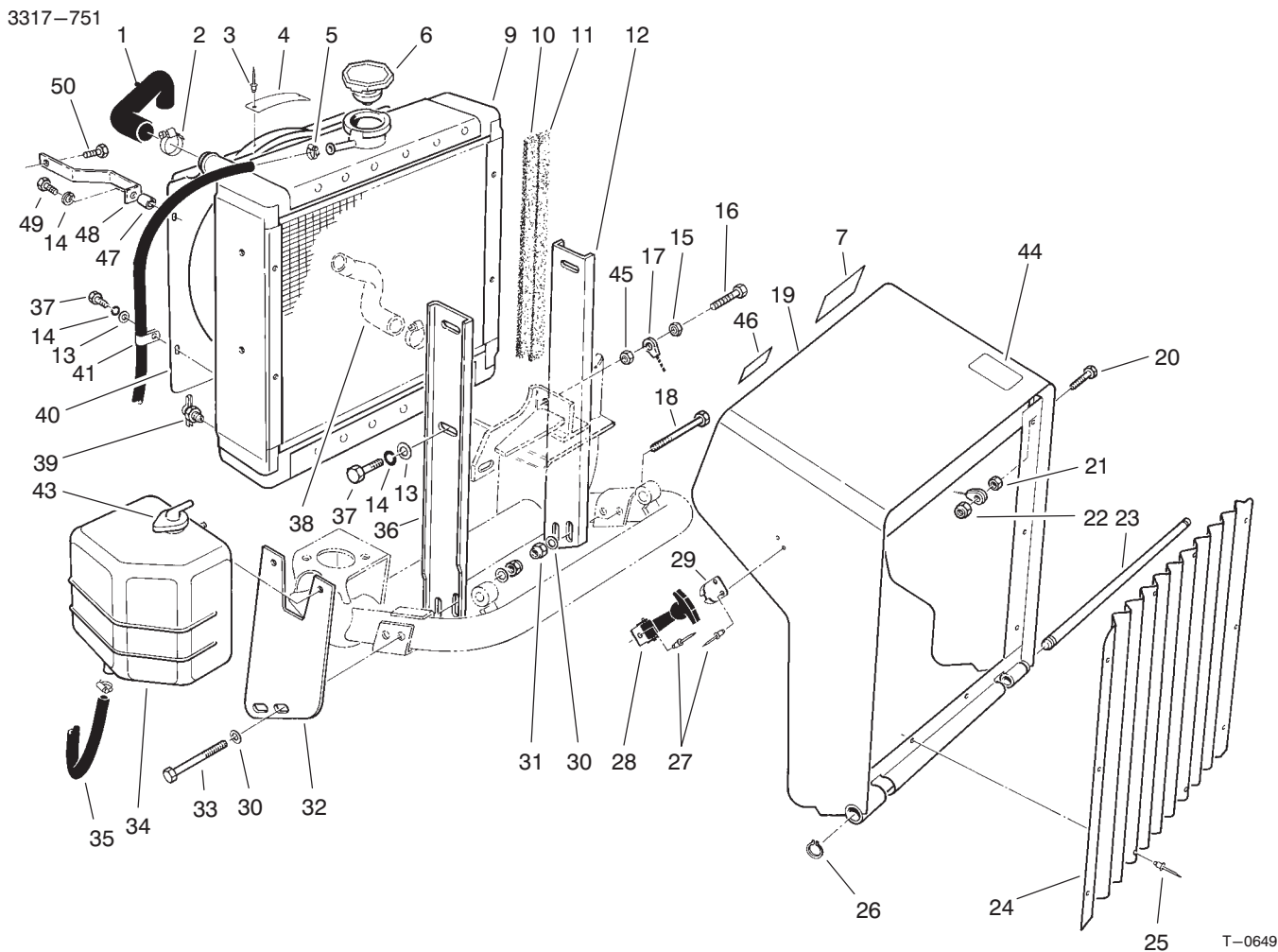


T-0637

GAS TANK & BATTERY (Continued)

Ref. No.	Part No.	Description	No. Used	Ref. No.	Part No.	Description	No. Used
53	66-8800	Relay - Glow	1	63	70-8510	Tubing - Convoluted	1
54	32149-7	Nut - KEPS	4	65	70-8530	Wire - Pump, Fuel	1
55	63-7590	Relay - SPDT	2	66	3253-21	Washer - Lock	2
57	68-5680	Plate - Electrical	1	67	76-4420	Hose - Fuel	1
59	32105-8	Screw - Machine	4	68	76-4430	Fitting - Fuel	1
60	66-2490	Retainer - Battery	2	69	3254-6	Washer - Lock	2
61	323-9	Screw - Cap, Hex. Hd.	2	*	43-9071	Switch Assembly (Incl. Ref. #40-48)	1
62	3290-378	Tie - Cable	4				

*Not Illustrated

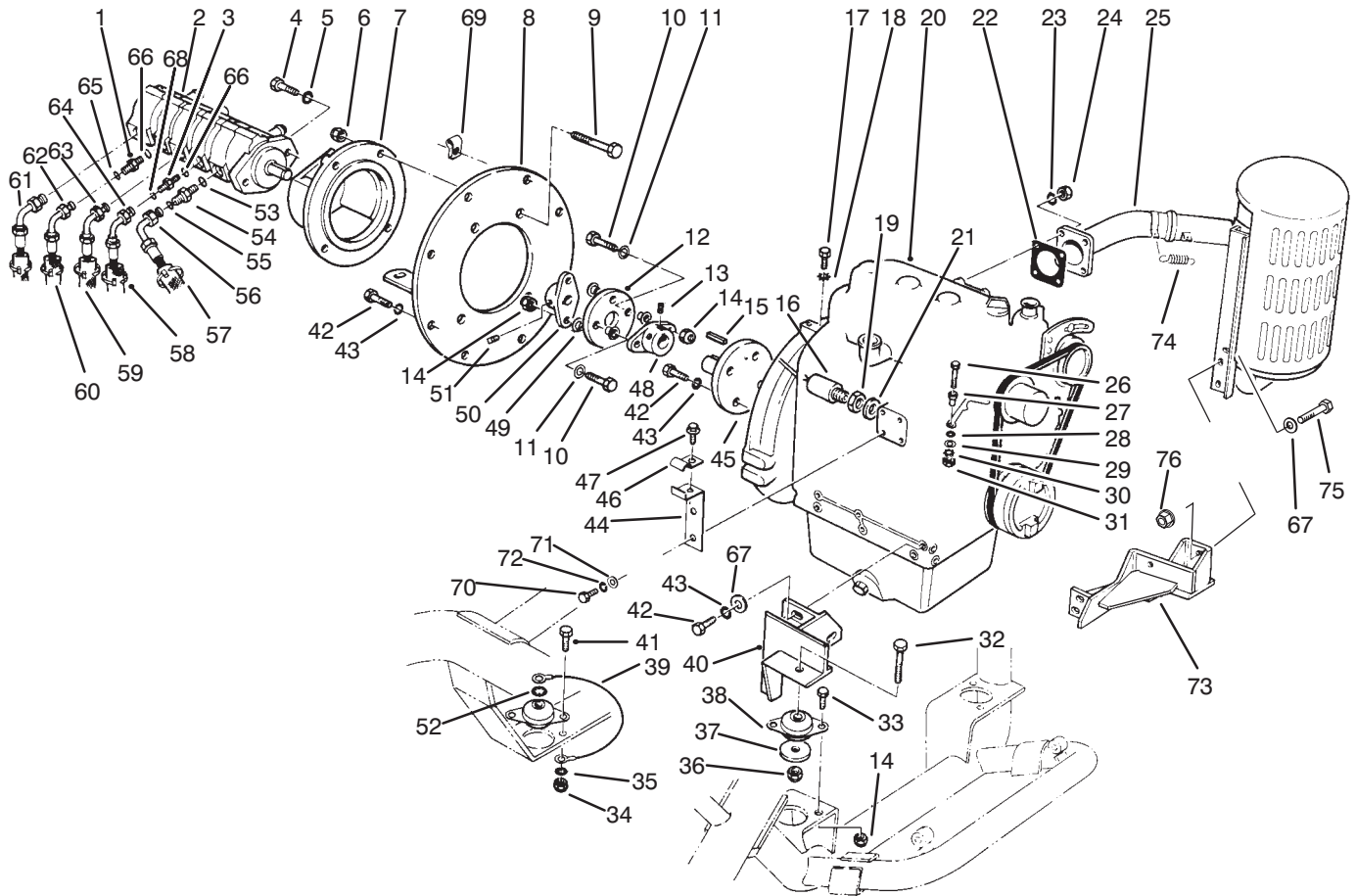


T-0649

RADIATOR & GRILLE ASSEMBLY

Ref. No.	Part No.	Description	No. Used
1	68-4850	Hose - Upper	1
2	2412-3	Clamp	4
3	3290-271	Rivet	2
4	76-8750	Plate - Warning	1
5	2412-108	Clamp - Gear, Worm	2
6	66-3240	Cap - Radiator	1
7	83-6730	Decal - Coolant, Engine	1
9	68-5230	Radiator (Incl. Ref. #39)	1
10	68-5240	Strip - Foam	2
11	68-5241	Strip - Foam	2
12	68-5660	Support - Radiator, Rear	1
13	3256-23	Washer - Flat	7
14	3253-4	Washer - Lock	8
15	3217-6	Nut - Hex.	1
16	322-6	Screw - Cap, Hex. Hd.	1
17	72-9870	Cable	1
18	323-12	Screw - Cap, Hex. Hd.	2
19	68-4860	Hood - Radiator	1
20	321-6	Screw - Cap, Hex. Hd.	1
21	3218-1	Nut - Jam	1
22	3296-16	Nut - Lock	1
23	85-6560	Pin - Pivot, Hood	1
24	68-5670	Grille	1
25	3290-409	Rivet - Pop	10

Ref. No.	Part No.	Description	No. Used
26	32151-101	Ring - Retaining	2
27	3290-55	Rivet - Pop	8
28	59-9740	Latch Assembly (Incl. Ref. #29)	2
29		Keeper	2
30	3256-3	Washer - Flat	6
31	3296-59	Nut - Lock	4
32	68-5640	Bracket - Tank, Reserve	1
33	323-13	Screw - Cap, Hex. Hd.	2
34	63-7380	Tank - Reserve	1
35	68-5470	Hose	1
36	68-5650	Support - Radiator, Front	1
37	322-3	Screw - Cap, Hex. Hd.	7
38	68-4840	Hose	1
39	304-46	Cock - Drain, Radiator	1
40	68-5180	Shroud - Radiator	1
41	2412-41	Clamp	1
43	71-1520	Cap - Tank, Reserve	1
44	63-8440	Decal - Hot Surface	1
45	3296-29	Nut - Lock	1
46	66-6840	Decal - Hot Surface	1
47	75-9610	Spacer	1
48	75-9630	Brace	1
49	322-9	Screw - Cap, Hex. Hd.	1
50	32144-14	Screw - Cap, Hex. Hd.	1



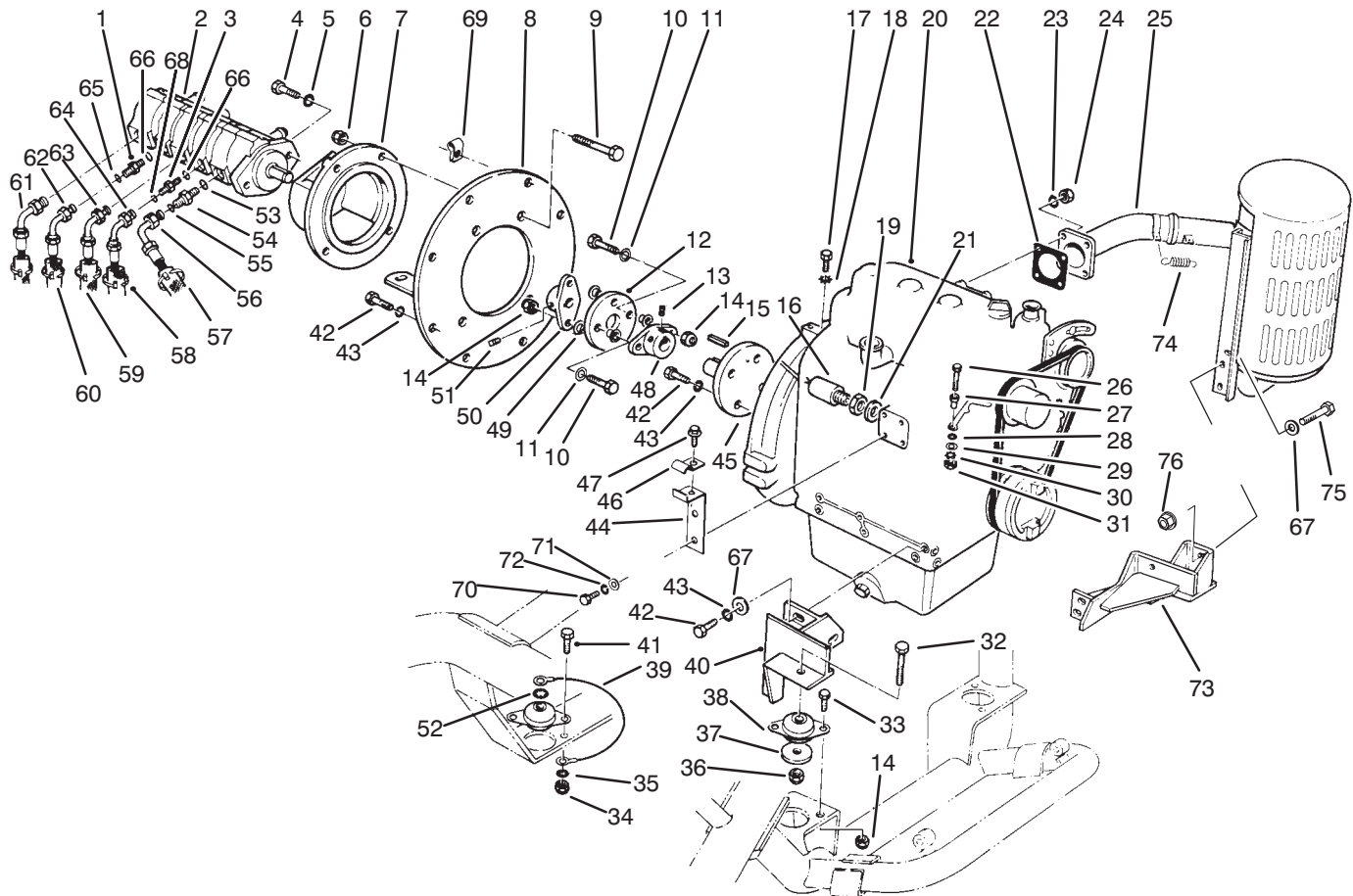
T-1766A

ENGINE INSTALLATION ASSEMBLY

Ref. No.	Part No.	Description	No. Used
1	340-1	Fitting - Hydraulic (Incl. Ref. #65 & 66)	1
2	68-4940	Pump - Gear	1
3	340-2	Fitting - Hydraulic (Incl. Ref. #65 & 68)	3
4	323-8	Screw - Cap, Hex. Hd.	2
5	3253-29	Washer - Lock	2
6	3296-48	Nut - Lock	4
7	68-4930	Mount - Pump	1
8	68-4960	Plate - Flywheel	1
9	324-7	Screw - Cap, Hex. Hd.	4
10	322-6	Screw - Cap, Hex. Hd.	4
11	3256-23	Washer - Flat	4
12	44-2230	Coupling - Rubber	1
13	3241-2	Screw - Set, Sq. Hd.	2
14	3296-29	Nut - Lock	12
15	67-7490	Key	1
16	63-7440	Solenoid - Stop	1
17	70-8470	Screw	1
18	3255-16	Washer - Lock, Int. Tooth	1
19	43-2750	Nut - Jam	1
20	68-4950	Engine Assembly	1
21	43-2740	Gasket - Solenoid	1
22	42-9110	Gasket - Muffler	1
23	42-9850	Washer - Lock	4
24	48-7930	Nut	4

*Not Illustrated

Ref. No.	Part No.	Description	No. Used
25	92-7164	Muffler - Exhaust	1
26	67-5110	Bolt	1
27	67-5100	Bushing	1
28	67-5120	Washer - Spring	1
29	67-5130	Washer - Flat	1
30	67-5140	Washer - Serrated	1
31	67-5150	Nut	1
32	323-11	Screw - Cap, Hex. Hd.	4
33	322-4	Screw - Cap, Hex. Hd.	7
34	3296-39	Nut - Lock	2
35	3254-2	Washer - Lock, Int. Tooth	1
36	3296-59	Nut - Lock	4
37	63-7400	Washer - Rebound	4
38	63-7140	Mount - Shock	4
39	70-8220	Cable - Ground	1
40	68-4990	Bracket - Engine, RH	1
41	322-5	Screw - Cap, Hex. Hd.	1
42	63-7790	Screw	18
43	48-9590	Washer - Lock	18
44	68-5090	Support - Cable, Throttle	1
45	68-4920	Hub - P.T.O.	1
46	2412-31	Clip - Cable	1
47	12-3270	Screw - Washer Hd.	1
48	27-1960	Hub	1
49	27-6600	Spacer	4
50	27-1970	Hub	1



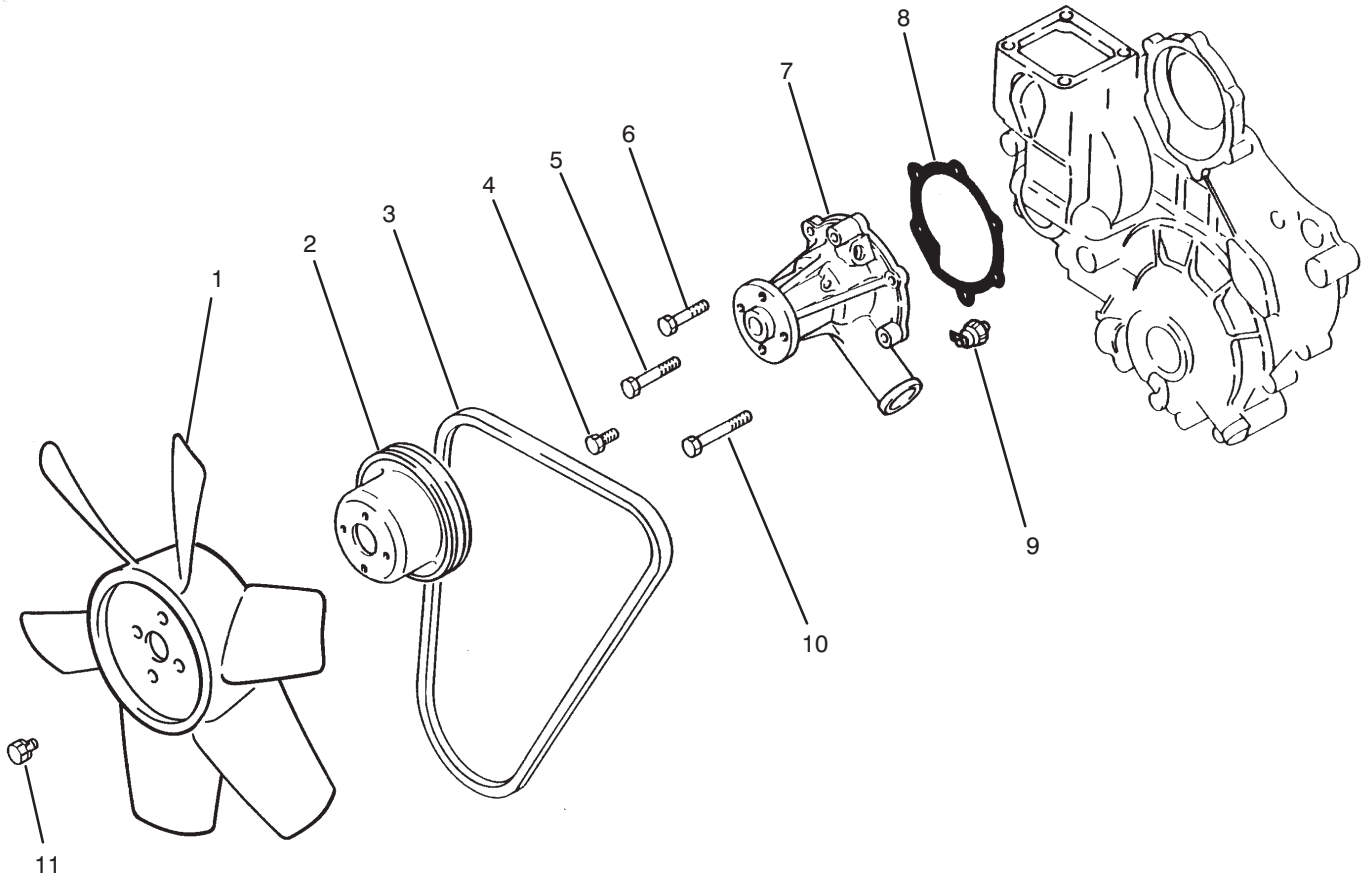
T-1766A

ENGINE INSTALLATION ASSEMBLY (Continued)

Ref. No.	Part No.	Description	No. Used
51	3241-6	Screw - Set, Sq. Hd.	2
52	3254-6	Washer - Lock, Int. Tooth	1
53	237-80	O-Ring	1
54	340-6	Fitting - Hydraulic (Incl. Ref. #53 & 55)	1
55	237-30	O-Ring	1
56	68-5810	Hose - Pump (Incl. Ref. #57 & 58)	1
57	56-7984	Sleeve - Protective	1
58	3290-378	Tie - Cable	10
59	70-8450	Sleeve - Protective	3
60	70-8445	Sleeve - Protective	1
61	68-5850	Hose - Pump (Incl. Ref. #58 & 59)	1
62	68-5840	Hose - Pump, Steering (Incl. Ref. #58 & 60)	1
63	68-5770	Hose - Pump (Incl. Ref. #58 & 59)	1

Ref. No.	Part No.	Description	No. Used
64	68-5710	Hose - Pump (Incl. Ref. #58 & 59)	1
65	237-35	O-Ring	1
66	237-42	O-Ring	4
67	3256-24	Washer	9
68	237-22	O-Ring	3
69	2412-39	Clamp	1
70	48-7630	Screw - Cap, Metric	1
71	48-8010	Washer - Flat	1
72	48-8020	Washer - Lock	1
73	92-7168	Bracket - Engine, LH	1
74	92-8915	Spring	2
75	323-7	Screw - Cap Hex. Hd.	2
76	3290-357	Nut - Lock	1
*	70-8550	Spark Arrester (Optional)	1

*Not Illustrated

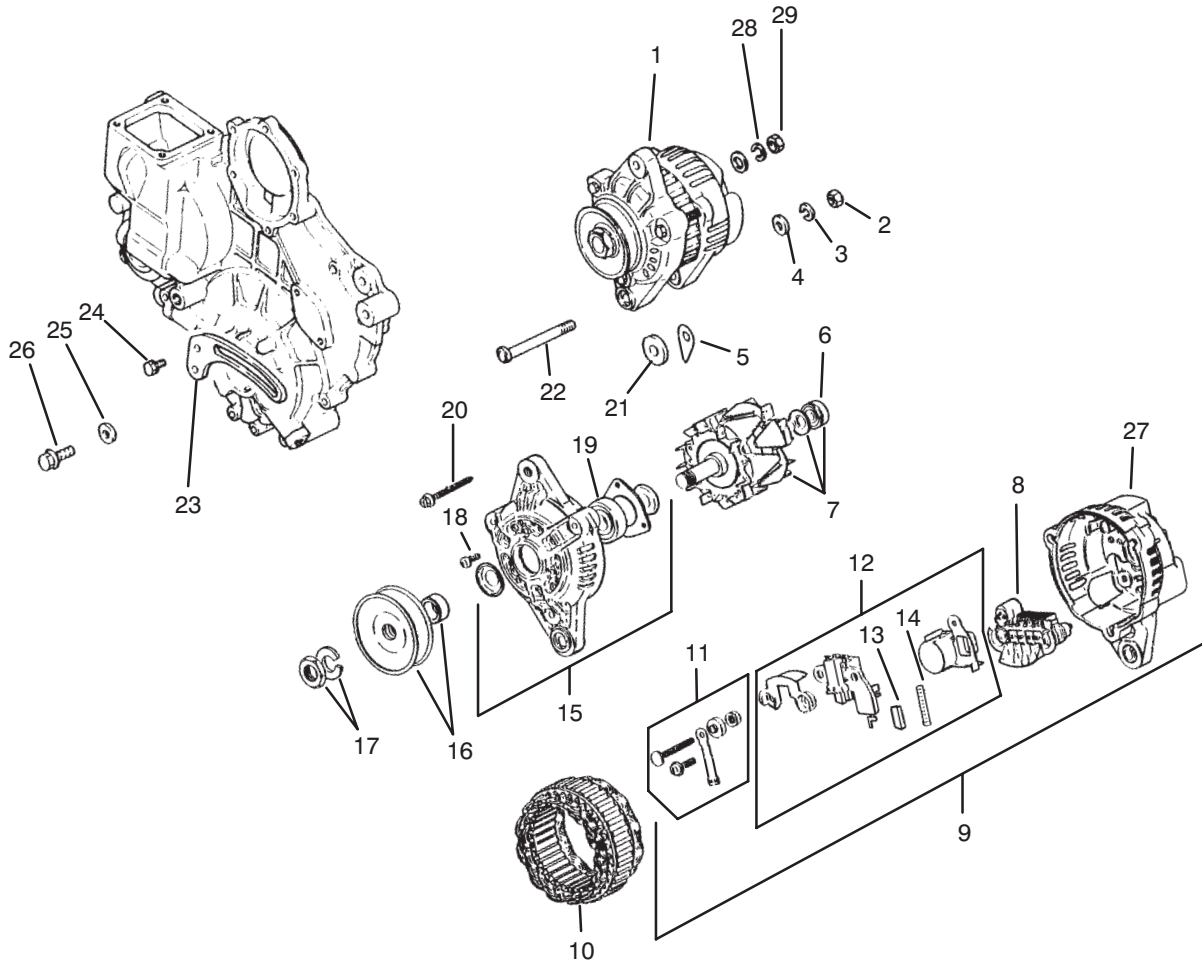


T-0614

WATER PUMP ASSEMBLY

Ref. No.	Part No.	Description	No. Used
1	70-8730	Fan	1
2	67-4370	Pulley	1
3	67-4410	Belt - V	1
4	67-2330	Bolt	2
5	67-4400	Bolt	1
6	67-2600	Bolt	1

Ref. No.	Part No.	Description	No. Used
7	70-8740	Pump Assembly	1
8	67-4390	Gasket	1
9	67-4350	Switch Assy. - Press. Oil	1
10	67-2610	Bolt	2
11	42-9490	Bolt & Washer	4

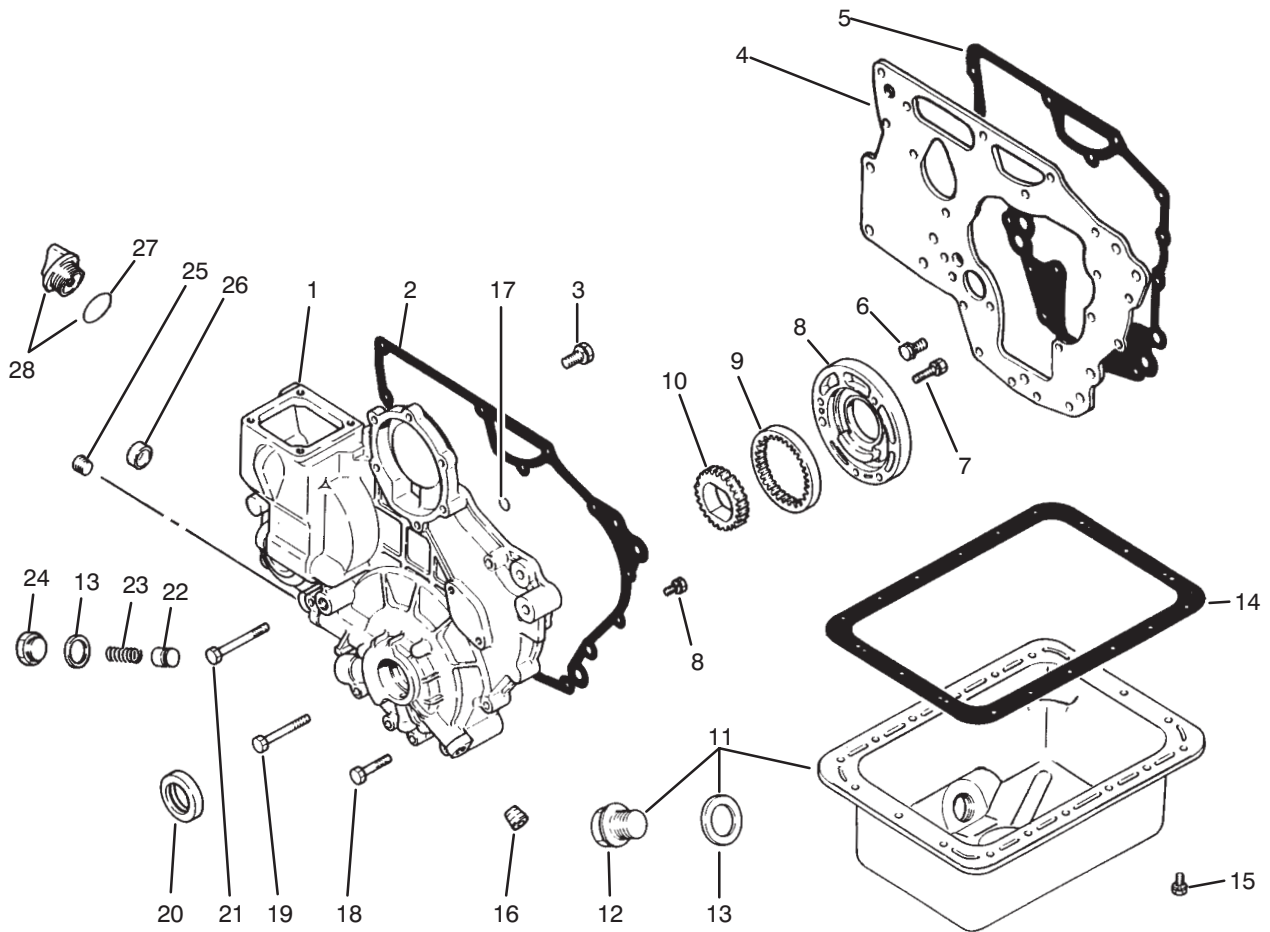


T-0573

ALTERNATOR ASSEMBLY

Ref. No.	Part No.	Description	No. Used
1	67-4630	Alternator Assembly (Incl. Ref. #6-17)	1
2	67-4670	Nutd	1
3	67-3260	Washer	1
4	42-9660	Washer	1
5	43-0370	Shim	1
6	67-4870	Bearing - Rear	1
7	67-4860	Rotor Assembly (Incl. Ref. #6)	1
8	67-4930	Rectifier Assembly	1
9	67-4890	Rear Bracket Assembly (Incl. Ref. #8, 11 & 12)	1
10	67-4880	Stator Assembly	1
11	67-4900	Terminal Set	1
12	67-4910	Regulator Assembly (Incl. Ref. #13 & 14)	1
13	67-4920	Brush	2

Ref. No.	Part No.	Description	No. Used
14	43-0510	Spring - Brush	2
15	67-4830	Front Bracket Assembly (Incl. Ref. #18 & 19)	1
16	67-4810	Pulley Set	1
17	43-1920	Nut - Special	1
18	67-4840	Screw - Set	1
19	67-4850	Bearing - Front	1
20	67-4820	Bolt Set	1
21	67-4620	Spacer	1
22	67-4640	Bolt	1
23	67-4650	Brace	1
24	42-9440	Bolt & Washer	1
25	54-8660	Washer	1
26	67-4660	Bolt - Flange	1
27	5-3637	Washer - Flat	1
28	43-5920	Washer - Lock	1
29	43-5970	Nut - Hex.	1



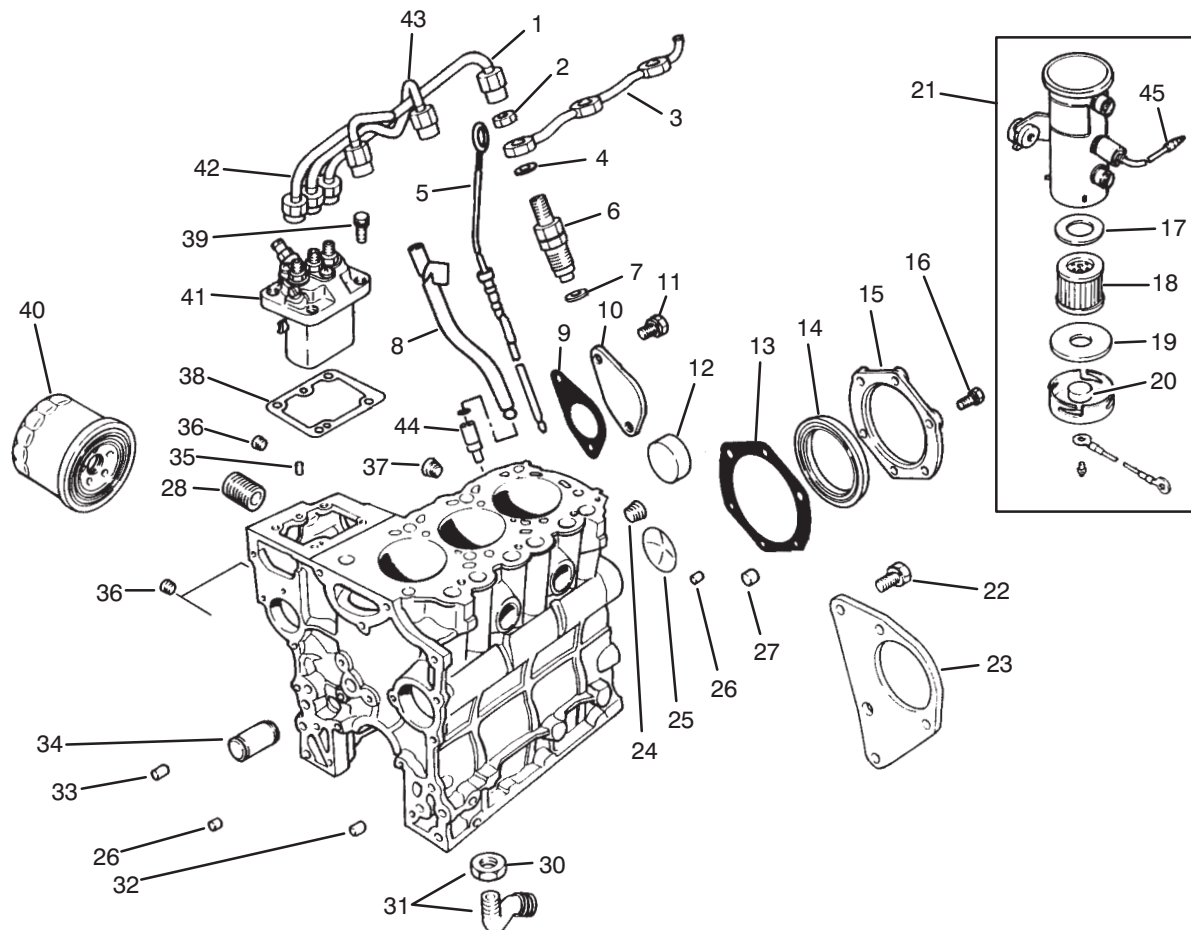
T-0613

CRANKCASE ASSEMBLY

Ref. No.	Part No.	Description	No. Used
1	75-4920	Crankcase Sub-Assembly	1
2	67-2580	Gasket - Case	1
3	67-2340	Bolt & Washer	3
4	67-2310	Plate	1
5	67-2320	Gasket - Plate	1
6	42-9440	Bolt & Washer	11
7	67-2560	Bolt & Washer	3
8	67-2550	Housing - Pump, Oil	1
9	67-2540	Gear - Outer	1
10	67-2530	Gear - Inner	1
11	67-2470	Oil Pan Assembly (Incl. Ref. #15 & 16)	1
12	42-9260	Plug	1
13	42-7290	Gasket - Drain, Oil	2
14	67-2480	Gasket - Pan, Oil	1
15	42-9490	Bolt & Washer	18

Ref. No.	Part No.	Description	No. Used
16	42-7210	Plug	1
17	67-2630	O-Ring	2
18	67-2600	Bolt	3
19	67-2610	Bolt	4
20	67-2590	Seal - Oil	1
21	67-2620	Bolt	1
22	67-2500	Plunger	1
23	67-2510	Spring	1
24	67-2520	Plug	1
25	67-2570	Plug	1
26	67-2640	Cap	1
27	67-2660	O-Ring	1
28	67-2650	Oil Fill Cap Assembly (Incl. Ref. #27)	1
*	70-8790	Gasket Kit	1

*Not Illustrated



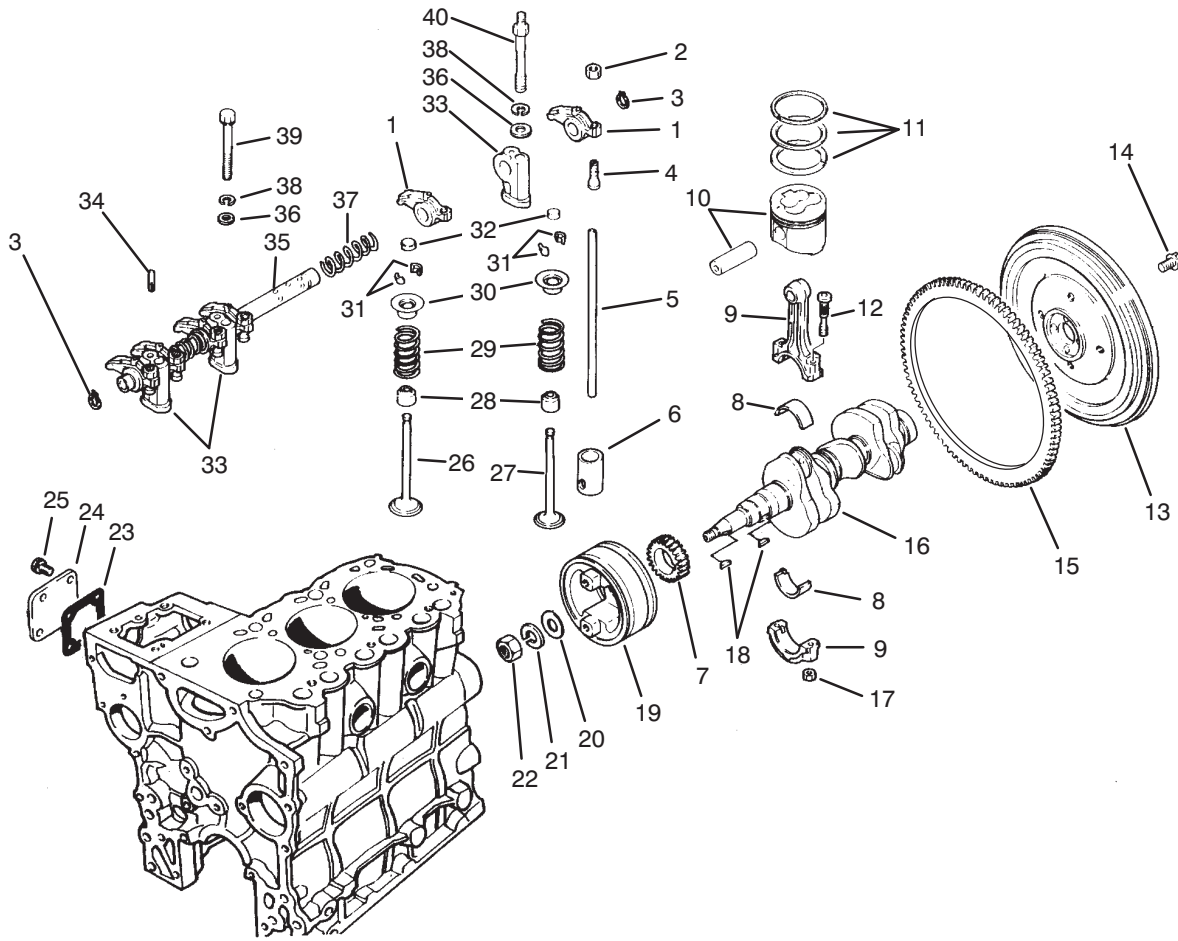
T-0569

FUEL SUPPLY & ENGINE BLOCK ASSEMBLY

Ref. No.	Part No.	Description	No. Used
1	67-3420	Pipe Assembly No. 3	1
2	67-3430	Nut	3
3	70-8700	Pipe - Return, Fuel	1
4	67-3440	Gasket	3
5	70-8880	Dipstick	1
6	67-3380	Nozzle & Holder Assembly	1
7	67-3390	Gasket	3
8	67-2220	Guide	1
9	67-2300	Gasket	1
10	67-2290	Cover	1
11	67-2340	Bolt & Washer	2
12	56-0020	Plug	1
13	67-2280	Gasket	1
14	67-2230	Seal - Oil	1
15	67-2270	Case	1
16	67-2330	Bolt	6
17	43-2570	Gasket	1
18	43-2550	Filter	1
19	43-2560	Gasket	1
20	43-2580	Magnet	1
21	53-8150	Pump Assembly (Incl. Ref. #17-20)	1
22	70-8890	Housing - Flywheel	1
23	67-2440	Bolt & Washer	9
24	67-2390	Plug	1
25	67-2350	Plug	1
26	67-2360	Bushing	2

Ref. No.	Part No.	Description	No. Used
27	67-2380	Bushing	3
28	56-1230	Shaft - Filter, Oil	1
29	67-2460	Bolt	4
30	42-9650	Nut - Jam	1
31	67-4340	Screen Assembly (Incl. Ref. #30)	1
32	67-2370	Bushing	1
33	42-7190	Bushing	1
34	67-2260	Shaft - Idler	1
35	56-0220	Pin	2
36	67-2210	Plug	3
37	56-0100	Plug	1
38	67-3280	Shim - 0.2	1
*	67-3290	Shim - 0.3	1
*	67-3300	Shim - 0.4	1
*	67-3310	Shim - 0.5	1
*	67-3320	Shim - 0.6	1
*	67-3330	Shim - 0.7	1
*	67-3340	Shim - 0.8	1
*	67-3350	Shim - 0.9	1
*	67-3360	Shim - 1.0	1
39	67-3370	Bolt & Washer	4
40	67-4330	Oil Filter Assembly	1
41	70-8690	Pump Assembly	1
42	67-3400	Pipe Assembly No.1	1
43	67-3410	Pipe Assembly No.2	1
44	70-8530	Wire Assembly	1

*Not Illustrated

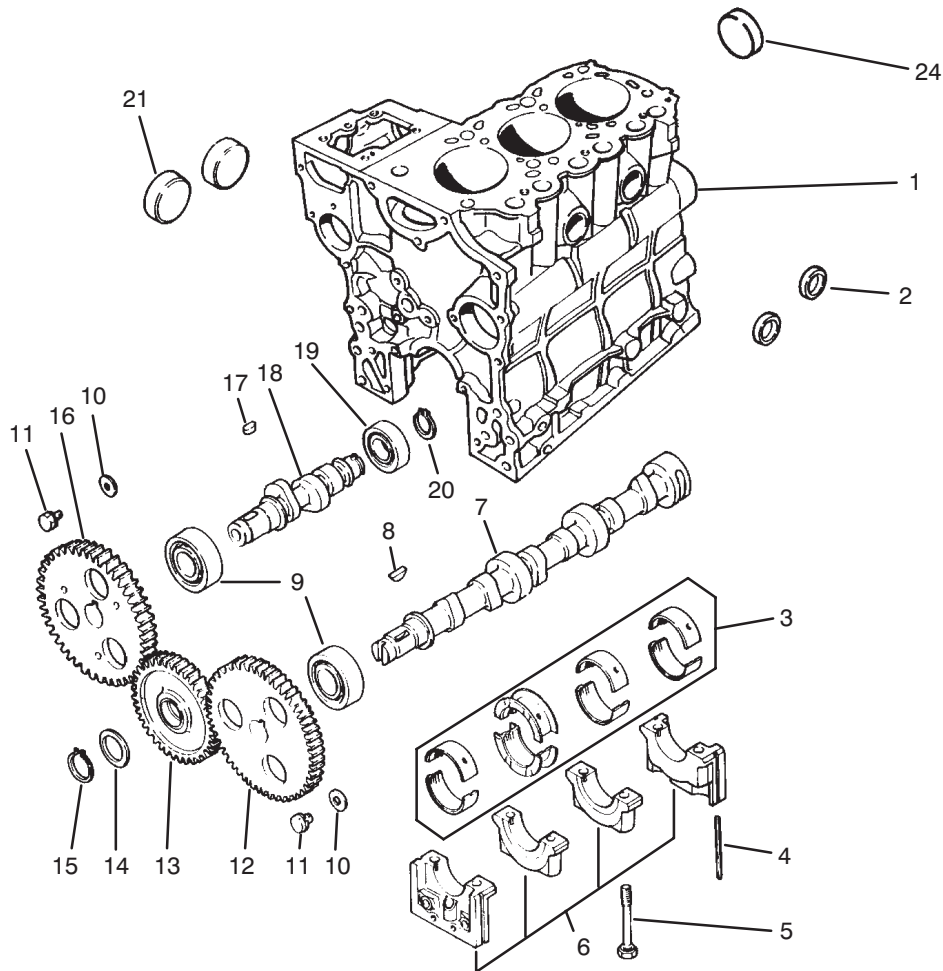


T-0611

VALVES & CRANKSHAFT ASSEMBLY

Ref. No.	Part No.	Description	No. Used	Ref. No.	Part No.	Description	No. Used
1	67-3160	Arm - Rocker	6	17	42-9590	Nut	6
2	67-3230	Nut - Jam	6	18	56-0480	Key - Woodruff	2
3	67-3040	Ring - Snap	2	19	70-8680	Pulley - Crankshaft	1
4	67-3210	Screw - Adjusting	6	20	67-2950	Washer	1
5	67-3150	Rod - Push	6	21	67-2960	Washer - Lock	1
6	67-3120	Tapet	6	22	67-2940	Nut - Jam	1
7	67-2910	Gear	1	23	67-4310	Gasket	1
8	67-2880	Bearing Set - Std.	1	24	67-4250	Cover	1
*	67-2890	Bearing Set - 0.25 U.	1	25	42-9440	Bolt & Washer	4
*	67-2900	Bearing Set - 0.50 U.	1	26	67-3130	Valve - Intake	3
9	70-8860	Connecting Rod Assembly (Incl. Ref. #8, 9, 12 & 17)	3	27	67-3140	Valve - Exhaust	3
10	70-8830	Piston & Pin Set - Std.	1	28	42-7870	Seal	6
*	70-8840	Piston & Pin Set - 0.25 U.	1	29	67-3110	Spring	6
*	70-8850	Piston & Pin Set - 0.50 U.	1	30	67-3100	Retainer	6
11	70-8800	Piston Ring Set - Std.	1	31	42-7860	Lock	12
*	70-8810	Piston Ring Set - 0.25 U.	1	32	67-3180	Cap	6
*	70-8820	Piston Ring Set - 0.50 U.	1	33	67-3200	Stay - Rocker	3
12	67-2860	Bolt	6	34	67-3220	Pin	1
13	67-2970	Flywheel Assembly (Incl. Ref. #15)	1	35	67-3190	Rocker Shaft Assembly	1
14	67-2990	Bolt	4	36	42-9660	Washer	3
15	67-2980	Gear - Ring	1	37	67-3170	Spring	2
16	92-0845	Crankshaft	1	38	67-3260	Washer	3
				39	42-9510	Bolt	1
				40	67-3250	Bolt - Stay, Rocker	2

*Not Illustrated



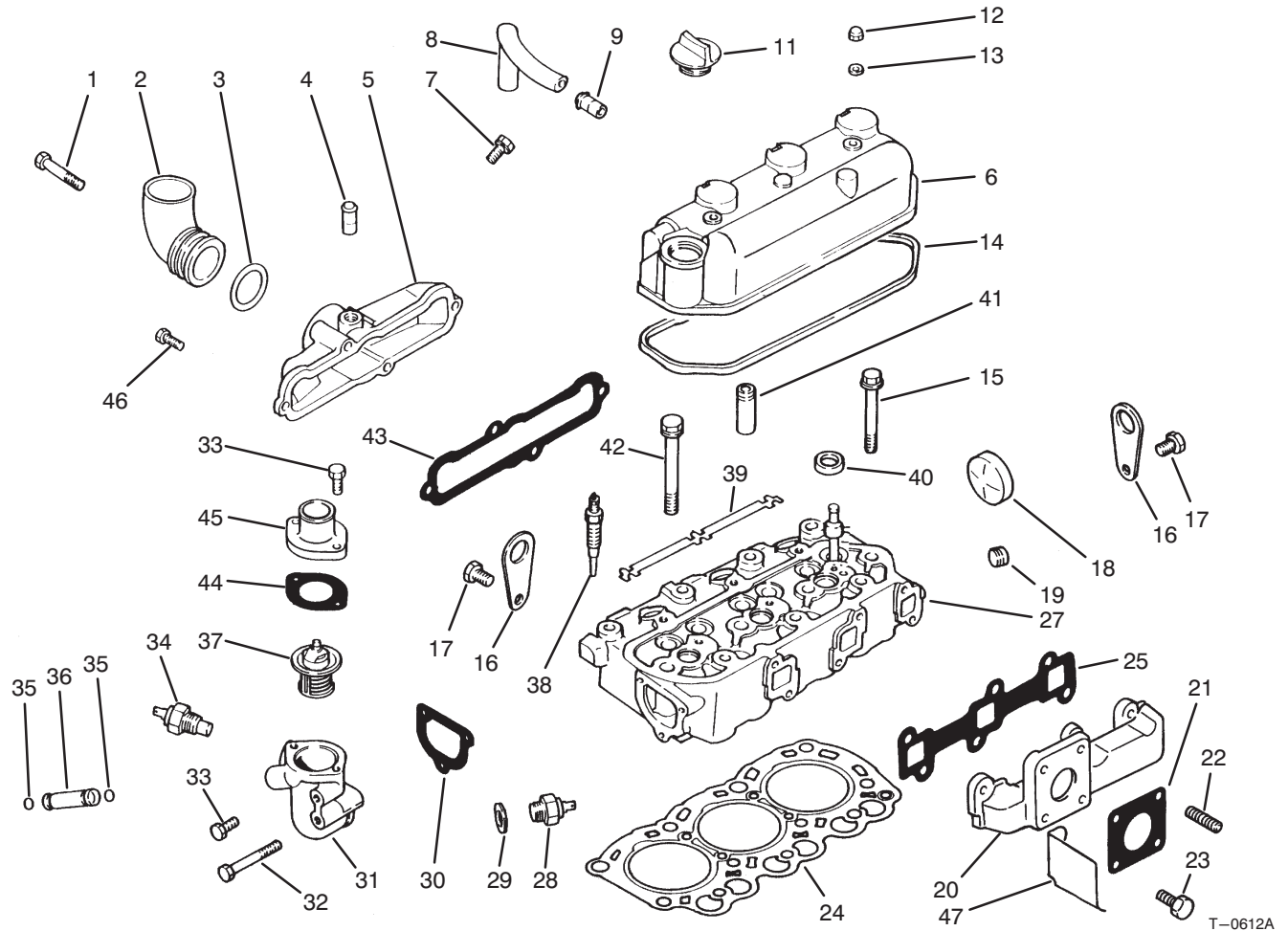
T-0610

CAMSHAFT ASSEMBLY

Ref. No.	Part No.	Description	No. Used
1	70-8650	Block - Sub-Assembly (Incl. Ref. #2, 5-6 & 21)	1
2	42-7080	Cap	2
3	67-2400	Bearing Set - Std.	1
*	67-2410	Bearing Set - 0.25	1
*	67-2420	Bearing Set - 0.50	1
4	67-2200	Seal	4
5	67-2250	Bolt	8
6		Cap Assembly	1
7	67-3010	Camshaft	1
8	56-0480	Key - Woodruff	1
9	67-3030	Bearing	2

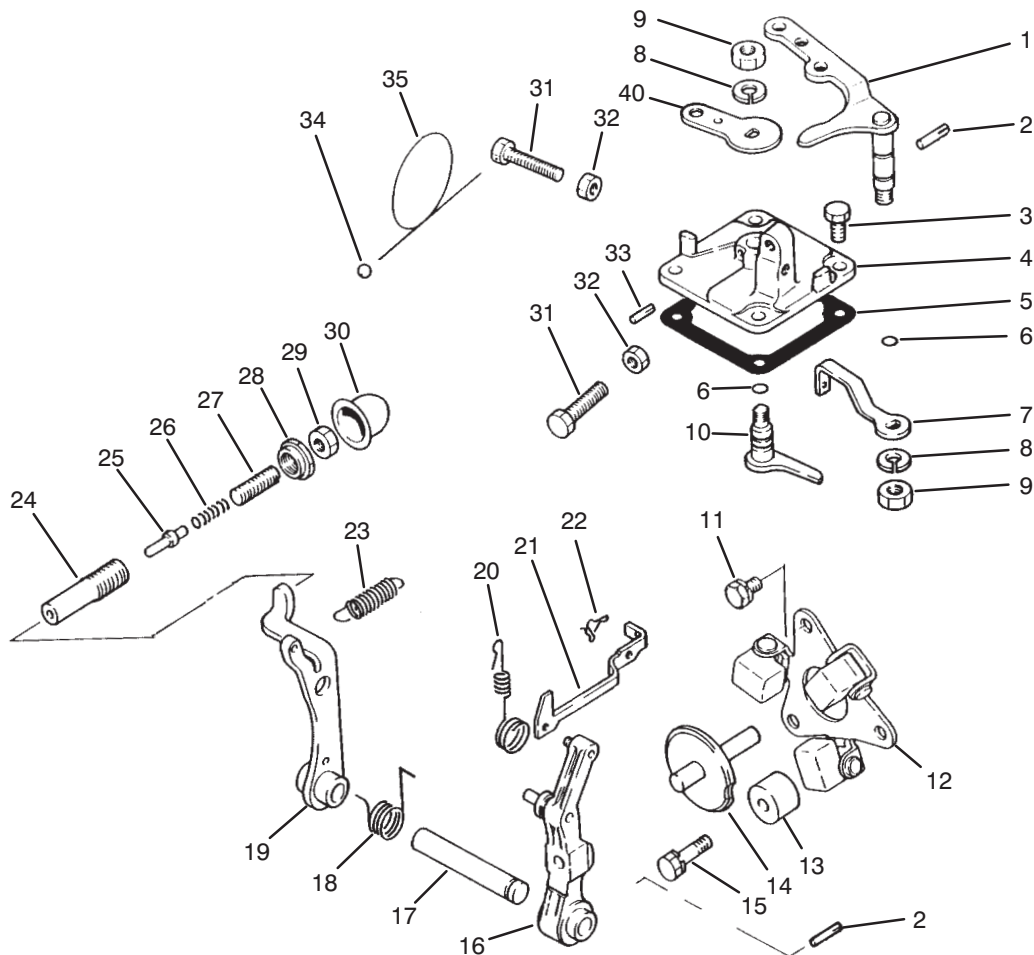
Ref. No.	Part No.	Description	No. Used
10	67-3000	Washer	2
11	42-9490	Bolt & Washer	2
12	67-3020	Gear	1
13	67-3090	Gear Assembly	1
14	67-3040	Plate	1
15	56-1060	Ring - Snap	1
16	67-3070	Gear	1
17	42-7840	Key	1
18	67-3060	Shaft	1
19	67-3050	Bearing	1
20	67-3080	Ring - Snap	1
21	56-0020	Plug	2

*Not Illustrated



CYLINDER HEAD ASSEMBLY

Ref. No.	Part No.	Description	No. Used	Ref. No.	Part No.	Description	No. Used
1	67-4400	Bolt	2	24	70-8670	Gasket - Head, Cylinder	1
2	67-4520	Pipe	1	25	67-4570	Gasket - Manifold, Exhaust	1
3	67-4540	O-Ring	1	27	70-8660	Cylinder Head Assembly (Incl. Ref. #18, & 40-41)	1
4	42-7510	Pipe	1	28	67-4500	Switch - Thermal	1
5	67-4530	Cover - Intake (Incl. Ref. #4)	1	29	67-4490	Gasket	1
6	92-0846	Cover Assembly (Incl. Ref. #9)	1	30	67-4460	Gasket - Fitting, Thermostat	1
7	42-9430	Bolt & Washer	1	31	67-4450	Fitting - Thermostat	1
8	67-2670	Hose - Breather	1	32	67-4470	Bolt	1
9	42-7510	Pipe	1	33	67-2330	Bolt	4
11	92-0847	Oil Filler Cap Assembly	1	34	67-4510	Nut - Gauge, Temp.	1
12	67-2770	Nut - Cap	2	35	43-2710	O-Ring	2
13	67-2780	Washer	2	36	67-4480	Pipe - By-Pass	1
14	67-2760	Gasket	1	37	67-5050	Thermostat	1
15	67-2140	Bolt - Flange	3	38	92-2539	Plug - Glow	3
16	67-2680	Hanger - Engine	2	39	67-4690	Plate - Plug, Glow	1
17	67-2340	Bolt & Washer	2	40	67-2710	Cap - Sealing	3
18	56-0020	Plug - Expansion	1	41	67-2700	Guide - Valve	6
19	67-2570	Plug - Taper	1	42	67-2730	Bolt	8
20	70-8750	Manifold - Exhaust	1	43	67-4550	Gasket - Manifold, Intake	1
21	42-9110	Gasket	1	44	67-4430	Gasket - Outlet, Water	1
22	42-9570	Stud	4	45	67-4420	Fitting - Outlet, Water	1
23	67-4590	Bolt	6	46	67-2330	Bolt	2
				47	72-6140	Shield - Heat, Alternator	1



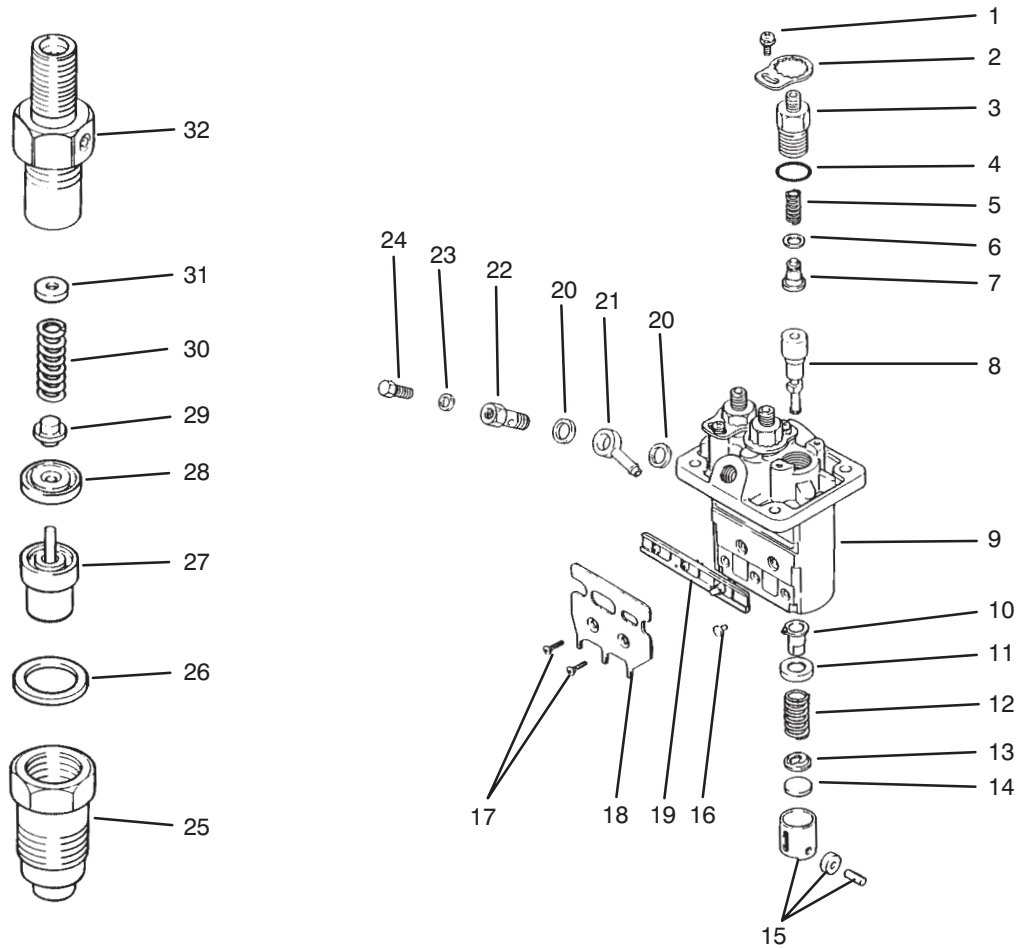
T-0615

GOVERNOR ASSEMBLY

Ref. No.	Part No.	Description	No. Used
1	67-3990	Speed Control Lever Assy.	1
2	67-4000	Pin	2
3	67-4270	Bolt	4
4	67-4130	Cover - Governor	1
5	67-4160	Gasket	1
6	42-8830	O-Ring	2
7	67-4020	Lever - Spring, Governor	1
8	67-3260	Washer	2
9	42-9640	Nut - Jam	2
10	67-4140	Lever - Stop Assembly	1
11	42-9430	Bolt & Washer	2
12	67-4040	Weight Assembly	1
13	67-4010	Stopper	1
14	67-4070	Sliding Shaft Assembly	1
15	67-4280	Bolt & Washer	1
16	67-4060	Governor Lever Assembly	1
17	67-4050	Shaft	1
18	67-5040	Spring	1
19	67-4090	Tension Lever Assembly	1
20	70-8720	Spring - Tie Rod	1
21	67-4030	Rod - Tie	1

Ref. No.	Part No.	Description	No. Used
22	67-4080	Clip	1
23	67-4260	Spring	1
24	67-4210	Case - Torque Spring	1
25	67-4230	Stopper	1
26	67-4190	Spring - Torque	1
27	67-4220	Screw - Adjusting	1
28	67-4200	Nut - Special	1
29	67-4180	Nut	1
30	67-4240	Cap	2
31	42-9420	Bolt	2
32	67-4290	Nut	2
33	67-4120	Pin	1
34	42-8690	Metal - Sealing	1
35	42-8700	Wire	1
36	67-4150	Lever - Stop	1
*	67-4110	Cover Assembly (Incl. Ref. #4, 6, 8-10, 33 & 36)	1
*	67-4170	Spring Set (Incl. Ref. #24-29)	1

*Not Illustrated



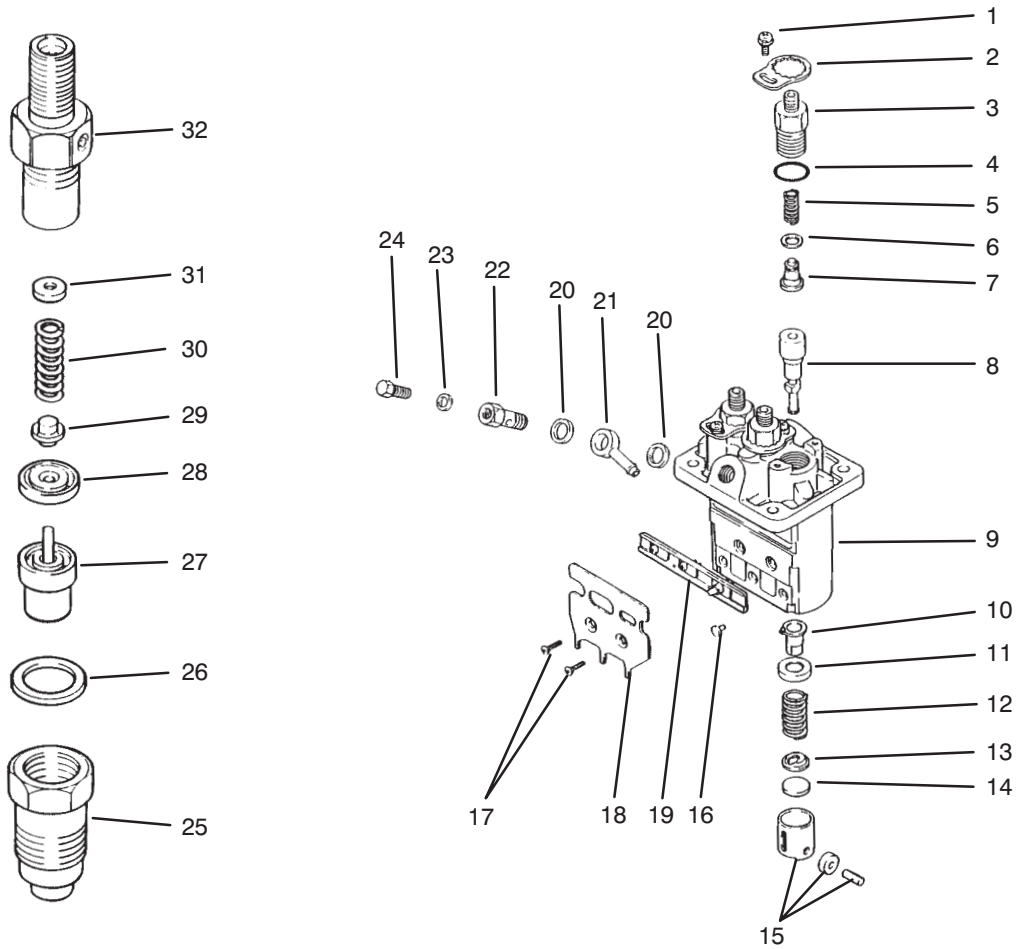
T-0570

FUEL INJECTION PUMP ASSEMBLY

Ref. No.	Part No.	Description	No. Used
1	67-3770	Screw & Washer	3
2	67-3760	Plate - Lock	3
3	67-3470	Holder - Delivery Valve	3
4	67-3480	O-Ring	3
5	67-3490	Spring	3
6	42-8240	Gasket	3
7	67-3500	Valve	3
8	70-8710	Element	3
9	67-3460	Housing - Pump	1
10	67-3520	Sleeve	3
11	67-3530	Seat	3
12	67-3540	Spring	3
13	67-3550	Seat	3
14	67-3560	Plate - Shim 1.85	1
*	67-3570	Plate - Shim 1.9	1
*	67-3580	Plate - Shim 1.95	1
*	67-3590	Plate - Shim 2.0	1
*	67-3600	Plate - Shim 2.05	1
*	67-3610	Plate - Shim 2.1	1
*	67-3620	Plate - Shim 2.15	1
*	67-3630	Plate - Shim 2.2	1
*	67-3640	Plate - Shim 2.25	1
*	67-3650	Plate - Shim 2.3	1
*	67-3660	Plate - Shim 2.35	1
*	67-3670	Plate - Shim 2.4	1
*	67-3680	Plate - Shim 2.45	1
*	67-3690	Plate - Shim 2.5	1

Ref. No.	Part No.	Description	No. Used
15	67-3700	Tappet Assembly	3
16	67-3810	Pin	3
17	67-3790	Screw	2
18	67-3800	Bracket	1
19	67-3780	Rack Assembly	1
20	67-3750	Washer	2
21	67-3740	Nipple	1
22	67-3730	Screw	1
23	67-3720	Washer	1
24	67-3710	Screw - Bleed, Air	1
25	67-3970	Nut	3
26	67-3980	Gasket	3
27	67-3960	Nozzle Assembly	3
28	67-3950	Piece	3
29	67-3940	Pin	3
30	67-3930	Spring	3
31	67-3830	Washer - 1.25	1
*	67-3840	Washer - 1.3	1
*	67-3850	Washer - 1.35	1
*	67-3860	Washer - 1.4	1
*	67-3870	Washer - 1.45	1
*	67-3880	Washer - 1.5	1
*	67-3890	Washer - 1.55	1
*	67-3900	Washer - 1.6	1
*	67-3910	Washer - 1.65	1
*	67-3920	Washer - 1.7	1

*Not Illustrated



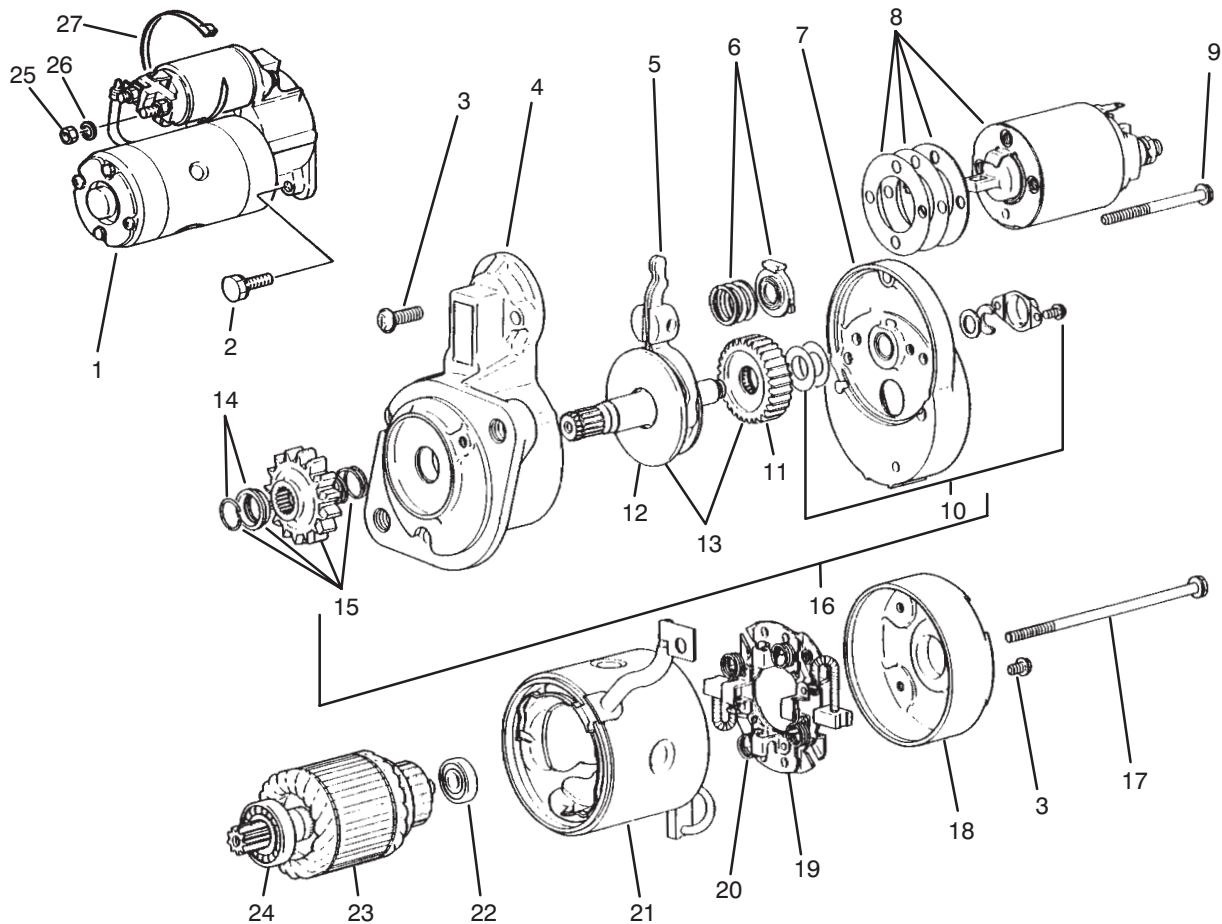
T-0570

FUEL INJECTION PUMP ASSEMBLY (Continued)

Ref. No.	Part No.	Description	No. Used
32	67-3820	Body	3
*	70-8690	Pump Assembly (Incl. Ref. #1-24)	1

Ref. No.	Part No.	Description	No. Used
*	67-3380	Nozzle & Holder Assembly (Incl. Ref. #25-32)	3

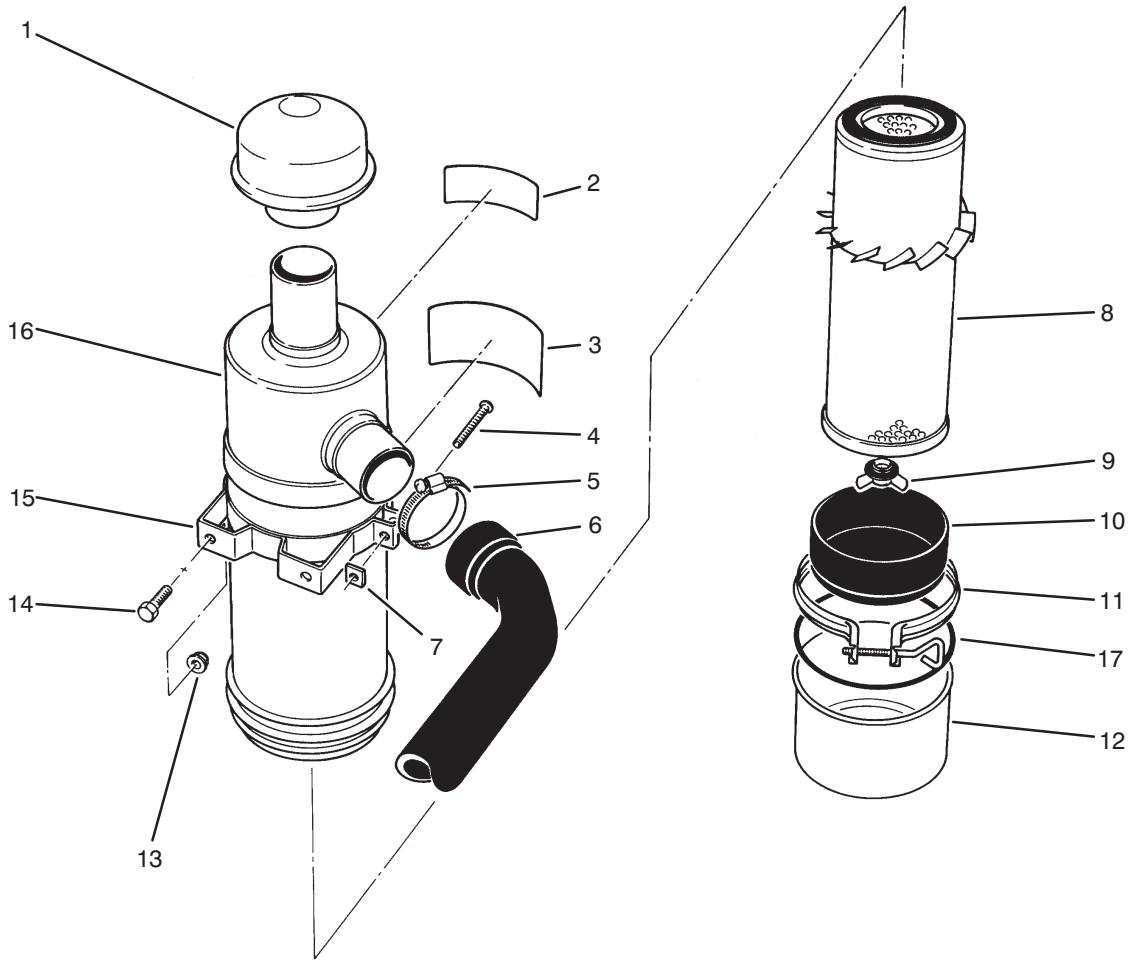
*Not Illustrated



T-0616

STARTER ASSEMBLY

Ref. No.	Part No.	Description	No. Used	Ref. No.	Part No.	Description	No. Used
1	70-8760	Starter Assembly (Incl. Ref. #3-24)	1	16	67-4760	Shaft Assembly (Incl. Ref. #10, 13 & 15)	1
2	67-4610	Bolt & Washer	2	17	56-1610	Bolt	1
3	56-1510	Screw - Set	1	18	56-1720	Rear Bracket Assembly	1
4	70-8770	Front Basket Assembly	1	19	56-1700	Brush Holder Assembly (Incl. Ref. #20)	1
5	67-4720	Lever Assembly	1	20	56-1710	Spring - Brush	4
6	67-4730	Spring Set	1	21	67-4800	Yoke Assembly	1
7	70-8780	Center Bracket Assembly	1	22	56-1600	Bearing - Rear	1
8	67-4750	Switch Assembly	1	23	56-1580	Armature Set (Incl. Ref. #22 & 24)	1
9	52-1570	Bolt Set	1	24	56-1590	Bearing - Front	1
10	56-1680	Cover Set	1	25	57-6390	Nut - Hex.	2
11	56-1670	Gear	1	26	42-9850	Washer - Lock	2
12	67-4790	Shaft Assembly	1	27	3290-379	Tie - Cable	2
13	67-4780	Gear Set (Incl. Ref. #11 & 12)	1				
14	56-1640	Stopper Set	1				
15	67-4770	Pinion Set (Incl. Ref. #14)	1				

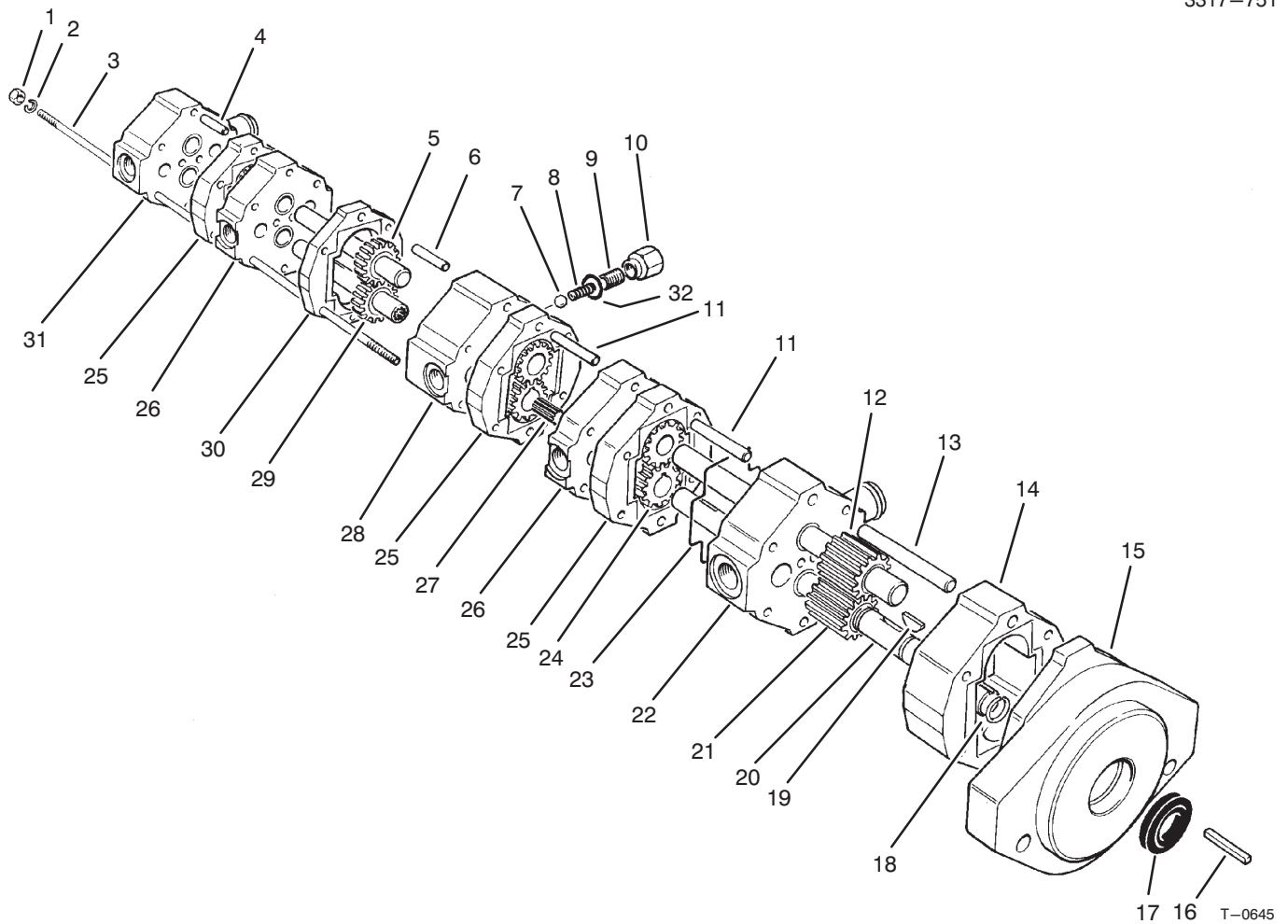


T-0636

AIR CLEANER ASSEMBLY

Ref. No.	Part No.	Description	No. Used
1	27-7180	Cap - Inlet, Air Cleaner	1
2	67-1700	Decal - Fluid, Starting	1
3	27-7160	Decal - Instructions	1
4	3258-19	Screw - Round Head	2
5	2412-42	Clamp - Hose	2
6	68-5900	Hose - Cleaner, Air	1
7	32107-11	Nut	2
8	27-7110	Element - Cleaner, Air	1
9	27-7120	Nut & Gasket Assembly	1
10	27-7140	Skirt - Baffle	1

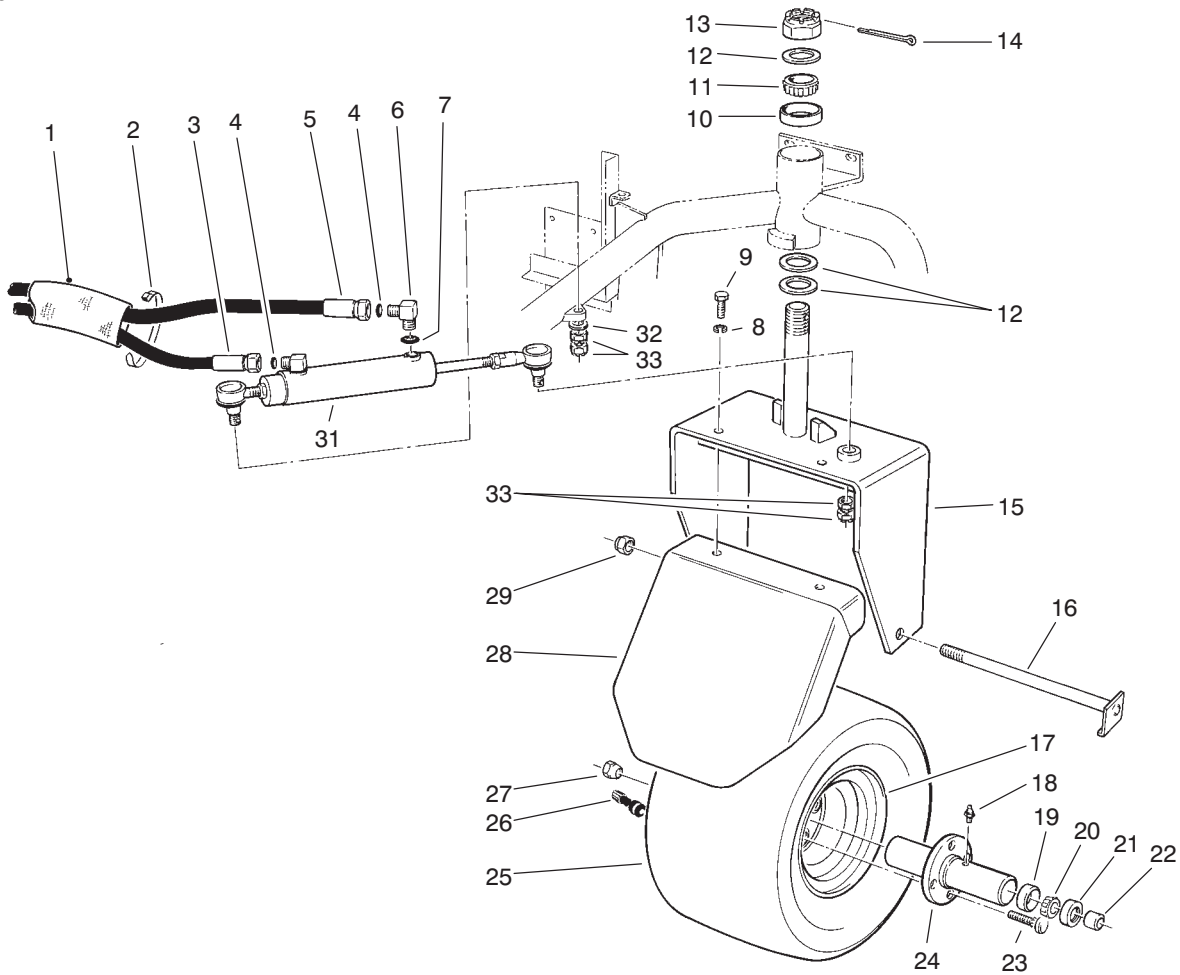
Ref. No.	Part No.	Description	No. Used
11	27-7130	Clamp Assembly	2
12	27-7150	Cap Assembly	1
13	32128-20	Nut - Lock, Flange	4
14	322-2	Screw - Cap, Hex. Hd.	4
15	27-7170	Band Assembly (Incl. Ref. #4 & 7)	2
16	27-7100	Air Cleaner Assembly (Incl. Ref. #3 & 8-12)	1
17	80-3330	Gasket	1



HYDRAULIC PUMP 68-4940

Ref. No.	Part No.	Description	No. Used
1	3217-6	Nut - Lock	4
2	354-16	Washer - Lock	4
3	354-17	Stud - Threaded	4
4	354-11	Pin - Dowel	2
5	354-9	Idler Shaft - Gear Assy.	1
6	354-12	Pin - Dowel	2
7		Ball - Valve	1
8		Spring - Compression	1
9		Adjuster - Valve	1
10		Cap - Adjuster, Valve	1
11	354-13	Pin - Dowel	4
12	354-10	Idler Shaft - Gear Assy.	1
13	354-14	Pin - Dowel	2
14	353-971	Plate - Gear 66B	1
15	354-2	Body Assembly	1
16	5-0946	Key - Square	1
17	354-15	Seal - Shaft	1

Ref. No.	Part No.	Description	No. Used
18	353-886	Ring - Retaining	2
19	353-884	Key - Woodruff	4
20	354-1	Shaft - Drive	1
21	353-964	Gear - 66B	1
22	354-3	Bearing Plate Assembly	1
23	353-922	Seal - Ring	10
24	353-967	Gear - 33B	6
25	353-969	Plate - Gear 33B	3
26	353-923	Bearing Plate Assembly	2
27	354-5	Adapter - Splined	1
28	354-4	Bearing Plate Assembly (Incl. Ref. #7-10 & 32)	1
29	354-8	Drive Shaft - Gear Assy.	1
30	354-6	Plate - Gear 18B	1
31	354-7	Cover Assembly	1
32	354-35	Gasket	1

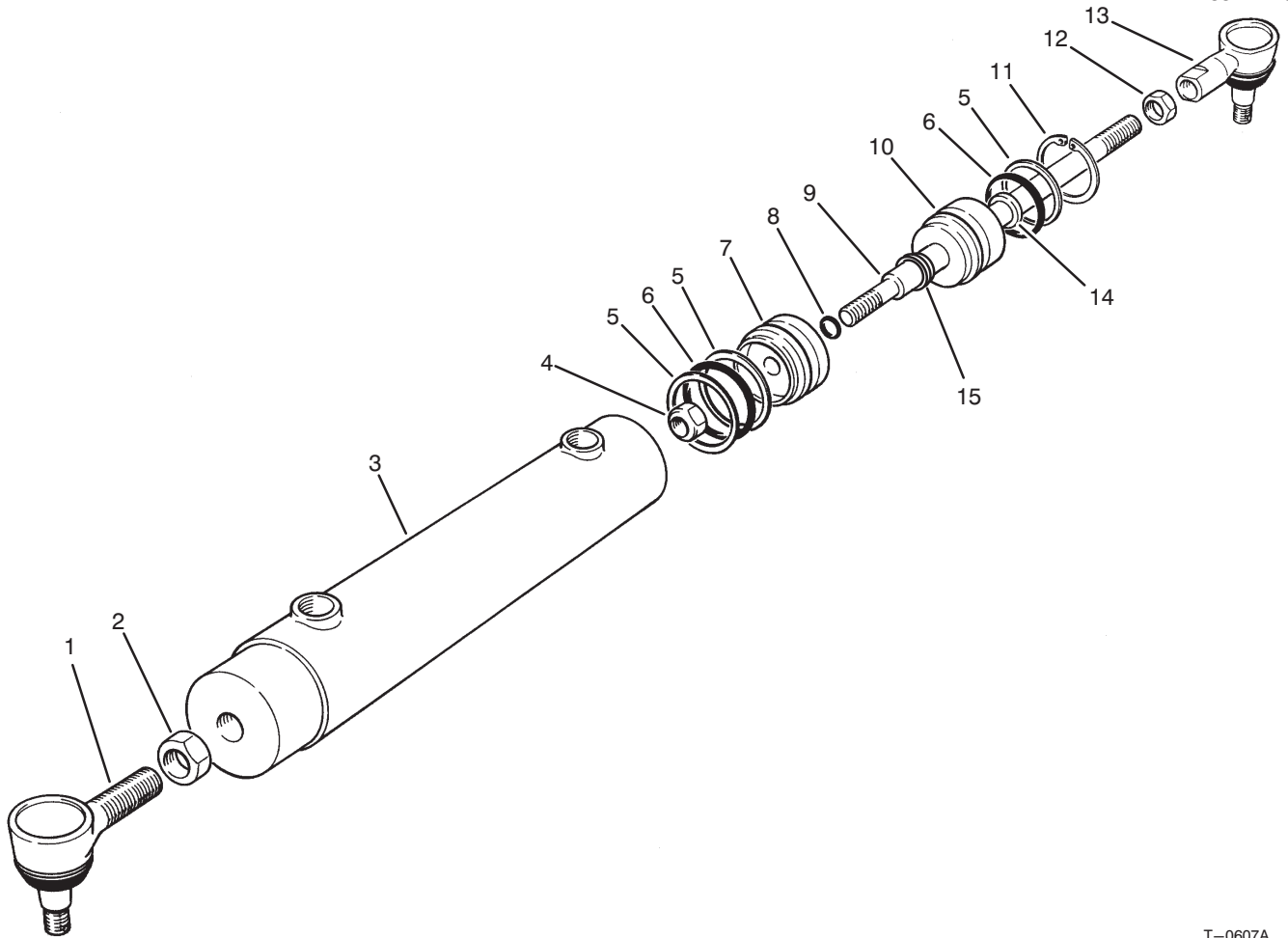


T-0638

REAR WHEEL ASSEMBLY

Ref. No.	Part No.	Description	No. Used
1	56-7983	Sleeve - Protective	1
2	3290-378	Tie - Cable	2
3	68-5750	Hose - Steering, Cyl. Base	1
4	237-35	O-Ring	2
5	68-5760	Hose - Steering, Cyl. Rod	1
6	340-132	Fitting - Hydraulic (Incl. Ref. #4 & 7)	2
7	237-78	O-Ring	2
8	3253-4	Washer - Lock	2
9	322-3	Screw - Cap, Hex. Hd.	2
10	254-61	Cup - Bearing	2
11	254-70	Cone - Bearing	2
12	18-6320	Washer - Thrust	3
13	32136-9	Nut - Castle	1
14	3272-37	Pin - Cotter	1
15	70-8330	Fork - Caster	1
16	70-8370	Bolt - Wheel, Castor	1

Ref. No.	Part No.	Description	No. Used
17	242-86	Rim	1
18	302-5	Fitting - Grease	1
19	254-79	Cup - Bearing	2
20	254-78	Cone - Bearing	2
21	253-111	Seal - Bearing	2
22	70-8490	Spacer	2
23	10-6830	Stud - Drive	4
24	75-9440	Hub Assembly (Incl. Ref. #18, 19 & 23)	1
25	70-8500	Tire	1
26	232-24	Stem - Valve	1
27	242-50	Nut - Lock	4
28	70-8400	Fender - Rear	1
29	3296-67	Nut - Lock	1
31	68-4770	Cylinder - Steering, Hyd.	1
32	3256-24	Washer - Flat	1
33	3220-3	Nut - Jam	4

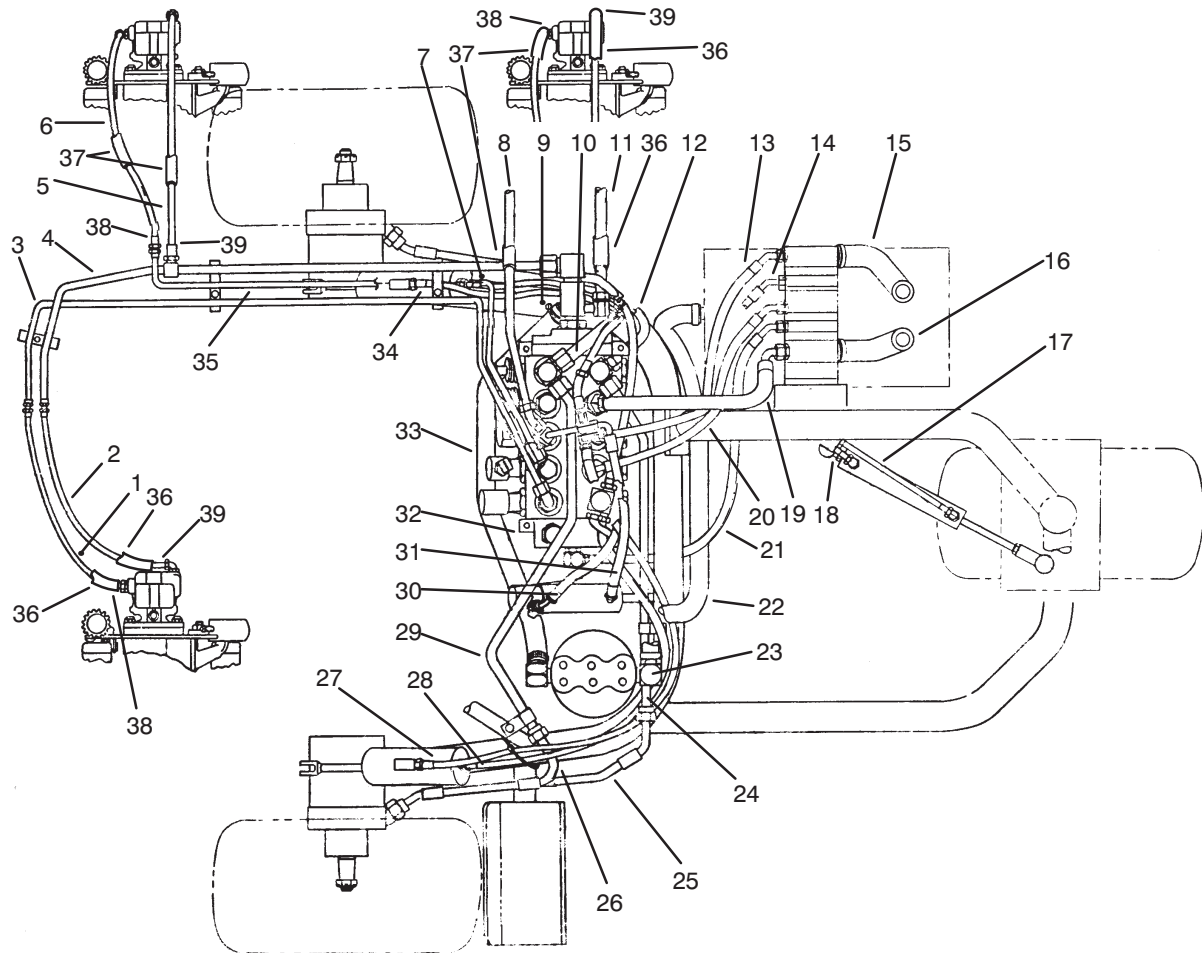


T-0607A

HYDRAULIC STEERING CYLINDER

Ref. No.	Part No.	Description	No. Used
1	21-0140	Joint - Ball	1
2	3219-5	Nut - Jam	1
3	68-4820	Barrel	1
4	32152-7	Nut - Lock	1
5		Washer - Backup	3
6		O-Ring	2
7	68-4790	Piston - Cylinder	1
8		O-Ring	1
9	68-4800	Shaft - Cylinder	1
10	68-4780	Head - Cylinder	1

Ref. No.	Part No.	Description	No. Used
11	68-4810	Ring - Retaining	1
12	3218-5	Nut - Jam	1
13	68-5150	Joint - Ball	1
14		Seal - Dust	1
15		Seal - Rod	1
*	92-8851	Cylinder Repair Kit (Incl. Ref. #5-6, 8, 14 & 15)	1
*	68-4770	Hydraulic Steering Cylinder (Incl. Ref. #3-11 & 14-15)	1

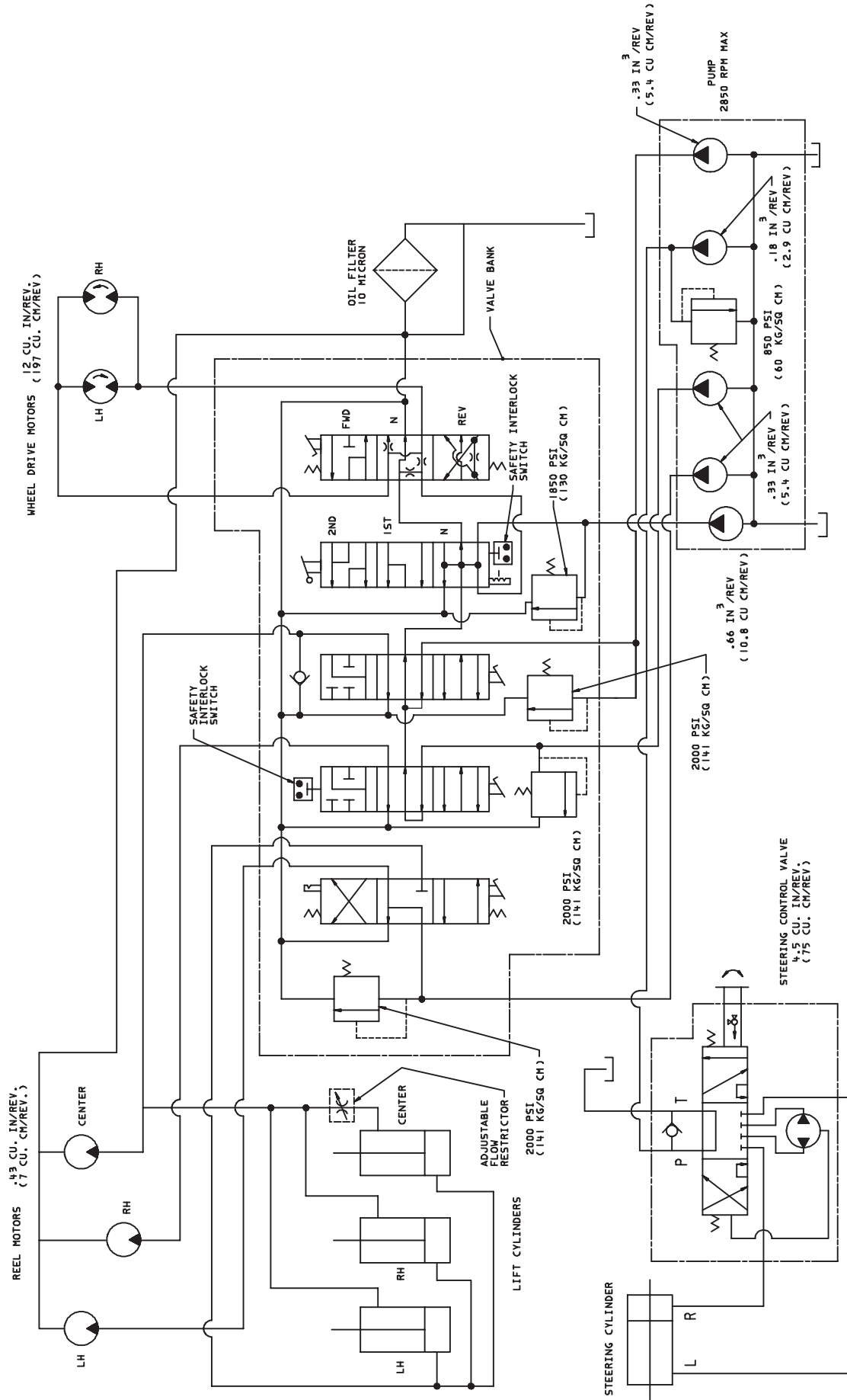


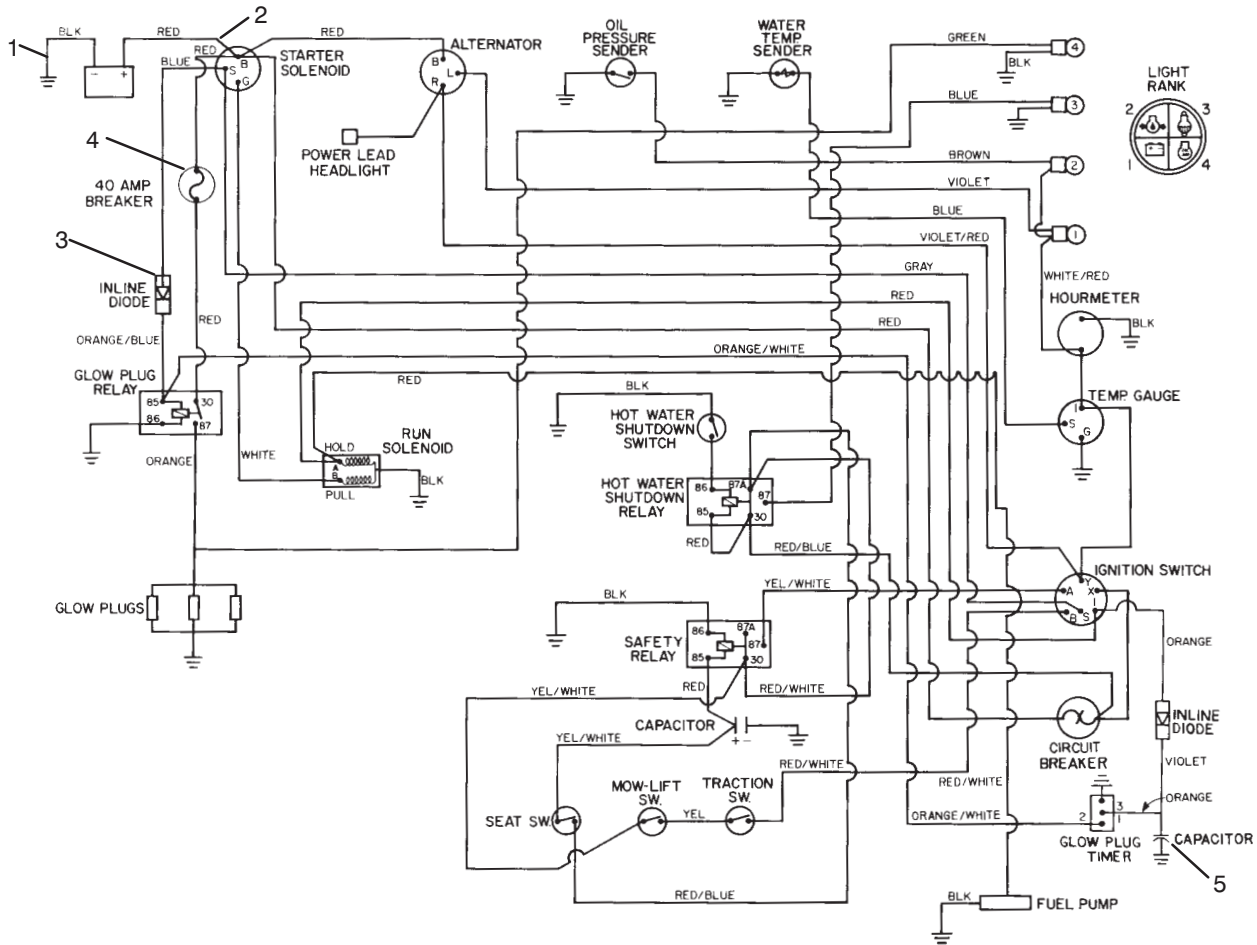
T-2170

HYDRAULIC SYSTEM ASSEMBLY

Ref. No.	Part No.	Description	No. Used	Ref. No.	Part No.	Description	No. Used
1	63-3870	Hose - Pressure, LH (Incl. Ref. #36 & 38)	1	18	68-5750	Hose - Steering, Cyl. Base	1
2	63-3830	Hose - Return, LH (Incl. Ref. #36 & 39)	1	19	68-5810	Hose - Pump	1
3	63-4020	Tube - Pressure, LH	1	20	68-5770	Hose - Pump	1
4	63-4040	Tube - Return	1	21	68-5710	Hose - Pump	1
5	63-3820	Hose - Return, RH (Incl. Ref. #37 & 39)	1	22	68-5890	Hose - Return, Filter	1
6	63-3810	Hose - Pressure, RH (Incl. Ref. #37 & 38)	1	23	353-564	Fitting 90°	2
7	63-3880	Hose - Cyl. Lift, RH & Rear	1	24	83-1200	Tube - Hydraulic	1
8	74-3830	Hose - Pressure, Rear (Incl. Ref. #37 & 39)	1	25	70-7150	Hose - Hyd. Lower, LH	1
9	2412-3	Clamp - Hose	12	26	70-8610	Hose - Hyd. Upper, LH	1
10	70-8600	Hose - Hyd. Upper, RH	1	27	63-3850	Hose - Cylinder, Drop LH	1
11	63-3840	Hose - Return, Rear (Incl. Ref. #36 & 39)	1	28	63-3890	Hose - Cylinder, Lift LH	1
12	83-2460	Hose	1	29	70-7130	Tube - Traction, LH Upper	1
13	68-5850	Hose - Pump	1	30	84-8260	Hose - Cylinder, Lift Rear	1
14	68-5840	Hose - Pump, Steering	1	31	68-5830	Hose - Cylinder, Drop Rear	1
15	68-5870	Hose - Pump, Inlet RH	1	32	84-2203	Control Valve Assembly	1
16	68-5860	Hose - Pump, Inlet LH	1	33	68-5880	Return Line - Manifold/Filter	1
17	68-5760	Hose - Steering, Cyl. Rod	1	34	63-3950	Hose - Cylinder, Drop RH	1
				35	63-4030	Tube - Pressure RH	1
				36	56-7981	Sleeve - Protective	3
				37	56-7980	Sleeve - Protective	3
				38	93-9346	Clamp - Hose, Pressure	6
				39	93-9347	Clamp - Hose, Return	6

HYDRAULIC SCHEMATIC





T-0819A

ELECTRICAL SCHEMATIC

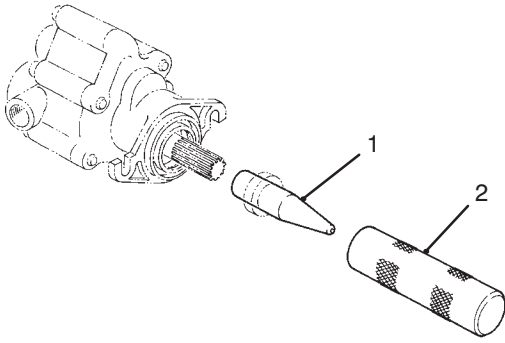
Ref. No.	Part No.	Description	No. Used
1	92-1190	Cable - Battery, Negative	1
2	92-1191	Cable - Battery, Positive	1
3	86-7470	Diode - Inline	2
4	70-8570	Breaker - Circuit	1

Ref. No.	Part No.	Description	No. Used
5	92-3057	Capacitor Assembly	1
*	92-2360	Wire Harness Assembly (Incl. Ref. #3 & 4)	1

*Not Illustrated

SPECIAL TOOLS

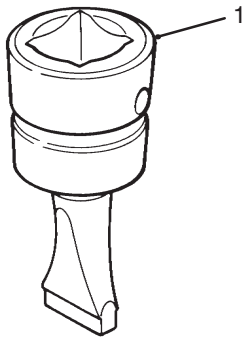
REEL MOTOR SEAL INSTALLATION TOOLS



T-0727

Ref. No.	Part No.	Description	No. Used
1	TOR491430	Protector – Seal	1
2	TOR491450	Installer – Seal	1

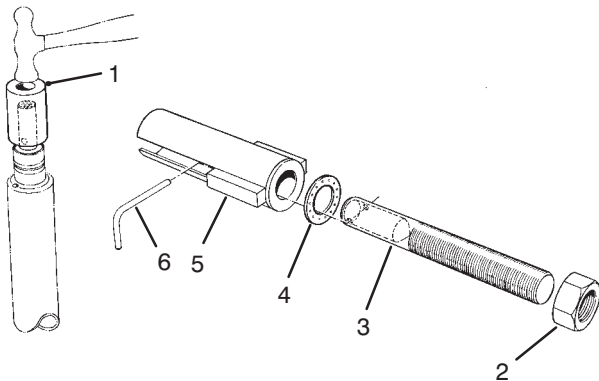
BED KNIFE SCREW TOOL NO. TOR510880



T-0729

Ref. No.	Part No.	Description	No. Used
1		Tool – Bed Knife Screw	1

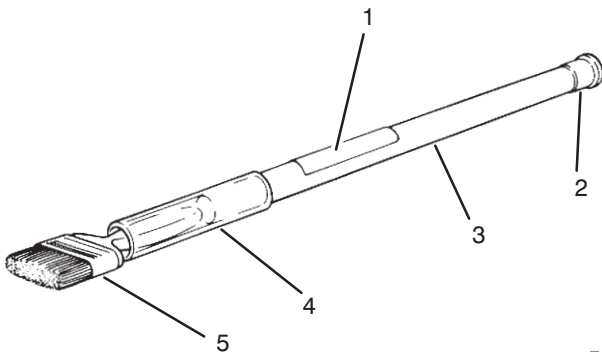
BEARING REPLACEMENT TOOL KIT NO. TOR238900



T-0730

Ref. No.	Part No.	Description	No. Used
1	23-8880	Driver – Bearing	2
2	3219-18	Nut – Hex.	1
3	23-8840	Puller – Bolt	1
4	22-6090	Washer – Thrust	1
5	23-8850	Tube – Support	1
6	23-8860	Pin – Bearing Rplcmnt.	1

BACKLAPPING BRUSH ASSEMBLY NO. 29-9100



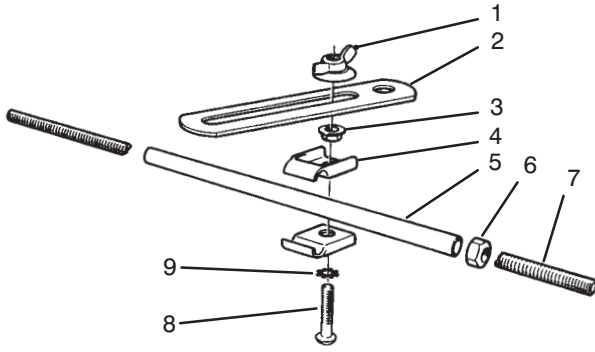
T-0731

Ref. No.	Part No.	Description	No. Used
1	12-9140	Decal	1
2	2410-18	Plug	1
3	29-9080	Handle	1
4	29-9090	Hose – Handle	1
5	36-4310	Brush	1

Note: Special tools may be ordered from: Owatonna Tool Company 2013 4th St. NW Owatonna, MN 55060

SPECIAL TOOLS (Continued)

ALIGNMENT TOOL NO. TOR200120



T-0732

Ref. No.	Part No.	Description	No. Used
1	3-4808	Nut – Wing	1
2	20-0110	Bracket – Alignment	1
3	32128-20	Nut – Lock, Flange	1
4	3-6657	Clip – Skid	2
5	20-0070	Tube	1
6	3219-2	Nut – Hex.	1
7	20-0080	Rod	1
8	32122-35	Screw – Truss Head	1
9	3255-8	Washer – Lock, Int. Tooth	1

**Note: Special tools may be ordered from: Owatonna Tool Company
2013 4th St. NW
Owatonna, MN 55060**

TORO PART NUMBER INDEX

3317-751

Part No.	Description	Pg. No.	Ref. No.	Qty.	Part No.	Description	Pg. No.	Ref. No.	Qty.
3-0348	Bushing - Sleeve	5	30	6	27-7180	Cap - Inlet, Air Cleaner	38	1	1
3-0348	Bushing - Sleeve	8	31	6	28-3680	Tire	5	2	2
3-0348	Bushing - Sleeve	2	35	6	29-9080	Handle	45	3	1
3-1506	Bushing - Flange	2	71	12	29-9090	Hose - Handle	45	4	1
3-4808	Nut - Wing	46	1	1	31-0390	Washer - Friction	11	48	4
3-6657	Clip - Skid	46	4	2	36-4310	Brush	45	5	1
3-6685	Spring - Compression	22	38	1	37-2690	Capacitor	22	35	1
5-0946	Key - Square	39	16	1	38-0410	Nut - Hex.	19	53	1
5-1226	Washer - Shim	2	37	2	38-0410	Nut - Hex.	21	59	1
5-1226	Washer - Shim	6	57	2	39-9600	Clamp - Mounting	14	22	1
5-1228	Washer - Shim	9	75	2	42-2680	Race R. Detent	18	46	1
5-3637	Washer - Flat	28	27	1	42-7080	Cap	32	2	2
8-7710	Ball Joint Receiver Assy.	2	68	6	42-7190	Bushing	30	33	1
10-6060	Pin - Cylinder, Pivot	1	27	2	42-7210	Plug	29	16	1
10-6090	Pin - Pivot	8	37	1	42-7290	Gasket - Drain, Oil	29	13	2
10-6090	Pin - Pivot	5	41	1	42-7510	Pipe	33	4	1
10-6090	Pin - Pivot	2	60	1	42-7510	Pipe	33	9	1
10-6110	Pin - Hinge	1	32	2	42-7840	Key	32	17	1
10-6820	Brake Drum Assembly	6	55	2	42-7860	Lock	31	31	12
10-6830	Stud - Drive	40	23	4	42-7870	Seal	31	28	6
10-6870	Hub - Wheel	5	5	2	42-8240	Gasket	35	6	3
10-7820	Pivot Hinge Assembly	2	34	1	42-8690	Metal - Sealing	34	34	1
10-7820	Pivot Hinge Assembly	5	34	1	42-8700	Wire	34	35	1
10-7820	Pivot Hinge Assembly	8	34	1	42-8830	O-Ring	34	6	2
10-7850	Latch - Brake, Parking	2	83	1	42-9110	Gasket	33	21	1
10-7880	Hinge - Upper, Park Brake	2	84	1	42-9110	Gasket - Muffler	25	22	1
10-7890	Hinge - Lower, Park Brake	2	81	1	42-9260	Plug	29	12	1
10-8100	Strap - Shaft, Brake	2	55	2	42-9420	Bolt	34	31	2
10-8110	Washer - Thrust	5	29	6	42-9430	Bolt & Washer	33	7	1
10-8110	Washer - Thrust	8	35	6	42-9430	Bolt & Washer	34	11	2
10-8110	Washer - Thrust	2	36	6	42-9440	Bolt & Washer	29	6	11
10-8140	Spring - Latch, Brake	2	82	1	42-9440	Bolt & Washer	28	24	1
10-8220	Pad - Tool Box	5	23	1	42-9440	Bolt & Washer	31	25	4
11-0160	Screw Assy. - Shaft, Roller	2	78	6	42-9490	Bolt & Washer	27	11	4
12-3270	Screw - Hex. Flange Hd.	8	17	2	42-9490	Bolt & Washer	32	11	2
12-3270	Screw - Thread Forming	11	9	6	42-9490	Bolt & Washer	29	15	18
12-3270	Screw - Washer Hd.	25	47	1	42-9510	Bolt	31	39	1
12-9140	Decal	45	1	1	42-9570	Stud	33	22	4
17-9420	Screw - Stop, Accelerator	9	64	1	42-9590	Nut	31	17	6
18-6320	Washer - Thrust	40	12	3	42-9640	Nut - Jam	34	9	2
20-0070	Tube	46	5	1	42-9650	Nut - Jam	30	30	1
20-0080	Rod	46	7	1	42-9660	Washer	28	4	1
20-0110	Bracket - Alignment	46	2	1	42-9660	Washer	31	36	3
21-0140	Joint - Ball	41	1	1	42-9850	Washer - Lock	25	23	4
21-8470	Shaft - Yoke, Roller	2	72	3	42-9850	Washer - Lock	37	26	2
22-6090	Washer - Thrust	45	4	1	43-0370	Shim	28	5	1
23-8840	Puller - Bolt	45	3	1	43-0510	Spring - Brush	28	14	2
23-8850	Tube - Support	45	5	1	43-1920	Nut - Special	28	17	1
23-8860	Pin - Bearing Rplcmnt.	45	6	1	43-2550	Filter	30	18	1
23-8880	Driver - Bearing	45	1	2	43-2560	Gasket	30	19	1
26-3790	Nut - Lock	5	4	2	43-2570	Gasket	30	17	1
27-1960	Hub	25	48	1	43-2580	Magnet	30	20	1
27-1970	Hub	26	50	1	43-2710	O-Ring	33	35	2
27-2270	Rod - Adjustment, Brake	2	54	2	43-2740	Gasket - Solenoid	25	21	1
27-2320	Bearing - Side Flange	8	12	2	43-2750	Nut - Jam	25	19	1
27-2320	Bearing - Side Flange	3	96	2	43-5220	Ring - Retaining	10	10	1
27-2360	Switch - Key	14	21	1	43-5230	Shaft/Clevis	10	11	1
27-2380	Spacer - Mount, Filter	15	20	1	43-5920	Washer - Lock	28	28	1
27-2400	Strap - Reservoir	15	28	2	43-5970	Nut - Hex.	28	29	1
27-2420	Felt - Angle	15	42	2	43-8600	Spring - Compression	22	43	1
27-2540	Spacer - Hub	9	76	1	43-8610	Guide - Spring & Ball Seat	22	42	1
27-2550	Pin - Hinge	9	57	1	43-8620	Guide - Pin, Switch	22	45	1
27-2830	Decal - Brake, Parking	3	87	1	43-8860	Plunger - Switch	22	44	1
27-3030	Felt - Strap	16	78	2	43-8870	Boot - Switch	22	48	1
27-6600	Spacer	25	49	4	43-9071	Switch Assembly	23	*	1
27-7100	Air Cleaner Assembly	38	16	1	44-0870	Camshaft - Rear	8	13	1
27-7110	Element - Cleaner, Air	38	8	1	44-2230	Coupling - Rubber	25	12	1
27-7120	Nut & Gasket Assembly	38	9	1	44-2500	Dye - Hydraulic Oil	16	*	1
27-7130	Clamp Assembly	38	11	2	44-5560	Head - Filter, Hydraulic	16	47	1
27-7140	Skirt - Baffle	38	10	1	47-5320	Lever - Cutting Control	8	10	1
27-7150	Cap Assembly	38	12	1	47-6990	Nut - Lock	11	4	1
27-7160	Decal - Instructions	38	3	1	48-7630	Screw - Cap, Metric	26	70	1
27-7170	Band Assembly	38	15	2	48-7930	Nut	25	24	4

*Not Illustrated

TORO PART NUMBER INDEX (Cont.)

Part No.	Description	Pg. No.	Ref. No.	Qty.	Part No.	Description	Pg. No.	Ref. No.	Qty.
48-8010	Washer - Flat	26	71	1	56-7987	Sleeve - Protective	16	75	1
48-8020	Washer - Lock	26	72	1	57-6140	Clamp - Tube, Side	5	14	4
48-9590	Washer - Lock	25	43	18	57-6220	Link - Connector	16	56	5
49-5410	Box - Tool	5	24	1	57-6390	Nut - Hex.	37	25	2
49-5430	Rod - Control	5	21	1	57-7650	Spring - Torsion	5	36	1
49-5450	Plate - Cover	5	13	1	57-7650	Spring - Torsion	8	40	1
49-5840	Support - Seat	11	40	1	57-7650	Spring - Torsion	2	46	1
49-5880	Shaft - Support, Seat	11	35	1	58-5830	Hose - Hydraulic	8	29	1
49-6110	Guard - Rod, Transfer	3	94	1	58-6530	Decal - Oil	15	30	1
49-6120	Pad - Footrest	1	15	1	59-6730	Race - Bearing	13	8	2
49-6200	Lever - Cutting Control	1	2	1	59-6740	Bearing - Needle Thrust	13	9	1
49-6220	Bracket - Control Arm	8	15	1	59-6830	Centering Pin Kit	13	20	1
49-6250	Bracket - Pivot, Traction	9	55	1	59-9740	Latch Assembly	24	28	2
49-6260	Traction Pivot Tube Assy.	8	16	1	62-2390	Bar - Lift, LH	2	47	1
49-6290	Shaft - Pivot, Traction	8	18	1	62-2420	Bar - Arm, Lift	8	41	1
49-6320	Rod - Control, Traction	8	3	1	62-2420	Bar - RH Arm, Lift	5	37	1
49-6430	Pad - Pedal Reverse	8	8	1	62-2440	Lift Arm Assembly RH	5	31	1
49-6440	Pedal - Accelerator	8	6	1	62-2460	Lift Arm Assembly - LH	2	38	1
49-6470	Pad - Pedal Forward	8	5	1	62-2570	Cap - Breather	15	32	1
51-0010	Decal - Traction	11	41	1	62-2580	Spacer (Optional)	5	*	2
51-0350	Pin - Spring, Seat	22	37	1	62-2610	Screen Assembly	15	35	1
51-0780	Slide - Seat	11	13	1	62-2660	Pad - Step	1	30	1
51-0790	Adjuster - Seat	11	28	1	62-5070	Decal - Danger	6	50	1
52-1570	Bolt Set	37	9	1	62-5070	Decal - Danger	9	60	1
52-1880	Adapter - Fitting, Fuel	22	52	1	62-5070	Decal - Danger	2	61	1
52-1890	Wellnut - Rubber	22	33	1	62-5550	Decal - TORO	11	30	2
52-1990	Piston	4	4	1	63-3810	Hose - Pressure, RH	16	67	1
52-2720	Roller Assembly	2	73	3	63-3810	Hose - Pressure, RH	42	6	1
52-5860	Collar - Spool	20	51	1	63-3820	Hose - Return, RH	16	64	1
52-5880	Ball - Steel	18	47	12	63-3820	Hose - Return, RH	42	5	1
52-5900	Screw - Fillister Hd.	20	37	4	63-3830	Hose - Return, LH	16	65	1
52-9230	Ring - Retaining	13	2	1	63-3830	Hose - Return, LH	42	2	1
52-9260	Screw - Set	13	26	1	63-3840	Hose - Return, Rear	16	70	1
52-9270	Seat - Ball Check	13	24	1	63-3840	Hose - Return, Rear	42	11	1
52-9280	Ball - Check	13	22	1	63-3850	Hose - Cylinder	1	25	1
52-9290	Retainer - Ball Check	13	21	1	63-3850	Hose - Cylinder, Drop LH	42	27	1
53-8150	Pump - Fuel	22	19	1	63-3870	Hose - Pressure, LH	16	66	1
53-8150	Pump Assembly	30	21	1	63-3870	Hose - Pressure, LH	42	1	1
53-9880	Washer	22	51	1	63-3880	Hose - Cyl. Lift, RH & Rear	42	7	1
54-8660	Washer	28	25	1	63-3890	Hose - Cylinder, Lift LH	1	26	1
55-3577	Cap - Fuel	22	9	1	63-3890	Hose - Cylinder, Lift LH	42	28	1
55-8480	Reservoir - Hydraulic	15	29	1	63-3950	Hose - Cylinder, Drop RH	1	19	1
56-0020	Plug	30	12	1	63-3950	Hose - Cylinder, Drop RH	42	34	1
56-0020	Plug	32	21	2	63-4020	Tube - Hydraulic	42	3	1
56-0020	Plug - Expansion	33	18	1	63-4030	Tube - Pressure RH	42	35	1
56-0100	Plug	30	37	1	63-4040	Tube - Return	42	4	1
56-0220	Pin	30	35	2	63-4050	Fitting - Traction, Upper	15	12	2
56-0480	Key - Woodruff	32	8	1	63-4060	Tube Assembly	15	10	1
56-0480	Key - Woodruff	31	18	2	63-7140	Mount - Shock	25	38	4
56-1060	Ring - Snap	32	15	1	63-7380	Tank - Reserve	24	34	1
56-1230	Shaft - Filter, Oil	30	28	1	63-7400	Washer - Rebound	25	37	4
56-1510	Screw - Set	37	3	1	63-7430	Gauge - Temperature	14	3	1
56-1580	Armature Set	37	23	1	63-7440	Solenoid - Stop	25	16	1
56-1590	Bearing - Front	37	24	1	63-7590	Relay - SPDT	23	55	2
56-1600	Bearing - Rear	37	22	1	63-7622	Hose - Fuel	22	18	2
56-1610	Bolt	37	17	1	63-7623	Hose - Fuel	22	49	1
56-1640	Stopper Set	37	14	1	63-7790	Screw	25	42	18
56-1670	Gear	37	11	1	63-8280	Head Assembly	22	29	1
56-1680	Cover Set	37	10	1	63-8290	Fitting - Vent	22	30	1
56-1700	Brush Holder Assembly	37	19	1	63-8300	Element - Filter	22	31	1
56-1710	Spring - Brush	37	20	4	63-8310	Fitting - Drain	22	32	1
56-1720	Rear Bracket Assembly	37	18	1	63-8360	Key	14	4	1
56-2230	Hose - Fuel	22	7	1	63-8440	Decal - Hot Surface	24	44	1
56-2520	Valve - Shutoff, Fuel	22	16	1	63-8750	Pin - Pivot	8	33	1
56-7970	Clamp - Tube	3	88	2	63-8750	Pin - Pivot	5	42	1
56-7980	Sleeve - Protective	16	68	3	63-8750	Pin - Pivot	2	45	1
56-7980	Sleeve - Protective	42	37	3	65-4500	Seal - Snap Ring	7	14	1
56-7981	Sleeve - Protective	16	71	3	65-4550	Valve - Ball, Check	7	6	2
56-7981	Sleeve - Protective	42	36	3	65-4560	Plug - Hex. (Hollow)	7	3	1
56-7983	Sleeve - Protective	40	1	1	65-4570	Seal - Square Ring	7	4	2
56-7983	Sleeve - Protective	12	57	1	65-4600	Washer - Thrust	7	19	2
56-7984	Sleeve - Protective	26	57	1	65-4610	Bearing - Thrust	7	20	1
56-7986	Sleeve - Protective	16	74	1	65-4620	O-Ring	7	12	1

*Not Illustrated

TORO PART NUMBER INDEX (Cont.)

3317-751

Part No.	Description	Pg. No.	Ref. No.	Qty.	Part No.	Description	Pg. No.	Ref. No.	Qty.
65-4640	Key - Square	7	11	1	67-2710	Cap - Sealing	33	40	3
65-4640	Key - Square	6	49	2	67-2730	Bolt	33	42	8
65-4650	Nut - Slotted	7	13	1	67-2760	Gasket	33	14	1
65-4690	Seal/Retainer Assembly	7	*	1	67-2770	Nut - Cap	33	12	2
65-4700	Body Seal Kit	7	*	1	67-2780	Washer	33	13	2
65-4860	Head	4	10	1	67-2860	Bolt	31	12	6
65-5871	Tube	11	17	1	67-2880	Bearing Set - Std.	31	8	1
65-5890	Cap - Tube	11	19	2	67-2890	Bearing Set - 0.25 U.	31	*	1
66-2490	Retainer - Battery	23	60	2	67-2900	Bearing Set - 0.50 U.	31	*	1
66-2950	Hour Meter	14	1	1	67-2910	Gear	31	7	1
66-2960	Light - Cluster, Warning	14	33	1	67-2940	Nut - Jam	31	22	1
66-3240	Cap - Radiator	24	6	1	67-2950	Washer	31	20	1
66-5292	Motor - Hydraulic	6	48	2	67-2960	Washer - Lock	31	21	1
66-6840	Decal - Hot Surface	15	37	1	67-2970	Flywheel Assembly	31	13	1
66-6840	Decal - Hot Surface	24	46	1	67-2980	Gear - Ring	31	15	1
66-8800	Relay - Glow	23	53	1	67-2990	Bolt	31	14	4
67-1690	Fitting	22	20	2	67-3000	Washer	32	10	2
67-1700	Decal - Fluid, Starting	38	2	1	67-3010	Camshaft	32	7	1
67-2140	Bolt - Flange	33	15	3	67-3020	Gear	32	12	1
67-2200	Seal	32	4	4	67-3030	Bearing	32	9	2
67-2210	Plug	30	36	3	67-3040	Plate	32	14	1
67-2220	Guide	30	8	1	67-3040	Ring - Snap	31	3	2
67-2230	Seal - Oil	30	14	1	67-3050	Bearing	32	19	1
67-2250	Bolt	32	5	8	67-3060	Shaft	32	18	1
67-2260	Shaft - Idler	30	34	1	67-3070	Gear	32	16	1
67-2270	Case	30	15	1	67-3080	Ring - Snap	32	20	1
67-2280	Gasket	30	13	1	67-3090	Gear Assembly	32	13	1
67-2290	Cover	30	10	1	67-3100	Retainer	31	30	6
67-2300	Gasket	30	9	1	67-3110	Spring	31	29	6
67-2310	Plate	29	4	1	67-3120	Tappet	31	6	6
67-2320	Gasket - Plate	29	5	1	67-3130	Valve - Intake	31	26	3
67-2330	Bolt	27	4	2	67-3140	Valve - Exhaust	31	27	3
67-2330	Bolt	30	16	6	67-3150	Rod - Push	31	5	6
67-2330	Bolt	33	33	4	67-3160	Arm - Rocker	31	1	6
67-2330	Bolt	33	46	2	67-3170	Spring	31	37	2
67-2340	Bolt & Washer	29	3	3	67-3180	Cap	31	32	6
67-2340	Bolt & Washer	30	11	2	67-3190	Rocker Shaft Assembly	31	35	1
67-2340	Bolt & Washer	33	17	2	67-3200	Stay - Rocker	31	33	3
67-2350	Plug	30	25	1	67-3210	Screw - Adjusting	31	4	6
67-2360	Bushing	30	26	2	67-3220	Pin	31	34	1
67-2370	Bushing	30	32	1	67-3230	Nut - Jam	31	2	6
67-2380	Bushing	30	27	3	67-3250	Bolt - Stay, Rocker	31	40	2
67-2390	Plug	30	24	1	67-3260	Washer	28	3	1
67-2400	Bearing Set - Std.	32	3	1	67-3260	Washer	34	8	2
67-2410	Bearing Set - 0.25	32	*	1	67-3260	Washer	31	38	3
67-2420	Bearing Set - 0.50	32	*	1	67-3280	Shim - 0.2	30	38	1
67-2440	Bolt & Washer	30	23	9	67-3290	Shim - 0.3	30	*	1
67-2460	Bolt	30	29	4	67-3300	Shim - 0.4	30	*	1
67-2470	Oil Pan Assembly	29	11	1	67-3310	Shim - 0.5	30	*	1
67-2480	Gasket - Pan, Oil	29	14	1	67-3320	Shim - 0.6	30	*	1
67-2500	Plunger	29	22	1	67-3330	Shim - 0.7	30	*	1
67-2510	Spring	29	23	1	67-3340	Shim - 0.8	30	*	1
67-2520	Plug	29	24	1	67-3350	Shim - 0.9	30	*	1
67-2530	Gear - Inner	29	10	1	67-3360	Shim - 1.0	30	*	1
67-2540	Gear - Outer	29	9	1	67-3370	Bolt & Washer	30	39	4
67-2550	Housing - Pump, Oil	29	8	1	67-3380	Nozzle & Holder Assembly	36	*	3
67-2560	Bolt & Washer	29	7	3	67-3380	Nozzle & Holder Assembly	30	6	1
67-2570	Plug	29	25	1	67-3390	Gasket	30	7	3
67-2570	Plug - Taper	33	19	1	67-3400	Pipe Assembly No.1	30	42	1
67-2580	Gasket - Case	29	2	1	67-3410	Pipe Assembly No.2	30	43	1
67-2590	Seal - Oil	29	20	1	67-3420	Pipe Assembly No. 3	30	1	1
67-2600	Bolt	27	6	1	67-3430	Nut	30	2	3
67-2600	Bolt	29	18	3	67-3440	Gasket	30	4	3
67-2610	Bolt	27	10	2	67-3460	Housing - Pump	35	9	1
67-2610	Bolt	29	19	4	67-3470	Holder - Delivery Valve	35	3	3
67-2620	Bolt	29	21	1	67-3480	O-Ring	35	4	3
67-2630	O-Ring	29	17	2	67-3490	Spring	35	5	3
67-2640	Cap	29	26	1	67-3500	Valve	35	7	3
67-2650	Oil Fill Cap Assembly	29	28	1	67-3520	Sleeve	35	10	3
67-2660	O-Ring	29	27	1	67-3530	Seat	35	11	3
67-2670	Hose - Breather	33	8	1	67-3540	Spring	35	12	3
67-2680	Hanger - Engine	33	16	2	67-3550	Seat	35	13	3
67-2700	Guide - Valve	33	41	6	67-3560	Plate - Shim 1.85	35	14	1

*Not Illustrated

TORO PART NUMBER INDEX (Cont.)

Part No.	Description	Pg. No.	Ref. No.	Qty.	Part No.	Description	Pg. No.	Ref. No.	Qty.
67-3570	Plate - Shim 1.9	35	*	1	67-4330	Oil Filter Assembly	30	40	1
67-3580	Plate - Shim 1.95	35	*	1	67-4340	Screen Assembly	30	31	1
67-3590	Plate - Shim 2.0	35	*	1	67-4350	Switch Assy. - Press. Oil	27	9	1
67-3600	Plate - Shim 2.05	35	*	1	67-4370	Pulley	27	2	1
67-3610	Plate - Shim 2.1	35	*	1	67-4390	Gasket	27	8	1
67-3620	Plate - Shim 2.15	35	*	1	67-4400	Bolt	33	1	2
67-3630	Plate - Shim 2.2	35	*	1	67-4400	Bolt	27	5	1
67-3640	Plate - Shim 2.25	35	*	1	67-4410	Belt - V	27	3	1
67-3650	Plate - Shim 2.3	35	*	1	67-4420	Fitting - Outlet, Water	33	45	1
67-3660	Plate - Shim 2.35	35	*	1	67-4430	Gasket - Outlet, Water	33	44	1
67-3670	Plate - Shim 2.4	35	*	1	67-4450	Fitting - Thermostat	33	31	1
67-3680	Plate - Shim 2.45	35	*	1	67-4460	Gasket - Fitting, Thermostat	33	30	1
67-3690	Plate - Shim 2.5	35	*	1	67-4470	Bolt	33	32	1
67-3700	Tappet Assembly	35	15	3	67-4480	Pipe - By-Pass	33	36	1
67-3710	Screw - Bleed, Air	35	24	1	67-4490	Gasket	33	29	1
67-3720	Washer	35	23	1	67-4500	Switch - Thermal	33	28	1
67-3730	Screw	35	22	1	67-4510	Nut - Gauge, Temp.	33	34	1
67-3740	Nipple	35	21	1	67-4520	Pipe	33	2	1
67-3750	Washer	35	20	2	67-4530	Cover - Intake	33	5	1
67-3760	Plate - Lock	35	2	3	67-4540	O-Ring	33	3	1
67-3770	Screw & Washer	35	1	3	67-4550	Gasket - Manifold, Intake	33	43	1
67-3780	Rack Assembly	35	19	1	67-4570	Gasket - Manifold, Exhaust	33	25	1
67-3790	Screw	35	17	2	67-4590	Bolt	33	23	6
67-3800	Bracket	35	18	1	67-4610	Bolt & Washer	37	2	2
67-3810	Pin	35	16	3	67-4620	Spacer	28	21	1
67-3820	Body	36	32	3	67-4630	Alternator Assembly	28	1	1
67-3830	Washer - 1.25	35	31	1	67-4640	Bolt	28	22	1
67-3840	Washer - 1.3	35	*	1	67-4650	Brace	28	23	1
67-3850	Washer - 1.35	35	*	1	67-4660	Bolt - Flange	28	26	1
67-3860	Washer - 1.4	35	*	1	67-4670	Nutd	28	2	1
67-3870	Washer - 1.45	35	*	1	67-4690	Plate - Plug, Glow	33	39	1
67-3880	Washer - 1.5	35	*	1	67-4700	Lamp - Glow	33	26	1
67-3890	Washer - 1.55	35	*	1	67-4720	Lever Assembly	37	5	1
67-3900	Washer - 1.6	35	*	1	67-4730	Spring Set	37	6	1
67-3910	Washer - 1.65	35	*	1	67-4750	Switch Assembly	37	8	1
67-3920	Washer - 1.7	35	*	1	67-4760	Shaft Assembly	37	16	1
67-3930	Spring	35	30	3	67-4770	Pinion Set	37	15	1
67-3940	Pin	35	29	3	67-4780	Gear Set	37	13	1
67-3950	Piece	35	28	3	67-4790	Shaft Assembly	37	12	1
67-3960	Nozzle Assembly	35	27	3	67-4800	Yoke Assembly	37	21	1
67-3970	Nut	35	25	3	67-4810	Pulley Set	28	16	1
67-3980	Gasket	35	26	3	67-4820	Bolt Set	28	20	1
67-3990	Speed Control Lever Assy.	34	1	1	67-4830	Front Bracket Assembly	28	15	1
67-4000	Pin	34	2	2	67-4840	Screw - Set	28	18	1
67-4010	Stopper	34	13	1	67-4850	Bearing - Front	28	19	1
67-4020	Lever - Spring, Governor	34	7	1	67-4860	Rotor Assembly	28	7	1
67-4030	Rod - Tie	34	21	1	67-4870	Bearing - Rear	28	6	1
67-4040	Weight Assembly	34	12	1	67-4880	Stator Assembly	28	10	1
67-4050	Shaft	34	17	1	67-4890	Rear Bracket Assembly	28	9	1
67-4060	Governor Lever Assembly	34	16	1	67-4900	Terminal Set	28	11	1
67-4070	Sliding Shaft Assembly	34	14	1	67-4910	Regulator Assembly	28	12	1
67-4080	Clip	34	22	1	67-4920	Brush	28	13	2
67-4090	Tension Lever Assembly	34	19	1	67-4930	Rectifier Assembly	28	8	1
67-4110	Cover Assembly	34	*	1	67-5040	Spring	34	18	1
67-4120	Pin	34	33	1	67-5050	Thermostat	33	37	1
67-4130	Cover - Governor	34	4	1	67-5100	Bushing	25	27	1
67-4140	Lever - Stop Assembly	34	10	1	67-5110	Bolt	25	26	1
67-4150	Lever - Stop	34	36	1	67-5120	Washer - Spring	25	28	1
67-4160	Gasket	34	5	1	67-5130	Washer - Flat	25	29	1
67-4170	Spring Set	34	*	1	67-5140	Washer - Serrated	25	30	1
67-4180	Nut	34	29	1	67-5150	Nut	25	31	1
67-4190	Spring - Torque	34	26	1	67-7490	Key	25	15	1
67-4200	Nut - Special	34	28	1	68-4680	Shield - Valve Cover, RH	11	42	1
67-4210	Case - Torque Spring	34	24	1	68-4690	Shield - Valve Cover, LH	11	31	1
67-4220	Screw - Adjusting	34	27	1	68-4700	Arm - Steering	12	63	1
67-4230	Stopper	34	25	1	68-4770	Cylinder - Steering, Hyd.	40	31	1
67-4240	Cap	34	30	2	68-4770	Hydraulic Steering Cylinder	41	*	1
67-4250	Cover	31	24	1	68-4780	Head - Cylinder	41	10	1
67-4260	Spring	34	23	1	68-4790	Piston - Cylinder	41	7	1
67-4270	Bolt	34	3	4	68-4800	Shaft - Cylinder	41	9	1
67-4280	Bolt & Washer	34	15	1	68-4810	Ring - Retaining	41	11	1
67-4290	Nut	34	32	2	68-4820	Barrel	41	3	1
67-4310	Gasket	31	23	1	68-4840	Hose	24	38	1

*Not Illustrated

TORO PART NUMBER INDEX (Cont.)

3317-751

Part No.	Description	Pg. Ref. No. No. Qty.	Part No.	Description	Pg. Ref. No. No. Qty.
68-4850	Hose - Upper	24 1 1	70-7150	Hose - Hyd. Lower, LH	42 25 1
68-4860	Hood - Radiator	24 19 1	70-8130	Barrel	10 1 1
68-4920	Hub - P.T.O.	25 45 1	70-8140	Body & Bearing Assembly	7 9 1
68-4930	Mount - Pump	25 7 1	70-8150	Plate - Valve	7 7 1
68-4940	Pump - Gear	25 2 1	70-8160	Screw - Cap, Hex. Hd.	7 1 8
68-4950	Engine Assembly	25 20 1	70-8170	Ring - Snap	7 21 1
68-4960	Plate - Flywheel	25 8 1	70-8180	IGR Assembly	7 5 1
68-4990	Bracket - Engine, RH	25 40 1	70-8190	Shaft	7 10 1
68-5090	Support - Cable, Throttle	25 44 1	70-8200	Socket - Light	14 32 4
68-5100	Rod - Seat	11 27 1	70-8220	Cable - Ground	25 39 1
68-5120	Cover - Valve, Steering	11 8 1	70-8250	Drive	13 16 1
68-5130	Wheel - Steering	12 67 1	70-8330	Fork - Caster	40 15 1
68-5140	Cap - Steering Wheel	11 2 1	70-8370	Bolt - Wheel, Castor	40 16 1
68-5150	Joint - Ball	41 13 1	70-8400	Fender - Rear	40 28 1
68-5170	Column - Steering	11 5 1	70-8445	Sleeve - Protective	12 59 1
68-5180	Shroud - Radiator	24 40 1	70-8445	Sleeve - Protective	26 60 1
68-5210	Breaker - Circuit,15A	14 14 1	70-8446	Sleeve - Protective	12 62 1
68-5230	Radiator	24 9 1	70-8450	Sleeve - Protective	26 59 3
68-5240	Strip - Foam	24 10 2	70-8470	Screw	25 17 1
68-5241	Strip - Foam	24 11 2	70-8490	Spacer	40 22 2
68-5260	Orifice - Manifold Drain	15 2 1	70-8500	Tire	40 25 1
68-5290	Washer - Arm, Steering	11 49 1	70-8510	Tubing - Convuluted	23 63 1
68-5300	Lever - Arm, Lock	11 12 1	70-8530	Wire - Pump, Fuel	23 65 1
68-5310	Clip - Seat	11 36 1	70-8530	Wire Assembly	30 44 1
68-5370	Decal - Steering Wheel	11 1 1	70-8550	Spark Arrester (Optional)	26 * 1
68-5380	Center Lift Arm Assembly	8 32 1	70-8570	Breaker - Circuit	44 4 1
68-5420	Hub - Locking	11 46 1	70-8600	Hose - Hyd. Upper, RH	5 18 1
68-5430	Plate - Wear	11 47 2	70-8600	Hose - Hyd. Upper, RH	42 10 1
68-5440	Spacer - Arm, Pivot RH	11 43 1	70-8610	Hose - Hyd. Upper, LH	5 * 1
68-5450	Spacer - Arm, Pivot LH	11 10 1	70-8610	Hose - Hyd. Upper, LH	42 26 1
68-5470	Hose	24 35 1	70-8650	Block - Sub-Assembly	32 1 1
68-5480	Plate - Arm, Steering	11 7 1	70-8660	Cylinder Head Assembly	33 27 1
68-5510	Base - Tank, Fuel	22 15 1	70-8670	Gasket - Head, Cylinder	33 24 1
68-5560	Pin - Cylinder	8 27 1	70-8680	Pulley - Crankshaft	31 19 1
68-5640	Bracket - Tank, Reserve	24 32 1	70-8690	Pump Assembly	36 * 1
68-5650	Support - Radiator, Front	24 36 1	70-8690	Pump Assembly	30 41 1
68-5660	Support - Radiator, Rear	24 12 1	70-8700	Pipe - Return, Fuel	30 3 1
68-5670	Grille	24 24 1	70-8710	Element	35 8 3
68-5680	Plate - Electrical	23 57 1	70-8720	Spring - Tie Rod	34 20 1
68-5710	Hose - Pump	26 64 1	70-8730	Fan	27 1 1
68-5710	Hose - Pump	42 21 1	70-8740	Pump Assembly	27 7 1
68-5740	Hose Assembly	12 60 1	70-8750	Manifold - Exhaust	33 20 1
68-5750	Hose - Steering, Cyl. Base	40 3 1	70-8760	Starter Assembly	37 1 1
68-5750	Hose - Steering, Cyl. Base	42 18 1	70-8770	Front Basket Assembly	37 4 1
68-5760	Hose - Steering, Cyl. Rod	40 5 1	70-8780	Center Bracket Assembly	37 7 1
68-5760	Hose - Steering, Cyl. Rod	12 61 1	70-8790	GASket Kit	29 * 1
68-5760	Hose - Steering, Cyl. Rod	42 17 1	70-8800	Piston Ring Set - Std.	31 11 1
68-5770	Hose - Pump	26 63 1	70-8810	Piston Ring Set - 0.25 U.	31 * 1
68-5770	Hose - Pump	42 20 1	70-8820	Piston Ring Set - 0.50 U.	31 * 1
68-5810	Hose - Pump	26 56 1	70-8830	Piston & Pin Set - Std.	31 10 1
68-5810	Hose - Pump	42 19 1	70-8840	Piston & Pin Set - 0.25 U.	31 * 1
68-5830	Hose - Cylinder, Drop Rear	42 31 1	70-8850	Piston & Pin Set - 0.50 U.	31 * 1
68-5840	Hose - Pump, Steering	26 62 1	70-8860	Connecting Rod Assembly	31 9 3
68-5840	Hose - Pump, Steering	12 55 1	70-8880	Dipstick	30 5 1
68-5840	Hose - Pump, Steering	42 14 1	70-8890	Housing - Flywheel	30 22 1
68-5850	Hose - Pump	26 61 1	70-9800	Motor - Reel	16 50 3
68-5850	Hose - Pump	42 13 1	70-9840	Shoe & Lining Assembly	5 7 4
68-5860	Hose - Pump, Inlet LH	15 44 1	70-9850	Clip	6 51 2
68-5860	Hose - Pump, Inlet LH	42 16 1	70-9860	Cam - Brake	6 53 2
68-5870	Hose - Pump, Inlet RH	15 45 1	70-9870	Plate - Support, Brake	6 52 2
68-5870	Hose - Pump, Inlet RH	42 15 1	70-9880	Spring - Extension	6 54 4
68-5880	Return Line - Manifold/Filter	16 55 1	71-0990	Orifice - One Way	16 77 1
68-5880	Return Line - Manifold/Filter	42 33 1	71-1510	Arm - Brake	1 33 1
68-5890	Hose - Return, Filter	15 25 1	71-1510	Lever - Brake	5 27 1
68-5890	Hose - Return, Filter	42 22 1	71-1520	Cap - Tank, Reserve	24 43 1
68-5900	Hose - Cleaner, Air	38 6 1	72-3850	Seal - Ring	16 49 1
68-9931	Control Throttle	14 18 1	72-4320	Switch - Neutral	22 40 1
69-4780	Clamp Hose	14 30 1	72-4380	Seal Kit	17 * 1
69-9760	Plate - Cover	1 3 1	72-4390	Repair Kit	17 * 1
70-2770	Head	10 8 1	72-6140	Shield - Heat, Alternator	33 47 1
70-2780	Piston	10 4 1	72-9870	Cable	24 17 1
70-7130	Tube - Traction, LH Upper	42 29 1	74-3570	Element - Filter	16 48 1
70-7150	Hose - Hyd. Lower, LH	5 * 1	74-3730	Spacer - Cylinder	1 24 2

*Not Illustrated

TORO PART NUMBER INDEX (Cont.)

Part No.	Description	Pg. No.	Ref. No.	Qty.	Part No.	Description	Pg. No.	Ref. No.	Qty.
74-3830	Hose - Assembly	16	72	1	92-2545	Seals - Spool	19	*	1
74-3830	Hose - Assembly	42	8	1	92-2545	Seals - Spool	21	*	1
75-4920	Crankcase Sub-Assembly	29	1	1	92-2546	Wiper - Seal	18	25	4
75-9380	Decal - Caution	12	64	1	92-2546	Wiper - Seal	21	64	5
75-9440	Hub Assembly	40	24	1	92-2547	Plate - Seal Retainer	20	18	6
75-9610	Spacer	24	47	1	92-2547	Plate - Seal Retainer	18	24	4
75-9630	Brace	24	48	1	92-2548	Seals - Spool Single	19	*	1
76-1720	Gasket	16	79	1	92-2548	Seals - Spool Single	21	*	1
76-1850	Clevis	4	14	1	92-2549	Seals - Spool	21	*	1
76-1860	Shaft	4	7	1	92-3057	Capacitor Assembly	44	5	1
76-2660	Tube - Spacer	12	70	1	92-3058	Spring - Centering	18	41	1
76-4380	Tank - Fuel, Diesel	22	4	1	92-3148	Spring	20	23	1
76-4420	Hose - Fuel	23	67	1	92-6533	Kit - Cushion	11	24	1
76-4430	Fitting - Fuel	23	68	1	92-6534	Shell - Seat	11	14	1
76-8750	Plate - Warning	24	4	1	92-7164	Muffler - Exhaust	25	25	1
80-3330	Gasket	38	17	1	92-7168	Bracket - Engine, LH	25	73	1
83-0060	Pivot - Lift	2	62	1	92-9176	Frame - Pull, LH	2	79	1
83-0080	Spring - Torsion	2	64	1	92-7177	Frame - Pull, RH	5	38	1
83-0140	Pedal - Foot	3	91	1	92-8690	Steering Valve Assembly	11	51	1
83-0160	Brake Shaft	1	8	1	92-8691	Bushing - Seal Gland	13	3	1
83-0540	Pedal - Traction	8	4	1	92-8694	Cap - End	13	18	1
83-1200	Tube - Hydraulic	42	24	1	92-8695	Seal Kit	13	*	1
83-1700	Bushing - Flange	9	78	3	92-8696	Screw - Torx Hd.	13	19	7
83-1860	Centering Spring Kit	13	12	1	92-8697	Plate - Wear	13	15	1
83-1870	Gerotor	13	17	1	92-8851	Cylinder Repair Kit	41	*	1
83-1880	Control Parts Assembly	13	*	1	92-8915	Spring	26	74	2
83-1890	Switch - Ball	19	54	1	93-1386	Section #5 Assembly	21	*	1
83-1890	Switch - Ball	21	60	1	93-7629	Foot Pad - Brake	1	4	1
83-2460	Hose - Hyd. Lower, RH	5	19	1	93-7630	Foot Pad - Mow	1	6	1
83-2460	Hose - Hyd. Lower, RH	42	12	1	93-7631	Foot Pad - Lift	1	9	1
83-2590	Bolt - Shoulder	3	98	1	93-3651	Retainer - Boot	18	22	2
83-6730	Decal - Coolant, Engine	24	7	1	93-3651	Retainer - Boot	20	47	3
83-7230	Cylinder - Lift, Rear	8	45	1	93-3652	Boot - Spool Assembly	19	*	2
84-2000	Bracket - Brake	5	11	4	93-3652	Boot - Spool Assembly	21	*	3
84-2203	Control Valve Assembly	21	*	1	93-8075	Decal - Mow/Lift	1	10	1
84-2203	Control Valve Assembly	16	57	1	93-9346	Clamp - Hose, Pressure	16	69	6
84-2203	Control Valve Assembly	42	32	1	93-9346	Clamp - Hose, Pressure	42	38	6
84-8260	Hose - Cylinder, Lift Rear	42	30	1	93-9347	Clamp - Hose, Return	16	61	6
84-8290	Hydraulic Cylinder Assy.	1	21	2	93-9347	Clamp - Hose, Return	42	39	6
85-6540	Stud - Drive Type	5	6	8	93-9934	Handle - Traction	8	21	1
85-6560	Pin - Pivot, Hood	24	23	1	93-9936	Bracket - Return, Traction	6	59	1
86-5360	Seal Repair Kit	10	*	1	93-9937	Asm. - Cable, Traction	1	62	1
86-5390	Seal Repair Kit	4	*	1	93-9937	Asm. - Cable, Traction	9	79	1
86-7470	Diode - Inline	44	3	2	94-2691	Screw - HWH	12	69	1
86-9820	Frame - Pull, Rear	9	61	1	217-60	Rim	5	3	2
88-6900	Plate - Footrest	9	73	1	218-446	Nut	14	5	1
88-9500	Needle Valve Assembly	16	*	1	218-447	Washer - Lock	14	6	1
88-9630	Bracket - Lift, Pivot RH	3	93	1	218-461	Nut - Jam	22	47	2
88-9640	Lift Pivot Bracket - LH	1	13	1	218-515	Bracket - Mounting	14	25	1
88-9660	Shaft - Cutting Control	1	11	1	219-17	Bulb - Light	14	*	4
88-9700	Hose - Hydraulic	1	20	1	231-124	Tire - Treaded (Optional)	5	*	2
88-9700	Hose - Hydraulic	8	48	1	232-24	Stem - Valve	40	26	1
88-9720	Decal - GR 3000D	2	85	1	232-24	Valve Stem & Cap	6	56	2
92-0585	Pull Arm Assembly - RH	2	76	3	232-37	Tube - Inner (Optional)	5	*	2
92-0586	Pull Arm Assembly - LH	2	70	3	233-48	Knob	8	20	1
92-0587	Fitting - Hydraulic Valve	16	54	1	233-50	Knob - Throttle	14	7	1
92-0588	Bushing - Needle	16	80	1	237-7	O-Ring	22	46	1
92-0845	Crankshaft	31	16	1	237-21	O-Ring	15	11	7
92-0846	Cover Assembly	33	6	1	237-21	O-Ring	1	18	1
92-0847	Oil Filler Cap Assembly	33	11	1	237-22	O-Ring	15	9	3
92-1180	Seat Assembly	12	*	1	237-22	O-Ring	26	68	3
92-1190	Cable - Battery, Negative	22	3	1	237-30	O-Ring	15	6	7
92-1190	Cable - Battery, Negative	44	2	1	237-30	O-Ring	22	41	1
92-1191	Cable - Battery, Positive	22	1	1	237-30	O-Ring	26	55	1
92-1191	Cable - Battery, Positive	44	1	1	237-35	O-Ring	40	4	2
92-1193	Frame	8	26	1	237-35	O-Ring	8	47	2
92-1194	Plate - Traction Pivot	9	66	1	237-35	O-Ring	12	54	4
92-1196	Decal - Service	12	68	1	237-35	O-Ring	26	65	1
92-2360	Wire Harness Assembly	44	*	1	237-42	O-Ring	15	3	9
92-2529	Decal - Panel, Instrument	14	10	1	237-42	O-Ring	12	52	4
92-2538	Timer - Glow Plug	14	11	1	237-42	O-Ring	26	66	4
92-2539	Plug - Glow	33	38	3	237-54	O-Ring	20	3	6
92-2544	Panel - Instrument	14	9	1	237-54	O-Ring	18	6	8

*Not Illustrated

TORO PART NUMBER INDEX (Cont.)

3317-751

Part No.	Description	Pg. No.	Ref. No.	Qty.	Part No.	Description	Pg. No.	Ref. No.	Qty.
237-58	O-Ring	16	73	1	322-1	Screw - Cap, Hex. Hd.	8	39	2
237-65	O-Ring	5	17	4	322-2	Screw - Cap, Hex. Hd.	38	14	4
237-65	O-Ring	16	76	4	322-2	Screw - Cap, Hex. Hd.	11	22	2
237-78	O-Ring	40	7	2	322-2	Screw - Cap, Hex. Hd.	15	23	2
237-78	O-Ring	1	16	4	322-3	Screw - Cap, Hex. Hd.	40	9	2
237-78	O-Ring	8	46	2	322-3	Screw - Cap, Hex. Hd.	8	28	1
237-79	O-Ring	15	8	8	322-3	Screw - Cap, Hex. Hd.	24	37	7
237-80	O-Ring	15	4	3	322-4	Screw - Cap, Hex. Hd.	15	22	2
237-80	O-Ring	5	16	4	322-4	Screw - Cap, Hex. Hd.	25	33	7
237-80	O-Ring	26	53	1	322-5	Screw - Cap, Hex. Hd.	8	19	1
237-81	O-Ring	15	1	1	322-5	Screw - Cap, Hex. Hd.	25	41	1
237-101	O-Ring	15	24	2	322-6	Screw - Cap, Hex. Hd.	25	10	4
237-124	Grommet	22	34	1	322-6	Screw - Cap, Hex. Hd.	24	16	1
237-136	Grommet	22	12	4	322-9	Screw - Cap, Hex. Hd.	24	49	1
242-50	Nut - Lock	40	27	4	322-14	Screw - Cap, Hex. Hd.	16	63	3
242-50	Nut - Wheel	5	1	8	323-6	Screw - Cap, Hex. Hd.	22	13	4
242-86	Rim	40	17	1	323-7	Screw - Cap Hex. Hd.	26	75	2
2410-18	Plug	45	2	1	323-8	Screw - Cap, Hex. Hd.	25	4	2
2410-66	Cap - Vinyl	15	41	1	323-9	Screw - Cap, Hex. Hd.	23	61	2
2411-32	Joint - Ball	8	1	2	323-10	Screw - Cap, Hex Hd.	1	14	4
2412-3	Clamp	24	2	4	323-11	Screw - Cap, Hex. Hd.	25	32	4
2412-3	Clamp - Hose	15	26	8	323-12	Screw - Cap, Hex. Hd.	24	18	2
2412-3	Clamp - Hose	42	9	12	323-13	Screw - Cap, Hex. Hd.	24	33	2
2412-31	Clip - Cable	25	46	1	323-20	Screw - Cap, Hex. Hd.	12	66	4
2412-36	Clamp - Hose	22	8	2	324-7	Screw - Cap, Hex. Hd.	25	9	4
2412-39	Clamp	26	69	1	325-7	Screw - Cap, Hex. Hd.	11	44	1
2412-41	Clamp	24	41	1	325-8	Screw - Cap, Hex. Hd.	11	11	1
2412-41	Clamp - R	9	70	2	325-11	Screw - Cap, Hex. Hd.	5	10	8
2412-42	Clamp - Hose	38	5	2	3211-1	Screw - Cap, Hex. Hd.	9	53	2
2412-74	Clamp-R	22	36	1	3216-16	Screw - Cap, Hex. Hd.	11	50	1
2412-89	Clamp-R	22	22	1	3217-6	Nut - Full	6	61	1
2412-102	Clamp-R	11	18	2	3217-6	Nut - Hex.	24	15	1
2412-108	Clamp - Gear, Worm	24	5	2	3217-6	Nut - Lock	39	1	4
2412-108	Clamp - Hose	22	17	8	3217-7	Nut - Hex	18	33	3
251-141	Bearing - Ball	2	74	6	3217-26	Nut	14	27	1
253-111	Seal - Bearing	40	21	2	3218-1	Nut - Jam	24	21	1
254-61	Cup - Bearing	40	10	2	3218-5	Nut - Jam	41	12	1
254-70	Cone - Bearing	40	11	2	3219-2	Nut - Full	6	58	1
254-78	Cone - Bearing	40	20	2	3219-2	Nut - Hex.	46	6	1
254-79	Cup - Bearing	40	19	2	3219-5	Nut - Jam	41	2	1
256-2	Bushing - Sleeve	9	56	2	3219-18	Nut - Hex.	45	2	1
256-155	Bushing	11	39	2	3220-2	Nut - Jam	8	2	2
256-219	Bushing - Flange	9	62	2	3220-2	Nut - Jam	5	22	1
256-251	Bushing	8	22	2	3220-2	Nut - Jam	2	53	4
281-1	Plug - Oil	15	43	1	3220-3	Nut - Jam	40	33	4
282-2	Yoke	5	46	2	3220-3	Nut - Jam	2	69	6
282-2	Yoke	2	51	4	3220-6	Nut - Jam	4	15	1
283-1	Pin - Clevis	5	45	2	3229-22	Bolt - Carriage	3	90	2
283-1	Pin - Clevis	2	52	4	3234-1	Screw - Hex. Flange Hd.	8	9	4
283-8	Pin - Clevis	1	31	2	3234-1	Screw - Hex. Flange Hd.	3	95	4
283-57	Pin - Clevis	8	14	1	3234-13	Screw - Hex. Flange Hd.	5	20	4
283-62	Pin - Clevis	9	80	1	3241-2	Screw - Set, Sq. Hd.	25	13	2
302-2	Fitting - Grease	4	1	2	3241-6	Screw - Set, Sq. Hd.	26	51	2
302-2	Fitting - Grease	8	44	1	3242-1	Screw - Cap, Hex. Hd.	11	45	1
302-5	Fitting - Grease	40	18	1	3250-28	Screw - Cap, Round Hd.	14	16	2
302-5	Fitting - Grease	8	25	1	3250-36	Screw - Pan Head	22	27	4
302-5	Fitting - Grease	2	63	13	3253-3	Washer - Lock	2	86	1
302-11	Fitting - Grease	9	58	1	3253-3	Washer - Lock	21	57	4
302-60	Fitting - Grease	1	22	4	3253-4	Washer - Lock	40	8	2
302-60	Fitting - Grease	5	35	1	3253-4	Washer - Lock	24	14	8
302-60	Fitting - Grease	8	36	1	3253-4	Washer - Lock	11	21	2
304-46	Cock - Drain, Radiator	24	39	1	3253-12	Washer - Lock	14	23	5
304-61	Clamp	16	60	1	3253-15	Washer - Lock	14	15	2
321-3	Screw - Cap, Hex. Hd.	11	37	1	3253-21	Washer - Lock	23	66	2
321-3	Screw - Cap, Hex. Hd.	16	46	2	3253-21	Washer - Lock	2	77	8
321-3	Screw - Cap, Hex. Hd.	9	69	1	3253-29	Washer - Lock	25	5	2
321-4	Screw - Cap, Hex. Hd.	22	6	4	3254-1	Washer - Lock, Int. Tooth	14	26	1
321-5	Screw - Cap, Hex. Hd.	5	8	8	3254-2	Washer - Lock, Int. Tooth	25	35	1
321-6	Screw - Cap, Hex. Hd.	24	20	1	3254-6	Washer - Lock	9	54	2
321-8	Screw - Cap Hex. Hd.	14	8	1	3254-6	Washer - Lock	23	69	2
321-23	Screw - Cap, Hex. Hd.	3	92	1	3254-6	Washer - Lock, Int. Tooth	26	52	1
322-1	Screw - Cap, Hex. Hd.	1	29	5	3255-8	Washer - Lock, Int. Tooth	46	9	1
322-1	Screw - Cap, Hex. Hd.	5	39	1	3255-16	Washer - Lock, Int. Tooth	25	18	1

*Not Illustrated

TORO PART NUMBER INDEX (Cont.)

Part No.	Description	Pg. No.	Ref. No.	Qty.	Part No.	Description	Pg. No.	Ref. No.	Qty.
3256-1	Washer - Flat	9	71	2	3296-29	Nut - Lock	24	45	1
3256-3	Washer - Flat	22	14	4	3296-29	Nut - Lock	9	49	2
3256-3	Washer - Flat	24	30	6	3296-39	Nut - Lock	22	25	2
3256-3	Washer - Flat	9	52	2	3296-39	Nut - Lock	25	34	2
3256-14	Washer - Flat	14	2	4	3296-48	Nut - Lock	25	6	4
3256-22	Washer - Flat	22	24	3	3296-59	Nut - Lock	24	31	4
3256-22	Washer - Flat	15	39	2	3296-59	Nut - Lock	25	36	4
3256-22	Washer - Flat	9	77	1	3296-59	Nut - Lock	9	50	4
3256-23	Washer - Flat	25	11	4	3296-59	Nut - Lock	2	58	8
3256-23	Washer - Plain	1	28	5	3296-67	Nut - Lock	40	29	1
3256-23	Washer - Plain	5	40	1	32104-76	Screw - Acorn Washer Hd.	14	17	6
3256-23	Washer - Plain	8	38	2	32104-76	Screw - Self Tapping	11	32	5
3256-23	Washer - Flat	24	13	7	32105-1	Screw - Cap, Hex. Hd.	14	29	1
3256-23	Washer - Flat	11	20	6	32105-8	Screw - Machine	23	59	4
3256-23	Washer - Flat	15	21	2	32105-8	Screw - Round Head	14	19	2
3256-23	Washer - Flat	9	59	1	32107-11	Nut	38	7	2
3256-24	Washer	26	67	9	32108-100	Screw - Flat Head	5	12	3
3256-24	Washer - Flat	22	28	6	32120-8	Ring - Retaining, Internal	4	11	1
3256-24	Washer - Flat	40	32	1	32121-6	Pin - Roll	1	1	1
3256-24	Washer - Flat	9	51	4	32121-6	Pin - Roll	8	11	1
3256-24	Washer - Flat	2	57	15	32121-35	Pin - Roll	1	12	8
3256-24	Washer - Flat	12	65	4	32121-45	Pin - Roll	11	38	1
3256-26	Washer - Flat	5	32	1	32121-45	Pin-Roll	8	7	2
3256-26	Washer - Flat	8	42	1	32122-35	Screw - Truss Head	46	8	1
3256-26	Washer - Flat	2	48	2	32122-53	Screw - Phillips Hd.	14	13	2
3256-49	Nut - Lock	14	24	6	32128-20	Nut - Lock, Flange	46	3	1
3258-19	Screw - Round Head	38	4	2	32128-20	Nut - Lock, Flange	38	13	4
3272-4	Pin - Cotter	8	23	1	32128-20	Nut - Lock, Flange	9	63	1
3272-6	Pin - Cotter	5	47	2	32128-20	Nut - Lock, Flange Hd.	15	19	3
3272-6	Pin - Cotter	2	50	4	32136-9	Nut - Castle	40	13	1
3272-10	Pin - Cotter	9	81	1	32141-111	Nut - Lock, Flange Hd.	3	89	1
3272-11	Pin - Cotter	1	23	2	32144-1	Screw - Thread Forming	22	5	2
3272-11	Pin - Cotter	11	26	1	32144-1	Screw - Thread Forming	14	28	2
3272-11	Pin - Cotter	8	43	1	32144-14	Screw - Cap, Hex. Hd.	24	50	1
3272-12	Pin - Cotter	5	33	1	32144-14	Screw - Hex. Flange Hd.	9	74	7
3272-12	Pin - Cotter	2	49	1	32144-21	Screw - Fillister Head	11	3	1
3272-37	Pin - Cotter	40	14	1	32144-34	Screw	15	34	6
3274-12	Screw - Cap, Hex. Hd.	11	29	4	32149-7	Nut - KEPS	23	54	4
3274-15	Screw - Fillister Hd.	18	43	2	32149-7	Nut - Lock	14	20	2
3274-19	Screw - Set	15	38	2	32151-41	Ring - Retaining	17	9	1
3274-52	Screw - Hex, Socket Hd.	18	20	4	32151-101	Ring - Retaining	24	26	2
3274-52	Screw - Hex, Socket Hd.	20	45	6	32152-7	Nut - Lock	41	4	1
3274-70	Screw - Hex, Socket Hd.	18	1	2	32152-10	Nut	10	2	2
3274-84	Screw - Cap, Hex. Hd.	21	58	4	32152-10	Nut-Lock	4	3	1
3284-3	Pin - Groove	22	39	1	340-1	Fitting - Hydraulic	25	1	1
3290-55	Rivet - Pop	24	27	8	340-2	Fitting - Hydraulic	25	3	3
3290-271	Rivet	24	3	2	340-3	Fitting - Hydraulic	16	53	1
3290-317	Washer - Spring	2	75	6	340-6	Fitting - Hydraulic	26	54	1
3290-357	Nut - Lock	3	97	1	340-11	Fitting - Hydraulic	15	16	1
3290-357	Nut - Lock	26	76	1	340-14	Fitting - Hydraulic	5	15	4
3290-378	Tie - Cable	40	2	2	340-16	Fitting - Hydraulic	15	5	1
3290-378	Tie - Cable	12	58	6	340-18	Fitting - Hydraulic	15	13	1
3290-378	Tie - Cable	26	58	10	340-77	Fitting - Hydraulic	16	51	4
3290-378	Tie - Cable	23	62	4	340-87	Fitting - Hydraulic	16	58	1
3290-379	Tie - Cable	22	23	3	340-92	Fitting - Straight	1	17	1
3290-379	Tie - Cable	37	27	2	340-96	Fitting - Hydraulic	15	7	1
3290-409	Rivet - Pop	24	25	10	340-98	Fitting - Hydraulic	16	59	2
3296-2	Nut - Lock	14	31	1	340-101	Fitting - Hydraulic	15	17	1
3296-4	Nut - Lock	9	65	2	340-101	Fitting - Hydraulic	16	52	1
3296-16	Nut - Lock	14	12	1	340-103	Fitting - Hydraulic	8	30	2
3296-16	Nut - Lock	22	21	5	340-132	Fitting - Hydraulic	40	6	2
3296-16	Nut - Lock	24	22	1	340-137	Fitting - Hydraulic	12	53	4
3296-16	Nut - Lock	11	33	1	351-78	Edging	11	23	2
3296-16	Nut - Lock	15	40	4	353-301	Poppet	18	27	1
3296-16	Nut - Lock	5	9	8	353-302	O-Ring	20	7	3
3296-16	Nut - Lock	5	43	3	353-302	O-Ring	18	10	3
3296-16	Nut - Lock	9	72	1	353-303	Ring - Backup	20	8	6
3296-16	Nut - Lock	2	80	3	353-303	Ring - Backup	18	9	6
3296-23	Nut - Lock	5	25	8	353-304	Spring	18	28	1
3296-25	Nut - Lock	11	6	2	353-305	O-Ring	20	5	5
3296-29	Nut - Lock	6	60	1	353-305	O-Ring	18	8	4
3296-29	Nut - Lock	25	14	10	353-306	Ring - Backup	20	4	5
3296-29	Nut - Lock	11	34	4	353-306	Ring - Backup	18	7	4

*Not Illustrated

TORO PART NUMBER INDEX (Cont.)

3317-751

Part No.	Description	Pg. Ref. No. No. Qty.	Part No.	Description	Pg. Ref. No. No. Qty.
353-328	Washer - Shim	18 15 A/R	353-783	Fitting - Straight	22 50 1
353-328	Washer - Shim	20 32 A/R	353-808	Collar - Spring	20 24 1
353-329	Washer - Shim	18 16 A/R	353-829	Collar Spool	20 26 1
353-329	Washer - Shim	20 33 A/R	353-830	O-Ring	20 25 1
353-330	Washer - Shim	18 17 A/R	353-831	Spring	20 21 1
353-330	Washer - Shim	20 34 A/R	353-833	Positioner Assembly	21 * 1
353-331	O-Ring	18 29 1	353-835	Seals - Section Set	19 * 1
353-334	Cap - Relief	18 19 2	353-835	Seals - Section Set	21 * 1
353-334	Cap - Relief	20 36 2	353-837	Section #2 Complete	19 * 1
353-392	Seal - Relief Poppet PTFE	18 13 2	353-839	Positioner - DI (SPL) Assy.	19 * 1
353-392	Seal - Relief Poppet PTFE	20 30 2	353-840	Position - DI (SP) Assy.	21 * 1
353-398	Spring	20 35 1	353-841	Position - Spool Assembly	21 * 1
353-417	Collar Spring	20 20 2	353-844	Plus Series	21 55 1
353-417	Collar Spring	18 40 2	353-845	Sleeve - Detent	20 41 1
353-481	Plug - Load Check	20 2 3	353-846	Spud - DI (SPL)	20 40 1
353-481	Plug - Load Check	18 5 3	353-847	Bonnet (SPL)	20 38 1
353-483	Body - Anticavitation	21 61 1	353-848	O-Ring	20 14 1
353-484	Retainer - Ball	21 62 1	353-849	Sleeve	20 39 1
353-529	Plate Seal	20 22 1	353-850	O-Ring	21 56 1
353-531	Poppet Assembly	20 31 2	353-851	Body - Relief CP-RC Mod.	18 12 1
353-531	Poppet Assy.	18 14 2	353-851	Body - Relief CP-RC Mod.	20 29 2
353-550	Plug Assembly	20 13 1	353-853	Bolt - Hex Hd.	20 10 3
353-564	Fitting - Hydraulic 90°	15 27 2	353-855	Spring	18 18 2
353-564	Fitting - Hydraulic 90°	42 23 2	353-855	Spring	20 44 1
353-575	Boot - Dust Cap	18 21 2	353-884	Key - Woodruff	39 19 4
353-575	Boot - Dust Cap	20 46 3	353-886	Ring - Retaining	39 18 2
353-579	Spring	18 45 1	353-922	Seal - Ring	39 23 10
353-586	Bearing - Needle	17 13 4	353-923	Bearing Plate Assembly	39 26 2
353-588	Cover - Motor	17 3 1	353-952	Ring - Backup	18 32 1
353-591	Block - Anti-Extrusion	17 8 1	353-953	Plug Assembly	21 54 1
353-592	Drive Shaft Assembly	17 16 1	353-957	Seal - Lip	20 15 6
353-593	Idle Gear Assembly	17 7 1	353-957	Seal - Lip	18 26 4
353-594	Seal Assembly	17 14 1	353-958	Ring - Backup	20 16 1
353-595	Plate - Wear	17 15 1	353-961	Adapter - Flange	15 31 1
353-596	O-Ring	17 17 1	353-962	Cap & Chain Assembly	15 33 1
353-597	Bridging - Insert	17 5 1	353-963	Gasket	15 36 2
353-598	Gasket - Insert	17 6 1	353-964	Gear - 66B	39 21 1
353-599	Pin - Dowel	17 4 2	353-967	Gear - 33B	39 24 6
353-600	Washer	17 2 4	353-969	Plate - Gear 33B	39 25 3
353-601	Screw - Hex Socket Hd.	17 1 4	353-971	Plate - Gear 66B	39 14 1
353-642	Relief - RC Mod.	19 * 2	354-1	Shaft - Drive	39 20 1
353-642	Relief - RC Mod. Assembly	21 * 1	354-2	Body Assembly	39 15 1
353-668	Plate - Cap, Cover RH	20 11 1	354-3	Bearing Plate Assembly	39 22 1
353-707	Fitting	22 26 1	354-4	Bearing Plate Assembly	39 28 1
353-721	Plug	18 35 2	354-5	Adapter - Splined	39 27 1
353-727	Bonnet	18 2 1	354-6	Plate - Gear 18B	39 30 1
353-728	Sleeve	18 49 1	354-7	Cover Assembly	39 31 1
353-729	Spud - Detent	18 3 1	354-8	Drive Shaft - Gear Assy.	39 29 1
353-730	Spring	20 42 1	354-9	Idle Shaft - Gear Assy.	39 5 1
353-731	Ball	20 43 1	354-10	Idle Shaft - Gear Assy.	39 12 1
353-732	Sleeve - Detent	19 52 1	354-11	Pin - Dowel	39 4 2
353-733	Spacer - Bonnet	18 4 1	354-12	Pin - Dowel	39 6 2
353-733	Spacer - Bonnet	20 19 2	354-13	Pin - Dowel	39 11 4
353-737	Ball	21 63 1	354-14	Pin - Dowel	39 13 2
353-754	Bonnet - R. Detent	18 42 1	354-15	Seal - Shaft	39 17 1
353-758	Seal - O-Ring	18 31 1	354-16	Washer - Lock	39 2 4
353-760	Body Relief	18 30 1	354-17	Stud - Threaded	39 3 4
353-762	Spud - Detent Out	18 50 1	354-25	Section #4 Assembly	21 * 1
353-763	Cap - Adjustment	18 44 1	354-26	Bonnet	20 27 2
353-766	Relief WH (2000) PSI Assy.	19 * 1	354-28	Screw - Hex, Socket Hd.	20 28 2
353-768	Section #1 Complete	19 * 1	354-29	Plate - Thrust	19 48 1
353-770	Section #3 Assembly	21 * 1	354-35	Gasket	39 32 1
353-772	Left End Cover	18 34 1	354-122	Disc - Seal	21 52 1
353-777	Body - Motor	17 12 1	354-129	Anticavitation Check Assy.	21 * 1
353-780	Positioner - R. Detent (Out)	19 * 1	354-131	Section #3 Assembly	21 * 1

*Not Illustrated

PRODUCT CHANGES

In an effort to make improvements available to TORO owners as quickly as possible minor changes are incorporated into Toro's products from time to time that do not become immediately shown in the Parts Catalog. If such a change has been made in your unit which is not reflected in your manual see your TORO Distributor or his Authorized TORO Service Dealer for information and part numbers.

IDENTIFICATION AND ORDERING

MODEL AND NUMBERS

The Greensmaster 3000-D has two identification numbers; a model number and a serial number. The two numbers are stamped on a plate which is located on the main frame under the seat. In any correspondence concerning the Greensmaster 3000-D supply model and serial numbers to assure that correct information and replacement parts are obtained.

To order replacement parts from an Authorized TORO Service Dealer supply the following information:

1. Model and serial number of the Greensmaster 3000-D.
2. Part number description and the quantity of part(s) desired.

NOTE: Do not order by reference number if a parts catalog is being used; use the PART NUMBER.

TABLE OF CONTENTS

Description	Page	Description	Page
Foot Pedals and Roller Assembly	1-3	Alternator Assy.	28
Hydraulic Cylinder No. 84-8290	4	Crankcase Assy.	29
Wheel and Brake Assembly	5-6	Fuel Supply & Engine Block Assy.	30
Hydraulic Drive Motor No. 66-5292	7	Valves & Crankshaft Assy.	31
Frame Assembly	8-9	Camshaft Assy.	32
Rear Hydraulic Cylinder No. 83-7230	10	Cylinder Head Assy.	33
Steering and Seat Assembly	11-12	Governor Assy.	34
Power Steering Valve No. 92-8690	13	Fuel Injection Pump Assy.	35-36
Instrument and Panel Assembly	14	Starter Assy.	37
Valve Bank & Hydraulic Reservoir Assy.	15-16	Air Cleaner Assy.	38
Reel Motor No. 70-9800	17	Hydraulic Pump Assy.	39
Control Valve Assembly No. 84-2203		Rear Wheel Assy.	40
Section 1 and 2	18-19	Hydraulic Steering Cylinder	41
Control Valve Assembly No. 84-2203		Hydraulic System Assembly	42
Section 3 thru 5	20-21	Hydraulic Schematic	43
Gas Tank & Battery Assembly	22-23	Electrical Schematic	44
Radiator & Grille Assy.	24	Special Tools	45-46
Engine Installation Assy.	25-26	TORO Part Number Index	47-55
Water Pump Assy.	27		