



Count on it.

Parts Catalog

TimeCutter® Z4235 Riding Mower

Model No. 74365—Serial No. 31000001 and Up

Ordering Replacement Parts

To order replacement parts, please supply the part number, the quantity, and the description of each part desired.

Understanding Reference Numbers

Each identified part in an illustration has a reference number. The reference number for a part also appears in the parts list, along with other information about the part.

This catalog uses two special reference number formats, one to indicate parts in a service assembly and another to indicate the quantity of a given part in an illustration.

Service Assembly Reference Numbers

Parts in service assemblies have reference numbers in the form a:b. The a represents the reference number of the entire service assembly and the b represents a sequential number unique to each part within the service assembly.

For example, a wheel assembly might be identified by reference number 6, the tire by 6:1, the valve by 6:2, and the wheel by 6:3. When you order the assembly identified by reference number 6, you receive all parts identified by reference numbers 6:1, 6:2, and 6:3. However, you may also order any part individually. Reference numbers of this type appear in illustration and in parts lists.

Reference Numbers Indicating Quantity

In an illustration, if a reference number indicates more than one part, the reference number has the form nX y. The n represents the quantity of the part, the X is the multiplication symbol, and the y represents the reference number.

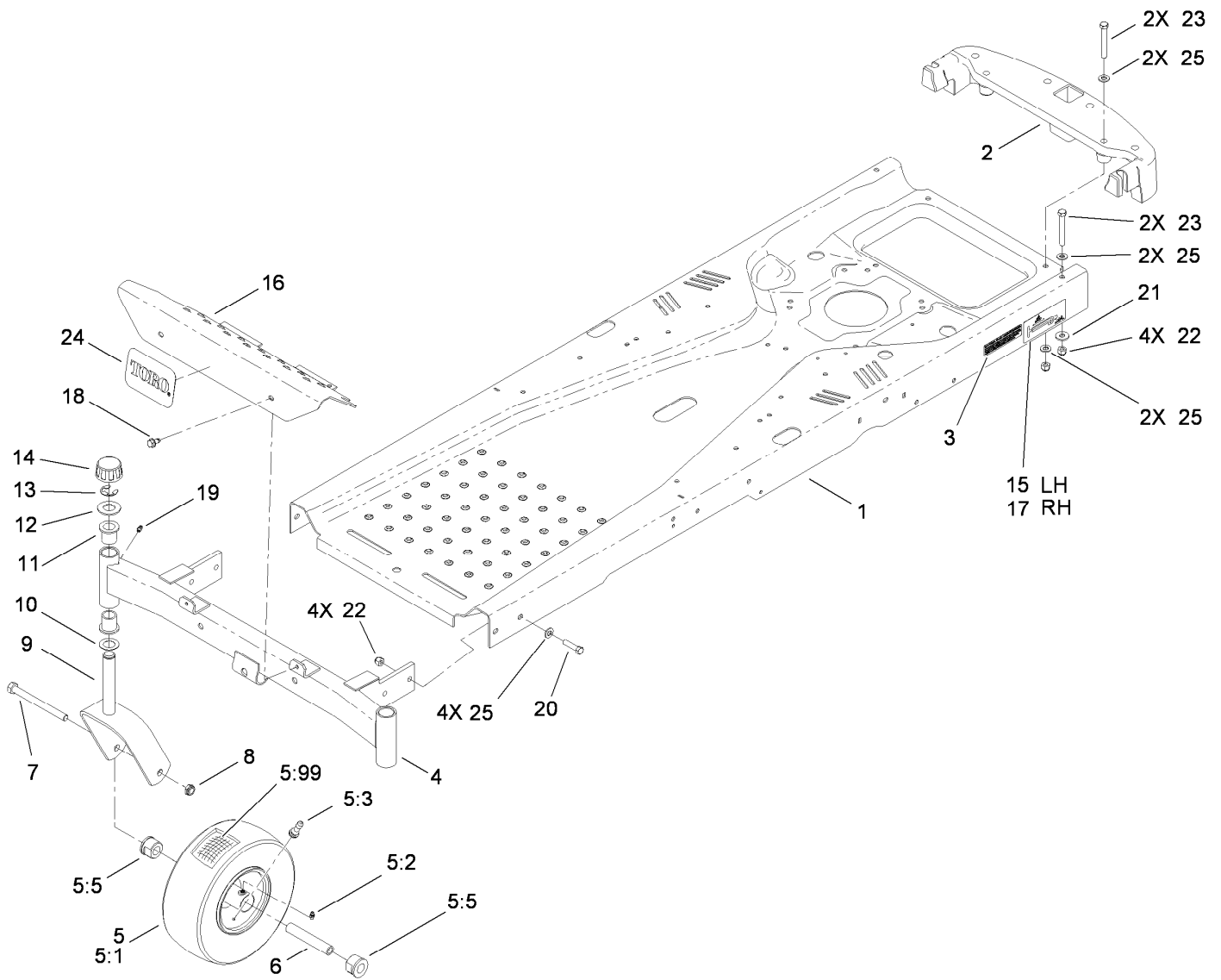
For example, in an illustration, the reference number 2X 37 means that two of the parts identified by reference number 37 are indicated.

List of Abbreviations

AR: as required	HSBH: hex socket button head	SFH: slotted fillister head
ASM: assembly	HSFH: hex socket flat head	SHH: slotted hex head
BBC: blade brake clutch	HSH: hex socket head	SHWH: slotted hex washer head
CARR: carriage	HWH: hex washer head	SPH: slotted pan head
CCW: counter clock wise	HWTF: hex washer head thread forming	SQH: square head
CW: clockwise	HYD: hydraulic	SRH: slotted round head
DEG: degrees	LH: left hand	STD: standard
ECM: electronic control module	NI: nylon insert	TAP: self tapping
EXT: external	NPTF: national pipe thread fine	TTH: torx truss head
FH: flat head	PFH: phillips flat head	
GA: gauge	PPH: phillips pan head	
HD: heavy-duty	PPHTF: phillips pan head thread forming	
HF: hex flange	PRH: phillips round head	
HH: hex head	PTH: phillips truss head	
HHF: hex head flange	PTO: power-take-off	
HHFTF: hex head flange thread forming	RH: right hand	
HJ: hex jam	ROPS: roll-over protection system	
HLH: hex lag head	RRB: rear roller brush	
HOC: height-of-cut		

Contents

Frame and Caster Wheel Assembly	4
Deck Lift Assembly.....	5
Seat Assembly	6
Motion Control Assembly	7
Hydro Traction Drive Assembly	8
RH Hydro Assembly No. 110-6771	9
LH Hydro Assembly No. 110-6770	11
Engine and Clutch Assembly	13
Fuel Delivery and Body Styling Assembly	14
Electrical Assembly	15
42 Inch Deck Assembly.....	16
42 Inch Deck Assembly No. 117-1290	17
42 Inch Deck Belt Drive, Spindle and Blade Assembly.....	18
Attachments and Accessories	19

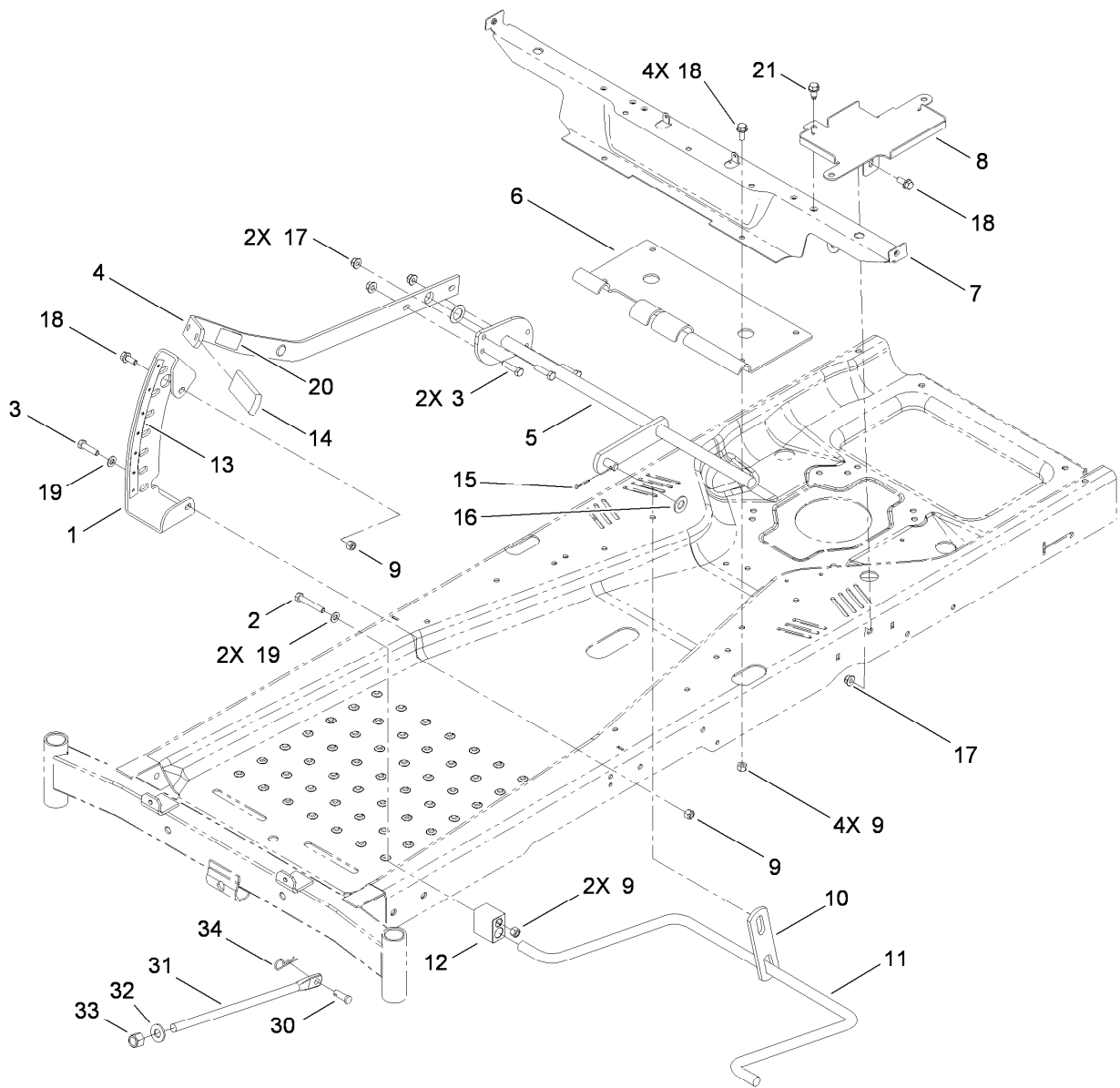


Frame and Caster Wheel Assembly

Ref.	Part Number	Qty.	Description	Ref.	Part Number	Qty.	Description
1	115-2464-01	1	Frame	11	1-303514	4	Bearing-Flanged
2	110-6899-03	1	Bumper-Rear	12	104-8076	2	Washer
3	117-2718	1	Decal-Arrester, Spark	13	32151-103	2	Ring-Retaining, EXT
4	108-7882-01	1	Front Axle ASM	14	61-9780	2	Cap-Hub
5	117-7386	2	10 Inch Tire And Wheel ASM	15	114-8532	1	Decal-Transport, LH
5:1	117-7388	1	Tire-Ribbed	16	108-7855-03	1	Footrest
5:2	302-5	1	Fitting-Grease	17	114-8531	1	Decal-Transport, RH ●
5:3	232-27	1	Stem-Valve	18	32104-32	2	Screw-HWH
5:5	114-1640	2	Bushing-Flange	19	302-5	2	Fitting-Grease
5:99	93-4244	1	Tube-Inner (W/Valve) ■	20	323-8	4	Screw-HH
6	104-3667	2	Spanner-Wheel	21	80-6990	2	Washer-Hardened
7	325-22	2	Screw-HH	22	3296-39	8	Nut-Lock, NI
8	3296-45	2	Nut-Lock, NI	23	323-13	4	Screw-HH
9	108-7851-01	2	Caster Fork ASM	24	99-2385	1	Decal-Toro
10	110-6767	2	Washer-Thrust	25	3256-24	10	Washer-Flat

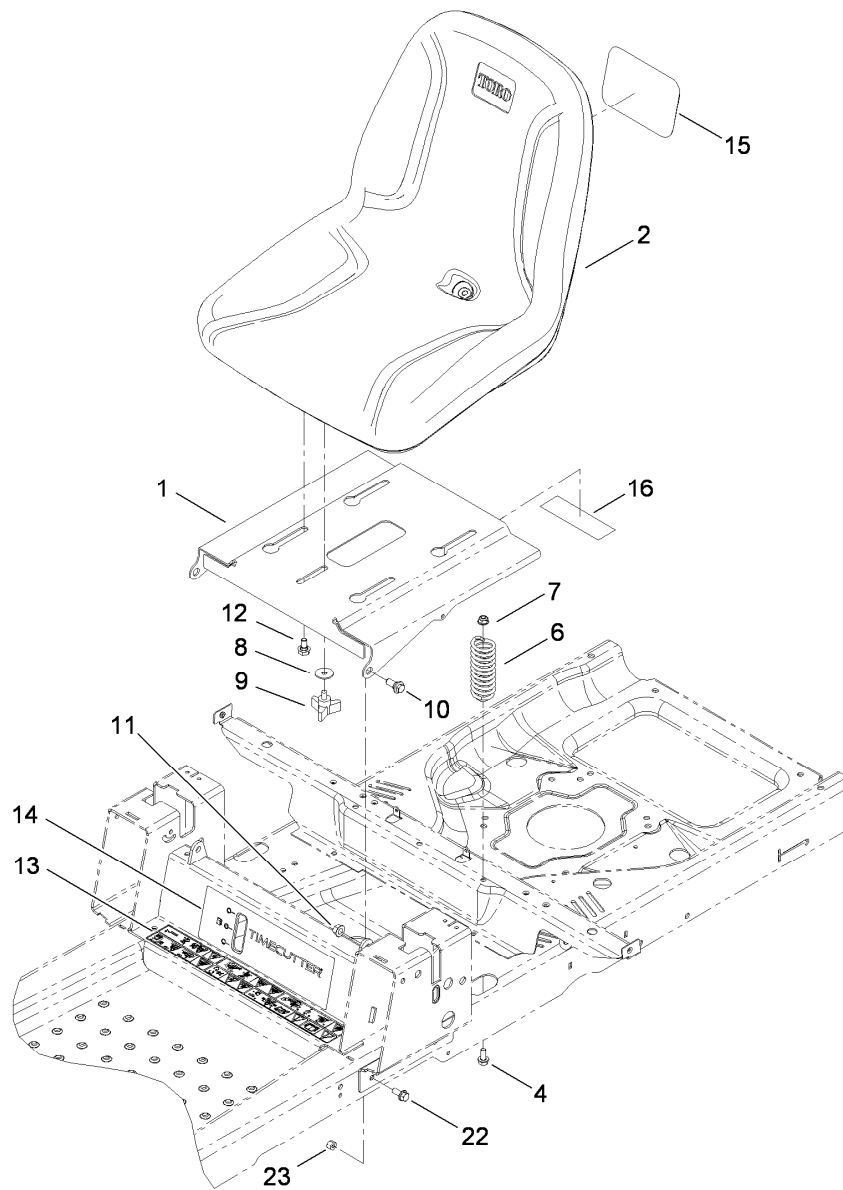
● Not illustrated

■ Optional Equipment



Deck Lift Assembly

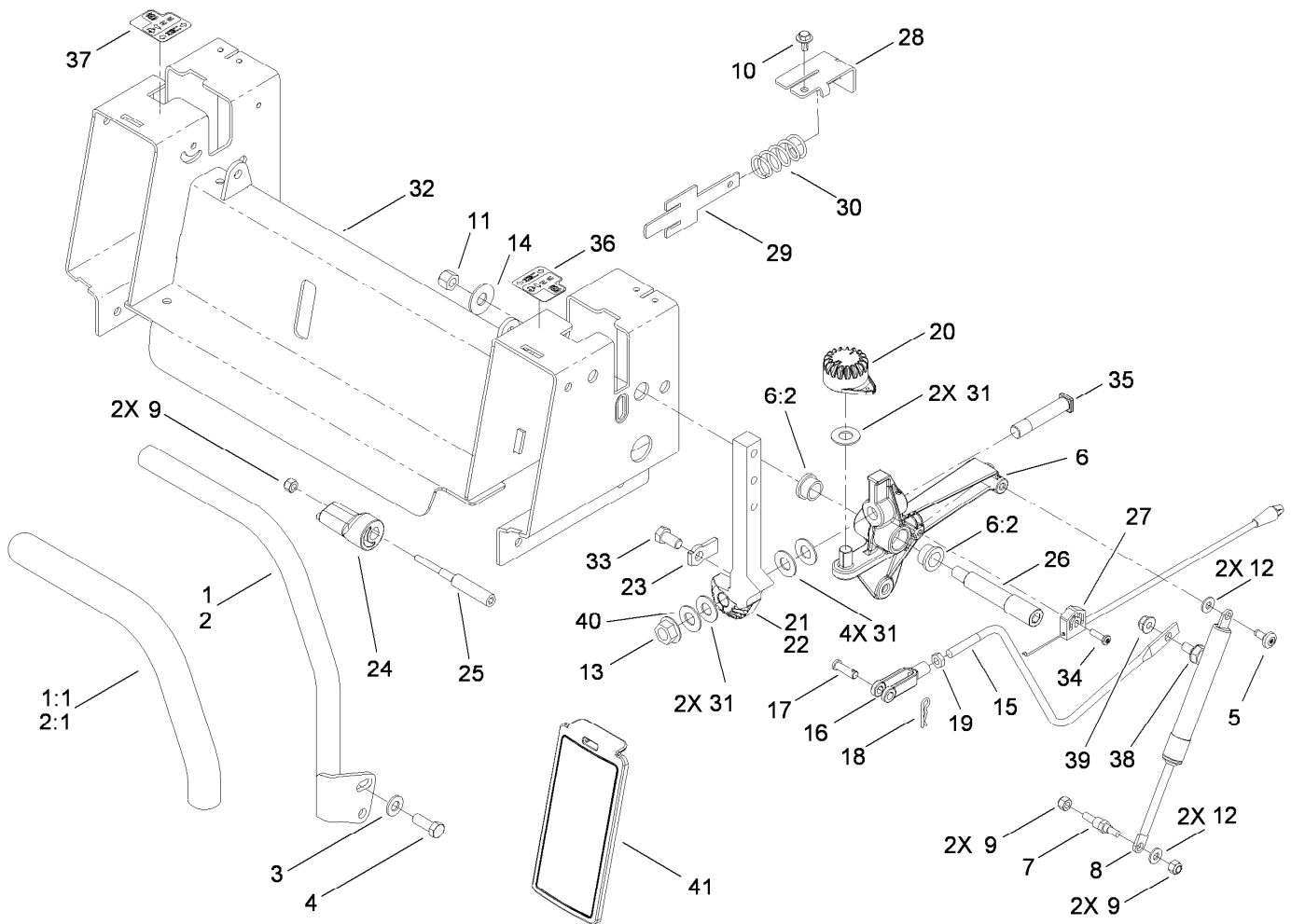
<i>Ref.</i>	<i>Part Number</i>	<i>Qty.</i>	<i>Description</i>	<i>Ref.</i>	<i>Part Number</i>	<i>Qty.</i>	<i>Description</i>
1	112-4027-03	1	Sector-HOC	14	105-3450	1	Grip-Lever, Lift
2	322-10	2	Screw-HH	15	3272-10	1	Pin-Cotter
3	322-6	3	Screw-HH	16	3256-26	1	Washer-Flat
4	112-3960-03	1	Lift Arm ASM	17	104-8300	3	Nut-Flange, NI
5	108-7841-03	1	Lift Lever ASM	18	3234-47	6	Screw-HHF
6	110-6800-03	1	Plate-Lift	19	3256-23	3	Washer-Flat
7	110-6805-03	1	Bracket-Seat/Pods	20	106-8743	1	Decal-HOC
8	110-1937-03	1	Tray-Battery	21	32104-32	1	Screw-HWH
9	3296-29	8	Nut-Lock, NI	30	1-808284	1	Pin-Clevis
10	108-7840	1	Link-Lift	31	108-7847	1	Rod-Lift
11	108-7839	1	Arm-Lift, Rear	32	87-7270	1	Washer-Thrust
12	108-7845	2	Block-Pivot	33	3296-23	1	Nut-Lock, NI
13	112-9802	1	Decal-HOC	34	9335054	1	Pin-Hair



Seat Assembly

<i>Ref.</i>	<i>Part Number</i>	<i>Qty.</i>	<i>Description</i>
1	115-2465-03	1	Base-Seat
2	117-1226	1	Seat-18 Inch
4	3234-47	2	Screw-HHF
6	92-7054	2	Spring-Compression
7	104-8300	2	Nut-Flange, NI
8	5-4460	1	Washer-Pivot
9	92-9674	1	Knob
10	94-7582	2	Bolt-Shoulder

<i>Ref.</i>	<i>Part Number</i>	<i>Qty.</i>	<i>Description</i>
11	32128-21	2	Nut-HF
12	37-8771	4	Bolt-Shoulder
13	115-2469	1	Decal-Danger
14	117-7221	1	Decal-Timecutter
15	99-4693	1	Decal
16	106-8717	1	Decal-Service
22	3234-7	7	Screw-HHF
23	3296-29	7	Nut-Lock, NI

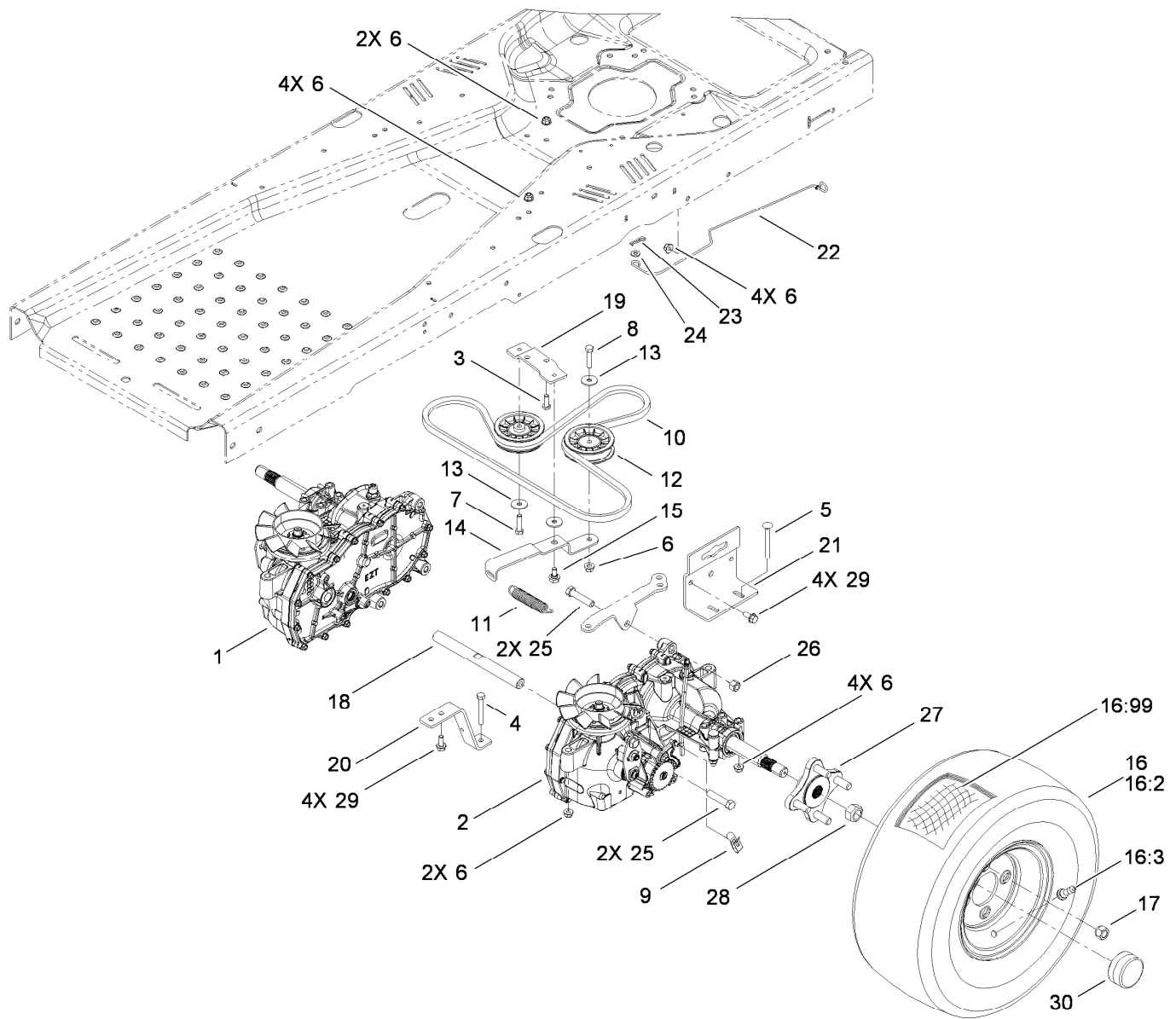


Motion Control Assembly

Ref.	Part Number	Qty.	Description
1	117-5339	1	RH Control Handle ASM
1:1	108-6187	1	Grip
2	117-5338	1	LH Control Handle ASM ●
2:1	108-6187	1	Grip ●
3	3256-24	4	Washer-Flat
4	323-6	4	Screw-HH
5	112-4004	2	Screw-Shoulder
6	110-6828	2	Activator Arm ASM
6:2	105-3455	2	Bushing
7	110-6810	2	Stud-Damper
8	103-2913	2	Damper-Control, Motion
9	3296-42	6	Nut-Lock, NI
10	46-8560	2	Screw-HHF
11	3296-48	2	Nut-Lock, NI
12	3256-22	4	Washer-Flat
13	32128-23	2	Nut-HF
14	3256-5	2	Washer-Flat
15	110-6693	2	Link-Hydro
16	1-303105	2	Yoke-Adjustable
17	1-808280	2	Pin-Clevis
18	1-806003	2	Pin-Cotter, Hair
19	3220-2	2	Nut-Jam

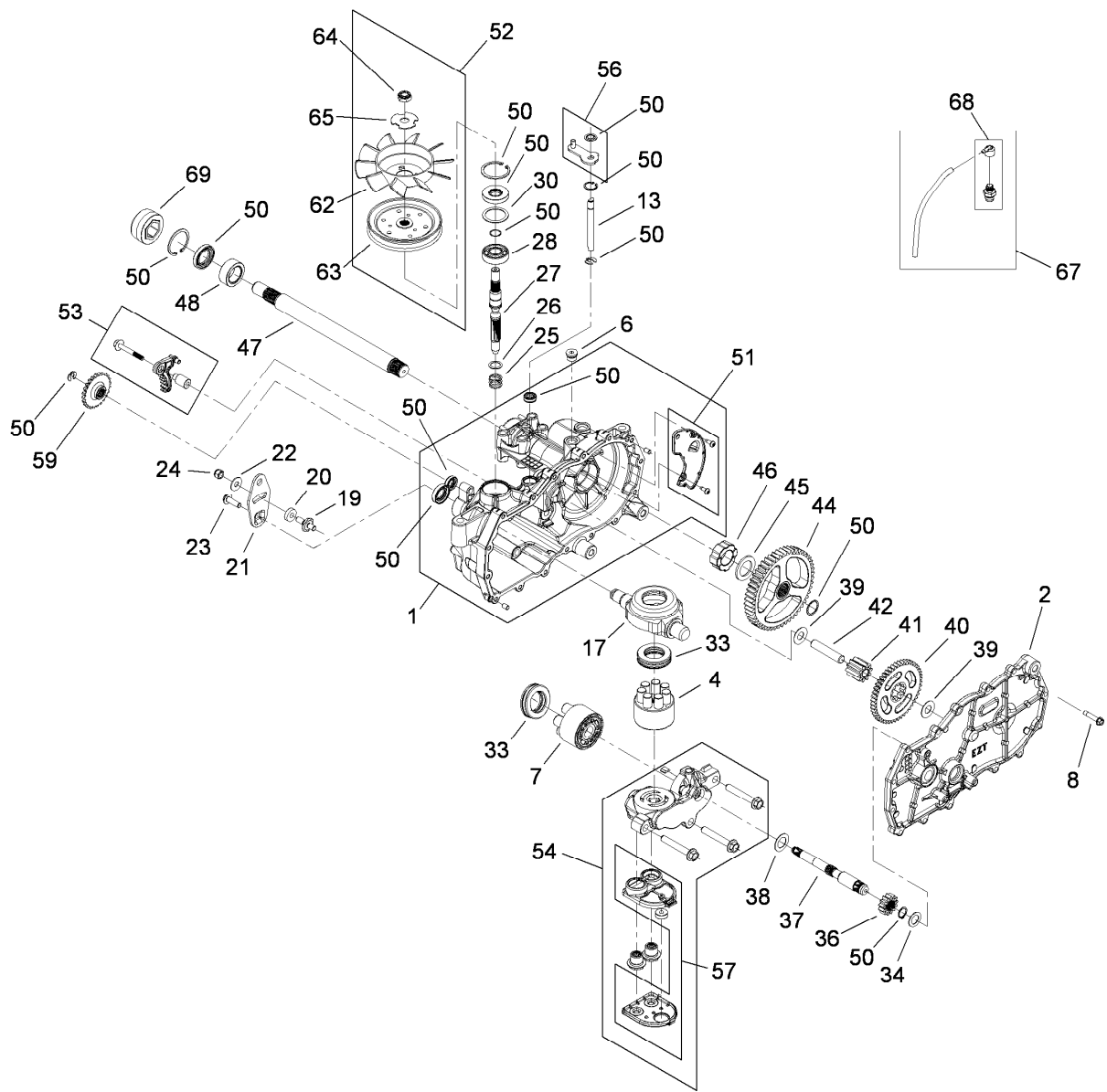
Ref.	Part Number	Qty.	Description
20	110-6845	2	Gear-Control
21	110-6783-05	1	Arm-Actuator, LH
22	110-6782-05	1	Arm-Actuator, RH ●
23	115-5023	2	Tab-Stop
24	110-6873	2	Eccentric
25	110-6874	2	Screw-Eccentric
26	110-6875	2	Bolt-Shoulder
27	110-6858	2	Cable-Brake, Parking
28	110-6751	2	Bracket-Return
29	110-6750	2	Plate-Return
30	110-6752	2	Spring-Compression
31	110-6894	8	Washer-Pivot
32	115-5041-03	1	Seat Pivot/Control ASM
33	323-4	2	Screw-HH
34	110-0863	2	Screw-Torx
35	110-6784	2	Bolt-Shoulder
36	112-9750	1	Decal-Control Lever, LH
37	112-9751	1	Decal-Control Lever, RH
38	37-8771	2	Bolt-Shoulder
39	104-8300	2	Nut-Flange, NI
40	112-9771	2	Washer-Teflon
41	110-6786	2	Cover-Control

● Not illustrated



Hydro Traction Drive Assembly

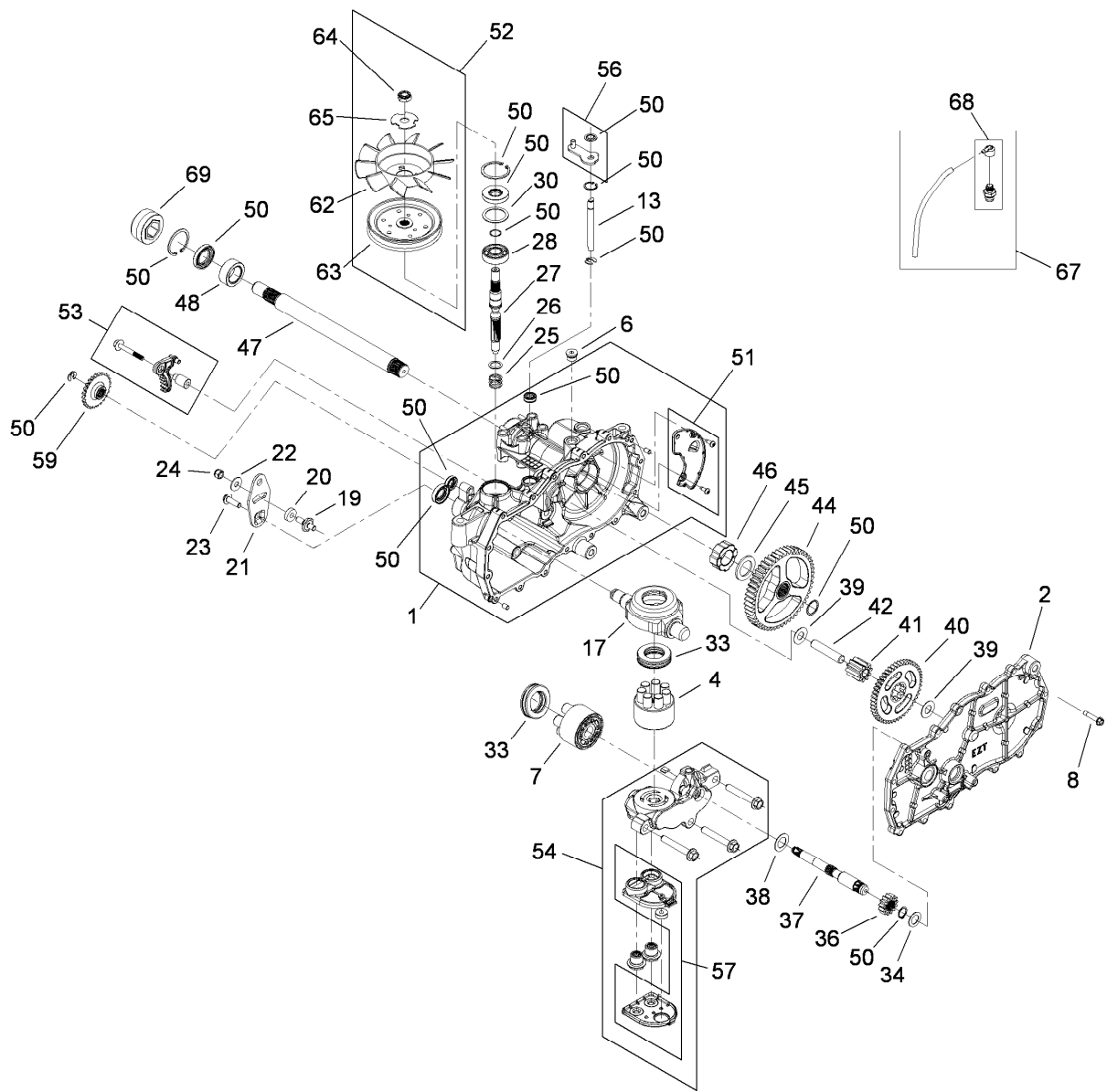
Ref.	Part Number	Qty.	Description	Ref.	Part Number	Qty.	Description
1	110-6771	1	Hydro-RH	16:3	232-27	1	Stem-Valve
2	110-6770	1	Hydro-LH	16:99	107-2491	1	Tube-Tire
3	322-4	2	Screw-HH	17	242-50	8	Nut-Lug
4	322-11	2	Screw-HH	18	110-6807	1	Shaft-Cross
5	3230-9	4	Screw-CARR	19	110-1926	1	Plate-Pivot
6	104-8300	17	Nut-Flange, NI	20	110-6806-03	2	Strap-Torque
7	322-6	1	Screw-HH	21	110-6878-03	2	Support-Hydro
8	322-7	1	Screw-HH	22	110-6787	2	Rod-Bypass
9	110-6677	2	Clip-Spring	23	1-806003	2	Pin-Cotter, Hair
10	110-6774	1	V-Belt	24	3256-22	2	Washer-Flat
11	63-1590	1	Spring-Idler	25	324-8	4	Screw-HH
12	110-6775	2	Pulley-Idler	26	3296-48	2	Nut-Lock, NI
13	5-4460	3	Washer-Pivot	27	112-3979	2	Hub ASM
14	110-1925	1	Arm-Idler	28	112-3982	2	Nut-Lock
15	37-8771	1	Bolt-Shoulder	29	3234-47	8	Screw-HHF
16	110-6881	2	Wheel And Tire ASM	30	115-5057	2	Cover-Nut, Axle
16:2	110-6885	1	Tire				



RH Hydro Assembly No. 110-6771

Ref.	Part Number	Qty.	Description	Ref.	Part Number	Qty.	Description
1	114-1630	1	RH Main Housing ASM	33	94-6922	2	Bearing-Thrust
2	114-1631	1	RH Side ASM	34	104-5339	1	Washer-Flat
4	110-8561	1	Pump Block ASM	36	104-5316	1	Gear-Pinnion, 13T
6	104-2189	1	Plug-Thread, Straight	37	114-1632	1	Shaft-Motor
7	103-2666	1	Cylinder Block Kit	38	104-5360	1	Washer-Shaft, Motor
8	104-5305	16	Screw-HHF	39	94-1933	2	Washer
13	106-8678	1	Rod-Bypass	40	104-5317	1	Gear
17	104-5304	1	Swashplate-Trunnion	41	104-5318	1	Gear-Jackshaft, 10T
19	104-2116	1	Stud	42	104-5329	1	Pin-Jackshaft
20	112-9853	1	Puck-Friction	44	112-9855	1	Gear-52T, Bull
21	106-8747	1	Arm-Control	45	112-9856	1	Washer
22	5-4460	1	Washer-Pivot	46	112-9857	1	Bearing-Sleeve
23	107-2488	1	Screw	47	112-9858	1	Shaft-Axle
24	105-1872	1	Nut	48	112-9859	1	Bushing-Axle
25	94-1936	1	Spring-Block	50	106-8686	1	Seal Kit
26	94-1937	1	Washer-Thrust, Block	51	106-8697	1	RH Expansion Plate Kit
27	104-5306	1	Shaft-Input	52	106-8698	1	Fan Pulley Kit
28	104-5311	1	Bearing-Ball	53	114-1633	1	Brake Arm Kit
30	104-5308	1	Spacer	54	112-9861	1	RH Center Section Filter Kit

● Not illustrated

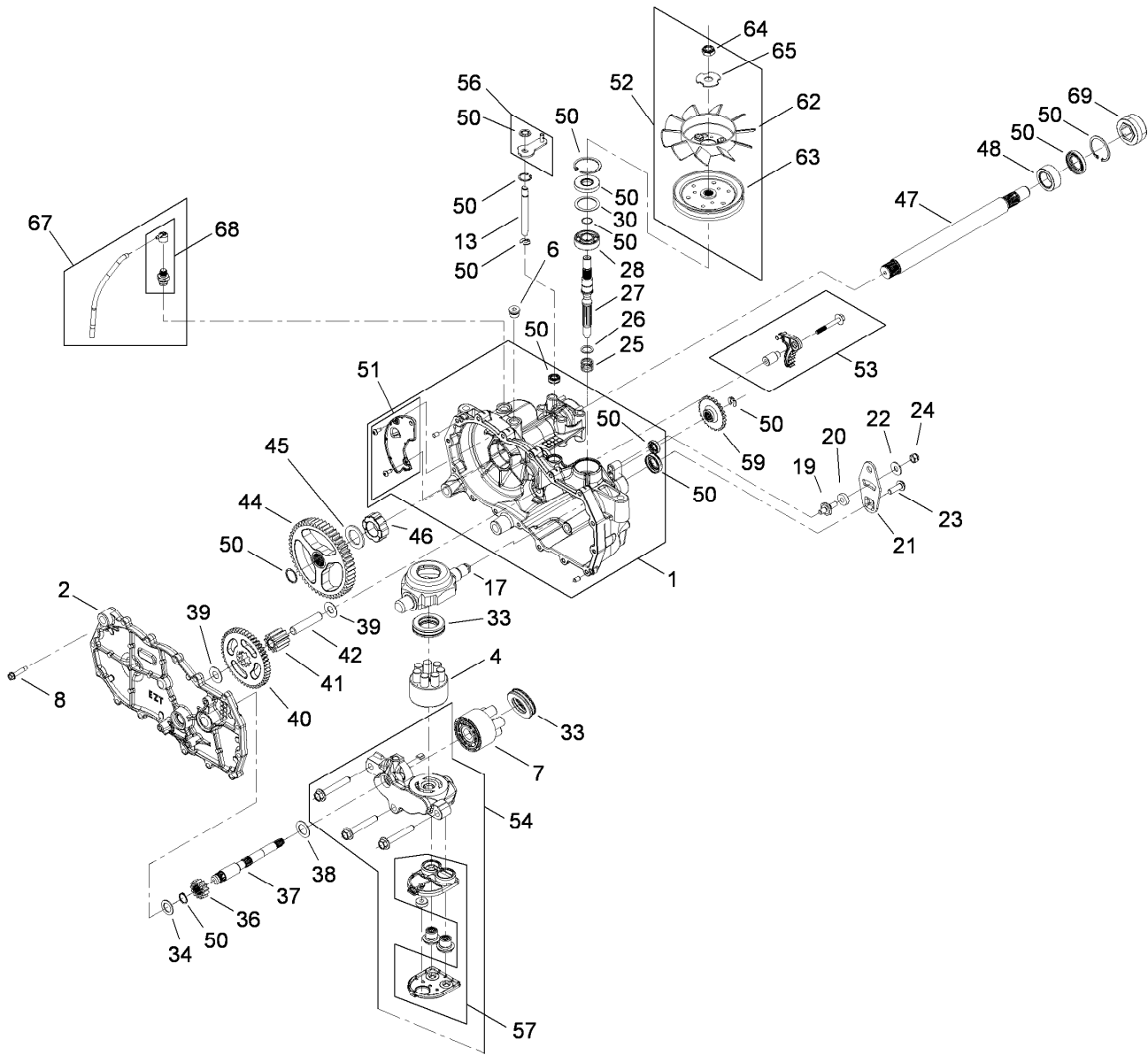


RH Hydro Assembly No. 110-6771 (continued)

<i>Ref.</i>	<i>Part Number</i>	<i>Qty.</i>	<i>Description</i>
55	104-2147	1	Sealant ●
56	107-2489	1	Bypass Arm Kit
57	114-1634	1	Filter Kit
59	106-8694	1	Disc-Brake, Cog
62	110-8566	1	Fan-6 Inch, 10 Blade
63	104-1754	1	Pulley

<i>Ref.</i>	<i>Part Number</i>	<i>Qty.</i>	<i>Description</i>
64	105-1875	1	Nut-Lock
65	107-9122	1	Washer-Slotted
67	112-9866	1	Breather Kit
68	114-1635	1	Breather ASM
69	115-5057	1	Cover-Nut, Axle

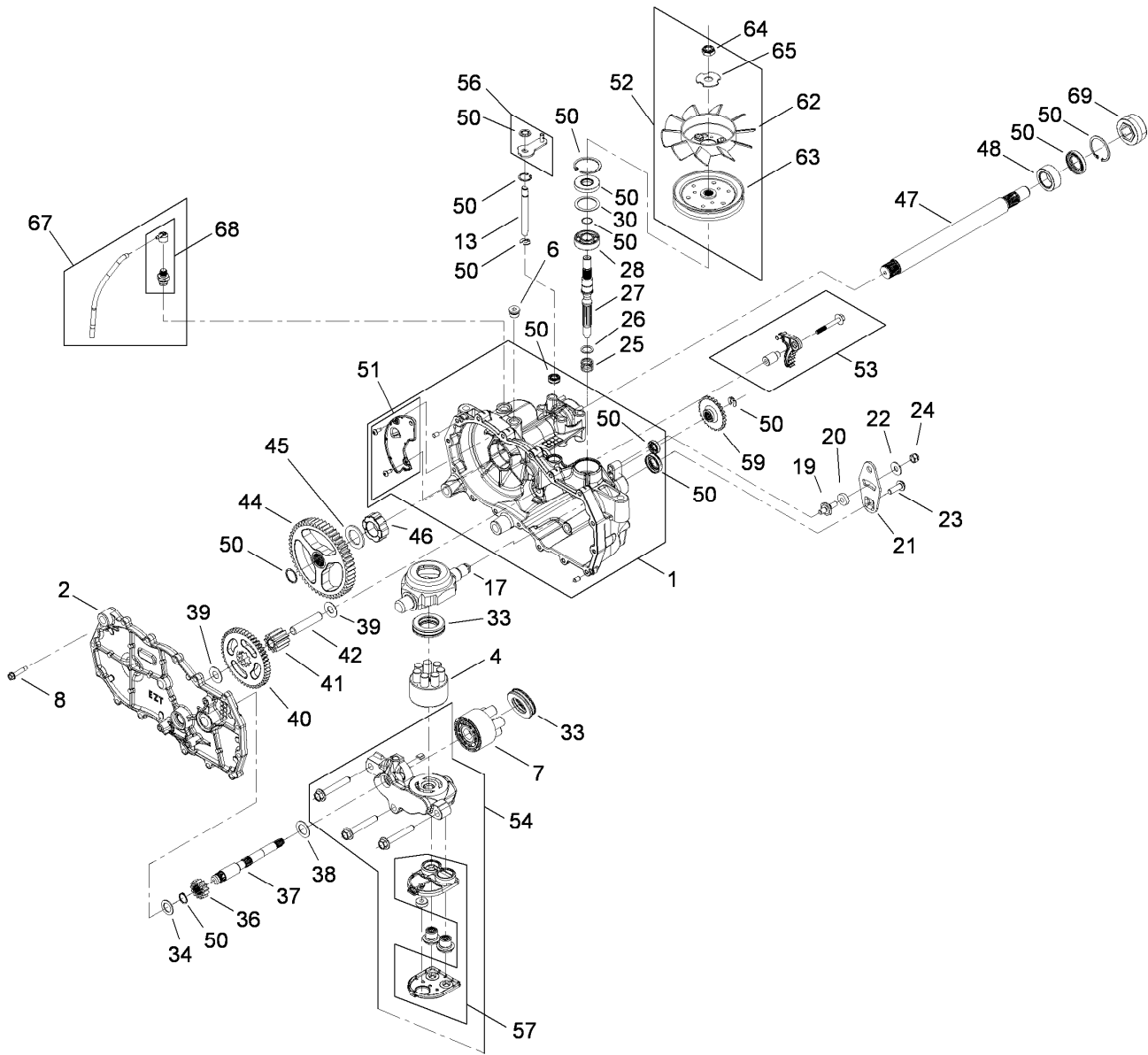
● Not illustrated



LH Hydro Assembly No. 110-6770

Ref.	Part Number	Qty.	Description	Ref.	Part Number	Qty.	Description
1	114-1636	1	LH Main Housing ASM	33	94-6922	2	Bearing-Thrust
2	114-1637	1	LH Side ASM	34	104-5339	1	Washer-Flat
4	110-8561	1	Pump Block ASM	36	104-5316	1	Gear-Pinnion, 13T
6	104-2189	1	Plug-Thread, Straight	37	114-1632	1	Shaft-Motor
7	103-2666	1	Cylinder Block Kit	38	104-5360	1	Washer-Shaft, Motor
8	104-5305	16	Screw-HHF	39	94-1933	2	Washer
13	106-8678	1	Rod-Bypass	40	104-5317	1	Gear
17	104-5304	1	Swashplate-Trunnion	41	104-5318	1	Gear-Jackshaft, 10T
19	104-2116	1	Stud	42	104-5329	1	Pin-Jackshaft
20	112-9853	1	Puck-Friction	44	112-9855	1	Gear-52T, Bull
21	106-8747	1	Arm-Control	45	112-9856	1	Washer
22	5-4460	1	Washer-Pivot	46	112-9857	1	Bearing-Sleeve
23	107-2488	1	Screw	47	112-9858	1	Shaft-Axle
24	105-1872	1	Nut	48	112-9859	1	Bushing-Axle
25	94-1936	1	Spring-Block	50	106-8686	1	Seal Kit
26	94-1937	1	Washer-Thrust, Block	51	106-8687	1	LH Expansion Plate Kit
27	104-5306	1	Shaft-Input	52	106-8698	1	Fan Pulley Kit
28	104-5311	1	Bearing-Ball	53	114-1633	1	Brake Arm Kit
30	104-5308	1	Spacer	54	112-9862	1	LH Center Section Filter Kit

● Not illustrated

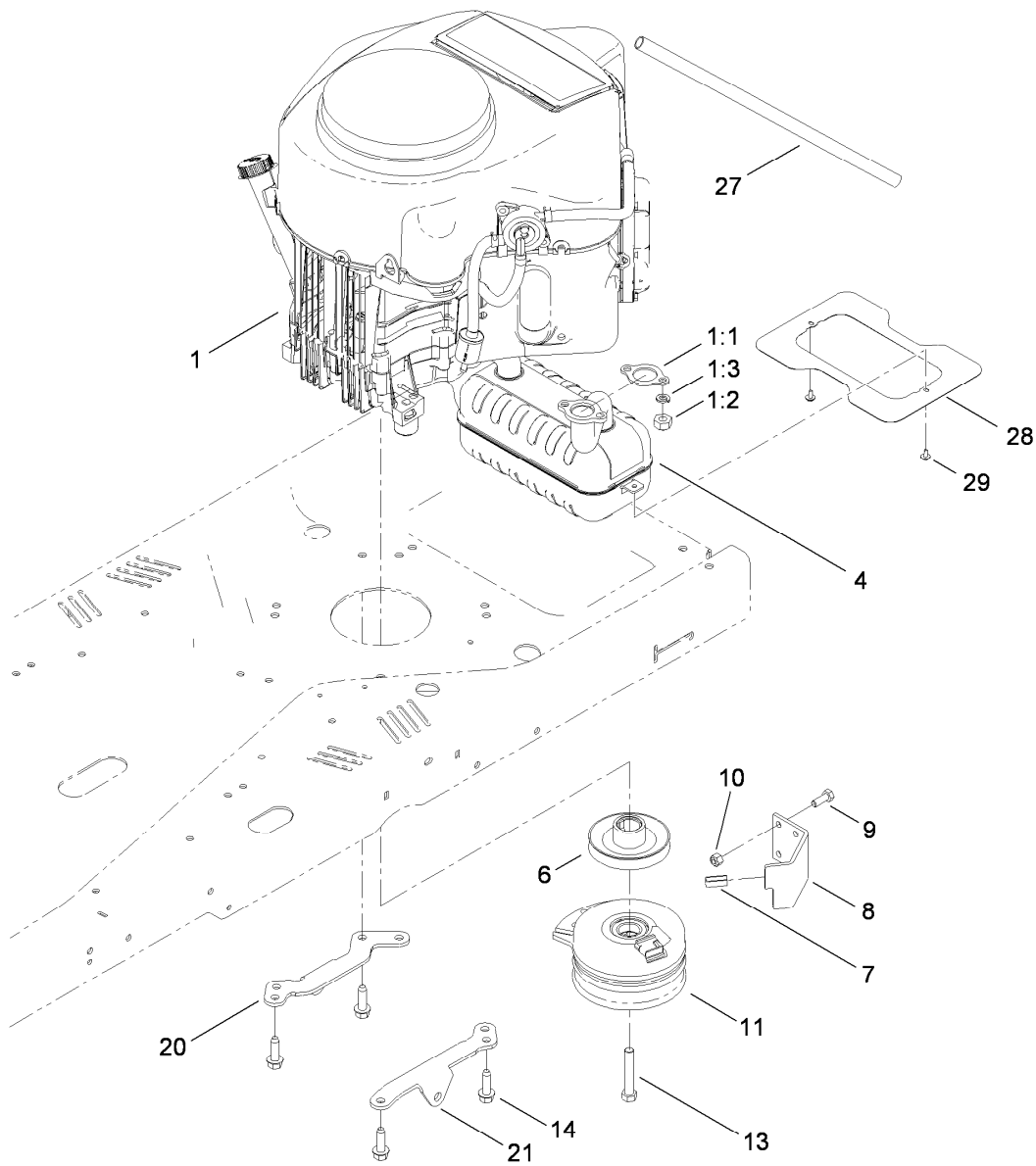


LH Hydro Assembly No. 110-6770 (continued)

<i>Ref.</i>	<i>Part Number</i>	<i>Qty.</i>	<i>Description</i>
55	104-2147	1	Sealant ●
56	107-2489	1	Bypass Arm Kit
57	114-1634	1	Filter Kit
59	106-8694	1	Disc-Brake, Cog
62	110-8566	1	Fan-6 Inch, 10 Blade
63	104-1754	1	Pulley

<i>Ref.</i>	<i>Part Number</i>	<i>Qty.</i>	<i>Description</i>
64	105-1875	1	Nut-Lock
65	107-9122	1	Washer-Slotted
67	112-9866	1	Breather Kit
68	114-1635	1	Breather ASM
69	115-5057	1	Cover-Nut, Axle

● Not illustrated

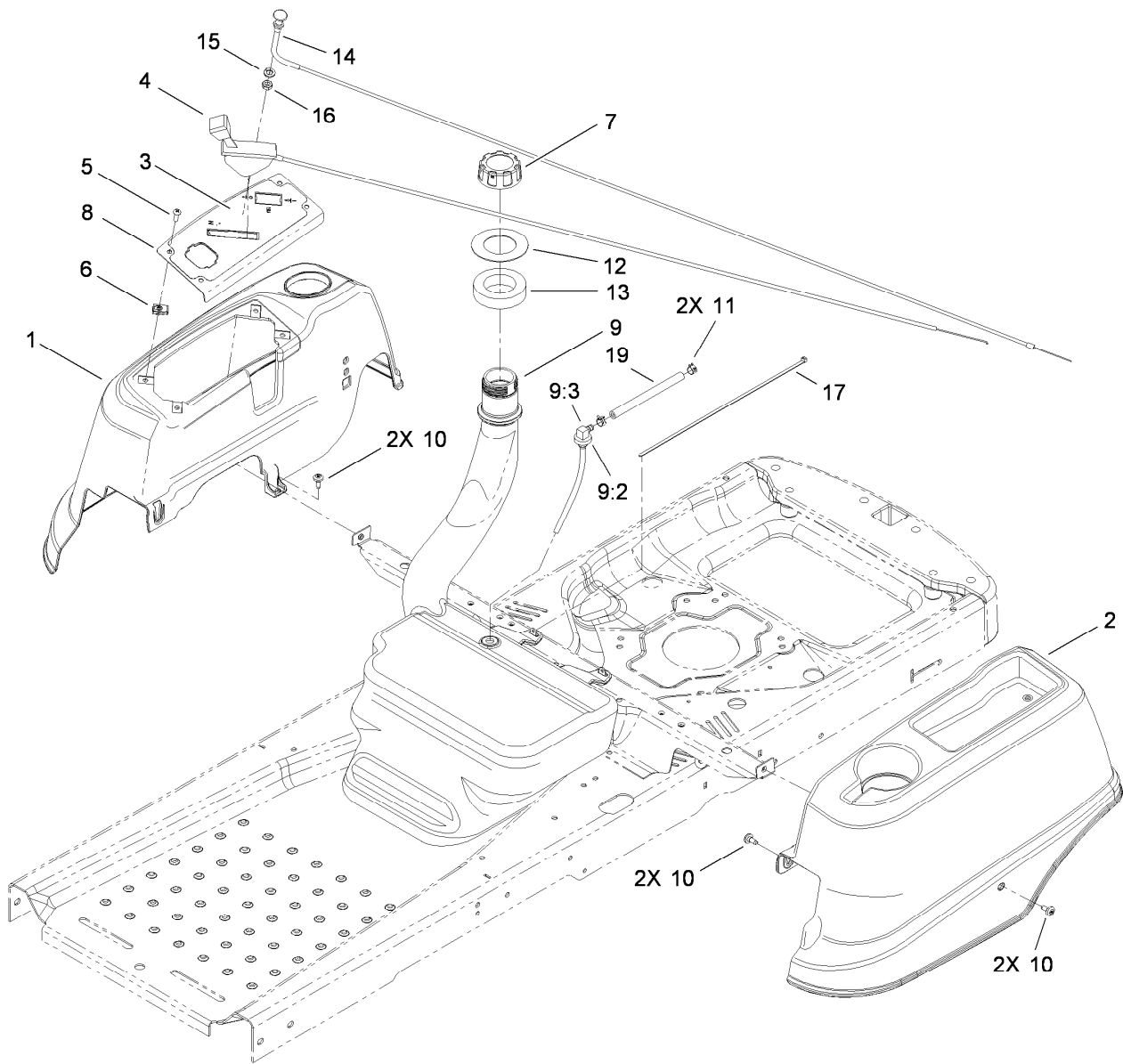


Engine and Clutch Assembly

Ref.	Part Number	Qty.	Description	Ref.	Part Number	Qty.	Description
1		1	Engine-Kawasaki, Fr651V-As06-R ●■	10	3296-29	2	Nut-Lock, NI
1:1	112-9820	2	Gasket-Exhaust	11	117-7468	1	Clutch-Electric
1:2	112-9834	4	Nut	13	3212-10	1	Screw-HH
1:3	112-9835	4	Washer-Lock	14	323-50	4	Bolt-TAP
4	117-7256	1	Muffler-Kawasaki	20	110-6798	1	Support-Hydro, RH
6	114-1622	1	Pulley-Engine	21	110-6799	1	Support-Hydro, LH
7	112-4033	1	Bumper-Pad	27	106-7022	1	Tube-Drain, Oil
8	110-6896	1	Stop-Clutch	28	114-8544-03	1	Shield-Heat
9	322-4	2	Screw-HH	29	46-8560	2	Screw-HHF

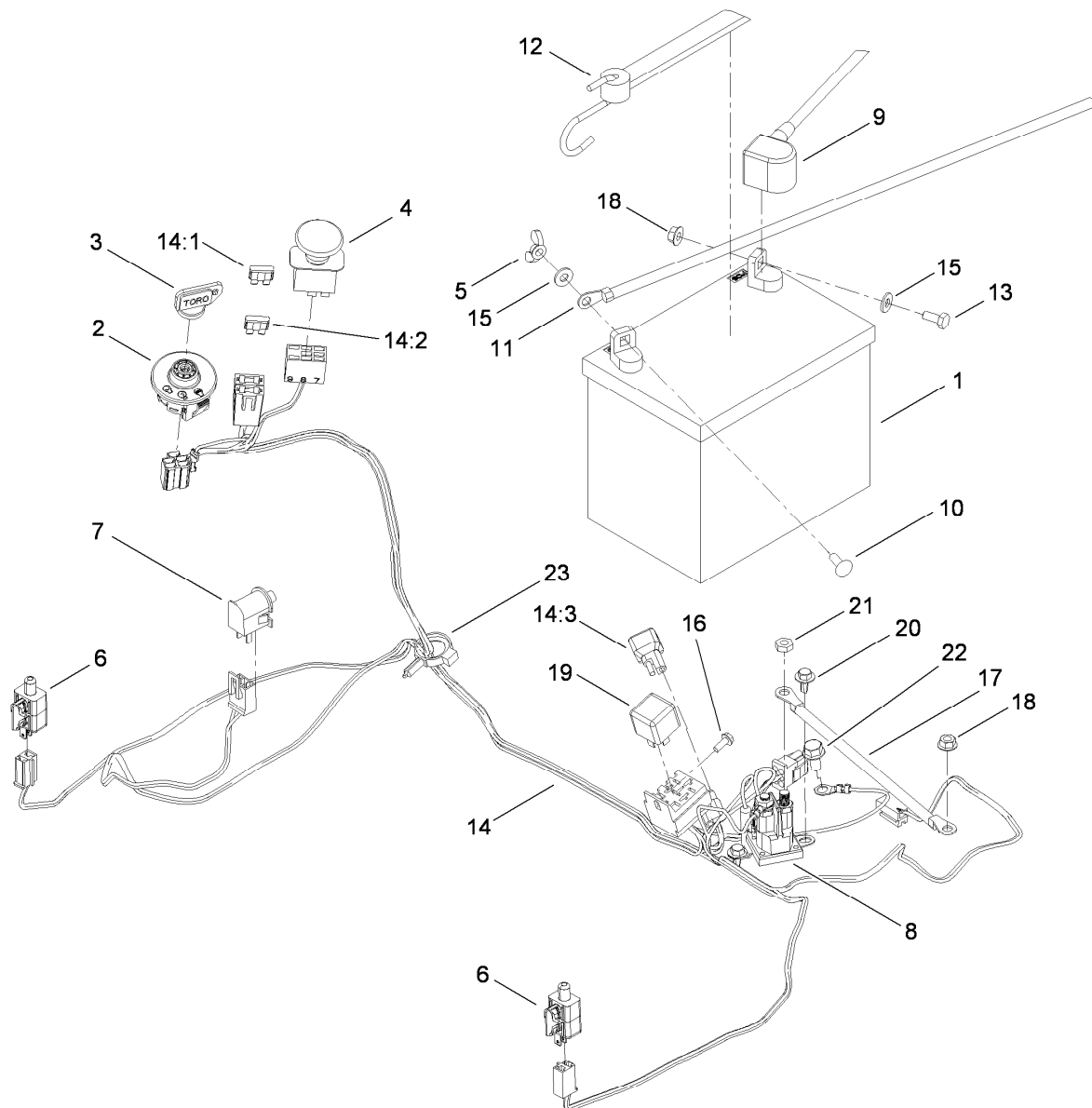
● Not serviced separately

■ Obtain parts from www.kawpowerepc.com



Fuel Delivery and Body Styling Assembly

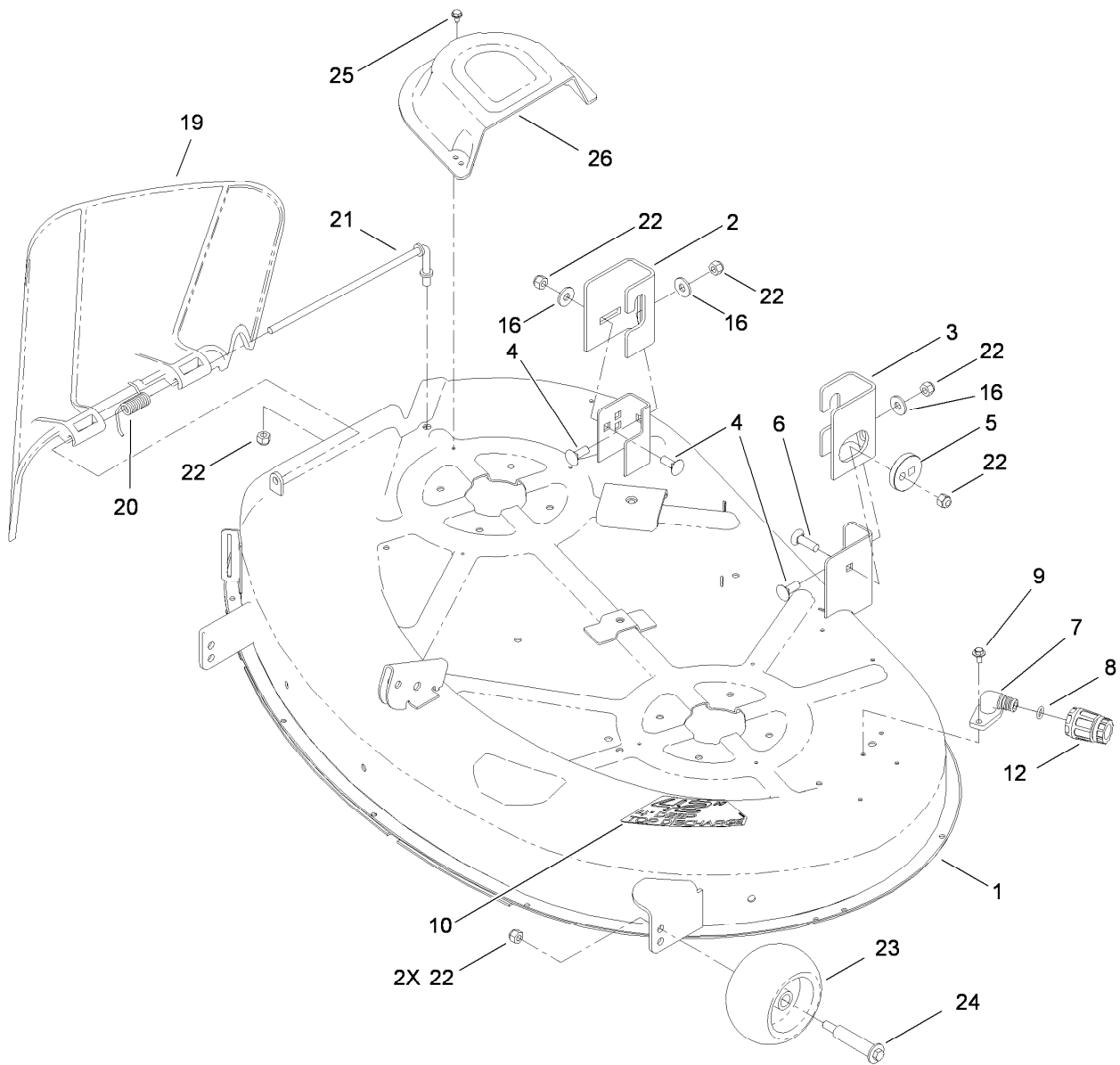
<i>Ref.</i>	<i>Part Number</i>	<i>Qty.</i>	<i>Description</i>	<i>Ref.</i>	<i>Part Number</i>	<i>Qty.</i>	<i>Description</i>
1	117-1219	1	Pod-RH	9:3	95-3970	1	Fitting-90 Degree
2	117-1220	1	Pod-LH	10	112-4004	6	Screw-Shoulder
3	115-2501	1	Decal-Panel, Control	11	2412-98	2	Clamp
4	112-9752	1	Cable-Throttle	12	112-9760	1	Washer-Rubber
5	3258-166	4	Screw-PRH	13	55-9310	1	Seal-Foam
6	107069	4	Clip	14	112-9753	1	Cable-Choke
7	93-7198	1	Gas Cap ASM	15	3253-21	1	Washer-Lock
8	110-1927-03	1	Panel-Control	16	3220-3	1	Nut-HJ
9	110-6890	1	Fuel Tank ASM	17	100-9064	1	Tie-Cable
9:2	46-6560	1	Bushing	19	107-0589	1	Hose-Fuel



Electrical Assembly

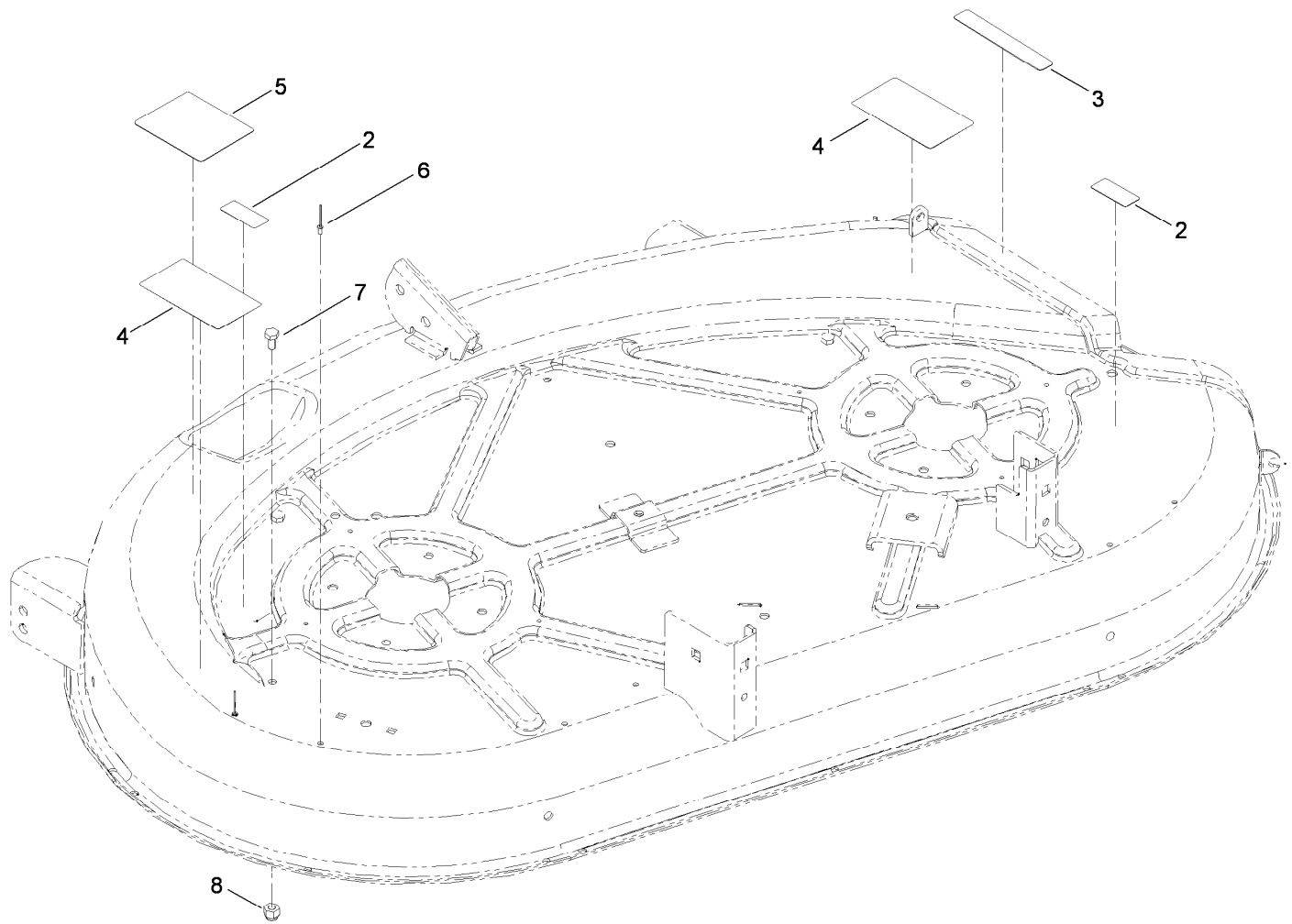
<i>Ref.</i>	<i>Part Number</i>	<i>Qty.</i>	<i>Description</i>
1	104-2493	1	Battery
2	117-2222	1	Switch-Ignition
3	63-8360	1	Key-Ignition
4	93-9998	1	Switch-PTO
5	32103-22	1	Nut-Wing
6	110-6765	2	Switch-Single Pole No
7	82-2190	1	Switch-Bail
8	117-1197	1	Solenoid

<i>Ref.</i>	<i>Part Number</i>	<i>Qty.</i>	<i>Description</i>
14	117-7384	1	Harness-Wire
14:1	109103	1	Fuse-30 Amp
14:2	109102	1	Fuse-25 Amp
14:3	100-4918	1	Diode
15	3256-22	2	Washer-Flat
16	32144-1	1	Screw-Taptite
17	110-6792	1	Cable-Battery, Red
18	32128-33	2	Nut-HF
19	98-7249	1	Relay
20	46-8560	2	Screw-HHF
21	3220-2	2	Nut-Jam
22	33104-016	1	Screw-HHF
23	105-1853	1	Clamp-Hose



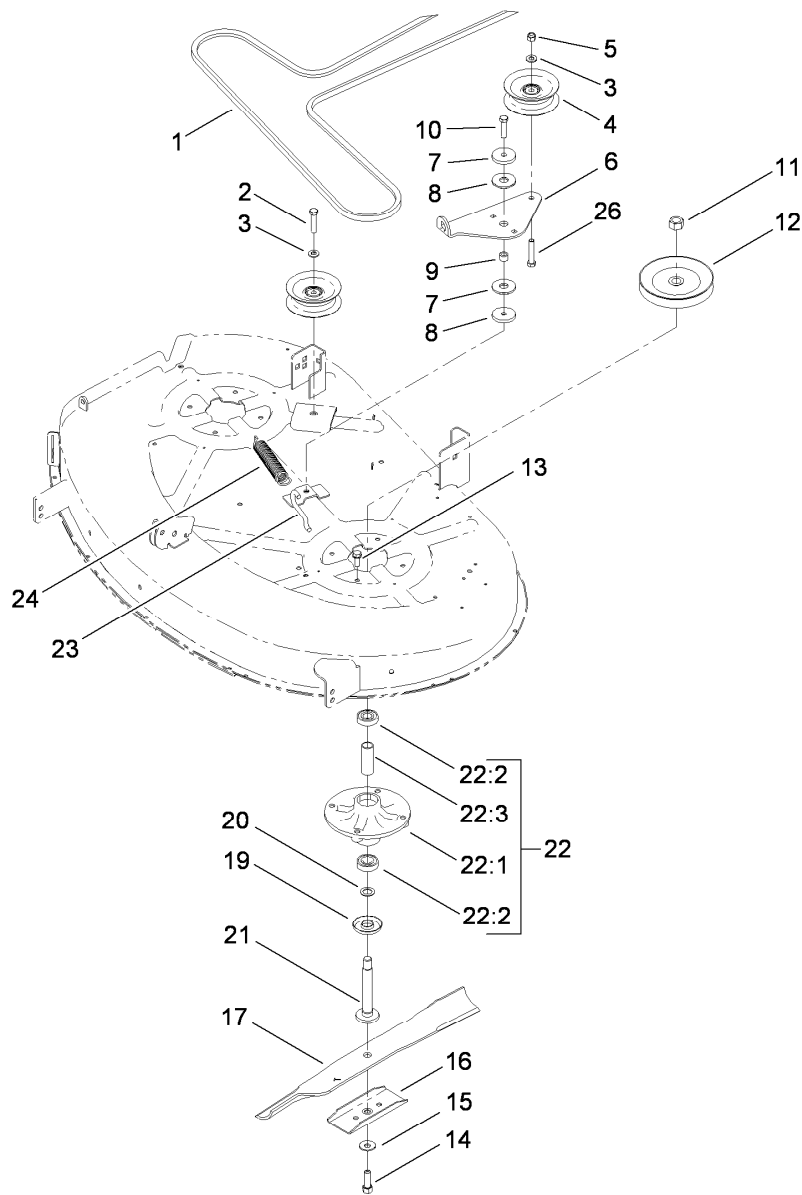
42 Inch Deck Assembly

<i>Ref.</i>	<i>Part Number</i>	<i>Qty.</i>	<i>Description</i>	<i>Ref.</i>	<i>Part Number</i>	<i>Qty.</i>	<i>Description</i>
1	117-1290	1	42 Inch Deck And Decal ASM	12	95-3270	1	Connector-Hose
2	108-7836	1	Bracket-Hanger, Right Rear	16	80-6990	3	Washer-Hardened
3	108-7838	1	Bracket-Hanger, Left Rear	19	112-3951	1	Deflector
4	3231-2	3	Screw-CARR	20	110-6694	1	Spring-Torsion
5	112-3980	1	Eccentric	21	112-4026	1	Rod-Pivot
6	3231-28	1	Screw-CARR	22	3296-39	7	Nut-Lock, NI
7	95-2747	1	Fitting-Washout	23	1-603299	2	Roller-Scalp, Anti
8	46-6290	1	O-Ring, Seal	24	112-3977	2	Bolt-Shoulder
9	46-8560	2	Screw-HHF	25	32104-76	6	Screw
10	117-1222	1	Decal	26	108-7889	2	Cover-Belt



42 Inch Deck Assembly No. 117-1290

Ref.	Part Number	Qty.	Description
2	114-1606	2	Decal-Danger, Pulley
3	93-7009	1	Decal-Danger, Deflector
4	110-6691	2	Decal-Danger
5	105-7015	1	Decal-Routing, Belt
6	3290-282	2	Rivet-Blind
7	321-2	3	Screw-HH
8	3296-42	3	Nut-Lock, NI



42 Inch Deck Belt Drive, Spindle and Blade Assembly

Ref.	Part Number	Qty.	Description	Ref.	Part Number	Qty.	Description
1	110-6871	1	V-Belt	15	3290-465	2	Washer-Belleville
2	323-9	1	Screw-HH	16	106-2248-03	2	Stiffener-Blade
3	3256-24	2	Washer-Flat	17	110-6568-03	2	Blade-21.6 Inch
4	106-2175	2	Pulley-Idler, Flat	19	80-4360	2	Shield-Bearing
5	3296-39	1	Nut-Lock, NI	20	80-4380	2	Spacer
6	114-8540	1	Arm-Idler	21	117-1192	2	Shaft-Spindle
7	110-9981	2	Washer-Plain	22		2	Spindle ASM ●
8	114-0463	2	Washer-Friction, Composite	22:1	88-4510	1	Housing-Spindle
9	115-4986	1	Spacer	22:2	100-1048	2	Bearing-Ball
10	323-8	1	Screw-HH	22:3	62-3661	1	Spacer
11	3219-6	2	Nut-Hex	23	88-5970	1	Hook-Return, Spring
12	110-6864	2	Pulley	24	106-2177	1	Spring-Extension
13	32144-41	8	Screw-Taptite	26	323-10	1	Screw-HH
14	26-0671	2	Screw-HH				

● Not serviced separately

Attachments and Accessories

For 74365 TimeCutter Z4235 Riding Mower

Product Name	Model/Part
Armrest Kit.....	108-6163
Smooth Tread Front Tire Kit.....	110-6739
Hour Meter Kit.....	112-9763
42 Inch Blowout Ring Kit.....	114-1620
Striping Kit	114-8545
Armrest Kit.....	79212
42 Inch Replacement Blade Kit.....	79220
42 Inch Recycler Kit.....	79311
Foot Assist Cutting Unit Lift Kit.....	79313
Floor Mat Kit	79315
Storage Cover	79317
Rear Hitch Kit.....	79318
Sunshade	79319
42 Inch and 50 Inch Twin Bagger	79324
10 cu. ft. Poly Dump Cart.....	79991



Count on it.