



Count on it.

Parts Catalog

TimeCutter® Z5030 Riding Mower

Model No. 74373—Serial No. 290000001 and Up

Ordering Replacement Parts

To order replacement parts, please supply the part number, the quantity, and the description of each part desired.

Understanding Reference Numbers

Each identified part in an illustration has a reference number. The reference number for a part also appears in the parts list, along with other information about the part.

This catalog uses two special reference number formats, one to indicate parts in a service assembly and another to indicate the quantity of a given part in an illustration.

Service Assembly Reference Numbers

Parts in service assemblies have reference numbers in the form a:b. The a represents the reference number of the entire service assembly and the b represents a sequential number unique to each part within the service assembly.

For example, a wheel assembly might be identified by reference number 6, the tire by 6:1, the valve by 6:2, and the wheel by 6:3. When you order the assembly identified by reference number 6, you receive all parts identified by reference numbers 6:1, 6:2, and 6:3. However, you may also order any part individually. Reference numbers of this type appear in illustration and in parts lists.

Reference Numbers Indicating Quantity

In an illustration, if a reference number indicates more than one part, the reference number has the form nX y. The n represents the quantity of the part, the X is the multiplication symbol, and the y represents the reference number.

For example, in an illustration, the reference number 2X 37 means that two of the parts identified by reference number 37 are indicated.

List of Abbreviations

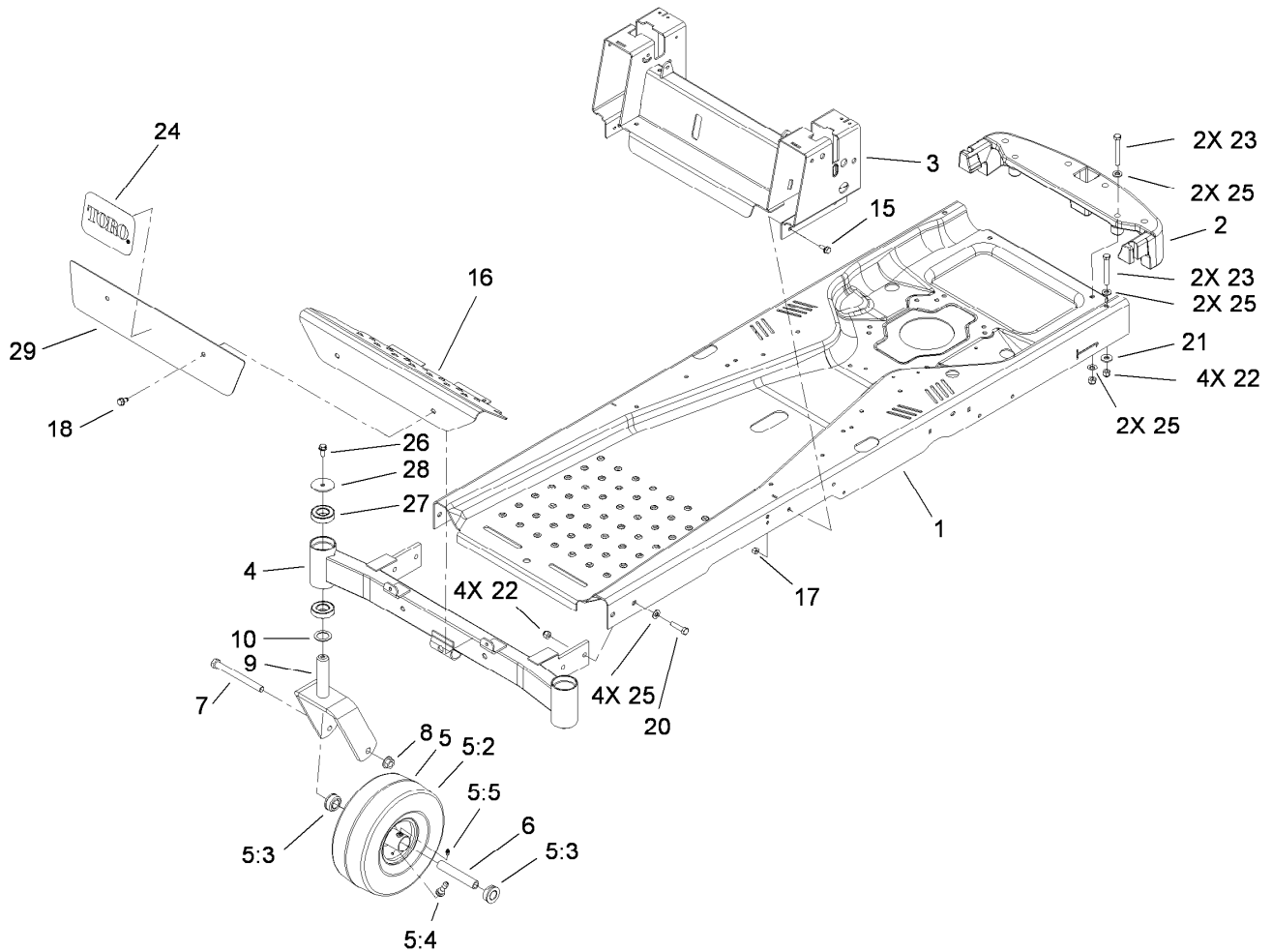
AR: as required
ASM: assembly
BBC: blade brake clutch
CARR: carriage
CCW: counter clock wise
CW: clockwise
DEG: degrees
ECM: electronic control module
EXT: external
FH: flat head
GA: gauge
HD: heavy-duty
HF: hex flange
HH: hex head
HHF: hex head flange
HHFTF: hex head flange thread forming
HJ: hex jam
HLH: hex lag head
HOC: height-of-cut

HSBH: hex socket button head
HSFH: hex socket flat head
HSH: hex socket head
HWH: hex washer head
HWHTF: hex washer head thread forming
HYD: hydraulic
LH: left hand
NI: nylon insert
NPTF: national pipe thread fine
PFH: phillips flat head
PPH: phillips pan head
PPHTF: phillips pan head thread forming
PRH: phillips round head
PTH: phillips truss head
PTO: power-take-off
RH: right hand
ROPS: roll-over protection system
RRB: rear roller brush

SFH: slotted fillister head
SHH: slotted hex head
SHWH: slotted hex washer head
SPH: slotted pan head
SQH: square head
SRH: slotted round head
STD: standard
TAP: self tapping
TTH: torx truss head

Contents

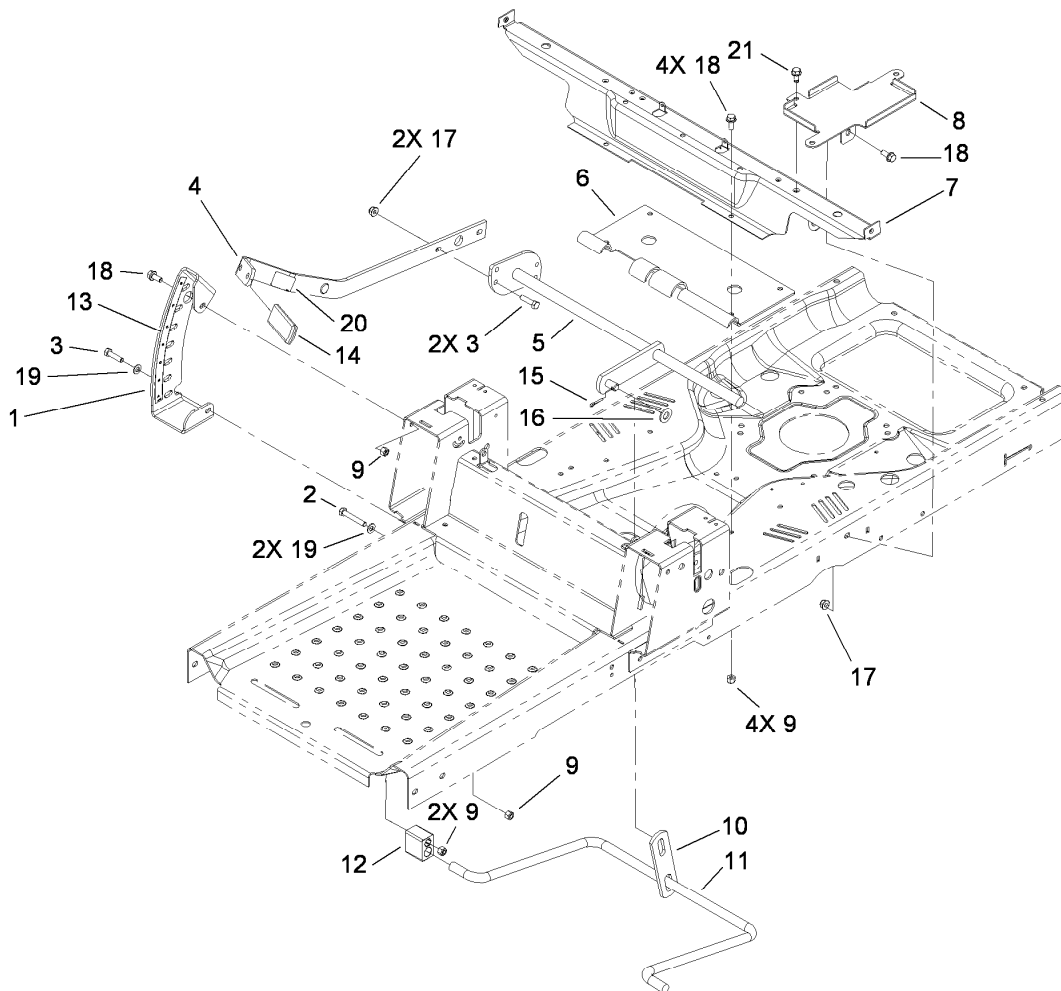
Frame Assembly.....	4
Deck Lift and Seat Support Assembly.....	5
Seat Assembly.....	6
Control Assembly.....	7
Hydro Drive Assembly.....	8
RH Hydro Assembly No. 110-6771.....	9
LH Hydro Assembly No. 110-6770.....	10
Engine and Clutch Assembly.....	11
Styling and Fuel System Assembly.....	12
50 Inch Deck Assembly.....	13
50 Inch Deck Assembly No. 117-1291.....	14
50 Inch Deck, Spindle and Drive Belt Assembly.....	15
Electrical Assembly.....	16
Crankshaft Assembly Kohler SV720-0039.....	17
Crankcase Assembly Kohler SV720-0039.....	18
Oil Pan and Lubrication Assembly Kohler SV720-0039.....	19
Head, Valve and Breather Assembly Kohler SV720-0039.....	20
Ignition and Electrical Assembly Kohler SV720-0039.....	22
Blower Housing Assembly Kohler SV720-0039.....	23
Starter Assembly Kohler SV720-0039.....	24
Fuel System Assembly Kohler SV720-0039.....	25
Engine Control Assembly Kohler SV720-0039.....	26
Air Intake and Filtration Assembly Kohler SV720-0039.....	27
Gaskets Kohler SV720-0039.....	28
Decals Kohler SV720-0039.....	29
Attachments and Accessories.....	30



Frame Assembly

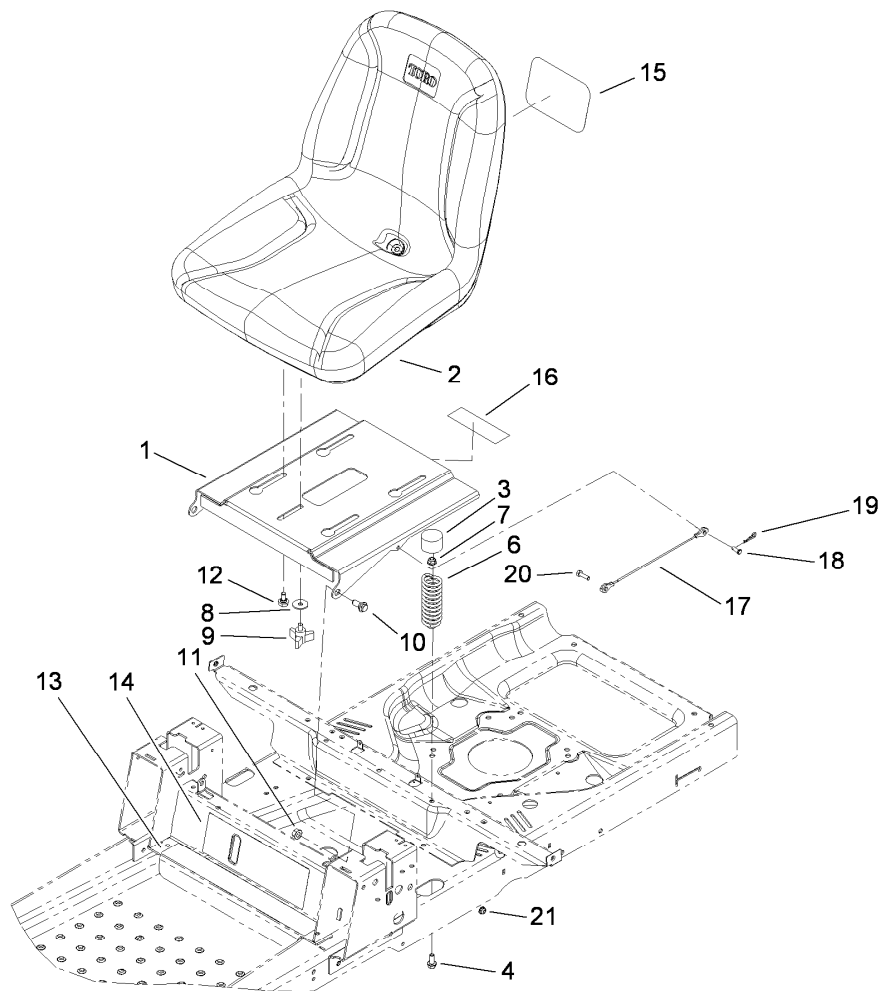
Ref.	Part Number	Qty.	Description	Ref.	Part Number	Qty.	Description
1	115-2464-01	1	Frame	15	3234-47	7	Screw-HHF
2	110-6899-03	1	Bumper-Rear	16	108-7855-03	1	Footrest
3	115-5041-03	1	Seat Pivot/Control ASM	17	3296-29	7	Nut-Lock, NI
4	117-1160-01	1	Front Axle ASM	18	32104-32	2	Screw-HWH
5	115-2554	2	Wheel And Tire ASM	20	323-8	4	Screw-HH
5:2	115-2557	1	Tire-Smooth	21	80-6990	2	Washer-Hardened
5:3	114-1640	2	Bushing-Flange	22	3296-39	8	Nut-Lock, NI
5:4	232-27	1	Stem-Valve	23	323-13	4	Screw-HH
5:5	302-5	1	Fitting-Grease	24	105-8278	1	Decal
5:99	117-1234	1	Tube-Inner ●	25	3256-24	10	Washer-Flat
6	104-3667	2	Spanner-Wheel	26	3234-47	2	Screw-HHF
7	325-22	2	Screw-HH	27	109-3678	4	Bearing-Ball
8	3296-45	2	Nut-Lock, NI	28	109-3724	2	Washer
9	110-6634-01	2	Caster Fork ASM	29	117-1237-03	1	Plate-Footrest
10	10-8110	2	Washer-Thrust				

● Not illustrated



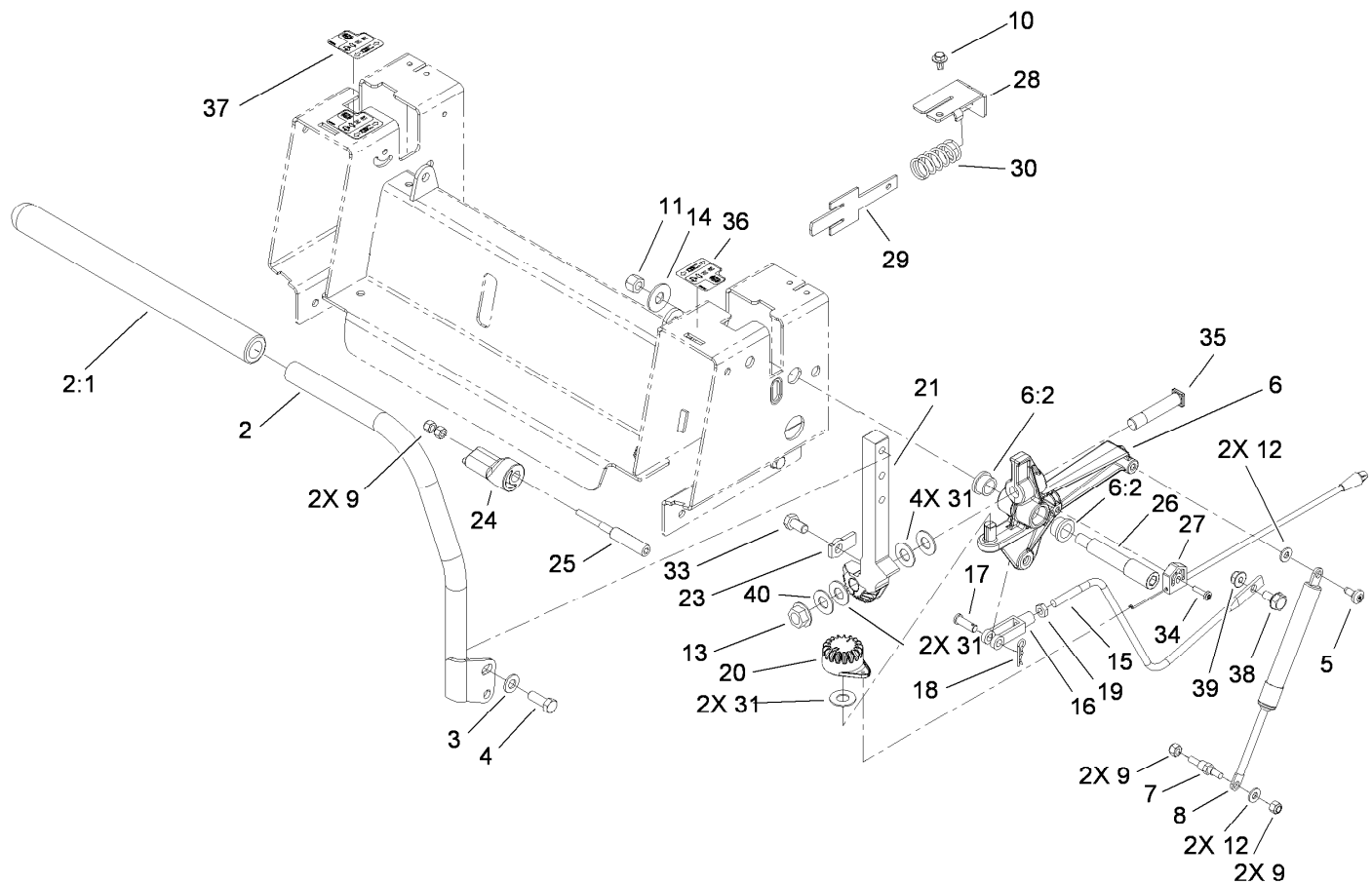
Deck Lift and Seat Support Assembly

<i>Ref.</i>	<i>Part Number</i>	<i>Qty.</i>	<i>Description</i>
1	112-4027-03	1	Sector-HOC
2	322-10	2	Screw-HH
3	322-6	3	Screw-HH
4	112-3960-03	1	Lift Arm ASM
5	108-7841-03	1	Lift Lever ASM
6	110-6800-03	1	Plate-Lift
7	110-6805-03	1	Bracket-Seat/Pods
8	110-1937-03	1	Tray-Battery
9	3296-29	8	Nut-Lock, NI
10	108-7840	1	Link-Lift
11	108-7839	1	Arm-Lift, Rear
12	108-7845	2	Block-Pivot
13	112-9802	1	Decal-HOC
14	105-3450	1	Grip-Lever, Lift
15	3272-10	1	Pin-Cotter
16	3256-26	1	Washer-Flat
17	104-8300	3	Nut-Flange, NI
18	3234-47	6	Screw-HHF
19	3256-23	3	Washer-Flat
20	106-8743	1	Decal-HOC
21	32104-32	1	Screw-HWH



Seat Assembly

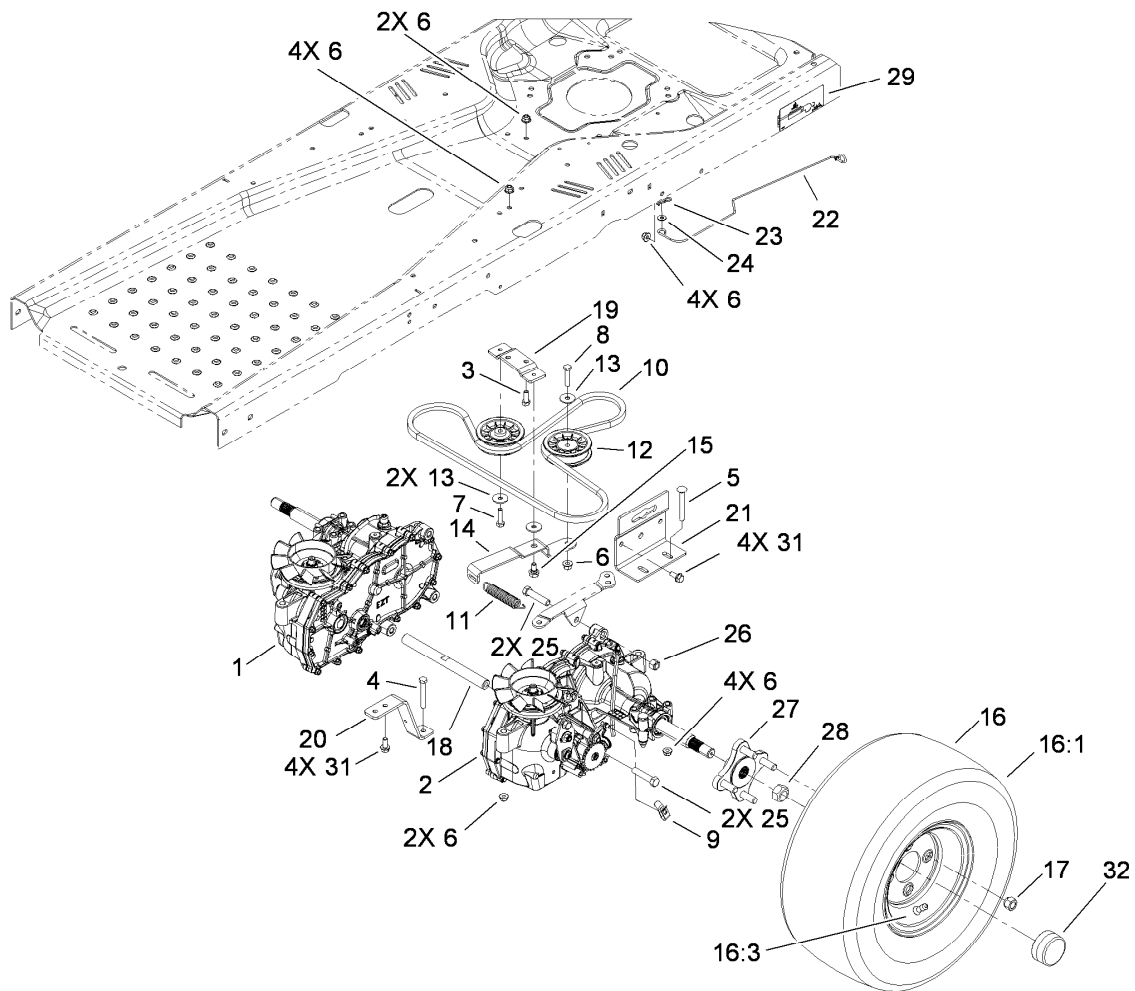
Ref.	Part Number	Qty.	Description
1	115-2465-03	1	Base-Seat
2	117-1226	1	Seat-18 Inch
3	701178	2	Cap-Protector
4	3234-47	2	Screw-HHF
6	92-7054	2	Spring-Compression
7	104-8300	2	Nut-Flange, NI
8	5-4460	1	Washer-Pivot
9	92-9674	1	Knob
10	94-7582	2	Bolt-Shoulder
11	32128-21	2	Nut-HF
12	37-8771	4	Bolt-Shoulder
13	115-2469	1	Decal-Danger
14	117-1224	1	Decal
15	99-4693	1	Decal
16	106-8717	1	Decal-Service
17	109-2628	1	Cable-Stop, Seat
18	60-1730	1	Pin-Clevis
19	1-806003	1	Pin-Cotter, Hair
20	321-5	1	Screw-HH
21	104-7201	1	Nut-HF



Control Assembly

Ref.	Part Number	Qty.	Description	Ref.	Part Number	Qty.	Description
1	110-6814	1	RH Handle ASM ●	19	3220-2	2	Nut-Jam
1:1	108-6187	1	Grip ●	20	110-6845	2	Gear-Control
2	110-6815	1	LH Handle ASM	21	110-6783-03	1	Arm-Actuator, LH
2:1	108-6187	1	Grip	22	110-6782-03	1	Arm-Actuator, RH ●
3	3256-24	4	Washer-Flat	23	115-5023	2	Tab-Stop
4	323-6	4	Screw-HH	24	110-6873	2	Eccentric
5	112-4004	2	Screw-Shoulder	25	110-6874	2	Screw-Eccentric
6	110-6828	2	Activator Arm ASM	26	110-6875	2	Bolt-Shoulder
6:2	105-3455	2	Bushing	27	110-6858	2	Cable-Brake, Parking
7	110-6810	2	Stud-Damper	28	110-6751	2	Bracket-Return
8	103-2913	2	Damper-Control, Motion	29	110-6750	2	Plate-Return
9	3296-42	6	Nut-Lock, NI	30	110-6752	2	Spring-Compression
10	46-8560	2	Screw-HHF	31	110-6894	8	Washer-Pivot
11	3296-48	2	Nut-Lock, NI	33	323-4	2	Screw-HH
12	3256-22	4	Washer-Flat	34	110-0863	2	Screw-Torx
13	32128-23	2	Nut-HF	35	110-6784	2	Bolt-Shoulder
14	3256-5	2	Washer-Flat	36	112-9750	1	Decal-Control Lever, LH
15	110-6693	2	Link-Hydro	37	112-9751	1	Decal-Control Lever, RH
16	1-303105	2	Yoke-Adjustable	38	37-8771	2	Bolt-Shoulder
17	1-808280	2	Pin-Clevis	39	104-8300	2	Nut-Flange, NI
18	1-806003	2	Pin-Cotter, Hair	40	112-9771	2	Washer-Teflon

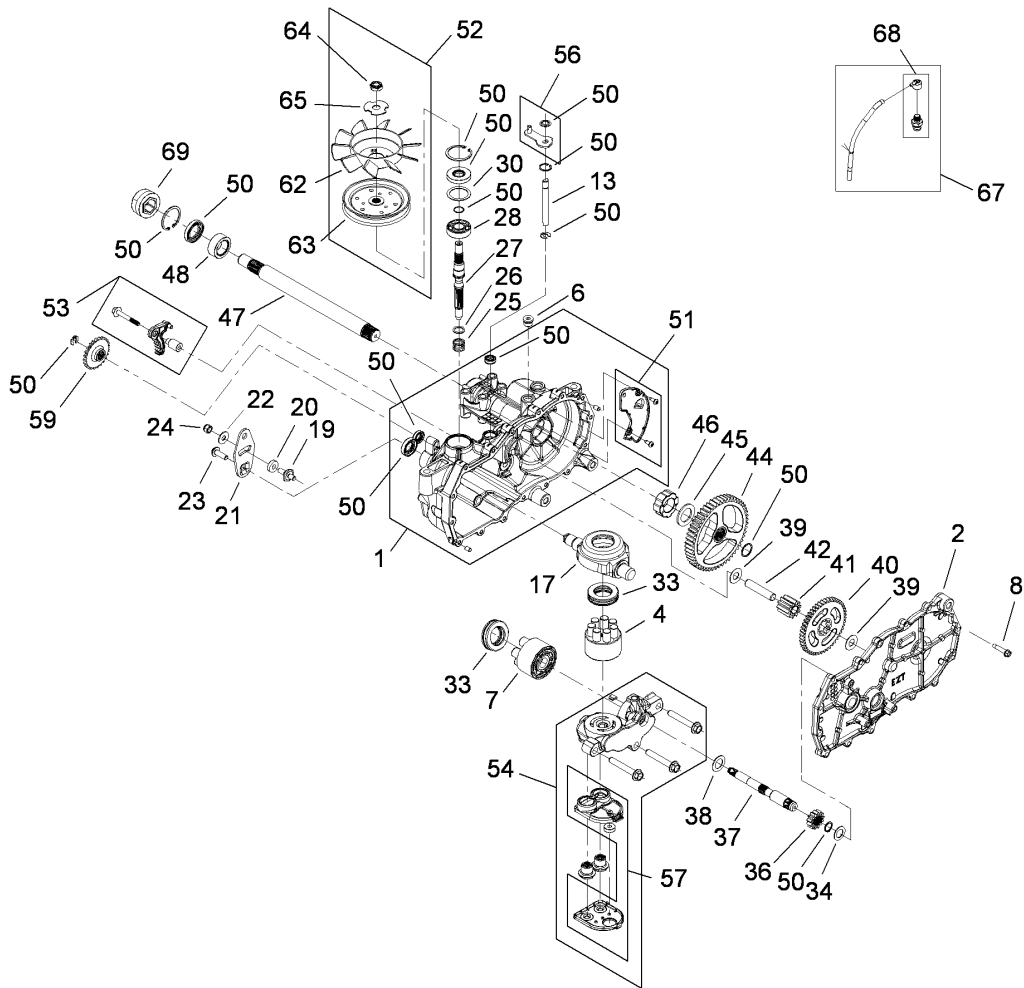
● Not illustrated



Hydro Drive Assembly

Ref.	Part Number	Qty.	Description	Ref.	Part Number	Qty.	Description
1	110-6771	1	Hydro-RH	16:99	232-37	1	Tube ●
2	110-6770	1	Hydro-LH	17	242-50	8	Nut-Lug
3	322-4	2	Screw-HH	18	110-6807	1	Shaft-Cross
4	322-11	2	Screw-HH	19	110-1926	1	Plate-Pivot
5	3230-9	4	Screw-CARR	20	110-6806-03	2	Strap-Torque
6	104-8300	17	Nut-Flange, NI	21	110-6878-03	2	Support-Hydro
7	322-6	1	Screw-HH	22	110-6787	2	Rod-Bypass
8	322-7	1	Screw-HH	23	1-806003	2	Pin-Cotter, Hair
9	110-6677	2	Clip-Spring	24	3256-22	2	Washer-Flat
10	110-6774	1	V-Belt	25	324-8	4	Screw-HH
11	63-1590	1	Spring-Idler	26	3296-48	2	Nut-Lock, NI
12	110-6775	2	Pulley-Idler	27	112-3979	2	Hub ASM
13	5-4460	3	Washer-Pivot	28	112-3982	2	Nut-Lock
14	110-1925	1	Arm-Idler	29	114-8532	1	Decal-Transport, LH
15	37-8771	1	Bolt-Shoulder	30	114-8531	1	Decal-Transport, RH ●
16	110-6883	2	Wheel And Tire ASM	31	3234-47	8	Screw-HHF
16:1	110-6887	1	Tire	32	115-5057	2	Cover-Nut, Axle
16:3	232-27	1	Stem-Valve				

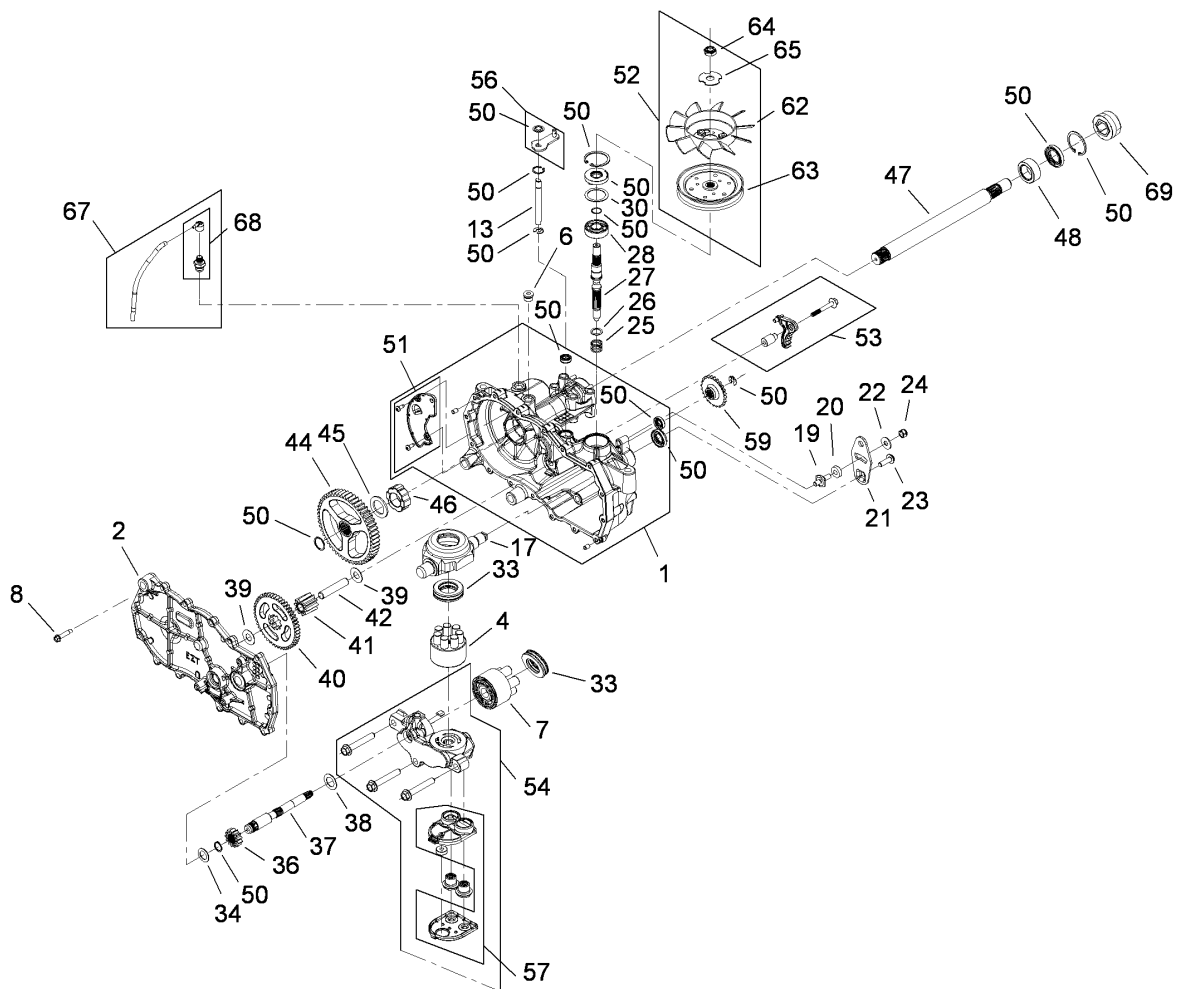
● Not illustrated



RH Hydro Assembly No. 110-6771

Ref.	Part Number	Qty.	Description	Ref.	Part Number	Qty.	Description
1	114-1630	1	RH Main Housing ASM	40	104-5317	1	Gear
2	114-1631	1	RH Side ASM	41	104-5318	1	Gear-Jackshaft, 10T
4	110-8561	1	Pump Block ASM	42	104-5329	1	Pin-Jackshaft
6	104-2189	1	Plug-Thread, Straight	44	112-9855	1	Gear-52T, Bull
7	103-2666	1	Cylinder Block Kit	45	112-9856	1	Washer
8	104-5305	16	Screw-HHF	46	112-9857	1	Bearing-Sleeve
13	106-8678	1	Rod-Bypass	47	112-9858	1	Shaft-Axle
17	104-5304	1	Swashplate-Trunnion	48	112-9859	1	Bushing-Axle
19	104-2116	1	Stud	50	106-8686	1	Seal Kit
20	112-9853	1	Puck-Friction	51	106-8697	1	RH Expansion Plate Kit
21	106-8747	1	Arm-Control	52	106-8698	1	Fan Pulley Kit
22	5-4460	1	Washer-Pivot	53	114-1633	1	Brake Arm Kit
23	107-2488	1	Screw	54	112-9861	1	RH Center Section Filter Kit
24	105-1872	1	Nut	55	104-2147	1	Sealant ●
25	94-1936	1	Spring-Block	56	107-2489	1	Bypass Arm Kit
26	94-1937	1	Washer-Thrust, Block	57	114-1634	1	Filter Kit
27	104-5306	1	Shaft-Input	59	106-8694	1	Disc-Brake, Cog
28	104-5311	1	Bearing-Ball	62	110-8566	1	Fan-6 Inch, 10 Blade
30	104-5308	1	Spacer	63	104-1754	1	Pulley
33	94-6922	2	Bearing-Thrust	64	105-1875	1	Nut-Lock
34	104-5339	1	Washer-Flat	65	107-9122	1	Washer-Slotted
36	104-5316	1	Gear-Pinnion, 13T	67	112-9866	1	Breather Kit
37	114-1632	1	Shaft-Motor	68	114-1635	1	Breather ASM
38	104-5360	1	Washer-Shaft, Motor	69	115-5057	1	Cover-Nut, Axle
39	94-1933	2	Washer				

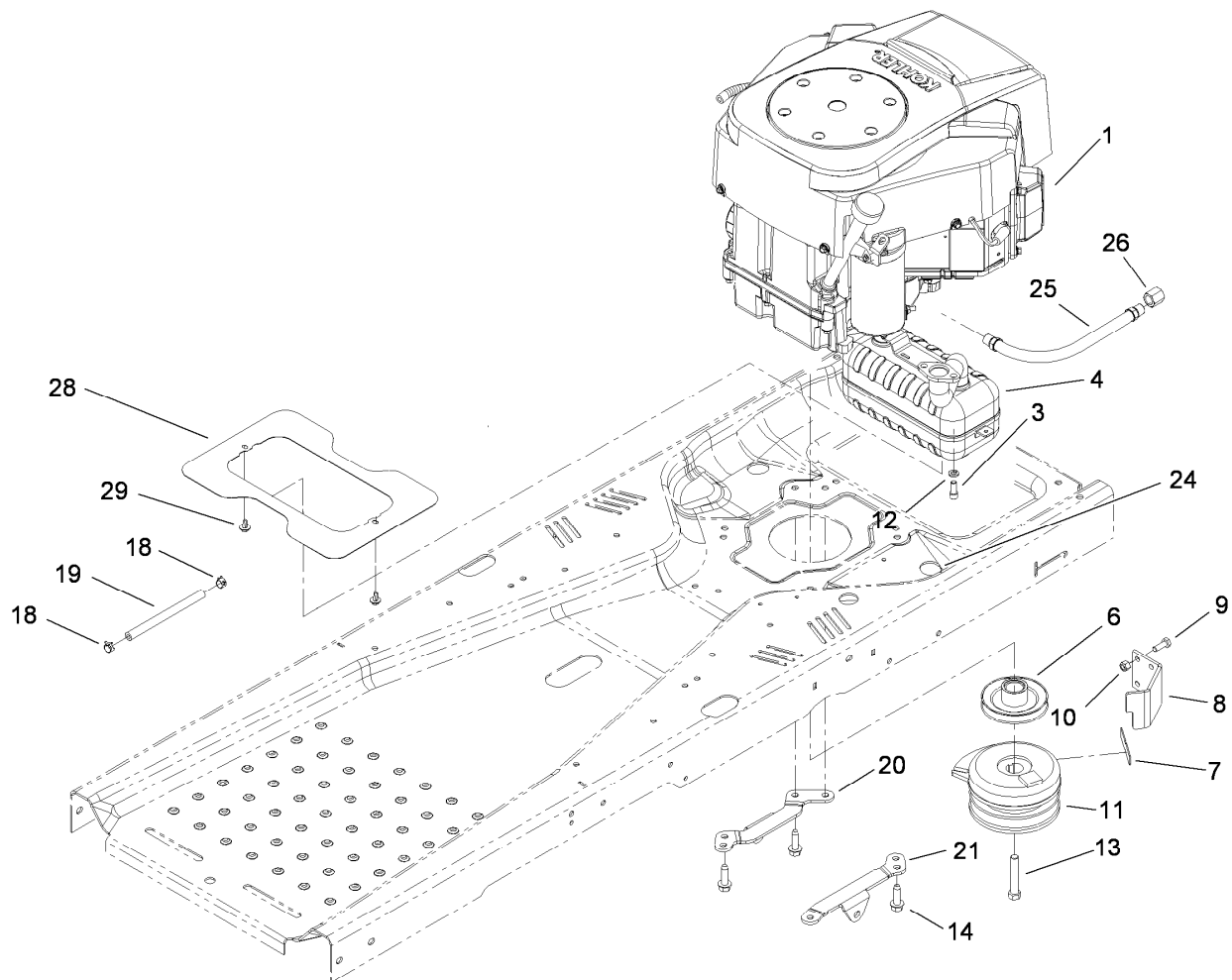
● Not illustrated



LH Hydro Assembly No. 110-6770

Ref.	Part Number	Qty.	Description	Ref.	Part Number	Qty.	Description
1	114-1636	1	LH Main Housing ASM	40	104-5317	1	Gear
2	114-1637	1	LH Side ASM	41	104-5318	1	Gear-Jackshaft, 10T
4	110-8561	1	Pump Block ASM	42	104-5329	1	Pin-Jackshaft
6	104-2189	1	Plug-Thread, Straight	44	112-9855	1	Gear-52T, Bull
7	103-2666	1	Cylinder Block Kit	45	112-9856	1	Washer
8	104-5305	16	Screw-HHF	46	112-9857	1	Bearing-Sleeve
13	106-8678	1	Rod-Bypass	47	112-9858	1	Shaft-Axle
17	104-5304	1	Swashplate-Trunnion	48	112-9859	1	Bushing-Axle
19	104-2116	1	Stud	50	106-8686	1	Seal Kit
20	112-9853	1	Puck-Friction	51	106-8687	1	LH Expansion Plate Kit
21	106-8747	1	Arm-Control	52	106-8698	1	Fan Pulley Kit
22	5-4460	1	Washer-Pivot	53	114-1633	1	Brake Arm Kit
23	107-2488	1	Screw	54	112-9862	1	LH Center Section Filter Kit
24	105-1872	1	Nut	55	104-2147	1	Sealant ●
25	94-1936	1	Spring-Block	56	107-2489	1	Bypass Arm Kit
26	94-1937	1	Washer-Thrust, Block	57	114-1634	1	Filter Kit
27	104-5306	1	Shaft-Input	59	106-8694	1	Disc-Brake, Cog
28	104-5311	1	Bearing-Ball	62	110-8566	1	Fan-6 Inch, 10 Blade
30	104-5308	1	Spacer	63	104-1754	1	Pulley
33	94-6922	2	Bearing-Thrust	64	105-1875	1	Nut-Lock
34	104-5339	1	Washer-Flat	65	107-9122	1	Washer-Slotted
36	104-5316	1	Gear-Pinnion, 13T	67	112-9866	1	Breather Kit
37	114-1632	1	Shaft-Motor	68	114-1635	1	Breather ASM
38	104-5360	1	Washer-Shaft, Motor	69	115-5057	1	Cover-Nut, Axle
39	94-1933	2	Washer				

● Not illustrated

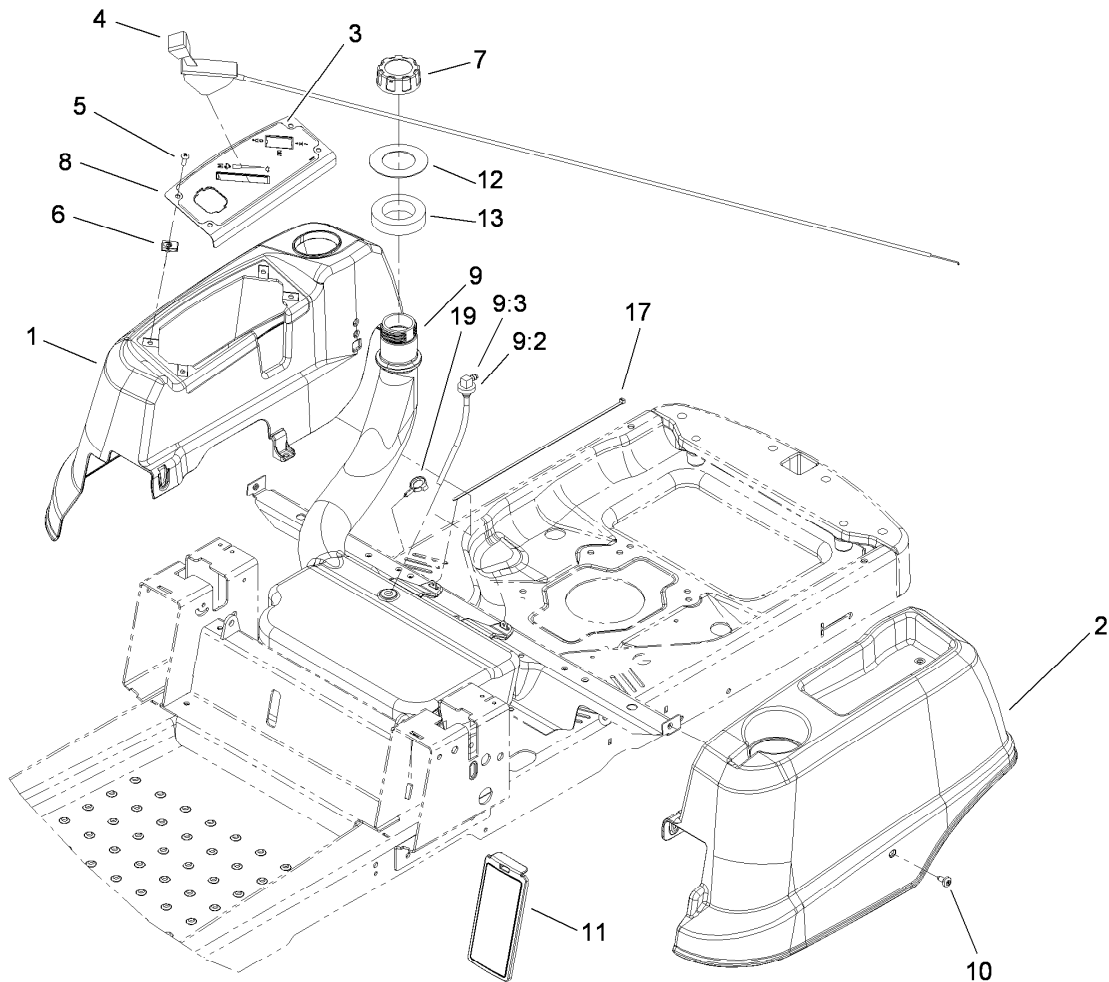


Engine and Clutch Assembly

Ref.	Part Number	Qty.	Description
1		1	Engine-Kohler, Sv720-0039 ●■
3	3274-10	4	Screw-HSH
4	117-1271	1	Muffler-Kohler Twin
6	114-1622	1	Pulley-Engine
7	112-4033	1	Bumper-Pad
8	110-6896	1	Stop-Clutch
9	322-4	2	Screw-HH
10	3296-29	2	Nut-Lock, NI
11	110-6766	1	Clutch-Electric, PTO
12	3253-4	4	Washer-Lock
13	3212-11	1	Screw-HH
14	32144-109	4	Screw
18	2412-98	2	Clamp
19	107-0589	1	Hose-Fuel
20	110-6798	1	Support-Hydro, RH
21	110-6799	1	Support-Hydro, LH
24	112-9849	1	Tubing-Convolutad
25	82-4201	1	HYD Hose ASM
26	288-10	1	Cap-Pipe
28	114-8544	1	Shield-Heat
29	46-8560	2	Screw-HHF

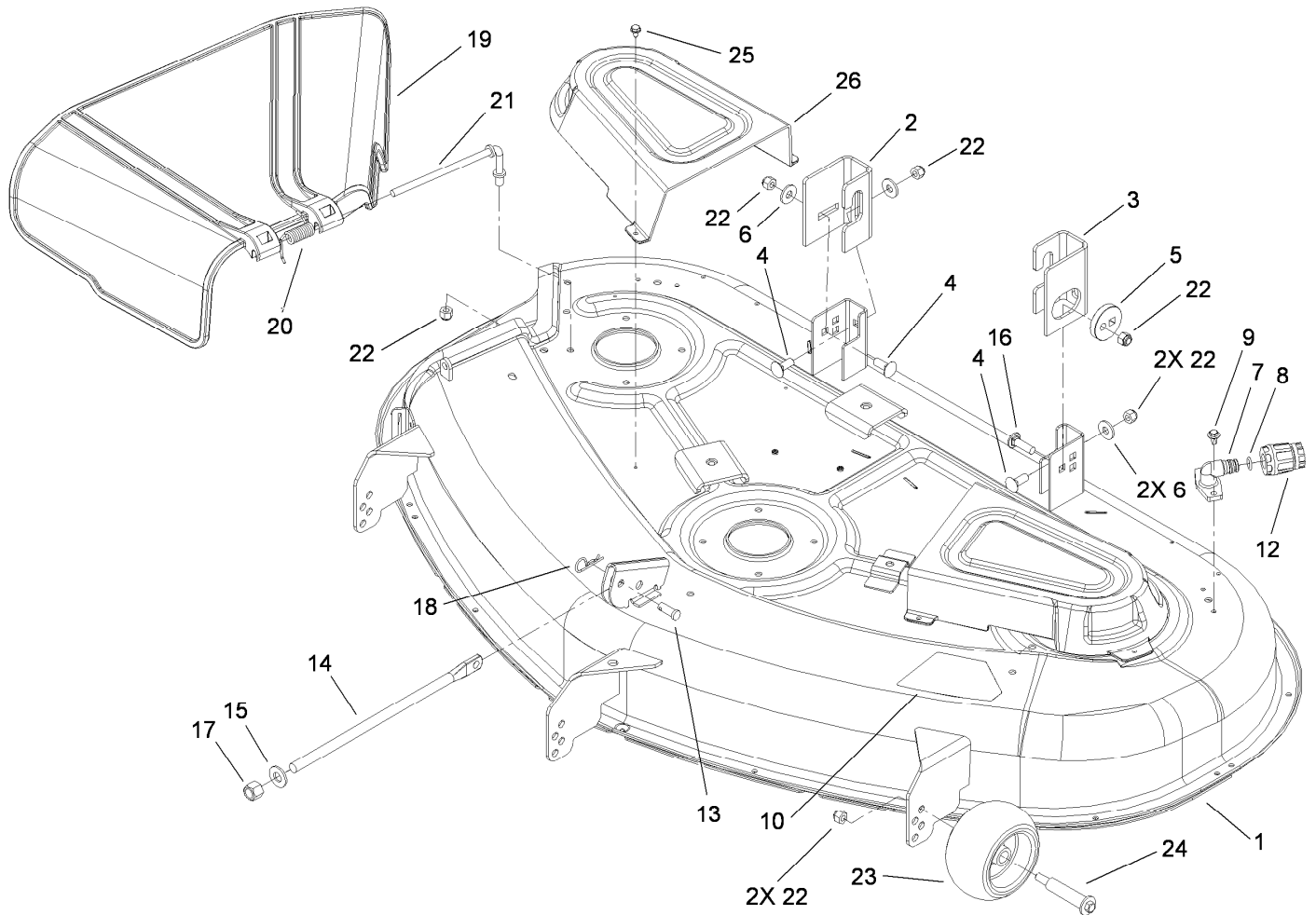
● Not serviced separately

■ Obtain parts from www.kohlerplus.com



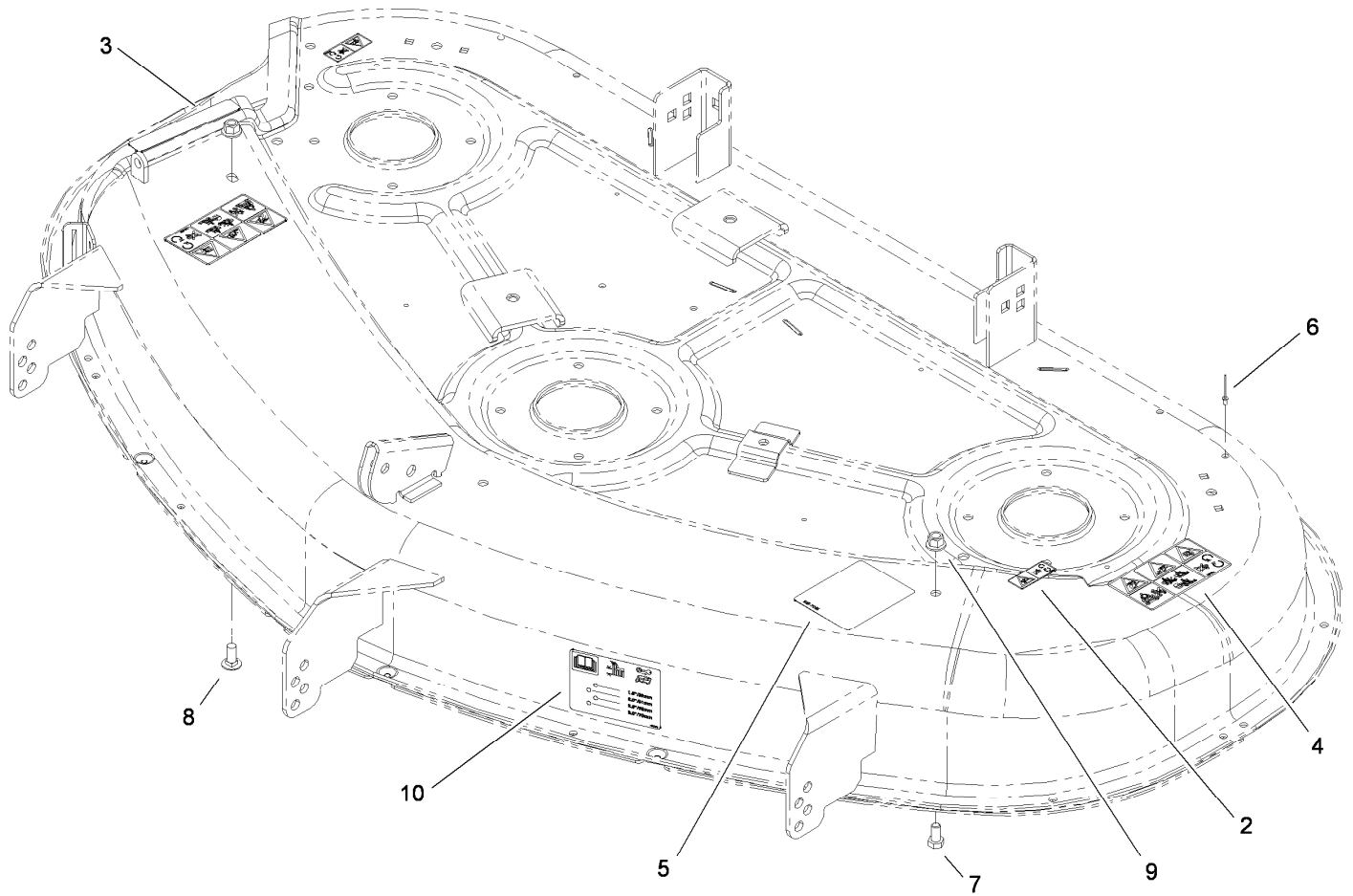
Styling and Fuel System Assembly

<i>Ref.</i>	<i>Part Number</i>	<i>Qty.</i>	<i>Description</i>
1	117-1219	1	Pod-RH
2	117-1220	1	Pod-LH
3	115-2500	1	Decal-Panel, Control
4	117-1295	1	Cable-Throttle/Choke
5	3258-166	4	Screw-PRH
6	107069	4	Clip
7	93-7198	1	Gas Cap ASM
8	110-1927-03	1	Panel-Control
9	110-6890	1	Fuel Tank ASM
9:2	46-6560	1	Bushing
9:3	95-3970	1	Fitting-90 Degree
10	112-4004	6	Screw-Shoulder
11	110-6786	2	Cover-Control
12	112-9760	1	Washer-Rubber
13	55-9310	1	Seal-Foam
17	100-9064	1	Tie-Cable
19	105-1853	1	Clamp-Hose



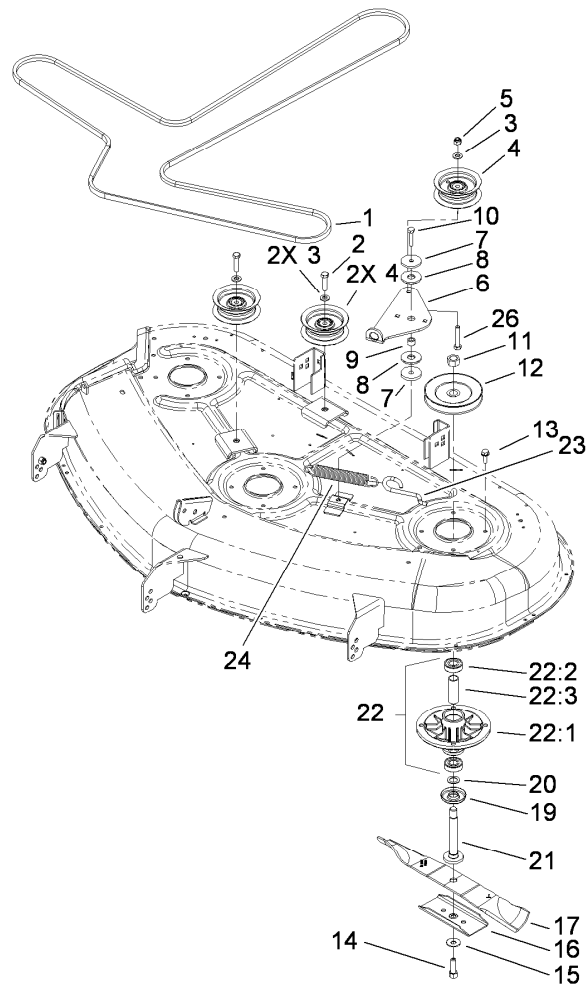
50 Inch Deck Assembly

<i>Ref.</i>	<i>Part Number</i>	<i>Qty.</i>	<i>Description</i>	<i>Ref.</i>	<i>Part Number</i>	<i>Qty.</i>	<i>Description</i>
1	117-1291	1	50 Inch Deck ASM	15	87-7270	1	Washer-Thrust
2	108-7836	1	Bracket-Hanger, Right Rear	16	3231-28	1	Screw-CARR
3	108-7838	1	Bracket-Hanger, Left Rear	17	3296-23	1	Nut-Lock, NI
4	3231-2	3	Screw-CARR	18	9335054	1	Pin-Hair
5	112-3980	1	Eccentric	19	108-7895	1	Deflector-50 Inch
6	80-6990	3	Washer-Hardened	20	110-6694	1	Spring-Torsion
7	95-2747	2	Fitting-Washout	21	112-3950	1	Rod-Pivot
8	46-6290	2	O-Ring, Seal	22	3296-39	8	Nut-Lock, NI
9	46-8560	4	Screw-HHF	23	1-603299	3	Roller-Scalp, Anti
10	117-1223	1	Decal-50"	24	112-3977	3	Bolt-Shoulder
12	95-3270	1	Connector-Hose	25	32104-76	6	Screw
13	1-808284	1	Pin-Clevis	26	108-7890	2	Cover-Belt
14	108-7847	1	Rod-Lift				



50 Inch Deck Assembly No. 117-1291

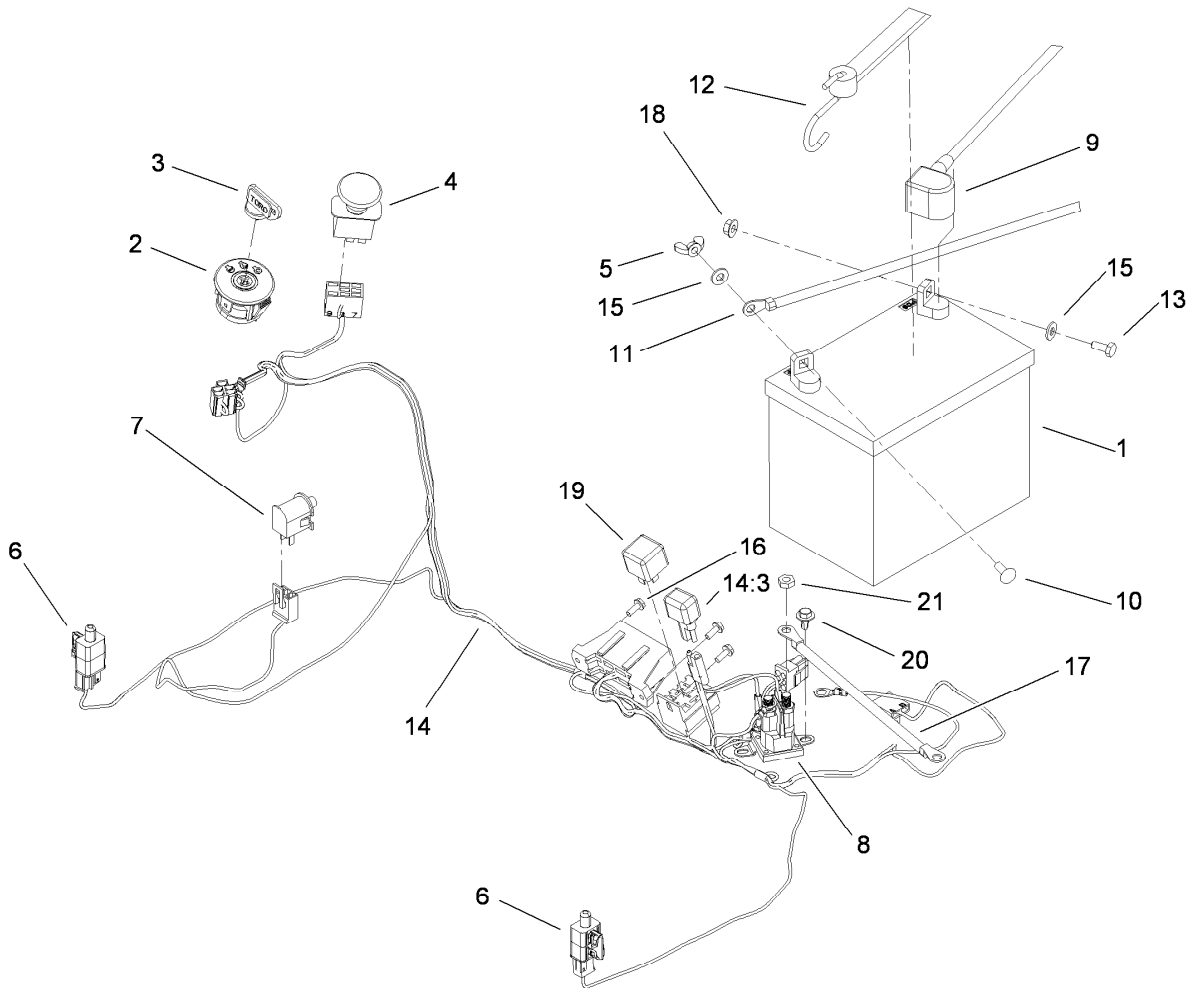
<i>Ref.</i>	<i>Part Number</i>	<i>Qty.</i>	<i>Description</i>
2	114-1606	2	Decal-Danger, Pulley
3	93-7009	1	Decal-Danger, Deflector
4	110-6691	2	Decal-Danger
5	99-3943	1	Decal-Routing, Belt
6	3290-282	2	Rivet-Blind
7	322-2	1	Screw-HH
8	3230-23	1	Screw-CARR
9	104-8300	2	Nut-Flange, NI
10	112-9840	1	Decal-Scalp, Anti



50 Inch Deck, Spindle and Drive Belt Assembly

Ref.	Part Number	Qty.	Description	Ref.	Part Number	Qty.	Description
1	110-6892	1	V-Belt	15	3290-465	3	Washer-Belleville
2	323-9	2	Screw-HH	16	106-2248-03	3	Stiffener-Blade
3	3256-24	3	Washer-Flat	17	110-6837-03	3	Blade-17.5 Inch, High Lift
4	106-2175	3	Pulley-Idler, Flat	19	80-4360	3	Shield-Bearing
5	3296-39	1	Nut-Lock, NI	20	80-4380	3	Spacer
6	114-8540	1	Arm-Idler	21	110-6866	3	Shaft-Spindle
7	110-9981	2	Washer-Plain	22		3	Spindle ASM ●
8	114-0463	2	Washer-Friction, Composite	22:1	88-4510	1	Housing-Spindle
9	115-4986	1	Spacer	22:2	100-1048	2	Bearing-Ball
10	323-8	1	Screw-HH	22:3	62-3661	1	Spacer
11	3219-6	3	Nut-Hex	23	112-3973	1	Hook-Return, Spring
12	110-6865	3	Pulley	24	1-603414	1	Spring-Extension
13	32144-41	12	Screw-Taptite	26	323-10	1	Screw-HH
14	26-0671	3	Screw-HH				

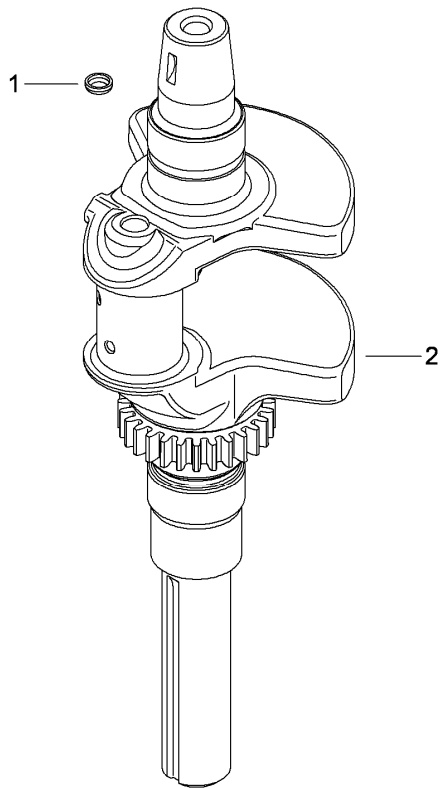
● Not serviced separately



Electrical Assembly

Ref.	Part Number	Qty.	Description
1	104-2493	1	Battery
2	110-6764	1	Switch-Ignition
3	63-8360	1	Key-Ignition
4	93-9998	1	Switch-PTO
5	32103-22	1	Nut-Wing
6	110-6765	2	Switch-Single Pole No
7	82-2190	1	Switch-Bail
8	117-1197	1	Solenoid
9	110-6794	1	Cable-Battery, Red
10	3229-1	1	Screw-CARR
11	110-6793	1	Cable-Battery, Black
12	104-2466	1	Holddown-Battery
13	321-3	1	Screw-HH
14	117-1276	1	Harness-Wiring
14:1	109103	1	Fuse-30 Amp ●
14:2	109102	1	Fuse-25 Amp ●
14:3	100-4918	1	Diode
15	3256-22	2	Washer-Flat
16	32144-1	3	Screw-Taptite
17	110-6792	1	Cable-Battery, Red
18	32128-33	2	Nut-HF
19	98-7249	1	Relay
20	46-8560	2	Screw-HHF
21	3220-2	2	Nut-Jam

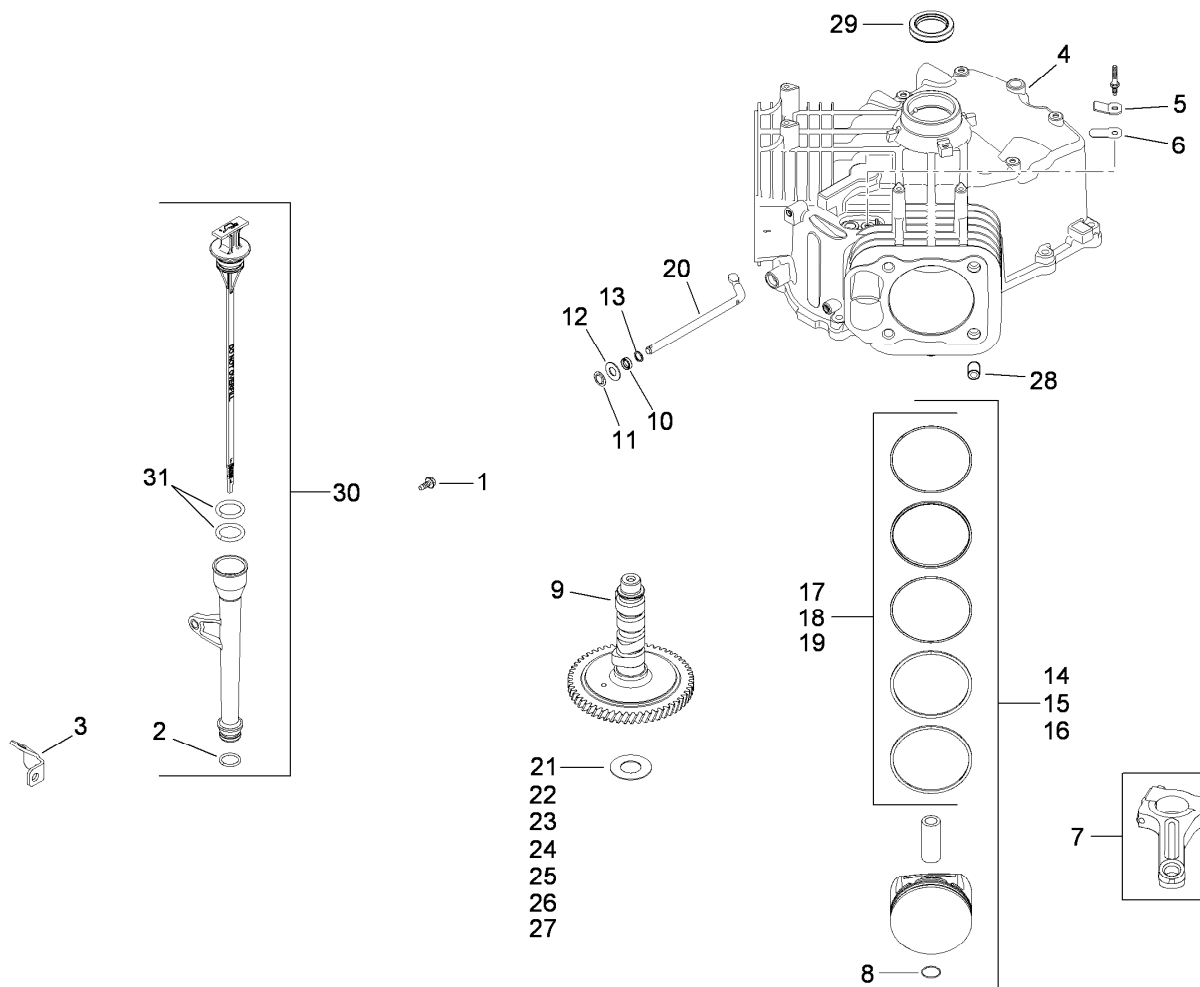
● Not illustrated



Crankshaft Assembly Kohler SV720-0039

<i>Ref.</i>	<i>Part Number</i>	<i>Qty.</i>	<i>Description</i>
1	52 139 09-S	1	Plug-Cup ●
2	32 014 04-S	1	Crankshaft ASM (Includes Ref 1) ●

● Obtain parts from www.kohlerplus.com

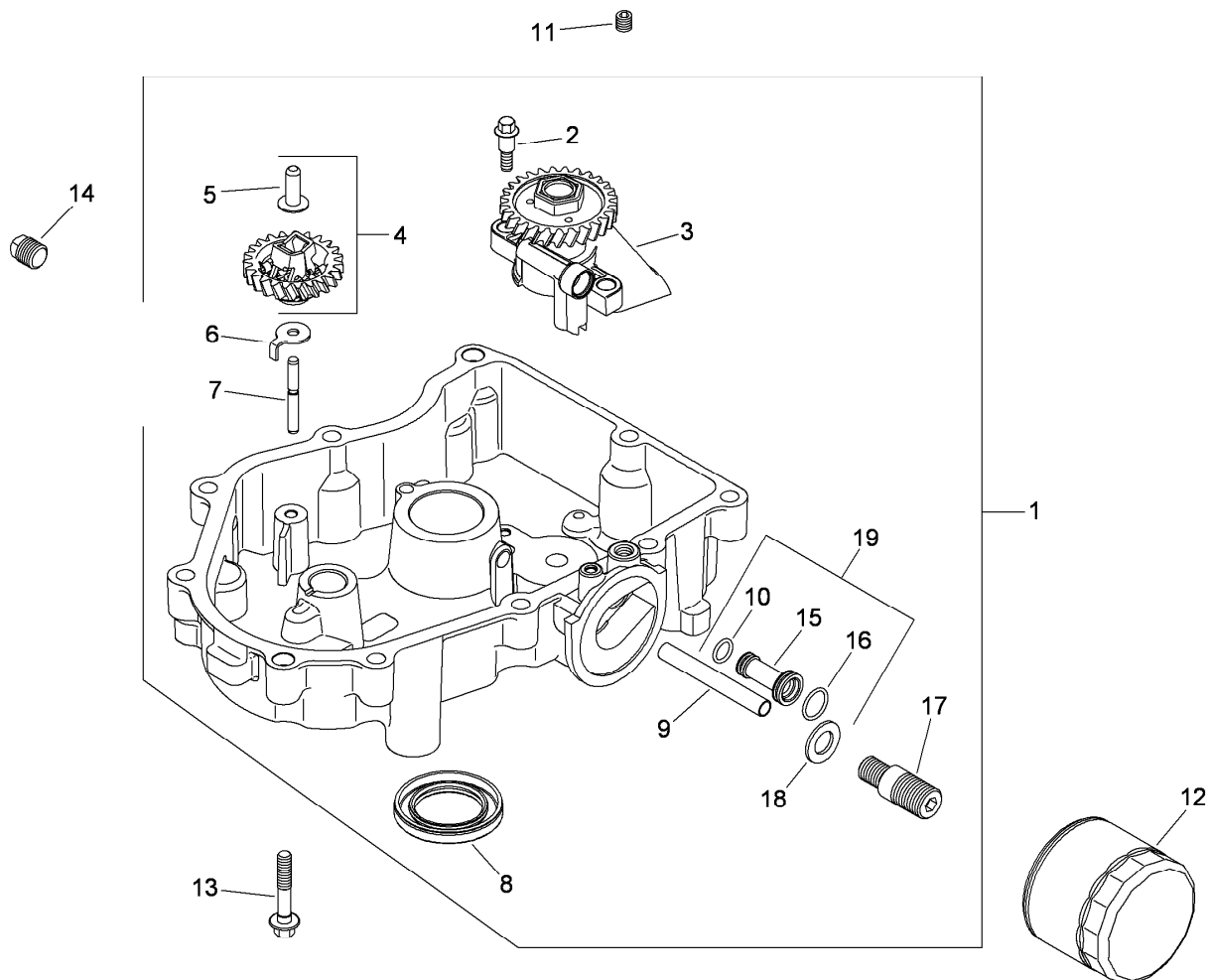


Crankcase Assembly Kohler SV720-0039

Ref.	Part Number	Qty.	Description	Ref.	Part Number	Qty.	Description
1	M-545013-S	1	Screw-Flg, Thd Frm (M5X0.8X13) ■	18	24 108 15-S	2	Piston Ring Set (.08) ■
2	12 153 01-S	1	O-Ring ■	19	24 108 16-S	2	Piston Ring Set (.25) ■
3	24 126 19-S	1	Bracket-Tube, Oil Fill ■	20	24 144 38-S	1	Shaft-Cross, Governor ■
4	32 522 03	1	Shortblock (Sv710-740) ■	21	12 422 07-S	1	Shim-Camshaft (White .028) ■
5	24 018 04-S	1	Retainer-Reed, Breather ■	22	12 422 08-S	1	Shim-Camshaft (Blue .03) ■
6	12 402 02-S	1	Reed-Breather ■	23	12 422 09-S	1	Shim-Camshaft (Red .032) ■
7	24 067 24-S	2	Rod-Connecting (STD) ■	24	12 422 10-S	1	Shim-Camshaft (Yellow .034) ■
8	24 018 01-S	4	Retainer-Pin, Piston ■	25	12 422 11-S	1	Shim-Camshaft (Green .036) ■
9	32 012 01-S	1	Camshaft Kit ■	26	12 422 12-S	1	Shim-Camshaft (Gray .038) ■
10	28 032 09-S	1	Seal-Cross Shaft, Governor ■	27	12 422 13-S	1	Shim-Camshaft (Black .04) ■
11	24 018 09-S	1	Retainer-Ring ■	28	24 380 16-S	6	Pin-Locating ■
12	M-931010-S	1	Washer-Flat (9Mm) ■	29	24 032 19-S	1	Seal-Oil (Helix Lip) ■
13	24 468 15-S	1	Washer-Flat (11/32) ■	30	32 755 04-S	1	Dipstick And Tube ASM (Includes Ref 2, 31) ■
14	25 874 01-S	2	Piston W/Ring Set (STD) (Includes Ref 8, 17) ■	31	20 153 01-S	2	O-Ring ■
15	25 874 02-S	2	Piston W/Ring Set (.08) (Includes Ref 8, 18) ■		25 357 14-S	1	Lubricant-Camshaft ■●
16	25 874 03-S	2	Piston W/Ring Set (.25) (Includes Ref 8, 19) ■				
17	24 108 14-S	1	Piston Ring Set (STD) ■				

● Not illustrated

■ Obtain parts from www.kohlerplus.com

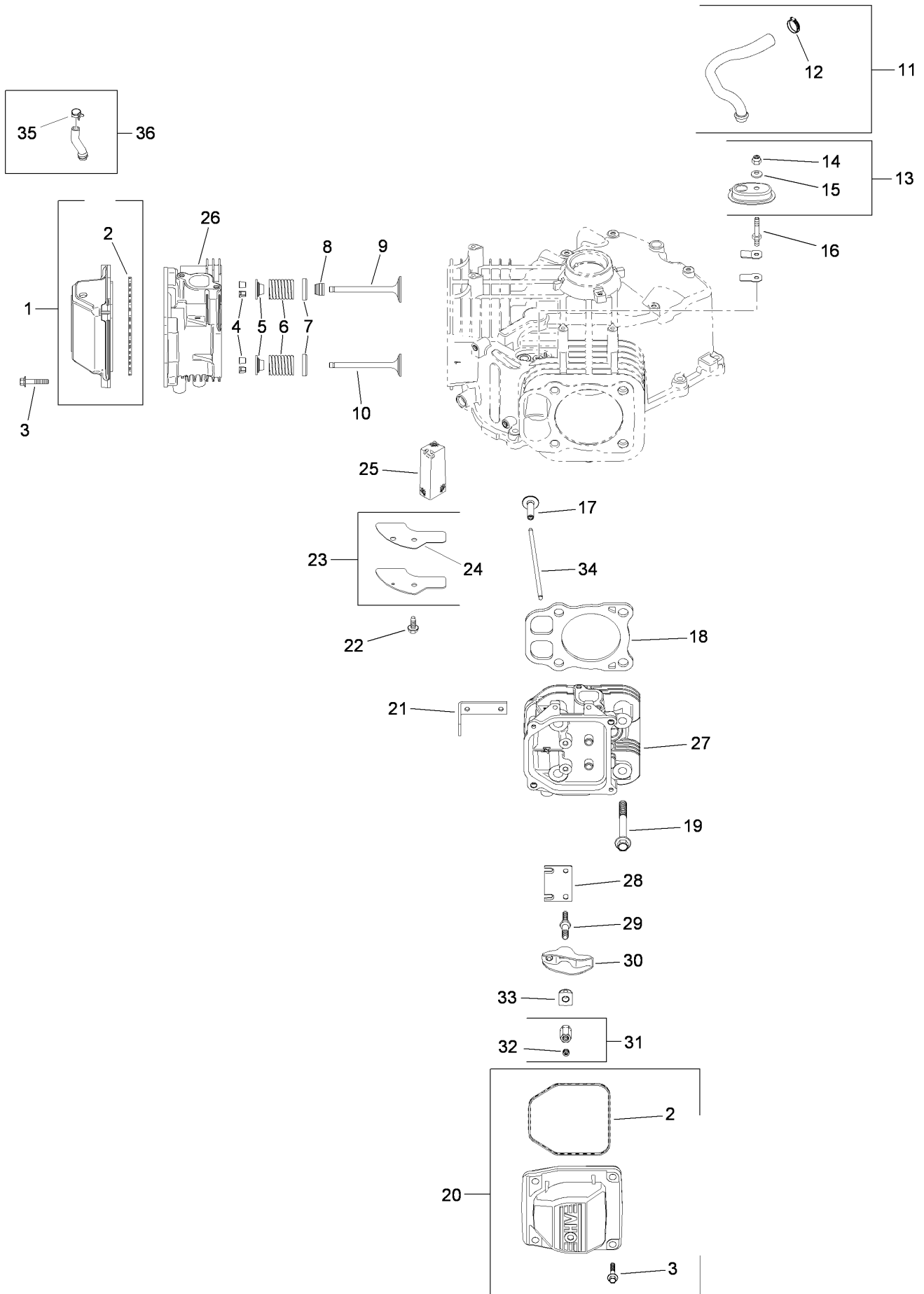


Oil Pan and Lubrication Assembly Kohler SV720-0039

Ref.	Part Number	Qty.	Description
1	32 199 14-S	1	Governor Gear W/Pin Kit (Includes Ref 2-10, 15-19) ●
2	32 086 01-S	2	Screw-Shoulder, Thd Frm (M6X1.0X26.5) ●
3	32 393 10-S	1	Oil Pump ASM ●
4	24 043 12-S	1	Governor Gear W/Pin Kit (Includes Ref 5) ●
5	12 380 01-S	1	Pin-Regulating, Governor ●
6	24 448 02-S	1	Tab-Locking ●
7	12 144 02-S	1	Shaft-Gear, Governor ●
8	25 032 06-S	1	Seal-Oil ●
9	32 123 01-S	1	Tube-Feed, Oil (Filter To Pan) ●
10	24 153 01-S	1	O-Ring ●
11	25 139 60-S	1	Plug-Pipe, Countersunk (1/8) ●
12	12 050 01-S	1	Filter-Oil ●
13	24 086 17-S	10	Screw-Flange (M8X1.25X45) ●
14	25 139 57-S	1	Plug-Pipe, Sq HD (3/8) ●
15	32 123 06-S	1	Tube-Feed, Oil ●
16	32 153 05-S	1	O-Ring ●
17	32 136 05-S	1	Nipple-Filter, Oil ●
18	32 468 02-S	1	Washer-Flat ●
19	32 123 09-S	1	Oil Feed Tube ASM (Includes Ref 10, 15, 16) ●

● Obtain parts from www.kohlerplus.com

Head, Valve and Breather Assembly Kohler SV720-0039

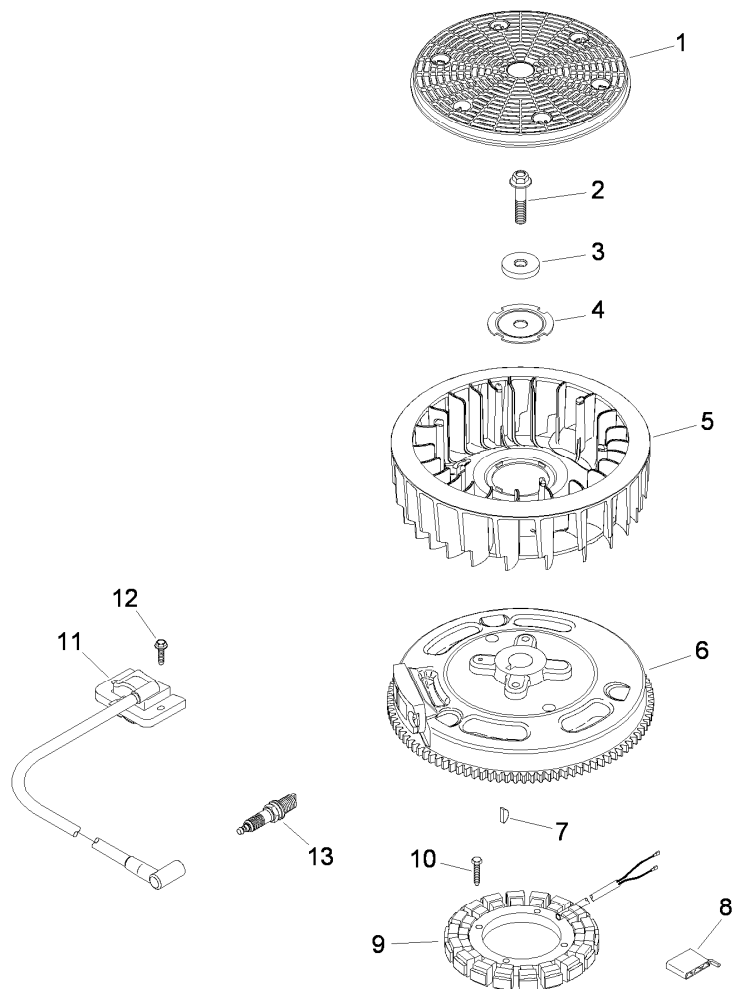


Head, Valve and Breather Assembly Kohler SV720-0039 (continued)

<i>Ref.</i>	<i>Part Number</i>	<i>Qty.</i>	<i>Description</i>	<i>Ref.</i>	<i>Part Number</i>	<i>Qty.</i>	<i>Description</i>
1	32 096 06-S	1	Breather Valve Cover Kit (Includes Ref 2) ■	21	25 445 01-S	1	Strap-Lifting ■
2	24 153 30-S	2	O-Ring ■	22	M-645016-S	1	Screw-Flange, Thread Forming (M6X1.0X16) ■
3	M-651030-S	8	Screw-Flange (M6X1.0X30) ■	23	32 096 04-S	1	Breather Cover Kit (Includes Ref 24) ■
4	12 755 03-S	4	Retainer Kit ■	24	32 041 01-S	1	Gasket-Cover, Breather ■
5	12 173 01-S	4	Cap-Spring, Valve ■	25	32 050 01-S	1	Filter-Breather ■
6	24 089 02-S	4	Spring-Valve ■	26	32 318 13-S	1	Cylinder Head No.1 ASM ■
7	235011-S	4	Retainer-Spring ■	27	32 318 14-S	1	Cylinder Head No.2 ASM ■
8	66 032 05-S	2	Seal-Stem, Valve ■	28	32 146 09-S	2	Plate-Guide ■
9	24 017 01-S	2	Valve-Intake (STD) ■	29	32 072 04-S	4	Stud-Rocker ■
10	24 016 01-S	2	Valve-Exhaust (STD) ■	30	32 186 03-S	4	Arm-Rocker ■
11	32 326 06-S	1	Breather Hose Kit (Includes Ref 12) ■	31	32 100 05-S	4	Hex Nut ASM (Includes Ref 32) ■
12	25 237 14-S	1	Clamp-Hose, Spring (1/2) ■	32	25 086 168-S	4	Screw-Set ■
13	32 081 02-S	1	Breather Housing Kit (Includes Ref 14, 15) ■	33	25 599 01-S	4	Pivot-Arm, Rocker ■
14	M-547050-S	1	Nut-Lock (M5X.8) ■	34	32 411 04-S	4	Rod-Push ■
15	32 468 01-S	1	Washer-Sealing ■	35	32 326 07-S	1	Fuel Pump Hose W/Clamp Kit (Includes Ref 36) ■
16	32 072 03-S	1	Stud-Cover, Breather ■	36	25 237 01-S	1	Clamp-Hose ■
17	32 019 02-S	4	Tappet Kit ■		24 041 49-S	1	Gasket-Exhaust ■ ●
18	32 841 01-S	2	Cylinder Head Gasket Kit ■		24 153 27-S	1	O-Ring ■ ●
19	12 086 16-S	8	Screw-Flange (M10X1.5X90) ■		32 755 03-S	2	Cylinder Head Hardware Kit ■ ●
20	24 755 141-S	1	Plain Rocker Cover Kit (Includes Ref 2, 3) ■				

● Not illustrated

■ Obtain parts from www.kohlerplus.com

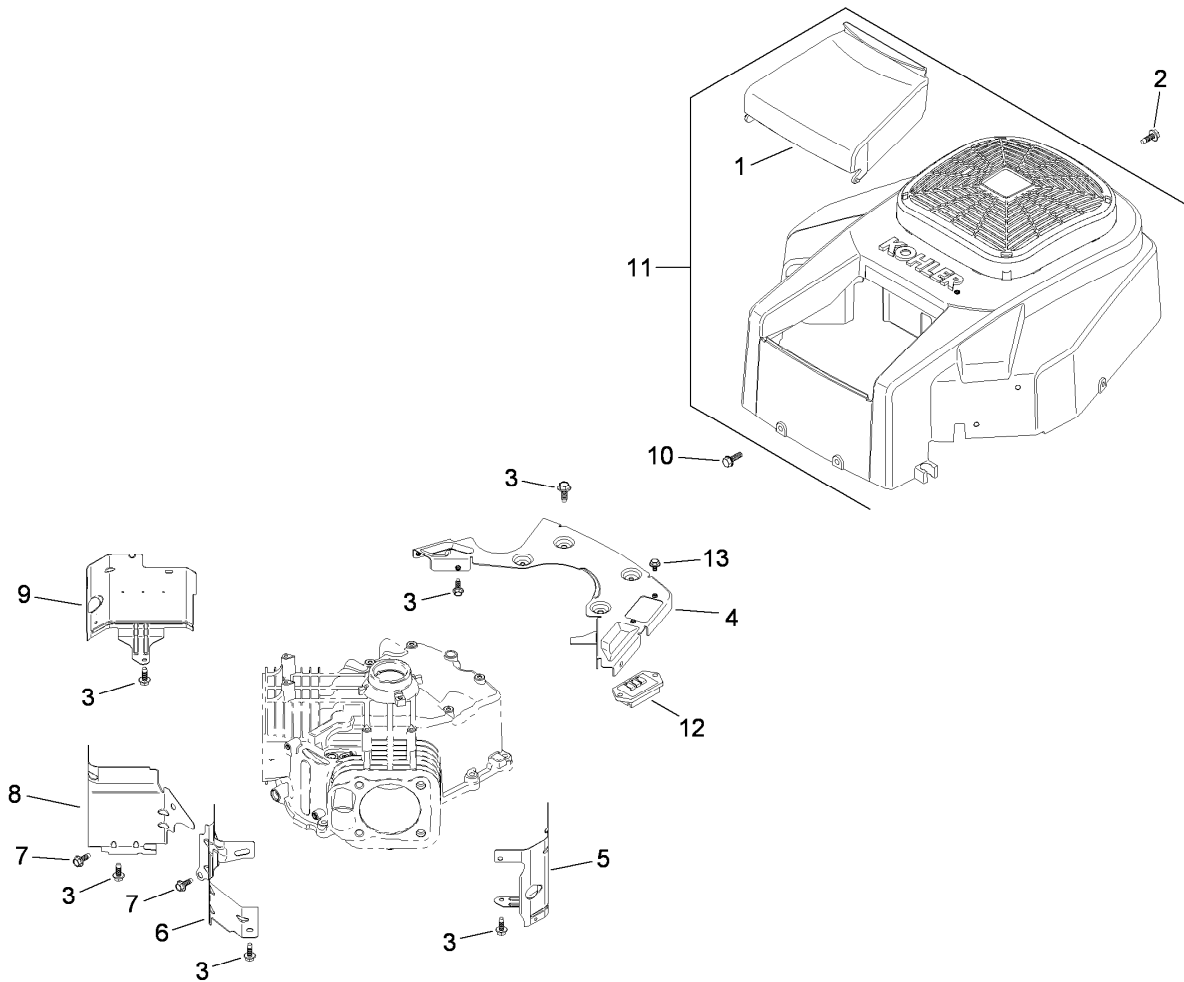


Ignition and Electrical Assembly Kohler SV720-0039

Ref.	Part Number	Qty.	Description
1	32 162 03-S	1	Screen-Grass ■
2	12 086 14-S	1	Screw-Flange (M10X1.5X45) ■
3	12 468 03-S	1	Washer-Flat (13/32) ■
4	20 146 05-S	1	Plate-Mounting, Fan ■
5	32 157 01-S	1	Fan ■
6	32 025 16-S	1	Flywheel ASM ■
7	X-42-15-S	1	Key (3/16 X 5/8) ■
8	25 155 41-S	1	Connector (3 Contact) ■
9	237878-S	1	15 Amp Stator Kit ■
10	M-548025-S	2	Screw-Thread Forming (M5X0.8X25) ■
11	25 584 05-S	2	Ignition Module ■
12	M-545020-S	4	Screw-Flange, Thread Forming (M5X.8X20) ■
13	25 132 14-S	2	Spark Plug (R F I) ■
	25 454 03-S	2	Tie-Wire ■●
	25 452 01-S	2	Terminal ■●
	32 176 14-S	1	Wire Harness Kit ■●

● Not illustrated

■ Obtain parts from www.kohlerplus.com

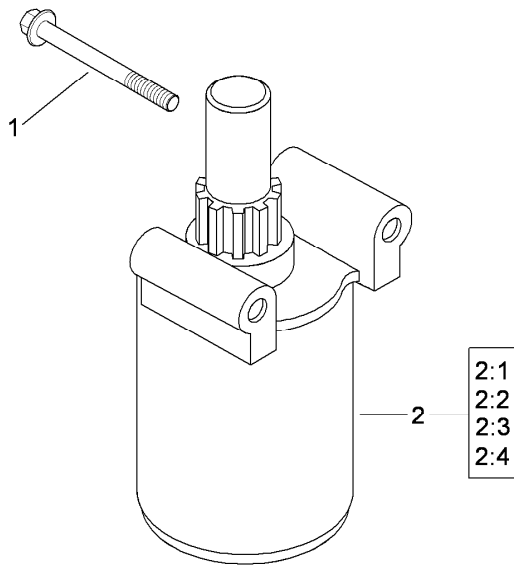


Blower Housing Assembly Kohler SV720-0039

Ref.	Part Number	Qty.	Description
1	32 096 08-S	1	Cover-Cleaner, Air ■
2	M-545016-S	6	Screw-Flange, Thread Forming (M5X0.8X16) ■
3	M-645016-S	8	Screw-Flange, Thread Forming (M6X1.0X16) ■
4	32 146 05-S	1	Plate-Backing ■
5	32 063 12-S	1	Baffle-Barrel, Cylinder (No.2 Side) ■
6	32 063 02-S	1	Baffle-Valley (No.2 Side) ■
7	M-545010-S	2	Screw-HHFTF (M5X.80X10) ■
8	32 063 03-S	1	Baffle-Valley (No.1 Side) ■
9	32 063 10-S	1	Baffle-Barrel, Cylinder (No.1 Side) ■
10	24 086 12-S	2	Screw-TAP (M6X1.7X18) ■
11	32 027 08-S	1	Blower Housing ASM (Fixed Guard) (Includes Ref 1) ■
12	41 403 10-S	1	Rectifier/Regulator ■
13	25 086 158-S	2	Screw-Flanged, Thread Forming (M6X1.0X11) ■
	41 037 10-S	1	Nameplate-Service ■●
	32 113 11-S	1	Decal-Guard, Fixed ■●

● Not illustrated

■ Obtain parts from www.kohlerplus.com

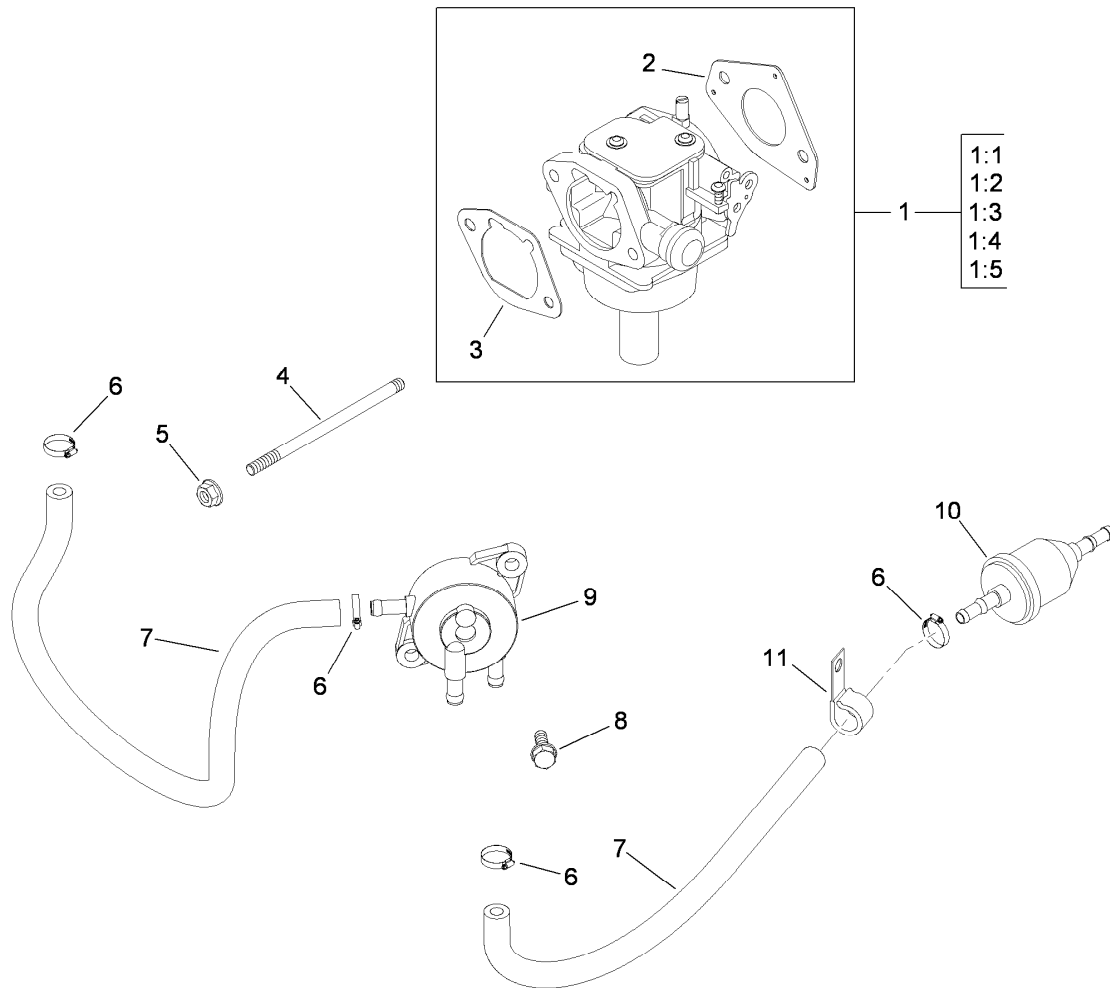


Starter Assembly Kohler SV720-0039

<i>Ref.</i>	<i>Part Number</i>	<i>Qty.</i>	<i>Description</i>
1	M-851080-S	2	Screw-Flange (M8X1.25X80) ■
2	32 098 03-S	1	Starter ASM (Includes Ref 2:1, 2:2, 2:3, 2:4) ■
2:1	12 755 39-S	1	Drive Kit ■●
2:2	12 243 04-S	1	Commutator-Cap, End ■●
2:3	32 211 01-S	2	Bolt-Thru ■●
2:4	32 227 01-S	1	Cap-End, Drive ■●

● Not illustrated

■ Obtain parts from www.kohlerplus.com

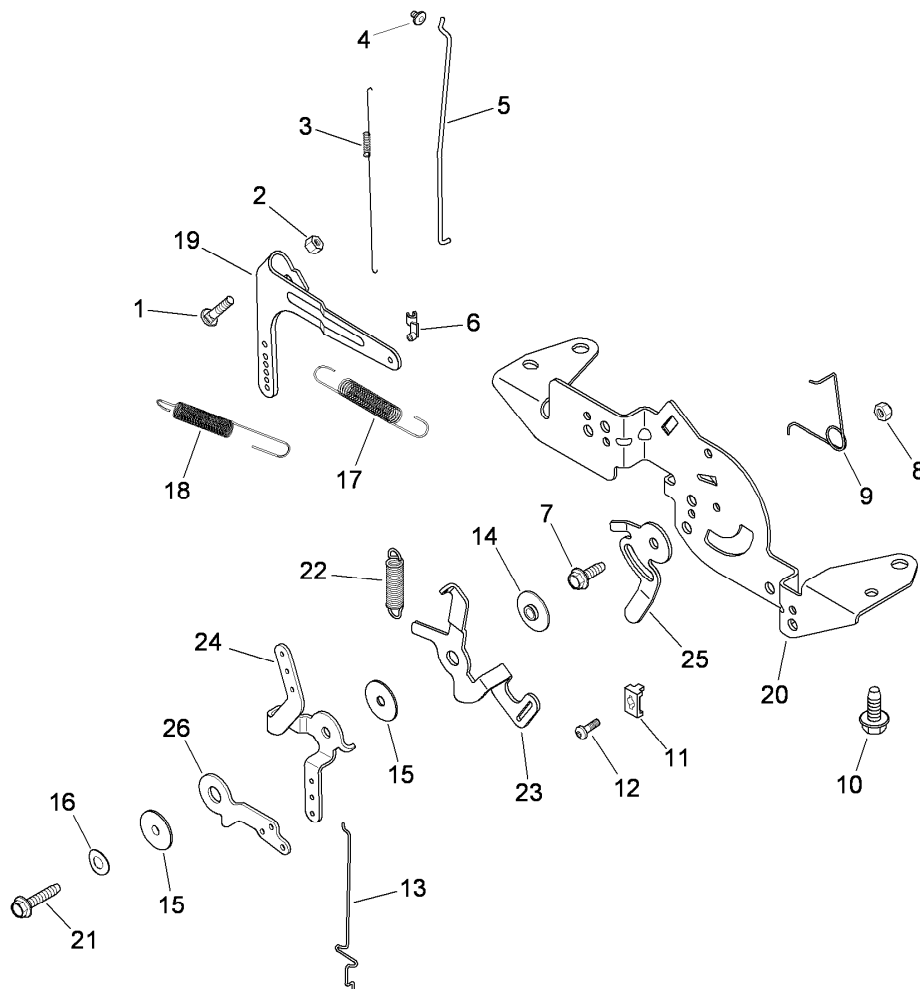


Fuel System Assembly Kohler SV720-0039

Ref.	Part Number	Qty.	Description
1	32 853 11-S	1	Carburetor Kit-19Mm Keihin (Includes Ref 1:1, 1:2, 1:3, 1:4, 1:5) ■
1:1	24 757 36-S	1	Choke Repair/Service Kit ■●
1:2	24 757 38-S	1	Gasket Repair/Service Kit ■●
1:3	24 757 44-S	1	Float Repair Kit ■●
1:4	24 757 45-S	1	Solenoid Valve Repair Kit ■●
1:5	24 757 46-S	1	Overhaul Kit W/Gaskets ■●
2	24 041 52-S	1	Gasket-Carburetor ■
3	24 041 14-S	1	Gasket-Base, Air Cleaner ■
4	M-629105-S	2	Stud (M6X1.0X106) ■
5	M-641060-S	2	Nut-Flange (M6X1.0) ■
6	25 237 14-S	4	Clamp-Hose, Spring (1/2) ■
7	25 111 34-S	2	Line-Fuel (24.0 Cut To Length) ■
8	24 086 12-S	2	Screw-TAP (M6X1.7X18) ■
9	24 393 16-S	1	Pump-Fuel ■
10	25 050 22-S	1	Filter-Fuel ■
11	47 154 01-S	1	Clip-Cable ■

● Not illustrated

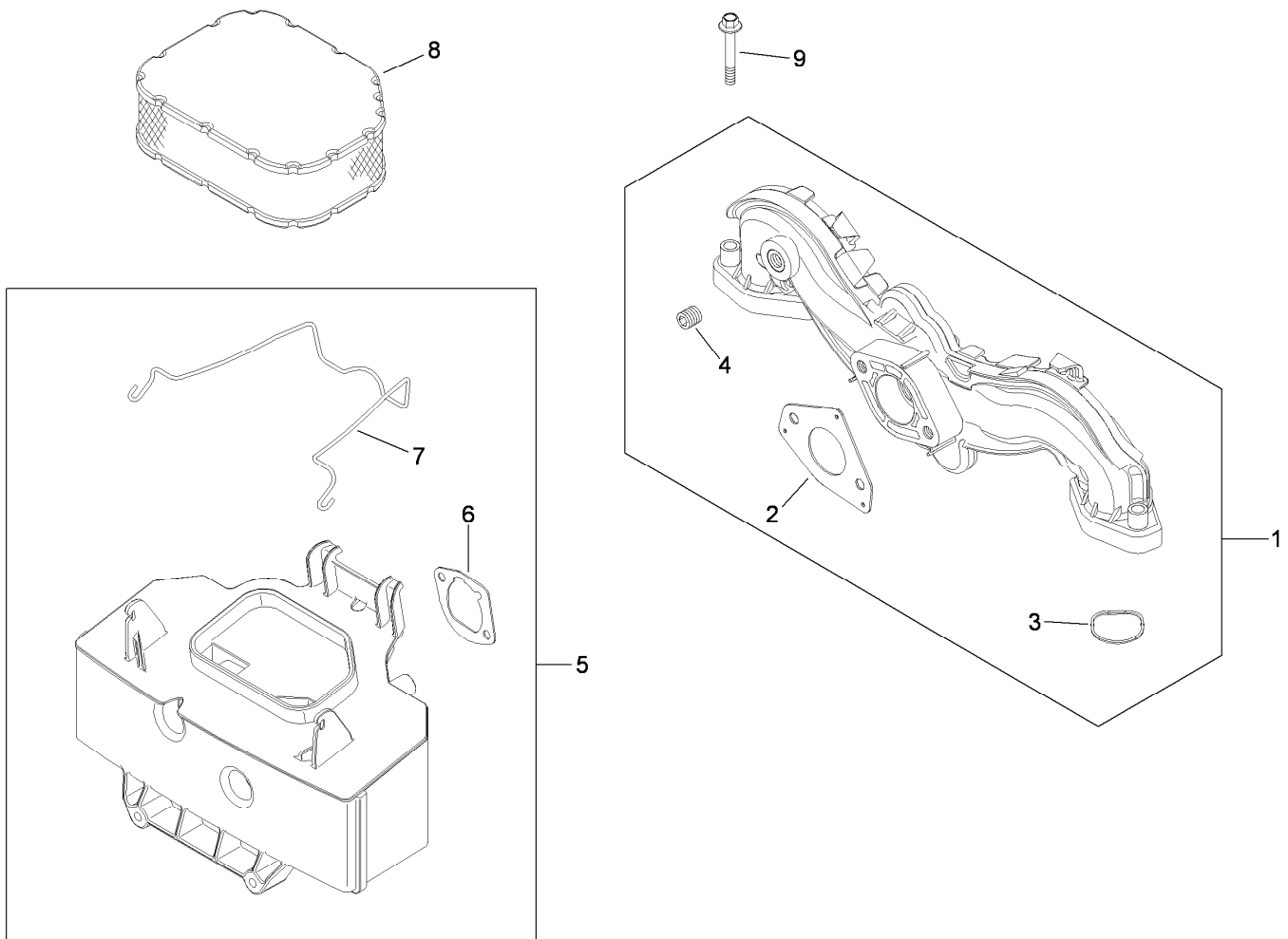
■ Obtain parts from www.kohlerplus.com



Engine Control Assembly Kohler SV720-0039

Ref.	Part Number	Qty.	Description	Ref.	Part Number	Qty.	Description
1	24 211 03-S	1	Bolt-Sq Neck, Rd HD (M6X1.0X25) ●	13	24 079 22-S	1	Linkage-Choke ●
2	M-641060-S	1	Nut-Flange (M6X1.0) ●	14	24 112 27-S	2	Control Spacer ASM ●
3	24 089 01-S	1	Spring-Linkage ●	15	24 468 01-S	1	Washer-Flat (5.5Mm) ●
4	25 158 08-S	1	Bushing-Linkage, Throttle ●	16	41 468 03-S	1	Washer-Spring (1/4) ●
5	24 079 04-S	1	Linkage-Throttle ●	17	24 089 55-S	1	Spring-Governor ●
6	25 158 11-S	1	Bushing-Retaining, Linkage ●	18	24 089 18-S	1	Spring-Governor ●
7	M-545016-S	1	Screw-Flange, Thread Forming (M5X0.8X16) ●	19	24 090 51-S	1	Lever-Governor ●
8	M-547050-S	1	Nut-Lock (M5X.8) ●	20	24 126 172-S	1	Bracket-Control ●
9	24 089 03-S	1	Spring-Return, Choke ●	21	25 086 151-S	1	Screw-Thread Forming (M5X0.8X25Mm) ●
10	M-645016-S	4	Screw-Flange, Thread Forming (M6X1.0X16) ●	22	32 089 03-S	1	Spring-Control, Speed ●
11	12 237 01-S	1	Clamp-Cable ●	23	32 090 07-S	1	Lever-Spring, Governor ●
12	24 086 43-S	1	Screw-Lbd, Thd Frm (M5X0.8X16) ●	24	32 090 08-S	1	Lever-Control, Speed ●
				25	32 090 09-S	1	Lever-Setting, Speed ●
				26	32 090 10-S	1	Lever-Choke ●

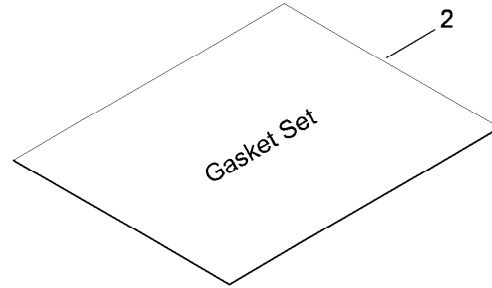
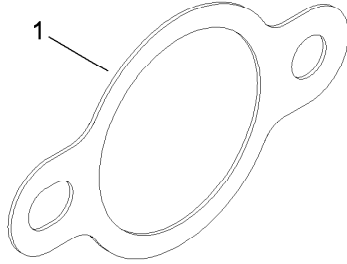
● Obtain parts from www.kohlerplus.com



Air Intake and Filtration Assembly Kohler SV720-0039

<i>Ref.</i>	<i>Part Number</i>	<i>Qty.</i>	<i>Description</i>
1	24 164 91-S	1	Intake Manifold ASM (Includes 2-4) ●
2	24 041 52-S	1	Gasket-Carburetor ●
3	24 153 27-S	2	O-Ring (Intake Port) ●
4	25 139 60-S	1	Plug-Pipe, Countersunk (1/8) ●
5	32 094 04-S	1	Air Cleaner Base Kit (Includes 6, 7) ●
6	24 041 14-S	1	Gasket-Base, Air Cleaner ●
7	32 344 02-S	1	Latch-Element, Air Cleaner ●
8	32 083 03-S	1	Element-Filter, Air ●
9	M-651040-S	4	Screw-Flange (M6X1.0X40) ●

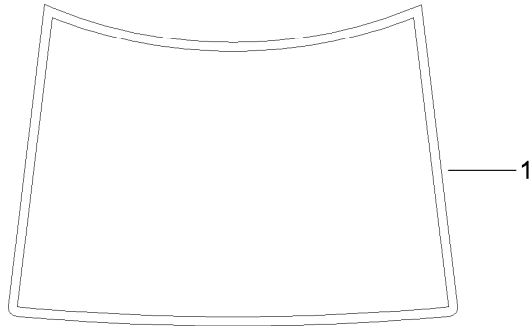
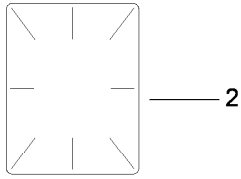
● Obtain parts from www.kohlerplus.com



Gaskets Kohler SV720-0039

<i>Ref.</i>	<i>Part Number</i>	<i>Qty.</i>	<i>Description</i>
1	24 041 49-S	2	Gasket-Exhaust ●
2	32 755 01-S	1	Overhaul Gasket Kit ●

● Obtain parts from www.kohlerplus.com



Artwork is representative
Actual labels may differ depending on model and specification number

Decals Kohler SV720-0039

<i>Ref.</i>	<i>Part Number</i>	<i>Qty.</i>	<i>Description</i>
1	25 113 39-S	1	Decal-Laminate, Clear ●
2	32 113 07-S	1	Decal-23 H P ●

● Obtain parts from www.kohlerplus.com

Attachments and Accessories

For 74373 TimeCutter Z5030 Riding Mower

Product Name	Model/Part
Armrest Kit.....	108-6163
Hour Meter Kit.....	112-9763
Deck Ring Kit.....	114-1608
Striping Kit	114-8545
Armrest Kit.....	79212
Replacement Blade Kit (3 Blades).....	79221
50 Inch Recycler Kit.....	79312
Foot Assist Cutting Unit Lift Kit.....	79313
Engine Cover Kit.....	79314
Floor Mat Kit	79315
Rear Engine Guard.....	79316
Storage Cover	79317
Rear Hitch Kit.....	79318
Sunshade	79319
42 Inch and 50 Inch Twin Bagger.....	79324
10 cu. ft. Poly Dump Cart.....	79991

Notes:



Count on it.