



Count on it.

Parts Catalog

TimeCutter® Z5060 Riding Mower

Model No. 74375—Serial No. 290000200 and Up

Ordering Replacement Parts

To order replacement parts, please supply the part number, the quantity, and the description of each part desired.

Understanding Reference Numbers

Each identified part in an illustration has a reference number. The reference number for a part also appears in the parts list, along with other information about the part.

This catalog uses two special reference number formats, one to indicate parts in a service assembly and another to indicate the quantity of a given part in an illustration.

Service Assembly Reference Numbers

Parts in service assemblies have reference numbers in the form a:b. The a represents the reference number of the entire service assembly and the b represents a sequential number unique to each part within the service assembly.

For example, a wheel assembly might be identified by reference number 6, the tire by 6:1, the valve by 6:2, and the wheel by 6:3. When you order the assembly identified by reference number 6, you receive all parts identified by reference numbers 6:1, 6:2, and 6:3. However, you may also order any part individually. Reference numbers of this type appear in illustration and in parts lists.

Reference Numbers Indicating Quantity

In an illustration, if a reference number indicates more than one part, the reference number has the form nX y. The n represents the quantity of the part, the X is the multiplication symbol, and the y represents the reference number.

For example, in an illustration, the reference number 2X 37 means that two of the parts identified by reference number 37 are indicated.

List of Abbreviations

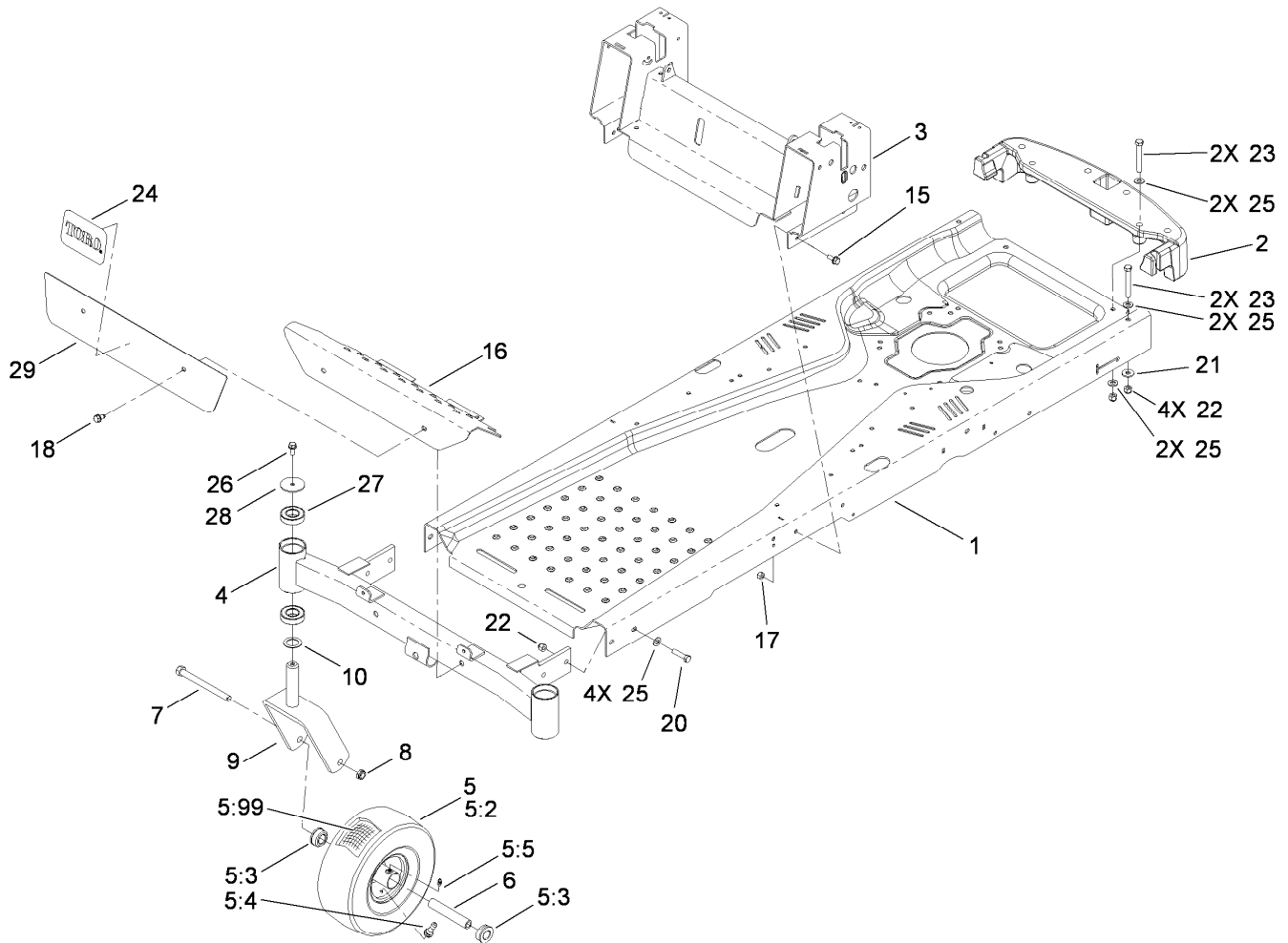
AR: as required
ASM: assembly
BBC: blade brake clutch
CARR: carriage
CCW: counter clock wise
CW: clockwise
DEG: degrees
ECM: electronic control module
EXT: external
FH: flat head
GA: gauge
HD: heavy-duty
HF: hex flange
HH: hex head
HHF: hex head flange
HHFTF: hex head flange thread forming
HJ: hex jam
HLH: hex lag head
HOC: height-of-cut

HSBH: hex socket button head
HSFH: hex socket flat head
HSH: hex socket head
HWH: hex washer head
HWHTF: hex washer head thread forming
HYD: hydraulic
LH: left hand
NI: nylon insert
NPTF: national pipe thread fine
PFH: phillips flat head
PPH: phillips pan head
PPHTF: phillips pan head thread forming
PRH: phillips round head
PTH: phillips truss head
PTO: power-take-off
RH: right hand
ROPS: roll-over protection system
RRB: rear roller brush

SFH: slotted fillister head
SHH: slotted hex head
SHWH: slotted hex washer head
SPH: slotted pan head
SQH: square head
SRH: slotted round head
STD: standard
TAP: self tapping
TTH: torx truss head

Contents

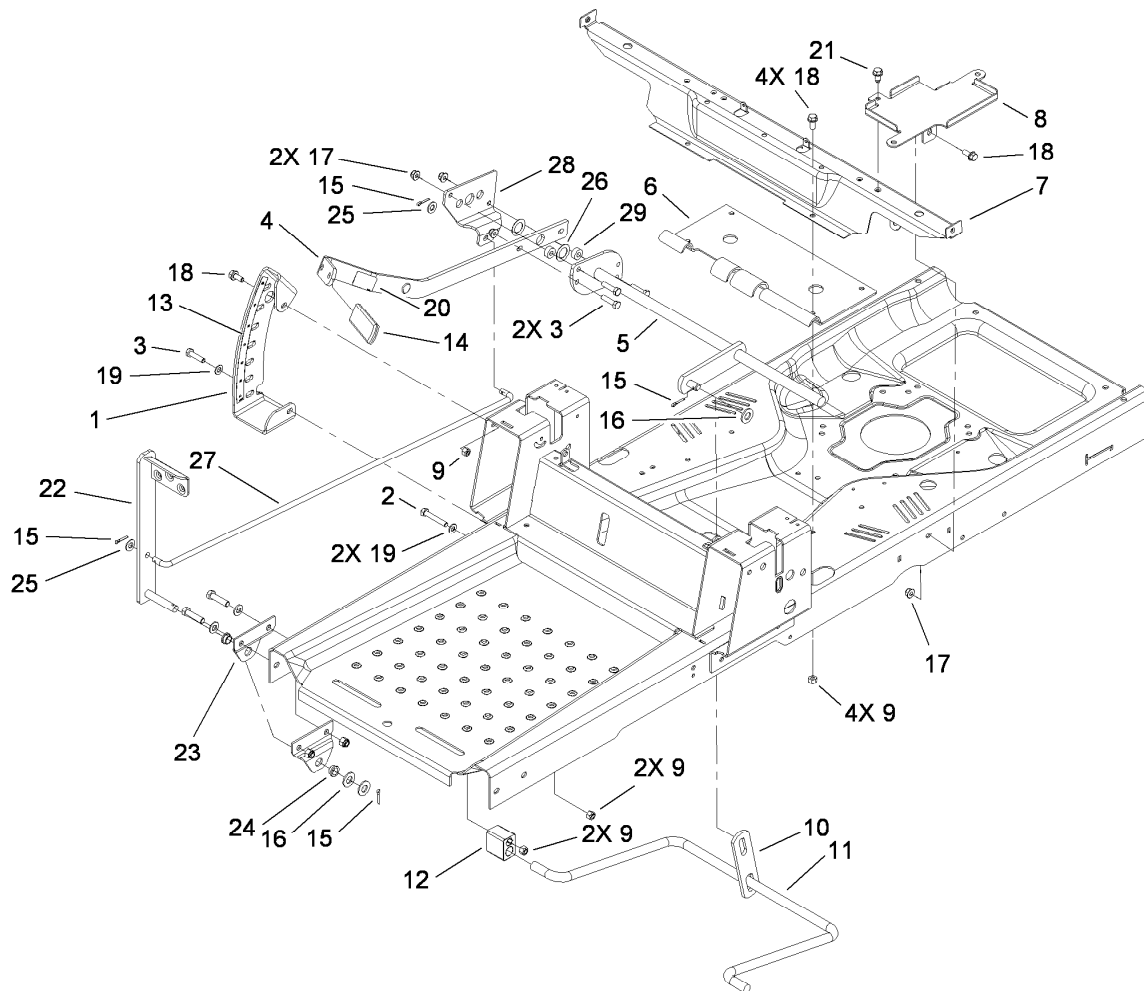
Frame and Castor Wheel Assembly	4
Deck Lift and Seat Support Assembly	5
Seat Assembly	6
Seat and Armrest Kit Assembly No. 117-1227	7
Control Assembly	8
Hydro Drive Assembly	9
RH Hydro Assembly No. 110-6771	10
LH Hydro Assembly No. 110-6770	11
Engine and Clutch Assembly	12
Styling and Fuel System Assembly	13
50 Inch Deck and Side Discharge Assembly	14
50 Inch Deck Decal Assembly No. 117-1291	15
50 Inch Deck Spindle and Blade Assembly	16
Electrical Assembly	17
Crankshaft Assembly Kohler SV730-0029	18
Crankcase Assembly Kohler SV730-0029	19
Head, Valve and Breather Assembly Kohler SV730-0029	20
Oil Pan and Lubrication Assembly Kohler SV730-0029	22
Ignition and Electrical Assembly Kohler SV730-0029	23
Blower Housing Assembly Kohler SV730-0029	24
Starter Assembly Kohler SV730-0029	25
Fuel System Assembly Kohler SV730-0029	26
Engine Control Assembly Kohler SV730-0029	27
Air Intake and Filtration Assembly Kohler SV730-0029	28
Gaskets Kohler SV730-0029	29
Decals Kohler SV730-0029	30
Attachments and Accessories	31



Frame and Castor Wheel Assembly

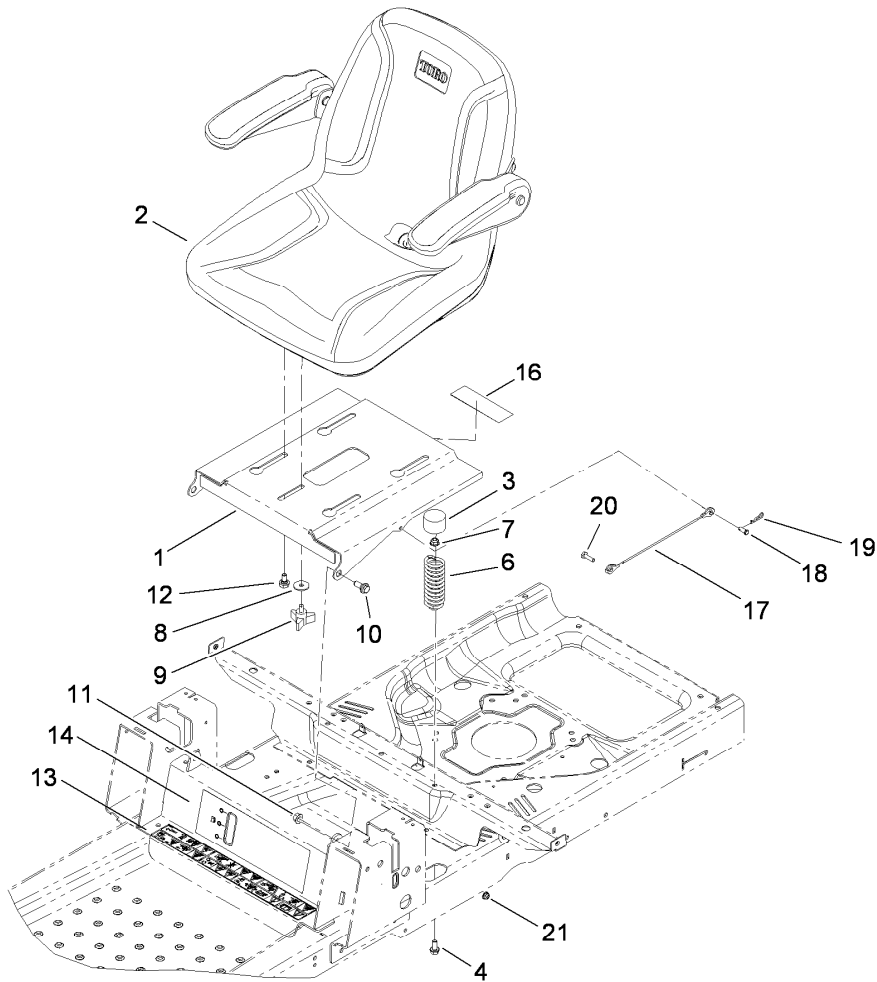
Ref.	Part Number	Qty.	Description
1	115-2464-01	1	Frame
2	110-6899-03	1	Bumper-Rear
3	115-5041-03	1	Seat Pivot/Control ASM
4	117-1160-01	1	Front Axle ASM
5	115-2554	2	Wheel And Tire ASM
5:2	115-2557	1	Tire-Smooth
5:3	114-1640	2	Bushing-Flange
5:4	232-27	1	Stem-Valve
5:5	302-5	1	Fitting-Grease
5:99	117-1234	1	Tube-Inner
6	104-3667	2	Spanner-Wheel
7	325-22	2	Screw-HH
8	3296-45	2	Nut-Lock, NI
9	110-6634-01	2	Caster Fork ASM
10	10-8110	2	Washer-Thrust

Ref.	Part Number	Qty.	Description
15	3234-47	7	Screw-HHF
16	108-7855-03	1	Footrest
17	3296-29	7	Nut-Lock, NI
18	32104-32	2	Screw-HWH
20	323-8	4	Screw-HH
21	80-6990	2	Washer-Hardened
22	3296-39	8	Nut-Lock, NI
23	323-13	4	Screw-HH
24	105-8278	1	Decal
25	3256-24	10	Washer-Flat
26	3234-47	2	Screw-HHF
27	109-3678	4	Bearing-Ball
28	109-3724	2	Washer
29	117-1237-03	1	Plate-Footrest



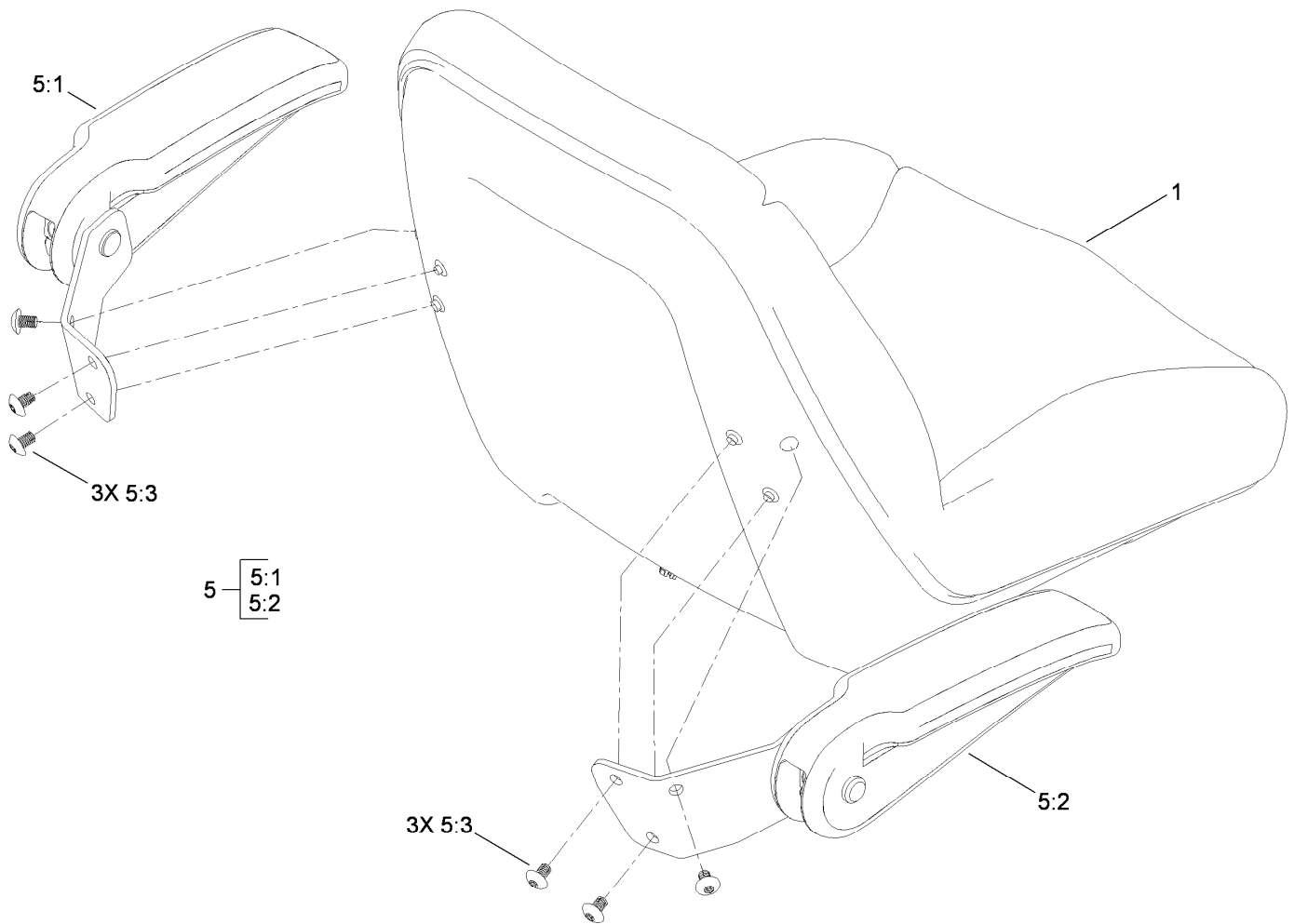
Deck Lift and Seat Support Assembly

<i>Ref.</i>	<i>Part Number</i>	<i>Qty.</i>	<i>Description</i>	<i>Ref.</i>	<i>Part Number</i>	<i>Qty.</i>	<i>Description</i>
1	112-4027-03	1	Sector-HOC	16	3256-26	3	Washer-Flat
2	322-10	2	Screw-HH	17	104-8300	3	Nut-Flange, NI
3	322-6	3	Screw-HH	18	3234-47	6	Screw-HHF
4	112-3960-03	1	Lift Arm ASM	19	3256-23	3	Washer-Flat
5	108-7841-03	1	Lift Lever ASM	20	106-8743	1	Decal-HOC
6	110-6800-03	1	Plate-Lift	21	32104-32	1	Screw-HWH
7	110-6805-03	1	Bracket-Seat/Pods	22	112-4018-03	1	Pedal ASM
8	110-1937-03	1	Tray-Battery	23	112-3954-03	2	Bracket-Footlift
9	3296-29	8	Nut-Lock, NI	24	256-156	2	Bushing-Flange
10	108-7840	1	Link-Lift	25	3256-24	2	Washer-Flat
11	108-7839	1	Arm-Lift, Rear	26	3-6498	2	Washer-Thrust
12	108-7845	2	Block-Pivot	27	112-3958	1	Rod-Lift
13	112-9802	1	Decal-HOC	28	112-3959	1	Plate-Footlift
14	105-3450	1	Grip-Lever, Lift	29	112-3961	2	Spacer
15	3272-10	4	Pin-Cotter				



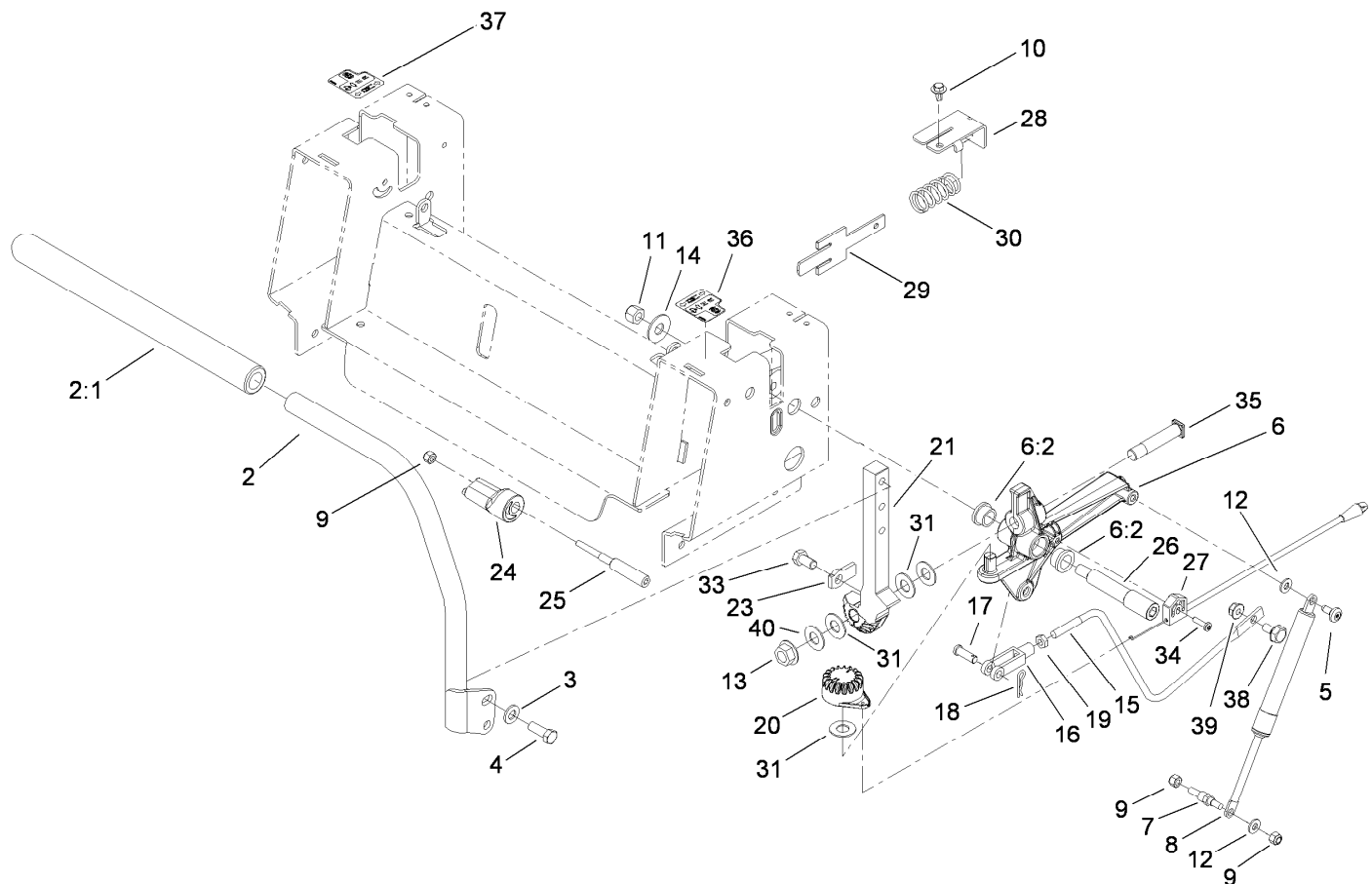
Seat Assembly

<i>Ref.</i>	<i>Part Number</i>	<i>Qty.</i>	<i>Description</i>
1	115-2465-03	1	Base-Seat
2	117-1227	1	18 Inch Seat ASM W/ Armrests
3	701178	2	Cap-Protector
4	3234-47	2	Screw-HHF
6	92-7054	2	Spring-Compression
7	104-8300	2	Nut-Flange, NI
8	5-4460	1	Washer-Pivot
9	92-9674	1	Knob
10	94-7582	2	Bolt-Shoulder
11	32128-21	2	Nut-HF
12	37-8771	4	Bolt-Shoulder
13	115-2469	1	Decal-Danger
14	117-1268	1	Decal-Timecutter
16	106-8717	1	Decal-Service
17	109-2628	1	Cable-Stop, Seat
18	60-1730	1	Pin-Clevis
19	1-806003	1	Pin-Cotter, Hair
20	321-5	1	Screw-HH
21	104-7201	1	Nut-HF



Seat and Armrest Kit Assembly No. 117-1227

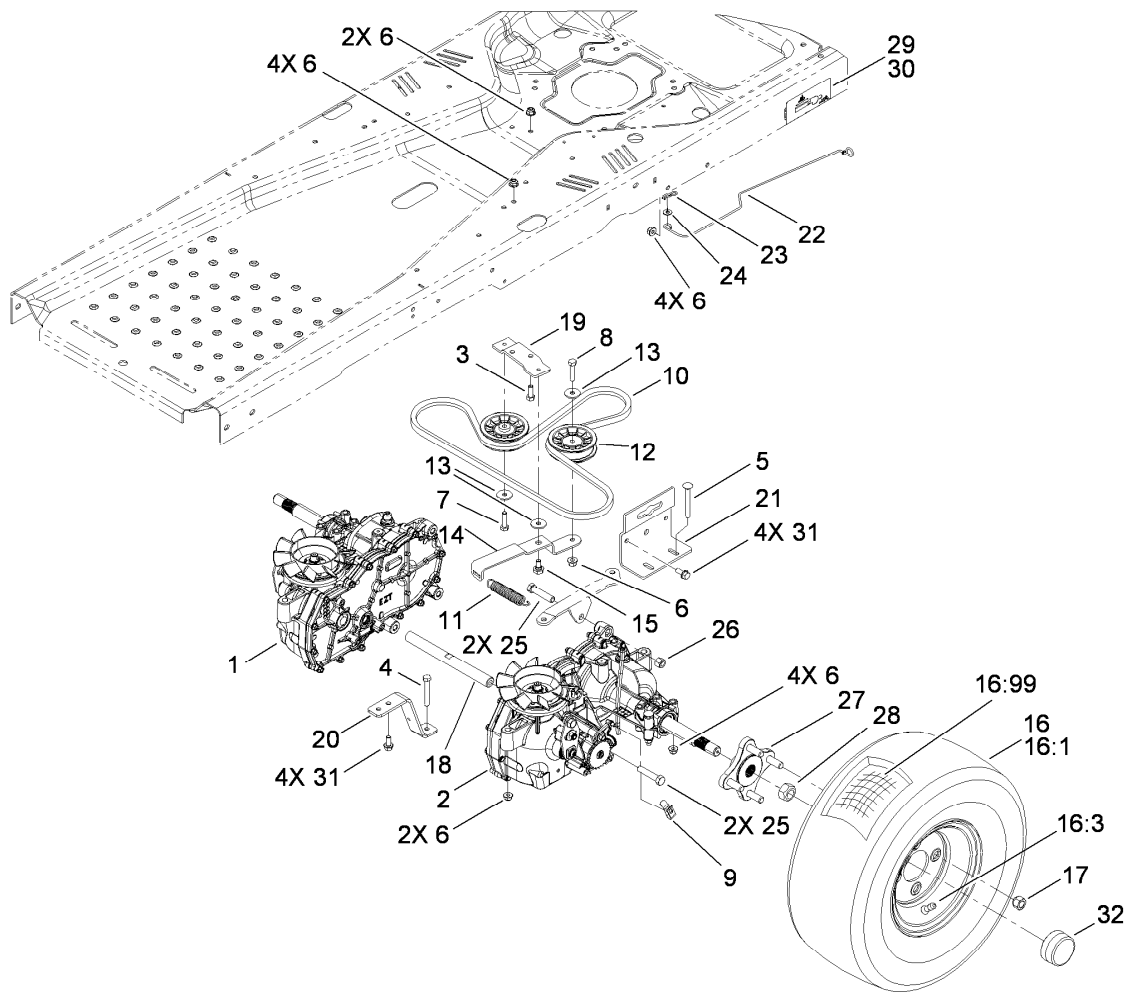
<i>Ref.</i>	<i>Part Number</i>	<i>Qty.</i>	<i>Description</i>
1	117-1226	1	Seat-18 Inch
5	108-6163	1	Armrest Kit
5:1	110-6569	1	LH Armrest Kit
5:2	110-6570	1	RH Armrest Kit
5:3	108-6179	6	Screw-HSBH



Control Assembly

Ref.	Part Number	Qty.	Description	Ref.	Part Number	Qty.	Description
1	117-5339	1	RH Control Handle ASM ●	19	3220-2	2	Nut-Jam
1:1	108-6187	1	Grip ●	20	110-6845	2	Gear-Control
2	117-5338	1	LH Control Handle ASM	21	110-6783-05	1	Arm-Actuator, LH
2:1	108-6187	1	Grip	22	110-6782-05	1	Arm-Actuator, RH ●
3	3256-24	4	Washer-Flat	23	115-5023	2	Tab-Stop
4	323-6	4	Screw-HH	24	110-6873	2	Eccentric
5	112-4004	2	Screw-Shoulder	25	110-6874	2	Screw-Eccentric
6	110-6828	2	Activator Arm ASM	26	110-6875	2	Bolt-Shoulder
6:2	105-3455	2	Bushing	27	110-6858	2	Cable-Brake, Parking
7	110-6810	2	Stud-Damper	28	110-6751	2	Bracket-Return
8	103-2913	2	Damper-Control, Motion	29	110-6750	2	Plate-Return
9	3296-42	6	Nut-Lock, NI	30	110-6752	2	Spring-Compression
10	46-8560	2	Screw-HHF	31	110-6894	8	Washer-Pivot
11	3296-48	2	Nut-Lock, NI	33	323-4	2	Screw-HH
12	3256-22	4	Washer-Flat	34	110-0863	2	Screw-Torx
13	32128-23	2	Nut-HF	35	110-6784	2	Bolt-Shoulder
14	3256-5	2	Washer-Flat	36	112-9750	1	Decal-Control Lever, LH
15	110-6693	2	Link-Hydro	37	112-9751	1	Decal-Control Lever, RH
16	1-303105	2	Yoke-Adjustable	38	37-8771	2	Bolt-Shoulder
17	1-808280	2	Pin-Clevis	39	104-8300	2	Nut-Flange, NI
18	1-806003	2	Pin-Cotter, Hair	40	112-9771	2	Washer-Teflon

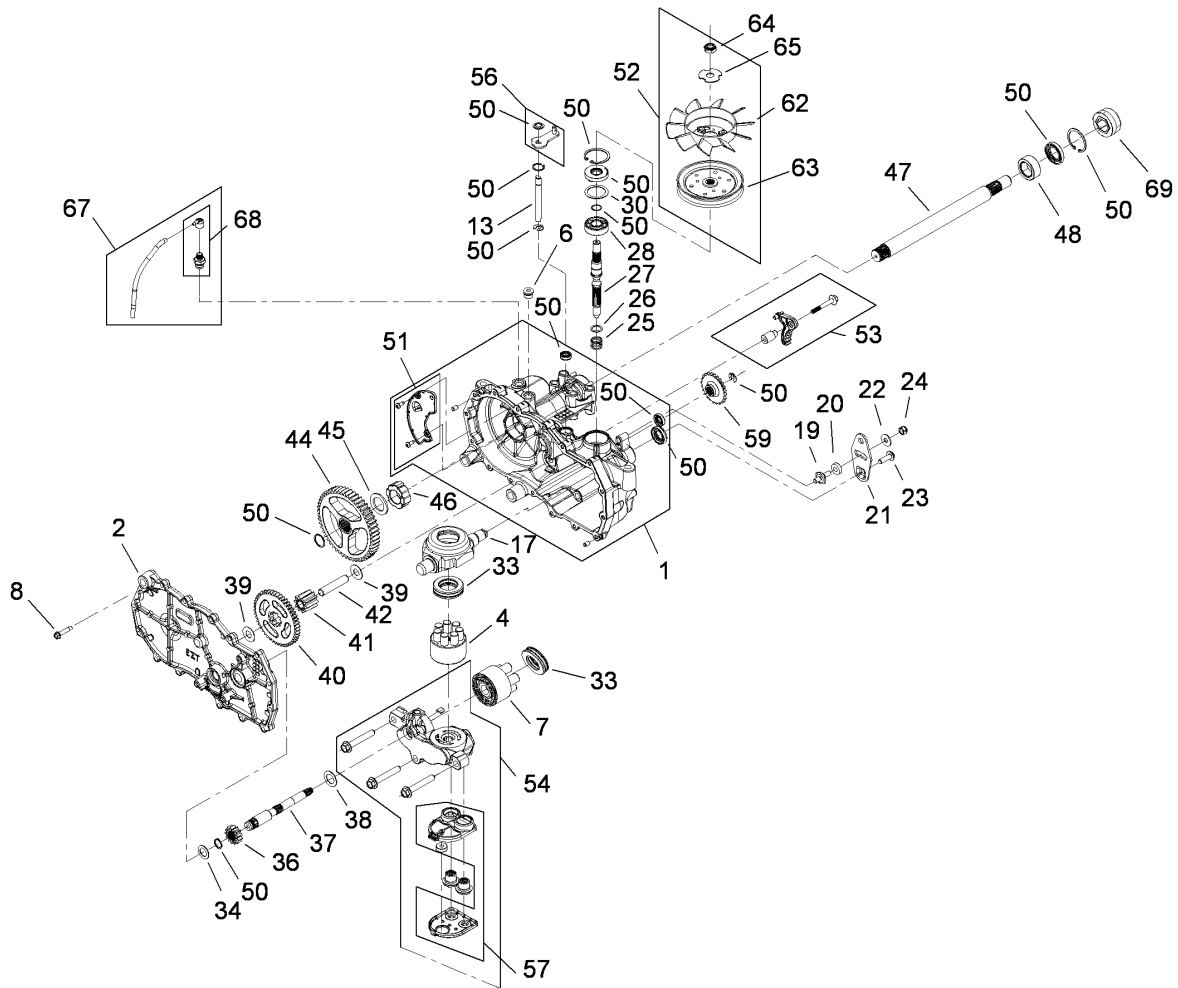
● Not illustrated



Hydro Drive Assembly

Ref.	Part Number	Qty.	Description
1	110-6771	1	Hydro-RH
2	110-6770	1	Hydro-LH
3	322-4	2	Screw-HH
4	322-11	2	Screw-HH
5	3230-9	4	Screw-CARR
6	104-8300	17	Nut-Flange, NI
7	322-6	1	Screw-HH
8	322-7	1	Screw-HH
9	110-6677	2	Clip-Spring
10	110-6774	1	V-Belt
11	63-1590	1	Spring-Idler
12	110-6775	2	Pulley-Idler
13	5-4460	3	Washer-Pivot
14	110-1925	1	Arm-Idler
15	37-8771	1	Bolt-Shoulder
16	110-6883	2	Wheel And Tire ASM
16:1	110-6887	1	Tire
16:3	232-27	1	Stem-Valve

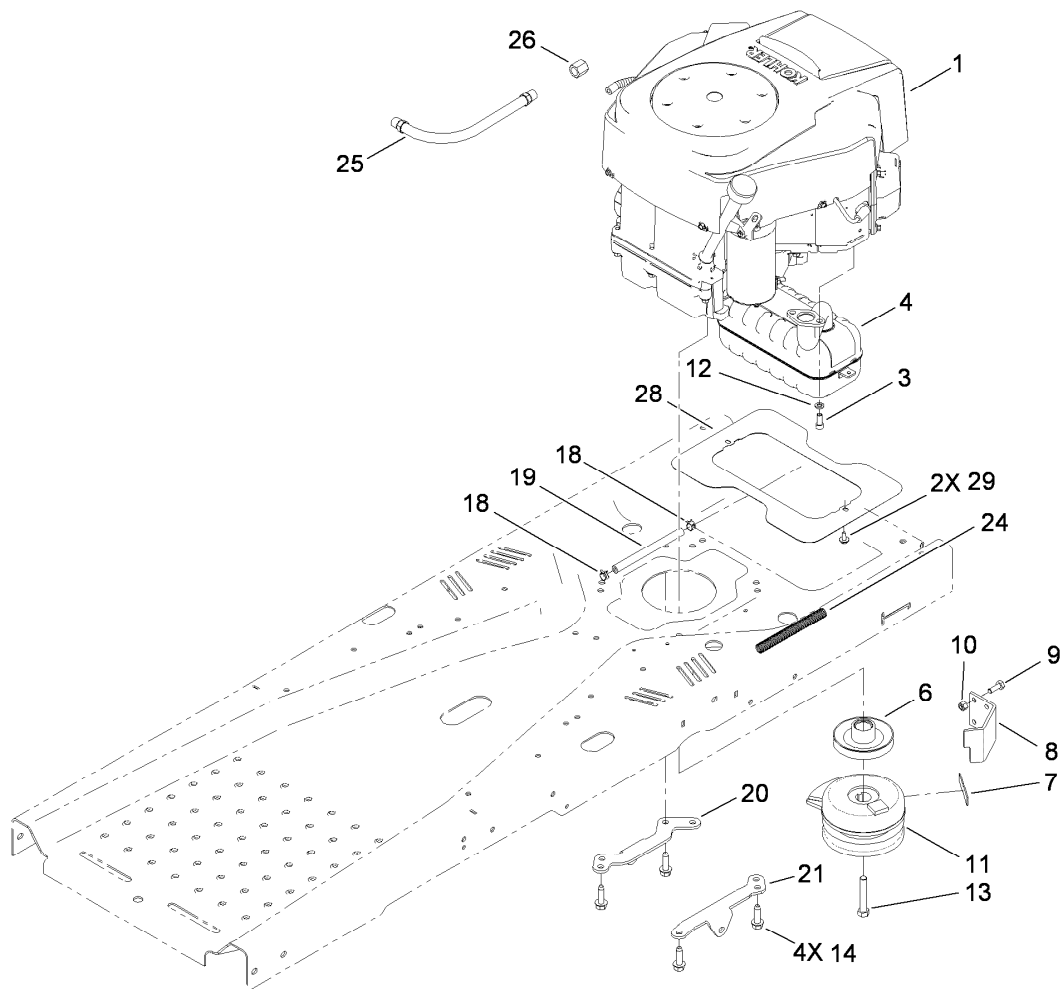
Ref.	Part Number	Qty.	Description
16:99	232-37	1	Tube
17	242-50	8	Nut-Lug
18	110-6807	1	Shaft-Cross
19	110-1926	1	Plate-Pivot
20	110-6806-03	2	Strap-Torque
21	110-6878-03	2	Support-Hydro
22	110-6787	2	Rod-Bypass
23	1-806003	2	Pin-Cotter, Hair
24	3256-22	2	Washer-Flat
25	324-8	4	Screw-HH
26	3296-48	2	Nut-Lock, NI
27	112-3979	2	Hub ASM
28	112-3982	2	Nut-Lock
29	114-8532	1	Decal-Transport, LH
30	114-8531	1	Decal-Transport, RH
31	3234-47	8	Screw-HHF
32	115-5057	2	Cover-Nut, Axle



LH Hydro Assembly No. 110-6770

Ref.	Part Number	Qty.	Description	Ref.	Part Number	Qty.	Description
1	114-1636	1	LH Main Housing ASM	40	104-5317	1	Gear
2	114-1637	1	LH Side ASM	41	104-5318	1	Gear-Jackshaft, 10T
4	110-8561	1	Pump Block ASM	42	104-5329	1	Pin-Jackshaft
6	104-2189	1	Plug-Thread, Straight	44	112-9855	1	Gear-52T, Bull
7	103-2666	1	Cylinder Block Kit	45	112-9856	1	Washer
8	104-5305	16	Screw-HHF	46	112-9857	1	Bearing-Sleeve
13	106-8678	1	Rod-Bypass	47	112-9858	1	Shaft-Axle
17	104-5304	1	Swashplate-Trunnion	48	112-9859	1	Bushing-Axle
19	104-2116	1	Stud	50	106-8686	1	Seal Kit
20	112-9853	1	Puck-Friction	51	106-8687	1	LH Expansion Plate Kit
21	106-8747	1	Arm-Control	52	106-8698	1	Fan Pulley Kit
22	5-4460	1	Washer-Pivot	53	114-1633	1	Brake Arm Kit
23	107-2488	1	Screw	54	112-9862	1	LH Center Section Filter Kit
24	105-1872	1	Nut	55	104-2147	1	Sealant ●
25	94-1936	1	Spring-Block	56	107-2489	1	Bypass Arm Kit
26	94-1937	1	Washer-Thrust, Block	57	114-1634	1	Filter Kit
27	104-5306	1	Shaft-Input	59	106-8694	1	Disc-Brake, Cog
28	104-5311	1	Bearing-Ball	62	110-8566	1	Fan-6 Inch, 10 Blade
30	104-5308	1	Spacer	63	104-1754	1	Pulley
33	94-6922	2	Bearing-Thrust	64	105-1875	1	Nut-Lock
34	104-5339	1	Washer-Flat	65	107-9122	1	Washer-Slotted
36	104-5316	1	Gear-Pinnion, 13T	67	112-9866	1	Breather Kit
37	114-1632	1	Shaft-Motor	68	114-1635	1	Breather ASM
38	104-5360	1	Washer-Shaft, Motor	69	115-5057	1	Cover-Nut, Axle
39	94-1933	2	Washer				

● Not illustrated

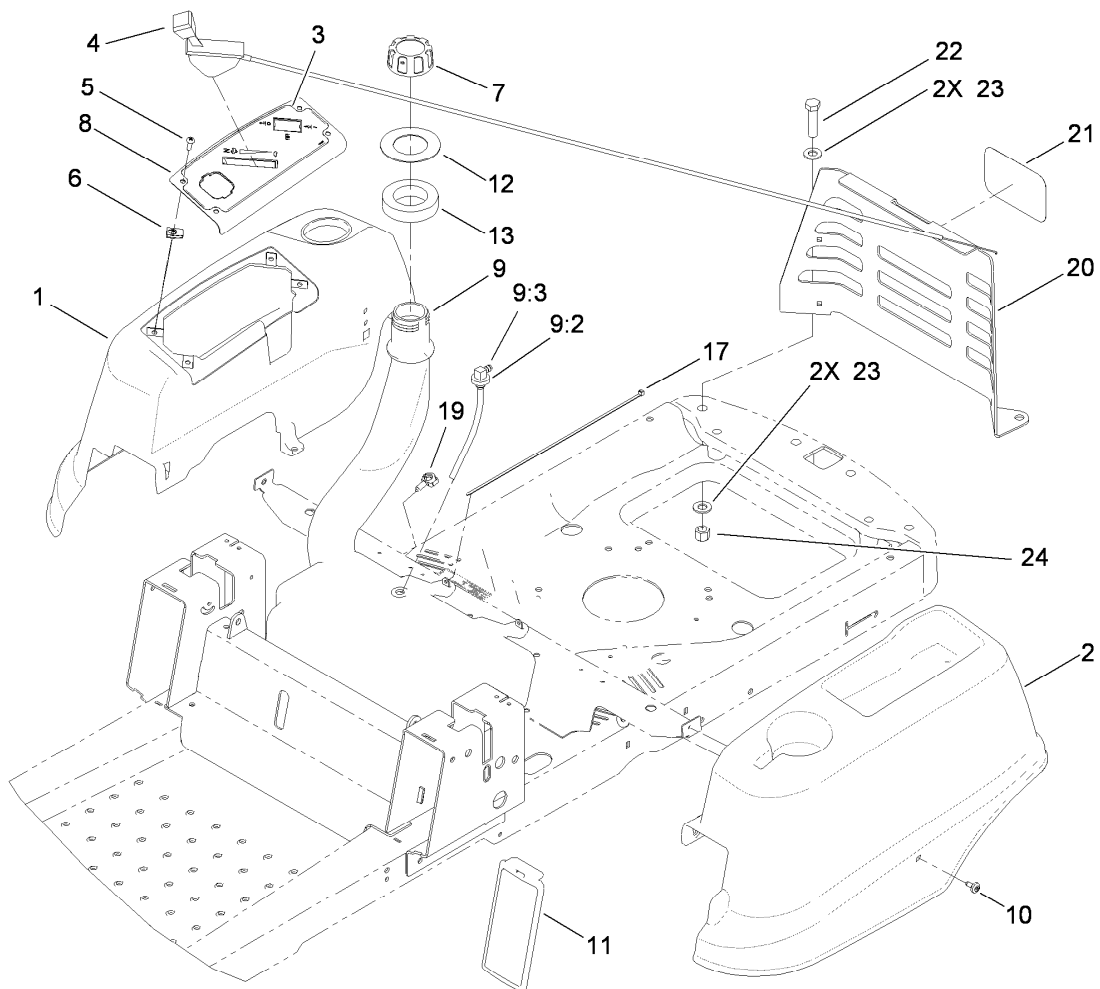


Engine and Clutch Assembly

Ref.	Part Number	Qty.	Description
1		1	Engine-Kohler, Sv730-0029 ●■
3	3274-10	4	Screw-HSH
4	117-1271	1	Muffler-Kohler Twin
6	114-1622	1	Pulley-Engine
7	112-4033	1	Bumper-Pad
8	110-6896	1	Stop-Clutch
9	322-4	2	Screw-HH
10	3296-29	2	Nut-Lock, NI
11	110-6766	1	Clutch-Electric, PTO
12	3253-4	4	Washer-Lock
13	3212-11	1	Screw-HH
14	32144-109	4	Screw
18	2412-98	2	Clamp
19	107-0589	1	Hose-Fuel
20	110-6798	1	Support-Hydro, RH
21	110-6799	1	Support-Hydro, LH
24	112-9849	1	Tubing-Convoluted
25	82-4201	1	HYD Hose ASM
26	288-10	1	Cap-Pipe
28	114-8544	1	Shield-Heat
29	46-8560	2	Screw-HHF

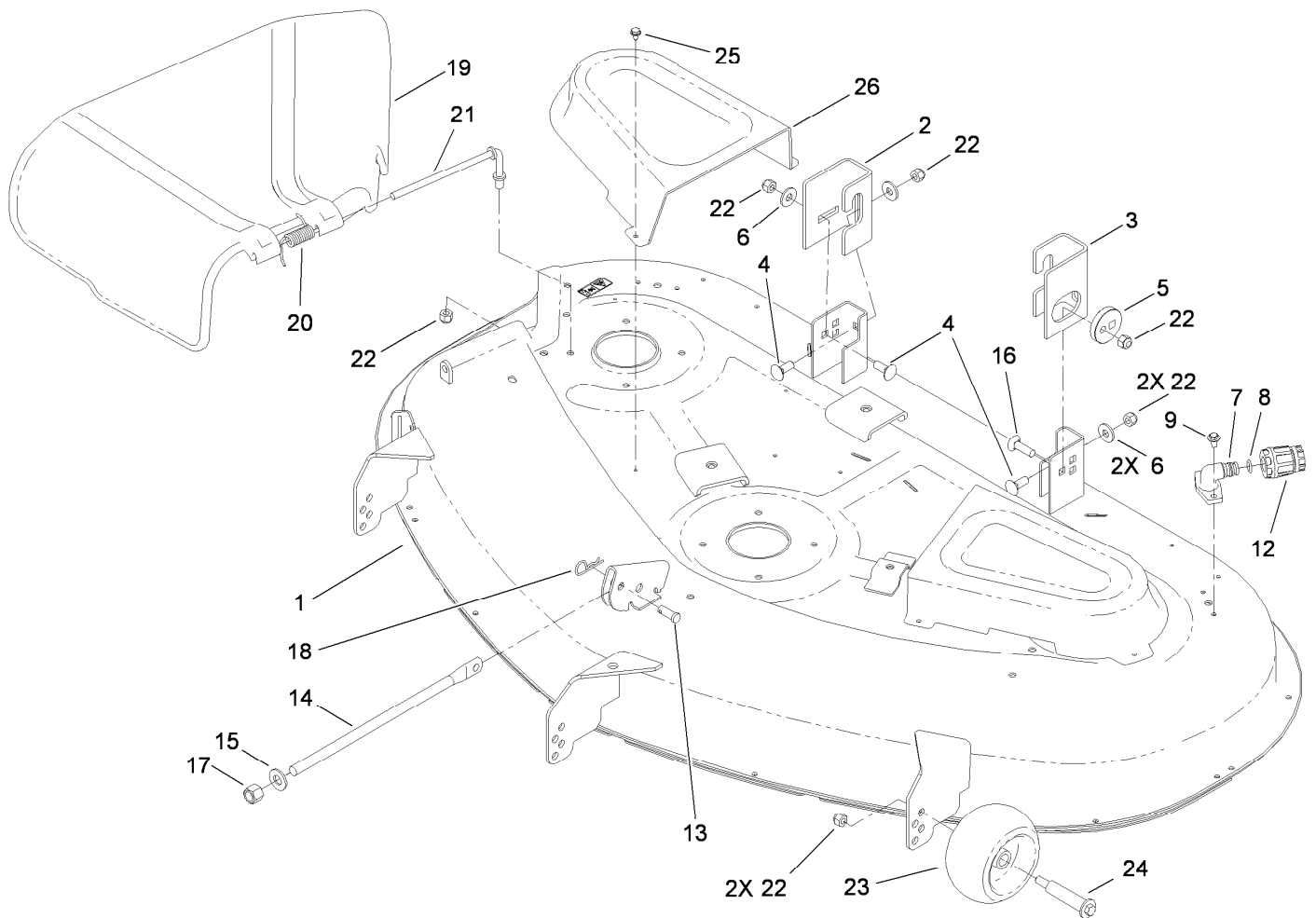
● Not serviced separately

■ Obtain parts from www.kohlerplus.com



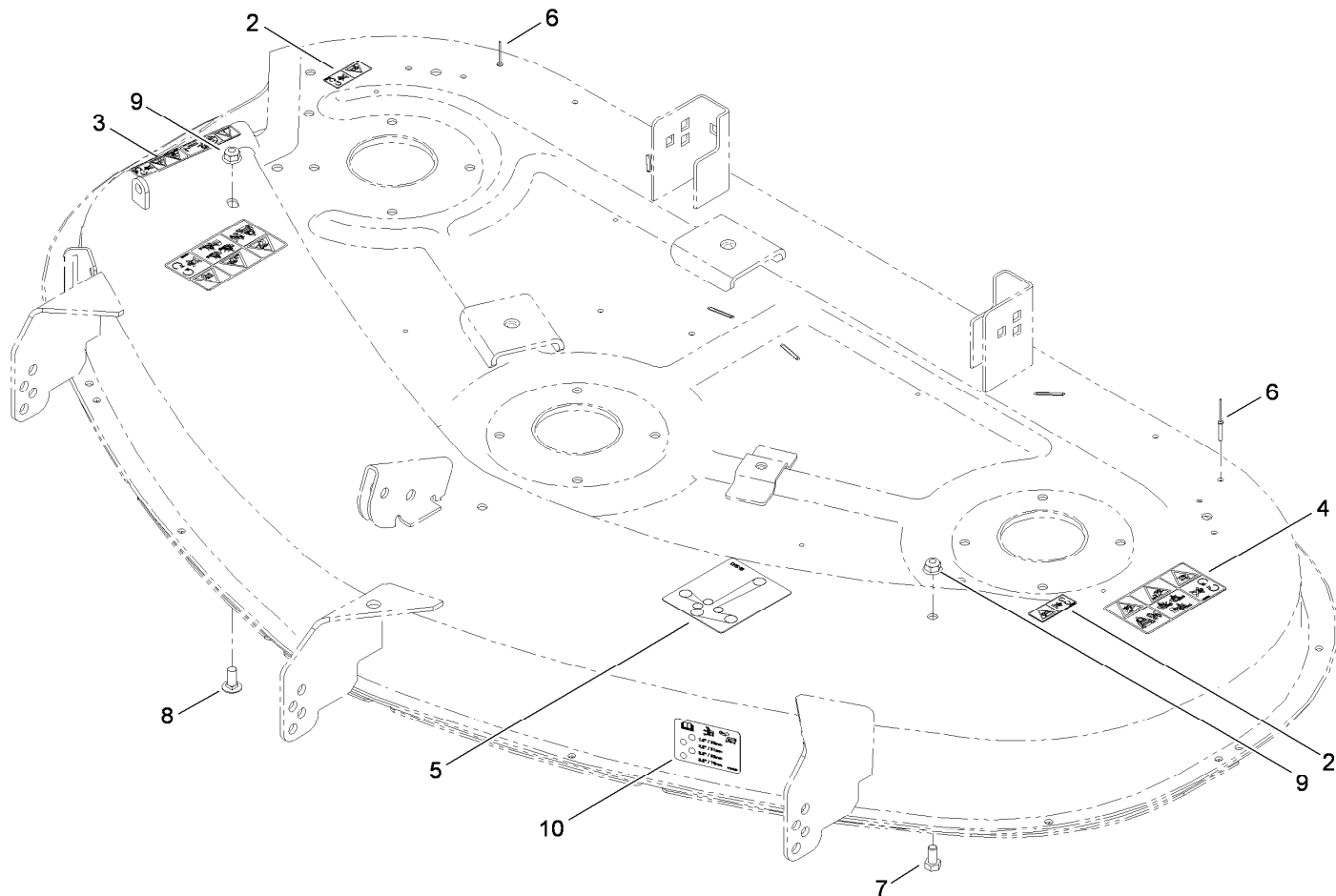
Styling and Fuel System Assembly

<i>Ref.</i>	<i>Part Number</i>	<i>Qty.</i>	<i>Description</i>
1	117-1219	1	Pod-RH
2	117-1220	1	Pod-LH
3	115-2500	1	Decal-Panel, Control
4	117-1295	1	Cable-Throttle/Choke
5	3258-166	4	Screw-PRH
6	107069	4	Clip
7	93-7198	1	Gas Cap ASM
8	110-1927-03	1	Panel-Control
9	110-6890	1	Fuel Tank ASM
9:2	46-6560	1	Bushing
9:3	95-3970	1	Fitting-90 Degree
10	112-4004	6	Screw-Shoulder
11	110-6786	2	Cover-Control
12	112-9760	1	Washer-Rubber
13	55-9310	1	Seal-Foam
17	100-9064	1	Tie-Cable
19	105-1853	1	Clamp-Hose
20	110-6685-03	1	Support-Cover, Rear
21	105-8278	1	Decal
22	325-8	2	Screw-HH
23	3256-26	4	Washer-Flat
24	3296-23	2	Nut-Lock, NI



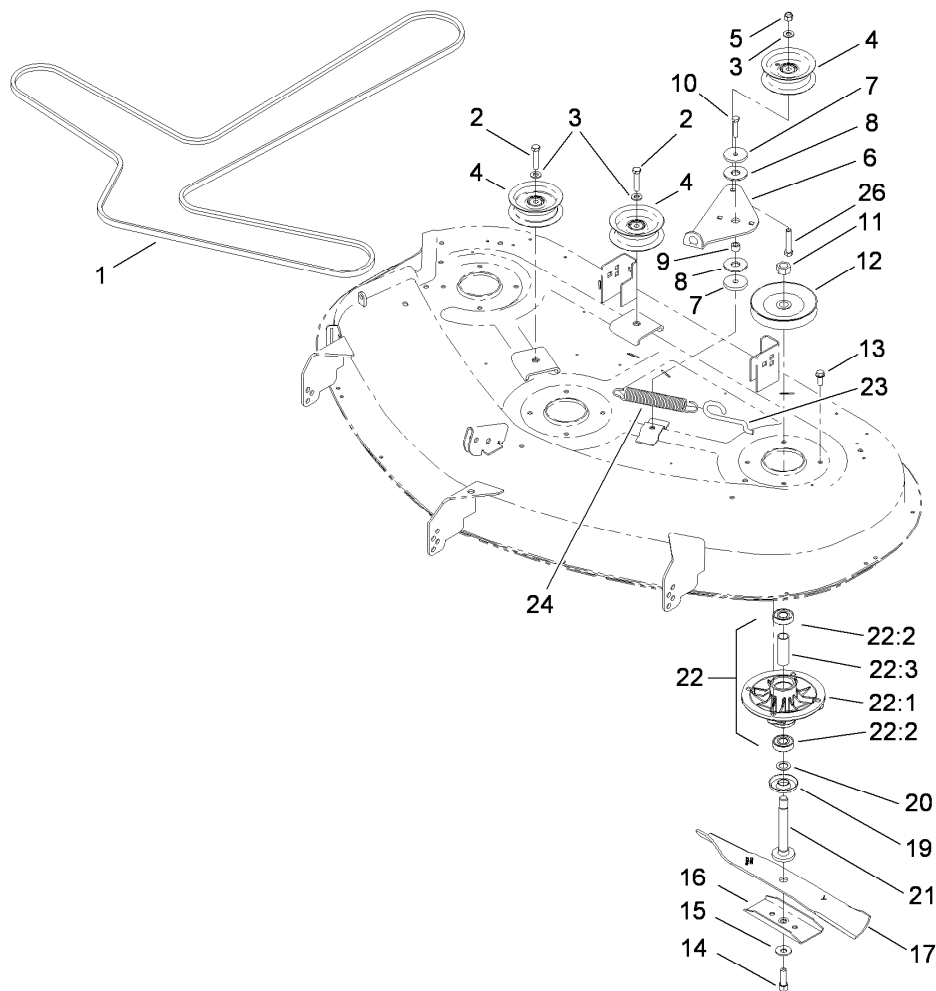
50 Inch Deck and Side Discharge Assembly

Ref.	Part Number	Qty.	Description
1	117-1291	1	50 Inch Deck ASM
2	108-7836	1	Bracket-Hanger, Right Rear
3	108-7838	1	Bracket-Hanger, Left Rear
4	3231-2	3	Screw-CARR
5	112-3980	1	Eccentric
6	80-6990	3	Washer-Hardened
7	95-2747	2	Fitting-Washout
8	46-6290	2	O-Ring, Seal
9	46-8560	4	Screw-HHF
12	95-3270	1	Connector-Hose
13	1-808284	1	Pin-Clevis
14	108-7847	1	Rod-Lift
15	87-7270	1	Washer-Thrust
16	3231-28	1	Screw-CARR
17	3296-23	1	Nut-Lock, NI
18	9335054	1	Pin-Hair
19	108-7895	1	Deflector-50 Inch
20	110-6694	1	Spring-Torsion
21	112-3950	1	Rod-Pivot
22	3296-39	8	Nut-Lock, NI
23	1-603299	3	Roller-Scalp, Anti
24	112-3977	3	Bolt-Shoulder
25	32104-76	6	Screw
26	108-7890	2	Cover-Belt



50 Inch Deck Decal Assembly No. 117-1291

<i>Ref.</i>	<i>Part Number</i>	<i>Qty.</i>	<i>Description</i>
2	114-1606	2	Decal-Danger, Pulley
3	93-7009	1	Decal-Danger, Deflector
4	110-6691	2	Decal-Danger
5	99-3943	1	Decal-Routing, Belt
6	3290-282	2	Rivet-Blind
7	322-2	1	Screw-HH
8	3230-23	1	Screw-CARR
9	104-8300	2	Nut-Flange, NI
10	112-9840	1	Decal-Scalp, Anti

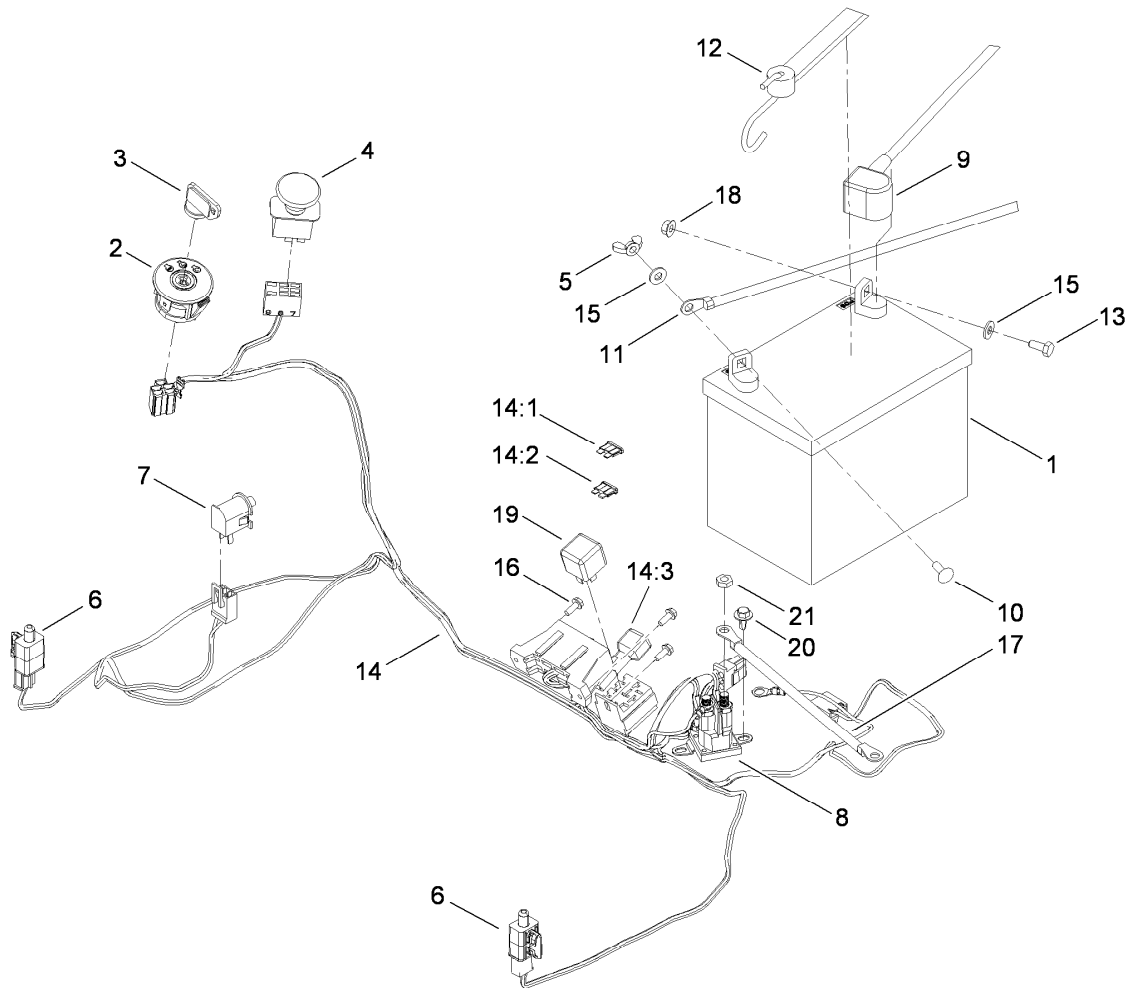


50 Inch Deck Spindle and Blade Assembly

Ref.	Part Number	Qty.	Description
1	110-6892	1	V-Belt
2	323-9	2	Screw-HH
3	3256-24	3	Washer-Flat
4	106-2175	3	Pulley-Idler, Flat
5	3296-39	1	Nut-Lock, NI
6	114-8540	1	Arm-Idler
7	110-9981	2	Washer-Plain
8	114-0463	2	Washer-Friction, Composite
9	115-4986	1	Spacer
10	323-8	1	Screw-HH
11	3219-6	3	Nut-Hex
12	110-6865	3	Pulley
13	32144-41	12	Screw-Taptite
14	26-0671	3	Screw-HH

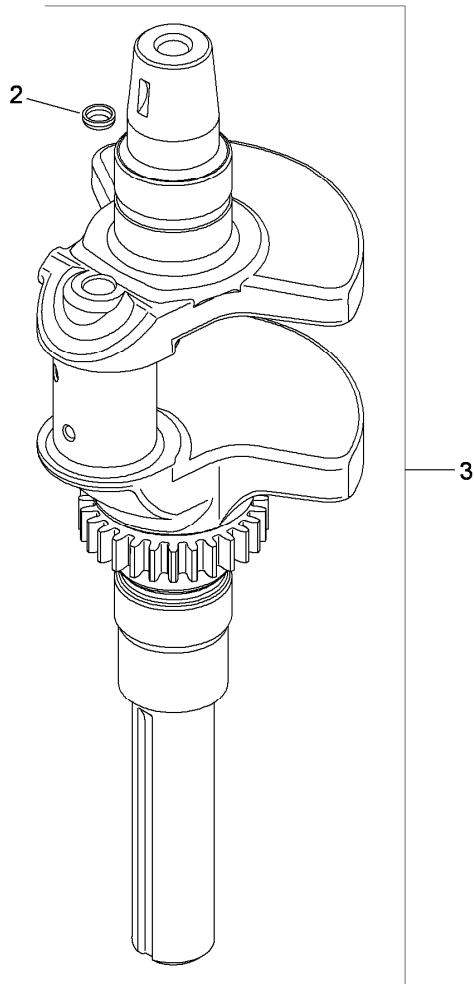
Ref.	Part Number	Qty.	Description
15	3290-465	3	Washer-Belleville
16	106-2248-03	3	Stiffener-Blade
17	110-6837-03	3	Blade-17.5 Inch, High Lift
19	80-4360	3	Shield-Bearing
20	80-4380	3	Spacer
21	117-1192	3	Shaft-Spindle
22		3	Spindle ASM ●
22:1	88-4510	1	Housing-Spindle
22:2	100-1048	2	Bearing-Ball
22:3	62-3661	1	Spacer
23	112-3973	1	Hook-Return, Spring
24	1-603414	1	Spring-Extension
26	323-10	1	Screw-HH

● Not serviced separately



Electrical Assembly

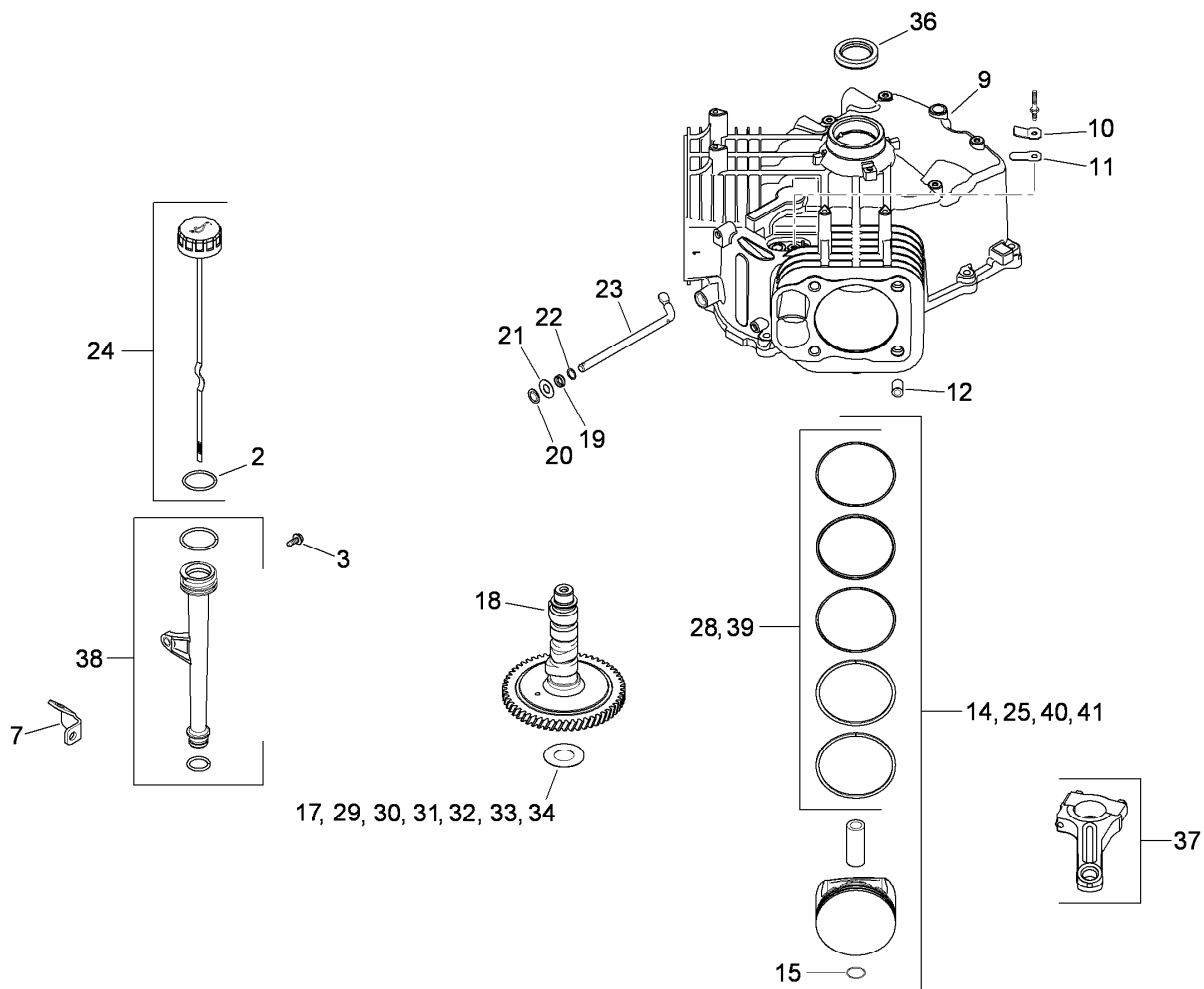
Ref.	Part Number	Qty.	Description
1	104-2493	1	Battery
2	110-6764	1	Switch-Ignition
3	63-8360	1	Key-Ignition
4	93-9998	1	Switch-PTO
5	32103-22	1	Nut-Wing
6	110-6765	2	Switch-Single Pole No
7	82-2190	1	Switch-Bail
8	117-1197	1	Solenoid
9	110-6794	1	Cable-Battery, Red
10	3229-1	1	Screw-CARR
11	110-6793	1	Cable-Battery, Black
12	104-2466	1	Holddown-Battery
13	321-3	1	Screw-HH
14	117-1216	1	Harness-Wiring
14:1	109103	1	Fuse-30 Amp
14:2	109102	1	Fuse-25 Amp
14:3	100-4918	1	Diode
15	3256-22	2	Washer-Flat
16	32144-1	3	Screw-Taptite
17	110-6792	1	Cable-Battery, Red
18	32128-33	2	Nut-HF
19	98-7249	1	Relay
20	46-8560	2	Screw-HHF
21	3220-2	2	Nut-Jam



Crankshaft Assembly Kohler SV730-0029

<i>Ref.</i>	<i>Part Number</i>	<i>Qty.</i>	<i>Description</i>
2	52 139 09-S	1	Plug-Cup ●
3	32 014 04-S	1	Crankshaft ASM (Includes 2) ●

● Obtain parts from www.kohlerplus.com



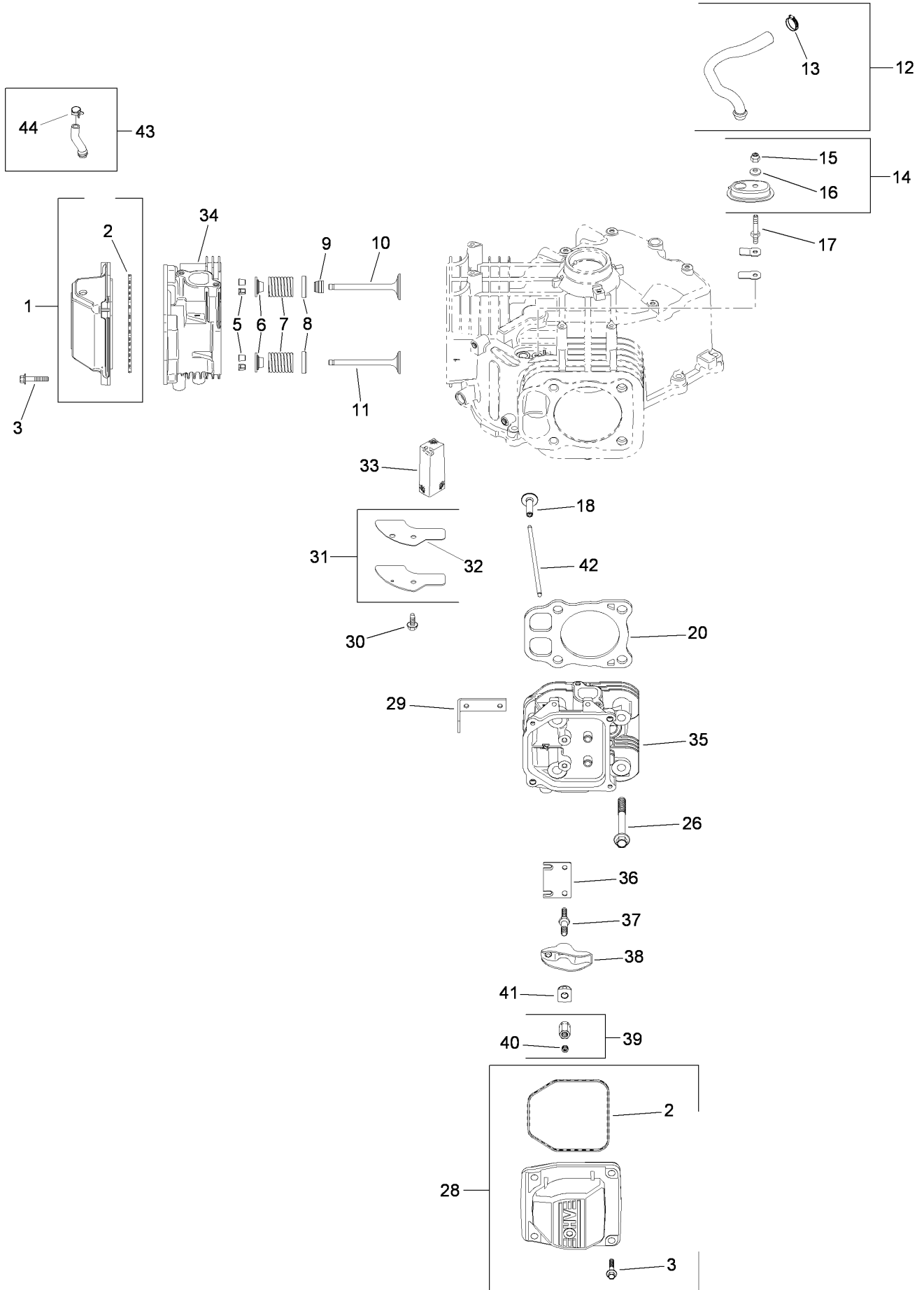
Crankcase Assembly Kohler SV730-0029

Ref.	Part Number	Qty.	Description	Ref.	Part Number	Qty.	Description
2	25 153 02-S	1	O-Ring (Dipstick) ■	25	25 874 03-S	2	Piston W/Ring Set (.25) ■
3	M-545013-S	1	Screw-Flg, Thd Frm (M5X0.8X13) ■	28	24 108 16-S	2	Piston Ring Set (.25) ■
7	24 126 19-S	1	Bracket-Tube, Oil Fill ■	29	12 422 08-S	1	Shim-Camshaft (Blue .03) ■
9	32 522 03	1	Sv710-740 Shortblock ■	30	12 422 09-S	1	Shim-Camshaft (Red .032) ■
10	24 018 04-S	1	Retainer-Reed, Breather ■	31	12 422 10-S	1	Shim-Camshaft (Yellow .034) ■
11	12 402 02-S	1	Reed-Breather ■	32	12 422 11-S	1	Shim-Camshaft (Green .036) ■
12	24 380 13-S	6	Pin-Locating ■	33	12 422 12-S	1	Shim-Camshaft (Gray .038) ■
14	25 874 01-S	2	Piston W/Ring Set (STD) (Includes 15, 39) ■	34	12 422 13-S	1	Shim-Camshaft (Black .04) ■
15	24 018 01-S	4	Retainer-Pin, Piston ■	36	24 032 19-S	1	Seal-Oil (Helix Lip) ■
17	12 422 07-S	1	Shim-Camshaft (White .028) ■	37	24 067 24-S	2	Rod-Connecting (STD) ■
18	32 012 01-S	1	Camshaft Kit (Includes 25 357 14-S) ■	38	25 123 07-S	1	Dipstick Tube ASM ■
19	28 032 09-S	1	Seal-Cross Shaft, Governor ■	39	24 108 14-S	1	Piston Ring Set (STD) ■
20	24 018 09-S	1	Retainer-Ring ■	40	32 874 09-S	1	Piston W/Ring Set (.08) (Use 24 874 27-S Kit) ■
21	M-931010-S	1	Washer-Flat (9Mm) ■	41	24 874 27-S	1	Piston W/Ring Set (.08) (Use 25 874 02-S Kit) ■
22	24 468 15-S	1	Washer-Flat (11/32) ■				
23	24 144 38-S	1	Shaft-Cross, Governor ■				
24	24 038 04-S	1	Dipstick ASM (Includes 2) ■				
				25	357 14-S	1	Lubricant-Camshaft ■●

● Not illustrated

■ Obtain parts from www.kohlerplus.com

Head, Valve and Breather Assembly Kohler SV730-0029

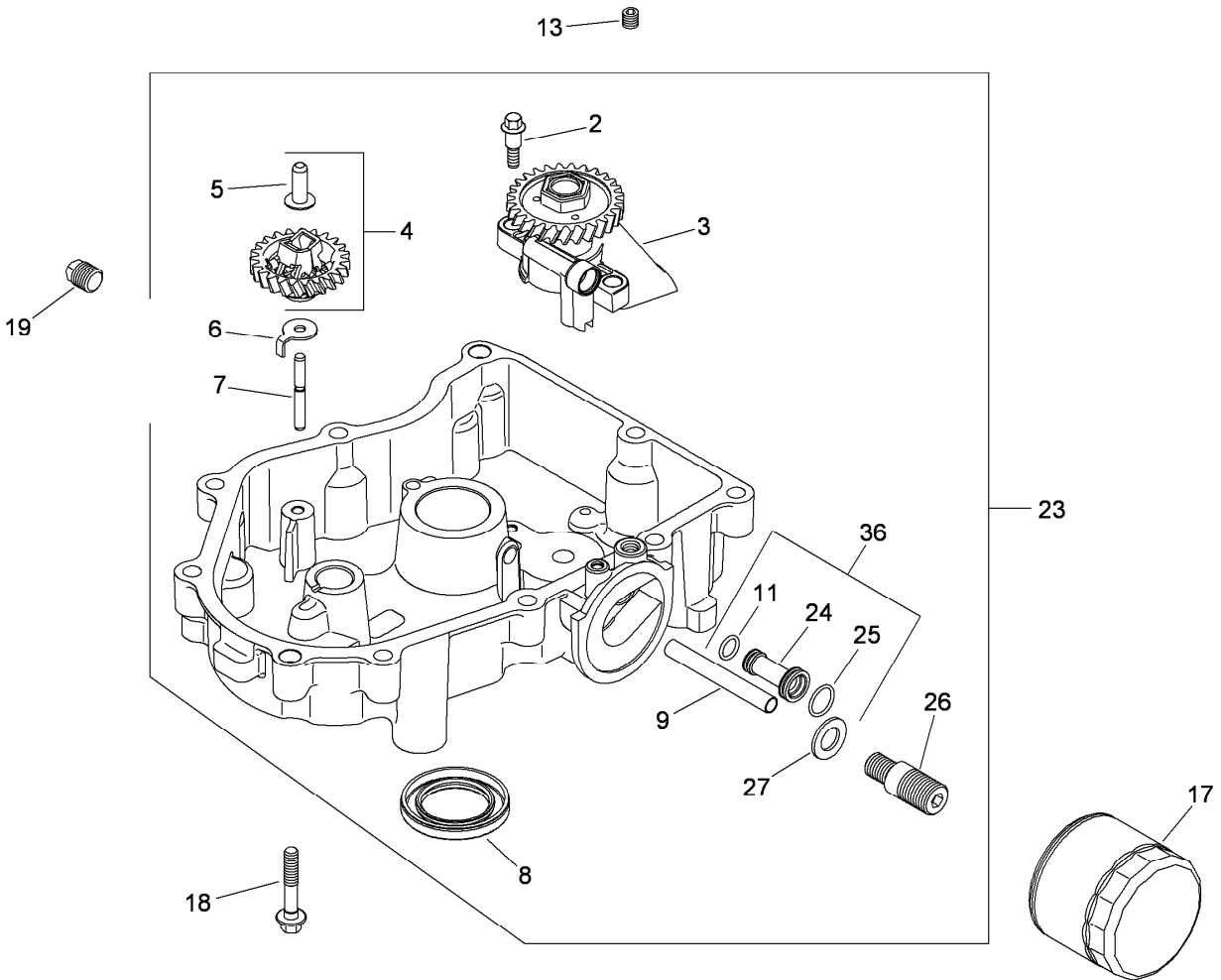


Head, Valve and Breather Assembly Kohler SV730-0029 (continued)

<i>Ref.</i>	<i>Part Number</i>	<i>Qty.</i>	<i>Description</i>	<i>Ref.</i>	<i>Part Number</i>	<i>Qty.</i>	<i>Description</i>
1	32 096 06-S	1	Breather Valve Cover Kit (Includes 2 [qty 1]) ■	31	32 096 04-S	1	Breather Cover Kit (Includes 32) ■
2	24 153 30-S	2	O-Ring (Valve Cover) ■	32	32 041 01-S	1	Gasket-Cover, Breather ■
3	M-651030-S	8	Screw-Flange (M6X1.0X30) ■	33	32 050 01-S	1	Filter-Breather ■
5	12 755 03-S	4	Retainer Kit ■	34	32 318 13-S	1	Cylinder Head No.1 ASM (Includes Exhaust Mounting Hardware) ■
6	12 173 01-S	4	Cap-Spring, Valve ■	35	32 318 14-S	1	Cylinder Head No.2 ASM (Includes Exhaust Mounting Hardware) ■
7	24 089 02-S	4	Spring-Valve ■	36	32 146 09-S	2	Plate-Guide ■
8	235011-S	4	Retainer-Spring ■	37	32 072 04-S	4	Stud-Rocker ■
9	66 032 05-S	2	Seal-Stem, Valve ■	38	32 186 03-S	4	Arm-Rocker ■
10	24 017 01-S	2	Valve-Intake (STD) ■	39	32 100 05-S	4	Hex Nut ASM (Includes 40) ■
11	24 016 01-S	2	Valve-Exhaust (STD) ■	40	25 086 168-S	4	Screw-Set ■
12	32 326 06-S	1	Breather Hose Kit (Includes 13) ■	41	25 599 01-S	4	Pivot-Arm, Rocker ■
13	25 237 14-S	1	Clamp-Hose, Spring (1/2) ■	42	32 411 04-S	4	Rod-Push (After S/N 3633510943) ■
14	32 081 02-S	1	Breather Housing Kit (Includes 15, 16) ■	43	32 326 07-S	1	Fuel Pump Hose W/Clamp Kit (Includes 44) ■
15	M-547050-S	1	Nut-Lock (M5X.8) ■	44	25 237 01-S	1	Clamp-Hose ■
16	32 468 01-S	1	Washer-Sealing ■		24 041 49-S	1	Gasket-Exhaust ■●
17	32 072 03-S	1	Stud-Cover, Breather ■		24 153 27-S	1	O-Ring (Intake Port) ■●
18	32 019 02-S	4	Tappet Kit ■		32 755 03-S	2	Cylinder Head Hardware Kit (Services 1 Head-Qtys Listed For Both Heads) (Includes 5-11, 19, 22, 25, 34) ■●
20	32 841 01-S	2	Cylinder Head Gasket Kit (Includes 26[qty 4], 24 041 49-S, 24 153 27-S) ■				
26	12 086 16-S	8	Screw-Flange (M10X1.5X90) ■				
28	24 755 141-S	1	Plain Rocker Cover Kit (Includes 2 [qty 1], 3 [qty 4]) ■				
29	24 445 01-S	1	Strap-Lifting ■				
30	M-645016-S	1	Screw-Flange, Thread Forming (M6X1.0X16) ■				

● Not illustrated

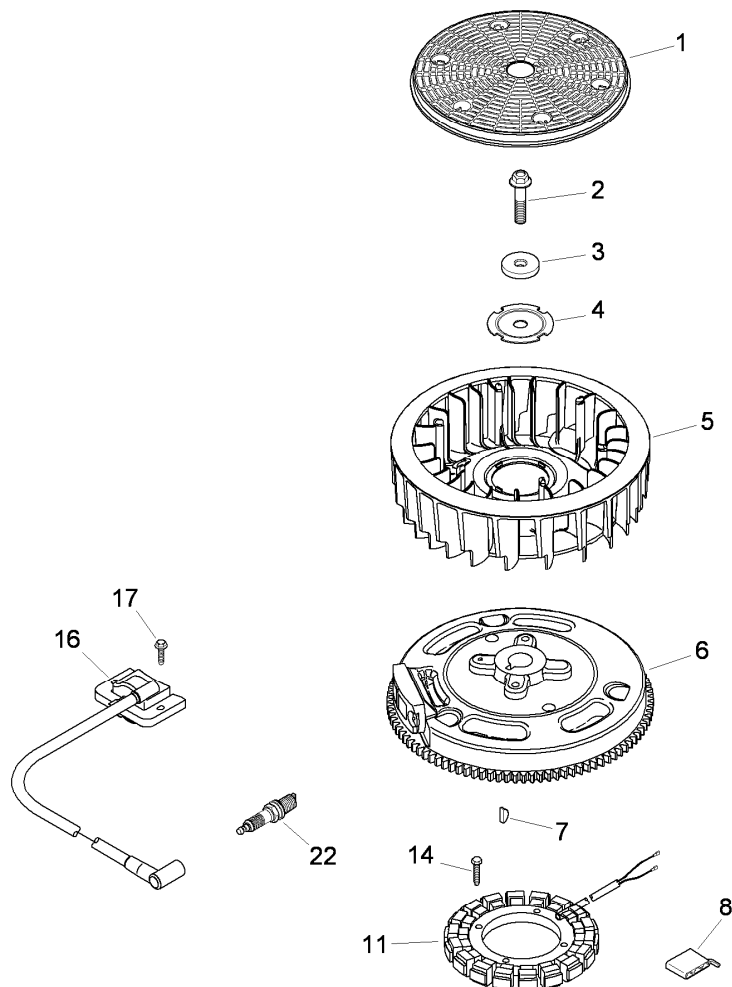
■ Obtain parts from www.kohlerplus.com



Oil Pan and Lubrication Assembly Kohler SV730-0029

Ref.	Part Number	Qty.	Description
2	32 086 01-S	2	Screw-Shoulder, Thd Frm (M6X1.0X26.5) ●
3	32 393 10-S	1	Oil Pump ASM ●
4	24 043 12-S	1	Governor Gear W/Pin Kit (Includes 5) ●
5	12 380 01-S	1	Pin-Regulating, Governor ●
6	24 448 02-S	1	Tab-Locking ●
7	12 144 02-S	1	Shaft-Gear, Governor ●
8	25 032 06-S	1	Seal-Oil ●
9	32 123 01-S	1	Tube-Feed, Oil (Filter To Pan) ●
11	24 153 01-S	2	O-Ring ●
13	25 139 60-S	1	Plug-Pipe, Countersunk (1/8) ●
17	12 050 01-S	1	Filter-Oil ●
18	24 086 17-S	10	Screw-Flange (M8X1.25X45) ●
19	25 139 57-S	1	Plug-Pipe, Sq HD (3/8) ●
23	32 199 07-S	1	Oil Pan ASM (Includes 2-9, 11 [qty 1], 24-27) ●
24	32 123 06-S	1	Tube-Feed, Oil ●
25	32 153 05-S	1	O-Ring ●
26	32 136 05-S	1	Nipple-Filter, Oil ●
27	32 468 02-S	1	Washer-Flat ●
36	32 123 09-S	1	Oil Feed Tube ASM (Includes 11 [qty 1], 24, 25) ●

● Obtain parts from www.kohlerplus.com

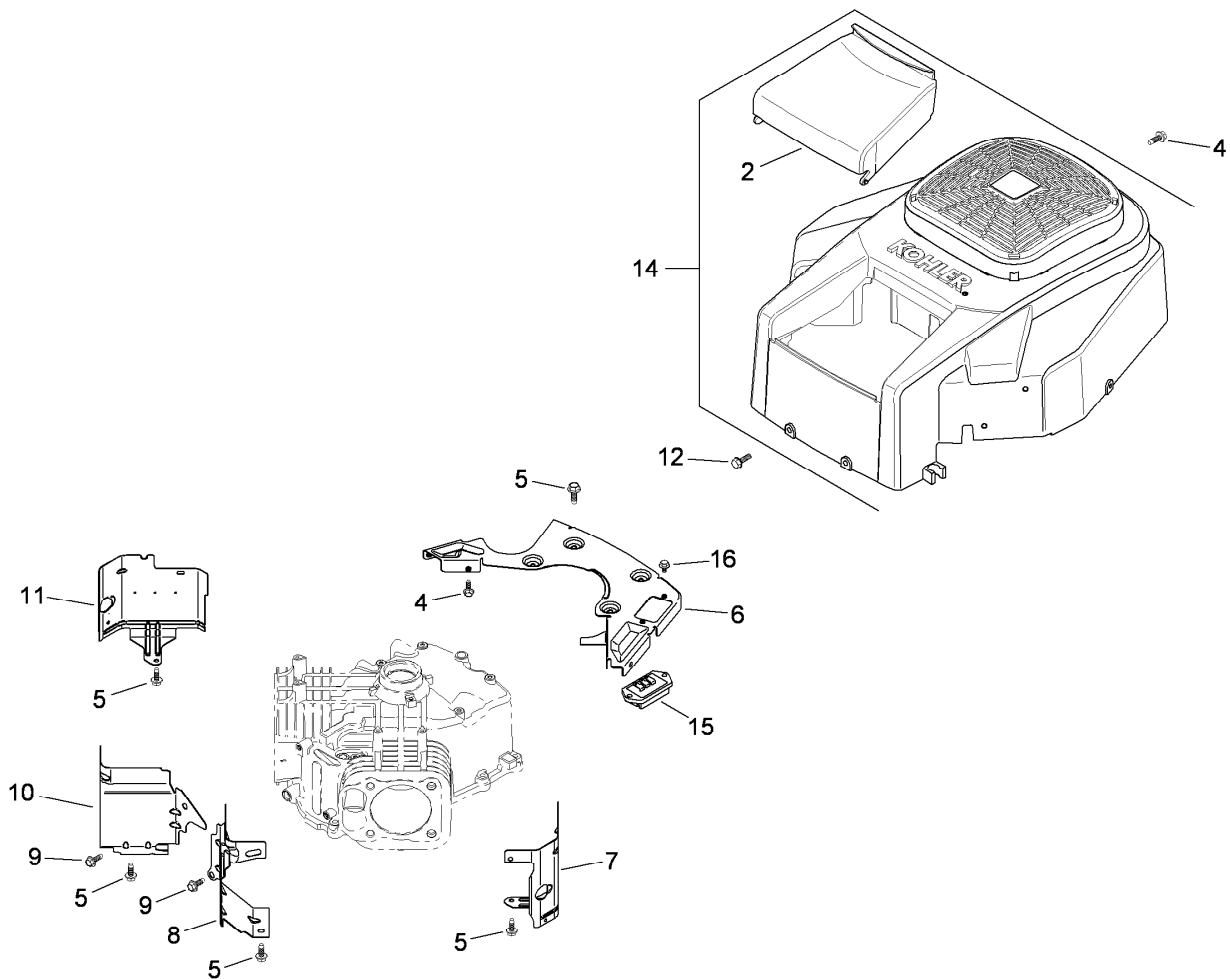


Ignition and Electrical Assembly Kohler SV730-0029

Ref.	Part Number	Qty.	Description
1	32 162 03-S	1	Screen-Grass ■
2	12 086 14-S	1	Screw-Flange (M10X1.5X45) ■
3	12 468 03-S	1	Washer-Flat (13/32) ■
4	20 146 05-S	1	Plate-Mounting, Fan ■
5	32 157 01-S	1	Fan ■
6	32 025 16-S	1	Flywheel ASM ■
7	X-42-15-S	1	Key (3/16 X 5/8) ■
8	25 155 41-S	1	Connector (3 Contact) ■
11	237878-S	1	15 Amp Stator Kit (Includes 25 452 01-S) ■
14	M-548025-S	2	Screw-Thread Forming (M5X0.8X25) ■
16	25 584 05-S	2	Ignition Module (Use 24 584 45-S) ■
17	M-545020-S	4	Screw-Flange, Thread Forming (M5X.8X20) ■
22	25 132 14-S	2	Spark Plug (R F I) ■
	25 454 03-S	2	Tie-Wire ■●
	25 452 01-S	2	Terminal ■●
	32 176 14-S	1	Wire Harness Kit ■●

● Not illustrated

■ Obtain parts from www.kohlerplus.com

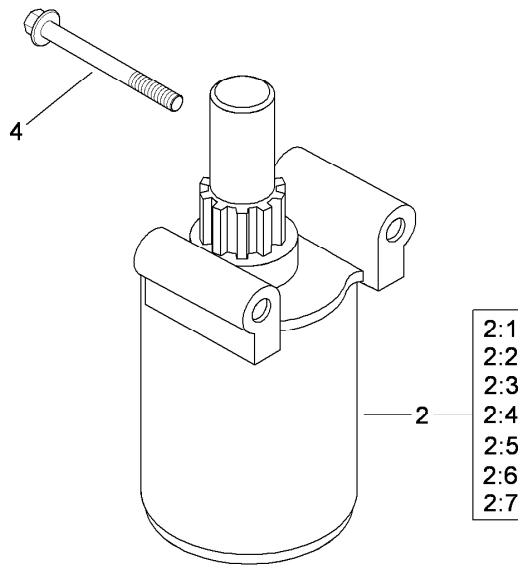


Blower Housing Assembly Kohler SV730-0029

Ref.	Part Number	Qty.	Description
2	32 096 08-S	1	Cover-Cleaner, Air ■
4	M-545016-S	6	Screw-Flange, Thread Forming (M5X0.8X16) ■
5	M-645016-S	8	Screw-Flange, Thread Forming (M6X1.0X16) ■
6	32 146 05-S	1	Plate-Backing ■
7	32 063 12-S	1	Baffle-Barrel, Cylinder (No.2 Side) ■
8	32 063 02-S	1	Baffle-Valley (No.2 Side) ■
9	M-545010-S	2	Screw-HHFTF (M5X.80X10) ■
10	32 063 03-S	1	Baffle-Valley (No.1 Side) ■
11	32 063 10-S	1	Baffle-Barrel, Cylinder (No.1 Side) ■
12	24 086 12-S	2	Screw-TAP (M6X1.7X18) ■
14	32 027 08-S	1	Blower Housing ASM (Fixed Guard) (Includes 2, 41 037 10-S) ■
15	41 403 10-S	1	Rectifier/Regulator ■
16	25 086 158-S	2	Screw-Flanged, Thread Forming (M6X1.0X11) ■
	41 037 10-S	1	Nameplate-Service ■●

● Not illustrated

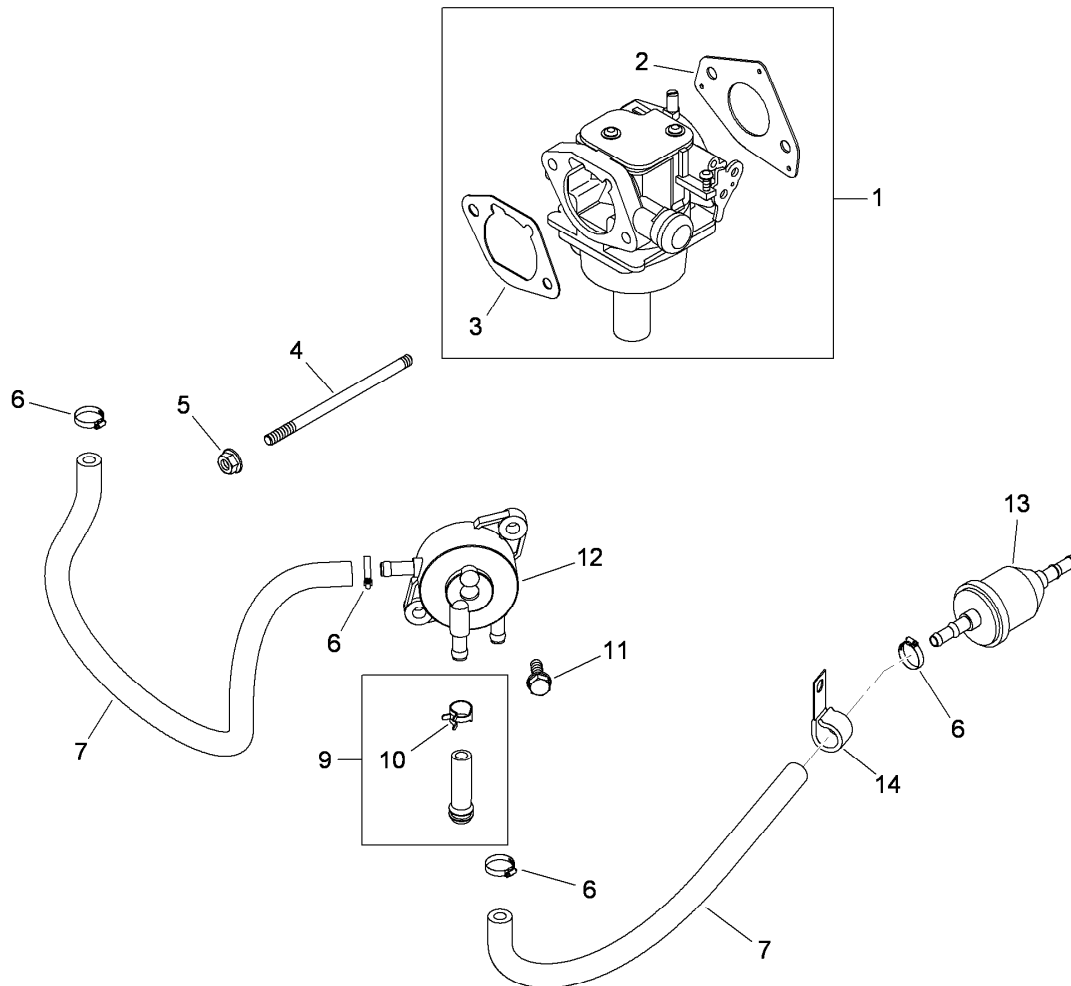
■ Obtain parts from www.kohlerplus.com



Starter Assembly Kohler SV730-0029

<i>Ref.</i>	<i>Part Number</i>	<i>Qty.</i>	<i>Description</i>
2	32 098 01-S	1	Starter ASM ●
2:1	12 755 39-S	1	Drive Kit ●
2:2	12 755 38-S	1	Drive Part Kit ●
2:3	32 141 01-S	1	Ring-Retaining ●
2:4	12 100 07-S	1	Nut-Flange, Hex (1/4-20) ●
2:5	12 243 04-S	1	Commutator-Cap, End ●
2:6	32 211 01-S	2	Bolt-Thru ●
2:7	32 227 01-S	1	Cap-End, Drive ●
4	M-851080-S	2	Screw-Flange (M8X1.25X80) ●

● Obtain parts from www.kohlerplus.com

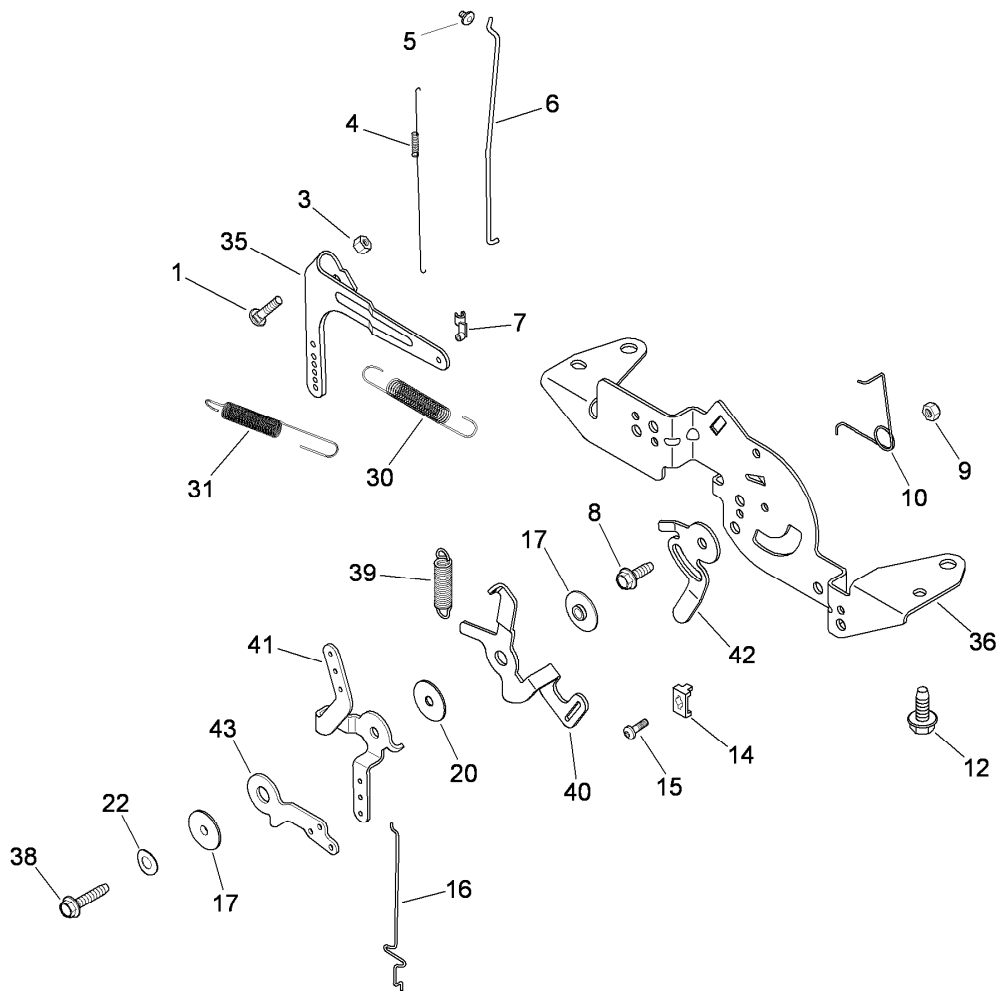


Fuel System Assembly Kohler SV730-0029

Ref.	Part Number	Qty.	Description
1	32 853 12-S	1	Carburetor Kit (22Mm Keihin) (Includes 2, 3) ■
2	24 041 52-S	1	Gasket-Carburetor ■
3	24 041 14-S	1	Gasket-Base, Air Cleaner ■
4	M-629105-S	2	Stud (M6X1.0X106) ■
5	M-641060-S	2	Nut-Flange (M6X1.0) ■
6	25 237 14-S	4	Clamp-Hose, Spring (1/2) ■
7	25 111 34-S	2	Line-Fuel (24.0 Cut To Length) ■
9	32 326 02-S	1	Fuel Pump Hose Kit (W/Clamp) (Includes 10) ■
10	25 237 01-S	1	Clamp-Hose ■
11	24 086 12-S	2	Screw-TAP (M6X1.7X18) ■
12	24 393 16-S	1	Pump-Fuel ■
13	25 050 22-S	1	Filter-Fuel ■
14	47 154 01-S	1	Clip-Cable ■
	24 757 36-S	1	Choke Repair/Service Kit (Includes 2, 3) ■ ●
	24 757 38-S	1	Gasket Repair/Service Kit (Includes 2, 3) ■ ●
	24 757 44-S	1	Float Repair Kit (Includes 2, 3) ■ ●
	24 757 45-S	1	Solenoid Valve Repair Kit (Includes 2, 3) ■ ●
	24 757 46-S	1	Overhaul Kit W/Gaskets (Includes 2, 3) ■ ●

● Not illustrated

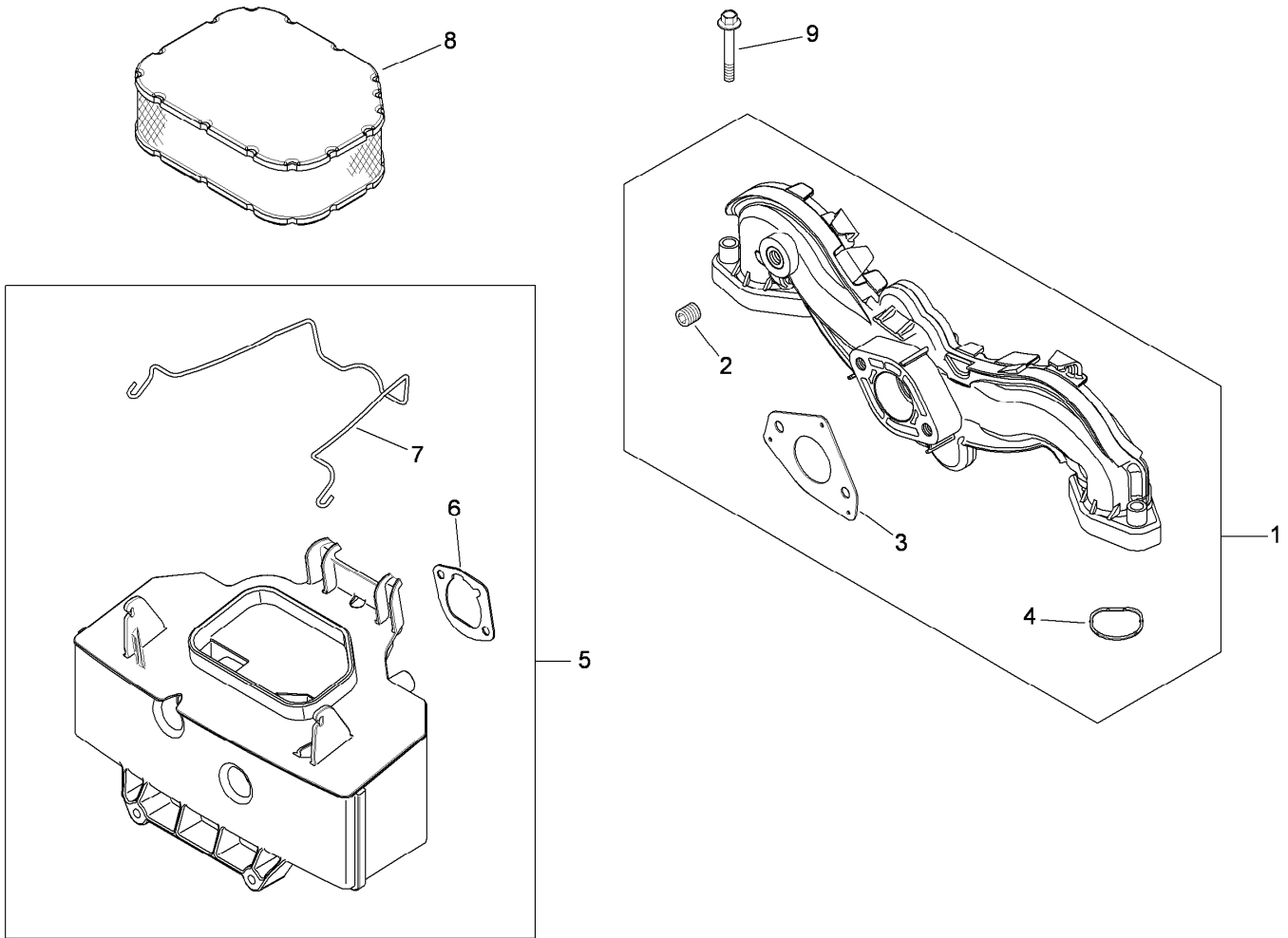
■ Obtain parts from www.kohlerplus.com



Engine Control Assembly Kohler SV730-0029

Ref.	Part Number	Qty.	Description	Ref.	Part Number	Qty.	Description
1	24 211 03-S	1	Bolt-Sq Neck, Rd HD (M6X1.0X25) ●	16	24 079 22-S	1	Linkage-Choke ●
3	M-641060-S	1	Nut-Flange (M6X1.0) ●	17	24 112 27-S	2	Control Spacer ASM ●
4	24 089 01-S	1	Spring-Linkage ●	20	24 468 01-S	1	Washer-Flat (5.5Mm) ●
5	25 158 08-S	1	Bushing-Linkage, Throttle ●	22	41 468 03-S	1	Washer-Spring (1/4) ●
6	24 079 04-S	1	Linkage-Throttle ●	30	24 089 55-S	1	Spring-Governor ●
7	25 158 11-S	1	Bushing-Retaining, Linkage ●	31	24 089 25-S	1	Spring-Governor ●
8	M-545016-S	1	Screw-Flange, Thread Forming (M5X0.8X16) ●	35	24 090 51-S	1	Lever-Governor ●
9	M-547050-S	1	Nut-Lock (M5X.8) ●	36	24 126 172-S	1	Bracket-Control ●
10	24 089 03-S	1	Spring-Return, Choke ●	38	25 086 151-S	1	Screw-Thread Forming (M5X0.8X25Mm) ●
12	M-645016-S	4	Screw-Flange, Thread Forming (M6X1.0X16) ●	39	32 089 03-S	1	Spring-Control, Speed ●
14	12 237 01-S	1	Clamp-Cable ●	40	32 090 07-S	1	Lever-Spring, Governor ●
15	24 086 43-S	1	Screw-Lbd, Thd Frm (M5X0.8X16) ●	41	32 090 08-S	1	Lever-Control, Speed ●
				42	32 090 09-S	1	Lever-Setting, Speed ●
				43	32 090 10-S	1	Lever-Choke ●

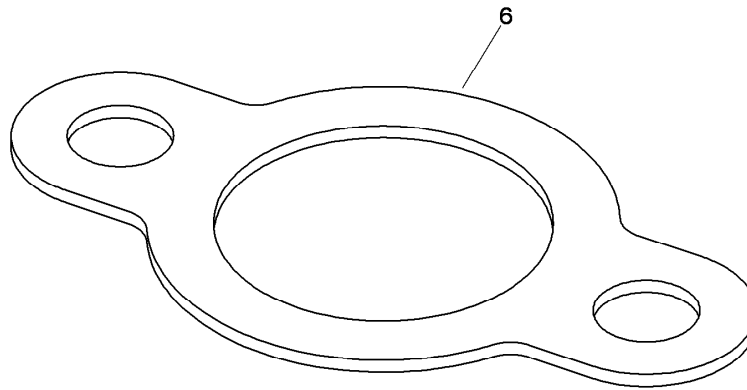
● Obtain parts from www.kohlerplus.com



Air Intake and Filtration Assembly Kohler SV730-0029

<i>Ref.</i>	<i>Part Number</i>	<i>Qty.</i>	<i>Description</i>
1	24 164 91-S	1	Intake Manifold ASM (Includes 2-4) ●
2	24 041 52-S	1	Gasket-Carburetor ●
3	24 153 27-S	2	O-Ring (Intake Port) ●
4	25 139 60-S	1	Plug-Pipe, Countersunk (1/8) ●
5	32 094 04-S	1	Air Cleaner Base Kit (Includes 6, 7) ●
6	24 041 14-S	1	Gasket-Base, Air Cleaner ●
7	32 344 02-S	1	Latch-Element, Air Cleaner ●
8	32 083 03-S	1	Element-Filter, Air ●
9	M-651040-S	4	Screw-Flange (M6X1.0X40) ●

● Obtain parts from www.kohlerplus.com

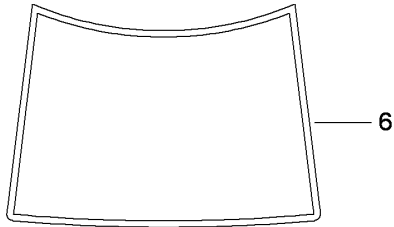
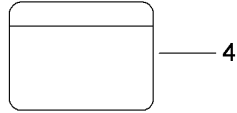
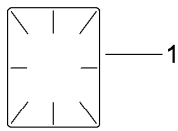


Gaskets Kohler SV730-0029

<i>Ref.</i>	<i>Part Number</i>	<i>Qty.</i>	<i>Description</i>
6	24 041 49-S	2	Gasket-Exhaust ■
	32 755 01-S	1	Overhaul Gasket Kit ■●

● Not illustrated

■ Obtain parts from www.kohlerplus.com



Artwork is representative
Actual labels may differ depending on model and specification number

Decals Kohler SV730-0029

<i>Ref.</i>	<i>Part Number</i>	<i>Qty.</i>	<i>Description</i>
1	25 113 39-S	1	Decal-Laminate, Clear ●
4	32 113 60-S	1	Decal-Check, Fill ●
6	32 113 08-S	1	Decal-25 Hp ●

● Obtain parts from www.kohlerplus.com

Attachments and Accessories

For 74375 TimeCutter Z5060 Riding Mower

Product Name	Model/Part
Hour Meter Kit.....	112-9763
Deck Ring Kit.....	114-1608
Striping Kit.....	114-8545
Replacement Blade Kit (3 Blades).....	79221
50 Inch Recycler Kit.....	79312
Engine Cover Kit.....	79314
Floor Mat Kit.....	79315
Storage Cover.....	79317
Rear Hitch Kit.....	79318
Sunshade.....	79319
42 Inch and 50 Inch Twin Bagger.....	79324
10 cu. ft. Poly Dump Cart.....	79991



Count on it.