



Count on it.

Parts Catalog

TimeCutter® Z4202 Riding Mower

Model No. 74381—Serial No. 31000001 and Up

Ordering Replacement Parts

To order replacement parts, please supply the part number, the quantity, and the description of each part desired.

Understanding Reference Numbers

Each identified part in an illustration has a reference number. The reference number for a part also appears in the parts list, along with other information about the part.

This catalog uses two special reference number formats, one to indicate parts in a service assembly and another to indicate the quantity of a given part in an illustration.

Service Assembly Reference Numbers

Parts in service assemblies have reference numbers in the form a:b. The a represents the reference number of the entire service assembly and the b represents a sequential number unique to each part within the service assembly.

For example, a wheel assembly might be identified by reference number 6, the tire by 6:1, the valve by 6:2, and the wheel by 6:3. When you order the assembly identified by reference number 6, you receive all parts identified by reference numbers 6:1, 6:2, and 6:3. However, you may also order any part individually. Reference numbers of this type appear in illustration and in parts lists.

Reference Numbers Indicating Quantity

In an illustration, if a reference number indicates more than one part, the reference number has the form nX y. The n represents the quantity of the part, the X is the multiplication symbol, and the y represents the reference number.

For example, in an illustration, the reference number 2X 37 means that two of the parts identified by reference number 37 are indicated.

List of Abbreviations

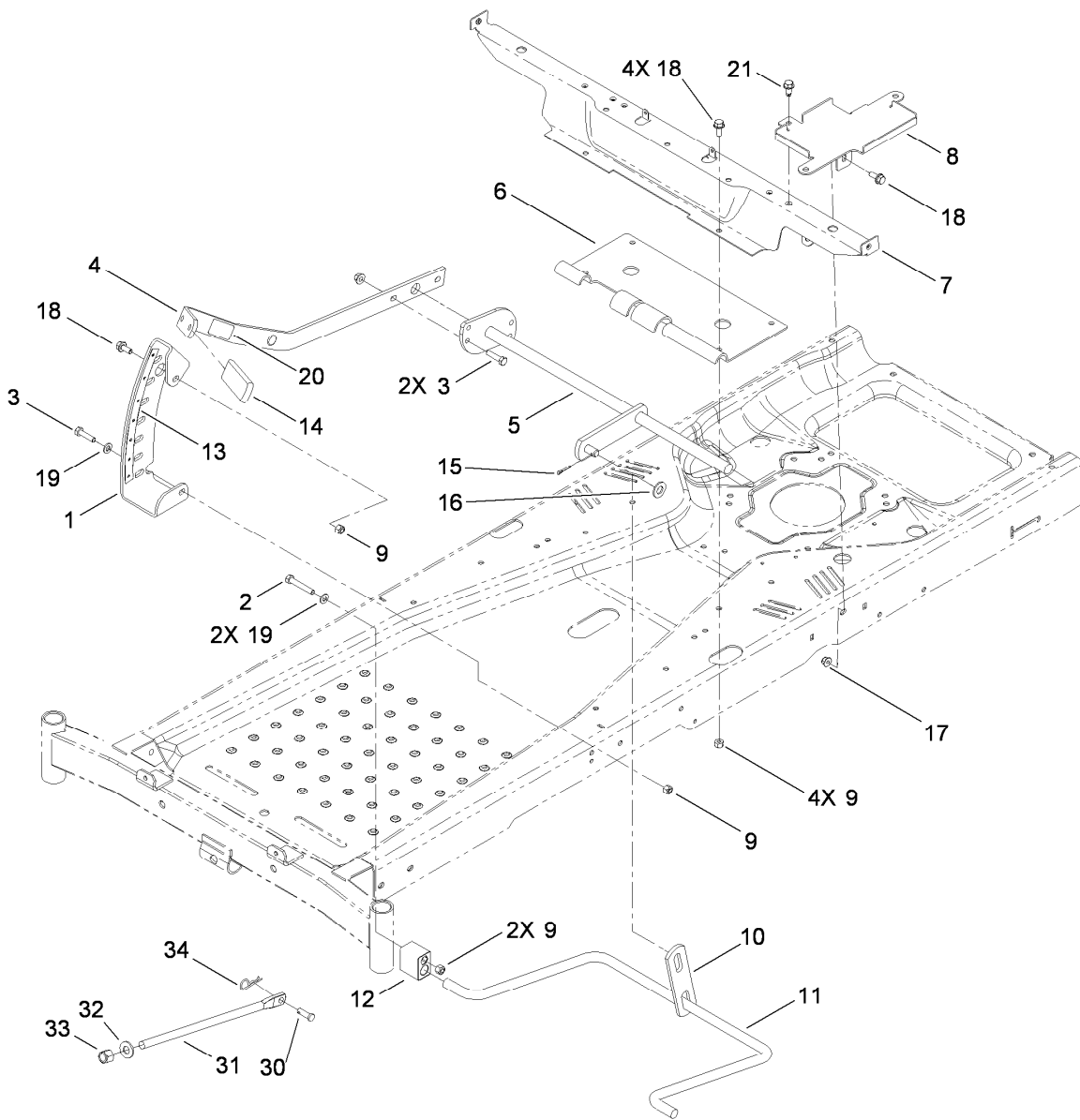
AR: as required
ASM: assembly
BBC: blade brake clutch
CARR: carriage
CCW: counter clock wise
CW: clockwise
DEG: degrees
ECM: electronic control module
EXT: external
FH: flat head
GA: gauge
HD: heavy-duty
HF: hex flange
HH: hex head
HHF: hex head flange
HHFTF: hex head flange thread forming
HJ: hex jam
HLH: hex lag head
HOC: height-of-cut

HSBH: hex socket button head
HSFH: hex socket flat head
HSH: hex socket head
HWH: hex washer head
HWHTF: hex washer head thread forming
HYD: hydraulic
LH: left hand
NI: nylon insert
NPTF: national pipe thread fine
PFH: phillips flat head
PPH: phillips pan head
PPHTF: phillips pan head thread forming
PRH: phillips round head
PTH: phillips truss head
PTO: power-take-off
RH: right hand
ROPS: roll-over protection system
RRB: rear roller brush

SFH: slotted fillister head
SHH: slotted hex head
SHWH: slotted hex washer head
SPH: slotted pan head
SQH: square head
SRH: slotted round head
STD: standard
TAP: self tapping
TTH: torx truss head

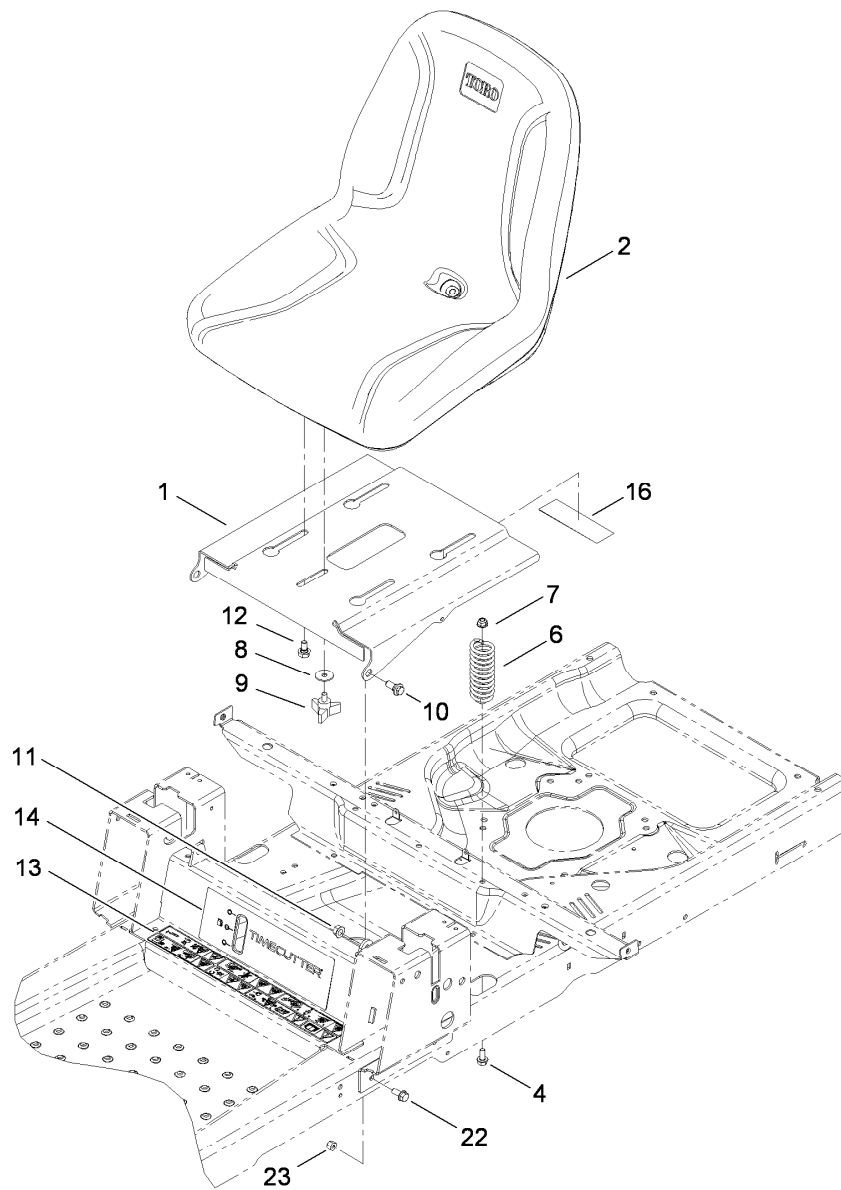
Contents

Frame and Caster Wheel Assembly	4
Deck Lift Assembly.....	5
Seat Assembly	6
Motion Control Assembly	7
Hydro Traction Drive Assembly	8
RH Hydro Assembly No. 110-6771	9
LH Hydro Assembly No. 110-6770	11
Engine and Clutch Assembly	13
Fuel Delivery and Body Styling Assembly	14
Electrical Assembly	15
42 Inch Deck Assembly.....	16
42 Inch Deck and Decal Assembly No. 117-1290	17
42 Inch Deck Baffle Assembly	18
42 Inch Deck Spindle and Belt Drive Assembly.....	19
Attachments and Accessories	20



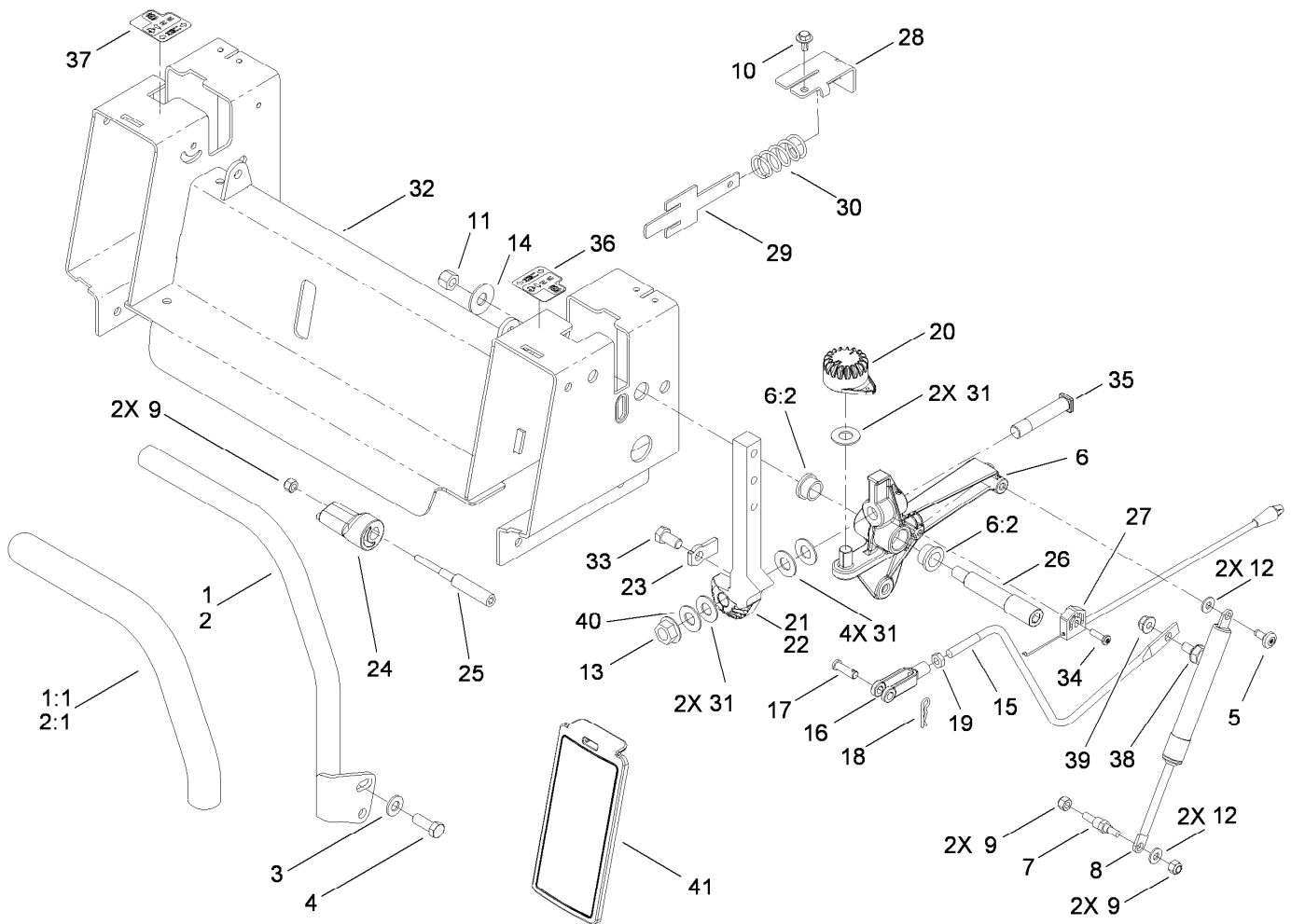
Deck Lift Assembly

<i>Ref.</i>	<i>Part Number</i>	<i>Qty.</i>	<i>Description</i>	<i>Ref.</i>	<i>Part Number</i>	<i>Qty.</i>	<i>Description</i>
1	112-4027-03	1	Sector-HOC	14	105-3450	1	Grip-Lever, Lift
2	322-10	2	Screw-HH	15	3272-10	1	Pin-Cotter
3	322-6	3	Screw-HH	16	3256-26	1	Washer-Flat
4	112-3960-03	1	Lift Arm ASM	17	104-8300	3	Nut-Flange, NI
5	108-7841-03	1	Lift Lever ASM	18	3234-47	6	Screw-HHF
6	110-6800-03	1	Plate-Lift	19	3256-23	3	Washer-Flat
7	110-6805-03	1	Bracket-Seat/Pods	20	106-8743	1	Decal-HOC
8	110-1937-03	1	Tray-Battery	21	32104-32	1	Screw-HWH
9	3296-29	8	Nut-Lock, NI	30	1-808284	1	Pin-Clevis
10	108-7840	1	Link-Lift	31	108-7847	1	Rod-Lift
11	108-7839	1	Arm-Lift, Rear	32	87-7270	1	Washer-Thrust
12	108-7845	2	Block-Pivot	33	3296-23	1	Nut-Lock, NI
13	110-6824	1	Decal-HOC	34	9335054	1	Pin-Hair



Seat Assembly

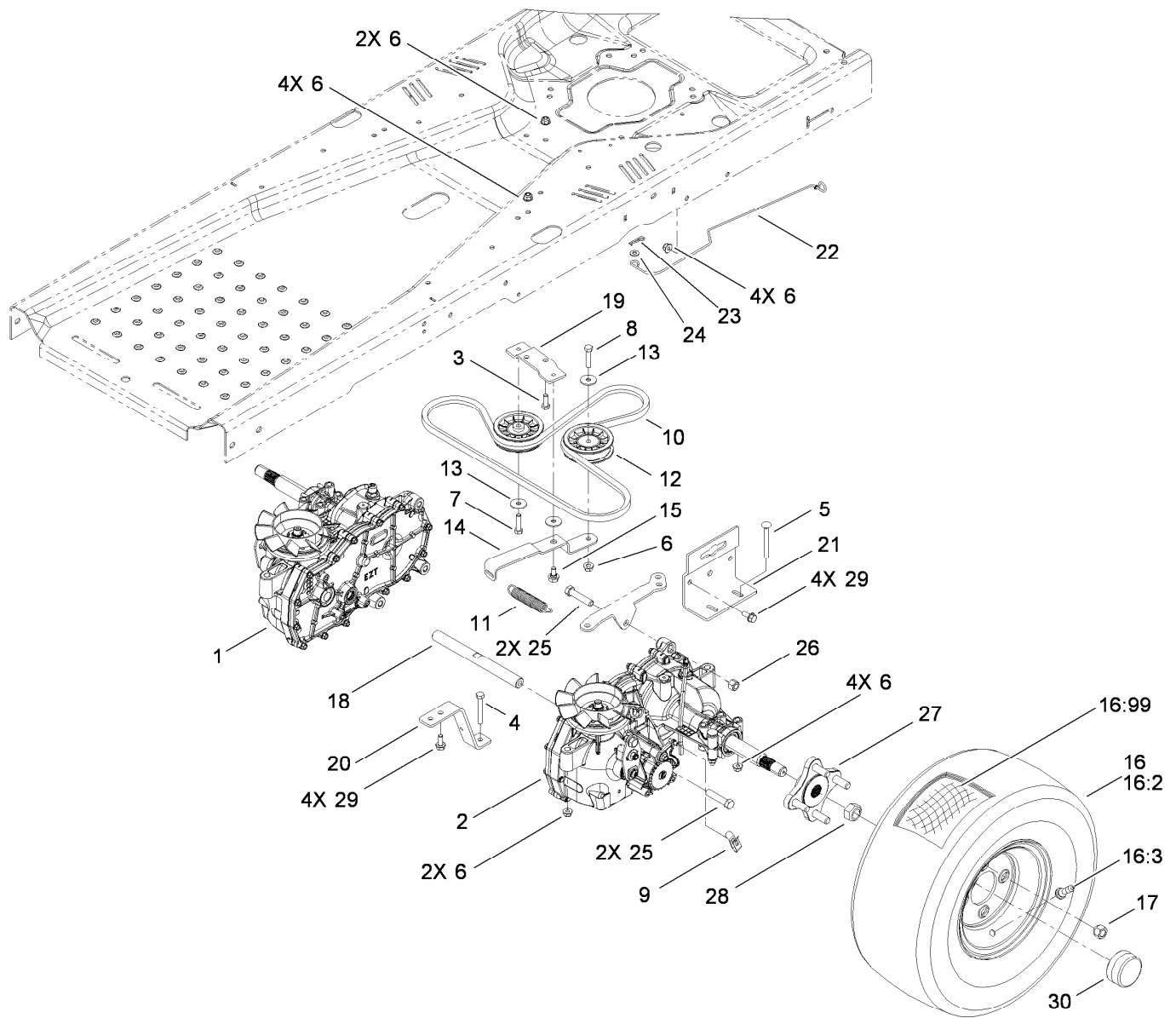
<i>Ref.</i>	<i>Part Number</i>	<i>Qty.</i>	<i>Description</i>
1	115-2465-03	1	Base-Seat
2	117-1226	1	Seat-18 Inch
4	3234-47	2	Screw-HHF
6	92-7054	2	Spring-Compression
7	104-8300	2	Nut-Flange, NI
8	5-4460	1	Washer-Pivot
9	92-9674	1	Knob
10	94-7582	2	Bolt-Shoulder
11	32128-21	2	Nut-HF
12	37-8771	4	Bolt-Shoulder
13	115-2469	1	Decal-Danger
14	115-2490	1	Decal-Timecutter
16	106-8717	1	Decal-Service
22	3234-7	7	Screw-HHF
23	3296-29	7	Nut-Lock, NI



Motion Control Assembly

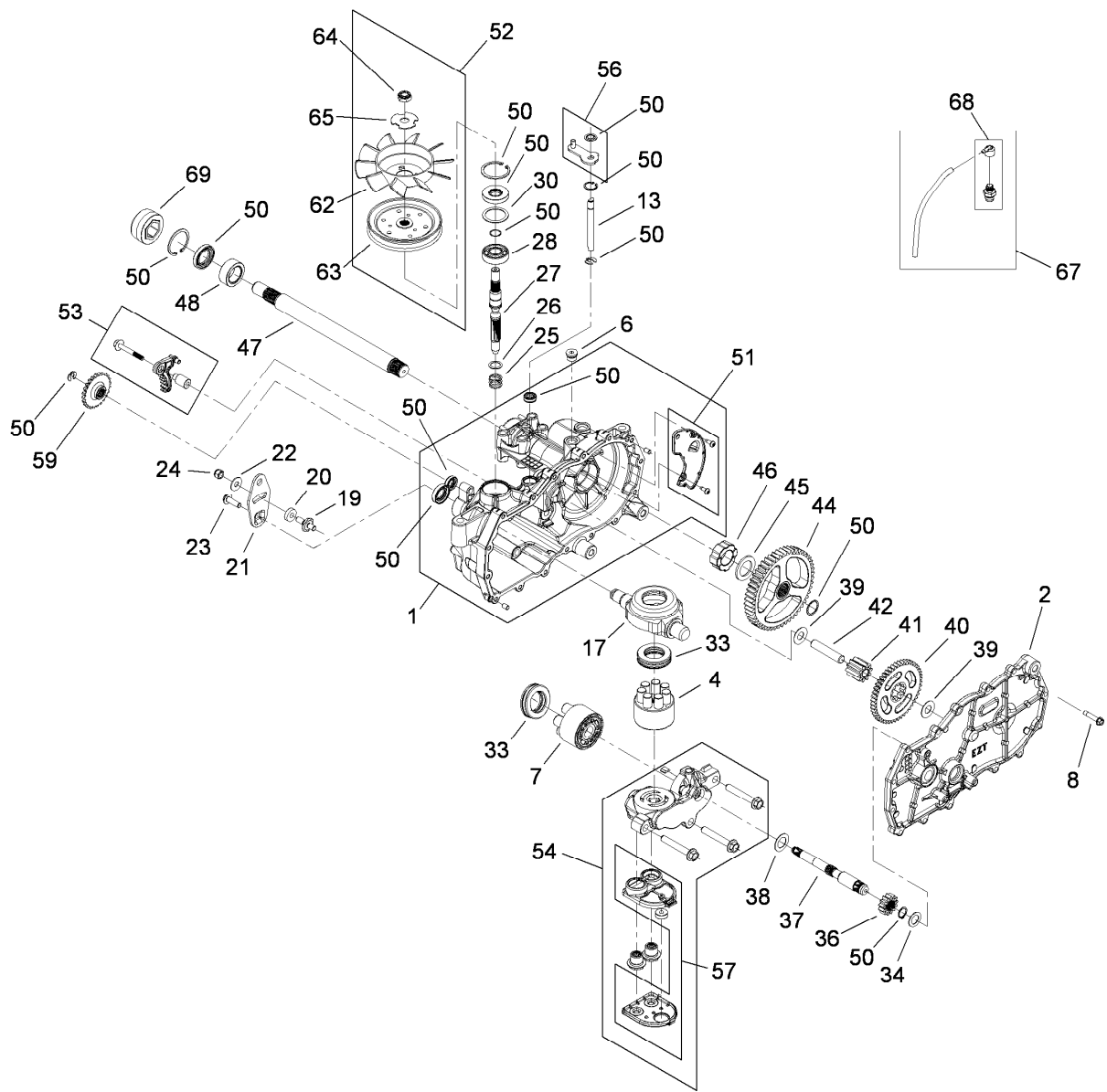
Ref.	Part Number	Qty.	Description	Ref.	Part Number	Qty.	Description
1	117-5339	1	RH Control Handle ASM	20	110-6845	2	Gear-Control
1:1	108-6187	1	Grip	21	110-6783-05	1	Arm-Actuator, LH
2	117-5338	1	LH Control Handle ASM ●	22	110-6782-05	1	Arm-Actuator, RH ●
2:1	108-6187	1	Grip ●	23	115-5023	2	Tab-Stop
3	3256-24	4	Washer-Flat	24	110-6873	2	Eccentric
4	323-6	4	Screw-HH	25	110-6874	2	Screw-Eccentric
5	112-4004	2	Screw-Shoulder	26	110-6875	2	Bolt-Shoulder
6	110-6828	2	Activator Arm ASM	27	110-6858	2	Cable-Brake, Parking
6:2	105-3455	2	Bushing	28	110-6751	2	Bracket-Return
7	110-6810	2	Stud-Damper	29	110-6750	2	Plate-Return
8	103-2913	2	Damper-Control, Motion	30	110-6752	2	Spring-Compression
9	3296-42	6	Nut-Lock, NI	31	110-6894	8	Washer-Pivot
10	46-8560	2	Screw-HHF	32	115-5041-03	1	Seat Pivot/Control ASM
11	3296-48	2	Nut-Lock, NI	33	323-4	2	Screw-HH
12	3256-22	4	Washer-Flat	34	110-0863	2	Screw-Torx
13	32128-23	2	Nut-HF	35	110-6784	2	Bolt-Shoulder
14	3256-5	2	Washer-Flat	36	112-9750	1	Decal-Control Lever, LH
15	110-6693	2	Link-Hydro	37	112-9751	1	Decal-Control Lever, RH
16	1-303105	2	Yoke-Adjustable	38	37-8771	2	Bolt-Shoulder
17	1-808280	2	Pin-Clevis	39	104-8300	2	Nut-Flange, NI
18	1-806003	2	Pin-Cotter, Hair	40	112-9771	2	Washer-Teflon
19	3220-2	2	Nut-Jam	41	110-6786	2	Cover-Control

● Not illustrated



Hydro Traction Drive Assembly

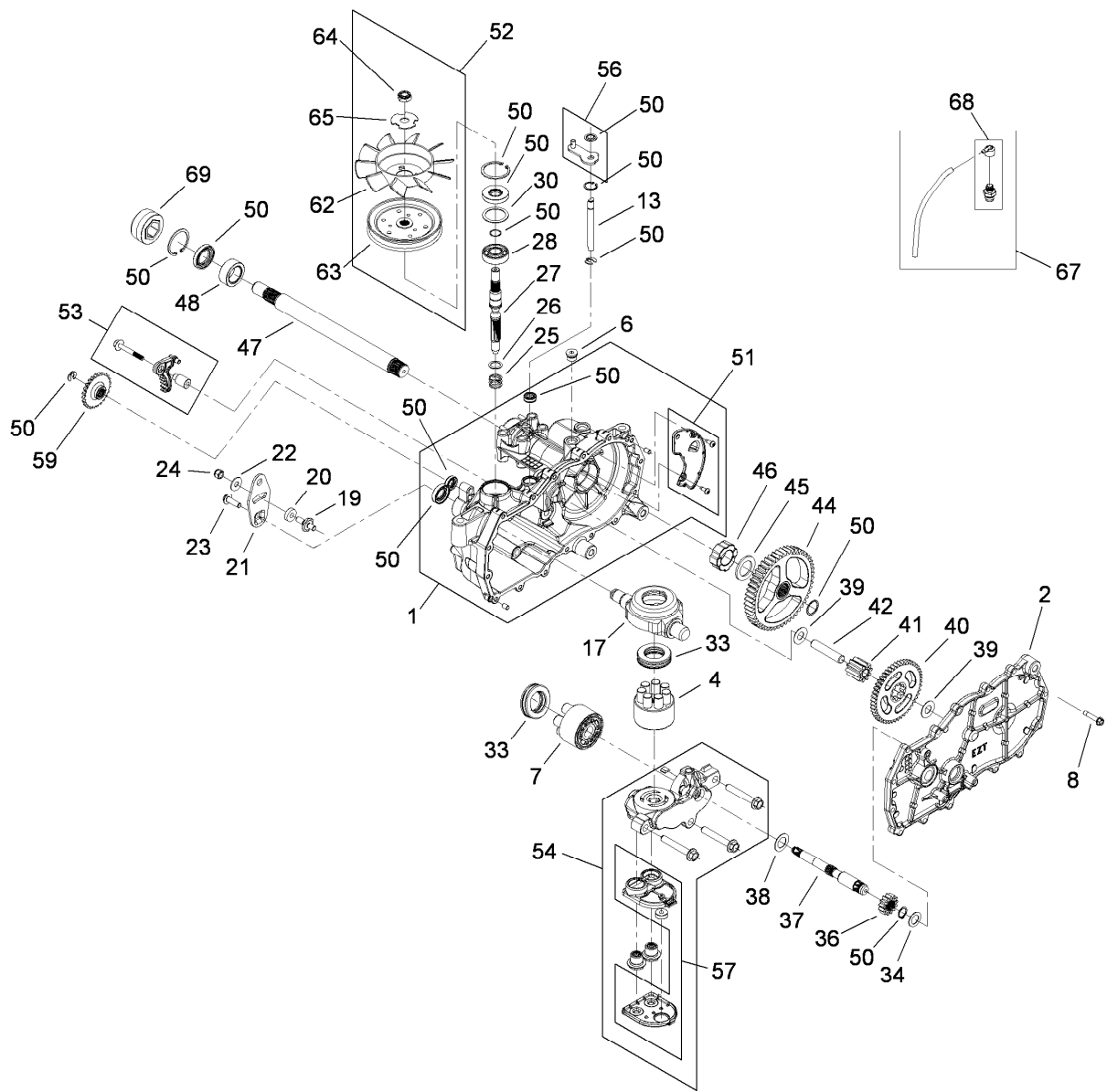
Ref.	Part Number	Qty.	Description	Ref.	Part Number	Qty.	Description
1	110-6771	1	Hydro-RH	16:3	232-27	1	Stem-Valve
2	110-6770	1	Hydro-LH	16:99	107-2491	1	Tube-Tire
3	322-4	2	Screw-HH	17	242-50	8	Nut-Lug
4	322-11	2	Screw-HH	18	110-6807	1	Shaft-Cross
5	3230-9	4	Screw-CARR	19	110-1926	1	Plate-Pivot
6	104-8300	17	Nut-Flange, NI	20	110-6806-03	2	Strap-Torque
7	322-6	1	Screw-HH	21	110-6878-03	2	Support-Hydro
8	322-7	1	Screw-HH	22	110-6787	2	Rod-Bypass
9	110-6677	2	Clip-Spring	23	1-806003	2	Pin-Cotter, Hair
10	110-6774	1	V-Belt	24	3256-22	2	Washer-Flat
11	63-1590	1	Spring-Idler	25	324-8	4	Screw-HH
12	110-6775	2	Pulley-Idler	26	3296-48	2	Nut-Lock, NI
13	5-4460	3	Washer-Pivot	27	112-3979	2	Hub ASM
14	110-1925	1	Arm-Idler	28	112-3982	2	Nut-Lock
15	37-8771	1	Bolt-Shoulder	29	3234-47	8	Screw-HHF
16	110-6881	2	Wheel And Tire ASM	30	115-5057	2	Cover-Nut, Axle
16:2	110-6885	1	Tire				



RH Hydro Assembly No. 110-6771

Ref.	Part Number	Qty.	Description	Ref.	Part Number	Qty.	Description
1	114-1630	1	RH Main Housing ASM	33	94-6922	2	Bearing-Thrust
2	114-1631	1	RH Side ASM	34	104-5339	1	Washer-Flat
4	110-8561	1	Pump Block ASM	36	104-5316	1	Gear-Pinnion, 13T
6	104-2189	1	Plug-Thread, Straight	37	114-1632	1	Shaft-Motor
7	103-2666	1	Cylinder Block Kit	38	104-5360	1	Washer-Shaft, Motor
8	104-5305	16	Screw-HHF	39	94-1933	2	Washer
13	106-8678	1	Rod-Bypass	40	104-5317	1	Gear
17	104-5304	1	Swashplate-Trunnion	41	104-5318	1	Gear-Jackshaft, 10T
19	104-2116	1	Stud	42	104-5329	1	Pin-Jackshaft
20	112-9853	1	Puck-Friction	44	112-9855	1	Gear-52T, Bull
21	106-8747	1	Arm-Control	45	112-9856	1	Washer
22	5-4460	1	Washer-Pivot	46	112-9857	1	Bearing-Sleeve
23	107-2488	1	Screw	47	112-9858	1	Shaft-Axle
24	105-1872	1	Nut	48	112-9859	1	Bushing-Axle
25	94-1936	1	Spring-Block	50	106-8686	1	Seal Kit
26	94-1937	1	Washer-Thrust, Block	51	106-8697	1	RH Expansion Plate Kit
27	104-5306	1	Shaft-Input	52	106-8698	1	Fan Pulley Kit
28	104-5311	1	Bearing-Ball	53	114-1633	1	Brake Arm Kit
30	104-5308	1	Spacer	54	112-9861	1	RH Center Section Filter Kit

● Not illustrated

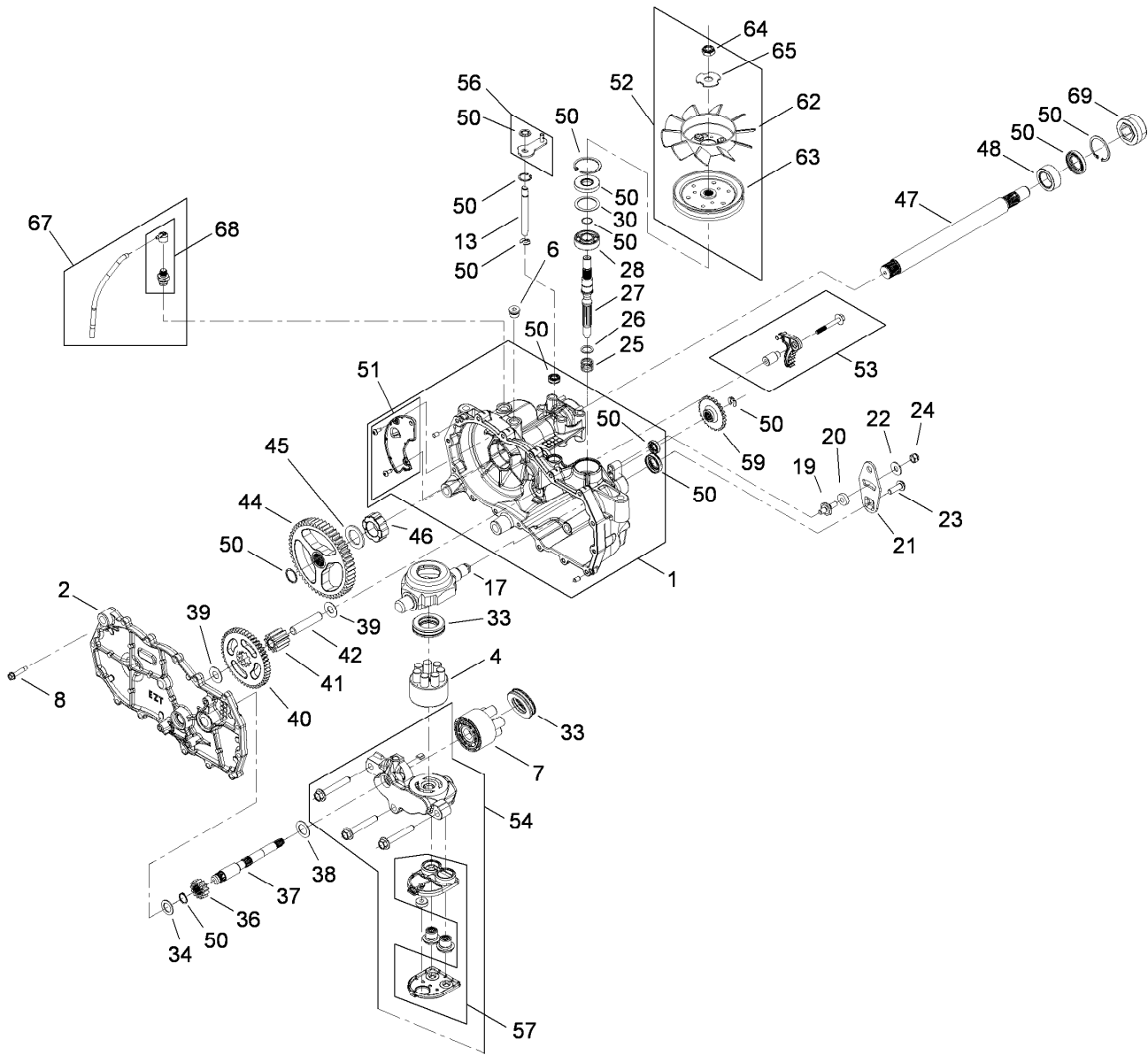


RH Hydro Assembly No. 110-6771 (continued)

<i>Ref.</i>	<i>Part Number</i>	<i>Qty.</i>	<i>Description</i>
55	104-2147	1	Sealant ●
56	107-2489	1	Bypass Arm Kit
57	114-1634	1	Filter Kit
59	106-8694	1	Disc-Brake, Cog
62	110-8566	1	Fan-6 Inch, 10 Blade
63	104-1754	1	Pulley

<i>Ref.</i>	<i>Part Number</i>	<i>Qty.</i>	<i>Description</i>
64	105-1875	1	Nut-Lock
65	107-9122	1	Washer-Slotted
67	112-9866	1	Breather Kit
68	114-1635	1	Breather ASM
69	115-5057	1	Cover-Nut, Axle

● Not illustrated

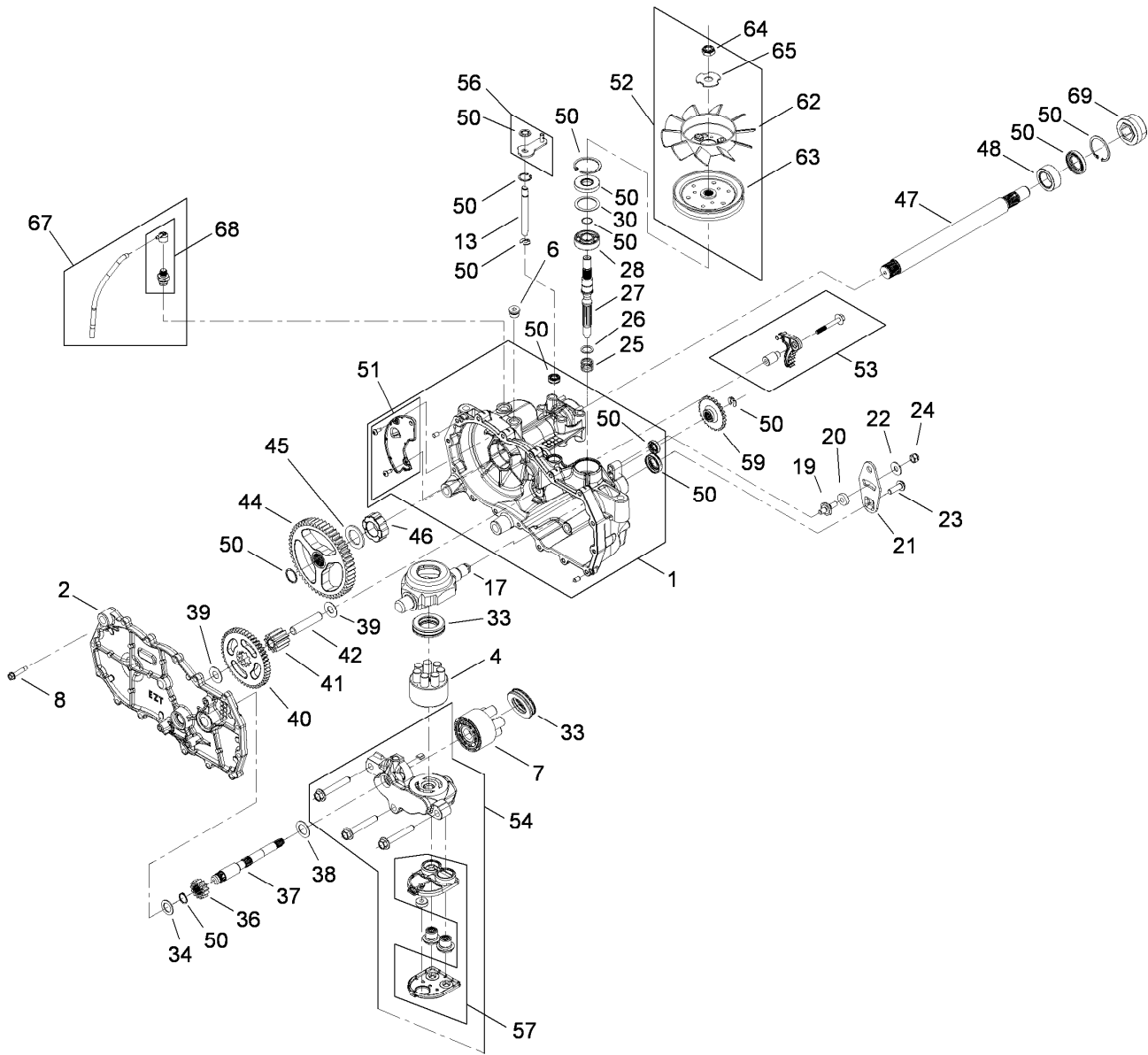


LH Hydro Assembly No. 110-6770

Ref.	Part Number	Qty.	Description
1	114-1636	1	LH Main Housing ASM
2	114-1637	1	LH Side ASM
4	110-8561	1	Pump Block ASM
6	104-2189	1	Plug-Thread, Straight
7	103-2666	1	Cylinder Block Kit
8	104-5305	16	Screw-HHF
13	106-8678	1	Rod-Bypass
17	104-5304	1	Swashplate-Trunnion
19	104-2116	1	Stud
20	112-9853	1	Puck-Friction
21	106-8747	1	Arm-Control
22	5-4460	1	Washer-Pivot
23	107-2488	1	Screw
24	105-1872	1	Nut
25	94-1936	1	Spring-Block
26	94-1937	1	Washer-Thrust, Block
27	104-5306	1	Shaft-Input
28	104-5311	1	Bearing-Ball
30	104-5308	1	Spacer

Ref.	Part Number	Qty.	Description
33	94-6922	2	Bearing-Thrust
34	104-5339	1	Washer-Flat
36	104-5316	1	Gear-Pinnion, 13T
37	114-1632	1	Shaft-Motor
38	104-5360	1	Washer-Shaft, Motor
39	94-1933	2	Washer
40	104-5317	1	Gear
41	104-5318	1	Gear-Jackshaft, 10T
42	104-5329	1	Pin-Jackshaft
44	112-9855	1	Gear-52T, Bull
45	112-9856	1	Washer
46	112-9857	1	Bearing-Sleeve
47	112-9858	1	Shaft-Axle
48	112-9859	1	Bushing-Axle
50	106-8686	1	Seal Kit
51	106-8687	1	LH Expansion Plate Kit
52	106-8698	1	Fan Pulley Kit
53	114-1633	1	Brake Arm Kit
54	112-9862	1	LH Center Section Filter Kit

● Not illustrated

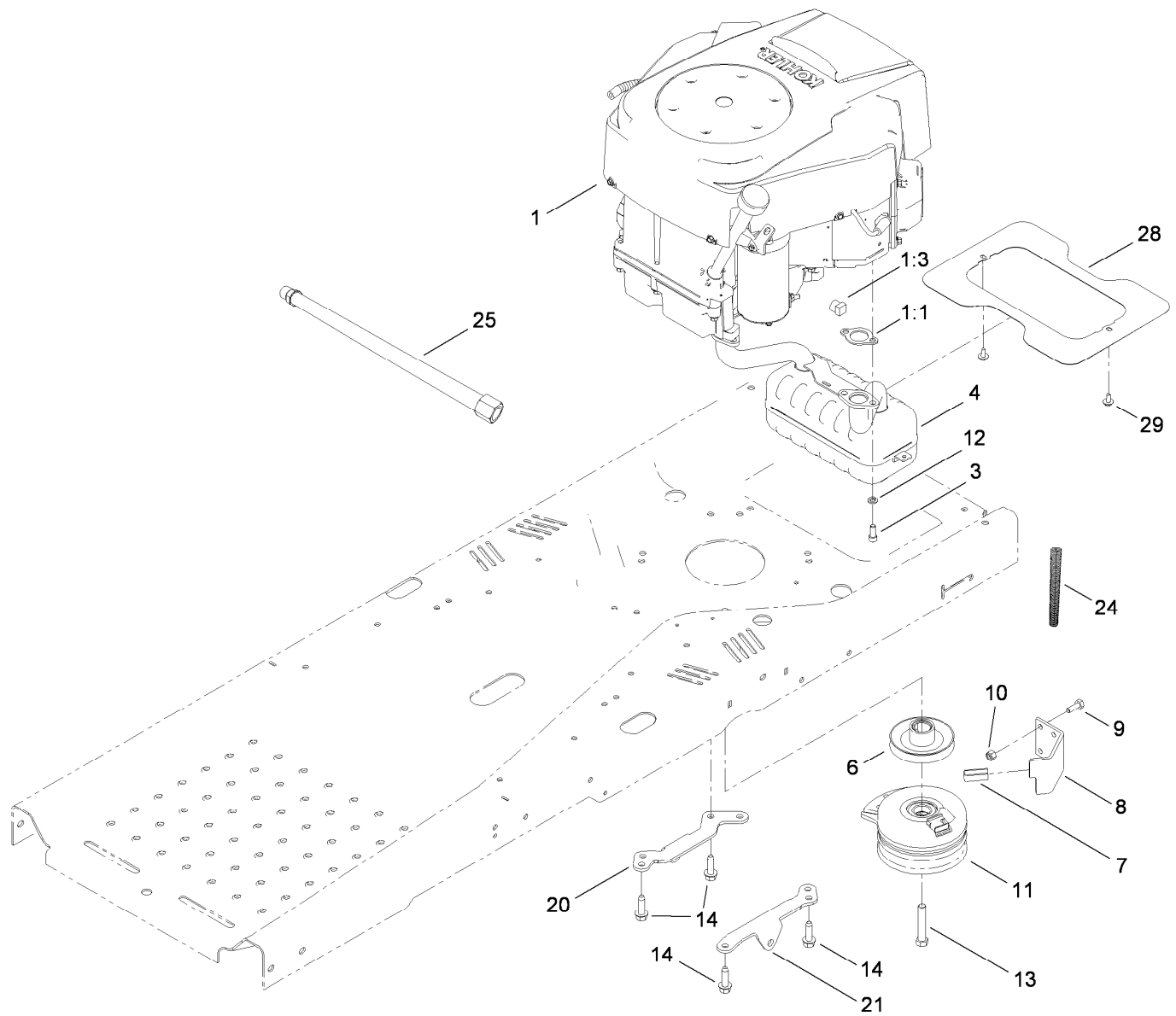


LH Hydro Assembly No. 110-6770 (continued)

Ref.	Part Number	Qty.	Description
55	104-2147	1	Sealant ●
56	107-2489	1	Bypass Arm Kit
57	114-1634	1	Filter Kit
59	106-8694	1	Disc-Brake, Cog
62	110-8566	1	Fan-6 Inch, 10 Blade
63	104-1754	1	Pulley

Ref.	Part Number	Qty.	Description
64	105-1875	1	Nut-Lock
65	107-9122	1	Washer-Slotted
67	112-9866	1	Breather Kit
68	114-1635	1	Breather ASM
69	115-5057	1	Cover-Nut, Axle

● Not illustrated



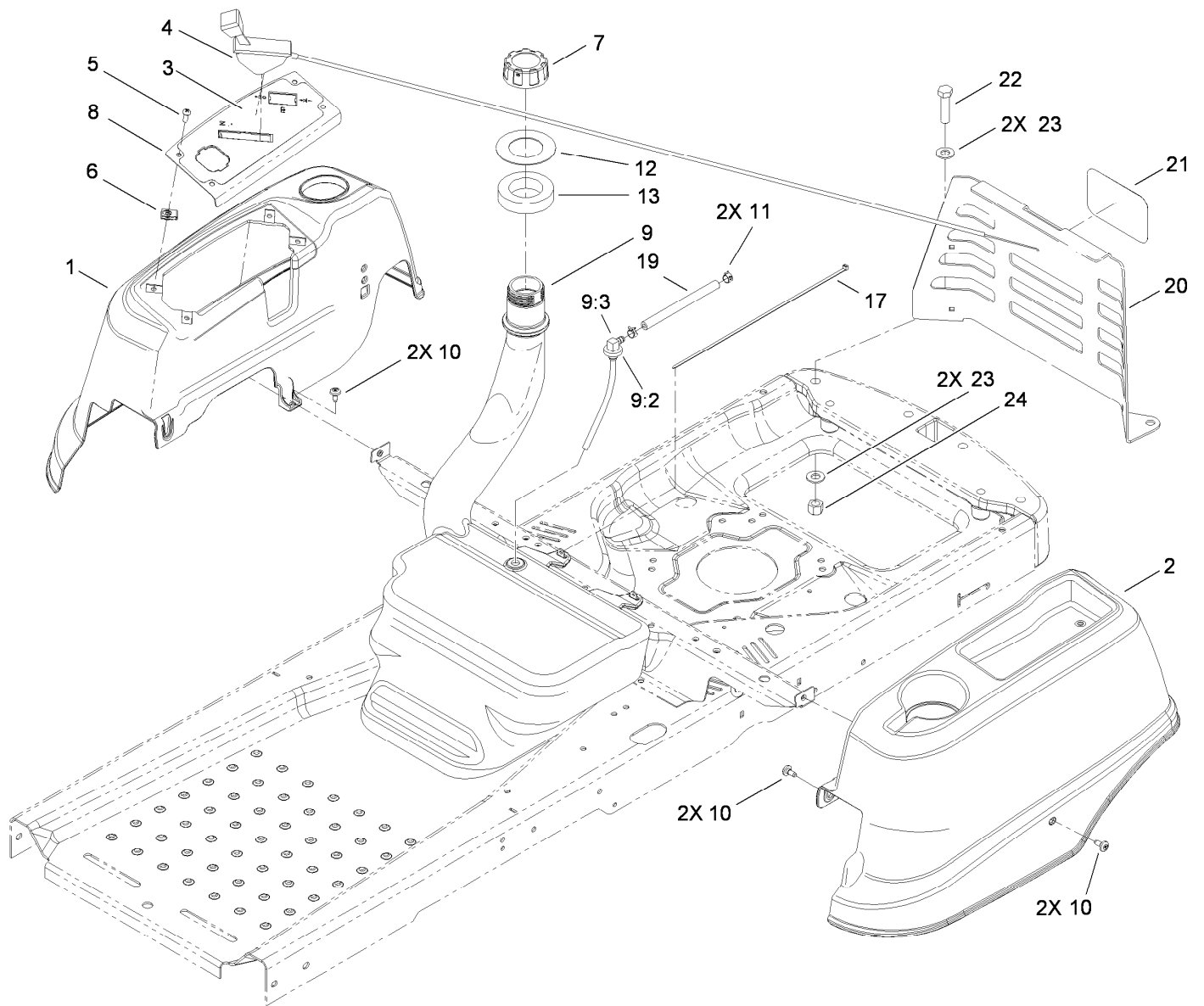
Engine and Clutch Assembly

Ref.	Part Number	Qty.	Description
1		1	Engine-Kohler, Sv710-0031 ● ■
1:1	110-6697	2	Gasket-Exhaust
1:3	281-2	1	Plug-Pipe, SQH
3	3274-10	4	Screw-HSH
4	117-7462	1	Muffler-Kohler Twin
6	114-1622	1	Pulley-Engine
7	112-4033	1	Bumper-Pad
8	110-6896	1	Stop-Clutch
9	322-4	2	Screw-HH
10	3296-29	2	Nut-Lock, NI

Ref.	Part Number	Qty.	Description
11	117-7468	1	Clutch-Electric
12	3253-4	4	Washer-Lock
13	3212-10	1	Screw-HH
14	32144-109	4	Screw
20	110-6798	1	Support-Hydro, RH
21	110-6799	1	Support-Hydro, LH
24	112-9849	1	Tubing-Convolutated
25	117-1261	1	Oil Drain Hose ASM
28	114-8544-03	1	Shield-Heat
29	46-8560	2	Screw-HHF

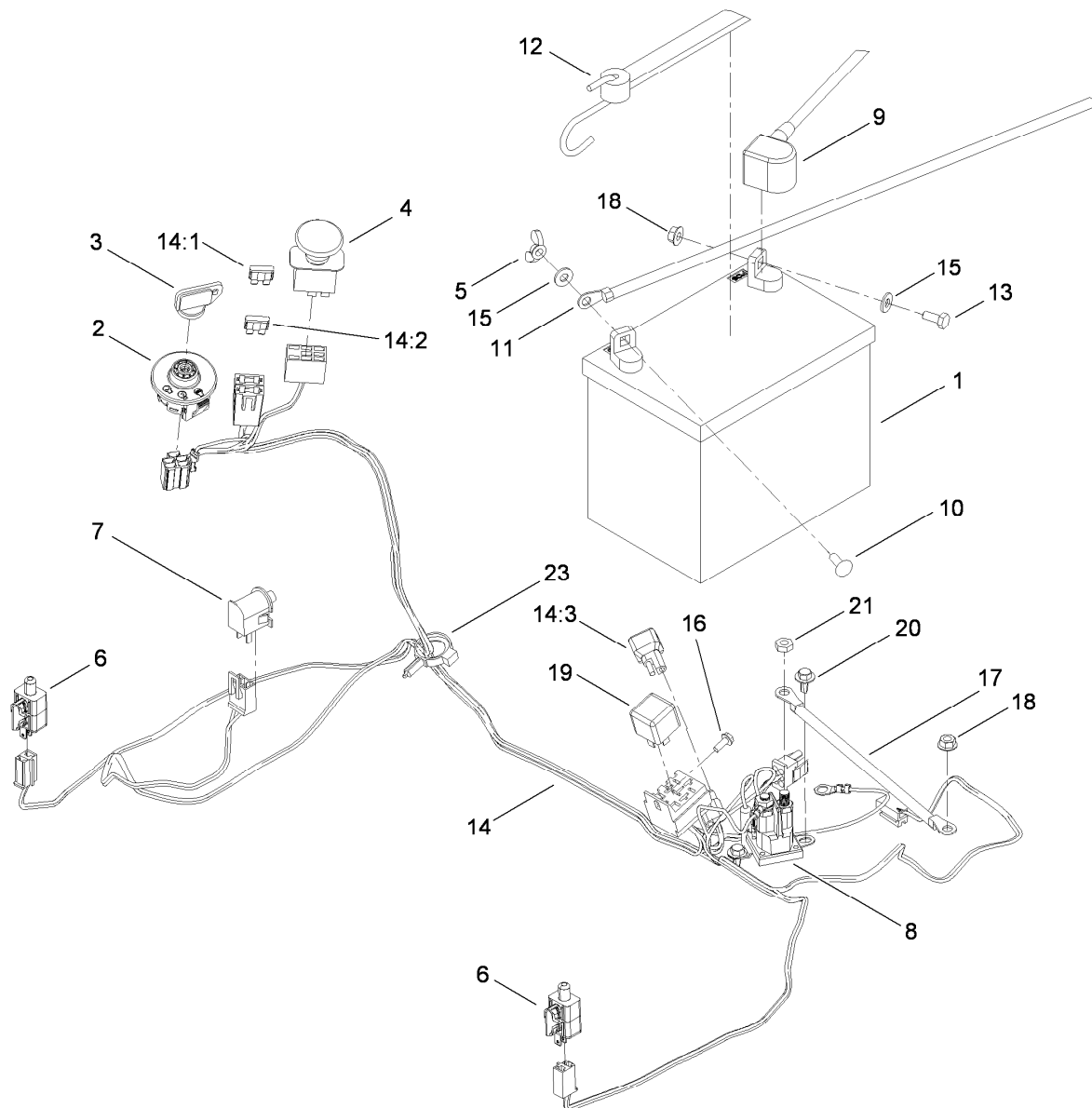
● Not serviced separately

■ Obtain parts from www.kohlerplus.com



Fuel Delivery and Body Styling Assembly

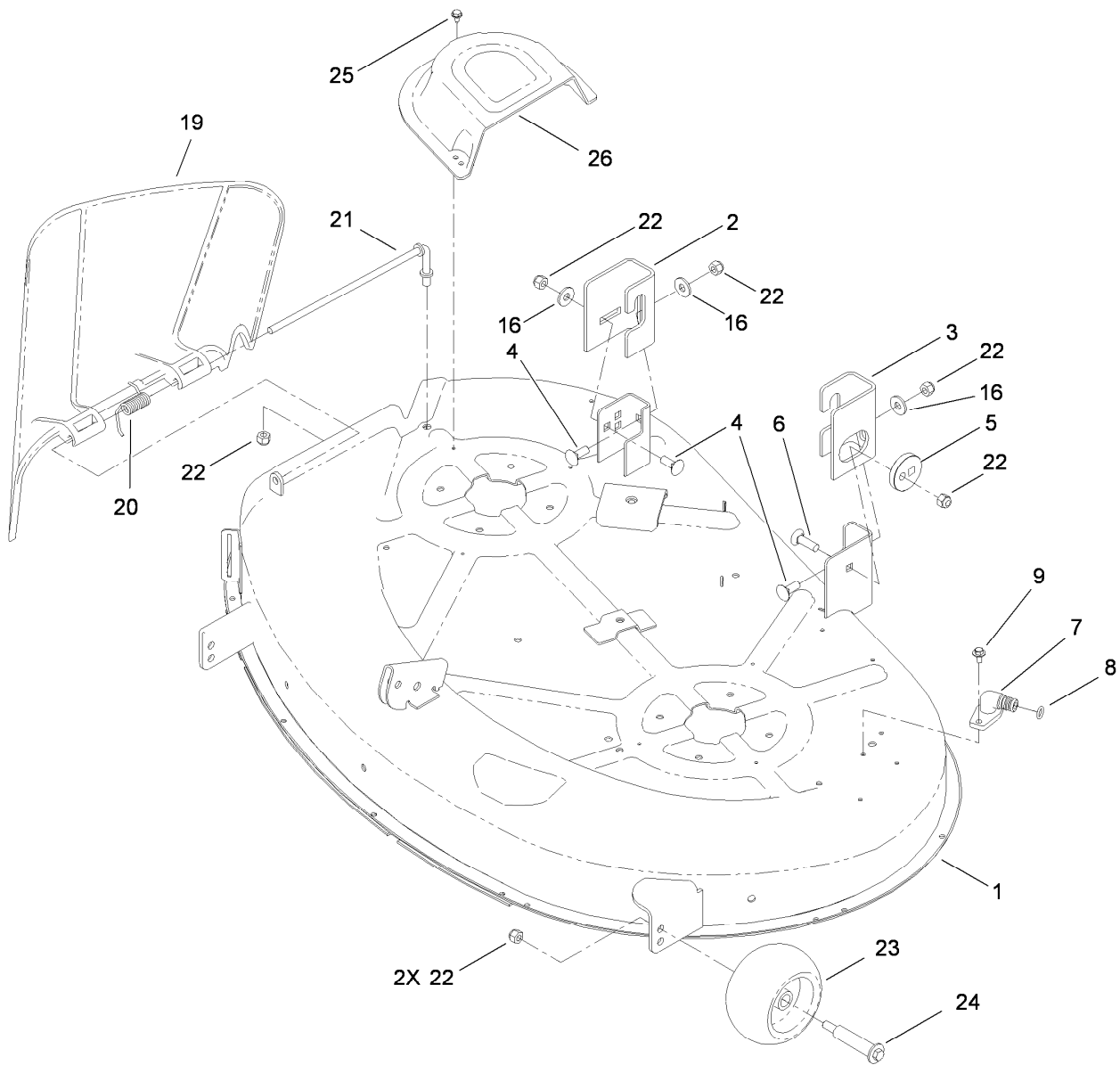
<i>Ref.</i>	<i>Part Number</i>	<i>Qty.</i>	<i>Description</i>	<i>Ref.</i>	<i>Part Number</i>	<i>Qty.</i>	<i>Description</i>
1	117-1219	1	Pod-RH	10	112-4004	6	Screw-Shoulder
2	117-1220	1	Pod-LH	11	2412-98	2	Clamp
3	115-2500	1	Decal-Panel, Control	12	112-9760	1	Washer-Rubber
4	117-1295	1	Cable-Throttle/Choke	13	55-9310	1	Seal-Foam
5	3258-166	4	Screw-PRH	17	100-9064	1	Tie-Cable
6	107069	4	Clip	19	107-0589	1	Hose-Fuel
7	93-7198	1	Gas Cap ASM	20	110-6685-03	1	Support-Cover, Rear
8	110-1927-03	1	Panel-Control	21	105-8278	1	Decal
9	110-6890	1	Fuel Tank ASM	22	325-8	2	Screw-HH
9:2	46-6560	1	Bushing	23	3256-26	4	Washer-Flat
9:3	95-3970	1	Fitting-90 Degree	24	3296-23	2	Nut-Lock, NI



Electrical Assembly

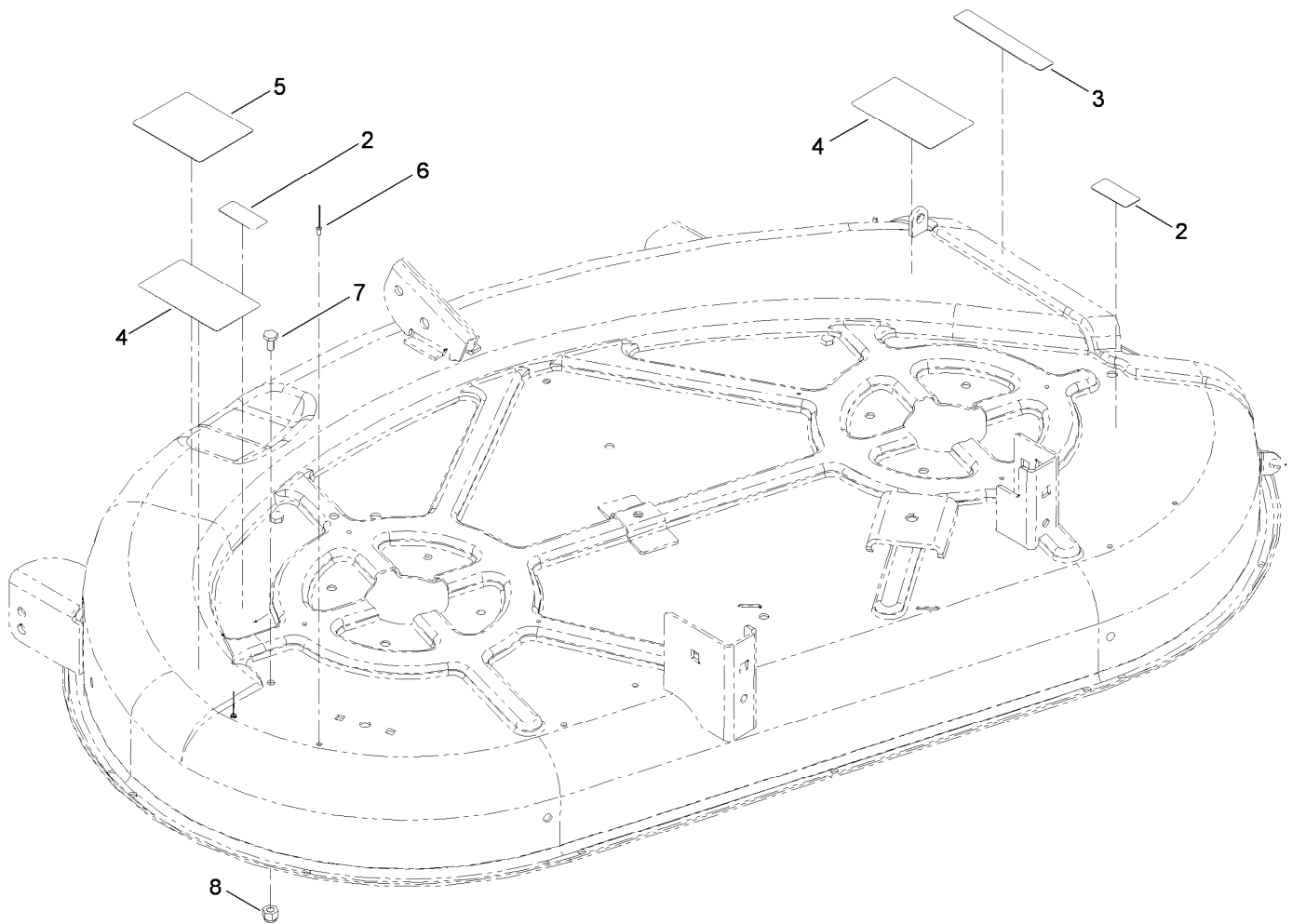
<i>Ref.</i>	<i>Part Number</i>	<i>Qty.</i>	<i>Description</i>
1	104-2493	1	Battery
2	117-2222	1	Switch-Ignition
3	63-8360	1	Key-Ignition
4	93-9998	1	Switch-PTO
5	32103-22	1	Nut-Wing
6	110-6765	2	Switch-Single Pole No
7	82-2190	1	Switch-Bail
8	117-1197	1	Solenoid

<i>Ref.</i>	<i>Part Number</i>	<i>Qty.</i>	<i>Description</i>
14	117-7384	1	Harness-Wire
14:1	109103	1	Fuse-30 Amp
14:2	109102	1	Fuse-25 Amp
14:3	100-4918	1	Diode
15	3256-22	2	Washer-Flat
16	32144-1	1	Screw-Taptite
17	110-6792	1	Cable-Battery, Red
18	32128-33	2	Nut-HF
19	98-7249	1	Relay
20	46-8560	2	Screw-HHF
21	3220-2	2	Nut-Jam
23	105-1853	1	Clamp-Hose



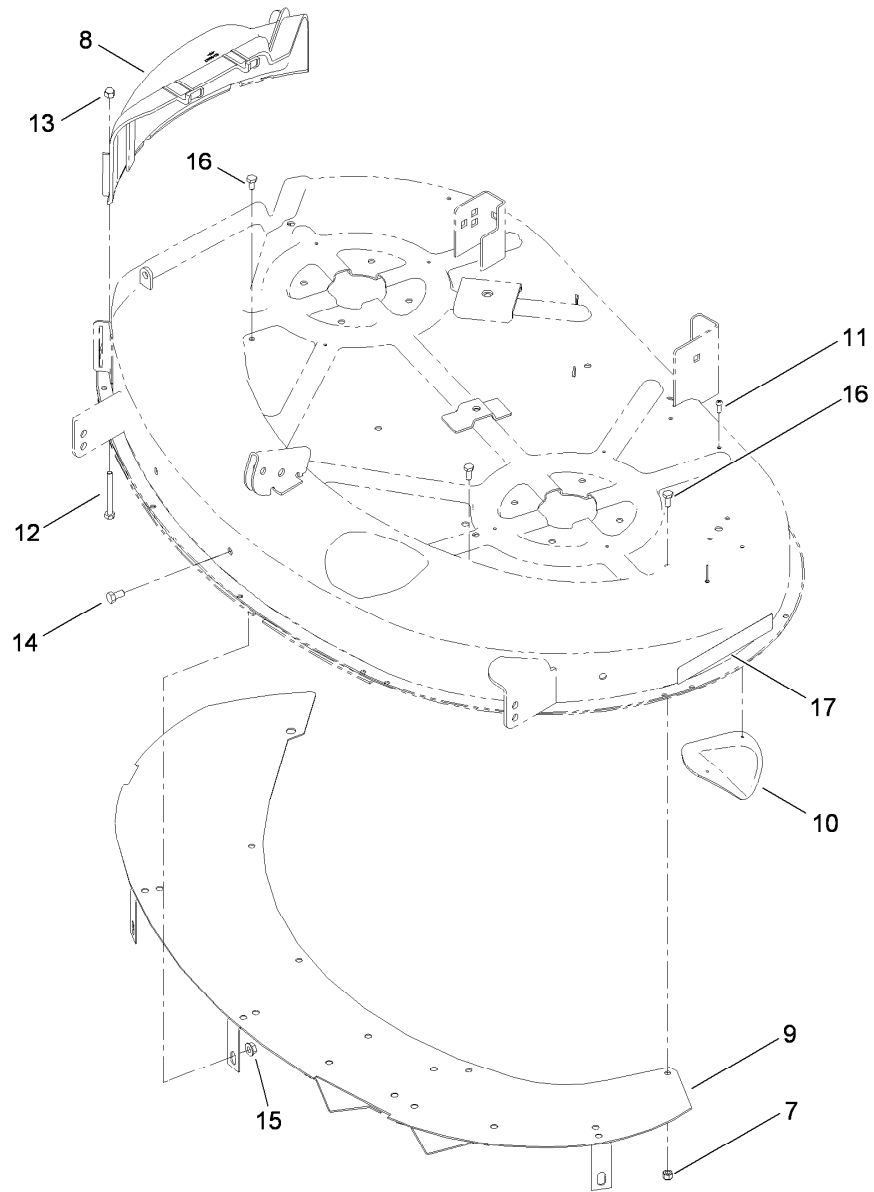
42 Inch Deck Assembly

<i>Ref.</i>	<i>Part Number</i>	<i>Qty.</i>	<i>Description</i>	<i>Ref.</i>	<i>Part Number</i>	<i>Qty.</i>	<i>Description</i>
1	117-1290	1	42 Inch Deck And Decal ASM	16	80-6990	3	Washer-Hardened
2	108-7836	1	Bracket-Hanger, Right Rear	19	112-3951	1	Deflector
3	108-7838	1	Bracket-Hanger, Left Rear	20	110-6694	1	Spring-Torsion
4	3231-2	3	Screw-CARR	21	112-4026	1	Rod-Pivot
5	112-3980	1	Eccentric	22	3296-39	7	Nut-Lock, NI
6	3231-28	1	Screw-CARR	23	1-603299	2	Roller-Scalp, Anti
7	95-2747	1	Fitting-Washout	24	112-3977	2	Bolt-Shoulder
8	46-6290	1	O-Ring, Seal	25	32104-76	6	Screw
9	46-8560	2	Screw-HHF	26	108-7889	2	Cover-Belt



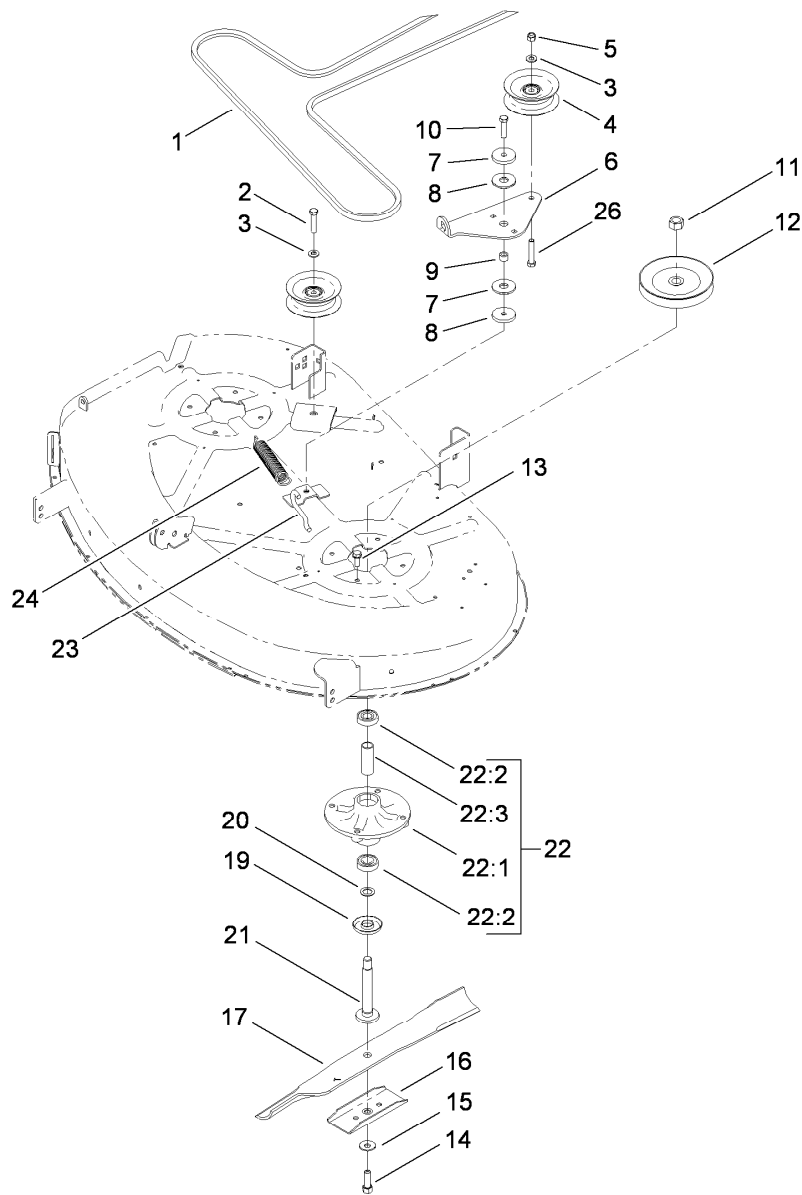
42 Inch Deck and Decal Assembly No. 117-1290

<i>Ref.</i>	<i>Part Number</i>	<i>Qty.</i>	<i>Description</i>
2	114-1606	2	Decal-Danger, Pulley
3	93-7009	1	Decal-Danger, Deflector
4	110-6691	2	Decal-Danger
5	105-7015	1	Decal-Routing, Belt
6	3290-282	2	Rivet-Blind
7	321-2	3	Screw-HH
8	3296-42	3	Nut-Lock, NI



42 Inch Deck Baffle Assembly

<i>Ref.</i>	<i>Part Number</i>	<i>Qty.</i>	<i>Description</i>
7	3296-42	1	Nut-Lock, NI
8	110-6682	1	Cover-Discharge
9	107-7316-03	1	Baffle Upper ASM
10	76-2160	3	Plate-Kicker
11	32144-111	6	Screw-PPH
12	321-15	2	Screw-HH
13	32111-7	2	Nut-Cap
14	322-2	3	Screw-HH
15	32128-25	3	Nut-HF
16	321-3	4	Screw-HH
17	119-2368	1	Decal-Recycler



42 Inch Deck Spindle and Belt Drive Assembly

Ref.	Part Number	Qty.	Description	Ref.	Part Number	Qty.	Description
1	110-6871	1	V-Belt	15	3290-465	2	Washer-Belleville
2	323-9	1	Screw-HH	16	106-2248-03	2	Stiffener-Blade
3	3256-24	2	Washer-Flat	17	106-2247-03	2	Blade
4	106-2175	2	Pulley-Idler, Flat	19	80-4360	2	Shield-Bearing
5	3296-39	1	Nut-Lock, NI	20	80-4380	2	Spacer
6	114-8540	1	Arm-Idler	21	117-1192	2	Shaft-Spindle
7	110-9981	2	Washer-Plain	22		2	Spindle ASM ●
8	114-0463	2	Washer-Friction, Composite	22:1	88-4510	1	Housing-Spindle
9	115-4986	1	Spacer	22:2	100-1048	2	Bearing-Ball
10	323-8	1	Screw-HH	22:3	62-3661	1	Spacer
11	3219-6	2	Nut-Hex	23	88-5970	1	Hook-Return, Spring
12	110-6864	2	Pulley	24	106-2177	1	Spring-Extension
13	32144-41	8	Screw-Taptite	26	323-10	1	Screw-HH
14	26-0671	2	Screw-HH				

● Not serviced separately

Attachments and Accessories

For 74381 TimeCutter Z4202 Riding Mower

Product Name	Model/Part
Armrest Kit.....	108-6163
Smooth Tread Front Tire Kit.....	110-6739
Hour Meter Kit.....	112-9763
42 Inch Blowout Ring Kit.....	114-1620
Striping Kit	114-8545
Armrest Kit.....	79212
42 Inch Replacement Blade Kit.....	79220
Foot Assist Cutting Unit Lift Kit.....	79313
Engine Cover Kit.....	79314
Floor Mat Kit	79315
Storage Cover	79317
Rear Hitch Kit.....	79318
Sunshade	79319
42 Inch and 50 Inch Twin Bagger	79324
10 cu. ft. Poly Dump Cart.....	79991

Notes:

Notes:

Notes:



Count on it.