



Count on it.

Parts Catalog

22in Recycler® Lawn Mower

Model No. 20338—Serial No. 31000001 and Up

Ordering Replacement Parts

To order replacement parts, please supply the part number, the quantity, and the description of each part desired.

Understanding Reference Numbers

Each identified part in an illustration has a reference number. The reference number for a part also appears in the parts list, along with other information about the part.

This catalog uses two special reference number formats, one to indicate parts in a service assembly and another to indicate the quantity of a given part in an illustration.

Service Assembly Reference Numbers

Parts in service assemblies have reference numbers in the form a:b. The a represents the reference number of the entire service assembly and the b represents a sequential number unique to each part within the service assembly.

For example, a wheel assembly might be identified by reference number 6, the tire by 6:1, the valve by 6:2, and the wheel by 6:3. When you order the assembly identified by reference number 6, you receive all parts identified by reference numbers 6:1, 6:2, and 6:3. However, you may also order any part individually. Reference numbers of this type appear in illustration and in parts lists.

Reference Numbers Indicating Quantity

In an illustration, if a reference number indicates more than one part, the reference number has the form nX y. The n represents the quantity of the part, the X is the multiplication symbol, and the y represents the reference number.

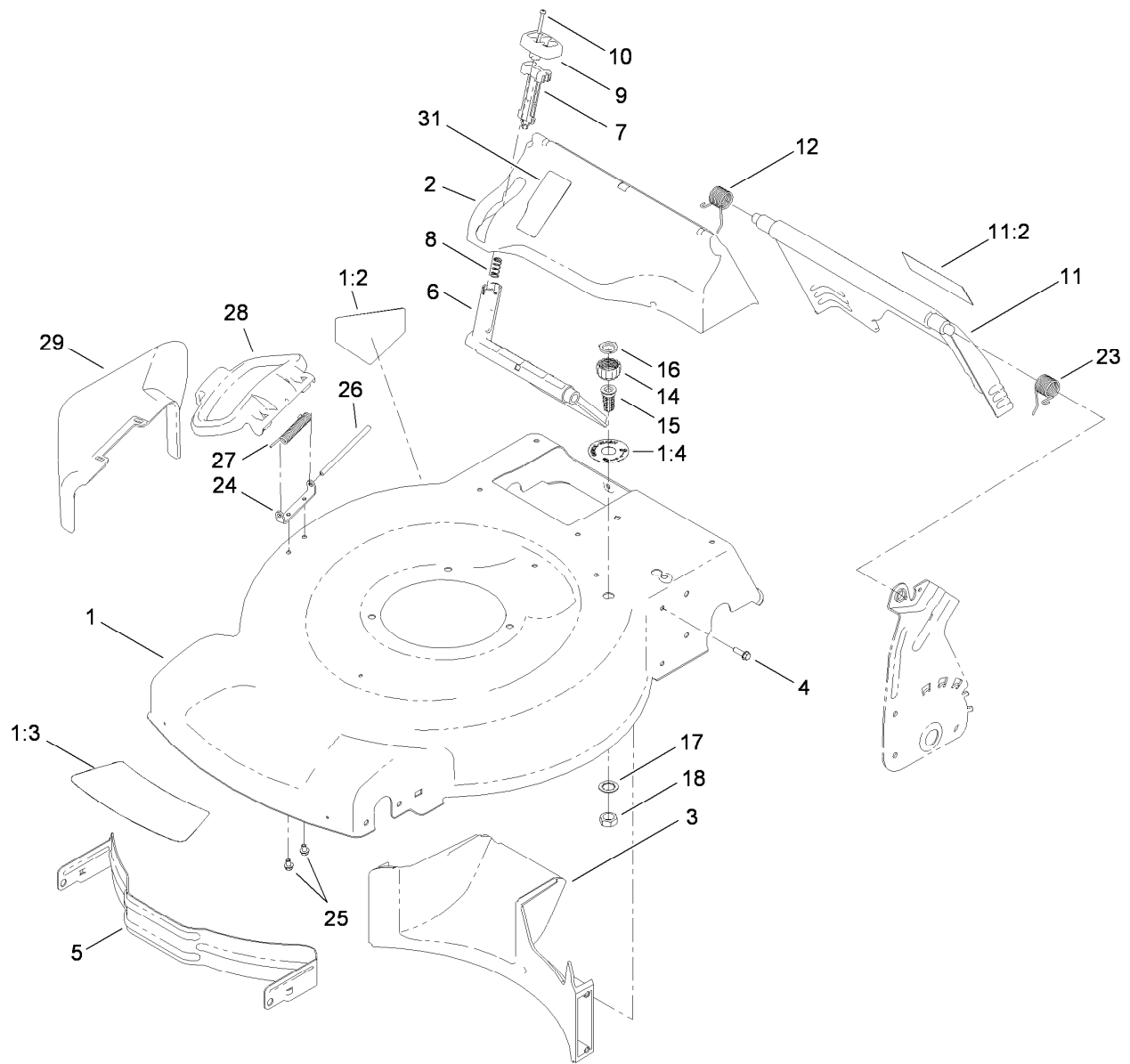
For example, in an illustration, the reference number 2X 37 means that two of the parts identified by reference number 37 are indicated.

List of Abbreviations

AR: as required	HLH: hex lag head	RRB: rear roller brush
ASM: assembly	HOC: height-of-cut	SFH: slotted fillister head
BBC: blade brake control	HSBH: hex socket button head	SHH: slotted hex head
BHTF: button head thread forming	HSFH: hex socket flat head	SHWH: slotted hex washer head
CARR: carriage	HSH: hex socket head	SPH: slotted pan head
CCW: counter clockwise	HWH: hex washer head	SQH: square head
CCW: counter clock wise	HWTF: hex washer head thread forming	SRH: slotted round head
CW: clockwise	HWTF: hex washer head thread forming	STD: standard
CW: clockwise	HYD: hydraulic	TAP: self tapping
DEG: degrees	LH: left hand	TTH: torx truss head
ECM: electronic control module	NI: nylon insert	
ECM: electronic control module	NPTF: national pipe thread fine	
EXT: external	PFH: phillips flat head	
FH: flat head	PPH: phillips pan head	
GA: gauge	PPHTF: phillips pan head thread forming	
HD: heavy-duty	PRH: phillips round head	
HF: hex flange	PTH: phillips truss head	
HH: hex head	PTO: power-take-off	
HHF: hex head flange	RH: right hand	
HHFTF: hex head flange thread forming	ROPS: roll-over protection system	
HJ: hex jam		

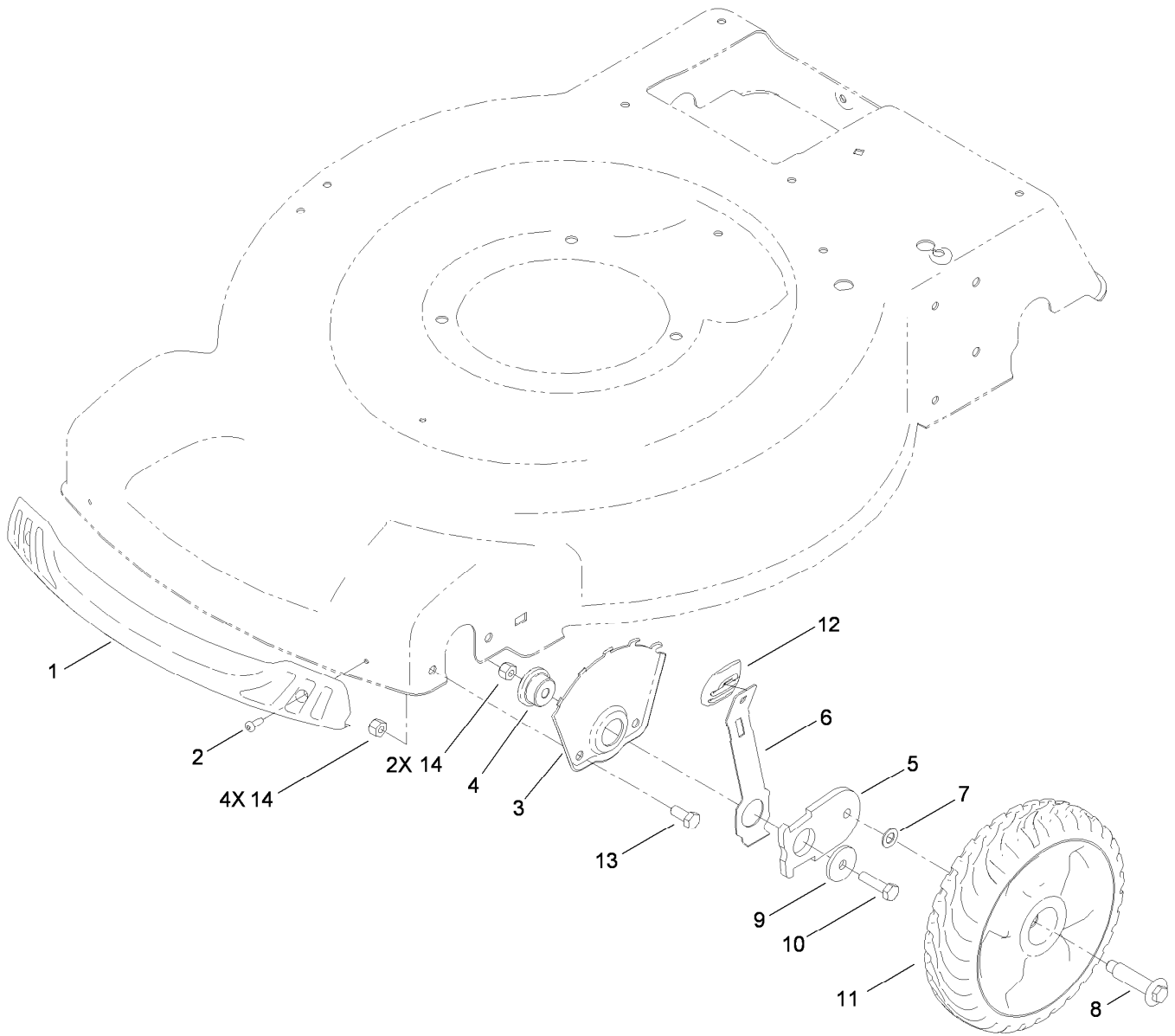
Contents

Housing and Rear Door Assembly	4
Front Axle and Height-of-Cut Assembly	5
Transmission and Rear Height-of-Cut Assembly	6
Engine and Blade Assembly	7
Handle Assembly	8
Rear Bag Assembly	9
Attachments and Accessories	10



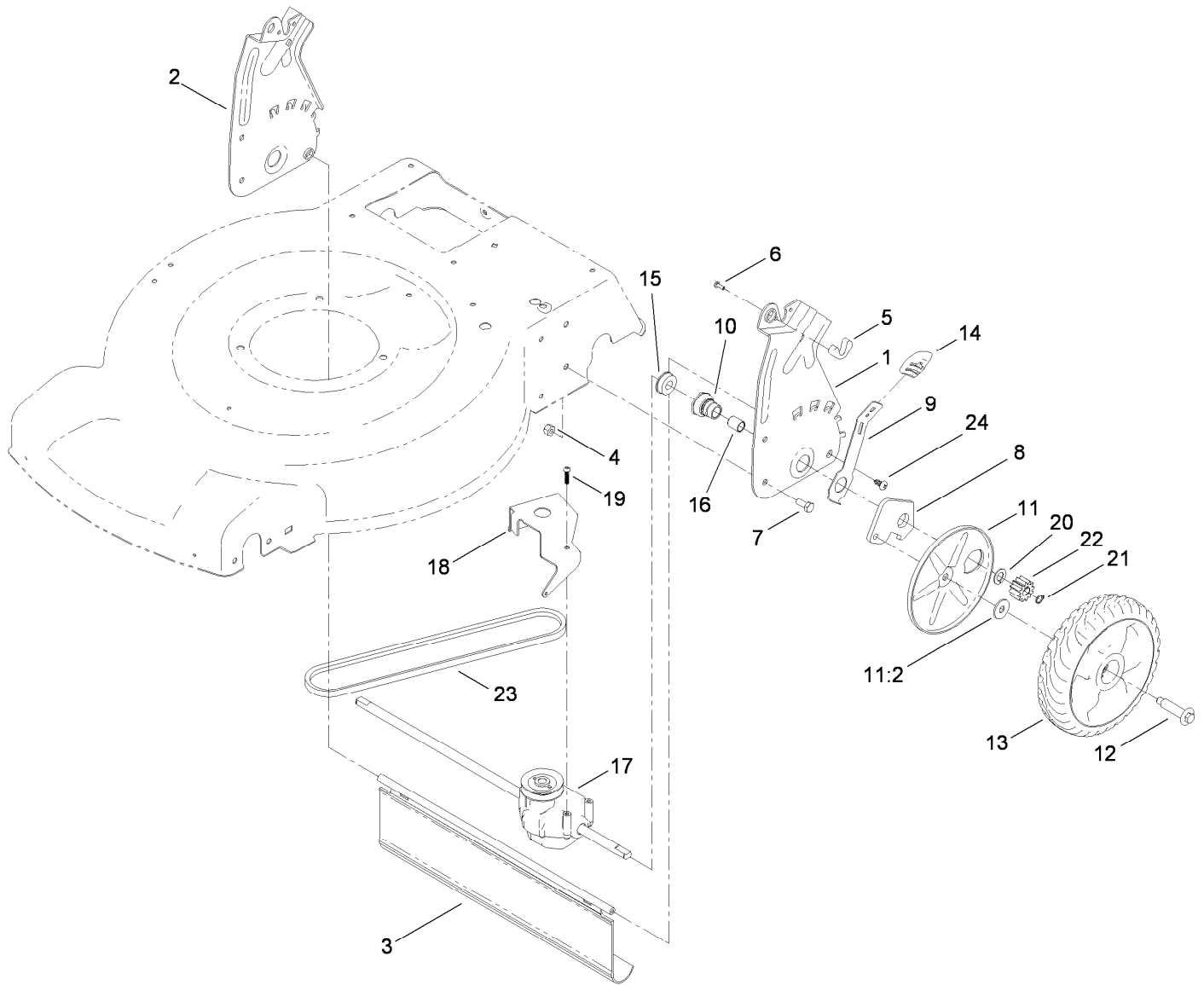
Housing and Rear Door Assembly

<i>Ref.</i>	<i>Part Number</i>	<i>Qty.</i>	<i>Description</i>	<i>Ref.</i>	<i>Part Number</i>	<i>Qty.</i>	<i>Description</i>
1	117-1084	1	Housing ASM	12	114-7924	1	Spring-Torsion
1:2	94-8072	1	Decal-Danger	14	112-6401	1	Coupling-Hose, Washout Port
1:3	115-4676	1	Decal-Recycler	15	112-6400	1	Port-Washout
1:4	112-8867	1	Decal-Port, Washout	16	112-6438	1	Washer-Seal, Washout Port
2	115-4677	1	Chute-Recycle	17	3254-5	1	Washer-Tooth, Internal
3	114-7961	1	Baffle-Rear	18	3218-6	1	Nut-Jam
4	46-8091	9	Screw-HWH	23	115-2859	1	Spring-Torsion
5	114-7963-01	1	Baffle-Front	24	112-6416	1	Bracket-Cover
6	114-7960	1	Deflector-Recycle	25	99-8445	2	Screw-HWH
7	114-7959	1	Latch-Recycle	26	99-5291	1	Rod-Cover
8	117-1031	1	Spring-Compression	27	99-5293	1	Spring-Torsion
9	114-7958	1	Knob-Recycle	28	115-8449	1	Deflector-Side
10	32104-120	2	Screw-PPH	29	115-8447	1	Chute-Discharge, Side
11	114-7992	1	Rear Door ASM	31	117-5928	1	Decal-Bag On Demand
11:2	114-7982	1	Decal-Warning				



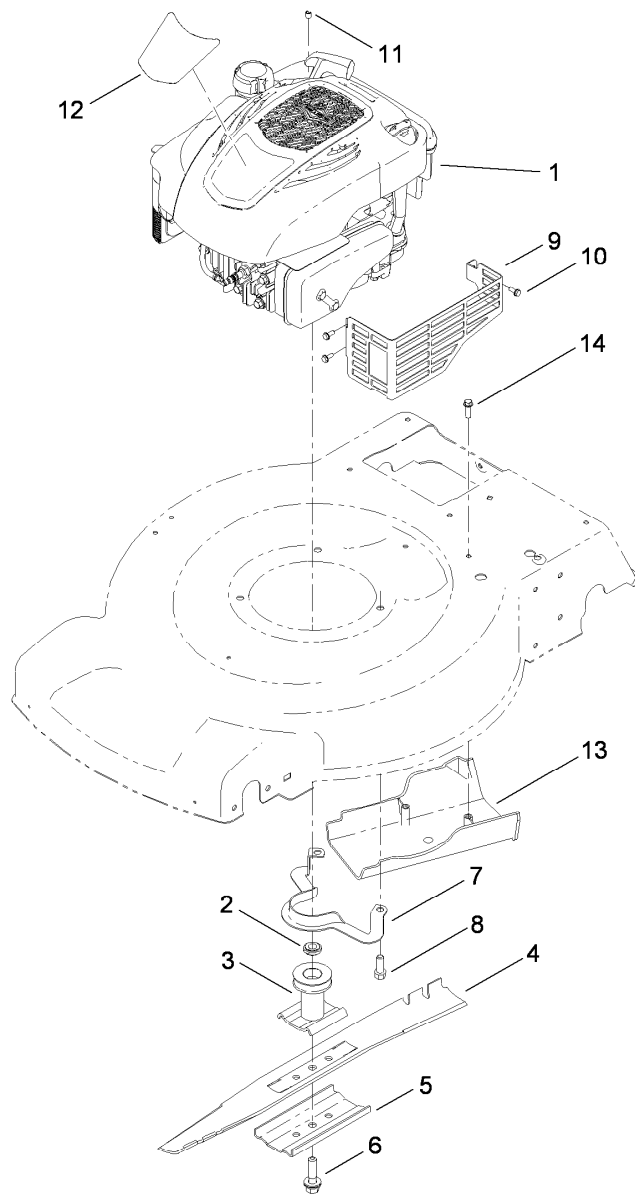
Front Axle and Height-of-Cut Assembly

Ref.	Part Number	Qty.	Description
1	114-7987	1	Bumper
2	105-6849	2	Screw-Thread Forming
3	115-1956-03	2	Plate-HOC, Front
4	105-1818	2	Bushing-Mount, HOC
5	105-1807	2	Arm-Pivot, Front
6	105-1809	2	Arm-Spring
7	40-1940	2	Washer
8	614650	2	Bolt-Shoulder
9	105-3048	2	Washer-Flat
10	322-6	2	Screw-HH
11	115-2894	2	8 Inch Wheel ASM
12	105-3042	2	Knob-Lever, HOC
13	322-3	4	Screw-HH
14	3296-29	6	Nut-Lock, NI



Transmission and Rear Height-of-Cut Assembly

<i>Ref.</i>	<i>Part Number</i>	<i>Qty.</i>	<i>Description</i>	<i>Ref.</i>	<i>Part Number</i>	<i>Qty.</i>	<i>Description</i>
1	114-7955-03	1	Plate-Rear, LH (HOC)	13	115-4695	2	8 Inch Wheel Gear ASM
2	114-7956-03	1	Plate-Rear, RH (HOC)	14	105-3042	2	Knob-Lever, HOC
3	115-2893	1	Shield-Trailing	15	104-8699	2	Bearing-Ball
4	3296-29	4	Nut-Lock, NI	16	108-9782	2	Bushing-Sleeve
5	115-8406	2	Anchor-Bag	17	119-7007	1	Transmission ASM
6	105-9437	2	Screw-PPH	18	114-7977-03	1	Bracket-Transmission
7	322-3	4	Screw-HH	19	108-7476	3	Screw-Plastite
8	108-9781	2	Arm-Pivot, Rear	20	110-7191	2	Washer-Thrust
9	108-9780	2	Arm-Spring	21	32151-61	2	Ring-Retaining
10	108-9779	2	Retainer-Bushing, HOC	22	115-4668	2	Gear-Pinion, 12T
11	110-1792	2	Wheel Cover ASM	23	115-4669	1	Belt-V
11:2	614426	1	Washer-Stepped	24	117-1092	2	Screw-PTH
12	614650	2	Bolt-Shoulder				

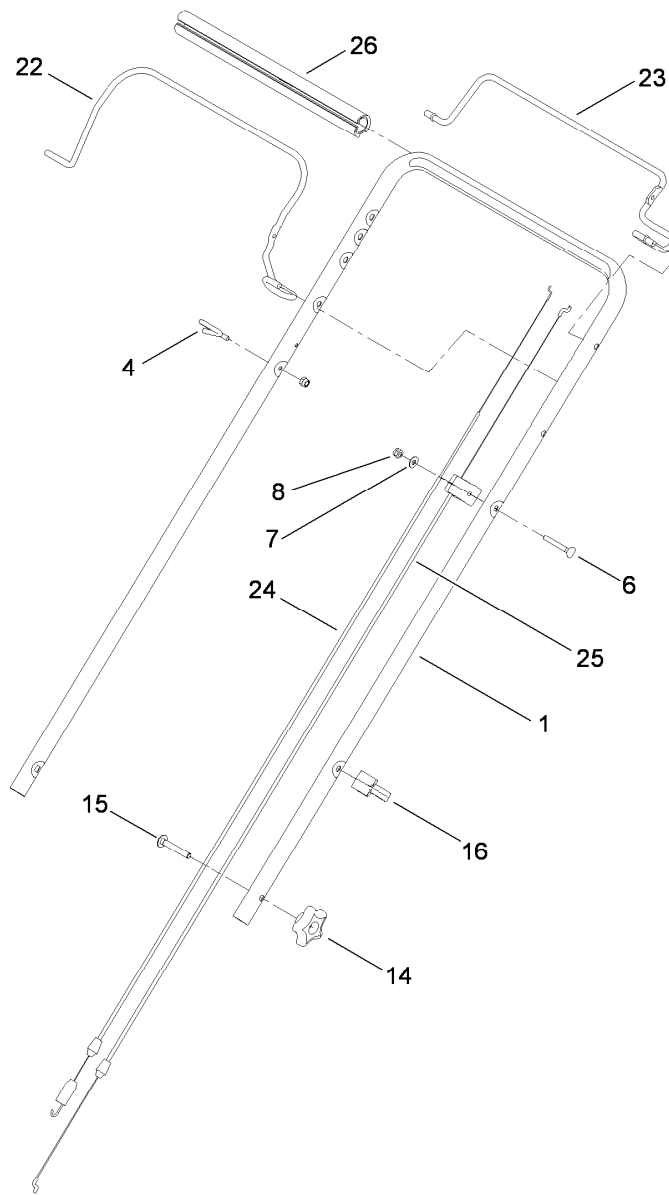


Engine and Blade Assembly

Ref.	Part Number	Qty.	Description
1		1	Engine-Briggs, 128T02-3125-B1 ●■
2	106-3999	1	Spacer-Driver
3	106-3987	1	Blade Driver ASM
4	108-9764-03	1	Blade-22 Inch
5	108-3766-03	1	Support-Blade
6	105-8579	1	Bolt-Blade
7	105-3030-03	1	Guide-Belt
8	95-1726	3	Screw-Taptite
9	104-7577-03	1	Shield-Muffler
10	32144-1	3	Screw-Taptite
11	2210-316	1	Stop-Rope
12	119-0302	1	Decal-Shroud
13	114-7937	1	Cover-Belt
14	46-8091	2	Screw-HWH

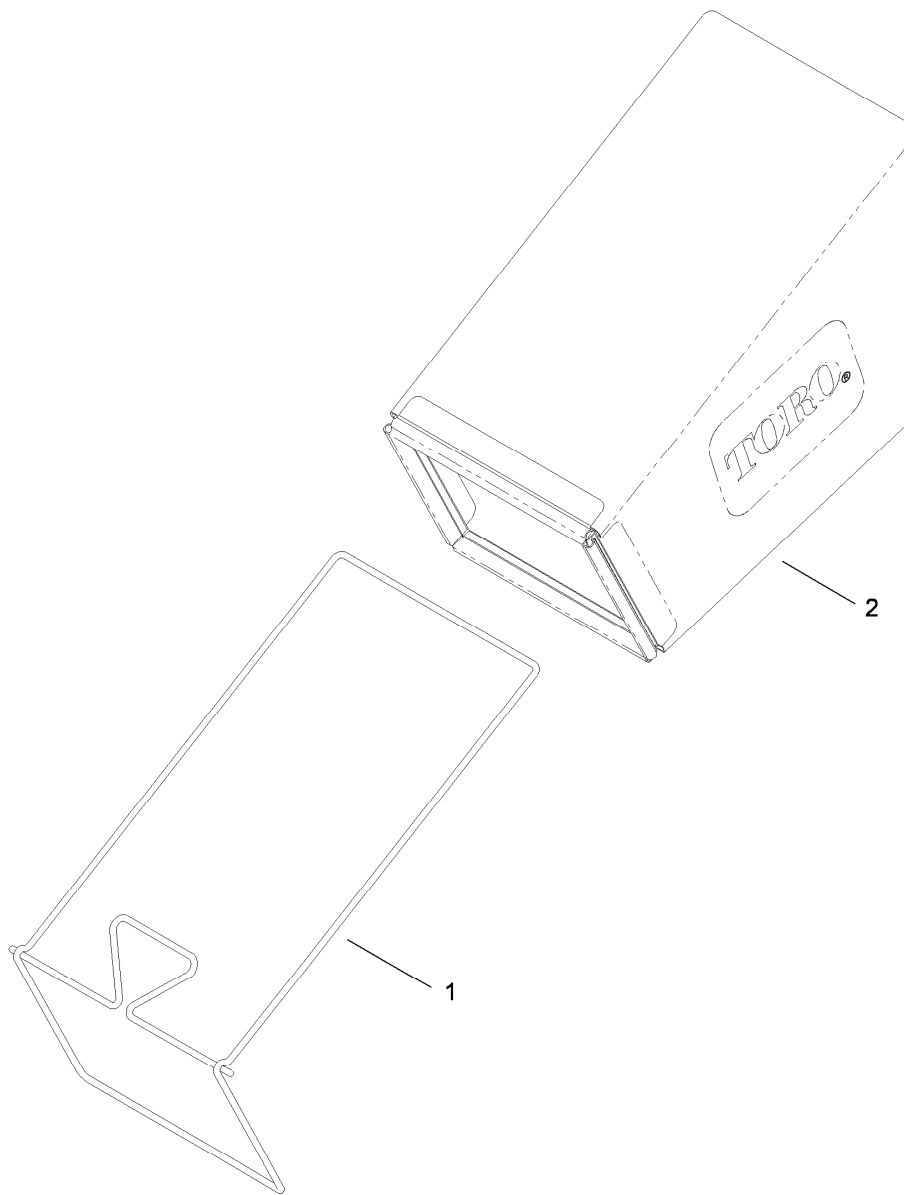
● Not serviced separately

■ Obtain parts from www.briggsandstratton.com



Handle Assembly

<i>Ref.</i>	<i>Part Number</i>	<i>Qty.</i>	<i>Description</i>
1	119-3810-05	1	Handle
4	86-9671	1	Guide-Rope
6	92-2270	1	Screw-Handle
7	3256-1	1	Washer-Flat
8	3296-73	2	Nut-Lock, NI
14	117-5976	2	Knob-Handle, Locking
15	3230-6	2	Screw-CARR
16	114-7988	1	Guide-Cable
22	117-5965-03	1	Bail-Brake
23	119-2378-03	1	Bail-Traction
24	119-7010	1	Cable-Traction
25	112-8818	1	Cable-Brake
26	119-2357	1	Grip-Handle, Comfort



Rear Bag Assembly

<i>Ref.</i>	<i>Part Number</i>	<i>Qty.</i>	<i>Description</i>
1	114-2679-03	1	Frame-Bag
2	115-4673	1	Grass Bag ASM

Attachments and Accessories

For 20338 22in Recycler Lawn Mower

Product Name	Model/Part
Loose Parts Kit	117-4124
Replacement Bag	59310
Replacement Frame and Bag Kit.....	59312
22 Inch Blade Kit.....	59534

Notes:



Count on it.