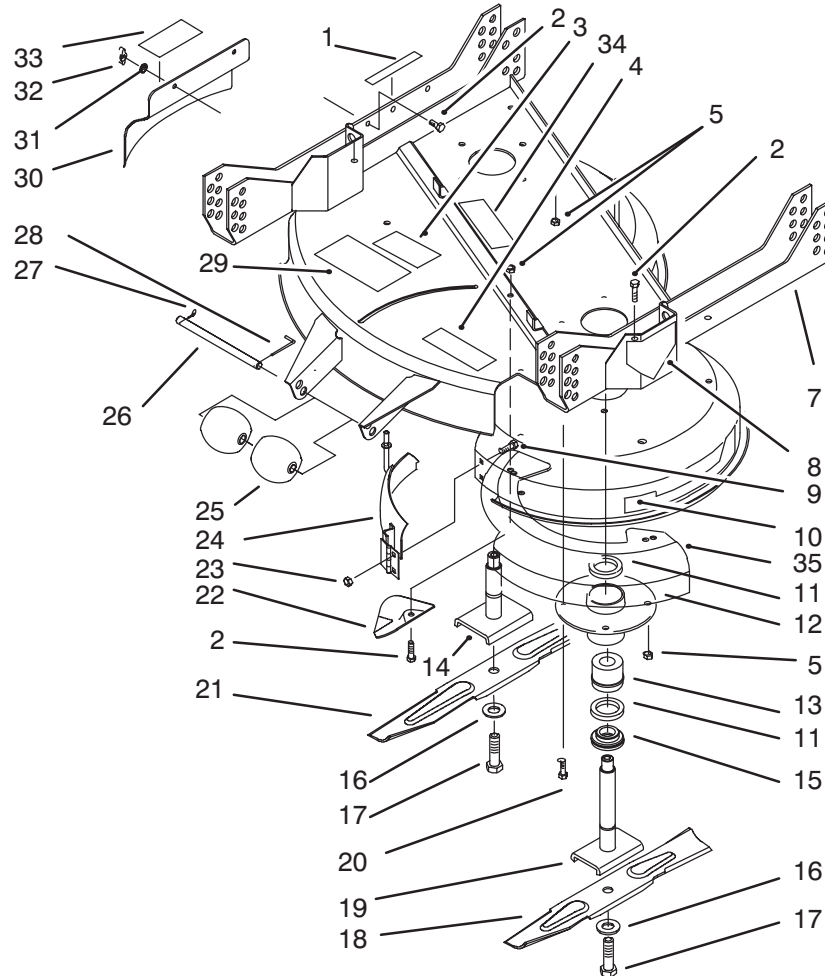




MODEL NO. 30137-690001 & UP	<b>PARTS CATALOG</b>
<b>PROLINE 37"</b> RECYCLER® Rotary Cutting Unit	

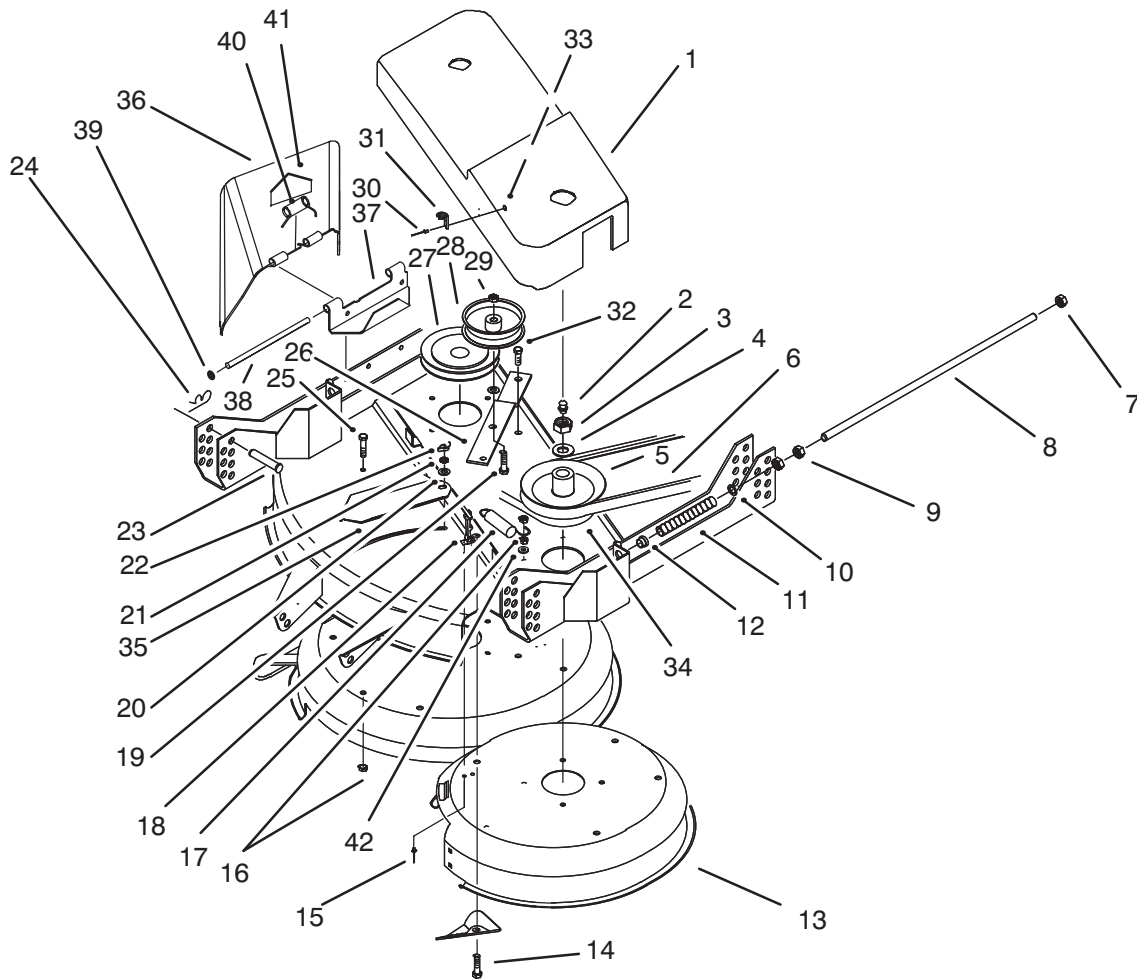


C-1078

## DECK & SPINDLE ASSEMBLY

Ref. No.	Part No.	Description	No. Used
1	68-3650	Decal - Danger	1
2	322-5	Screw - Hex. Hd.	15
3	68-8340	Decal - Caution	1
4	85-7080	Decal - Discharge Door	1
5	3296-29	Nut - Lock	15
7	14-9679	Deck Support (Incl. Ref. #3, 4, 6, 8, & 29)	1
8	43-8480	Decal - Danger	1
9	3229-22	Bolt - Carriage	2
10	84-4340	Decal - 37"	1
11	253-139	Seal - Wave	4
12	82-5990	Housing - Spindle	2
13	46-8530	Bearing Assembly	2
*	27-5970	Set - Matched Bearings	1
14	84-4430	Shaft - Spindle	1
15	27-0950	Spacer - Spindle Bearing	2
16	3253-8	Washer - Lock	2
17	51-4060	Bolt - Blade	2

Ref. No.	Part No.	Description	No. Used
18	93-0107	Blade - 17"	1
19	51-3552	Shaft - Spindle	1
20	322-7	Screw - Hex. Hd.	1
21	93-0106	Blade - 21"	1
22	84-5760	Plate - Kicker	7
23	32149-2	Nut - Keps	2
24	92-2932	Cover - Front	1
25	29-4820	Roller	2
26	40-6400	Shaft - Roller	1
27	3272-11	Pin - Cotter	1
28	57-0690	Pin - Special Cotter	1
29	66-1340	Decal - Danger	1
30	86-9870	Cover - Discharge Chute	1
31	3255-8	Washer - Ext. Tooth	2
32	32103-27	Nut - Wing	2
33	82-7490	Decal - Danger	1
34	67-5360	Decal - Danger	1
35	92-2937	Insert - Deck	1

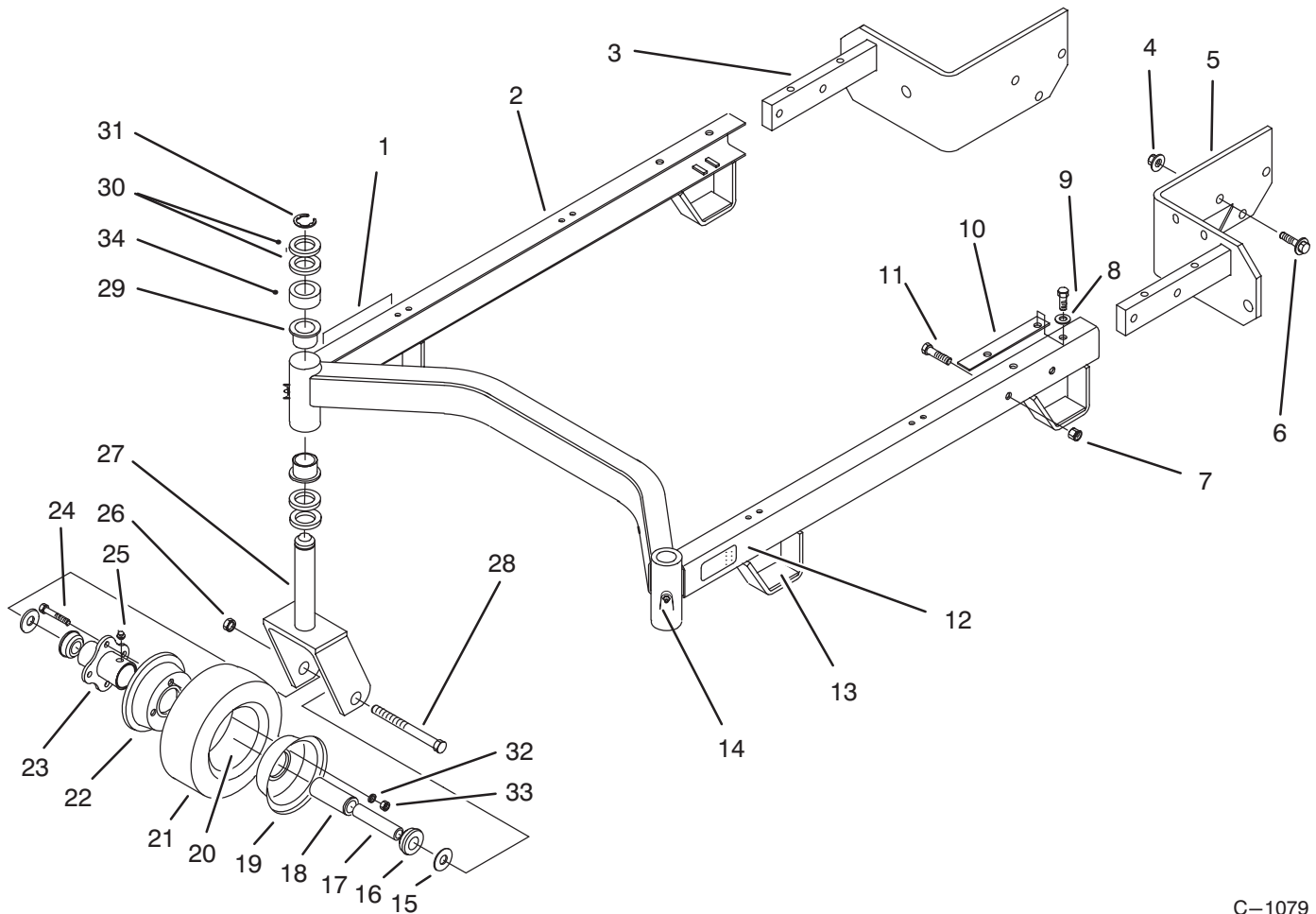


C-1073

## COVER & PULLEY ASSEMBLY

Ref. No.	Part No.	Description	No. Used	Ref. No.	Part No.	Description	No. Used
1	84-4350	Cover - Pulley	1	23	283-55	Pin - Clevis	4
2	302-2	Fitting - Grease	2	24	3290-355	Cotter - Hairpin	4
3	32146-20	Nut - Lock	2	25	322-5	Screw - Hex. Hd.	4
4	7-4150	Spacer - Bearing	2	26	84-4330	Lever - Idler	1
5	84-4360	Pulley - Center	1	27	84-4440	Pulley - Outside	1
6	84-4390	V-Belt - Deck Drive	1	28	36-3220	Pulley - Idler	1
7	3296-45	Nut - Lock	2	29	3296-39	Nut - Hex	1
8	74-0310	Shaft - Adjusting	2	30	3290-415	Rivet - Pop	4
9	3218-5	Nut - Jam	4	31	117343	Keeper - Latch	2
10	41-8440	Washer - Flat	2	32	19-1471	Bolt - Shoulder	1
11	74-0290	Spring - Compression	2	33	3269-10	Washer - Backup	4
12	256-156	Bushing	2	34	84-4410	V-Belt - Deck	1
13	14-9689	Deck	1	35	84-4420	Cover - Slot	1
		(Incl. Ref. #1 & 10 on pg. 1)	1	36	82-7520	Deflector - Discharge	1
14	322-7	Screw - Hex. Hd.	1	37	82-7530	Hinge - Deflector	1
15	3296-13	Rivet - Pop	4	38	82-7540	Pin - Hinge	1
16	3296-29	Nut - Lock	6	39	32151-56	Ring - Retaining	2
17	54-1160	Spring - Extension	1	40	40-6230	Spring - Torsion	1
18	117344	Handle - Latch	2	41	54-9220	Decal - Danger	1
19	323-9	Screw - Hex. Hd.	1	42	3256-23	Washer - Flat	3
20	3256-24	Washer - Flat	2	*	117341	Latch Assembly	2
21	3255-8	Washer - Ext. Tooth	1			(Incl. Ref. # 18 & 31)	
22	32103-27	Nut - Wing	1				

\*Not Illustrated



C-1079

## CARRIER FRAME ASSEMBLY

Ref. No.	Part No.	Description	No. Used	Ref. No.	Part No.	Description	No. Used
1	74-0940	Decal - Height of Cut, R.H. - 1-4"	1	15	3256-6	Washer - Flat	4
*	85-7450	Decal - Height of Cut, R.H. - 2-5"	1	16	62-5580	Bushing	4
2	94-4166	Suspension Frame	1	17	68-8980	Spanner	2
3	86-7110	Angle Bracket - R.H.	1	18	62-5570	Bearing	2
4	32128-23	Nut - Lock	6	19	68-8930	Wheel Half - male	2
5	86-7100	Angle Bracket - L.H.	1	20	68-8950	Tube w/Valve	2
6	3234-6	Screw - Hex Washer Hd. (Gear Drive Only)	6	21	68-8960	Tire	2
*	3234-32	Screw - Hex Washer Hd. (Hydraulic Drive Only)	6	22	68-8920	Wheel Half - Female	2
7	32152-2	Nut - Lock	4	23	68-8940	Hub - Centered	2
8	3256-24	Washer - Flat	4	24	54-8890	Bolt - Wheel	8
9	3235-21	Screw - Hex. Hd.	4	25	302-61	Fitting - Grease	2
10	62-6980	Shim - Carrier	2	26	32153-5	Nut - Lock	2
11	323-9	Screw - Hex. Hd.	4	27	74-0251	Front Castor Fork	2
12	68-8360	Decal - Height of Cut, L.H. - 1-4"	1	28	325-19	Screw - Hex. Hd.	2
*	85-7460	Decal - Height of Cut, L.H. - 2-5"	1	29	94-1291	Bushing	4
13	74-0340	Cushion - Rubber	4	30	3-6781	Washer - Thrust	8
14	302-5	Fitting - Grease	2	31	32151-91	Ring - Retaining	2
				32	3253-4	Washer - Lock	8
				33	3217-6	Nut - Lock	8
				34	93-1167	Spacer - Castor	2
				*	13-3869	Caster Wheel Assembly (Incl Ref. #16, 18-25, 32 & 33)	2

\* Not Illustrated.

# TORO PART NUMBER INDEX

3317-806

Part No.	Description	Pg. No.	Ref. No.	Qty.	Part No.	Description	Pg. No.	Ref. No.	Qty.
117341	Latch Assembly	2	*	2	85-7080	Decal - Discharge Door	1	4	1
117343	Keeper - Latch	2	31	2	85-7450	Decal - Height of Cut,	3	*	1
117344	Handle - Latch	2	18	2	85-7460	Decal - Height of Cut,	3	*	1
3-6781	Washer - Thrust	3	30	8	86-7110	Angle Bracket - R.H.	3	3	1
7-4150	Spacer - Bearing	2	4	2	86-9870	Cover - Discharge Chute	1	30	1
13-3869	Caster Wheel Assembly	3	*	2	92-2932	Cover - Front	1	24	1
14-9679	Deck Support	1	7	1	92-2937	Insert - Deck	1	35	1
14-9689	Deck	2	13	1	93-0106	Blade - 21"	1	21	1
19-1471	Bolt - Shoulder	2	32	1	93-0107	Blade - 17"	1	18	1
27-0950	Spacer - Spindle Bearing	1	15	2	93-1167	Spacer - Castor	3	34	2
27-5970	Set - Matched Bearings	1	*	1	94-1291	Bushing	3	29	4
29-4820	Roller	1	25	2	94-4166	Suspension Frame	3	2	1
36-3220	Pulley - Idler	2	28	1	253-139	Seal - Wave	1	11	4
40-6230	Spring - Torsion	2	40	1	256-156	Bushing	2	12	2
40-6400	Shaft - Roller	1	26	1	283-55	Pin - Clevis	2	23	4
41-8440	Washer - Flat	2	10	2	302-2	Fitting - Grease	2	2	2
43-8480	Decal - Danger	1	8	1	302-5	Fitting - Grease	3	14	2
46-8530	Bearing Assembly	1	13	2	302-61	Fitting - Grease	3	25	2
51-3552	Shaft - Spindle	1	19	1	322-5	Screw - Hex. Hd.	1	2	15
51-4060	Bolt - Blade	1	17	2	322-5	Screw - Hex. Hd.	2	25	4
54-1160	Spring - Extension	2	17	1	322-7	Screw - Hex. Hd.	2	14	1
54-8890	Bolt - Wheel	3	24	8	322-7	Screw - Hex. Hd.	1	20	1
54-9220	Decal - Danger	2	41	1	323-9	Screw - Hex. Hd.	3	11	4
57-0690	Pin - Special Cotter	1	28	1	323-9	Screw - Hex. Hd.	2	19	1
62-5570	Bearing	3	18	2	325-19	Screw - Hex. Hd.	3	28	2
62-5580	Bushing	3	16	4	3217-6	Nut - Lock	3	33	8
62-6980	Shim - Carrier	3	10	2	3218-5	Nut - Jam	2	9	4
66-1340	Decal - Danger	1	29	1	3229-22	Bolt - Carriage	1	9	2
67-5360	Decal - Danger	1	34	1	3234-6	Screw - Hex Washer Hd.	3	6	6
68-8340	Decal - Caution	1	3	1	3235-21	Screw - Hex. Hd.	3	9	4
68-8360	Decal - Height of Cut,	3	12	1	3253-4	Washer - Lock	3	32	8
68-8920	Wheel Half - Female	3	22	2	3253-8	Washer - Lock	1	16	2
68-8930	Wheel Half - male	3	19	2	3255-8	Washer - Ext. Tooth	2	21	1
68-8940	Hub - Centered	3	23	2	3255-8	Washer - Ext. Tooth	1	31	2
68-8950	Tube w/Valve	3	20	2	3256-6	Washer - Flat	3	15	4
68-8960	Tire	3	21	2	3256-23	Washer - Flat	2	42	3
68-8980	Spanner	3	17	2	3256-24	Washer - Flat	3	8	4
74-0251	Front Castor Fork	3	27	2	3256-24	Washer - Flat	2	20	2
74-0290	Spring - Compression	2	11	2	3269-10	Washer - Backup	2	33	4
74-0310	Shaft - Adjusting	2	8	2	3272-11	Pin - Cotter	1	27	1
74-0340	Cushion - Rubber	3	13	4	3290-355	Cotter - Hairpin	2	24	4
74-0940	Decal - Height of Cut,	3	1	1	3290-415	Rivet - Pop	2	30	4
82-5990	Housing - Spindle	1	12	2	3296-13	Rivet - Pop	2	15	4
82-7490	Decal - Danger	1	33	1	3296-29	Nut - Lock	1	5	15
82-7520	Deflector - Discharge	2	36	1	3296-29	Nut - Lock	2	16	6
82-7530	Hinge - Deflector	2	37	1	3296-39	Nut - Hex	2	29	1
82-7540	Pin - Hinge	2	38	1	3296-45	Nut - Lock	2	7	2
84-4330	Lever - Idler	2	26	1	32103-27	Nut - Wing	2	22	1
84-4340	Decal - 37"	1	10	1	32103-27	Nut - Wing	1	32	2
84-4350	Cover - Pulley	2	1	1	32128-23	Nut - Lock	3	4	6
84-4360	Pulley - Center	2	5	1	32146-20	Nut - Lock	2	3	2
84-4390	V-Belt - Deck Drive	2	6	1	32149-2	Nut - Keps	1	23	2
84-4410	V-Belt - Deck	2	34	1	32151-56	Ring - Retaining	2	39	2
84-4420	Cover - Slot	2	35	1	32151-91	Ring - Retaining	3	31	2
84-4430	Shaft - Spindle	1	14	1	32152-2	Nut - Lock	3	7	4
84-4440	Pulley - Outside	2	27	1	32153-5	Nut - Lock	3	26	2
84-5760	Plate - Kicker	1	22	7					

\*Not Illustrated