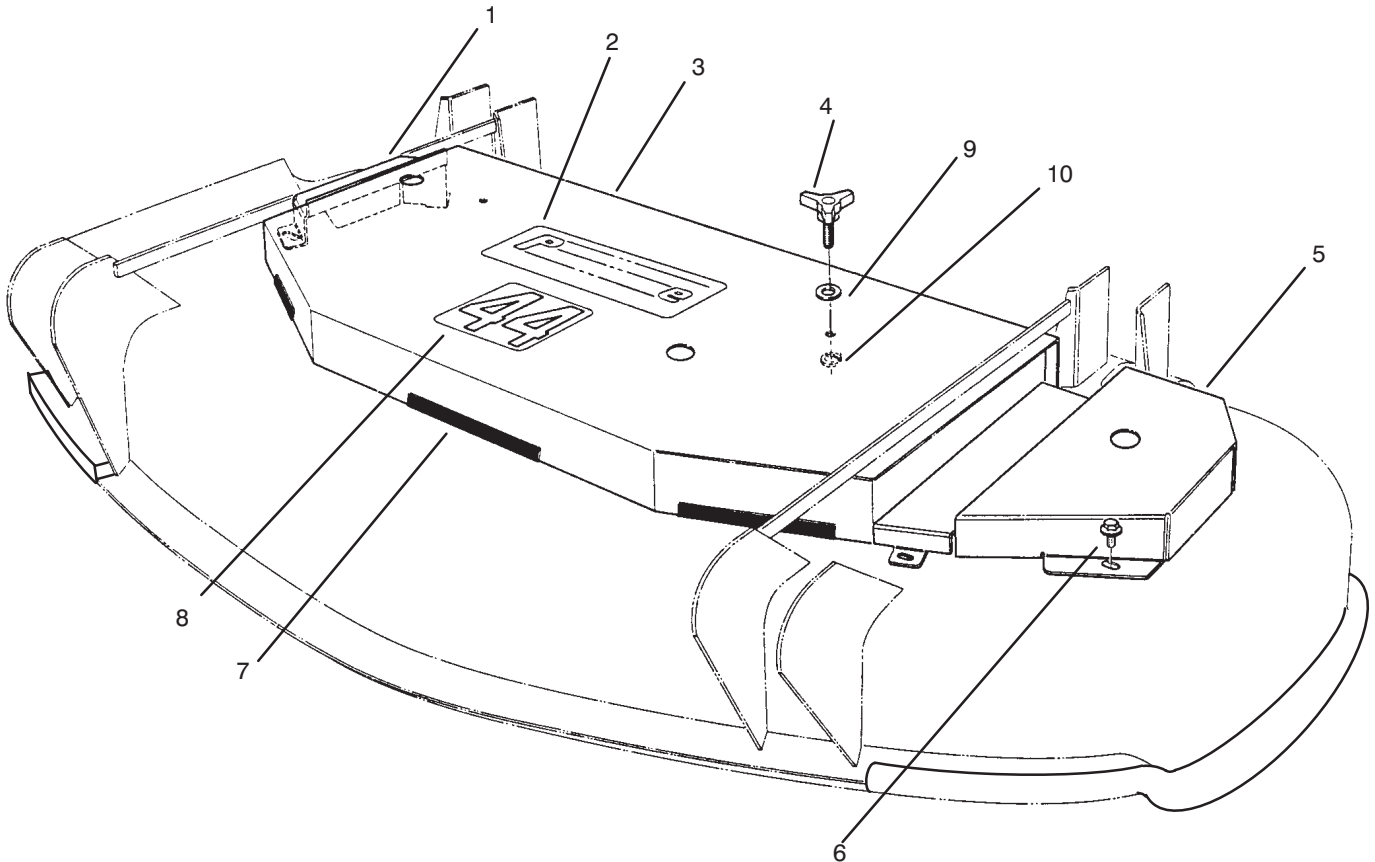




MODEL NO. 30144-690001 & UP

PARTS CATALOG

44" SIDE DISCHARGE CUTTING UNIT
For ProLine Mid-Size Mower



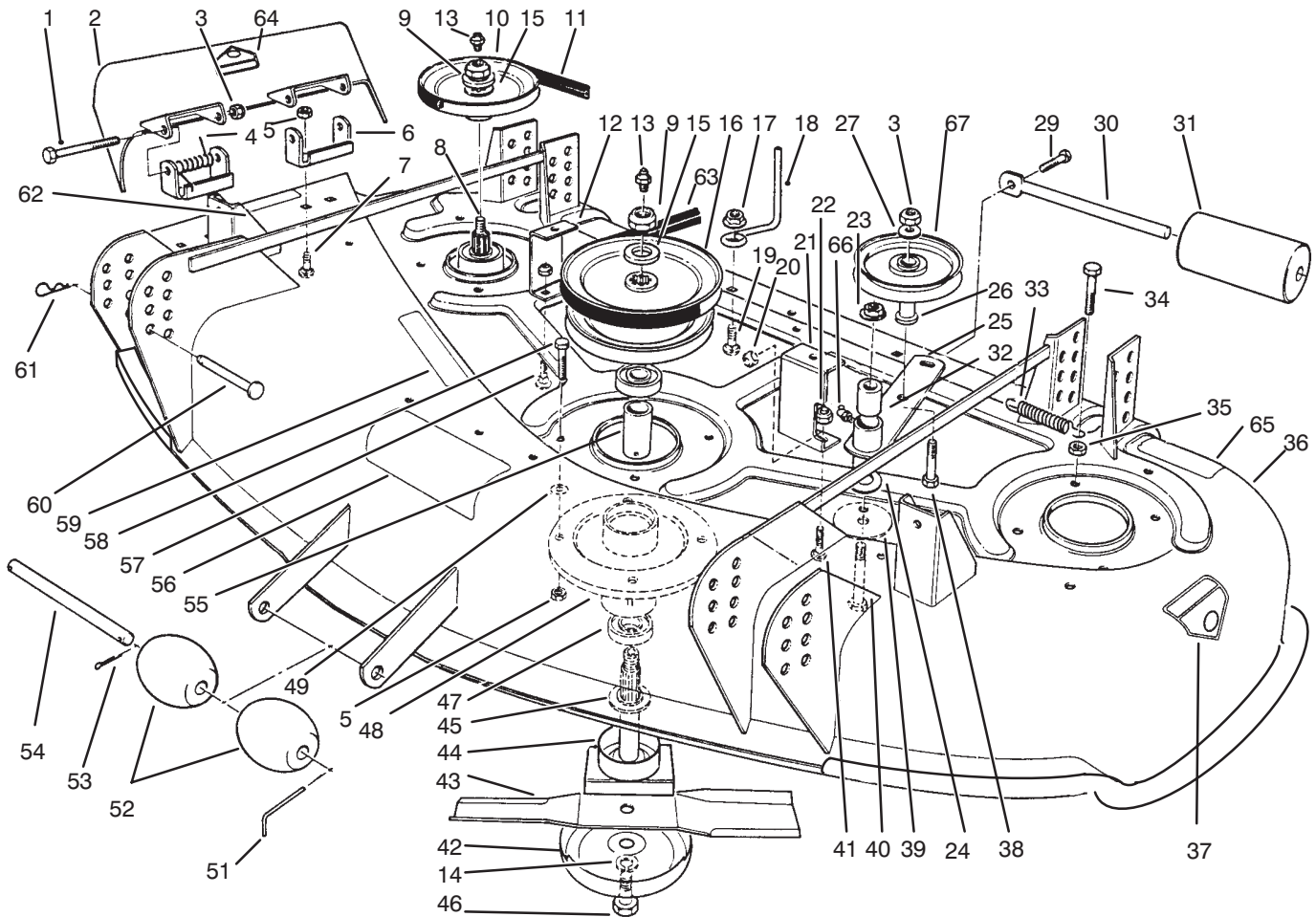
T-0214

CUTTING UNIT DECK COVERS

Ref. No.	Part No.	Description	No. Used
1	54-2250	Cover - Deck R.H.	1
2	74-2080	Decal - Proline	1
3	54-3190	Cover - Deck Center	1
4	62-6520	Knob	2
5	54-2220	Cover - Deck L.H.	1

Ref. No.	Part No.	Description	No. Used
6	46-8560	Screw - Self Tapping	5
7	29-0641	Trim - Jiffy	5
8	54-2760	Decal - 44"	1
9	3256-24	Washer	2
10	32151-72	Ring - Retaining	2

3317-807

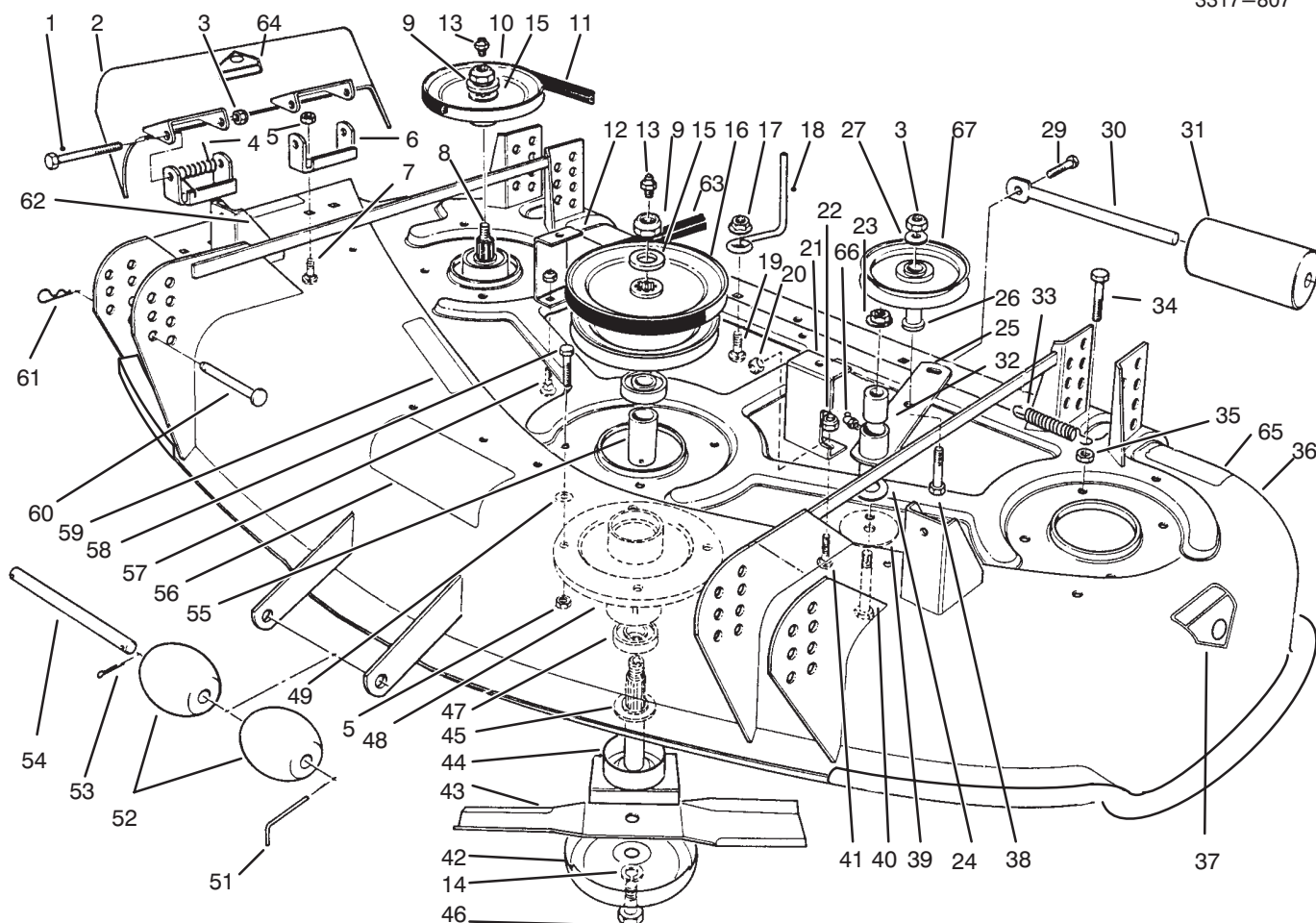


T-0213

CUTTING UNIT ASSEMBLY

Ref. No.	Part No.	Description	No. Used
1	3211-15	Screw - Hex. Hd.	2
2	13-3899	Deflector - Grass (Incl. Ref. #64)	1
3	3296-5	Nut - Lock	3
4	40-6230	Spring - Torsion	2
5	32152-1	Nut - Lock	16
6	55-8320	Bracket - Pivot	1
7	3230-18	Bolt - Carriage	4
8	71-2780	Shaft - Spindle Drive	2
9	32146-20	Nut - Lock	3
10	67-7690	Pulley - Spindle	2
11	27-1160	Belt - Spindle	1
12	54-3230	Cover - Bracket R.H.	1
13	302-2	Fitting - Grease	3
14	3253-8	Washer - Lock	3

Ref. No.	Part No.	Description	No. Used
15	7-4150	Washer - Spindle	3
16	67-7650	Pulley - Center	1
17	32128-13	Nut - Lock	2
18	52-4780	Rod - Belt	2
19	3230-2	Bolt - Carriage	2
20	3296-29	Nut - Lock	1
21	54-3240	Cover - Bracket	1
22	3296-42	Nut - Lock	4
23	32128-19	Nut - Flange Lock	1
24	52-2860	Washer	A/R
25	92-1657	Arm - Idler	1
26	65-5950	Bushing - Pulley	1
27	7-0081	Washer - Special	1
29	322-3	Screw - Hex. Hd.	1
30	62-4480	Shaft - Roller	1

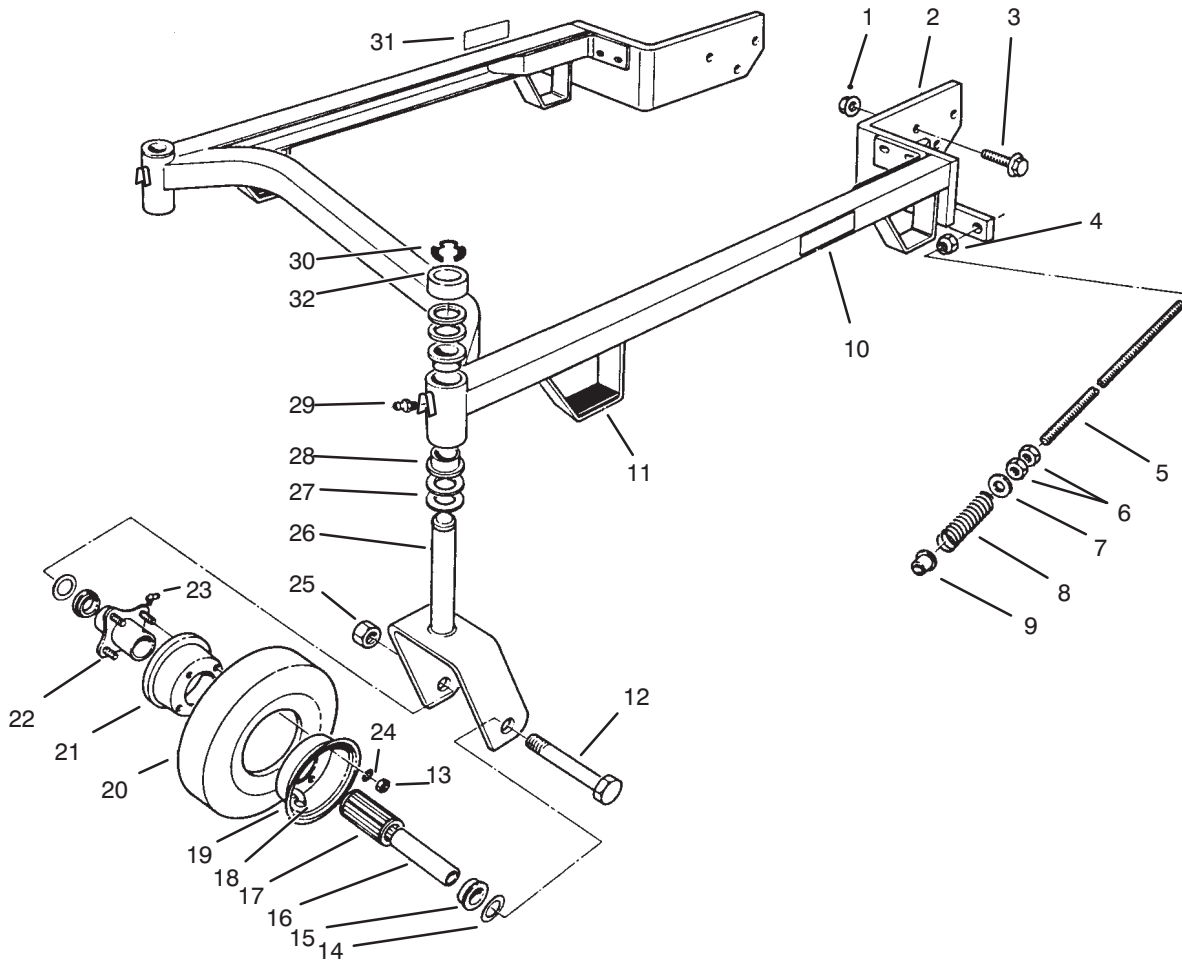


T-0213

CUTTING UNIT ASSEMBLY (Continued)

Ref. No.	Part No.	Description	No. Used	Ref. No.	Part No.	Description	No. Used
31	36-1740	Roller	1	53	3272-11	Pin - Cotter	1
32	79-2760	Spacer- Idler Pivot	1	54	40-6400	Shaft - Roller	1
33	54-2730	Spring - Extension	1	55	67-7580	Spacer - Bearing	3
34	322-6	Screw - Hex. Hd.	1	56	66-1340	Decal - Danger	1
35	3218-2	Nut	1	57	3229-1	Bolt - Carriage	2
36	94-5836	Deck Asm. (Incl. Ref. #37,56,62,64, & 65)	1	58	322-4	Screw - Hex. Hd.	11
37	43-8480	Decal - Danger	1	59	67-5360	Decal - Shield	1
38	3211-8	Screw - Hex. Hd.	1	60	283-55	Pin - Clevis	4
39	20-9530	Washer	1	61	3290-355	Pin - Cotter	4
40	323-13	Screw - Hex. Hd.	1	62	66-6380	Decal - Deflector Missing	1
41	3229-3	Bolt - Carriage	2	63	54-2750	"V"Belt - Deck Drive	1
42	67-7560	Cup - Anti Scalp	3	64	93-1122	Decal - Danger	1
43	54-0010	Blade	3	65	68-8340	Decal - Blade Torque	1
44	71-2790	Shaft - Spindle	1	66	111420	Fitting - Grease	1
45	67-7570	Spacer - Spindle	3	67	64-5940	Pulley - Idler	1
46	51-4060	Bolt - Blade	3	*	55-4940	Blade - High Sail (Optional)	3
47	251-257	Bearing	6	*	67-7660	Spindle Housing Assembly (Incl. Ref.#8-10,13,15,45, 47,48, & 55)	2
48	67-7590	Housing - Spindle	3	*	67-7600	Spindle Housing Assembly (Incl. Ref.#9,13,15,16, 44,45,47,48, & 55)	1
49	3256-2	Washer	A/R				
51	57-0690	Pin - Cotter Special	1				
52	29-4820	Roller	2				

*Not Illustrated



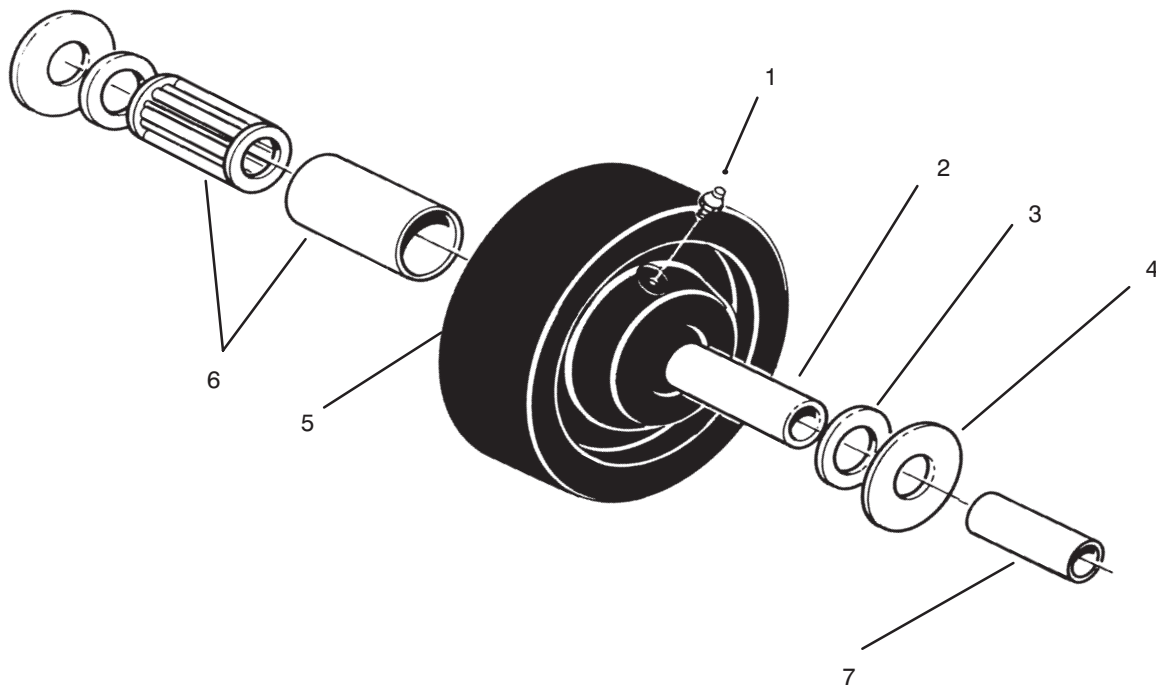
T-0215

CARRIER FRAME ASSEMBLY

Ref. No.	Part No.	Description	No. Used
1	32128-23	Nut - Lock	6
2	94-4175	Frame - Suspension (Incl. Ref. #28)	1
3	3234-6	Screw - Hex. Hd. Flange	6
4	3296-45	Nut - Lock	2
5	74-0310	Shaft - Adjusting	2
6	3218-5	Nut	4
7	41-8440	Washer	2
8	74-0290	Spring - Compression	2
9	256-156	Bushing	2
10	68-8360	Decal - H.O.C., L.H. 1-4"	1
*	85-7450	Decal - H.O.C., L.H. 2-5"	1
11	74-0340	Cushion - Rubber	2
12	325-19	Screw - Hex. Hd.	2
13	3219-2	Nut	8
14	3256-6	Spacer - Wheel	4
15	62-5580	Bushing	4
16	68-8980	Bushing - Spanner	2

Ref. No.	Part No.	Description	No. Used
17	62-5570	Bearing - Roller	2
18	68-8950	Tube w/Valve	2
19	68-8920	Wheel Half - Female	2
20	68-8960	Tire	2
21	68-8930	Wheel Half - Male	2
22	68-8940	Hub - Center	2
23	302-61	Fitting - Grease	2
24	3256-4	Washer - Lock	8
25	32153-5	Nut - Lock	2
26	74-0251	Fork - Castor	2
27	3-6781	Washer - Thrust	8
28	94-1291	Bushing - Special	4
29	302-5	Fitting - Grease	2
30	32151-91	Ring - Retaining	2
31	74-0940	Decal - H.O.C., R.H. 1-4"	1
*	85-7460	Decal - H.O.C., R.H. 2-5"	1
32	93-1167	Spacer - Castor	2
*	68-8970	Tire & Bearing Asm	1

*Not Illustrated



T-0220

CASTOR WHEEL ASSEMBLY NO. 27-1050 (Optional)

Ref. No.	Part No.	Description	No. Used
1	302-55	Fitting - Grease	1
2	27-1200	Spanner - Bushing	1
3	27-1180	Retainer - Bearing	2
4	27-1170	Washer - Thrust	2

Ref. No.	Part No.	Description	No. Used
5	27-1190	Wheel	1
6	27-1210	Bearing - Roller	1
*	68-8980	Spanner	1

*Note Used With Castor Fork No. 68-8900

TORO PART NUMBER INDEX

Part No.	Description	Pg. Ref. No. No. Qty.	Part No.	Description	Pg. Ref. No. No. Qty.
3-6781	Washer - Thrust	4 27 8	68-8960	Tire	4 20 2
7-0081	Washer - Special	2 27 1	68-8980	Bushing - Spanner	4 16 2
7-4150	Washer - Spindle	2 15 3	68-8980	Spanner	5 * 1
111420	Fitting - Grease	3 66 1	71-2780	Shaft - Spindle Drive	2 8 2
13-3869	Castor Wheel Assembly	4 * 1	71-2790	Shaft - Spindle	3 44 1
13-3899	Deflector - Grass	2 2	74-0251	Fork - Castor	4 26 2
20-9530	Washer	3 39 1	74-0290	Spring - Compression	4 8 2
27-1160	Belt - Spindle	2 11 1	74-0310	Shaft - Adjusting	4 5 2
27-1170	Washer - Thrust	5 4 2	74-0340	Cushion - Rubber	4 11 2
27-1180	Retainer - Bearing	5 3 2	74-0940	Decal - H.O.C., R.H. 1-4"	4 31 1
27-1190	Wheel	5 5 1	74-2080	Decal - Proline	1 2 1
27-1200	Spanner - Bushing	5 2 1	79-2760	Spacer - Idler Pivot	3 32 1
27-1210	Bearing - Roller	5 6 1	85-7450	Decal - H.O.C., L.H. 2-5"	4 * 1
29-0641	Trim - Jiffy	1 7 5	85-7460	Decal - H.O.C., R.H. 2-5"	4 * 1
29-4820	Roller	3 52 2	92-1657	Arm - Idler	2 25 1
29-5590	Bracket - Pivot	2 6 1	93-1167	Spacer - Castor	4 32 2
36-1740	Roller	3 31 1	94-1291	Bushing - Special	4 28 4
40-6230	Spring - Torsion	2 4 2	94-4175	Frame - Suspension	4 2 1
40-6400	Shaft - Roller	3 54 1	94-5836	Deck Asm.	3 36 1
41-8440	Washer	4 7 2	251-257	Bearing	3 47 6
43-8480	Decal - Danger	3 37 1	256-156	Bushing	4 9 2
46-8560	Screw - Self Tapping	1 6 5	283-55	Pin - Clevis	3 60 4
51-4060	Bolt - Blade	3 46 3	302-2	Fitting - Grease	2 13 3
52-2860	Washer	2 24A/R	302-5	Fitting - Grease	4 29 2
52-4780	Rod - Belt	2 18 2	302-61	Fitting - Grease	4 23 2
54-0010	Blade	3 43 3	305-55	Fitting - Grease	5 1 1
54-2220	Cover - Deck L.H.	1 5 1	322-3	Screw - Hex. Hd.	2 29 1
54-2250	Cover - Deck R.H.	1 1 1	322-4	Screw - Hex. Hd.	3 58 11
54-2730	Spring - Extension	3 33 1	322-6	Screw - Hex. Hd.	3 34 1
54-2750	VBelt - Deck Drive	3 63 1	323-13	Screw - Hex. Hd.	3 40 1
54-2760	Decal - 44"	1 8 1	325-19	Screw - Hex. Hd.	4 12 2
54-3190	Cover - Deck Center	1 3 1	3211-8	Screw - Hex. Hd.	3 38 1
54-3230	Cover - Bracket R.H.	2 12 1	3211-15	Screw - Hex. Hd.	2 1 2
54-3240	Cover - Bracket	2 21 1	3218-2	Nut	3 35 1
54-9220	Decal - Danger	3 64 1	3218-5	Nut	4 6 4
55-4940	Blade - High Sail (Optional)	3 * 3	3219-2	Nut	4 13 8
57-0690	Pin - Cotter Special	3 51 1	3229-1	Bolt - Carriage	3 57 2
62-4480	Shaft - Roller	2 30 1	3229-3	Bolt - Carriage	3 41 2
62-5570	Bearing - Roller	4 17 2	3230-2	Bolt - Carriage	2 19 2
62-5580	Bushing	4 15 4	3230-18	Bolt - Carriage	2 7 4
62-6520	Knob	1 4 2	3234-6	Screw - Hex. Hd. Flange	4 3 6
64-5940	Pulley - Idler	3 67 1	3253-8	Washer - Lock	2 14 3
65-5950	Bushing - Pulley	2 26 1	3256-2	Washer	3 49A/R
66-1340	Decal - Danger	3 56 1	3256-4	Washer - Lock	4 24 8
66-6380	Decal - Deflector Missing	3 62 1	3256-6	Spacer - Wheel	4 14 4
67-5360	Decal - Shield	3 59 1	3256-24	Washer	1 9 2
67-7561	Cup - Anti Scalp	3 42 3	3272-11	Pin - Cotter	3 53 1
67-7570	Spacer - Spindle	3 45 3	3290-355	Pin - Cotter	3 61 4
67-7580	Spacer - Bearing	3 55 3	3296-5	Nut - Lock	2 3 3
67-7590	Housing - Spindle	3 48 3	3296-29	Nut - Lock	2 20 1
67-7600	Spindle Housing Assembly	3 * 1	3296-42	Nut - Lock	2 22 4
67-7650	Pulley - Center	2 16 1	3296-45	Nut - Lock	4 4 2
67-7660	Spindle Housing Assembly	3 * 2	32128-13	Nut - Lock	2 17 2
67-7690	Pulley - Spindle	2 10 2	32128-19	Nut - Flange Lock	2 23 1
68-8340	Decal - Blade Torque	3 65 1	32128-23	Nut - Lock	4 1 6
68-8360	Decal - H.O.C., L.H. 1-4"	4 10 1	32146-20	Nut - Lock	2 9 3
68-8920	Wheel Half - Female	4 19 2	32151-72	Ring - Retaining	1 10 2
68-8930	Wheel Half - Male	4 21 2	32151-91	Ring - Retaining	4 30 2
68-8940	Hub - Center	4 22 2	32152-1	Nut - Lock	2 5 16
68-8950	Tube w/Valve	4 18 2	32153-5	Nut - Lock	4 25 2

*Not Illustrated

