



**Count on it.**

**Parts Catalog**

**Road-Ready Pro Force Debris  
Blower**

**Model No. 44539—Serial No. 31000001 and Up**

# Ordering Replacement Parts

To order replacement parts, please supply the part number, the quantity, and the description of each part desired.

## Understanding Reference Numbers

Each identified part in an illustration has a reference number. The reference number for a part also appears in the parts list, along with other information about the part.

This catalog uses two special reference number formats, one to indicate parts in a service assembly and another to indicate the quantity of a given part in an illustration.

## Service Assembly Reference Numbers

Parts in service assemblies have reference numbers in the form a:b. The a represents the reference number of the entire service assembly and the b represents a sequential number unique to each part within the service assembly.

For example, a wheel assembly might be identified by reference number 6, the tire by 6:1, the valve by 6:2, and the wheel by 6:3. When you order the assembly identified by reference number 6, you receive all parts identified by reference numbers 6:1, 6:2, and 6:3. However, you may also order any part individually. Reference numbers of this type appear in illustration and in parts lists.

## Reference Numbers Indicating Quantity

In an illustration, if a reference number indicates more than one part, the reference number has the form nX y. The n represents the quantity of the part, the X is the multiplication symbol, and the y represents the reference number.

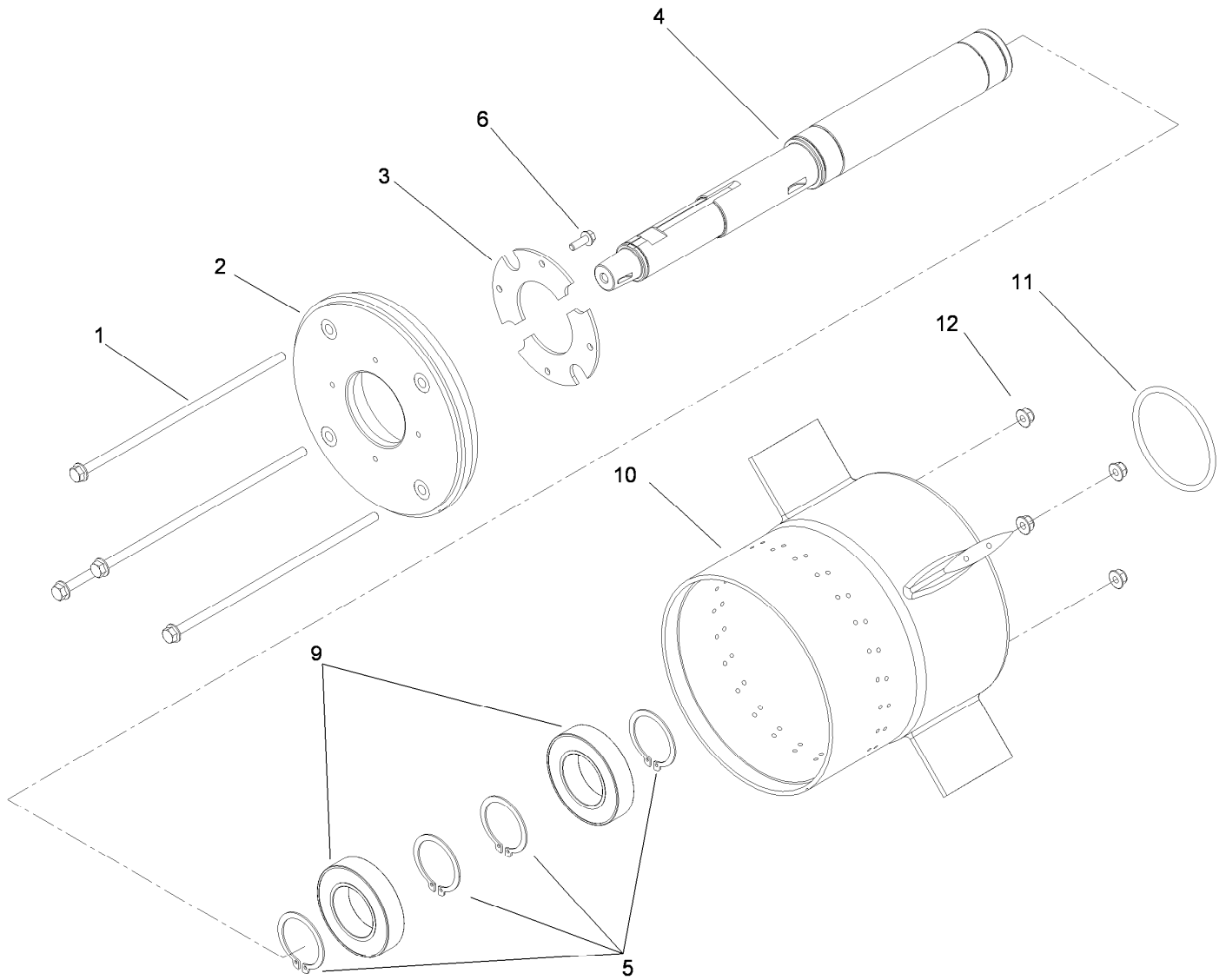
For example, in an illustration, the reference number 2X 37 means that two of the parts identified by reference number 37 are indicated.

# List of Abbreviations

|  |  |                                      |
|--|--|--------------------------------------|
| <b>AR:</b> as required                       | <b>HSBH:</b> hex socket button head            | <b>SFH:</b> slotted fillister head   |
| <b>ASM:</b> assembly                         | <b>HSFH:</b> hex socket flat head              | <b>SHH:</b> slotted hex head         |
| <b>BBC:</b> blade brake clutch               | <b>HSH:</b> hex socket head                    | <b>SHWH:</b> slotted hex washer head |
| <b>CARR:</b> carriage                        | <b>HWH:</b> hex washer head                    | <b>SPH:</b> slotted pan head         |
| <b>CCW:</b> counter clock wise               | <b>HWTF:</b> hex washer head thread forming    | <b>SQH:</b> square head              |
| <b>CW:</b> clockwise                         | <b>HYD:</b> hydraulic                          | <b>SRH:</b> slotted round head       |
| <b>DEG:</b> degrees                          | <b>LH:</b> left hand                           | <b>STD:</b> standard                 |
| <b>ECM:</b> electronic control module        | <b>NI:</b> nylon insert                        | <b>TAP:</b> self tapping             |
| <b>EXT:</b> external                         | <b>NPTF:</b> national pipe thread fine         | <b>TTH:</b> torx truss head          |
| <b>FH:</b> flat head                         | <b>PFH:</b> phillips flat head                 |                                      |
| <b>GA:</b> gauge                             | <b>PPH:</b> phillips pan head                  |                                      |
| <b>HD:</b> heavy-duty                        | <b>PPHTF:</b> phillips pan head thread forming |                                      |
| <b>HF:</b> hex flange                        | <b>PRH:</b> phillips round head                |                                      |
| <b>HH:</b> hex head                          | <b>PTH:</b> phillips truss head                |                                      |
| <b>HHF:</b> hex head flange                  | <b>PTO:</b> power-take-off                     |                                      |
| <b>HHFTF:</b> hex head flange thread forming | <b>RH:</b> right hand                          |                                      |
| <b>HJ:</b> hex jam                           | <b>ROPS:</b> roll-over protection system       |                                      |
| <b>HLH:</b> hex lag head                     | <b>RRB:</b> rear roller brush                  |                                      |
| <b>HOC:</b> height-of-cut                    |  |                                      |

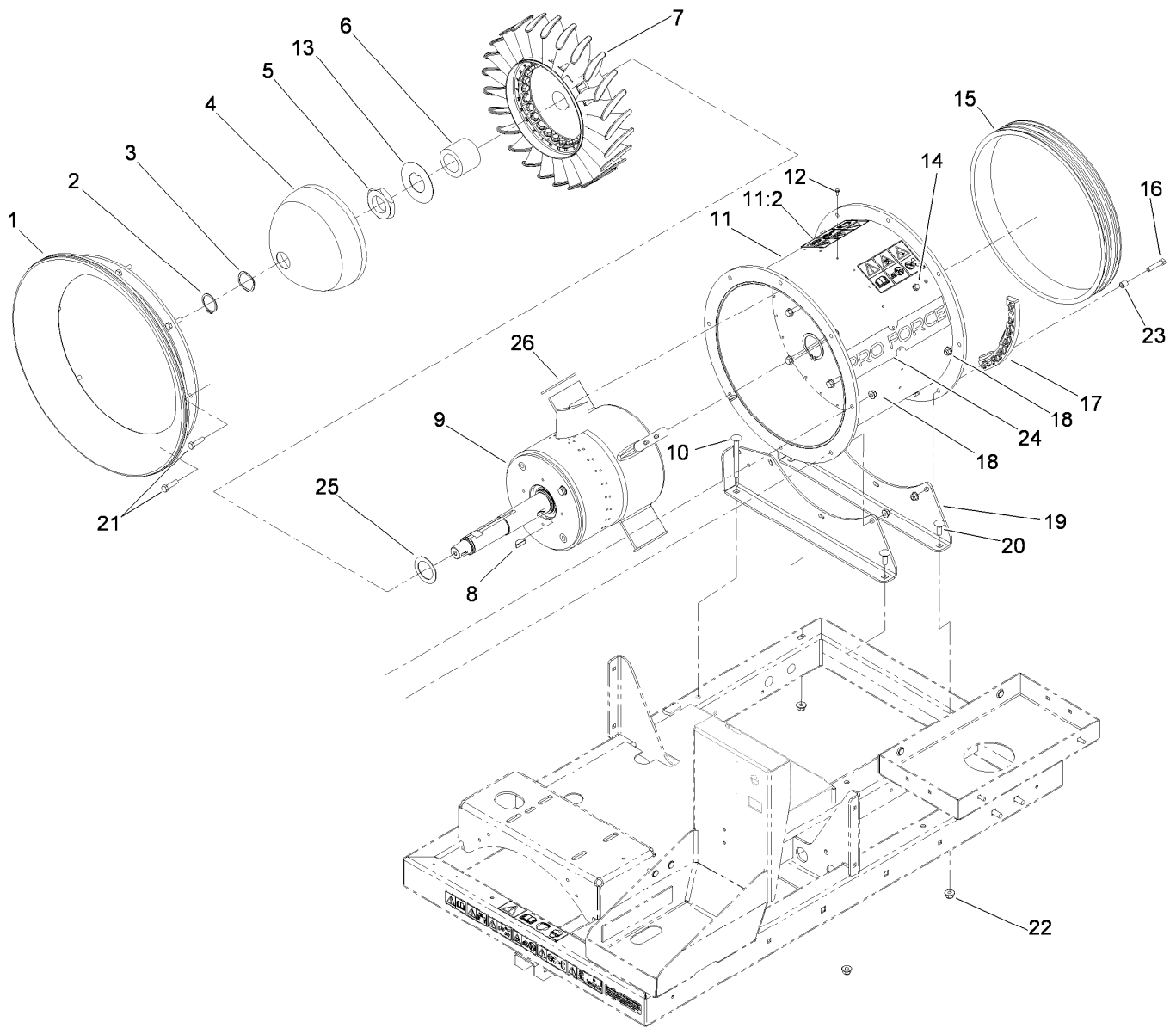
# Contents

|  |    |
|--|----|
| Shaft and Rotor Assembly .....               | 4  |
| Turbine Assembly .....                       | 5  |
| Trailer, Fuel Tank and Wheel Assembly .....  | 6  |
| Fuel Tank Assembly No. 117-8455 .....        | 7  |
| Hitch Assembly .....                         | 8  |
| Nozzle, Motor, Belt and Guard Assembly ..... | 9  |
| Clutch and Battery Assembly .....            | 10 |
| Engine and Muffler Assembly .....            | 11 |
| Fuel System Assembly .....                   | 12 |
| Electrical Assembly .....                    | 13 |
| Tail Light and Reflector Assembly .....      | 14 |



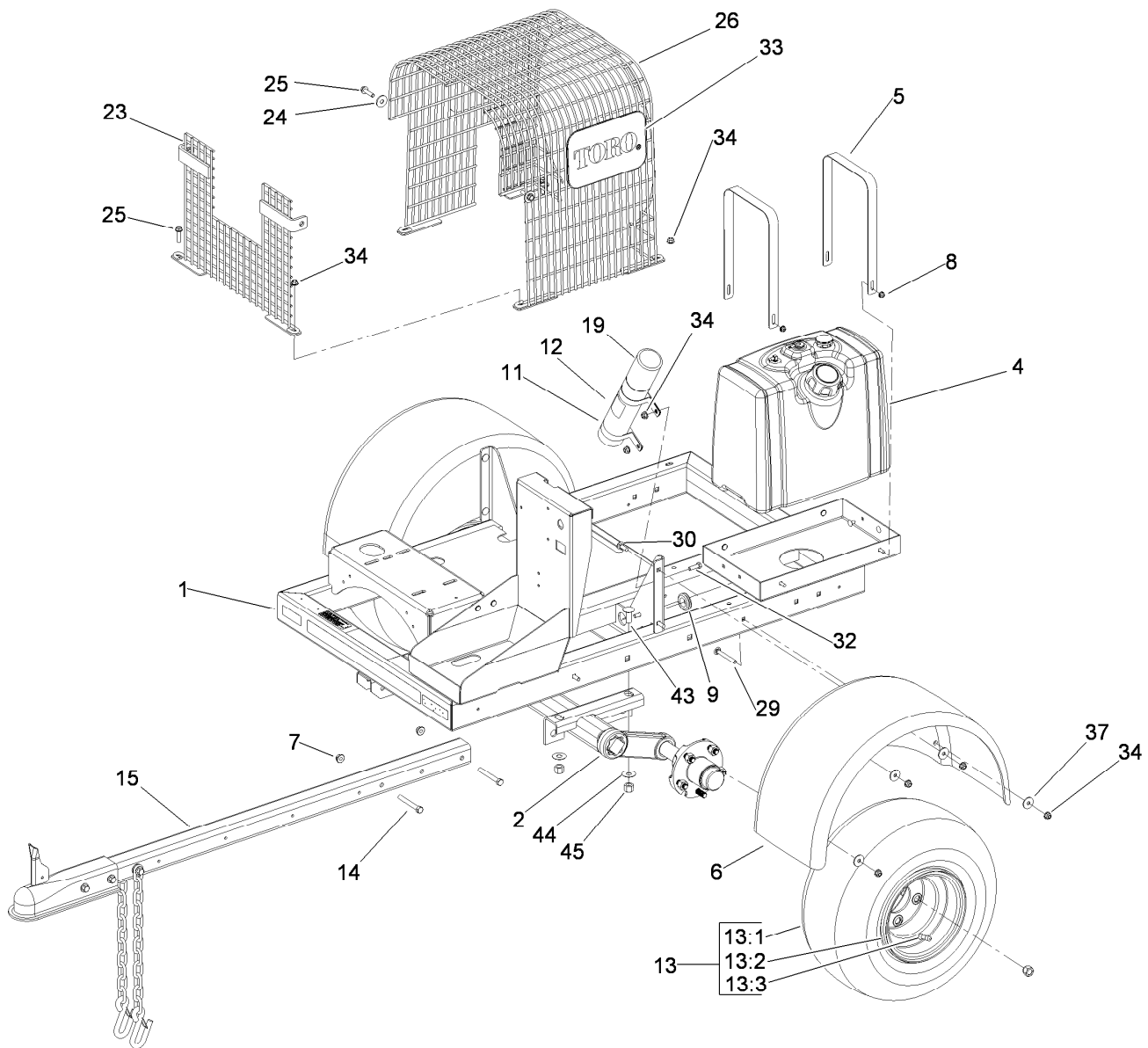
## Shaft and Rotor Assembly

| <i>Ref.</i> | <i>Part Number</i> | <i>Qty.</i> | <i>Description</i> |
|-------------|--------------------|-------------|--------------------|
| 1           | 119-6154           | 4           | Screw-HH           |
| 2           | 119-6161           | 1           | Holder-Bearing     |
| 3           | 119-3019           | 2           | Cap-Bearing, Front |
| 4           | 115-9075           | 1           | Shaft-Fan          |
| 5           | 112-1951           | 4           | Snap-EXT           |
| 6           | 117-8304           | 4           | Screw-HHF          |
| 9           | 112-6764           | 2           | Bearing-Ball, 50Mm |
| 10          | 119-6160           | 1           | Housing-Inner      |
| 11          | 92-9533            | 1           | O-Ring             |
| 12          | 104-8300           | 4           | Nut-Flange, NI     |



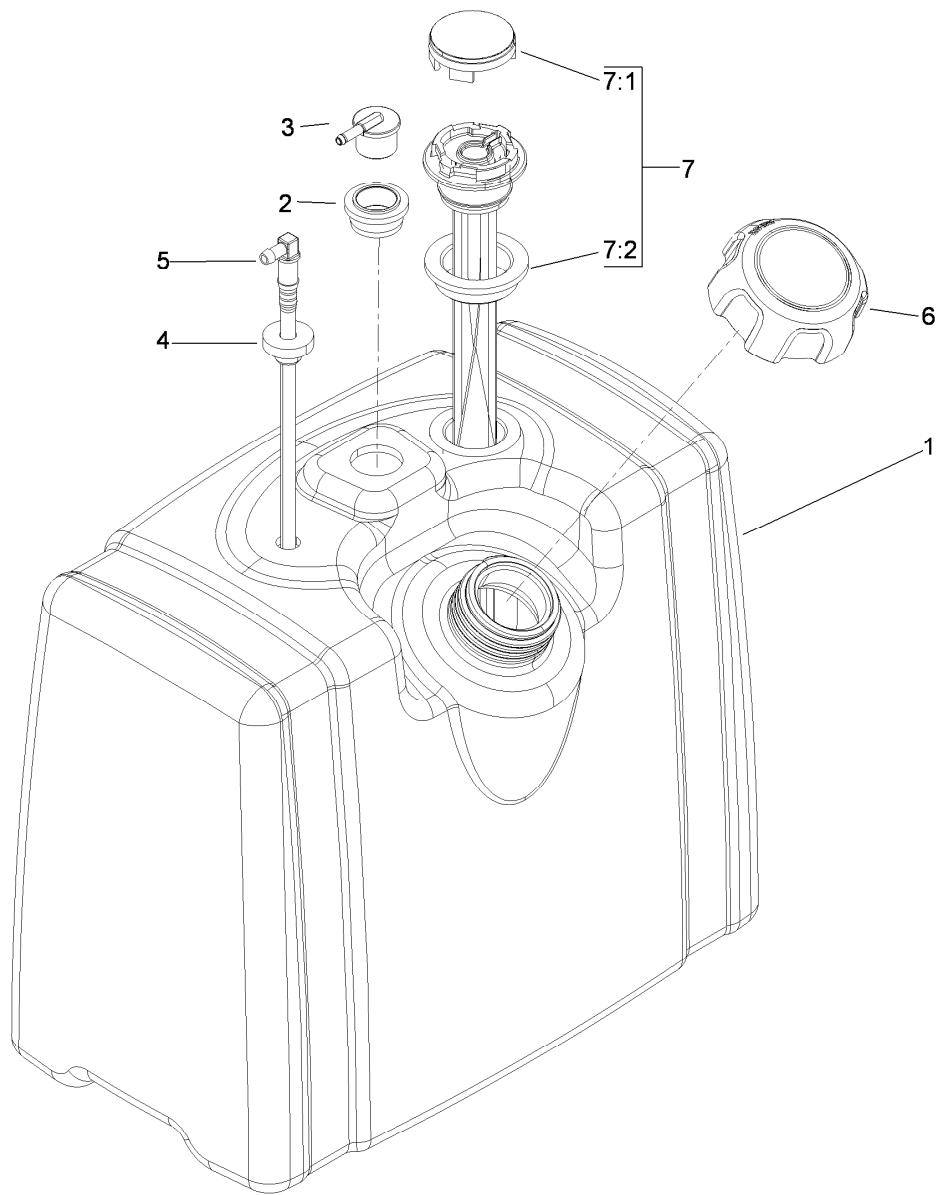
## Turbine Assembly

| <i>Ref.</i> | <i>Part Number</i> | <i>Qty.</i> | <i>Description</i> | <i>Ref.</i> | <i>Part Number</i> | <i>Qty.</i> | <i>Description</i> |
|-------------|--------------------|-------------|--------------------|-------------|--------------------|-------------|--------------------|
| 1           | 117-8329           | 1           | Bell-Inlet         | 14          | 117-8304           | 8           | Screw-HHF          |
| 2           | 112-1952           | 1           | Clip-EXT, Dome     | 15          | 112-1874           | 1           | Pulley-Nozzle      |
| 3           | 93-4632            | 3           | Washer-Wavey       | 16          | 322-7              | 6           | Screw-HH           |
| 4           | 112-1900           | 1           | Cap-Front          | 17          | 114-9868           | 4           | Guide-Nozzle       |
| 5           | 112-1899           | 1           | Nut                | 18          | 104-8300           | 14          | Nut-Flange, NI     |
| 6           | 114-2164           | 1           | Spacer             | 19          | 112-6851-01        | 2           | Mount-Fan          |
| 7           | 117-8356           | 1           | Rotor ASM          | 20          | 3231-2             | 2           | Screw-CARR         |
| 8           | 3257-42            | 1           | Key-Woodruff       | 21          | 322-6              | 8           | Screw-HH           |
| 9           | 112-1871           | 24          | Vane-Stator        | 22          | 104-8301           | 4           | Nut-Flange, NI     |
| 10          | 3231-24            | 2           | Screw-CARR         | 23          | 93-6859            | 8           | Spacer             |
| 11          | 115-5128           | 1           | Housing ASM        | 24          | 115-5102           | 2           | Decal-Proforce     |
| 11:2        | 115-5106           | 2           | Decal-Danger       | 25          | 115-5131           | 1           | Washer             |
| 12          | 117-8303           | 24          | Screw-HHF          | 26          | 117-8393           | 4           | Spacer-Fin         |
| 13          | 115-9005           | 1           | Washer-Tab         |             |                    |             |                    |



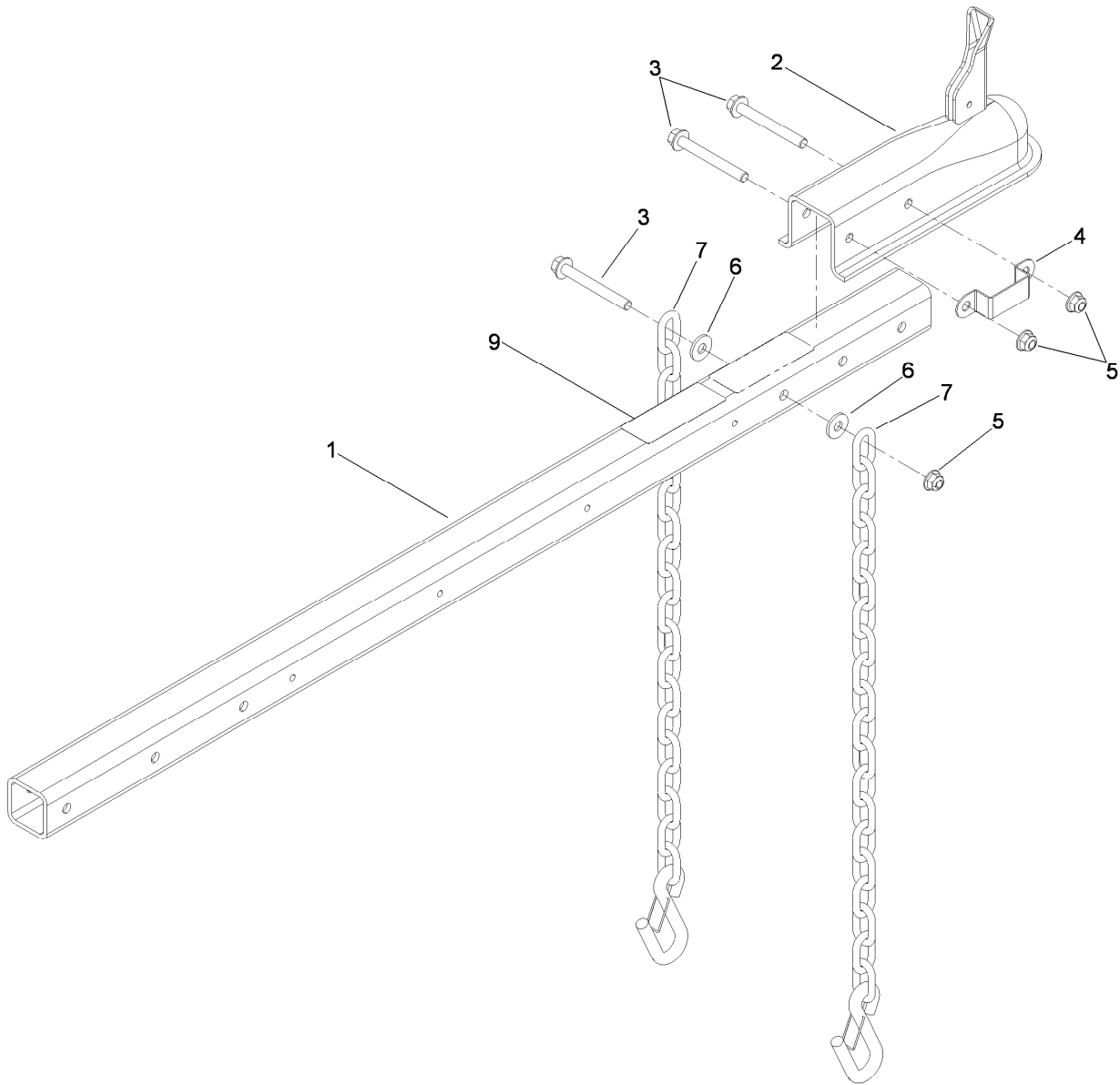
## Trailer, Fuel Tank and Wheel Assembly

| <i>Ref.</i> | <i>Part Number</i> | <i>Qty.</i> | <i>Description</i> | <i>Ref.</i> | <i>Part Number</i> | <i>Qty.</i> | <i>Description</i>    |
|-------------|--------------------|-------------|--------------------|-------------|--------------------|-------------|-----------------------|
| 1           | 119-2953           | 1           | Frame ASM          | 15          | 119-3005           | 1           | Hitch ASM             |
| 2           | 119-2966           | 1           | Torflex Axle ASM   | 19          | 104-7048           | 1           | Cap-Housing           |
| 4           | 117-8455           | 1           | Fuel Tank ASM      | 23          | 114-2214           | 1           | Grill-Side            |
| 5           | 119-3002-03        | 2           | Strap-Tank         | 24          | 52-2861            | 2           | Washer                |
| 6           | 112-6852           | 2           | Fender             | 25          | 112-6913           | 4           | Screw-HHF             |
| 7           | 104-8301           | 6           | Nut-Flange, NI     | 26          | 112-6876           | 1           | Top Grill ASM         |
| 8           | 104-7201           | 6           | Nut-HF             | 29          | 3230-9             | 4           | Screw-CARR            |
| 9           | 1-543286           | 2           | Grommet            | 30          | 3230-2             | 4           | Bolt-CARR             |
| 11          | 2412-133           | 2           | R-Clamp            | 32          | 322-5              | 2           | Screw-HH              |
| 12          | 104-7050           | 1           | Tube-Manual        | 33          | 92-1242            | 2           | Decal                 |
| 13          | 119-3013           | 2           | Wheel And Tire ASM | 34          | 104-8300           | 12          | Nut-Flange, NI        |
| 13:1        | 119-3009           | 1           | Tire               | 37          | 3256-82            | 8           | Washer-Flat           |
| 13:2        | 119-3010           | 1           | Rim                | 43          | 3233-26            | 4           | Screw-CARR-Short Neck |
| 13:3        | 232-27             | 1           | Stem-Valve         | 44          | 5-4527             | 4           | Washer-Thrust         |
| 14          | 323-14             | 2           | Screw-HH           | 45          | 3296-23            | 4           | Nut-Lock, NI          |



## Fuel Tank Assembly No. 117-8455

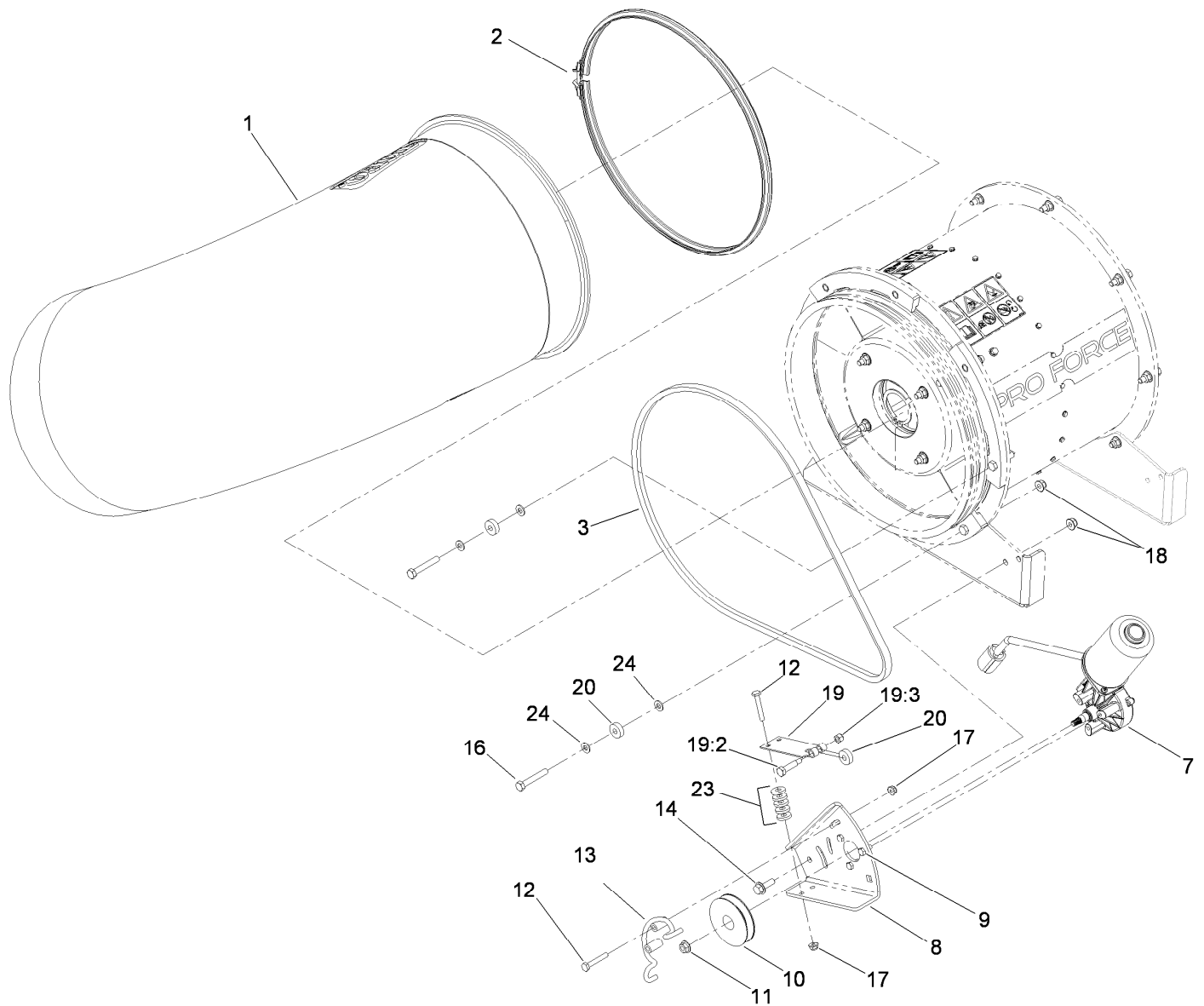
| <i>Ref.</i> | <i>Part Number</i> | <i>Qty.</i> | <i>Description</i>      |
|-------------|--------------------|-------------|-------------------------|
| 1           | 117-8453           | 1           | Tank-Fuel               |
| 2           | 114-0284           | 1           | Grommet-Valve, Rollover |
| 3           | 114-0285           | 1           | Valve-Rollover          |
| 4           | 46-6560            | 1           | Bushing                 |
| 5           | 115-9044           | 1           | Stand Pipe              |
| 6           | 115-7788           | 1           | Cap-Fuel                |
| 7           | 119-0509           | 1           | Gauge ASM               |
| 7:1         | 117-8404           | 1           | Dial-Guage              |
| 7:2         | 119-0508           | 1           | Seal                    |



## Hitch Assembly

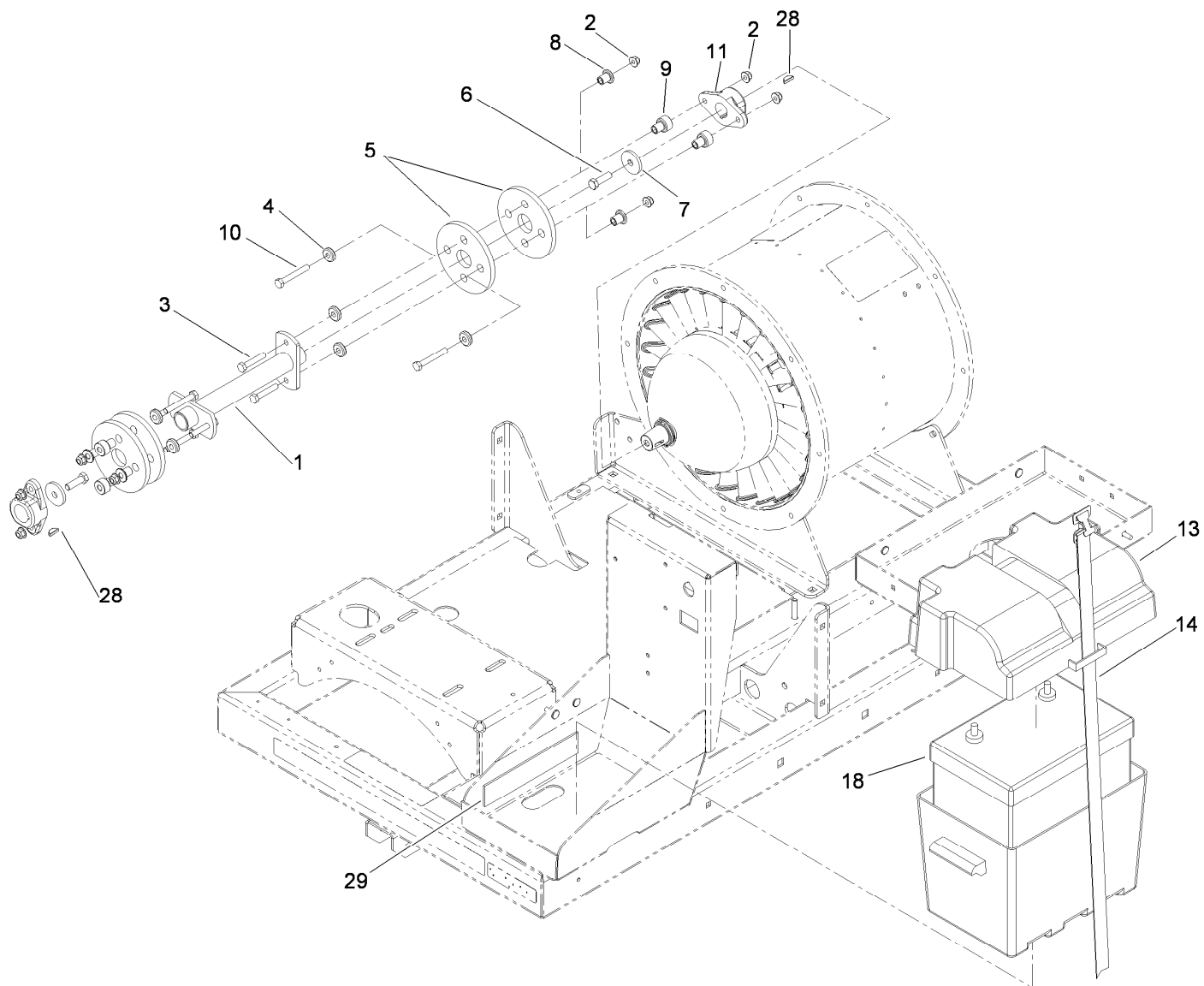
| <b>Ref.</b> | <b>Part Number</b> | <b>Qty.</b> | <b>Description</b>    |
|-------------|--------------------|-------------|-----------------------|
| 1           | 119-3007-01        | 1           | Tube-Hitch            |
| 2           | 117-8371           | 1           | Receiver-Hitch, Ball  |
| 3           | 3234-41            | 3           | Screw-HHF             |
| 4           | 119-3006           | 1           | Hook-Light            |
| 5           | 104-8301           | 3           | Nut-Flange, NI        |
| 6           | 80-6990            | 2           | Washer-Hardened       |
| 7           | 119-3045           | 2           | Safety-Chain, Trailer |
| 9           | 119-6162           | 1           | Decal-Tire            |





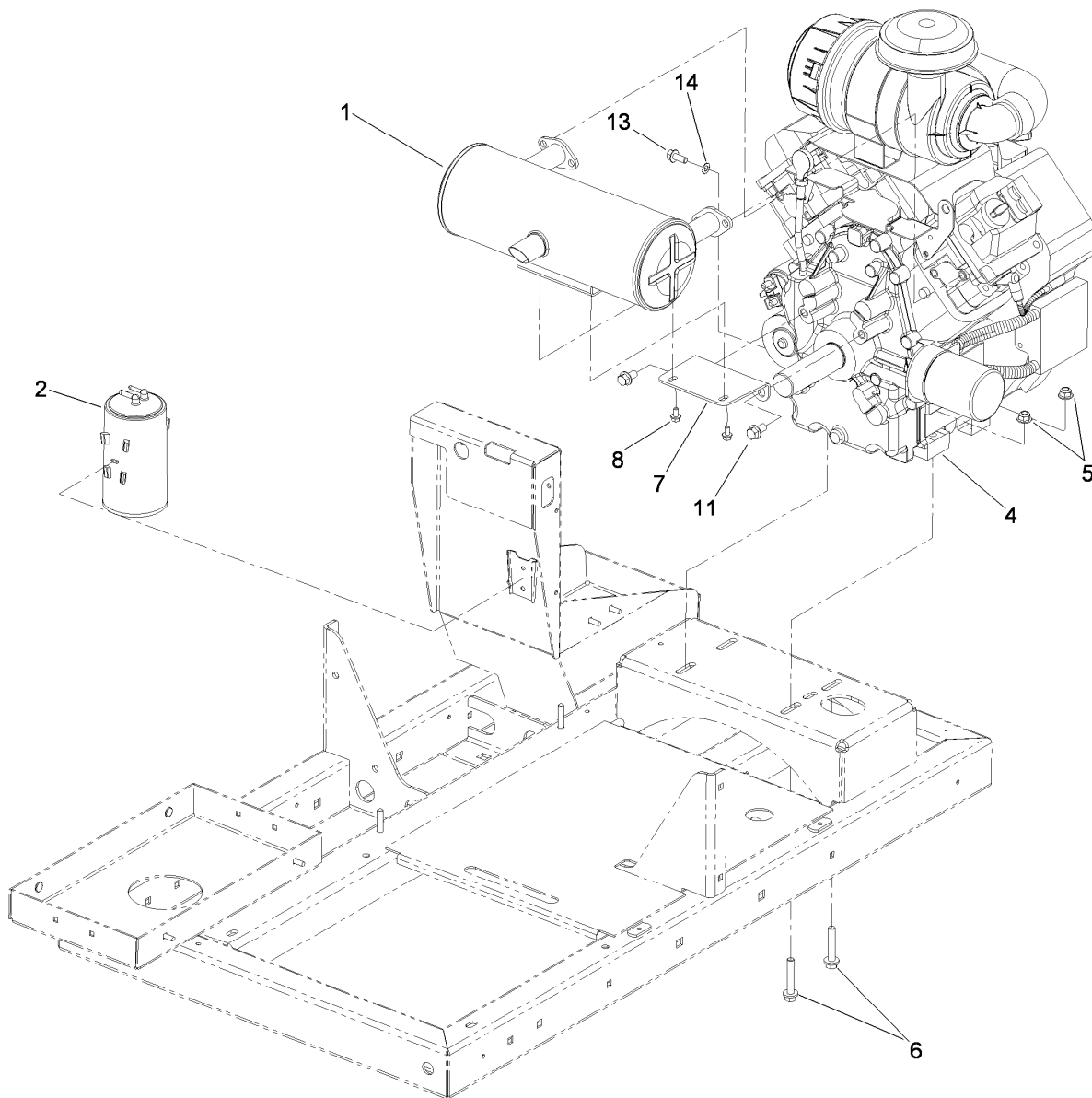
## Nozzle, Motor, Belt and Guard Assembly

| Ref. | Part Number | Qty. | Description       | Ref. | Part Number | Qty. | Description     |
|------|-------------|------|-------------------|------|-------------|------|-----------------|
| 1    | 117-8326    | 1    | Nozzle            | 14   | 3234-29     | 2    | Screw-HHF       |
| 2    | 112-6899    | 1    | Clamp-Nozzle      | 16   | 322-10      | 2    | Screw-HH        |
| 3    | 112-1853    | 1    | Belt-V            | 17   | 104-7201    | 4    | Nut-HF          |
| 7    | 117-8401    | 1    | Motor-Reversible  | 18   | 104-8300    | 2    | Nut-Flange, NI  |
| 8    | 115-5149-01 | 1    | Bracket-Motor     | 19   | 110-9650    | 1    | Leaf Spring ASM |
| 9    | 33113-016   | 3    | Screw-HH          | 19:2 | 36-2250     | 1    | Bolt-Shoulder   |
| 10   | 115-5147    | 1    | Pulley            | 19:3 | 3296-42     | 1    | Nut-Lock, NI    |
| 11   | 98-0668     | 1    | Nut               | 20   | 251-259     | 3    | Bearing-Ball    |
| 12   | 321-37      | 4    | Screw-HH          | 23   | 88-7200     | 10   | Washer-Flat     |
| 13   | 112-6924    | 1    | Guard-Belt, Drive | 24   | 3256-74     | 4    | Washer-Flat     |



## Clutch and Battery Assembly

| <i>Ref.</i> | <i>Part Number</i> | <i>Qty.</i> | <i>Description</i>      | <i>Ref.</i> | <i>Part Number</i> | <i>Qty.</i> | <i>Description</i>      |
|-------------|--------------------|-------------|-------------------------|-------------|--------------------|-------------|-------------------------|
| 1           | 115-5124-03        | 1           | Drive Shaft ASM         | 9           | 115-5119           | 4           | Spacer-Coupling, Rubber |
| 2           | 104-8300           | 8           | Nut-Flange, NI          | 10          | 322-32             | 4           | Screw-HH                |
| 3           | 322-39             | 4           | Screw-HH                | 11          | 114-2122           | 2           | Hub-Engine              |
| 4           | 115-5118           | 8           | Washer                  | 13          | 93-7595            | 1           | Battery Box ASM         |
| 5           | 115-5129           | 4           | Coupling-Rubber         | 14          | 3339-175           | 1           | Strapping-Web, 48 Inch  |
| 6           | 323-7              | 2           | Screw-HH                | 18          | 108-1260           | 1           | Battery-Dry             |
| 7           | 114-2120           | 2           | Washer                  | 28          | 3257-5             | 2           | Key-Woodruff            |
| 8           | 115-5120           | 4           | Spacer-Coupling, Rubber | 29          | 104-7102           | 2           | Pad-Battery             |

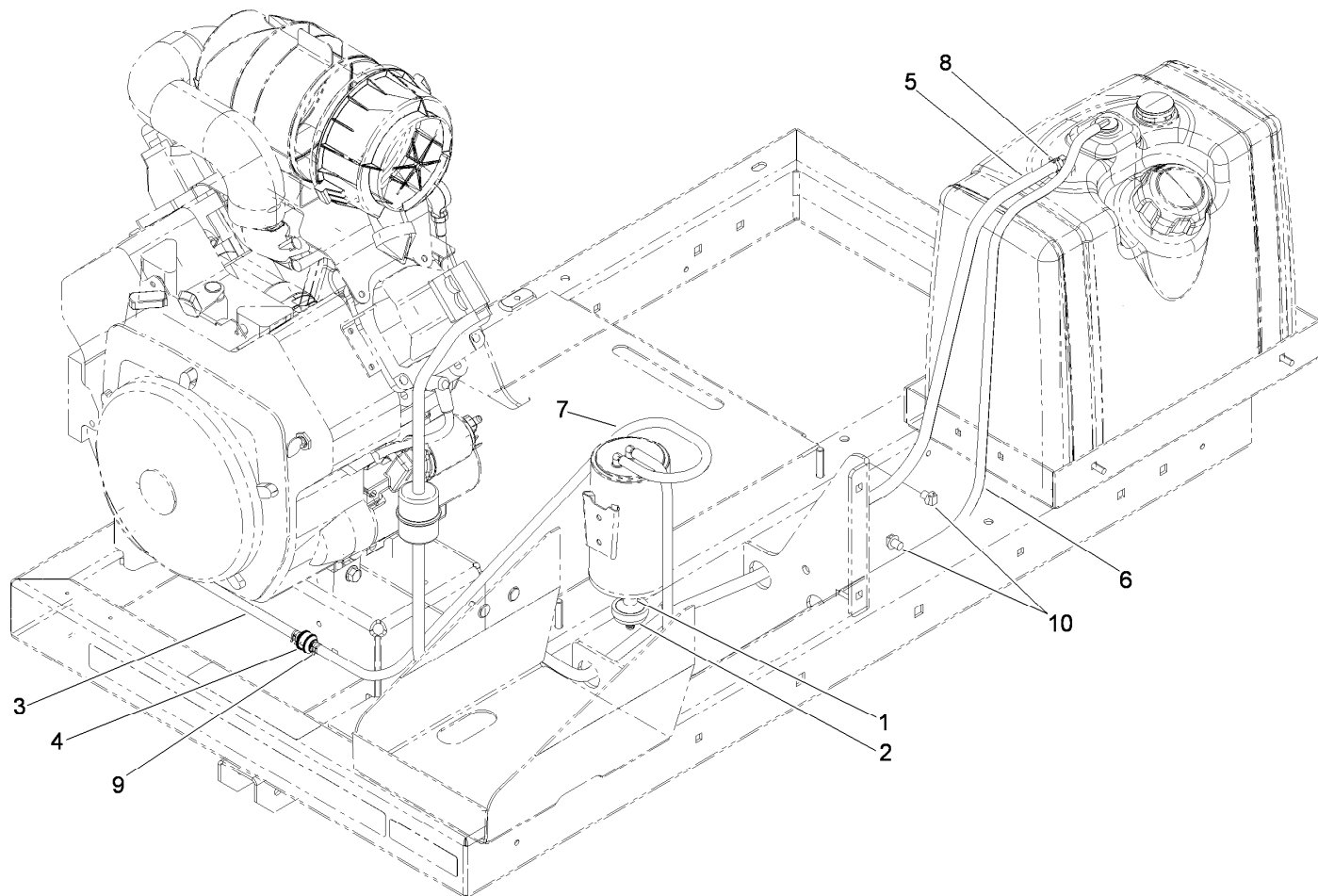


## Engine and Muffler Assembly

| <i>Ref.</i> | <i>Part Number</i> | <i>Qty.</i> | <i>Description</i>           |
|-------------|--------------------|-------------|------------------------------|
| 1           | 112-6862           | 1           | Muffler                      |
| 2           | 115-2251           | 1           | Canister-Carbon              |
| 4           |                    | 1           | Engine-Kohler, Ch740-3122 ●■ |
| 5           | 104-8301           | 4           | Nut-Flange, NI               |
| 6           | 66-9302            | 4           | Screw-HHF, Whiz              |
| 7           | 112-6891-03        | 1           | Bracket-Muffler              |
| 8           | 33103-012          | 2           | Screw-HHF                    |
| 11          | 110-1718           | 2           | Screw-HHF                    |
| 13          | 33104-020          | 1           | Screw-HHF                    |
| 14          | 3255-8             | 1           | Washer-Lock                  |

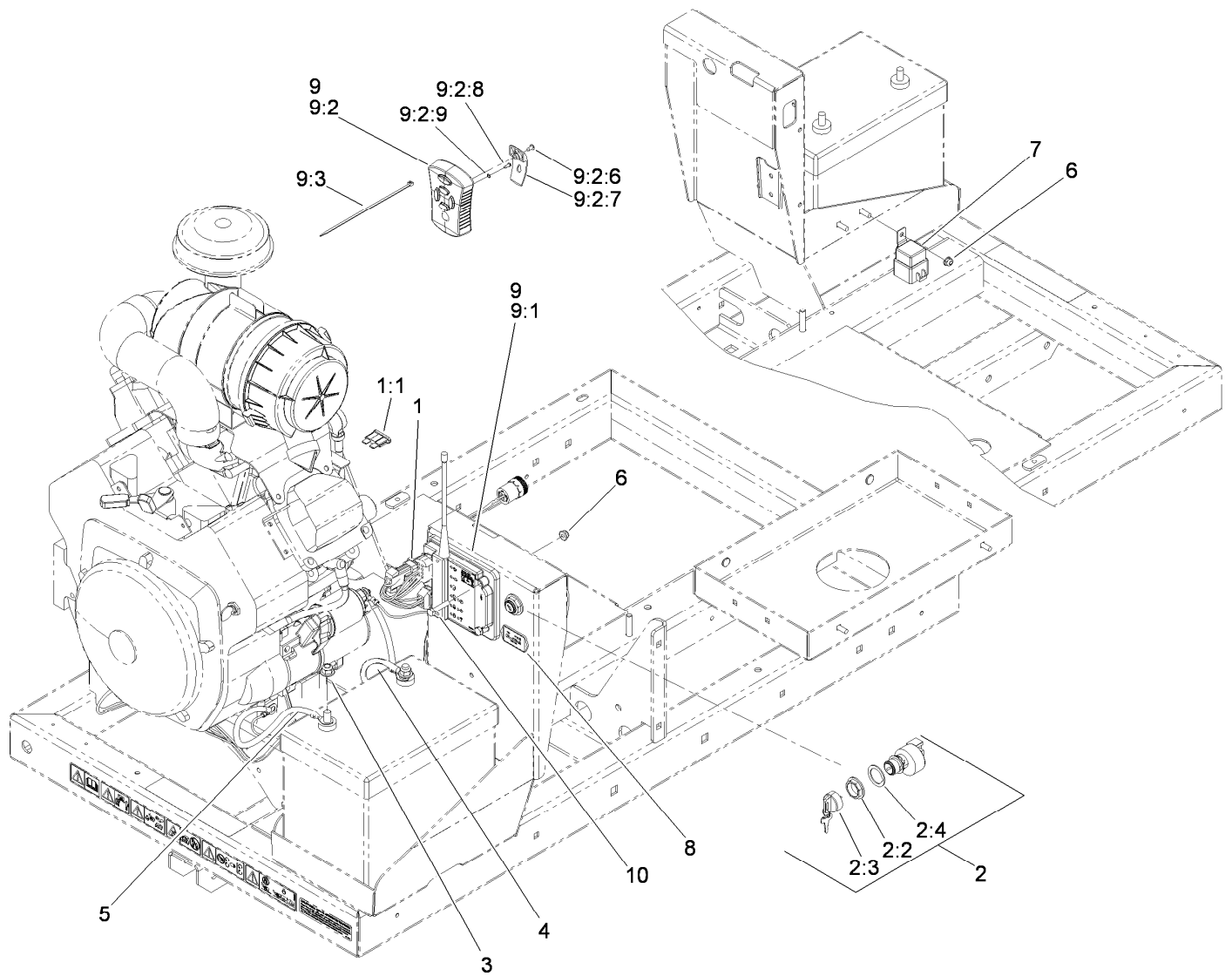
● Not serviced separately

■ Obtain parts from [www.kohlerplus.com](http://www.kohlerplus.com)



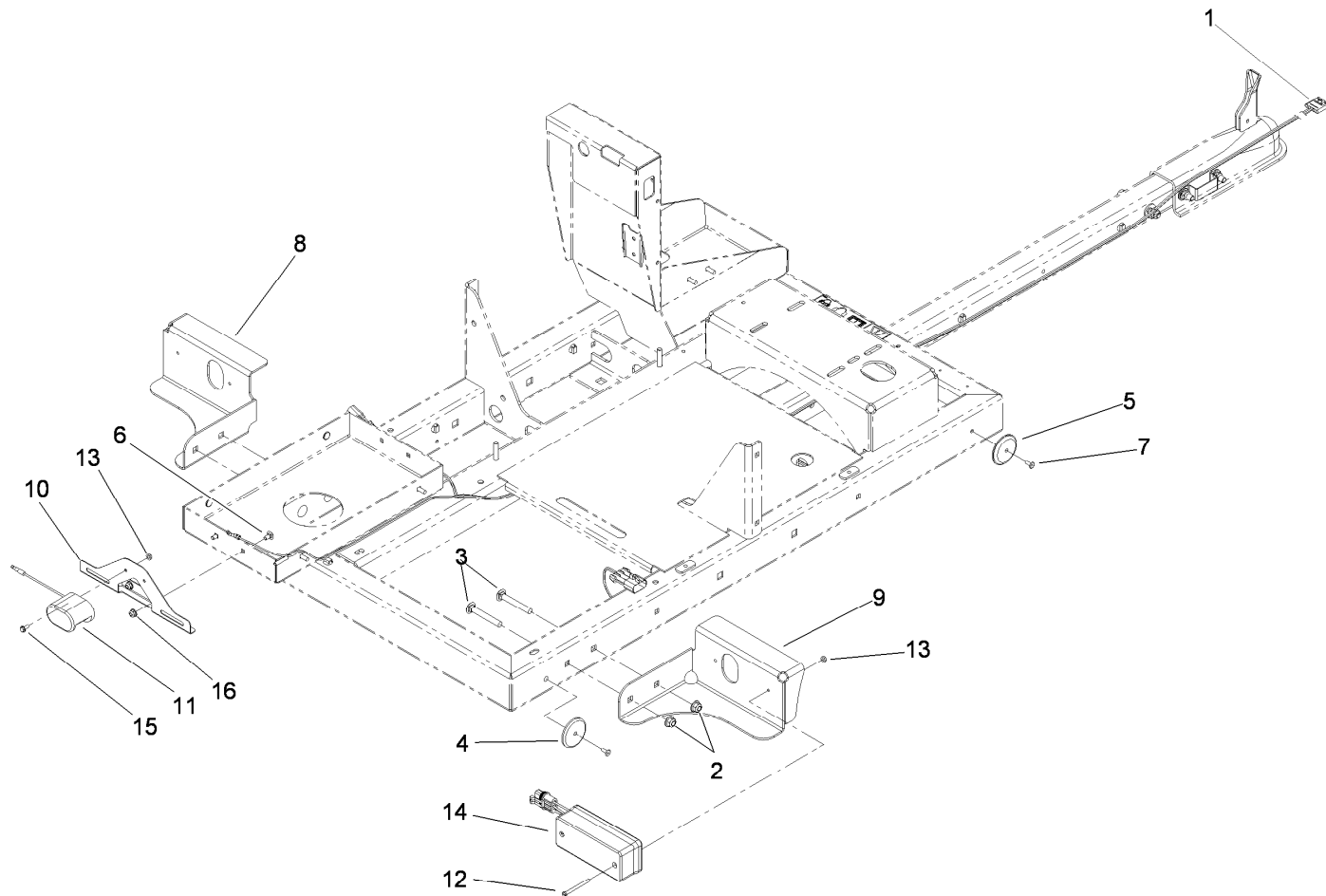
## Fuel System Assembly

| <i>Ref.</i> | <i>Part Number</i> | <i>Qty.</i> | <i>Description</i>  |
|-------------|--------------------|-------------|---------------------|
| 1           | 106-5317           | 1           | Hose-Fuel           |
| 2           | 115-7854           | 1           | Filter-Fuel, Inline |
| 3           | 119-6074           | 1           | Hose-Fuel           |
| 4           | 115-7868           | 1           | Valve-Check, Vacuum |
| 5           | 107-9298           | 1           | Hose-Fuel           |
| 6           | 119-6073           | 1           | Hose-Fuel           |
| 7           | 110-3254           | 1           | Hose-Fuel           |
| 8           | 2412-98            | 2           | Clamp               |
| 9           | 2412-80            | 2           | Clamp-Line, Fuel    |
| 10          | 32180-030          | 6           | Clip-Harness        |



## Electrical Assembly

| <i>Ref.</i> | <i>Part Number</i> | <i>Qty.</i> | <i>Description</i>      | <i>Ref.</i> | <i>Part Number</i> | <i>Qty.</i> | <i>Description</i>          |
|-------------|--------------------|-------------|-------------------------|-------------|--------------------|-------------|-----------------------------|
| 1           | 119-5760           | 1           | Harness-Wire, Blower    | 8           | 1-513374           | 1           | Meter-Hour                  |
| 1:1         | 109355             | 1           | Fuse-15 Amp             | 9           | 119-3014           | 1           | Proforce-Remote/Transmitter |
| 2           | 106-5269           | 1           | Ignition Switch ASM     | 9:1         | 114-3358           | 1           | Controller ASM              |
| 2:2         | 108-8660           | 1           | Nut-Mounting            | 9:2         | 112-6930           | 1           | Transmitter-Remote          |
| 2:3         | 106-5270           | 1           | Key Set-Ignition        | 9:2:6       | 112-6939           | 6           | Screw                       |
| 2:4         | 108-8659           | 1           | Washer-Backup           | 9:2:7       | 102-5934           | 1           | Clip-Belt, Remote           |
| 3           | 104-8301           | 2           | Nut-Flange, NI          | 9:2:8       | 112-6941           | 1           | Screw-PPH                   |
| 4           | 114-9714           | 1           | Cable-Battery, Positive | 9:2:9       | 115-5143           | 6           | O-Ring                      |
| 5           | 114-9715           | 1           | Cable-Battery, Negative | 9:3         | 3290-378           | 1           | Tie-Cable                   |
| 6           | 104-7201           | 4           | Nut-HF                  | 10          | 321-8              | 3           | Screw-HH                    |
| 7           | 99-7430            | 1           | Relay                   |             |                    |             |                             |



## Tail Light and Reflector Assembly

| <i>Ref.</i> | <i>Part Number</i> | <i>Qty.</i> | <i>Description</i>       | <i>Ref.</i> | <i>Part Number</i> | <i>Qty.</i> | <i>Description</i>       |
|-------------|--------------------|-------------|--------------------------|-------------|--------------------|-------------|--------------------------|
| 1           | 119-1792           | 1           | Harness-Wire             | 9           | 119-3004-03        | 1           | Bracket-Light Mount (RH) |
| 2           | 104-8301           | 4           | Nut-Flange, NI           | 10          | 119-6072-03        | 1           | Bracket-License Plate    |
| 3           | 3231-9             | 4           | Screw-CARR               | 11          | 119-3041           | 1           | License-Lamp             |
| 4           | 74-2390            | 2           | Reflector-Red            | 12          | 32105-14           | 4           | Screw-SHH                |
| 5           | 104-6962           | 2           | Reflector-Amber          | 13          | 3296-12            | 6           | Nut-Lock, NI             |
| 6           | 3229-10            | 2           | Screw-CARR               | 14          | 119-3046           | 2           | Tail-Light               |
| 7           | 114439             | 4           | Rivet-Pop                | 15          | 112-6349           | 2           | Screw-HWH                |
| 8           | 119-3003-03        | 1           | Bracket-Light Mount (LH) | 16          | 104-7201           | 2           | Nut-HF                   |

**Notes:**



**Count on it.**