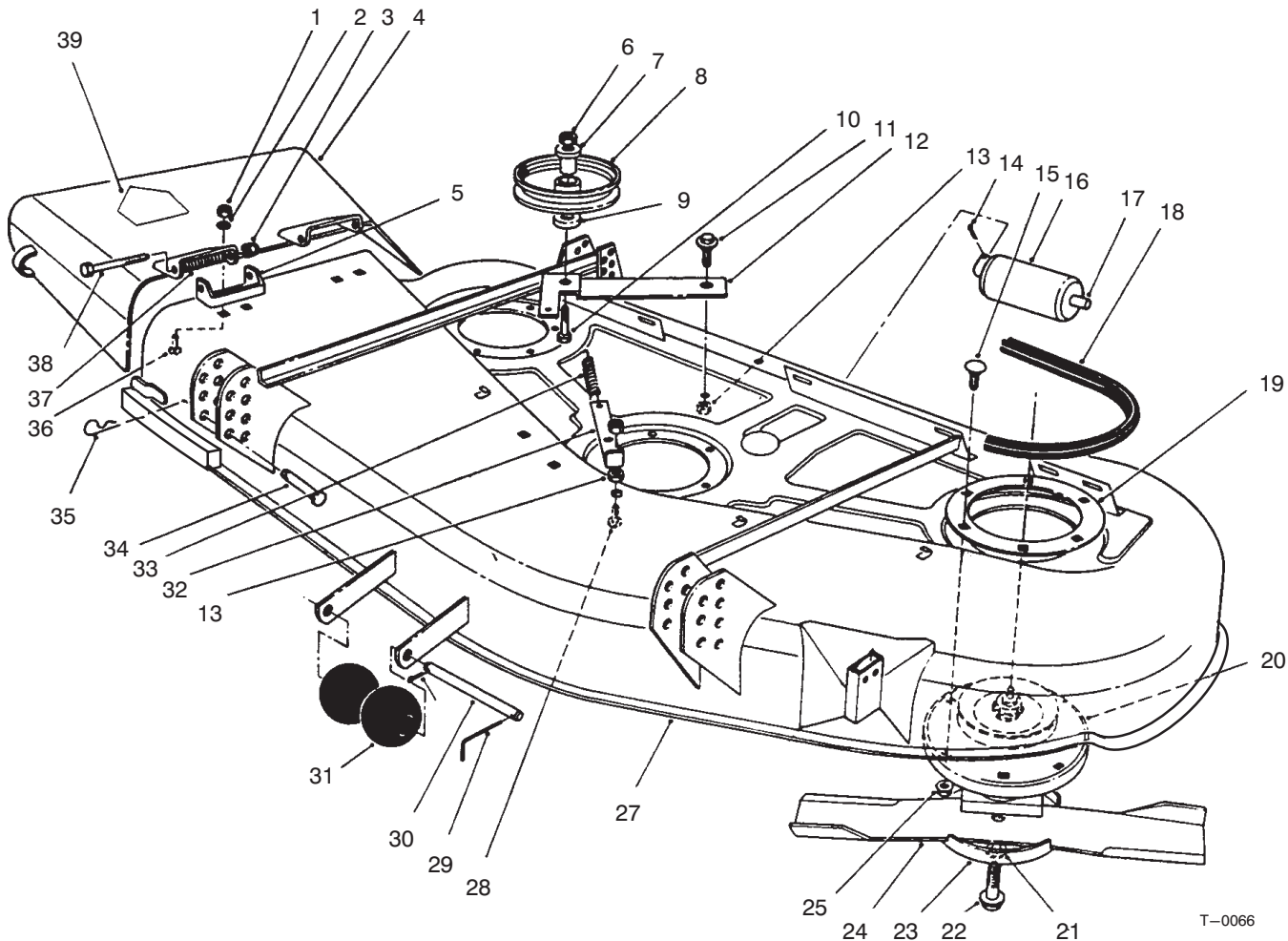




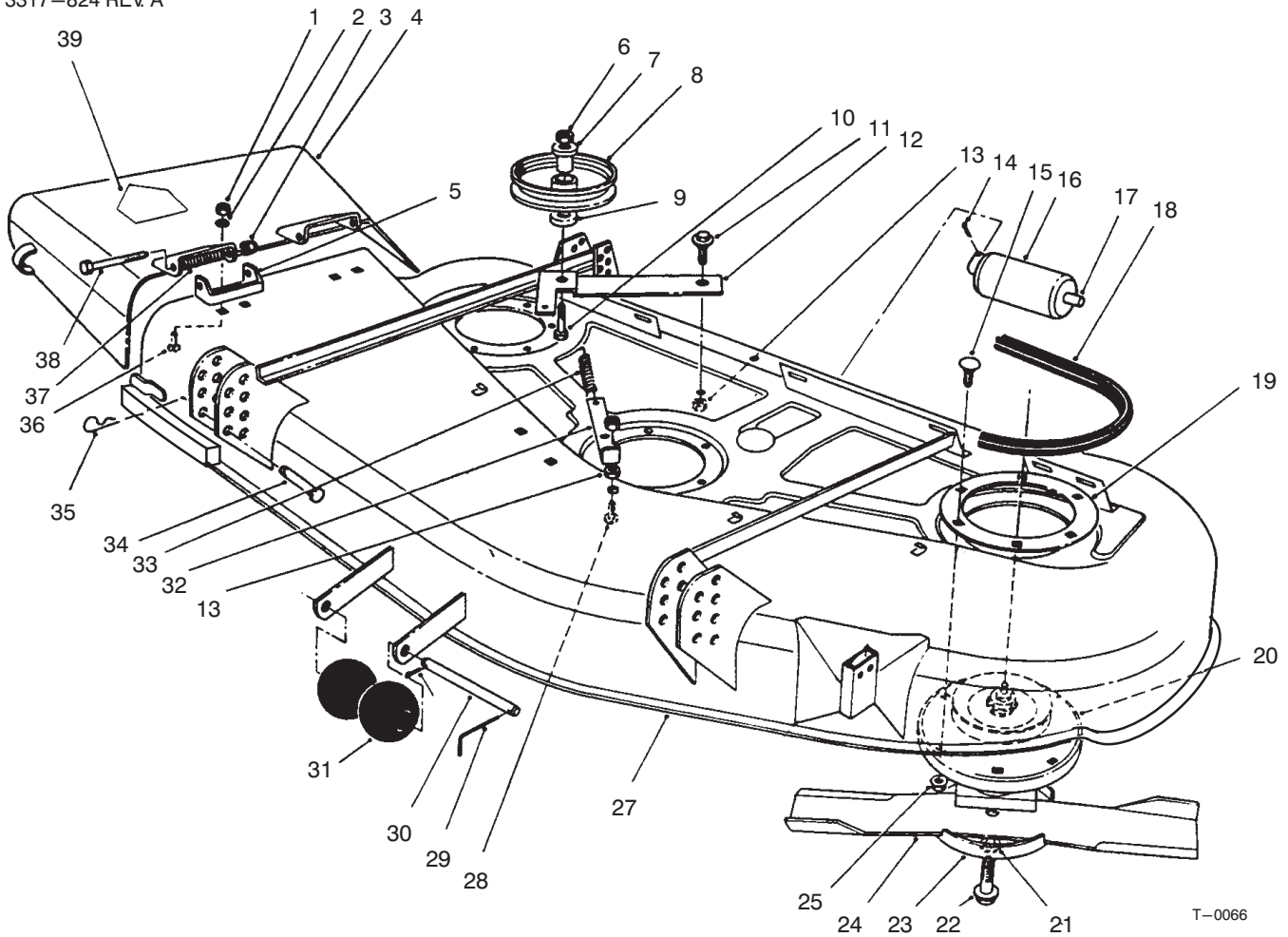
MODEL NO. 30753-690001 & UP	PARTS CATALOG
52" Side Discharge Cutting Unit Groundsmaster 120	



DECK & SPINDLE ASSEMBLY

Ref. No.	Part No.	Description	No. Used
1	3217-6	Nut - Lock	4
2	3253-4	Washer - Lock	4
3	3296-5	Nut - Lock	2
4	13-3949	Deflector - Grass (Incl. Ref.# 39)	1
5	29-5590	Bracket - Deflector Pivot	2
6	3296-5	Nut - Lock	1
7	65-5950	Bushing	1
8	65-5940	Pulley - Idler	1
9	7-0081	Washer - Special	1
10	3211-8	Screw-Hex. Hd.	1
11	19-1470	Bolt - Shoulder	1
12	56-5520	Lever - Deck	1
13	3296-29	Nut - Lock	3
14	3272-11	Pin - Cotter	3
15	3231-22	Screw - Carriage	18
16	36-1740	Roller - Deck	2

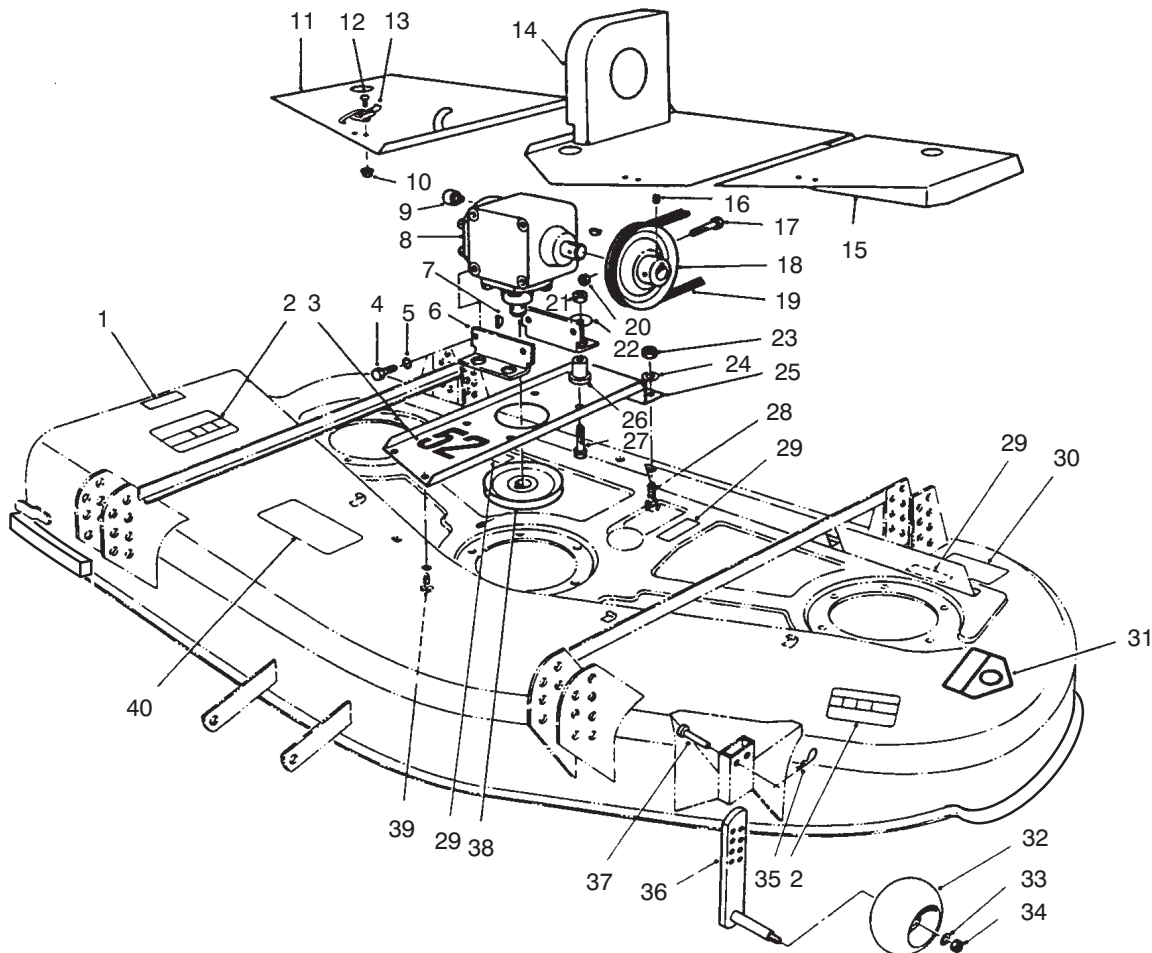
Ref. No.	Part No.	Description	No. Used
17	40-0340	Shaft - Rear Roller	2
18	56-5560	Belt - Deck	1
19	27-7680	Ring - Deck Support	3
20	27-0871	Spindle Assembly	3
21	3253-27	Washer - Lock	3
22	44-2200	Screw - Blade	3
23	72-9360	Cup - Anti-Scalp	3
24	27-0990	Blade	3
25	32128-21	Nut - Flange Lock	18
27	94-6025	Housing (Incl. Ref. #1-2, 29-31, & 40 pg. 2)	1
28	3230-22	Bolt - Carriage	1
29	57-0690	Pin - Special	1
30	40-6400	Shaft - Roller	1
31	29-4820	Roller	2
32	56-5540	Anchor - Deck Spring	1



DECK & SPINDLE ASSEMBLY (Continued)

Ref. No.	Part No.	Description	No. Used
33	54-1160	Spring - Extension	1
34	283-55	Pin - Clevis	4
35	3290-355	Pin - Cotter	4
36	3230-18	Bolt - Carriage	4

Ref. No.	Part No.	Description	No. Used
37	40-6230	Spring	2
38	3211-15	Screw - Hex. Hd.	2
39	54-9220	Decal - Danger	1

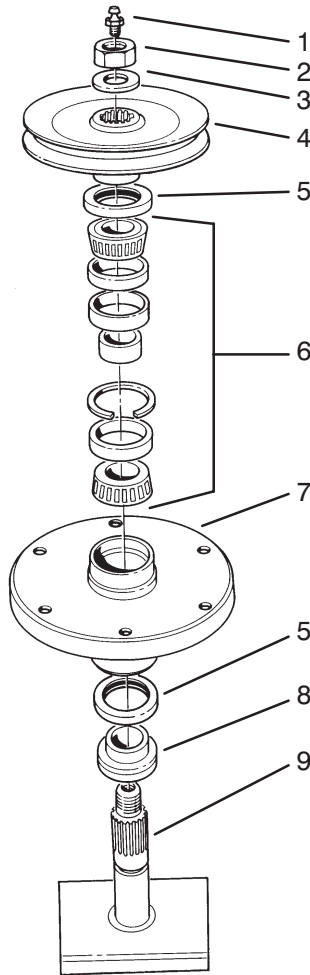


T-0088

DECK, COVERS, GEAR BOX, GAGE & WHEEL

Ref. No.	Part No.	Description	No. Used
1	66-6380	Decal - Deflector Missing	1
2	66-1340	Decal - Danger	2
3	51-3960	Decal - 52"	1
4	323-4	Screw	4
5	3253-21	Washer - Lock	4
6	63-9810	Bracket - Mounting	2
7	3257-14	Key - Woodruff	2
8	53-4600	Gear Box	1
9	302-34	Vent	1
10	32128-17	Nut - Flange Lock	6
11	56-5610	Cover - Deck L.H.	1
12	3290-321	Screw	6
13	249-21	Latch	3
14	56-5590	Cover - Center	1
15	56-5580	Cover - Deck L.H.	1
16	3241-1	Screw - Set	2
17	321-18	Screw	2
18	62-5940	Pulley - Gear box	1
19	56-5570	Belt - Deck Drive	1
20	3296-16	Nut - Lock	2

Ref. No.	Part No.	Description	No. Used
21	32153-2	Nut - Lock	4
22	63-8410	Washer	4
23	3296-29	Nut - Lock	4
24	3256-3	Washer	4
25	63-9820	Base - Gear Box Mount	1
26	63-9750	I.S.O. Mount - Gear box	4
27	323-8	Screw	4
28	322-4	Screw	2
29	67-5360	Decal - Shield Missing	3
30	68-8340	Decal - Blade Torque	1
31	43-8480	Decal - Danger	1
32	68-2730	Gage - Wheel	1
33	3256-24	Washer - Flat	1
34	3296-39	Nut -Lock	1
35	3290-467	Pin - Cotter	1
36	68-2350	Plate - Gage Wheel	1
37	283-2	Pin Cotter	1
38	62-5410	Pulley	1
39	3230-10	Bolt - Carriage	2
40	68-7260	Decal - Rear Weight	1

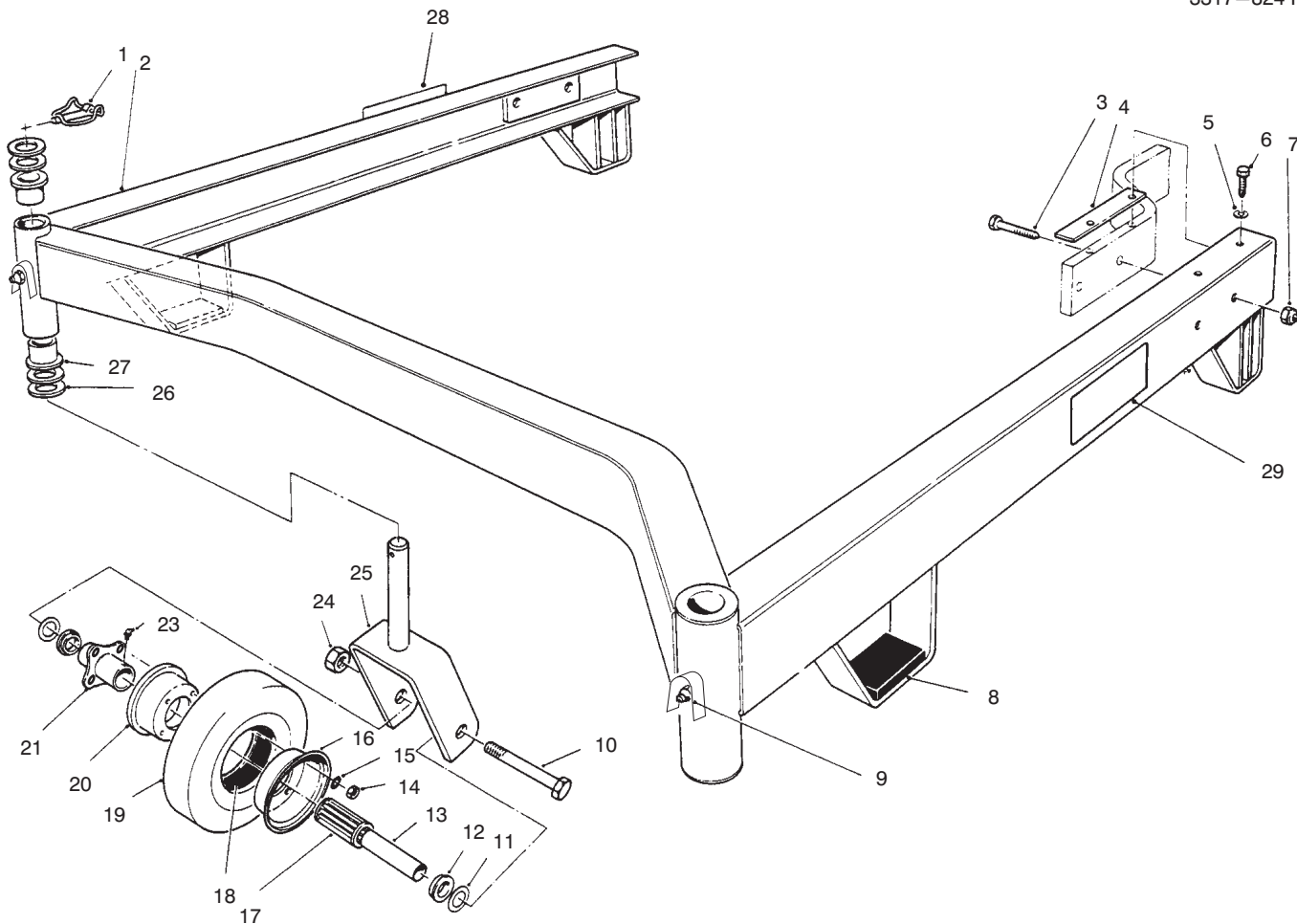


T-0111

DRIVE SPINDLE ASSEMBLY NO. 27-0871

Ref. No.	Part No.	Description	No. Used
1	302-2	Fitting - Grease	1
2	32146-20	Nut	1
3	7-4150	Washer	1
4	56-2510	Pulley & Hub Assembly	1
5	253-139	Seal - Wave	2

Ref. No.	Part No.	Description	No. Used
6	46-8530	Bearing Assembly	1
7	61-4160	Housing - Spindle	1
8	27-0950	Spacer	1
*	27-5970	Spacer - Matched Set	1
9	27-0920	Shaft - Spindle	1



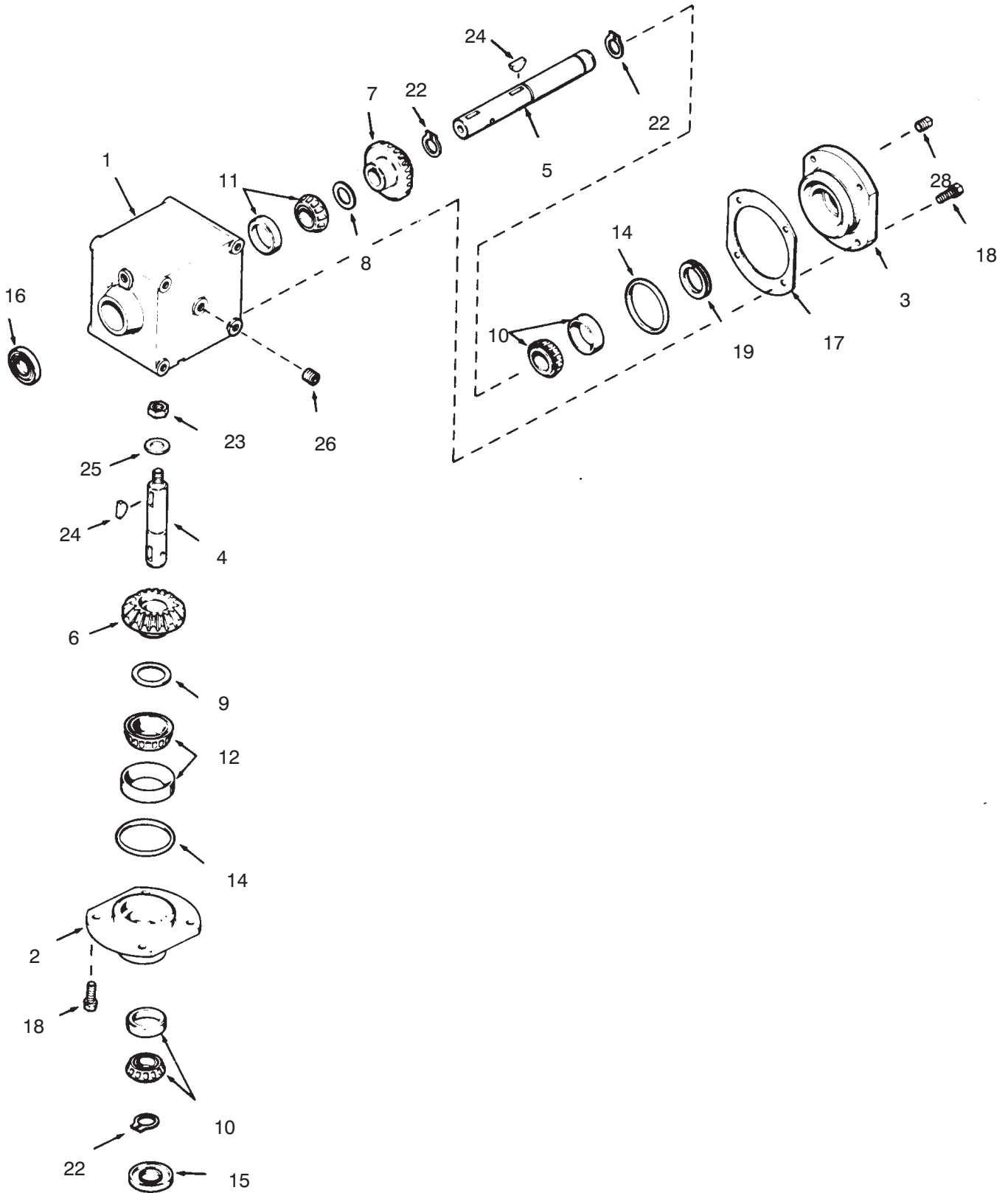
T-0087

CARRIER FRAME

Ref. No.	Part No.	Description	No. Used
1	3290-384	Pin - Lynch	2
2	94-4165	Suspension Assembly - 52" (Incl. Ref. #9, & 27)	1
3	323-9	Screw	4
4	62-6980	Shim - Carrier	2
5	3256-24	Washer - flat	4
6	3234-25	Screw	4
7	32153-2	Nut	4
8	74-0340	Cushion - Rubber	2
9	302-5	Fitting - Grease	2
10	325-19	Screw	2
11	3256-6	Spacer - Wheel	4
12	62-5580	Bushing	4
13	68-8980	Bushing - Spanner	2
14	3219-2	Nut	8
15	3253-4	Washer	8

Ref. No.	Part No.	Description	No. Used
16	68-8930	Wheel Half - Male	2
17	62-5570	Bearing - Roller	2
18	68-8950	Tube w/Valve	2
19	68-8960	Tire	2
20	68-8920	Wheel Half - Female	2
21	68-8940	Hub - Centered	2
23	302-11	Fitting - Grease	2
24	32153-5	Nut	2
25	68-8900	Fork - Caster	2
26	3-6781	Washer - Thrust	8
27	94-1271	Bushing	4
28	74-0940	Decal - Height of Cut R.H.	1
29	68-8360	Decal - Height of Cut L.H.	1
*	68-8970	Caster Wheel Assembly (Incl. Ref. #11-21)	2

GEARBOX ASSEMBLY NO. 1100-010



GEARBOX ASSEMBLY NO. 1100-010

Ref. No.	Part No.	Description	No. Used	Ref. No.	Part No.	Description	No. Used
1	770076	Housing	1	12	780134	Bearing & Cup Assembly	
2	786104A	Cap – Retainer	1			This is a factory sized assembly and may	
3	786106	Cap – Retainer	1			or may not	
4	776224	Shaft – Input	1			include shim Ref. #9.	
5	776223	Shaft – Output	1			If shim Ref. #9 is supplied,	
6	778167	Gear – Bevel 25T	1			it must be used in this	
7	778171	Gear – Bevel 26T	1			location. All old shims must	
8	780131	Shim (1.5" OD x 1.016" ID x .002")	A/R			be discarded.)	1
9	780138	Shim (2" OD x 1.531" ID x .002")	A/R	14	788063	"O"Ring	1
10	780132	Bearing & Cup Assembly (This assembly may have a shim included. The shim is not required at this location)	1	15	788064	Seal – Oil	1
11	780132	Bearing & Cup Assembly This is a factory sized assembly and may or may not include shim Ref. #8. If shim Ref. #8 is supplied, it must be used in this location. All old shims must be discarded.)	1	16	788065	Seal – Oil	1
				17	780136	Shim – Cap Retainer	1
				18	792037	Screw–Hex. Hd.	1
				19	780137	Ring – Load	1
				22	792113	Ring – Retaining	1
				23	792110	Nut – Jam	1
				24	792114	Key – Woodruff	1
				25	792115	Washer – Flat	1
				26	792116	Plug – Pipe	1
				28	28534	Plug – Square Hd.	1

