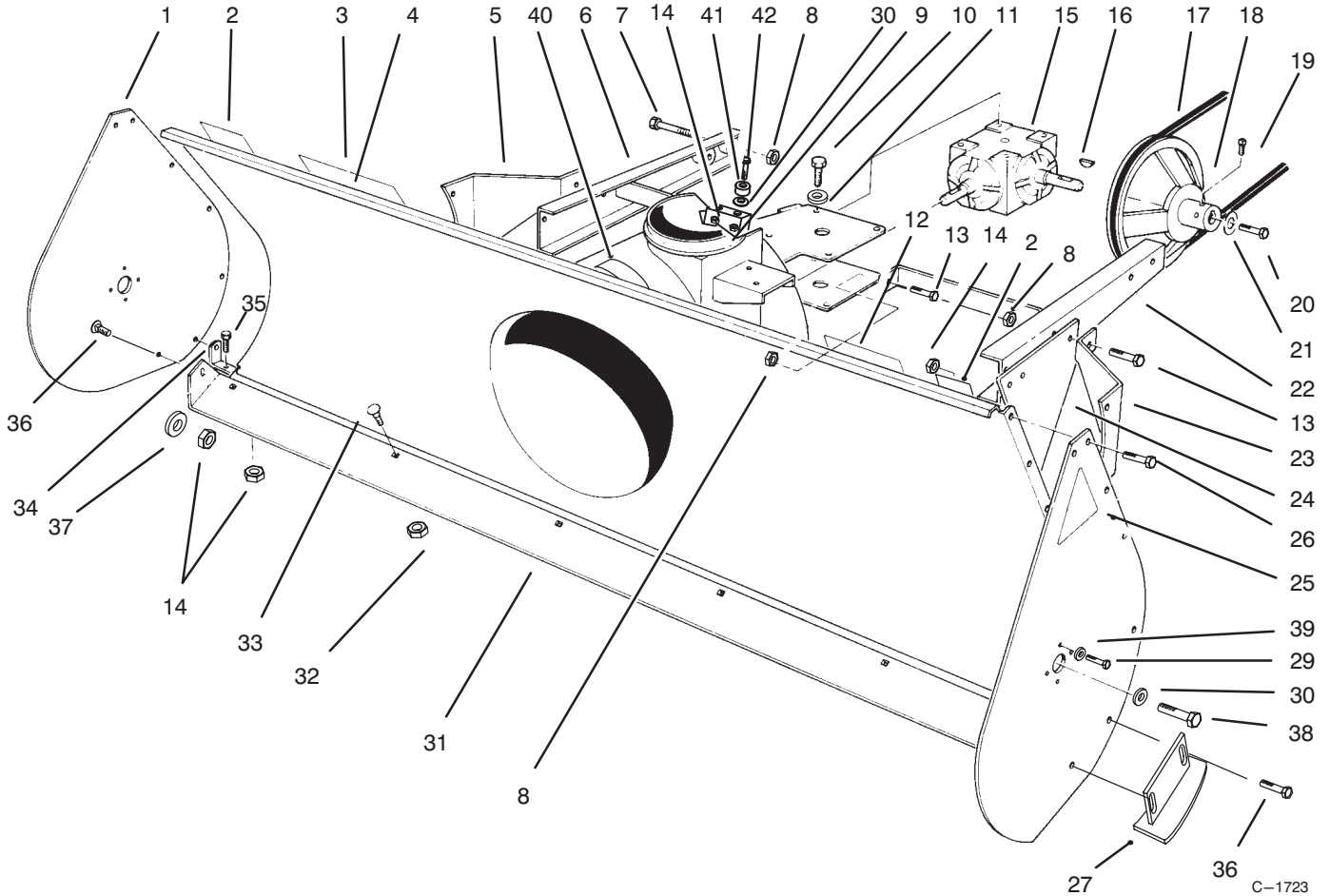




MODEL NO. 30761- 6900001 & UP

PARTS CATALOG

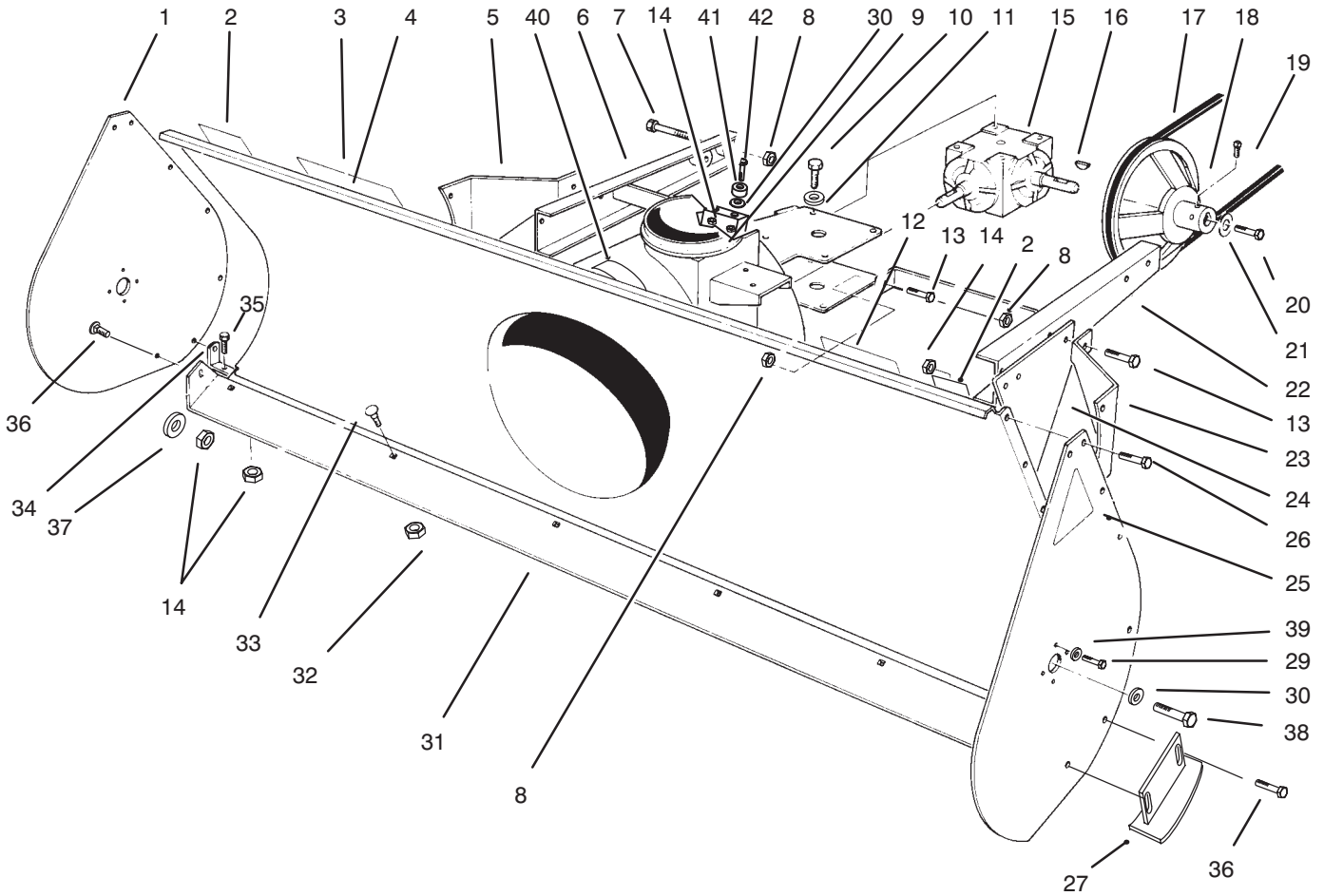
44" SNOWTHROWER
For Proline 118 & 120



HOUSING ASSEMBLY

Ref. No.	Part No.	Description	No. Used
1	57-3510	Plate - Side	2
2	63-2380	Decal - Auger Danger	2
3	92-8652	Decal - Warning	1
4	92-8660	Housing - Auger	1
5	57-3570	Plate - Extension RH	1
6	57-3710	Bar - Extension	1
7	323-12	Screw - Hex. Hd.	4
8	3296-39	Nut - Lock	16
9	25-5170	Ring - Chute	1
10	323-4	Screw - Hex. Hd.	8
11	3254-6	Washer - Lock	8
12	92-8019	Decal - Rear Weight	1

Ref. No.	Part No.	Description	No. Used
13	323-6	Screw - Hex. Hd.	6
14	3296-29	Nut - Lock	20
15	61-8650	Gear Box	1
16	3257-5	Key - Woodruff	2
17	57-3650	Belt	1
18	57-3640	Pulley - Drive	1
19	3242-4	Screw - Set	2
20	30-1070	Screw - Hex. Hd.	1
21	3256-57	Washer	1
22	57-3520	Bar - Extension	1
23	57-3560	Plate - Extension LH	1
24	57-3550	Plate - Skid Mount	2

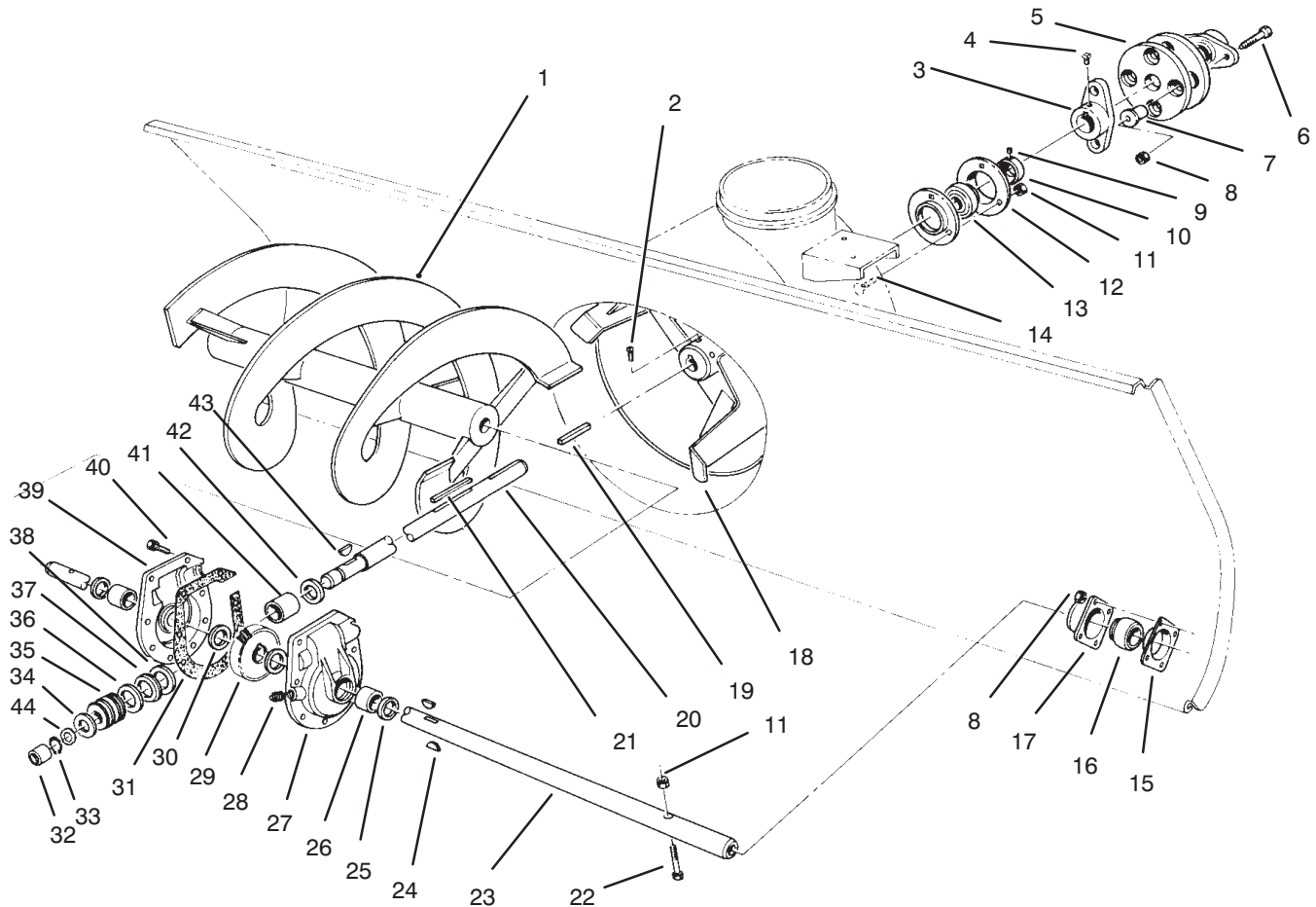


C-1723

HOUSING ASSEMBLY

Ref. No.	Part No.	Description	No. Used
25	62-5550	Decal - Auger Sideplate	2
26	322-5	Screw - Hex. Hd.	16
27	78-0800	Skid	2
29	321-4	Screw - Hex. Hd.	8
30	2844	Washer - Flat	4
31	79-6670	Blade - Scraper	1
32	3296-16	Nut - Lock	6
33	3229-25	Bolt - Carriage	6
34	57-9890	Bracket - Blade Support	2

Ref. No.	Part No.	Description	No. Used
35	322-3	Screw - Hex. Hd.	2
36	3230-2	Bolt - Carriage	4
37	3256-23	Washer	2
38	3235-22	Screw - Hex. Hd.	2
39	3256-22	Washer	8
40	74-2080	Decal - Proline	1
41	108889	Bumper	1
42	322-6	Screw	2

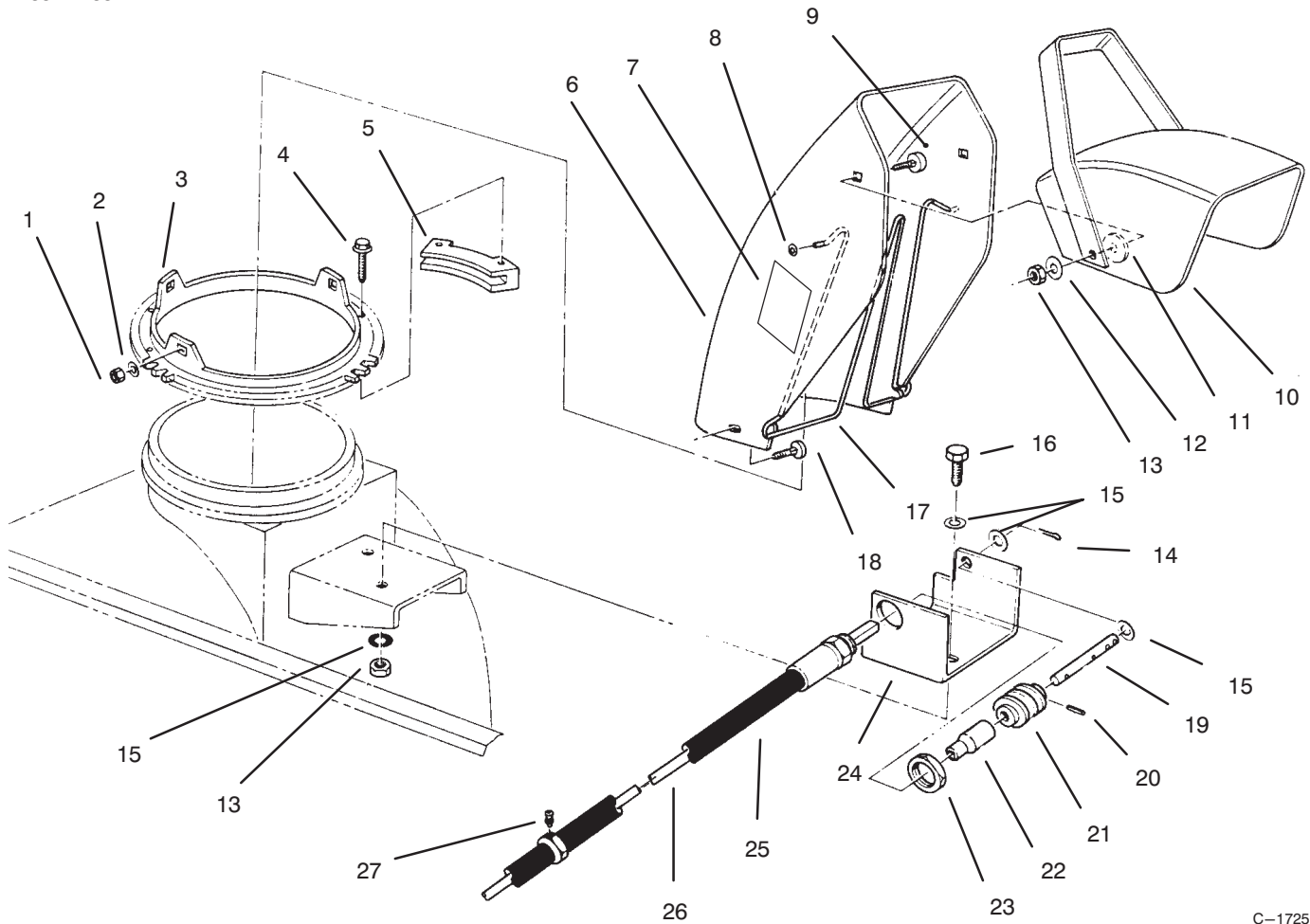


C-1724

AUGER ASSEMBLY

Ref. No.	Part No.	Description	No. Used	Ref. No.	Part No.	Description	No. Used
1	57-3300	Auger RH	1	24	3257-33	Key - Woodruff	2
*	57-3370	Auger LH	1	25	7-0045	Seal - Oil	2
2	3242-4	Screw - Set	2	26	256-237	Bushing	2
3	61-4000	Hub	2	27	37-8860	Gear Case & Bushing Assy. (Incl. Ref. #25 & 26)	1
4	3241-5	Screw - Set	4	28	281-1	Plug - Pipe	1
5	44-2230	Coupling - Rubber	2	29	5-7180	Gear - Worm	1
6	321-9	Screw - Hex. Hd.	4	30	252-71	Bearing - Thrust	2
7	27-6601	Spacer - Coupling	4	31	92-9839	Gasket	2
8	3296-16	Nut - Lock	12	32	256-32	Bushing	1
9	3245-32	Screw - Set	2	33	32120-72	Ring - Retaining	1
10	251-231	Collar - Locking	1	34	3-8664	Washer - Thrust	1
11	3296-29	Nut - Lock	2	35	5-7170	Worm	1
12	251-229	Bearing - Flange	2	36	252-77	Washer - Thrust	1
13	251-224	Bearing - Impeller	1	37	252-76	Bearing - Thrust	1
14	3230-1	Bolt - Carriage	3	38	252-78	Washer - Thrust	1
15	20-1000	Bearing - Flange Rear	2	39	37-8850	Gear Case & Bushing Assy. (Incl. Ref. #25 & 26)	1
16	20-0980	Bearing	2	40	32144-41	Screw - Thread Forming	8
17	20-0990	Bearing - Flange Front	2	41	20-3210	Bushing	1
18	19-8890	Impeller	1	42	237-87	Seal	1
19	21-5070	Key - Square	1	43	3257-23	Key - Woodruff	1
20	57-3490	Shaft - Impeller	1	44	5210	Shim	1
21	6-8590	Key - Impeller	1	*	57-3480	Gear Box Assembly	1
22	322-14	Screw - Hex. Hd.	2				
23	57-3500	Shaft - Auger	1				

*Not Illustrated

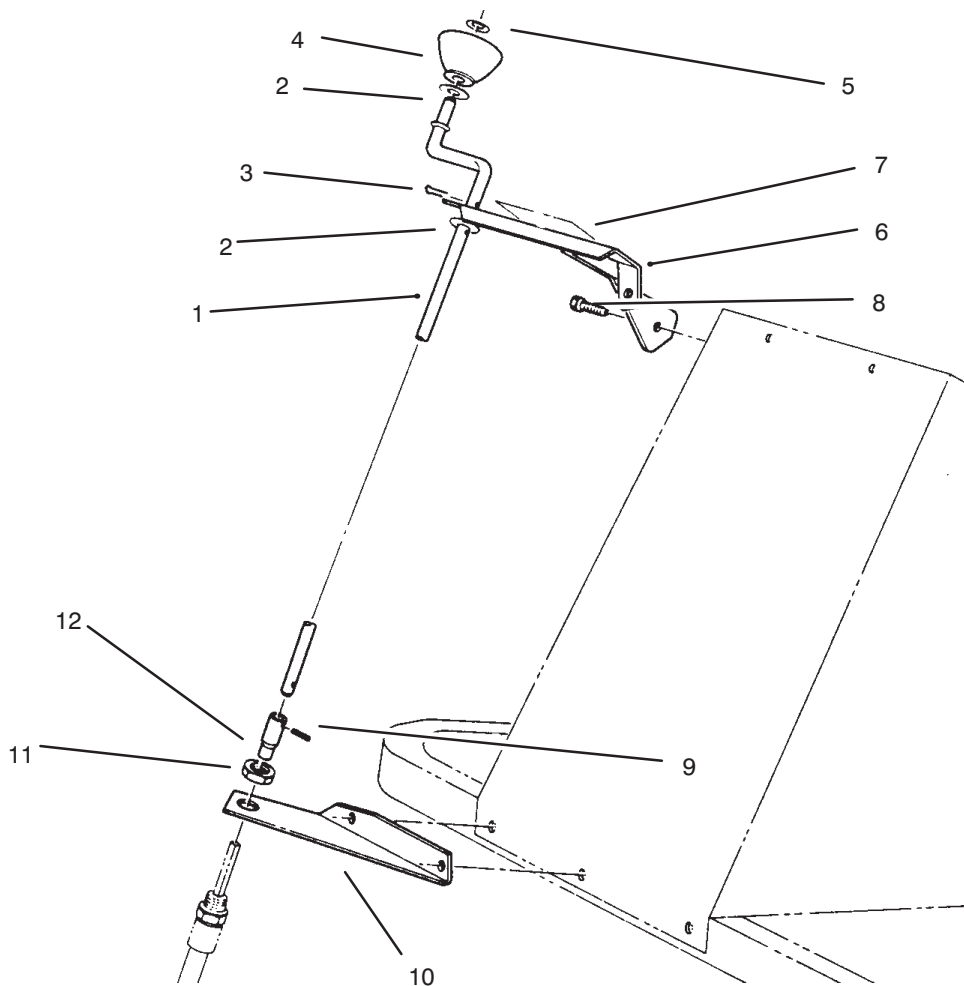


C-1725

CHUTE ASSEMBLY

Ref. No.	Part No.	Description	No. Used
1	3296-29	Nut - Lock	3
2	3256-23	Washer	3
3	25-5290	Ring - Chute Swivel	1
4	27-0220	Screw - Special	6
5	25-5450	Retainer - Chute	3
6	92-6335	Chute - Upper (Incl. Ref. # 7)	1
7	67-3740	Decal - Discharge Danger	2
8	3290-326	Nut - Push	2
9	3231-2	Bolt - Carriage	2
10	11-9349	Deflector	1
11	20-4320	Washer - Rubber	2
12	3290-340	Washer - Belleville	2
13	3296-39	Nut - Lock	4

Ref. No.	Part No.	Description	No. Used
14	3272-10	Pin - Cotter	2
15	3256-24	Washer - Flat	6
16	323-6	Screw	2
17	54-9770	Wire - Chute	1
18	3230-18	Bolt - Carriage	3
19	61-4950	Shaft - Worm Gear	1
20	32121-50	Pin - Roll	2
21	8-8600	Gear - Worm	1
22	61-4940	Coupler	1
23	353-955	Nut - Lock	1
24	61-4930	Bracket - Worm Gear	1
25	61-4870	Hose - Assembly	1
26	61-8520	Shaft - Flexible	1
27	302-5	Fitting - Grease	1

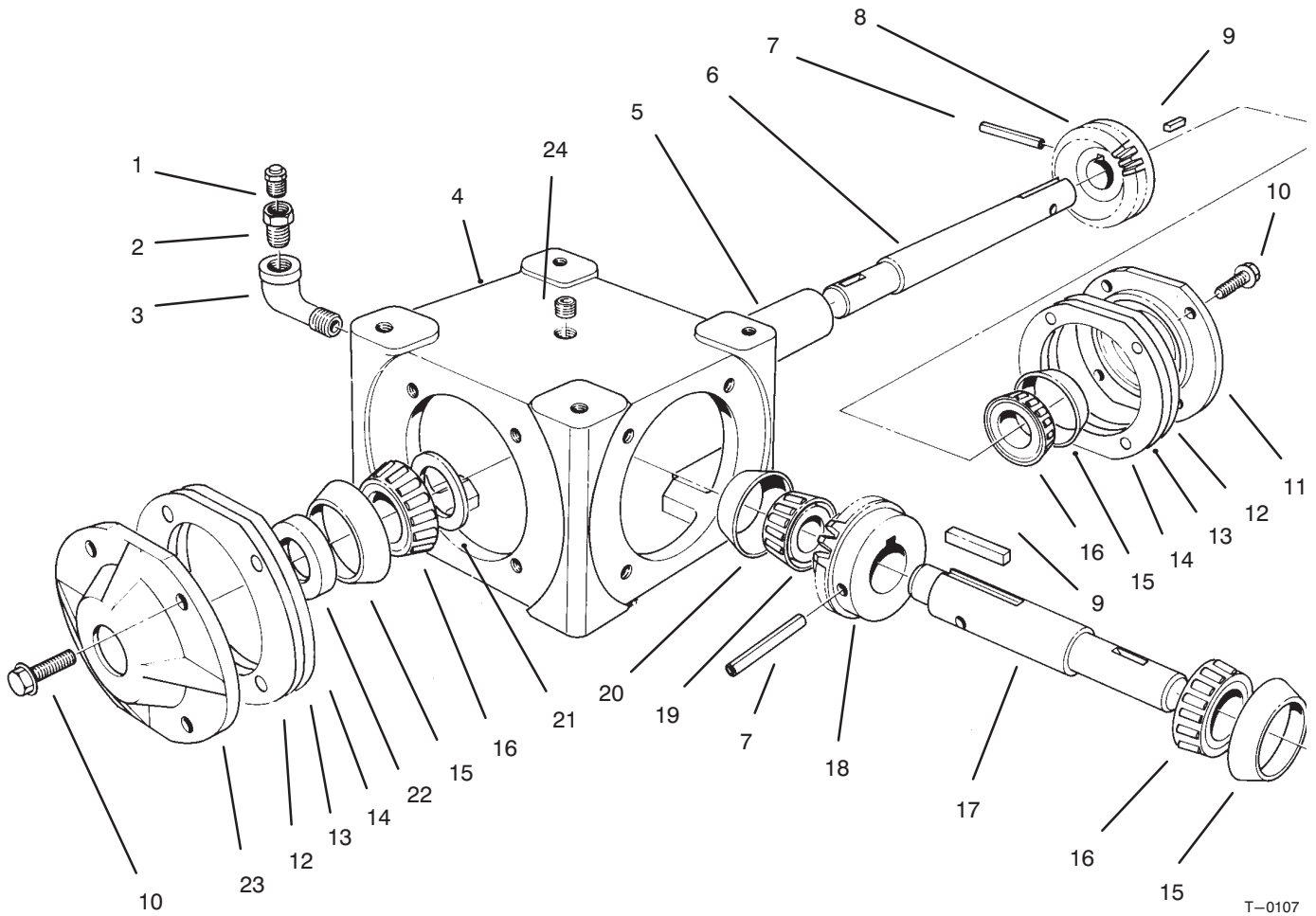


C-1726

CHUTE CONTROL ASSEMBLY

Ref. No.	Part No.	Description	No. Used
1	61-4900	Rod - Chute Control	1
2	3256-24	Washer - Flat	3
3	3272-10	Pin - Cotter	2
4	61-4890	Knob	1
5	3290-320	Cap - Push	1
6	61-4920	Bracket - Top	1

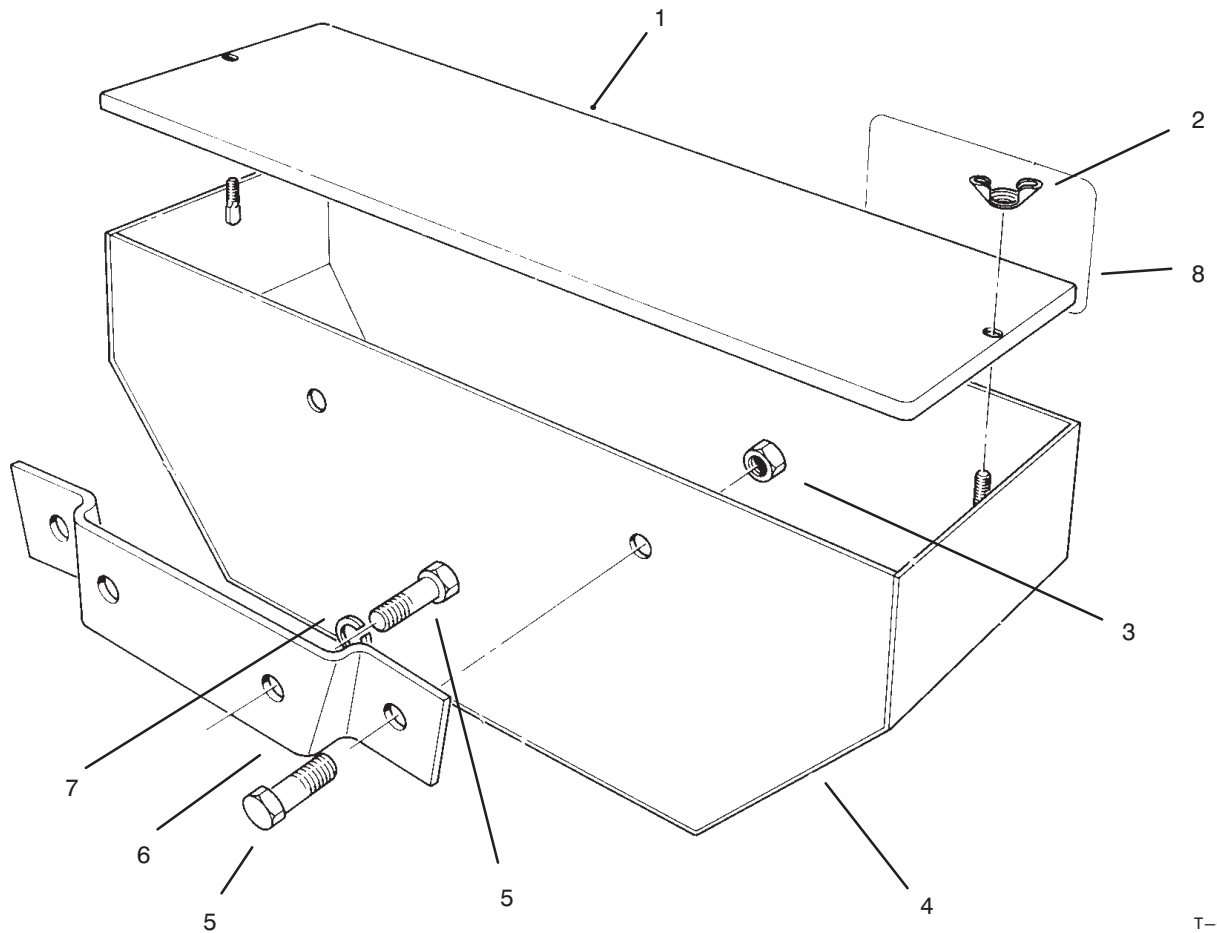
Ref. No.	Part No.	Description	No. Used
7	63-3510	Decal - Chute Rotation	1
8	321-4	Screw - Hex. Hd.	2
9	32121-50	Pin - Roll	1
10	61-4910	Bracket - Bottom	1
11	353-955	Nut - Lock	1
12	61-4940	Coupler	1



GEAR BOX ASSEMBLY

Ref. No.	Part No.	Description	No. Used
1	62-3520	Valve - Pressure Relief	1
2	62-3550	Bushing - Reducer	1
3	62-3540	Elbow - Street	1
4	62-3300	Housing	1
5	62-3480	Spacer	1
6	62-3460	Shaft	1
7	62-3510	Pin - Roll	2
8	62-3500	Gear	1
9	62-3380	Key	2
10	62-3310	Screw - Hex. Hd.	12
11	62-3320	Cap	1
12	62-3420	Gasket - .015"	A/R

Ref. No.	Part No.	Description	No. Used
13	62-3430	Gasket - .005"	A/R
14	62-3440	Gasket - .003"	A/R
15	62-3340	Cup - Bearing	3
16	62-3330	Cone - Bearing	3
17	62-3390	Shaft	1
18	62-3350	Gear	1
19	62-3370	Cone - Bearing	1
20	62-3360	Cup - Bearing	1
21	62-3470	Washer	1
22	62-3400	Seal	2
23	62-3410	Cap	2
24	62-3490	Plug - Pipe	1



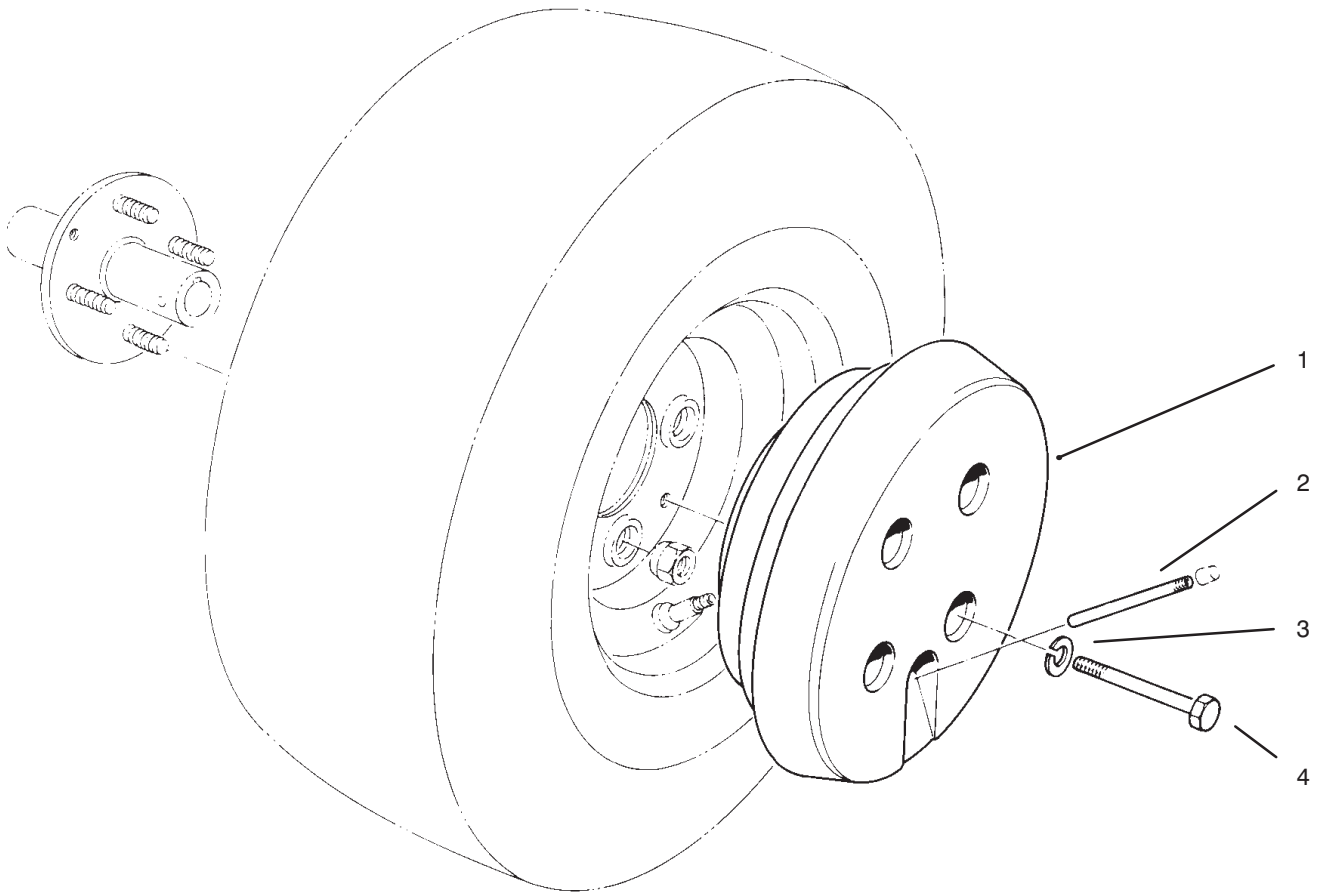
T-0108

WEIGHT BOX ASSEMBLY

Ref. No.	Part No.	Description	No. Used
1	61-4130	Cover - Weight Box	1
2	32103-2	Nut - Wing	2
3	3296-25	Nut - Lock	2
4	61-4090	Box - Weight	1
5	325-5	Screw - Hex. Hd.	4
6	61-4140	Bracket - Mount	1
7	3253-7	Washer - Lock	2

Ref. No.	Part No.	Description	No. Used
8	62-5550	Decal	1
*	40-0590	Reflector	2
*	56-6630	Tire Chain Kit (Optional)	1
*	2410-67	Plug	2
*	61-4090	Weight Box Assembly (Incl. Ref.#1-8)	1

*Not Illustrated

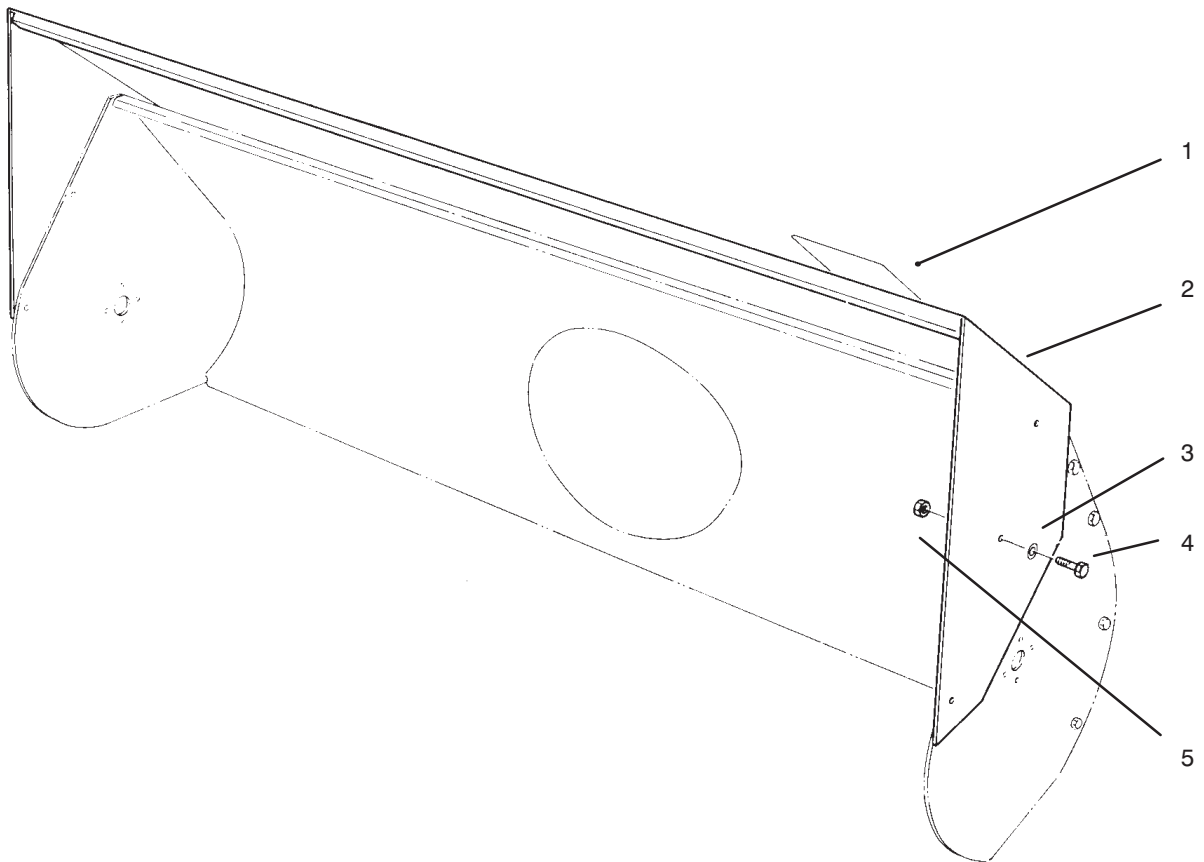


T-0109

WHEEL WEIGHT

Ref. No.	Part No.	Description	No. Used
1	56-5310	Weight - Wheel	2
2	232-45	Extension - Valve	2

Ref. No.	Part No.	Description	No. Used
3	3253-4	Washer - Lock	4
4	322-19	Screw - Hex. Hd.	4



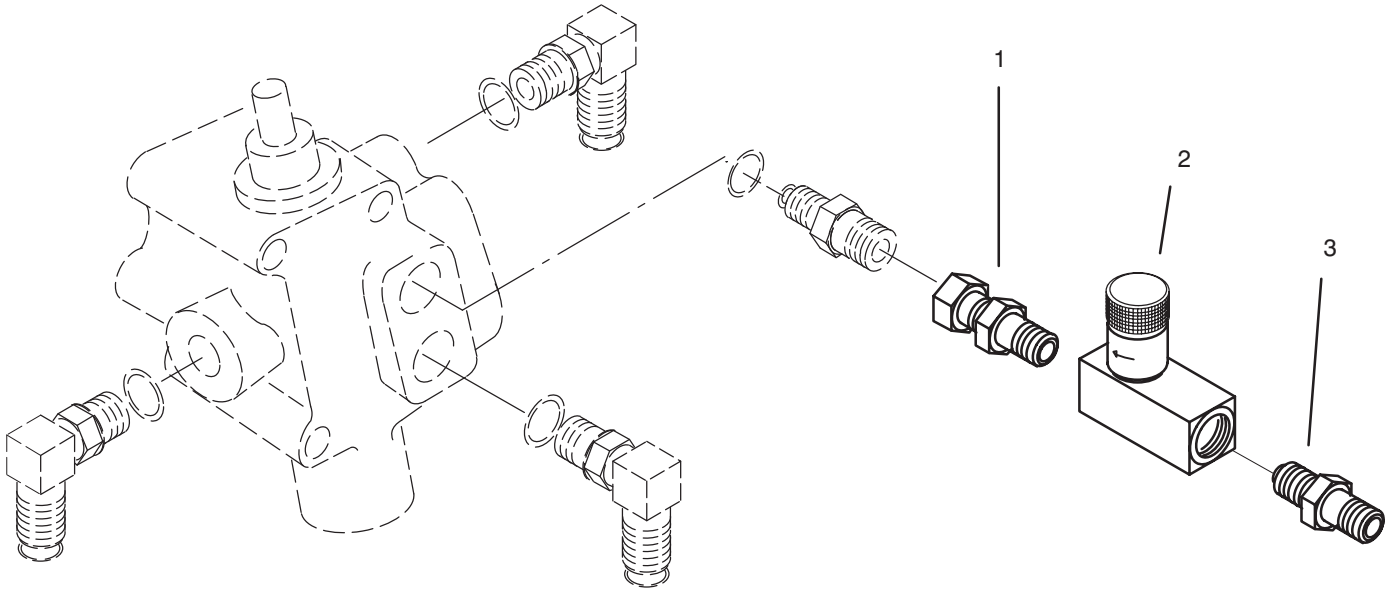
T-0110

AUGER EXTENSION KIT #62-5780

Ref. No.	Part No.	Description	No. Used
1	63-2380	Decal	1
*2		Extension - Auger	1
3	3256-2	Washer	4

Ref. No.	Part No.	Description	No. Used
4	322-4	Screw - Hex. Hd.	4
5	3296-29	Nut - Lock	4

*Order Kit # 62-5780



C-2422

CONTROL VALVE KIT # 93-7158

Ref. No.	Part No.	Description	No. Used
1	93-7157	Fitting - Hydra, Swivel	1
2	93-7155	Valve - Flow Control	1

Ref. No.	Part No.	Description	No. Used
3	93-7156	Fitting - Hydra	1

TORO PART NUMBER INDEX

3317-832

Part No.	Description	Pg. No.	Ref. No.	Qty.	Part No.	Description	Pg. No.	Ref. No.	Qty.
2844	Washer - Flat	2	30	4	62-3410	Cap	6	23	2
108889	Bumper	2	41	1	62-3420	Gasket - .015	6	12	A/R
3-8664	Washer - Thrust	3	34	1	62-3430	Gasket - .005	6	13	A/R
5-7170	Worm	3	35	1	62-3440	Gasket - .003	6	14	A/R
5-7180	Gear - Worm	3	29	1	62-3460	Shaft	6	6	1
6-8590	Key - Impeller	3	21	1	62-3470	Washer	6	21	1
7-0045	Seal - Oil	3	25	2	62-3480	Spacer	6	5	1
8-8600	Gear - Worm	4	21	1	62-3490	Plug - Pipe	6	24	1
11-9349	Deflector	4	10	1	62-3500	Gear	6	8	1
19-8890	Impeller	3	18	1	62-3510	Pin - Roll	6	7	2
20-0980	Bearing	3	16	2	62-3520	Valve - Pressure Relief	6	1	1
20-0990	Bearing - Flange Front	3	17	2	62-3540	Elbow - Street	6	3	1
20-1000	Bearing - Flange Rear	3	15	2	62-3550	Bushing - Reducer	6	2	1
20-3210	Bushing	3	41	1	62-5550	Decal	7	8	1
20-4320	Washer - Rubber	4	11	2	62-5550	Decal - Auger Sideplate	2	25	2
21-5070	Key - Square	3	19	1	62-5780	Kit - Auger Extension	9	*	1
25-5170	Ring - Chute	1	9	1	63-2380	Decal - Auger Danger	1	2	2
25-5290	Ring - Chute Swivel	4	3	1	63-3510	Decal - Chute Rotation	5	7	1
25-5450	Retainer - Chute	4	5	3	67-3740	Decal - Discharge Danger	4	7	2
27-0220	Screw - Special	4	4	6	74-2080	Decal - Proline	2	40	1
27-6601	Spacer - Coupling	3	7	4	78-0800	Skid	2	27	2
30-1070	Screw - Hex. Hd.	1	20	1	79-6670	Blade - Scraper	2	31	1
37-8850	Gear Case & Bushing Assy.	3	39	1	92-6335	Chute - Upper	4	6	1
37-8860	Gear Case & Bushing Assy.	3	27	1	92-8019	Decal - Rear Weight	1	12	1
40-0590	Reflector	7	*	2	92-8652	Decal - Warning	1	3	1
42-1770	Decal	9	1	1	92-8660	Housing - Auger	1	4	1
44-2230	Coupling - Rubber	3	5	2	232-45	Extension - Valve	8	2	2
51-0460	Gasket	3	31	2	237-87	Seal	3	42	1
54-9770	Wire - Chute	4	17	1	2410-67	Plug	7	*	2
56-5310	Weight - Wheel	8	1	2	251-224	Bearing - Impeller	3	13	1
56-6630	Tire Chain Kit	7	*	1	251-229	Bearing - Flange	3	12	2
57-3300	Auger RH	3	1	1	251-231	Collar - Locking	3	10	1
57-3370	Auger LH	3	*	1	252-71	Bearing - Thrust	3	30	2
57-3480	Gear Box Assembly	3	*	1	252-76	Bearing - Thrust	3	37	1
57-3490	Shaft - Impeller	3	20	1	252-77	Washer - Thrust	3	36	1
57-3500	Shaft - Auger	3	23	1	252-78	Washer - Thrust	3	38	1
57-3510	Plate - Side	1	1	2	256-32	Bushing	3	32	1
57-3520	Bar - Extension	1	22	1	256-237	Bushing	3	26	2
57-3550	Plate - Skid Mount	1	24	2	281-1	Plug - Pipe	3	28	1
57-3560	Plate - Extension LH	1	23	1	302-5	Fitting - Grease	4	27	1
57-3570	Plate - Extension RH	1	5	1	321-4	Screw - Hex. Hd.	5	8	2
57-3640	Pulley - Drive	1	18	1	321-4	Screw - Hex. Hd.	2	29	8
57-3650	Belt	1	17	1	321-9	Screw - Hex. Hd.	3	6	4
57-3710	Bar - Extension	1	6	1	322-3	Screw - Hex. Hd.	2	35	2
57-9890	Bracket - Blade Support	2	34	2	322-4	Screw - Hex. Hd.	9	4	4
61-4000	Hub	3	3	2	322-5	Screw - Hex. Hd.	2	26	16
61-4090	Box - Weight	7	4	1	322-6	Screw	2	42	2
61-4090	Weight Box Assembly	7	*	1	322-14	Screw - Hex. Hd.	3	22	2
61-4130	Cover - Weight Box	7	1	1	322-19	Screw - Hex. Hd.	8	4	4
61-4140	Bracket - Mount	7	6	1	323-4	Screw - Hex. Hd.	1	10	8
61-4870	Hose - Assembly	4	25	1	323-6	Screw	4	16	2
61-4890	Knob	5	4	1	323-6	Screw - Hex. Hd.	1	13	6
61-4900	Rod - Chute Control	5	1	1	323-12	Screw - Hex. Hd.	1	7	4
61-4910	Bracket - Bottom	5	10	1	325-5	Screw - Hex. Hd.	7	5	4
61-4920	Bracket - Top	5	6	1	3229-25	Bolt - Carriage	2	33	6
61-4930	Bracket - Worm Gear	4	24	1	3230-1	Bolt - Carriage	3	14	3
61-4940	Coupler	5	12	1	3230-2	Bolt - Carriage	2	36	4
61-4940	Coupler	4	22	1	3230-18	Bolt - Carriage	4	18	3
61-4950	Shaft - Worm Gear	4	19	1	3231-2	Bolt - Carriage	4	9	2
61-8520	Shaft - Flexible	4	26	1	3235-22	Screw - Hex. Hd.	2	38	2
61-8650	Gear Box	1	15	1	3241-5	Screw - Set	3	4	4
62-3300	Housing	6	4	1	3242-4	Screw - Set	3	2	2
62-3310	Screw - Hex. Hd.	6	10	12	3242-4	Screw - Set	1	19	2
62-3320	Cap	6	11	1	3245-32	Screw - Set	3	9	2
62-3330	Cone - Bearing	6	16	3	3253-4	Washer - Lock	8	3	4
62-3340	Cup - Bearing	6	15	3	3253-7	Washer - Lock	7	7	2
62-3350	Gear	6	18	1	3254-6	Washer - Lock	1	11	8
62-3360	Cup - Bearing	6	20	1	3256-2	Washer	9	3	4
62-3370	Cone - Bearing	6	19	1	3256-22	Washer	2	39	8
62-3380	Key	6	9	2	3256-23	Washer	4	2	3
62-3390	Shaft	6	17	1	3256-23	Washer	2	37	2
62-3400	Seal	6	22	2	3256-24	Washer - Flat	5	2	3

*Not Illustrated

TORO PART NUMBER INDEX (Cont.)

Part No.	Description	Pg. Ref. No. No. Qty.	Part No.	Description	Pg. Ref. No. No. Qty.
3256-24	Washer - Flat	4 15 6	3296-29	Nut - Lock	9 5 4
3256-57	Washer	1 21 1	3296-29	Nut - Lock	3 11 5
3257-5	Key - Woodruff	1 16 2	3296-29	Nut - Lock	1 14 22
3257-23	Key - Woodruff	3 43 1	3296-39	Nut - Lock	1 8 16
3257-33	Key - Woodruff	3 24 2	3296-39	Nut - Lock	4 13 4
3272-10	Pin - Cotter	5 3 2	32103-2	Nut - Wing	7 2 2
3272-10	Pin - Cotter	4 14 2	32120-72	Ring - Retaining	3 33 1
3290-320	Cap - Push	5 5 1	32121-50	Pin - Roll	5 9 1
3290-326	Nut - Push	4 8 2	32121-50	Pin - Roll	4 20 2
3290-340	Washer - Belleville	4 12 2	32144-41	Screw - Thread Forming	3 40 8
3296-16	Nut - Lock	3 8 12	353-955	Nut - Lock	5 11 1
3296-16	Nut - Lock	2 32 6	353-955	Nut - Lock	4 23 1
3296-25	Nut - Lock	7 3 2			
3296-29	Nut - Lock	4 1 3			