



Count on it.

Parts Catalog

Snowthrower

Compact Utility Loader

Model No. 22456—Serial No. 290000201 and Up

Ordering Replacement Parts

To order replacement parts, please supply the part number, the quantity, and the description of each part desired.

Understanding Reference Numbers

Each identified part in an illustration has a reference number. The reference number for a part also appears in the parts list, along with other information about the part.

This catalog uses two special reference number formats, one to indicate parts in a service assembly and another to indicate the quantity of a given part in an illustration.

Service Assembly Reference Numbers

Parts in service assemblies have reference numbers in the form a:b. The a represents the reference number of the entire service assembly and the b represents a sequential number unique to each part within the service assembly.

For example, a wheel assembly might be identified by reference number 6, the tire by 6:1, the valve by 6:2, and the wheel by 6:3. When you order the assembly identified by reference number 6, you receive all parts identified by reference numbers 6:1, 6:2, and 6:3. However, you may also order any part individually. Reference numbers of this type appear in illustration and in parts lists.

Reference Numbers Indicating Quantity

In an illustration, if a reference number indicates more than one part, the reference number has the form nX y. The n represents the quantity of the part, the X is the multiplication symbol, and the y represents the reference number.

For example, in an illustration, the reference number 2X 37 means that two of the parts identified by reference number 37 are indicated.

List of Abbreviations

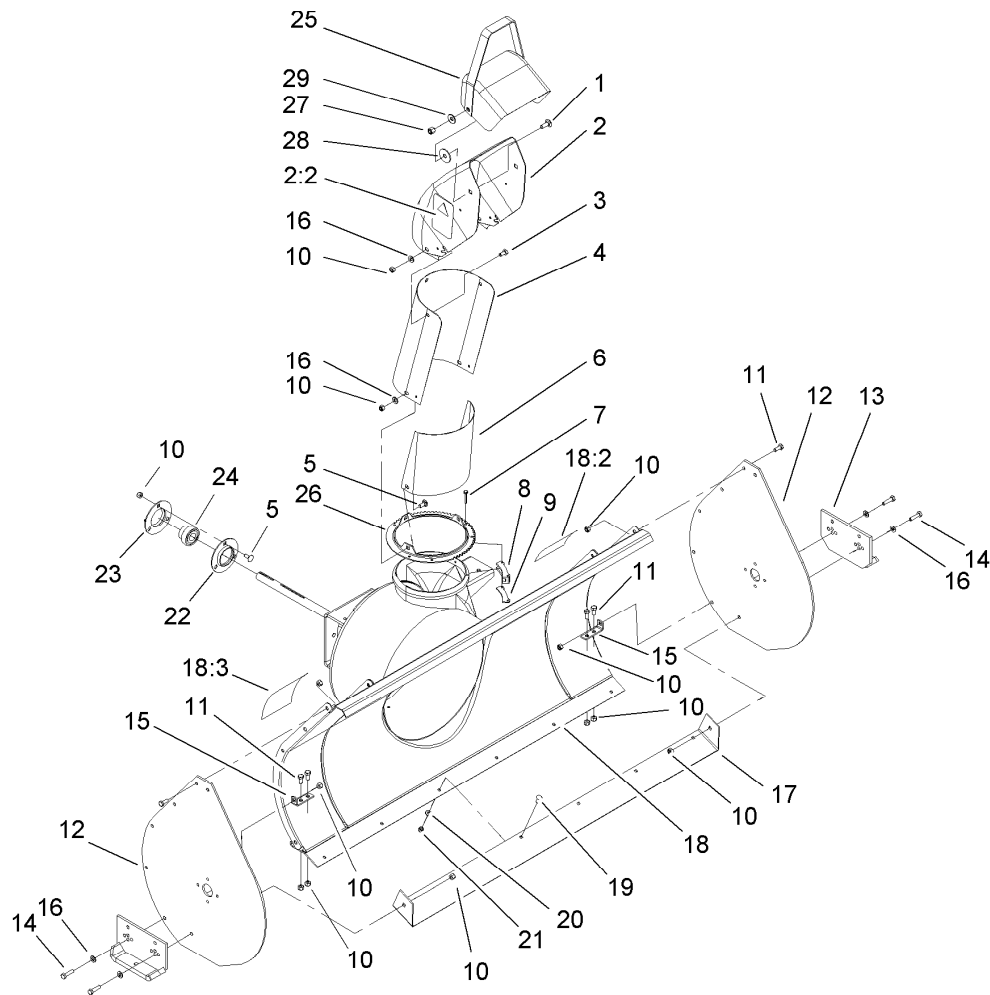
AR: as required
ASM: assembly
BBC: blade brake clutch
CARR: carriage
CCW: counter clock wise
CW: clockwise
DEG: degrees
ECM: electronic control module
EXT: external
FH: flat head
GA: gauge
HD: heavy-duty
HF: hex flange
HH: hex head
HHF: hex head flange
HHFTF: hex head flange thread forming
HJ: hex jam
HLH: hex lag head
HOC: height-of-cut

HSBH: hex socket button head
HSFH: hex socket flat head
HSH: hex socket head
HWH: hex washer head
HWHTF: hex washer head thread forming
HYD: hydraulic
LH: left hand
NI: nylon insert
NPTF: national pipe thread fine
PFH: phillips flat head
PPH: phillips pan head
PPHTF: phillips pan head thread forming
PRH: phillips round head
PTH: phillips truss head
PTO: power-take-off
RH: right hand
ROPS: roll-over protection system
RRB: rear roller brush

SFH: slotted fillister head
SHH: slotted hex head
SHWH: slotted hex washer head
SPH: slotted pan head
SQH: square head
SRH: slotted round head
STD: standard
TAP: self tapping
TTH: torx truss head

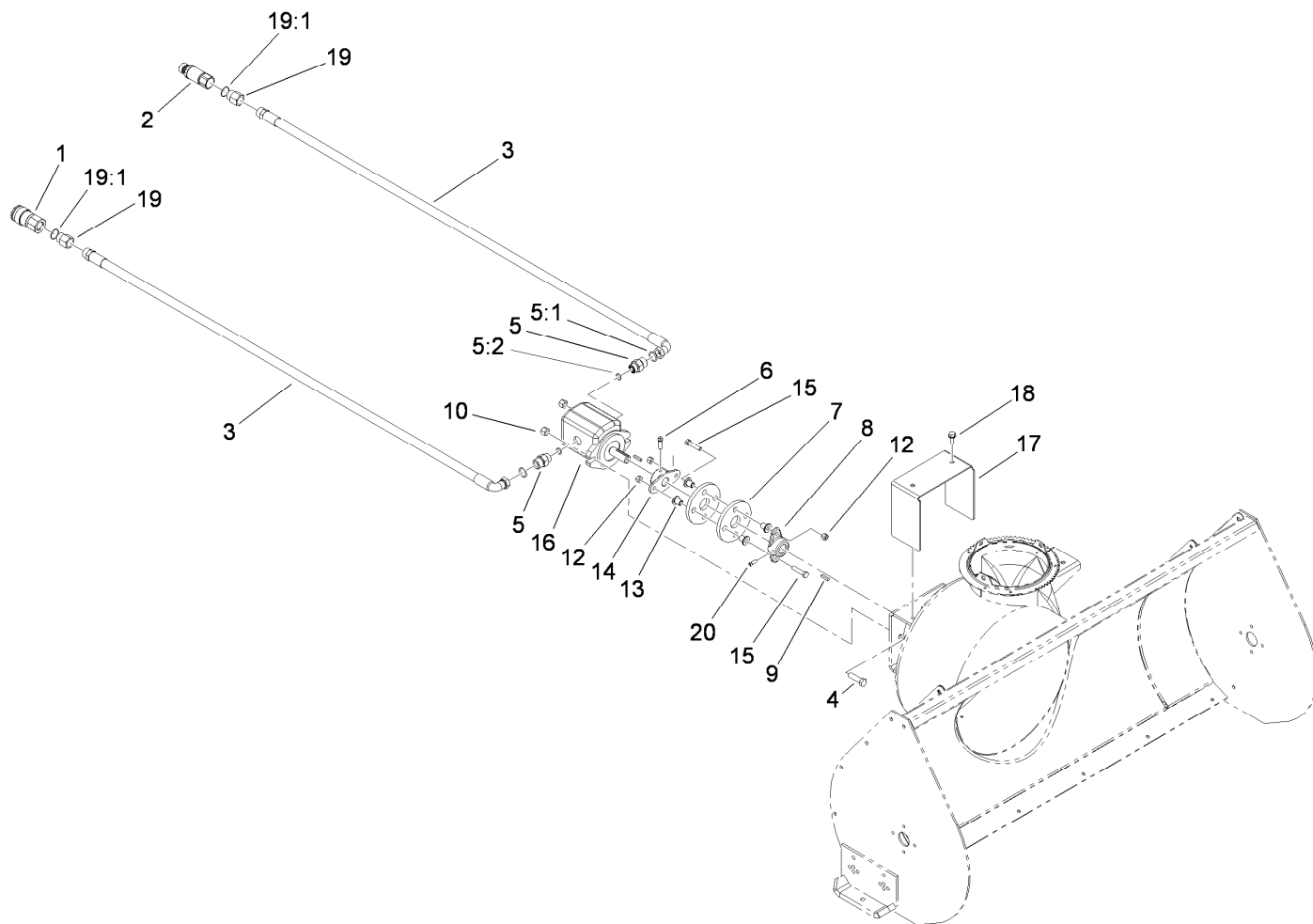
Contents

Discharge Chute Assembly	4
Hydraulic Hose and Motor Assembly	5
Hydraulic Gear Motor Assembly No. 99-4423	6
Auger and Gearcase Assembly	7
Crank and Mounting Assembly	8
Attachments and Accessories	9



Discharge Chute Assembly

<i>Ref.</i>	<i>Part Number</i>	<i>Qty.</i>	<i>Description</i>	<i>Ref.</i>	<i>Part Number</i>	<i>Qty.</i>	<i>Description</i>
1	3231-2	2	Screw-CARR	16	3256-23	10	Washer-Flat
2	100-4623	1	Discharge Chute ASM	17	99-2303-01	1	Blade-Scraper
2:2	93-7309	2	Decal-Danger, Discharge	18	99-6897	1	Housing ASM
3	322-2	3	Screw-HH	18:2	93-7310	2	Decal-Danger, Auger
4	26-1110-01	1	Extender-Chute, Upper	18:3	93-7311	1	Decal-Warning
5	3230-1	6	Bolt-CARR	19	3229-25	6	Screw-CARR
6	94-9787-01	1	Shield-Deflector	20	3256-22	6	Washer-Flat
7	100-4352	6	Screw-HWH	21	3296-42	6	Nut-Lock, NI
8	25-5450	3	Retainer-Chute	22	110568	1	Flange
9	100-4605-03	3	Plate-Retainer, Chute	23	119020	1	Flange-Relube
10	3296-29	27	Nut-Lock, NI	24	110569	1	Bearing And Collar
11	322-3	10	Screw-HH	25	11-7120-01	1	Deflector
12	57-3510-01	2	Plate-Side	26	25-5290-01	1	Ring-Swivel, Chute
13	100-4600-01	2	Skid ASM	27	3296-39	2	Nut-Lock, NI
14	322-47	4	Screw-HH	28	20-4320	2	Washer-Rubber
15	99-2304-01	2	Bracket-Support, Blade	29	3290-340	2	Washer-Belleville

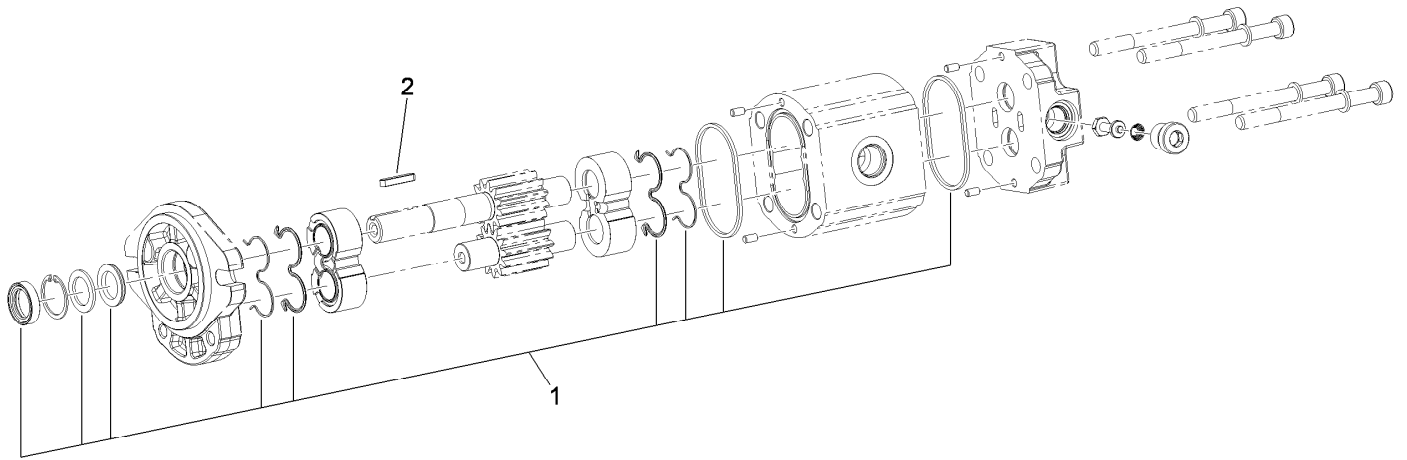


Hydraulic Hose and Motor Assembly

Ref.	Part Number	Qty.	Description
1	104-6134	1	Coupler-Face, Flush
2	100-4701	1	Nipple-Connect, Pressure
2:1	100-6120	1	Seal Kit ●
3	99-6108	2	Hose-Hydraulic
4	324-6	2	Screw-HH
5	340-6	2	Fitting-HYD, Straight
5:1	237-30	1	O-Ring
5:2	237-80	1	O-Ring
6	3241-5	2	Screw-Set
7	44-2230	2	Coupling-Rubber
8	117-1311	1	Hub-Pump
9	6366	1	Key

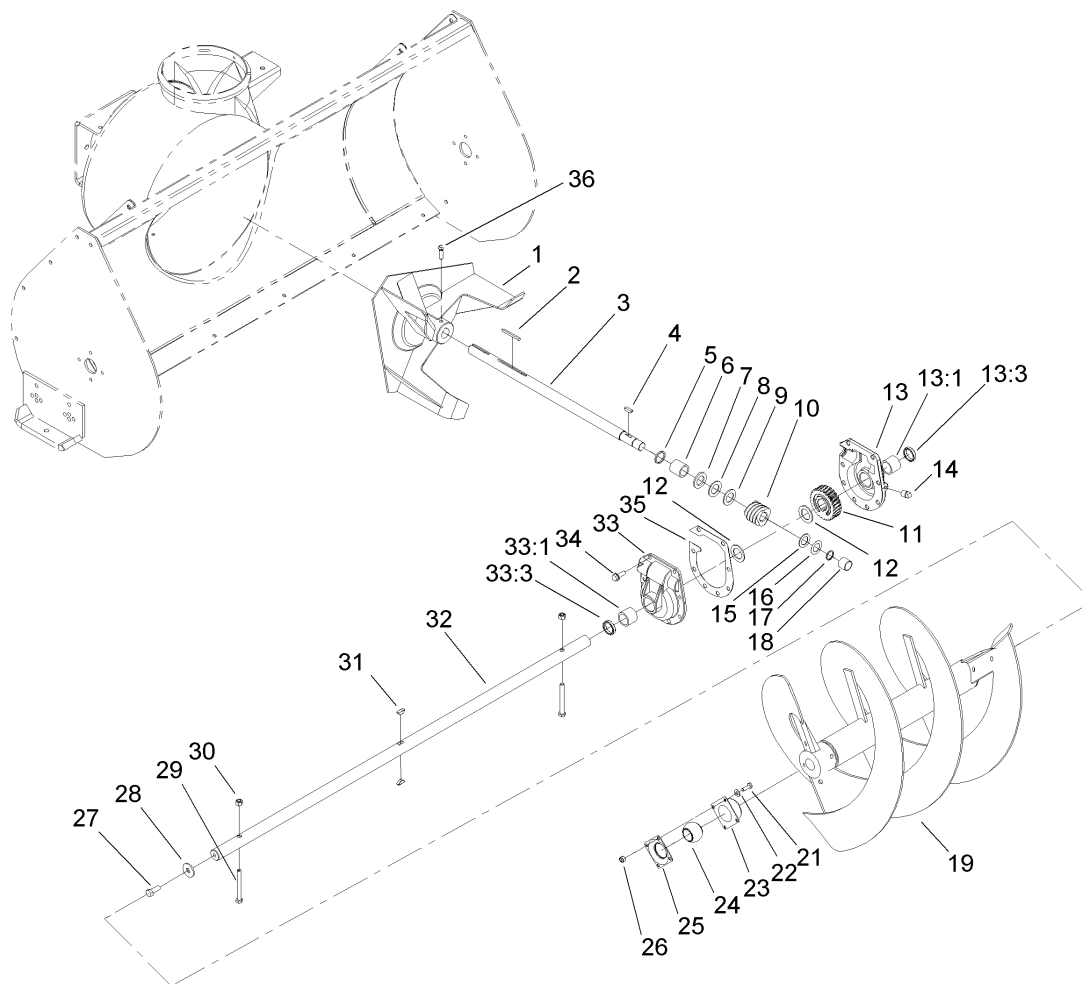
Ref.	Part Number	Qty.	Description
10	3296-48	2	Nut-Lock, NI
12	3296-29	4	Nut-Lock, NI
13	71-4411	4	Spacer
14	110-9695	1	Hub-Pump
15	322-7	4	Screw-HH
16	99-4423	1	Motor-Hydraulic
17	100-4626-01	1	Shield-Motor
18	32144-70	2	Screw-HWHTF
19	100-4617	2	Adapter-HYD
19:1	237-80	1	O-Ring
20	3242-6	2	Screw-Set, SQH

● Not illustrated



Hydraulic Gear Motor Assembly No. 99-4423

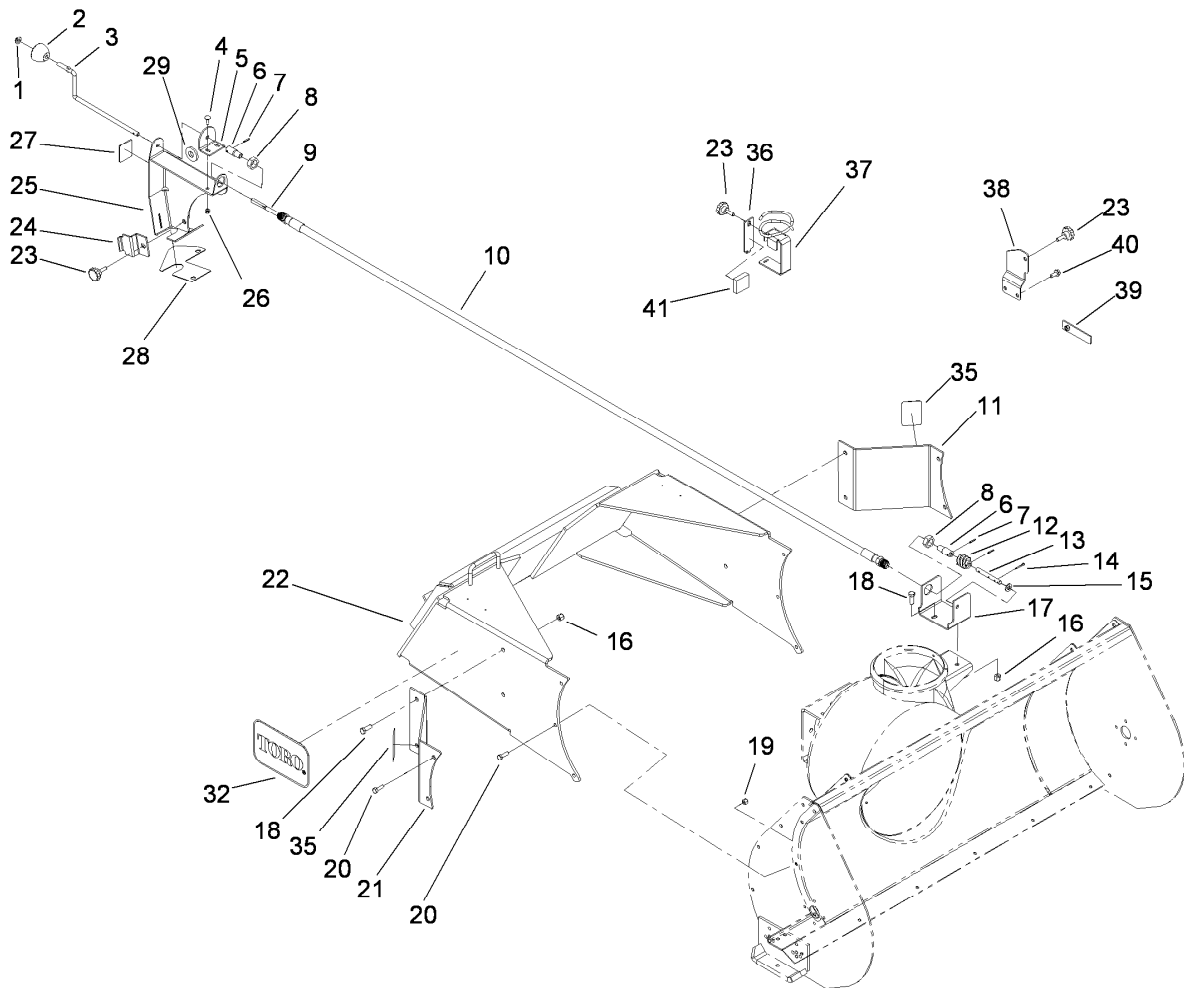
<i>Ref.</i>	<i>Part Number</i>	<i>Qty.</i>	<i>Description</i>
1	100-4629	1	Seal Kit
2	104-5839	1	Key-Square



Auger and Gearcase Assembly

Ref.	Part Number	Qty.	Description	Ref.	Part Number	Qty.	Description
1	19-8890-01	1	Impeller ASM	19	57-3300-01	1	RH Auger ASM
2	6-8590	1	Key	20	57-3370-01	1	LH Auger ASM ●
3	19-8540	1	Shaft-Impeller	21	321-4	8	Screw-HH
4	3257-23	1	Key-Woodruff	22	3256-22	8	Washer-Flat
5	237-87	1	Ring-Quad	23	20-0990	2	Bearing-Flange, Front
6	20-3210	1	Bushing-Special	24	20-0980	2	Bearing
7	252-78	1	Washer-Thrust	25	20-1000	2	Bearing-Flange, Rear
8	252-76	1	Bearing-Thrust	26	3296-42	8	Nut-Lock, NI
9	252-77	1	Thrust-Washer	27	3235-22	2	Screw-HH, Lock
10	5-7170	1	Gear	28	2844	2	Washer
11	5-7180	1	Gear-Worm, 27T	29	322-14	2	Screw-HH
12	252-71	2	Washer-Thrust	30	3296-29	2	Nut-Lock, NI
13	37-8860	1	LH Gear Case ASM	31	3257-33	2	Key-Woodruff
13:1	256-237	1	Bushing	32	57-3500	1	Shaft-Auger
13:3	7-0045	1	Seal-Oil	33	37-8850	1	RH Gear Case ASM
14	281-1	1	Plug-Pipe, SQH	33:1	256-237	1	Bushing
15	3-8664	1	Washer-Thrust	33:3	7-0045	1	Seal-Oil
16	5210	1	Washer-Shim	34	32144-41	8	Screw-Taptite
17	32120-72	1	Ring-Snap	35	105-1404	1	Gasket-Gear Box
18	256-32	1	Bushing	36	3242-6	2	Screw-Set, SQH

● Not illustrated



Crank and Mounting Assembly

<i>Ref.</i>	<i>Part Number</i>	<i>Qty.</i>	<i>Description</i>	<i>Ref.</i>	<i>Part Number</i>	<i>Qty.</i>	<i>Description</i>
1	3290-320	1	Retainer-Push On	20	322-5	10	Screw-HH
2	61-4890	1	Knob-Chute	21	100-4604-01	1	Plate-Extension, RH
3	99-5906	1	Rod-Control, Chute	22	99-4424-01	1	Snowthrower Mount ASM
4	3229-1	2	Screw-CARR	23	99-6137	3	Knob-Control, Chute
5	99-5904-01	1	Bracket-Rod, Support	24	99-5907-01	1	Bracket-Clamp
6	61-4940	2	Coupler	25	99-5909-01	1	Bracket-Control, Chute
7	32121-50	3	Pin-Spring	26	3296-42	2	Nut-Lock, NI
8	353-955	2	Locknut	27	63-3510	1	Decal-Chute Direction
9	99-4978	1	Shaft-Flexible	28	99-6139	1	Foam-Chute, Control
10	99-4979	1	Hose ASM	29	83-1040	1	Washer-Flat
11	100-4603-01	1	Plate-Extension, LH	32	62-7400	2	Decal
12	8-8600	1	Gear-Worm, Chute	35	100-4627	2	Reflector-Snowthrower
13	61-4950	1	Shaft-Gear, Worm	36	112-2615-03	1	Bracket-Retainer
14	3272-10	1	Pin-Cotter	37	112-2617-03	1	Hose Retainer ASM
15	3256-24	1	Washer-Flat	38	100-4620-01	1	Bracket, Clamp
16	3296-39	6	Nut-Lock, NI	39	100-4621-01	1	Plate ASM-Retainer
17	99-5319-01	1	Bracket-Gear, Worm	40	32144-70	2	Screw-HWHTF
18	323-6	6	Screw-HH	41	112-2616	1	Pad-Retainer, Bracket
19	3296-29	6	Nut-Lock, NI				

Attachments and Accessories

For 22456 Snowthrower, Compact Utility Loader

Product Name

Model/Part

Flush Face Adapter Kit 100-4744

Notes:

Notes:



Count on it.