



Count on it.

Parts Catalog

252 Valve Series

Model No. 252 Series

Ordering Replacement Parts

To order replacement parts, please supply the part number, the quantity, and the description of each part desired.

Understanding Reference Numbers

Each identified part in an illustration has a reference number. The reference number for a part also appears in the parts list, along with other information about the part.

This catalog uses two special reference number formats, one to indicate parts in a service assembly and another to indicate the quantity of a given part in an illustration.

Service Assembly Reference Numbers

Parts in service assemblies have reference numbers in the form a:b. The a represents the reference number of the entire service assembly and the b represents a sequential number unique to each part within the service assembly.

For example, a wheel assembly might be identified by reference number 6, the tire by 6:1, the valve by 6:2, and the wheel by 6:3. When you order the assembly identified by reference number 6, you receive all parts identified by reference numbers 6:1, 6:2, and 6:3. However, you may also order any part individually. Reference numbers of this type appear in illustration and in parts lists.

Reference Numbers Indicating Quantity

In an illustration, if a reference number indicates more than one part, the reference number has the form nX y. The n represents the quantity of the part, the X is the multiplication symbol, and the y represents the reference number.

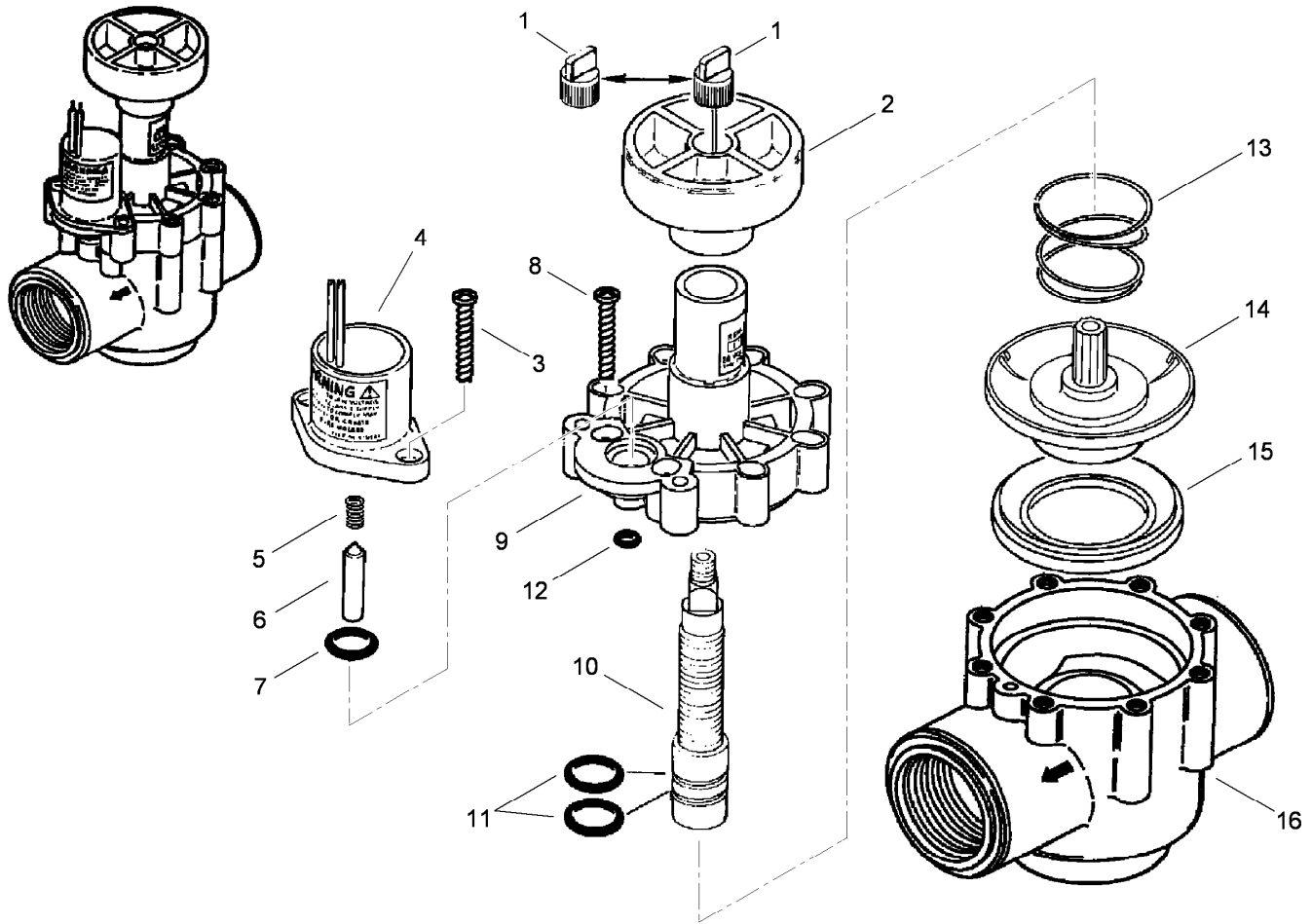
For example, in an illustration, the reference number 2X 37 means that two of the parts identified by reference number 37 are indicated.

List of Abbreviations

AR: as required	HLH: hex lag head	RH: right hand
ASM: assembly	HOC: height-of-cut	ROPS: roll-over protection system
BBC: blade brake control	HSBH: hex socket button head	RRB: rear roller brush
BHTF: button head thread forming	HSFH: hex socket flat head	SFH: slotted fillister head
CARR: carriage	HSH: hex socket head	SHH: slotted hex head
CCW: counter clockwise	HWH: hex washer head	SHWH: slotted hex washer head
CW: clockwise	HWHTF: hex washer head thread forming	SPH: slotted pan head
DEG: degrees	HYD: hydraulic	SQH: square head
ECM: electronic control module	LH: left hand	SRH: slotted round head
EXT: external	NI: nylon insert	STD: standard
FH: flat head	NPTF: national pipe thread fine	TAP: self tapping
GA: gauge	PFH: phillips flat head	TTH: torx truss head
HD: heavy-duty	PPH: phillips pan head	
HF: hex flange	PPHTF: phillips pan head thread forming	
HH: hex head	PRH: phillips round head	
HHF: hex head flange	PTH: phillips truss head	
HHFTF: hex head flange thread forming	PTO: power-take-off	
HJ: hex jam		

Contents

- 252 Valve Series, 1 Inch Assembly 4
- 252 Valve Series, 1.5 Inch Assembly 5
- 252 Valve Series, 1.5 Inch Assembly - Regulator 7
- 252 Valve Series, 2 Inch Assembly 9
- 252 Valve Series, 2 Inch Assembly (Continued) 10



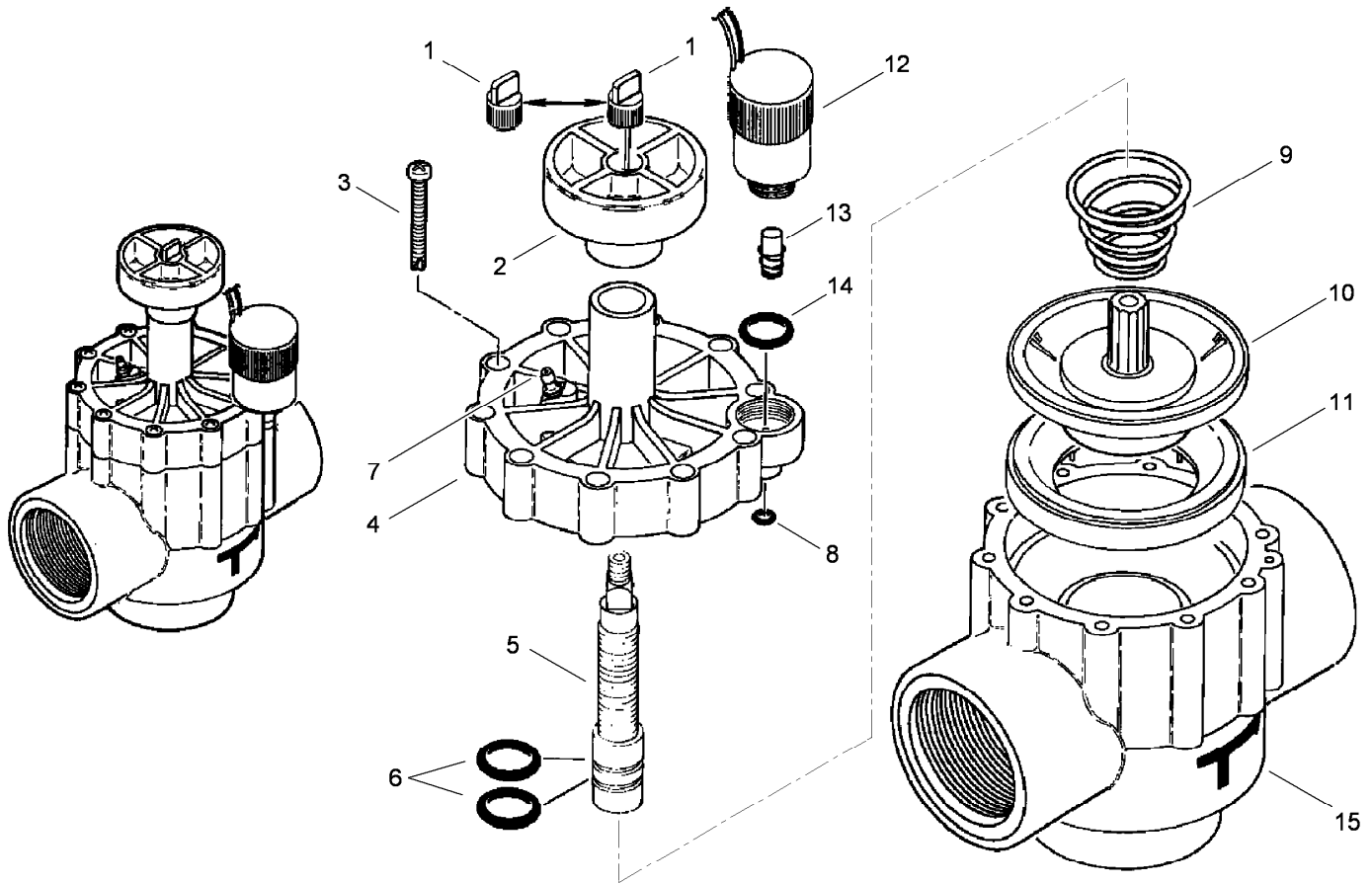
252 Valve Series, 1 Inch Assembly

Ref.	Part Number	Qty.	Description
1	35-4521	1	Bleed Cap ASM, W/ Pin, EI, Fast Closing
1	35-1748	1	Bleed Cap ASM, W/O Pin, No And Pt
2	35-3777	1	Knob-Cross, Handle
3	363-1493	2	Screw, #10 X 1
4		1	Solenoid ASM (See Service Item 89-0878) ■
5	9-6148	1	Spring-Plunger, Solenoid
6	9-6527	1	Plunger ASM
7	2-9652	1	O-Ring (7/16 X 5/8)
8	363-1493	8	Screw, #10 X 1
9		1	Cap ASM, EI, W/Fc (See Service Item 35-8182) ■
10	35-1983	1	Stem-Flow Control
11	360-0220	2	O-Ring (0.070 X 0.551 X 0.691)
12	1-2035	1	O-Ring (0.070 X 0.114 X 0.254)

Ref.	Part Number	Qty.	Description
13	9-7110	1	Spring-Diaphragm
14	35-2824	1	Diaphragm ASM, 1 Inch, EI
15	9-6331	1	Support-Diaphragm
16	9-6811	1	Body ASM, 1 Inch, Npt
16	35-1971	1	Body ASM, 1 Inch, Bsp
17	9-7706	1	Plug-Pipe, 1 Inch ●
18	89-7855	1	Bleed Cap ASM, W/O Pin, No And Pt, Effluent ●
19	89-0878	1	Solenoid And Plunger ASM (Incl. 4-6) ●
20	9-8182	1	Cap ASM (Incl. 9-11) ●
21	35-3503	1	Diaphragm ASM, EI, Service Kit ●
22	9-5197	1	Screen-Filter, 3/4 Inch (Used In 35-3503 Diaphragm ASM) ●
23	35-9346	1	Bleed Cap ASM, W/Pin, Slow-Closing ●

● Not illustrated

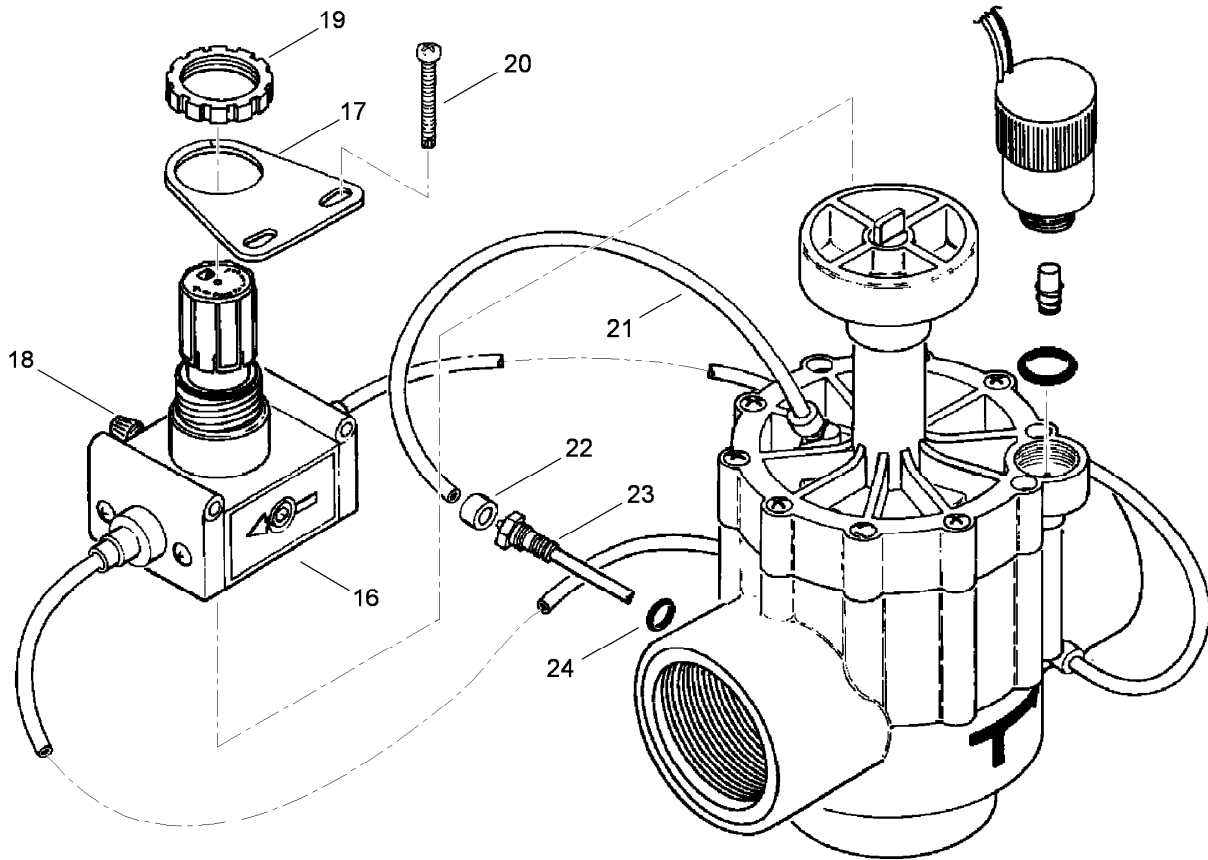
■ Not serviced separately



252 Valve Series, 1.5 Inch Assembly

Ref.	Part Number	Qty.	Description	Ref.	Part Number	Qty.	Description
1	35-4521	1	Bleed Cap ASM, W/ Pin, EI, Fast Closing	6	360-0220	2	O-Ring (0.070 X 0.551 X 0.691)
1	35-1748	1	Bleed Cap ASM, W/O Pin, No And Pt, Pr And Cr	7	9-6791	1	Connector-Poly
1	89-7855	1	Bleed Cap ASM, W/O Pin, No And Pt, Effluent	8	1-2035	1	O-Ring (0.070 X 0.114 X 0.254) EI, Pr And Cr
2	35-3777	1	Knob-Cross, Handle	9	9-4425	1	Spring-Diaphragm
3	360-0203	10	Screw-Tap, #10-25 X 1-3/4, Pr	10	89-0812	1	Diaphragm ASM, EI
4		1	Cap-Valve, EI (See Service Items) ●	10	89-0814	1	Diaphragm ASM, Pt
4		1	Cap-Valve, No And Pt (See Service Items) ●	10	89-0813	1	Diaphragm ASM, No, Pr And Cr
4		1	Cap-Valve, Pr (See Service Items) ●	11	89-6110	1	Support-Diaphragm
4		1	Cap-Valve, Cr (See Service Items) ●	12	89-1905	1	Solenoid ASM, EI, Pr And Cr
5	35-1983	1	Stem-Flow Control	13	35-4609	1	Plunger ASM, EI, Pr And Cr
				14	360-0220	1	O-Ring (0.070 X 0.551 X 0.691) EI, Pr And Cr
				15	9-7100	1	Body ASM, No And Pt, Npt
				15	9-7238	1	Body ASM, EI, Npt
				15	35-1972	1	Body ASM, No And Pt, Bsp

● Not serviced separately



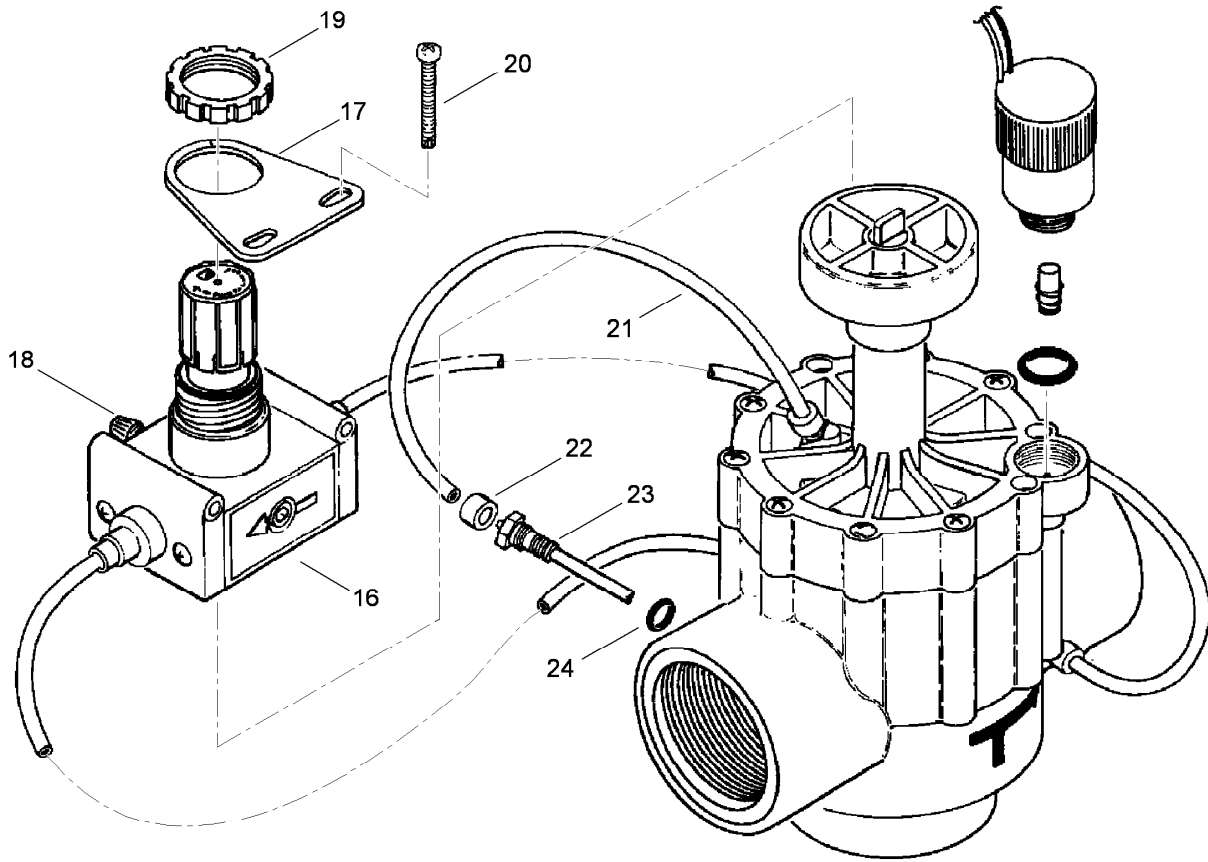
252 Valve Series, 1.5 Inch Assembly - Regulator

Ref.	Part Number	Qty.	Description
16	363-3141	1	Regulator-Water Pressure, Plastic Valve, Pr
17	35-3444	1	Bracket-Regulator, Pr
18	363-1762	1	Valve, 1/8, Pr, Npt
19	363-1894	1	Nut-Regulator, Pr
20	360-0203	2	Screw-Tap, #10-25 X 1-3/4, Pr
21	9-2623	3	Tube, 1/4 X 8, Pr And Cr
21	9-2624	1	Tubing-Poly, 1/4 X 11.5, Cr
22	900-40	6	Retainer-Tube, Pr And Cr ■
23	35-4619	1	Filter ASM, 1/4, Regulator, Pr And Cr
24	360-0494	1	O-Ring (0.070 X 0.426 X 0.566) Pr And Cr
25	35-3099	1	Solenoid ASM, El And Pr And Cr (Incl. 12-13) ●
26	89-8157	1	Cap-Poly, No And Pt ●
27	2-3013	1	Plug-Cap ●

Ref.	Part Number	Qty.	Description
28	35-9346	1	Bleed Cap ASM, W/Pin, Slow-Closing (1 And 1.5 Inch) ●
29	35-0595	1	Cap ASM, Valve, El (Incl. 4-6) ●
30	35-0769	1	Cap ASM, Valve, No And Pt (Incl. 4-7) ●
31	35-4935	1	Cap ASM, Valve, Pr And Cr (Incl. 4-7) ●
32	35-4926	1	Regulator ASM, Plastic Valve, Pr (Incl. 16-19) ●
33	360-0630	1	Plug-Pipe, 1.5, Npt ●
34	89-0817	1	Diaphragm Kit, 1.5, El (Incl. 10-11) ●
35	89-0818	1	Diaphragm Kit, 1.5, No (Incl. 10-11) ●
36	89-0814	1	Diaphragm ASM, Pt ●

● Not illustrated

■ * Order Through Finished Goods Distribution System Minneapolis

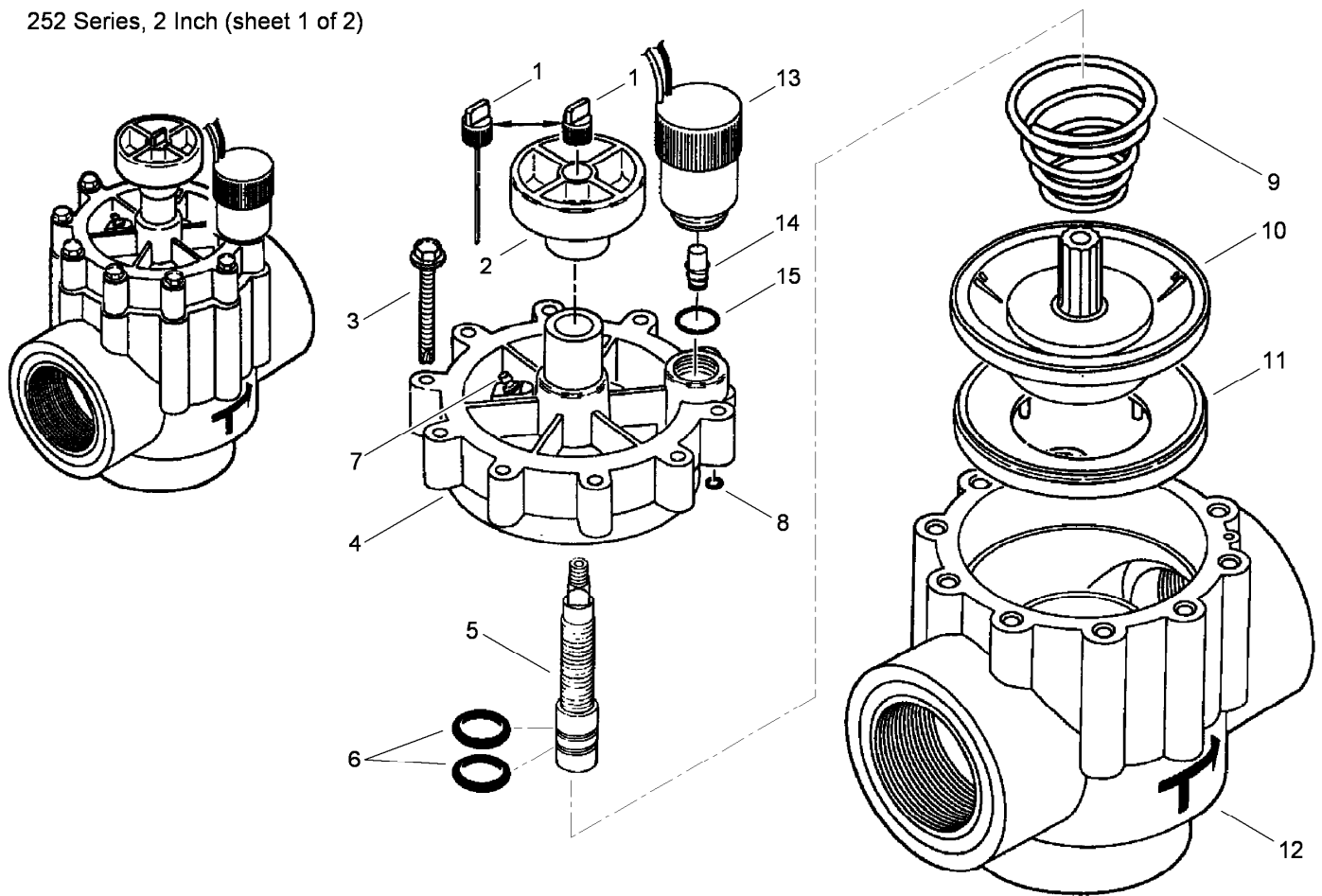


252 Valve Series, 1.5 Inch Assembly - Regulator (continued)

Ref.	Part Number	Qty.	Description
37	89-9453	1	Service Kit, Valve, 1.5, No (Incl. 1, 2, 9, 10, 11 And 35-0769 Valve Cap ASM) ●

Ref.	Part Number	Qty.	Description
38	89-3853	1	Service Kit, Valve, 1.5, El (252) Incl. 1, 2, 6, 8, 9, 10 And 35-0595 Valve Cap ASM) ●
39	89-3892	1	Service Kit, Valve, 1.5, Pt (Incl. 1, 2, 9, 10, 11 And 35-0769 Valve Cap ASM) ●

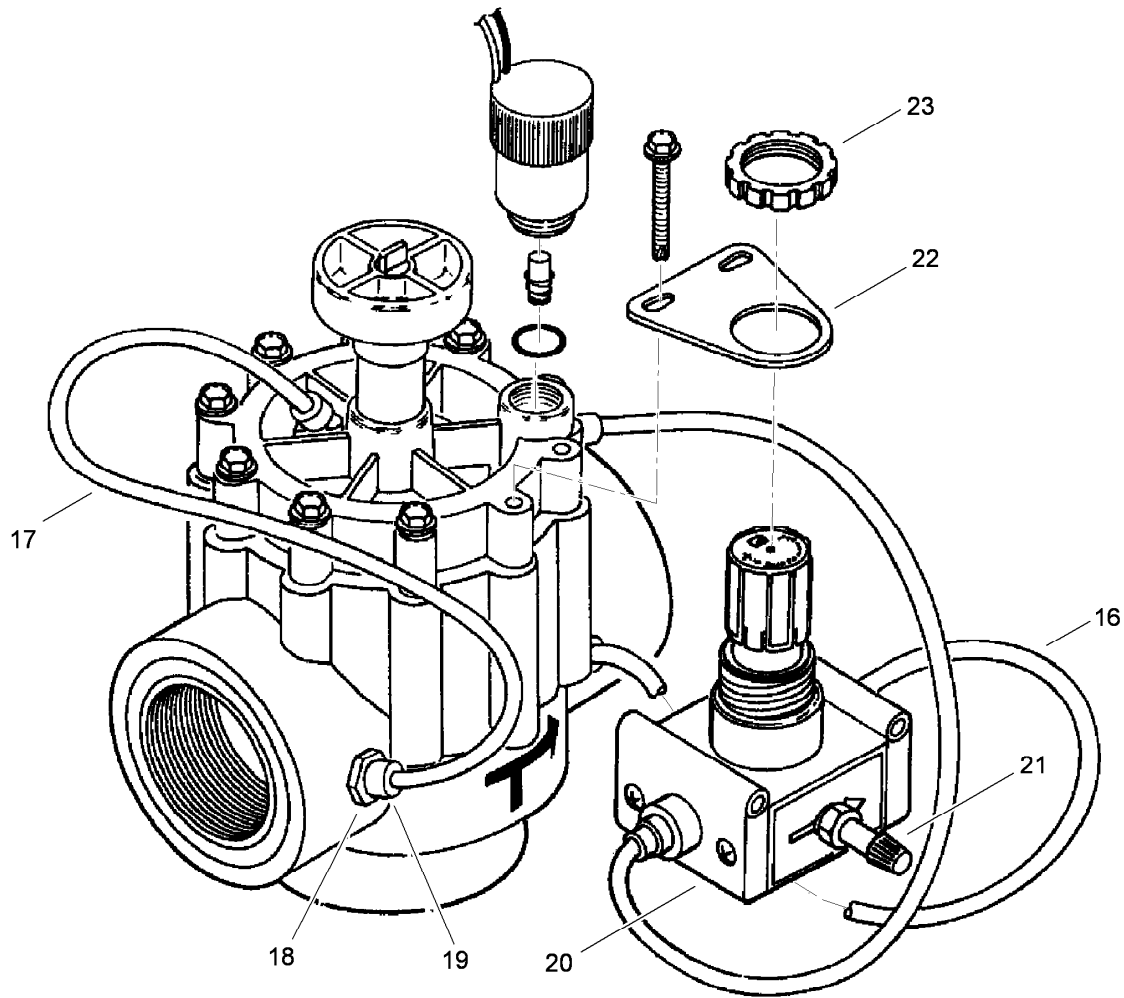
● Not illustrated
 ■ * Order Through Finished Goods Distribution System Minneapolis



252 Valve Series, 2 Inch Assembly

Ref.	Part Number	Qty.	Description	Ref.	Part Number	Qty.	Description
1	35-3892	1	Bleed Cap ASM With Pin, EI	10	89-0815	1	Diaphragm ASM, EI
1	35-1748	1	Bleed Cap, No, Pr And Cr	10	89-0816	1	Diaphragm ASM, No, Pr And Cr
2	35-3777	1	Knob-Cross, Handle	11	9-6504	1	Support-Diaphragm
3	363-1399	10	Screw-Hex, Washer, 1/4-14 X 2	12	9-7258	1	Body ASM, EI And No, Npt
4		1	Cap-Valve (See Service Items) ●	12	35-1974	1	Body ASM, EI And No, Bsp
5	35-1983	1	Stem-Flow Control	12	35-4943	1	Body ASM, Pr, Npt
6	360-0220	2	O-Ring (0.070 X 0.551 X 0.691)	12	35-5645	1	Body ASM, Pr, Bsp
7	9-6791	1	Connector-Poly, No And Pr	12	89-4807	1	Body ASM, Cr, Npt
8	1-2035	1	O-Ring (0.070 X 0.114 X 0.254)	12	89-6035	1	Body ASM, Cr, Bsp
9	9-6940	1	Spring-Diaphragm, EI, Pr And Cr	13	89-1905	1	Solenoid ASM
9	9-4425	1	Spring-Diaphragm, No	14	35-4609	1	Plunger ASM
				15	360-0220	1	O-Ring (0.070 X 0.551 X 0.691)

● Not serviced separately



252 Valve Series, 2 Inch Assembly (Continued)

Ref.	Part Number	Qty.	Description	Ref.	Part Number	Qty.	Description
16	9-2623	1	Tube, 1/4 X 8, Pr	28	89-3855	1	Diaphragm Kit, EI 232/252 Valves (Incl. 10-11) ●
17	9-1876	2	Tube, 1/4 X 12, Pr And Cr	29	35-0596	1	Cap ASM, Valve, EI (Incl. 4-6) ●
18	35-4931	1	Filter ASM, Regulator, .034, Pr And Cr (Includes O-Ring)	30	35-0768	1	Cap ASM, Valve, No (Incl. 4-7) ●
19	900-40	4	Retainer-Tube, Pr And Cr ■	31	35-4940	1	Cap ASM, Valve, Pr (Incl. 4-7) ●
20	363-3141	1	Regulator-Water Pressure, Plastic Valve, Pr	32	89-4806	1	Cap ASM, Valve, Cr (Incl. 4-7) ●
21	363-1762	1	Valve-Schrader, 1/8, Pr, Npt	33	35-4926	1	Regulator ASM, Plastic Valve, Pr (Incl. 20-23) ●
22	35-3444	1	Bracket-Regulator, Pr	34	89-0806	1	Bleed Screw, Fast, 2 Inch ●
23	363-1894	1	Nut-Regulator, Pr	35	360-0494	1	O-Ring (0.070 X 0.426 X 0.566) Pr And Cr ●
24	35-3099	1	Solenoid ASM, EI And Pr (Incl. 13-14) ●				
25	360-0631	1	Plug-Pipe, 2 Inch, Npt ●				
26	35-5154	1	Plug-Pipe, 2 Inch, Bsp ●				
27	89-3854	1	Diaphragm Kit, EI 232/252 Valve (Incl. 10-11) ●				

● Not illustrated

■ * Order Through Finished Goods Distribution System Minneapolis

Notes:



Count on it.