



Count on it.

Parts Catalog

Z400 Z Master®

With 48in 7-Gauge Side Discharge Mower

Model No. 74448—Serial No. 290000001 and Up

Ordering Replacement Parts

To order replacement parts, please supply the part number, the quantity, and the description of each part desired.

Understanding Reference Numbers

Each identified part in an illustration has a reference number. The reference number for a part also appears in the parts list, along with other information about the part.

This catalog uses two special reference number formats, one to indicate parts in a service assembly and another to indicate the quantity of a given part in an illustration.

Service Assembly Reference Numbers

Parts in service assemblies have reference numbers in the form a:b. The a represents the reference number of the entire service assembly and the b represents a sequential number unique to each part within the service assembly.

For example, a wheel assembly might be identified by reference number 6, the tire by 6:1, the valve by 6:2, and the wheel by 6:3. When you order the assembly identified by reference number 6, you receive all parts identified by reference numbers 6:1, 6:2, and 6:3. However, you may also order any part individually. Reference numbers of this type appear in illustration and in parts lists.

Reference Numbers Indicating Quantity

In an illustration, if a reference number indicates more than one part, the reference number has the form nX y. The n represents the quantity of the part, the X is the multiplication symbol, and the y represents the reference number.

For example, in an illustration, the reference number 2X 37 means that two of the parts identified by reference number 37 are indicated.

List of Abbreviations

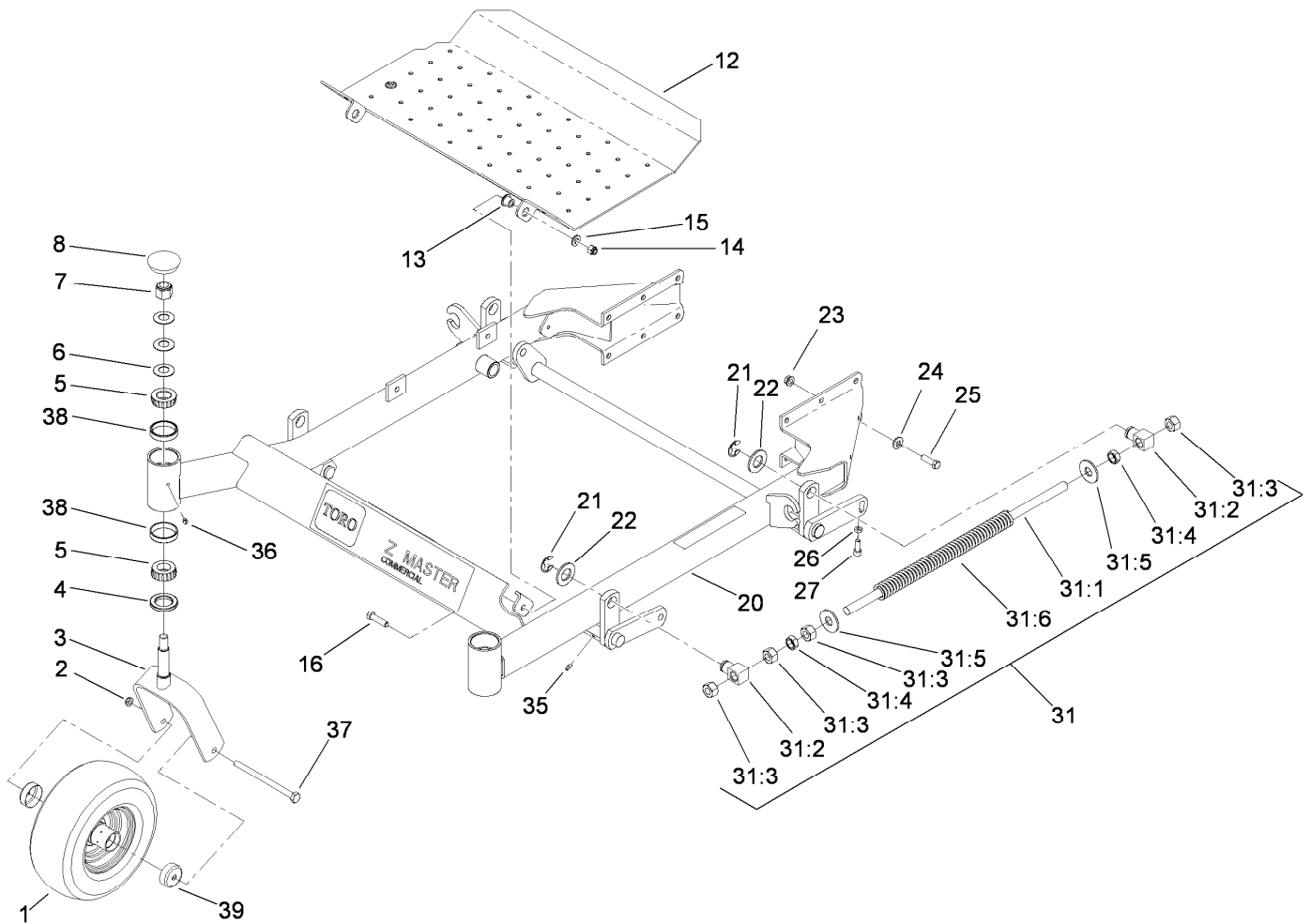
AR: as required
ASM: assembly
BBC: blade brake clutch
CARR: carriage
CCW: counter clock wise
CW: clockwise
DEG: degrees
ECM: electronic control module
EXT: external
FH: flat head
GA: gauge
HD: heavy-duty
HF: hex flange
HH: hex head
HHF: hex head flange
HHFTF: hex head flange thread forming
HJ: hex jam
HLH: hex lag head
HOC: height-of-cut

HSBH: hex socket button head
HSFH: hex socket flat head
HSH: hex socket head
HWH: hex washer head
HWTF: hex washer head thread forming
HYD: hydraulic
LH: left hand
NI: nylon insert
NPTF: national pipe thread fine
PFH: phillips flat head
PPH: phillips pan head
PPHTF: phillips pan head thread forming
PRH: phillips round head
PTH: phillips truss head
PTO: power-take-off
RH: right hand
ROPS: roll-over protection system
RRB: rear roller brush

SFH: slotted fillister head
SHH: slotted hex head
SHWH: slotted hex washer head
SPH: slotted pan head
SQH: square head
SRH: slotted round head
STD: standard
TAP: self tapping
TTH: torx truss head

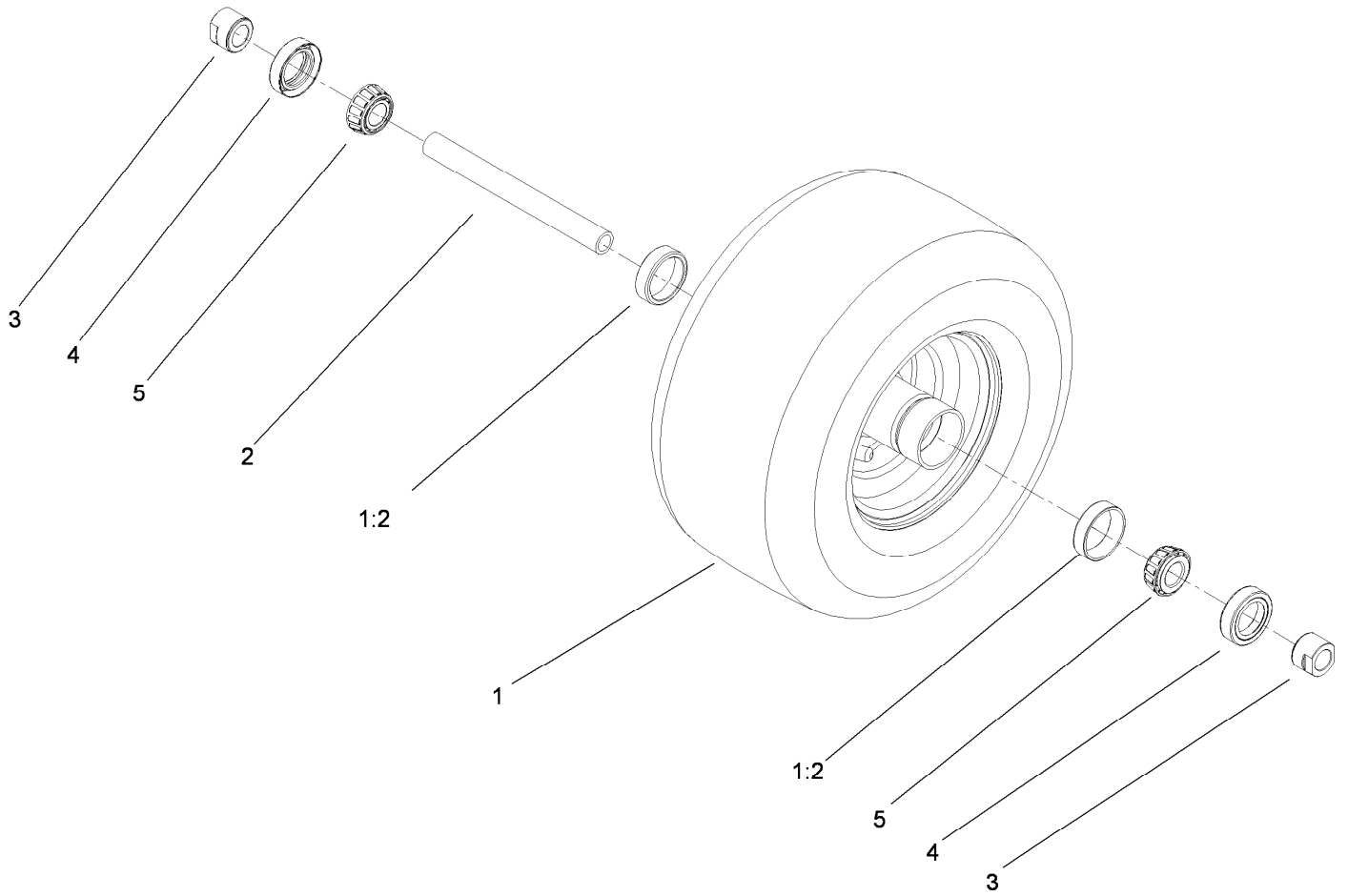
Contents

Front Frame and Caster Wheel Assembly	4
Tire and Wheel Assembly No. 103-5362	5
Front Frame Assembly No. 108-5022.....	6
Height-of-Cut Assembly	7
Main Frame Assembly	8
Fuel System Assembly	9
Parking Brake Assembly	10
Hydraulic Motor Assembly No. 103-5333.....	11
Motion Control Assembly	12
RH Motion Control Assembly No. 109-3911	13
LH Motion Control Assembly No. 109-3912.....	14
Hydraulic System Assembly	15
Hydraulic Pump Assembly No. 103-1942.....	16
Pump Idler and Belt Assembly	17
Engine, Clutch and Muffler Assembly	18
Deck Connection Assembly	19
Deck Assembly	20
Deck Decal Assembly	22
Spindle Assembly No. 107-8504	23
Rubber Deflector Assembly No. 108-7770.....	24
Idler Assembly	25
Electrical System Assembly	26
Seat and Bracket Assembly	27
Seat and Bracket Assembly No. 110-0446.....	28
Roll-Over Protection System Assembly	29
Roll-Over Protection System Assembly No. 107-8093.....	30
Cylinder and Crankcase Assembly Kawasaki FH641V-DS19-R.....	31
Piston and Crankshaft Assembly Kawasaki FH641V-DS19-R	32
Valve and Camshaft Assembly Kawasaki FH641V-DS19-R	33
Lubrication Equipment Assembly Kawasaki FH641V-DS19-R	34
Cooling Equipment Assembly Kawasaki FH641V-DS19-R	35
Electric Equipment Assembly Kawasaki FH641V-DS19-R	36
Control Equipment Assembly Kawasaki FH641V-DS19-R	37
Carburetor Assembly Kawasaki FH641V-DS19-R	38
Air Filter and Muffler Assembly Kawasaki FH641V-DS19-R	39
Fuel Tank and Valve Assembly Kawasaki FH641V-DS19-R	40
Starter Assembly Kawasaki FH641V-DS19-R.....	41
Label Assembly Kawasaki FH641V-DS19-R.....	42
Attachments and Accessories	43



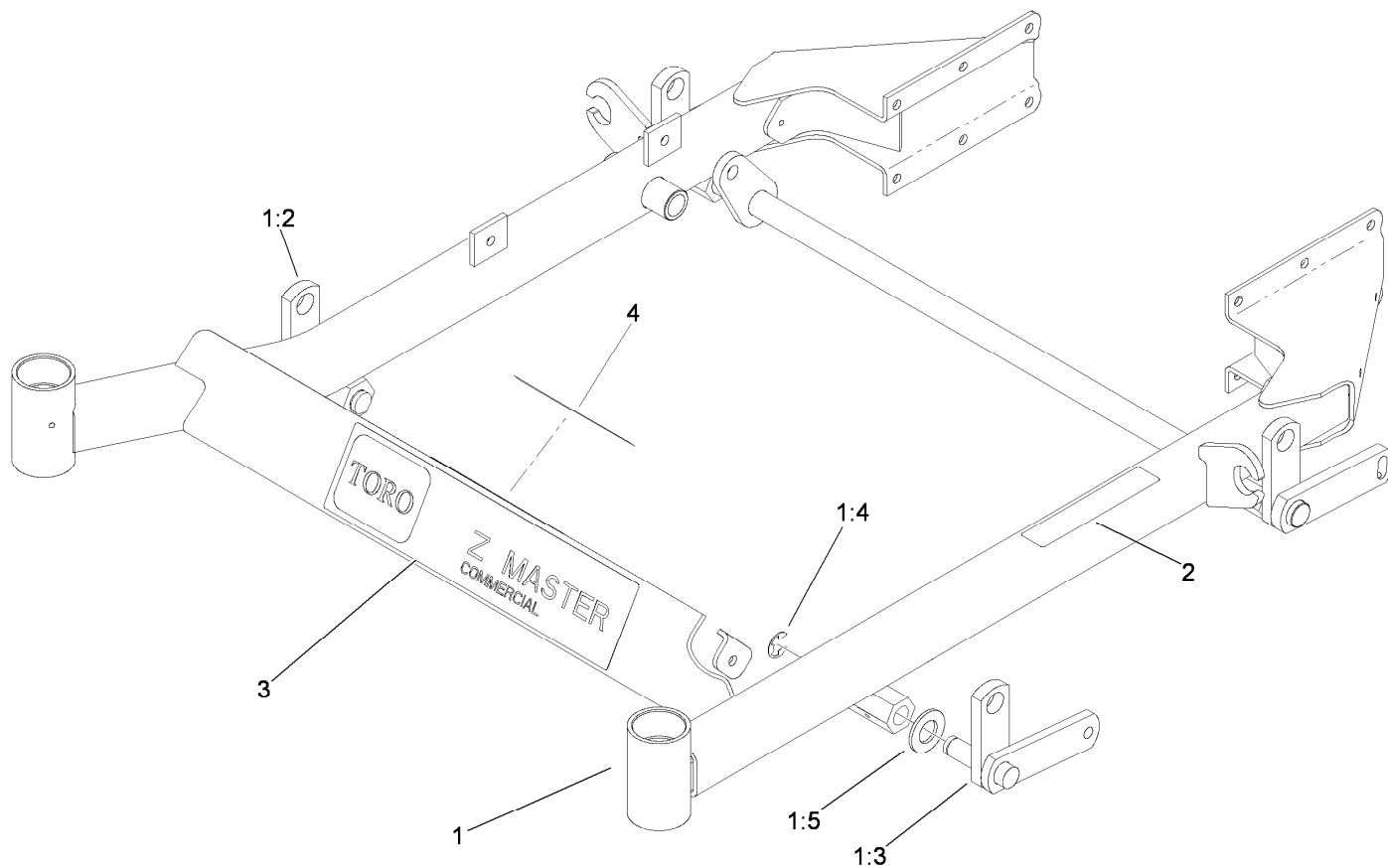
Front Frame and Caster Wheel Assembly

Ref.	Part Number	Qty.	Description	Ref.	Part Number	Qty.	Description
1	103-5362	2	Wheel And Bearing ASM	24	98-5975	12	Washer-Belleville
2	3296-45	2	Nut-Lock, NI	25	323-7	12	Screw-HH
3	1-632511-01	2	Caster	26	3218-2	2	Nut-Jam
4	1-543511	2	Seal-Grease	27	3274-18	2	Screw-HSH
5	254-94	4	Bearing-Cone, Tapered	31	1-634439	2	Front Frame Spring ASM
6	1-633508	6	Washer-Belleville	31:1	1-633096	1	Rod-Lift, Deck
7	3296-51	2	Nut-Lock, NI	31:2	1-633441	2	Swivel-Deck Mount, Rear
8	103-4882	2	Cap-Grease	31:3	3217-11	4	Nut-Hex
12	108-5007-03	1	Floor Pan	31:4	3218-6	2	Nut-Jam
13	86-2180	2	Bushing-Flange	31:5	3256-7	2	Washer-Flat
14	3296-39	2	Nut-Lock, NI	31:6	1-633064	1	Spring-Support, Deck
15	3256-24	2	Washer-Flat	35	302-19	4	Fitting-Grease
16	323-8	2	Screw-HH	36	1-811010	2	Plug
20	108-5022	1	Front Frame ASM	37	325-36	2	Screw-HH
21	32151-103	4	Ring-Retaining, EXT	38	254-72	4	Bearing-Cup, Tapered
22	3256-29	4	Washer-Flat	39	103-2768	4	Guard-Seal
23	3290-357	12	Nut-HHF, Whiz				



Tire and Wheel Assembly No. 103-5362

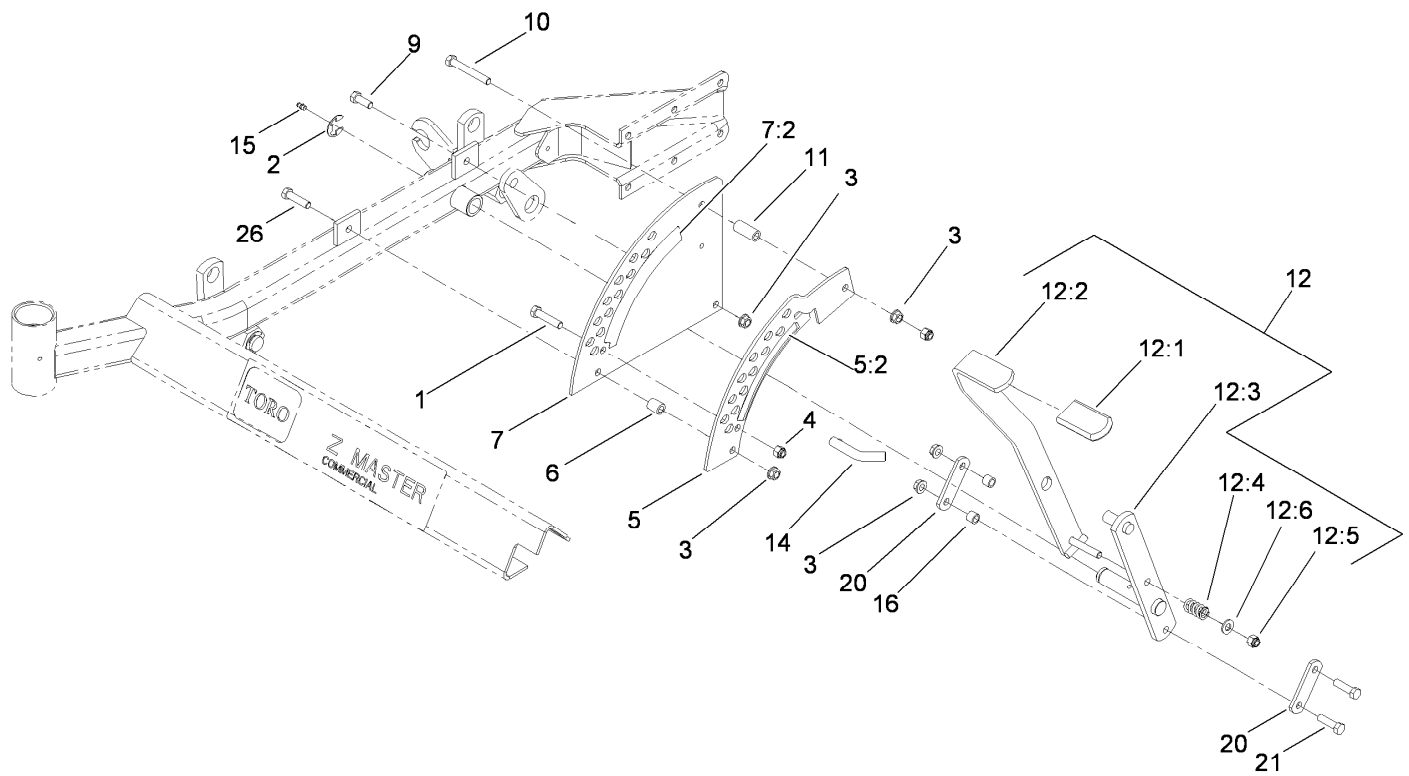
<i>Ref.</i>	<i>Part Number</i>	<i>Qty.</i>	<i>Description</i>
1	103-5363	1	Wheel And Tire ASM
1:2	1-633584	2	Bearing-Cup
2	103-3155	1	Axle-Caster
3	103-3051	2	Spacer-Nut
4	103-0063	2	Seal-Caster
5	1-633585	2	Bearing-Cone, Taper



Front Frame Assembly No. 108-5022

<i>Ref.</i>	<i>Part Number</i>	<i>Qty.</i>	<i>Description</i>
1		1	Frame-Front ●
1:2	99-3872	1	RH Lift Arm ASM
1:3	99-3871	1	LH Lift Arm ASM
1:4	32151-103	2	Ring-Retaining, EXT
1:5	3256-29	2	Washer-Flat
2	1-633818	1	Decal-Warning
3	106-7451	1	Decal
4	107-2112	1	Decal-Warning

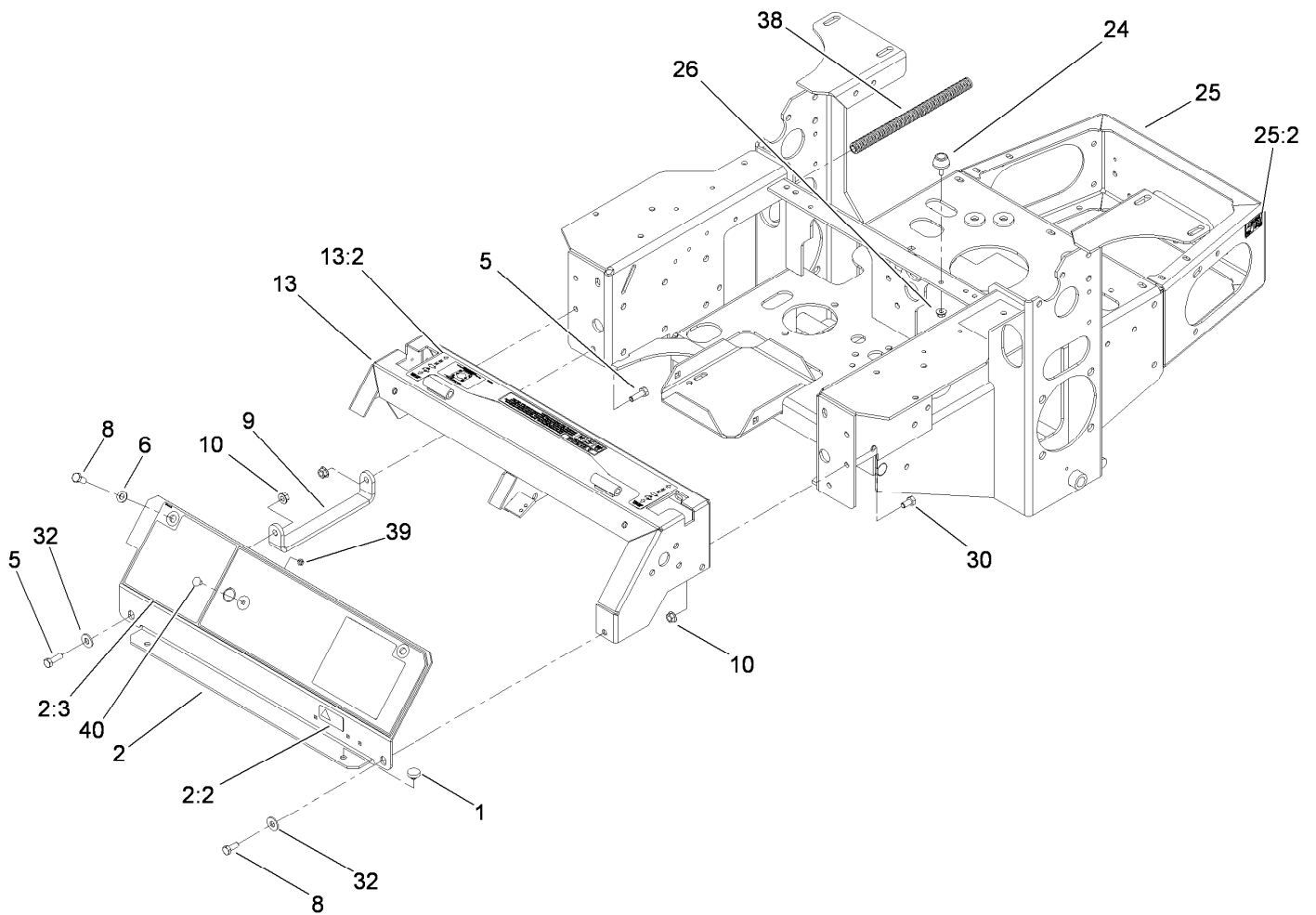
● Not serviced separately



Height-of-Cut Assembly

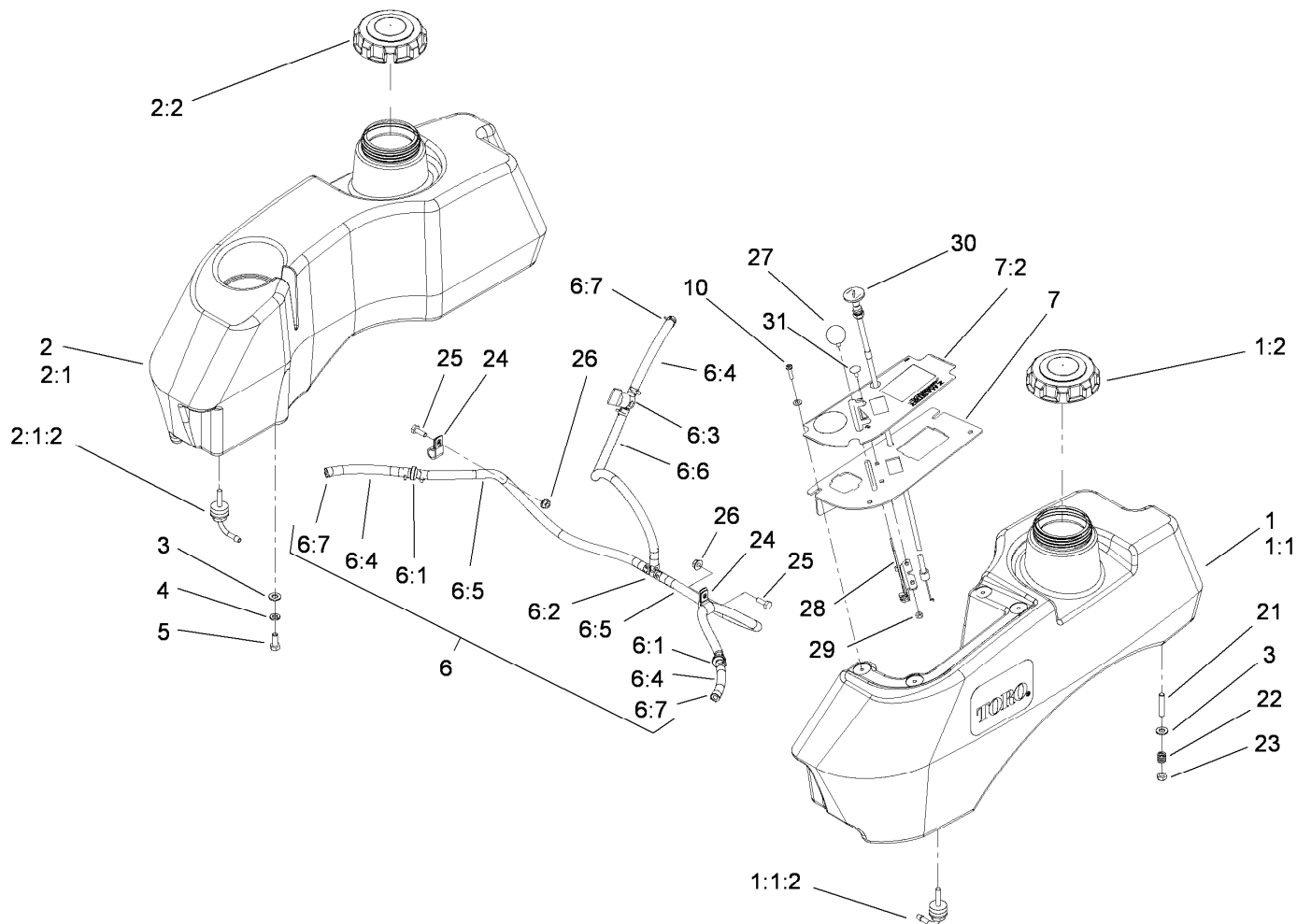
Ref.	Part Number	Qty.	Description
1	323-9	1	Screw-HH
2	32151-103	1	Ring-Retaining, EXT
3	3290-357	5	Nut-HHF, Whiz
4	3296-39	1	Nut-Lock, NI
5	117-0372	1	Plate-HOC, Inner
5:2	108-1050	1	Decal-Deck Height, Inner
6	1-633080	1	Bushing-Lever, Lift
7	117-0371	1	Plate-HOC, Outer
7:2	108-1051	1	Decal-Deck Height, Outer
9	323-6	1	Screw-HH
10	323-11	1	Screw-HH
11	1-633082	1	Bushing-Lever, Lift
12	110-5870	1	Deck Lift Handle ASM

Ref.	Part Number	Qty.	Description
12:1	1-633295	1	Grip-Lever, Lift
12:2	103-2078	1	Handle-Lift
12:3	106-6598	1	Lift Arm ASM
12:4	1-633325	1	Spring-Compression
12:5	3296-39	1	Nut-Lock, NI
12:6	3256-24	1	Washer-Flat
14	109-8757	1	Pin-HOC
15	302-19	1	Fitting-Grease
16	103-1918	2	Bushing
20	1-633068	2	Arm-Lift, Deck
21	323-29	2	Screw-HH
26	323-8	1	Screw-HH



Main Frame Assembly

<i>Ref.</i>	<i>Part Number</i>	<i>Qty.</i>	<i>Description</i>
1	1-513658	2	Bumper
2	108-1864	1	Panel ASM
2:2	98-4387	1	Decal-Protection, Ear
2:3	107-8445	1	Decal-Cover, Panel
5	322-5	2	Screw-HH
6	3256-23	2	Washer-Flat
8	322-3	3	Screw-HH
9	103-7935-03	1	Bracket-Panel, Instrument
10	32128-20	6	Nut-HF
13	108-5997	1	Console ASM
13:2	108-5995	1	Decal-Warning
24	109-2365	2	Bumper-Rubber (W/Stud)
25	114-4497	1	Main Frame ASM
25:2	65-2690	2	Decal-Surface, Hot
26	32128-33	2	Nut-HF
30	322-2	4	Screw-HH
32	3256-3	2	Washer-Flat
38	24-7922	2	Cover-Shaft, Drive
39	3296-2	2	Nut-Lock, NI
40	1-807513	2	Bolt-CARR

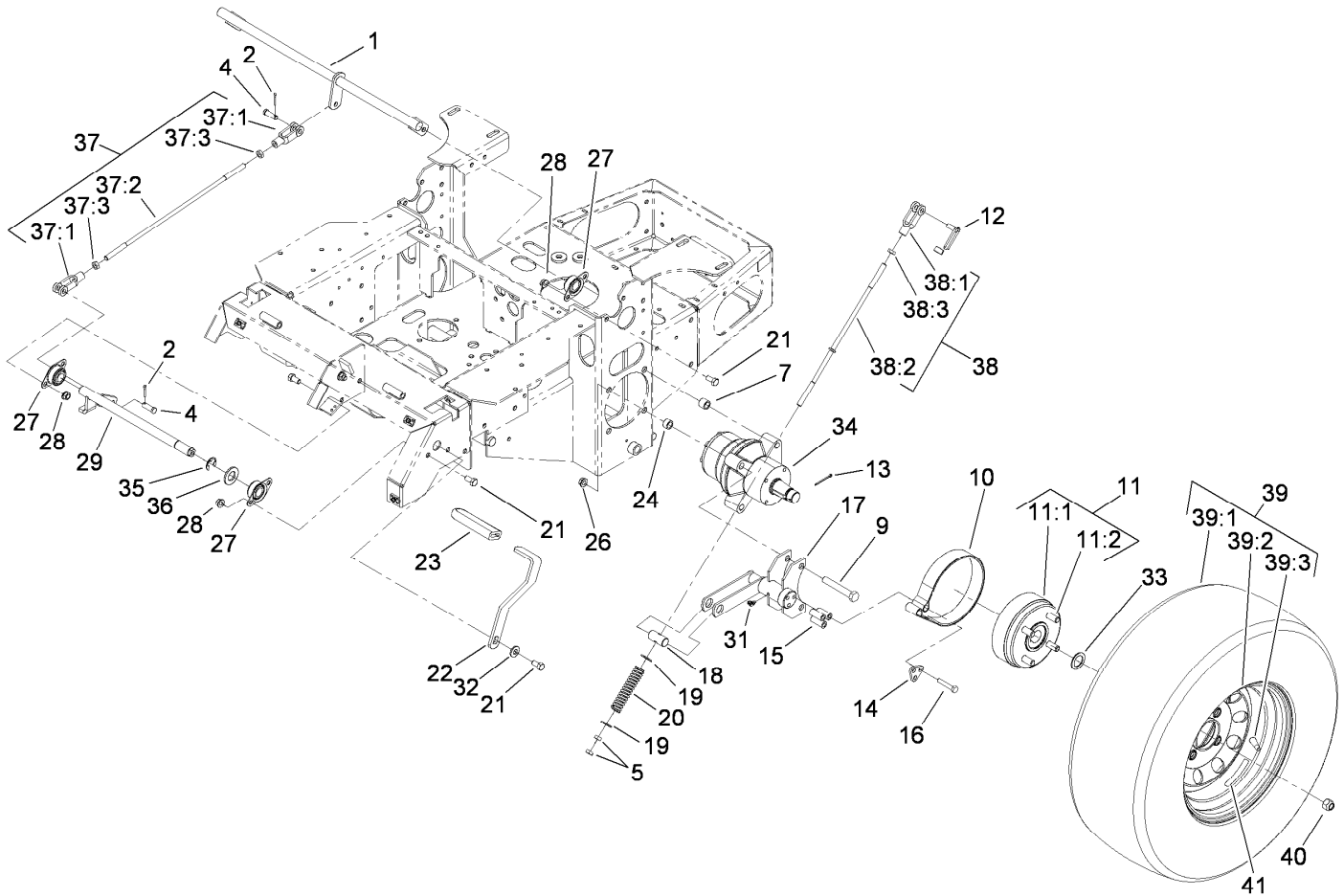


Fuel System Assembly

Ref.	Part Number	Qty.	Description
1	110-4165	1	LH Fuel Tank Service Kit
1:1		1	LH Fuel Tank ASM ●
1:1:2	103-2605	1	Fitting-Fuel, Bulkhead
1:2	109-0346	1	Cap-Fuel, Gas
2	105-3639	1	RH Fuel Tank Service Kit
2:1		1	RH Fuel Tank ASM ●
2:1:2	103-2605	1	Fitting-Fuel, Bulkhead
2:2	109-0346	1	Cap-Fuel, Gas
3	3256-23	8	Washer-Flat
4	1-805005	4	Washer-Lock
5	322-3	4	Screw-HH
6		1	Hose-Fuel ●
6:1	99-5000	2	Valve-Check, Fuel
6:2	99-5005	1	Fitting-Tee, Barbed
6:3	1-603770	1	Valve-Fuel
6:4	109-0678	3	Hose-Fuel
6:5	110-5701	2	Hose-Fuel

Ref.	Part Number	Qty.	Description
6:6	109-0297	1	Hose-Fuel
6:7	103-1716	12	Clamp-Hose
7	117-0906	1	Control Panel ASM
7:2	117-0904	1	Decal-Panel, Control
10	109-2661	4	Screw-PPH
21	1-633023	4	Stud
22	1-633349	4	Spring-Tank, Fuel
23	3296-47	4	Nut-Lock, NI
24	1-513762	2	Clip-Loom
25	321-4	2	Screw-HH
26	32128-33	2	Nut-HF
27	1-513592	1	Knob-Ball
28	1-633696	1	Throttle Cable ASM
29	3296-2	2	Nut-Lock, NI
30	114-4471	1	Control-Choke, Push / Pull
31	1-807513	2	Bolt-CARR

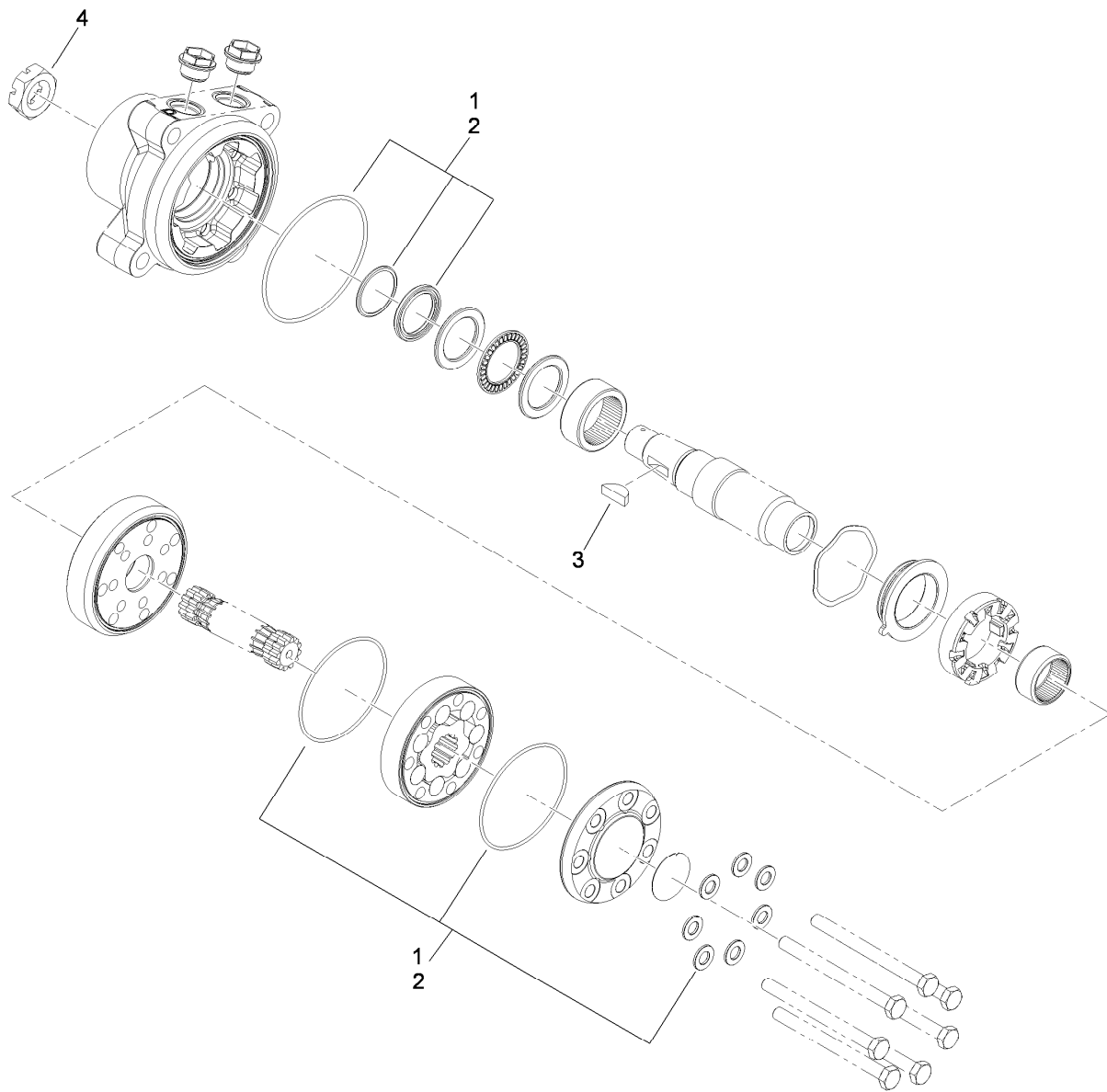
● Not serviced separately



Parking Brake Assembly

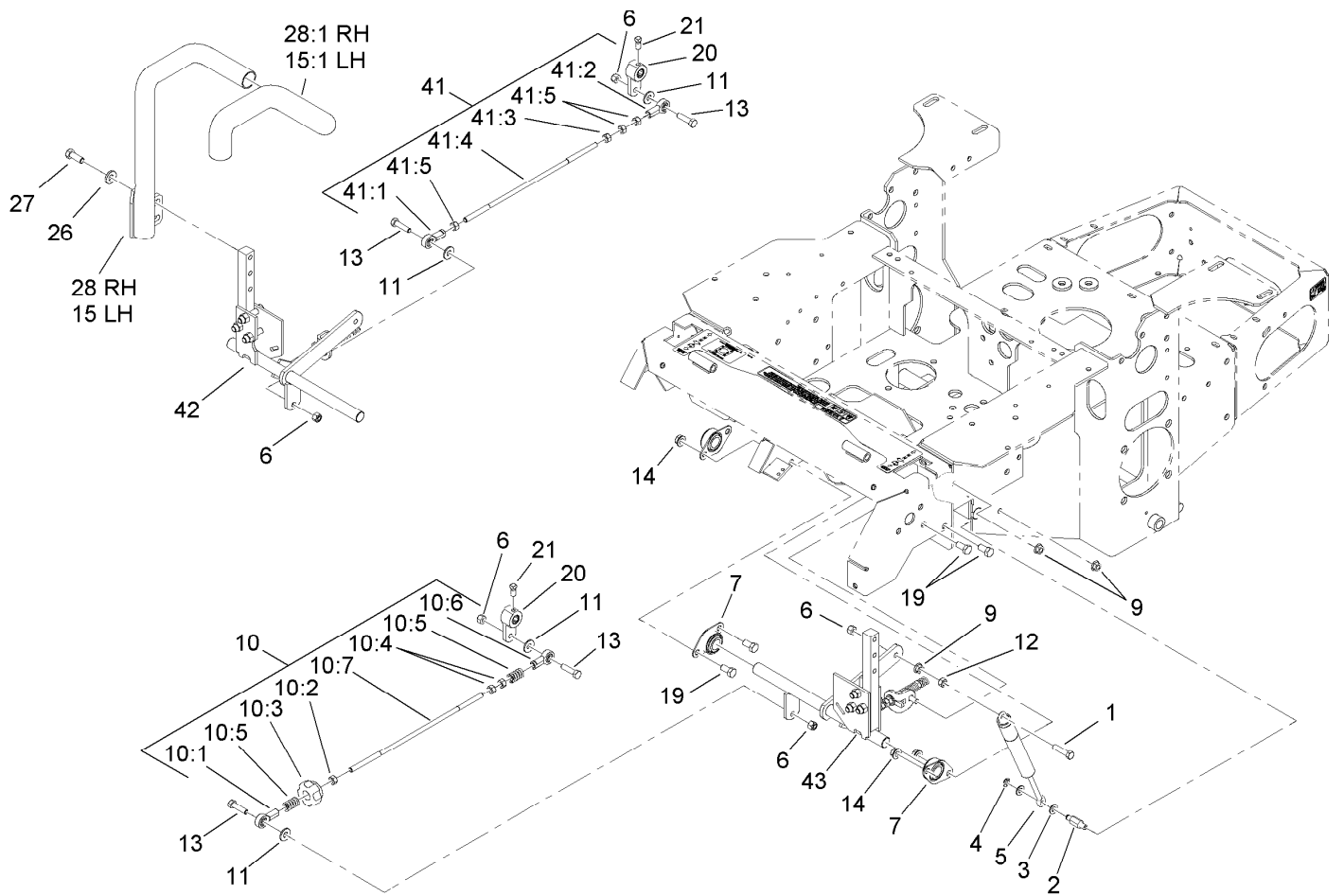
Ref.	Part Number	Qty.	Description
1	1-652073-03	1	Crank-Brake, Park
2	3272-10	2	Pin-Cotter
4	1-808285	2	Pin-Clevis
5	3219-3	4	Nut-Hex
7	1-653068	4	Spacer-Wheel
9	325-13	8	Screw-HH
10	103-0355	2	Band-Brake
11	103-0590	2	Hub And Wheel ASM
11:1	103-0589	1	Wheel Hub ASM
11:2	1-633926	4	Stud-Wheel
12	103-2399	2	Pin-Spring, Clevis
13	1-806800	2	Pin-Cotter
14	103-0374	2	Retainer-Band, Brake
15	103-0384	6	Spacer
16	322-9	6	Screw-HH
17	103-0352-03	2	Bracket-Brake
18	1-633144	2	Pin-Trunion
19	3256-4	4	Washer-Flat
20	1-633454	2	Spring-Brake
21	323-4	9	Screw-HH
22	1-653074-03	1	Handle-Brake, Park
23	1-633268	1	Grip-Lever, Brake
24	1-653069	4	Spacer-Wheel
26	32128-49	8	Nut-HHF

Ref.	Part Number	Qty.	Description
27	1-633102	4	Bearing-Flange, Side
28	3290-357	8	Nut-HHF, Whiz
29	103-3116	1	Shaft-Brake, Parking
31	1481	2	Fitting-Grease
32	98-5975	1	Washer-Belleville
33	1-523157	2	Washer-Spacer
34	103-5333	2	Motor-Wheel
35	32151-48	1	E-Ring
36	3256-28	1	Washer-Flat
37	103-4328	1	Brake Rod ASM
37:1	1-633131	2	Yoke-Linkage, Brake
37:2	1-653061	1	Linkage-Handle, Brake
37:3	3219-3	2	Nut-Hex
38	103-4329	2	Brake Rod ASM
38:1	1-633131	1	Yoke-Linkage, Brake
38:2	103-0356	1	Rod-Brake
38:3	3219-3	1	Nut-Hex
39	1-653159	2	Wheel And Tire ASM
39:1	1-653160	1	Tire
39:2	1-653161	1	Wheel
39:3	232-27	1	Stem-Valve
40	242-50	8	Nut-Lug
41	109-7949	2	Decal



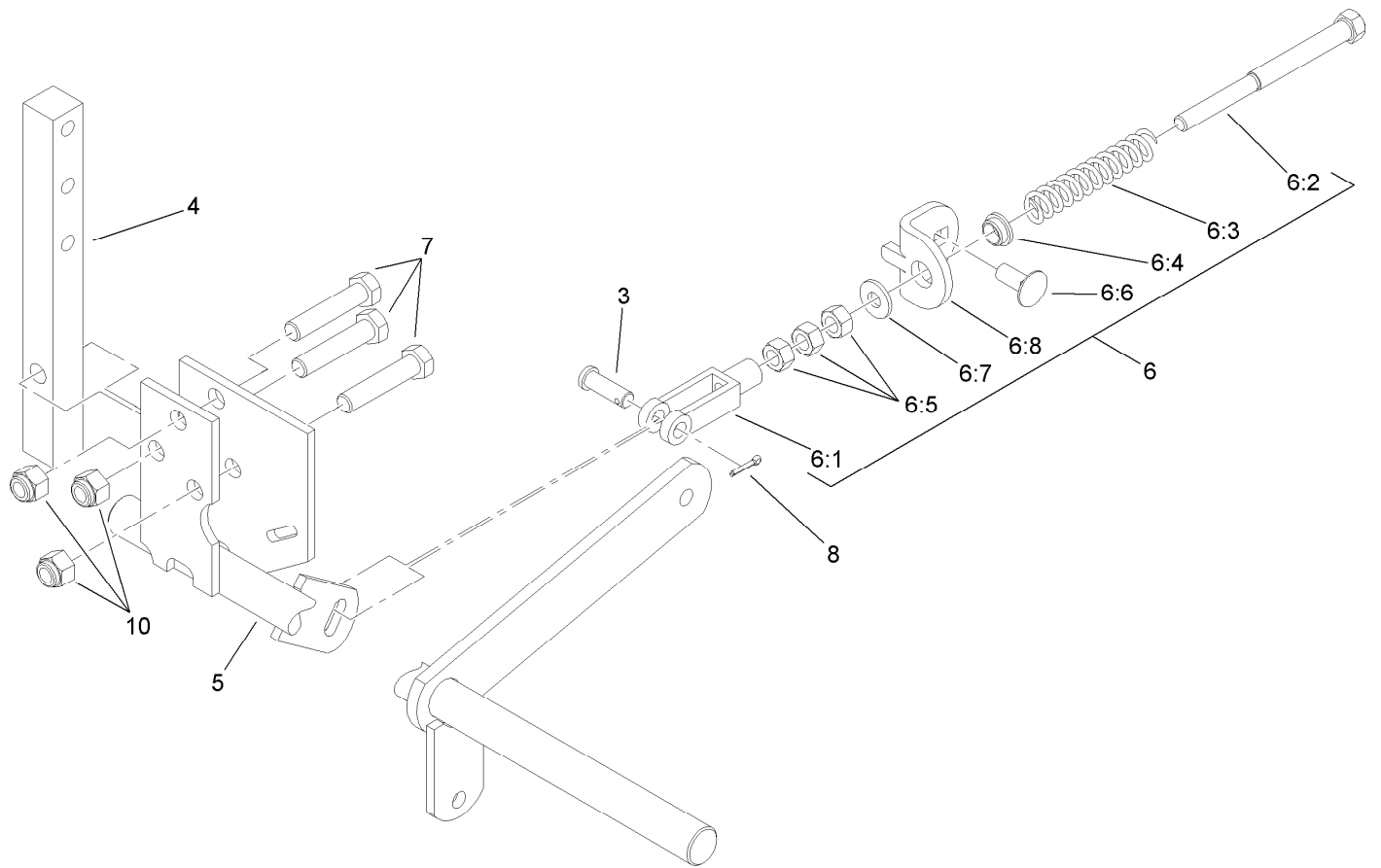
Hydraulic Motor Assembly No. 103-5333

<i>Ref.</i>	<i>Part Number</i>	<i>Qty.</i>	<i>Description</i>
1	109-5965	1	Wheel Motor Seal Kit
2	109-5966	1	Wheel Motor Seal Kit
3	3257-42	1	Key-Woodruff
4	1-809036	1	Nut-HH



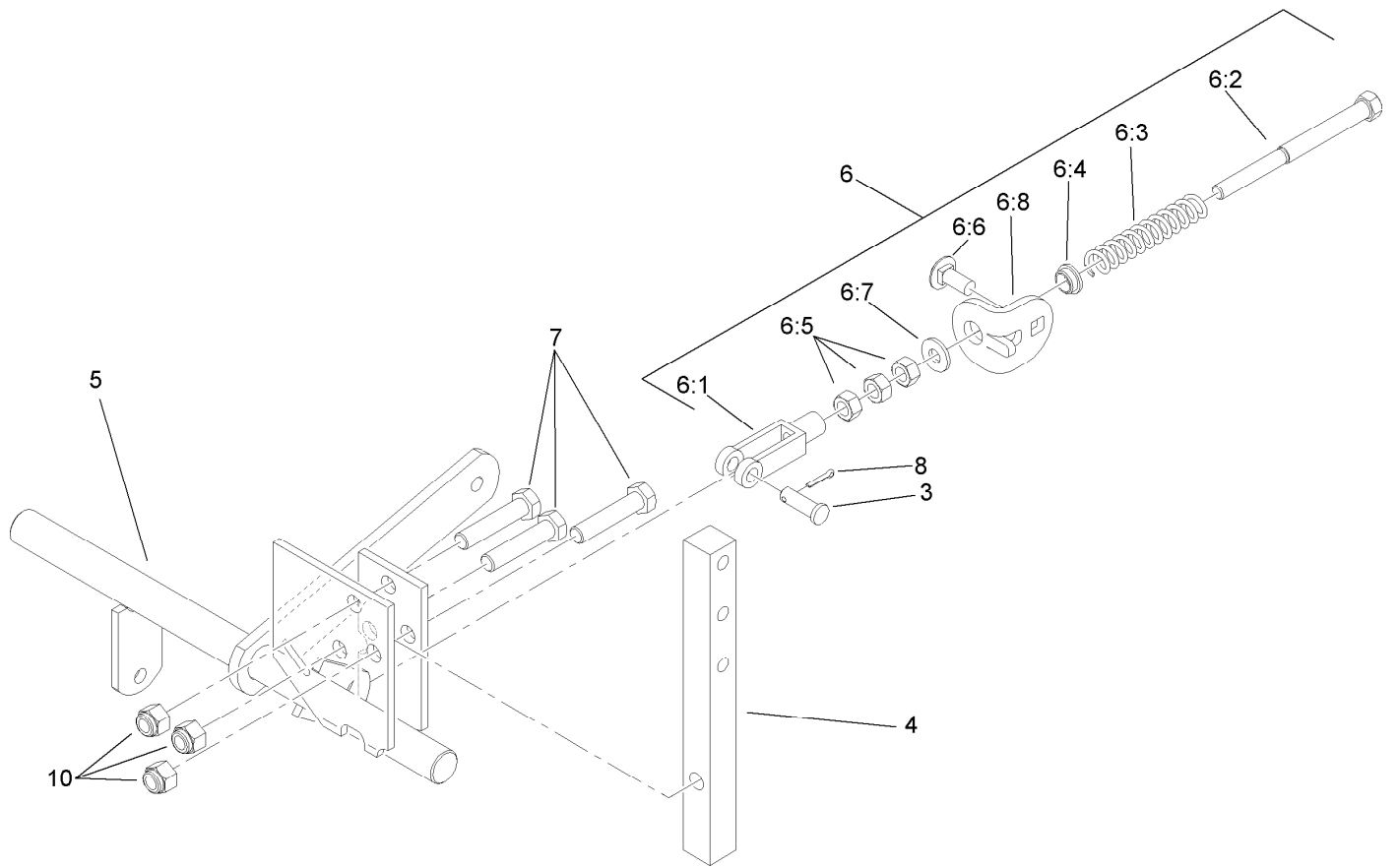
Motion Control Assembly

Ref.	Part Number	Qty.	Description	Ref.	Part Number	Qty.	Description
1	1-403180	2	Screw-HH	14	3290-357	6	Nut-HHF, Whiz
2	103-4101	2	Pin-Damper	15	108-7238	1	LH Lever ASM
3	3256-23	4	Washer-Flat	15:1	106-9987	1	Grip-Control, Motion
4	32120-35	2	Ring-Retaining, EXT	19	323-4	6	Screw-HH
5	109-2339	2	Damper-Control, Motion	20	103-3717	2	Arm-Control
6	3296-29	6	Nut-Lock, NI	21	1-803022	2	Screw-Set
7	1-633102	4	Bearing-Flange, Side	26	98-5975	4	Washer-Belleville
9	32128-20	10	Nut-HF	27	323-6	4	Screw-HH
10	103-4326	1	Tracking Rod ASM	28	108-7237	1	RH Lever ASM
10:1	1-543017	1	Balljoint-RH	28:1	106-9987	1	Grip-Control, Motion
10:2	3219-2	1	Nut-Hex	41	103-4327	1	Tracking ASM
10:3	103-3060	1	Knob-Tracking	41:1	1-543017	1	Balljoint-RH
10:4	1-804524	2	Nut	41:2	1-633152	1	Balljoint-LH
10:5	1-323245	2	Spring-Compression	41:3	1-804524	1	Nut
10:6	1-633152	1	Balljoint-LH	41:4	103-3066	1	Link-Rod, Tracking
10:7	103-3066	1	Link-Rod, Tracking	41:5	3219-2	3	Nut-Hex
11	3256-3	4	Washer-Flat	42	109-3911	1	RH Motion Control ASM
12	3217-6	2	Nut-Hex	43	109-3912	1	LH Motion Control ASM
13	322-6	4	Screw-HH				



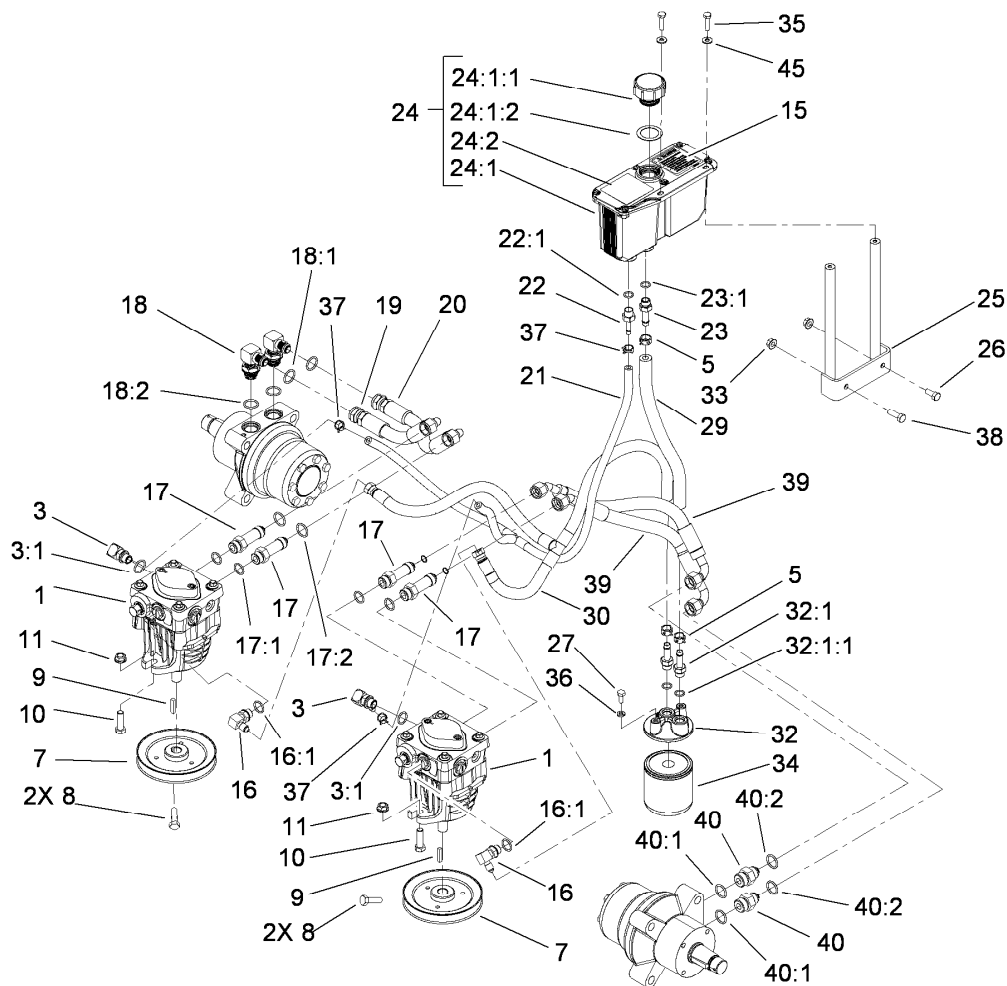
RH Motion Control Assembly No. 109-3911

<i>Ref.</i>	<i>Part Number</i>	<i>Qty.</i>	<i>Description</i>
3	1-808280	1	Pin-Clevis
4	103-0407	1	Arm-Shaft, Control
5	103-4773	1	Control-Motion, RH
6	109-3903	1	Neutral Return ASM
6:1	1-303105	1	Yoke-Adjustable
6:2	1-603737	1	Bolt-Return, Neutral
6:3	1-603807	1	Spring-Return, Neutral
6:4	109-3769	1	Bushing-Nylon, Flanged
6:5	3219-2	3	Nut-Hex
6:6	3230-23	1	Screw-CARR
6:7	3256-2	1	Washer-Flat
6:8	109-3908	1	Tab-Adjustment
7	323-9	3	Screw-HH
8	3272-5	1	Pin-Cotter
10	3296-39	3	Nut-Lock, NI



LH Motion Control Assembly No. 109-3912

<i>Ref.</i>	<i>Part Number</i>	<i>Qty.</i>	<i>Description</i>
3	1-808280	1	Pin-Clevis
4	103-0407	1	Arm-Shaft, Control
5	103-4774	1	Control-Motion, LH
6	109-3903	1	Neutral Return ASM
6:1	1-303105	1	Yoke-Adjustable
6:2	1-603737	1	Bolt-Return, Neutral
6:3	1-603807	1	Spring-Return, Neutral
6:4	109-3769	1	Bushing-Nylon, Flanged
6:5	3219-2	3	Nut-Hex
6:6	3230-23	1	Screw-CARR
6:7	3256-2	1	Washer-Flat
6:8	109-3908	1	Tab-Adjustment
7	323-9	3	Screw-HH
8	3272-5	1	Pin-Cotter
10	3296-39	3	Nut-Lock, NI

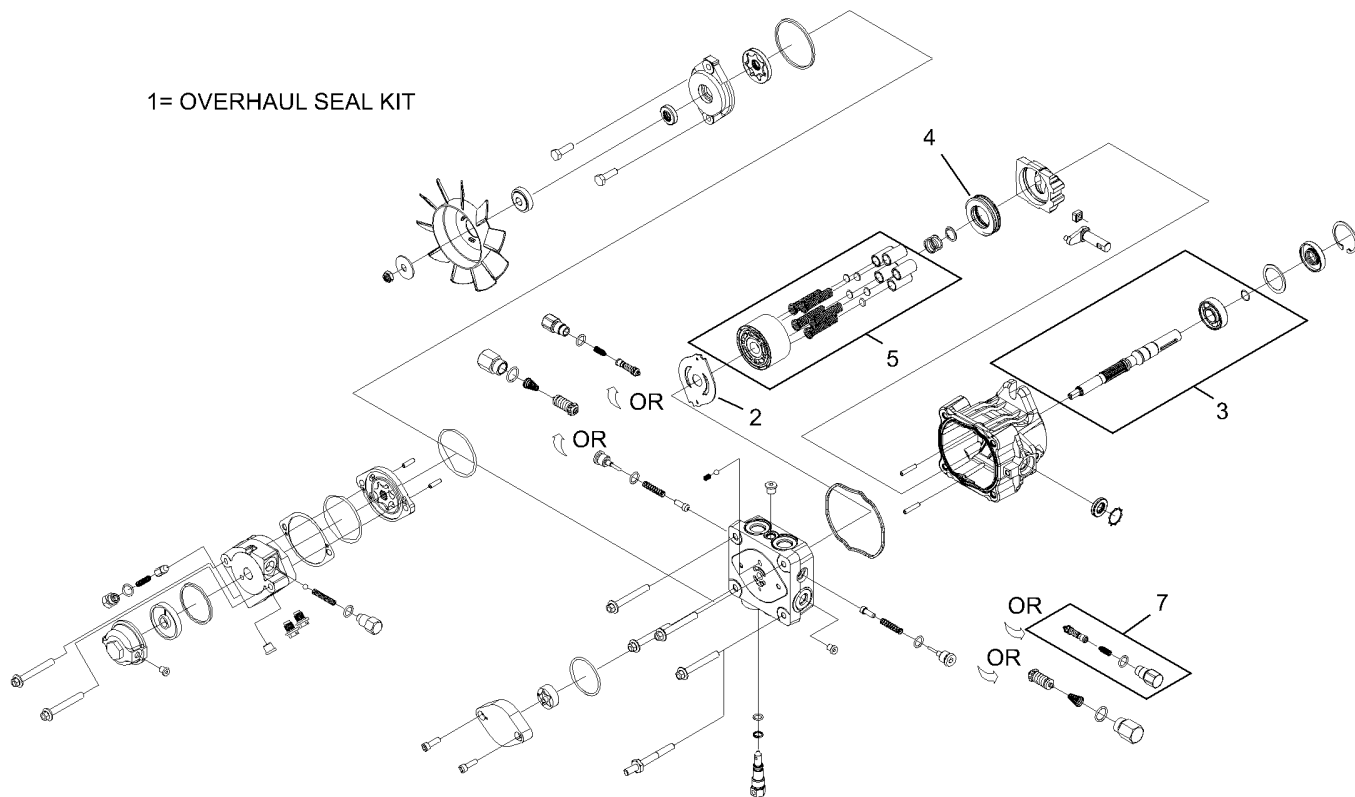


Hydraulic System Assembly

Ref.	Part Number	Qty.	Description	Ref.	Part Number	Qty.	Description
1	103-1942	2	Pump-HYD	24	103-1947	1	HYD Reservoir ASM
3	103-1799	2	Elbow-90 DEG	24:1		1	Reservoir-HYD ●
3:1	237-42	1	O-Ring	24:1:1	103-1948	1	Cap-Reservoir, HYD
5	103-1988	3	Clamp-Hose	24:1:2	103-1949	1	Gasket-Cap
7	1-653156	2	Pulley	24:2	1-523552	1	Decal-Tank, HYD
8	1-803050	4	Screw-Set	25	103-3071-03	1	Stand-Reservoir
9	1-807272	2	Key	26	322-3	1	Screw-HH
10	323-7	4	Screw-HH	27	321-3	2	Screw-HH
11	3290-357	4	Nut-HHF, Whiz	29	103-3077	1	HYD Hose ASM
15	103-2644	1	Decal-Exhaust	30	103-2930	1	HYD Hose ASM
16	103-1802	2	Fitting-HYD, 90 DEG	32	103-2889	1	Filter Head ASM
16:1	1-603921	1	O-Ring	32:1	103-1912	2	Adapter-Straight
17	103-1940	4	Adapter-HYD, Straight	32:1:1	237-42	1	O-Ring
17:1	237-79	1	O-Ring	33	32128-20	2	Nut-HF
17:2	1-603992	1	O-Ring	34	1-633750	1	Filter-Oil, HYD
18	1-633605	2	Fitting-HYD, 90 DEG	34	1-633752	1	Filter-HYD, Winter
18:1	1-603992	1	O-Ring	35	321-6	2	Screw-HH
18:2	237-80	1	O-Ring	36	1-805004	2	Washer-Lock
19	1-653186	1	Hose-Front	37	103-1716	3	Clamp-Hose
20	1-653187	1	Hose-Rear, RH	38	322-5	1	Screw-HH
21	103-2357	1	HYD Hose ASM	39	103-3809	2	Hose-LH
22	103-1801	1	Adapter-Straight	40	1-603991	2	Fitting-Straight
22:1	237-42	1	O-Ring	40:1	237-80	1	O-Ring
23	103-1912	1	Adapter-Straight	40:2	1-603992	1	O-Ring
23:1	237-42	1	O-Ring	45	3256-22	2	Washer-Flat

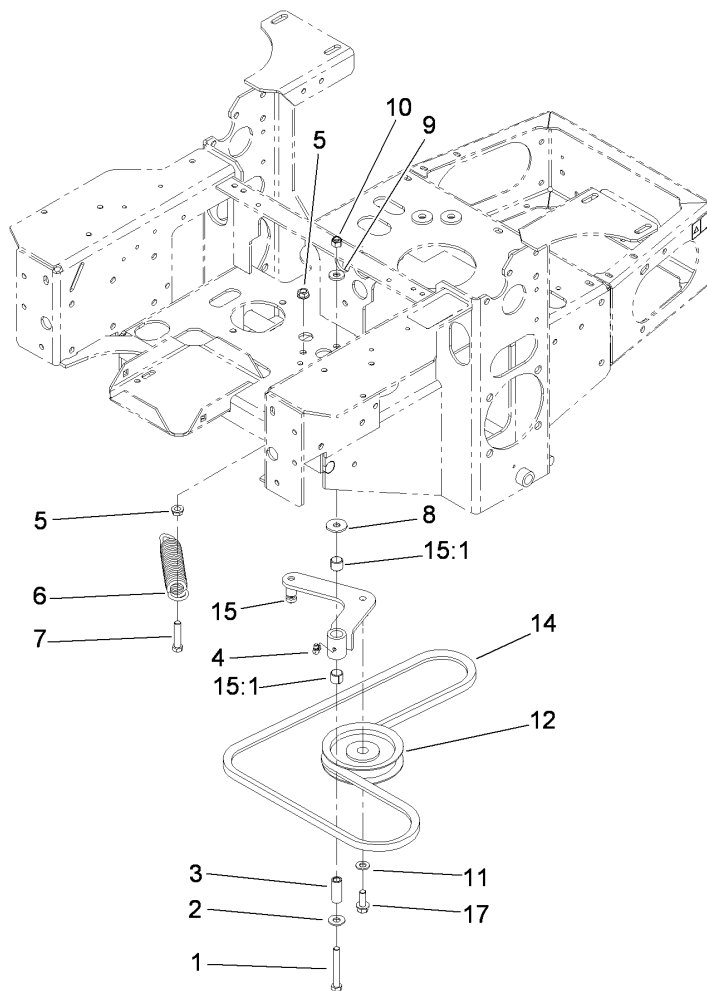
● Not serviced separately

1= OVERHAUL SEAL KIT



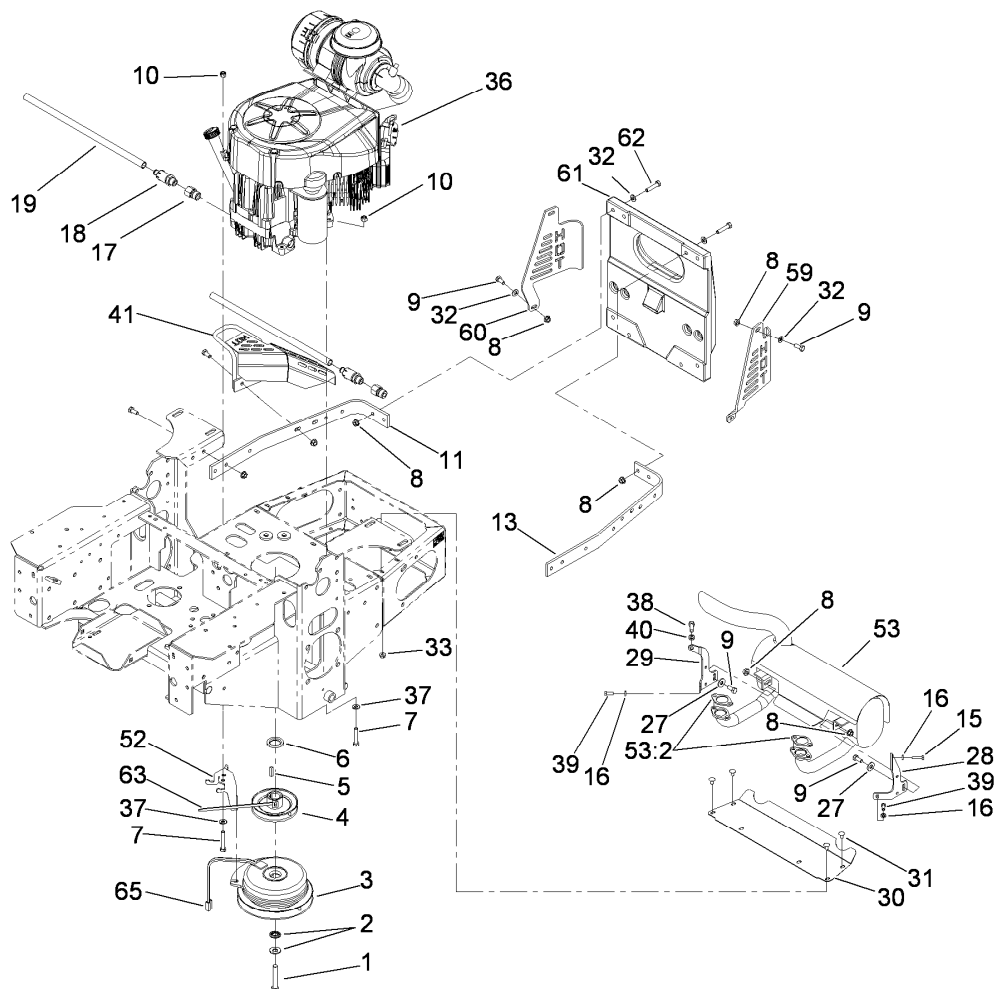
Hydraulic Pump Assembly No. 103-1942

<i>Ref.</i>	<i>Part Number</i>	<i>Qty.</i>	<i>Description</i>
1	105-6184	1	Seal Overhaul Kit
2	105-6185	1	Plate-Valve
3	103-2664	1	Input Shaft Kit
4	94-6922	1	Bearing-Thrust
5	103-2666	1	Cylinder Block Kit
7	106-2053	1	Shock Valve Kit



Pump Idler and Belt Assembly

<i>Ref.</i>	<i>Part Number</i>	<i>Qty.</i>	<i>Description</i>
1	323-13	1	Screw-HH
2	3256-4	1	Washer-Flat
3	1-603044	1	Bushing
4	302-40	1	Fitting-Grease
5	3290-357	2	Nut-HHF, Whiz
6	116-0032	1	Spring-Extension
7	323-9	1	Screw-HH
8	63-8410	1	Washer
9	98-5975	1	Washer-Belleville
10	3296-39	1	Nut-Lock, NI
11	3256-24	1	Washer-Flat
12	1-603843	1	Pulley-Idler
14	107-3960	1	Belt
15	103-4482	1	Idler Arm ASM
15:1	103-4681	2	Sleeve-Bearing
17	3234-11	1	Screw-HHF



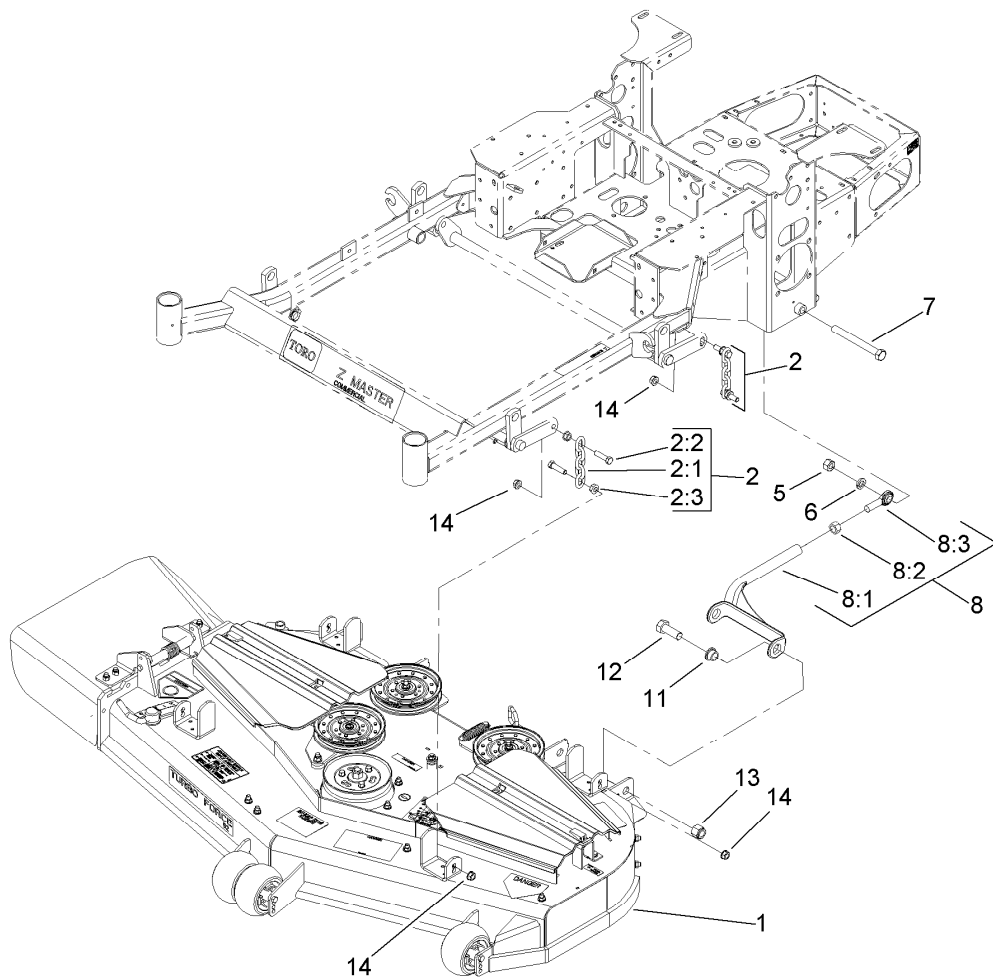
Engine, Clutch and Muffler Assembly

Ref.	Part Number	Qty.	Description
1	3212-12	1	Screw-HH
2	1-603610	2	Washer-Spring
3	109-9276	1	Clutch Kit
4	103-3913	1	Pulley
5	1-807259	1	Key
6	103-2308	1	Spacer-Crankshaft
7	322-10	4	Screw-HH
8	32128-20	29	Nut-HF
9	322-5	15	Screw-HH
10	3296-29	4	Nut-Lock, NI
11	103-3078-03	1	Strap-Guard, RH
13	103-3164-03	1	Strap-Guard, LH
15	33113-025	1	Screw-HH
16	1-805004	3	Washer-Lock
17	103-1966	1	Adapter
18	92-6877	1	Valve-Drain, Oil
19	106-7022	1	Tube-Drain, Oil
27	3256-3	3	Washer-Flat
28	103-2993-03	1	Bracket-Muffler, LH
29	103-2994-03	1	Bracket-Muffler, RH

Ref.	Part Number	Qty.	Description
30	103-2740-03	1	Deflector-Short
31	3229-10	4	Screw-CARR
32	3256-23	12	Washer-Flat
33	32128-33	4	Nut-HF
36		1	Engine-Kawasaki, FH641V-Ds19 ●■
37	1-303334	4	Washer-Spring
38	33114-025	1	Screw-HH
39	33113-016	2	Screw-HH
40	1-805005	1	Washer-Lock
41	103-3218-03	1	Guard-Tailpipe
52	109-7070-03	1	Anchor-Clutch
53	103-3427	1	Muffler Kit
53:2	1-653313	2	Gasket-Exhaust
59	103-3287-03	1	Guard-Muffler, LH
60	103-3288-03	1	Guard-Muffler, RH
61	107-8421-03	1	Weight-Notched, 60 Lb
62	322-7	8	Screw-HH
63	1-303335	1	Tie-Plastic
65	109-9274	1	Harness-Clutch

● Not serviced separately

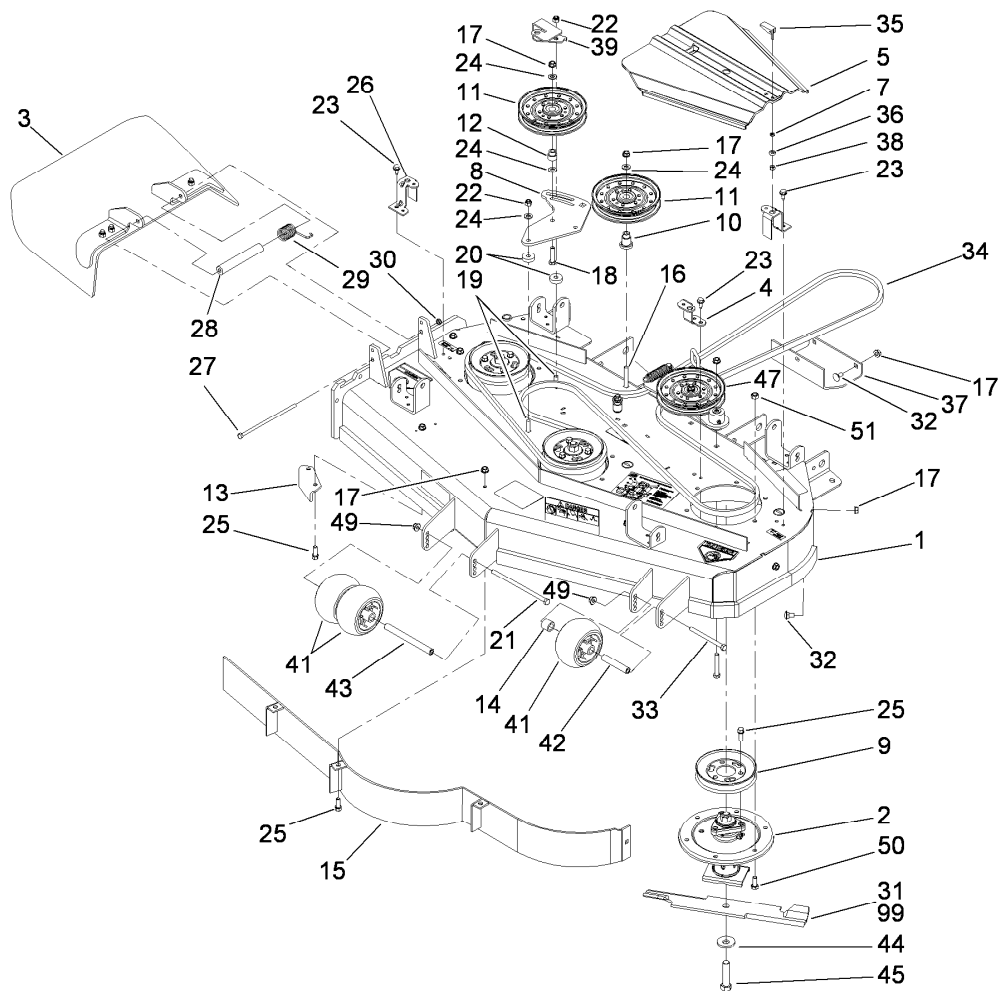
■ Obtain parts from www.kawpowerepc.com



Deck Connection Assembly

Ref.	Part Number	Qty.	Description
1		1	Deck ASM ●
2	103-9792	4	Deck Chain ASM
2:1	1-633447	1	Chain-Lift, Deck
2:2	103-1898	2	Screw-HH
2:3	32128-37	2	Nut-HF
5	3217-11	2	Nut-Hex
6	3253-8	2	Washer-Lock
7	1-800344	2	Screw
8	108-7768	2	Strut ASM
8:1	108-7753-03	1	Strut-Deck
8:2	3219-6	1	Nut-Hex
8:3	1-633029	1	Balljoint-Spherical
11	93-2877	4	Bushing
12	328-24	4	Screw-HH
13	3296-51	4	Nut-Lock, NI
14	32128-37	8	Nut-HF

● Not serviced separately

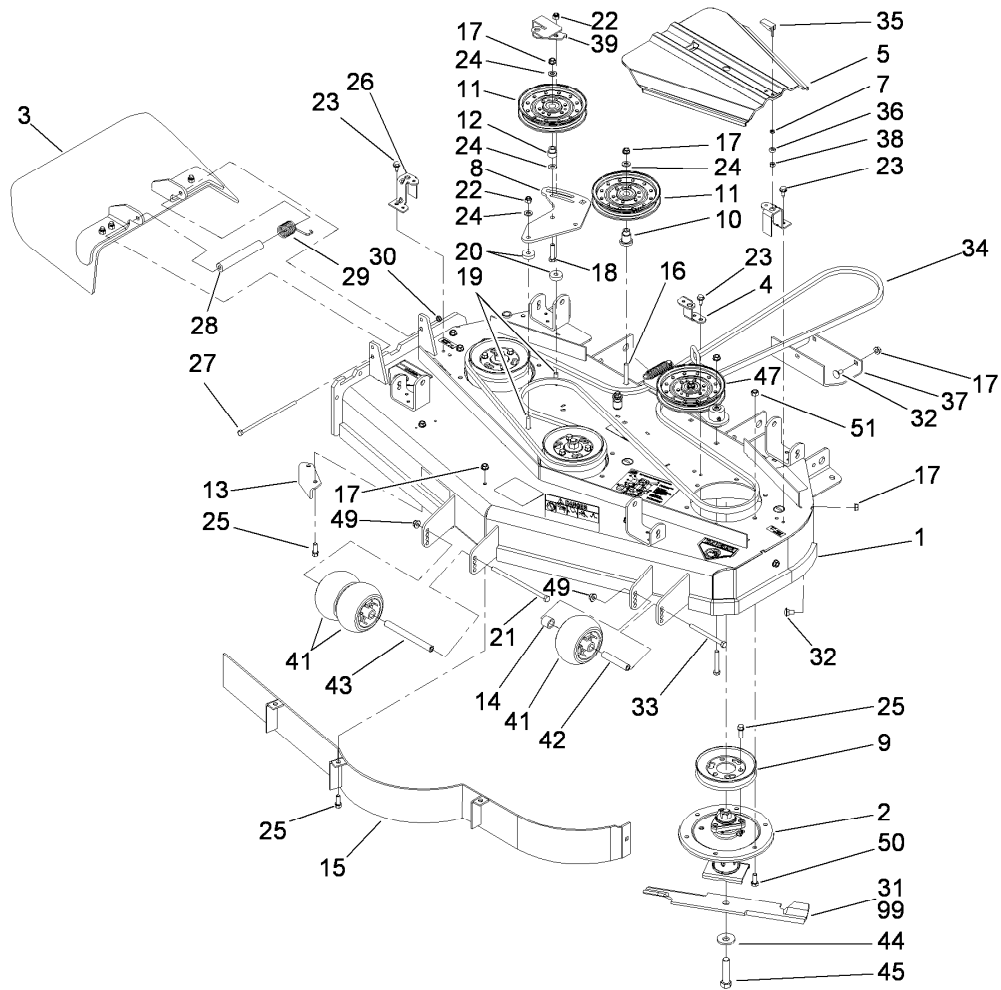


Deck Assembly

Ref.	Part Number	Qty.	Description	Ref.	Part Number	Qty.	Description
1	114-4446	1	Deck Decal ASM	28	105-4622	1	Spacer
2	107-8504	3	Spindle ASM	29	108-4052	1	Spring-Torsion
3	108-7770	1	Rubber Deflector ASM	30	3296-47	1	Nut-Lock, NI
4	108-2177-01	1	Bracket-Cover, Tall	31	107-3192-03	3	Blade-16.5 Inch (High Flow)
5	112-8665	2	Cover-Belt	32	3231-1	7	Screw-CARR
7	99-3058	2	Washer	33	323-23	1	Screw-HH
8	107-8516-01	1	Plate-Idler	34	114-8154	1	Belt-V
9	107-1684	3	Pulley	35	106-6777	2	Handle-Latch, Swell
10	106-3214	1	Mount-Pulley	36	106-6778	2	Bushing-Latch, Swell
11	1-633109	2	Idler-Flat	37	107-3166-01	1	Skid
12	1-603496	1	Bushing-Idler	38	1-804254	2	Nut
13	107-8541-01	1	Baffle-Discharge	39	108-2228-01	1	Bracket-Cover
14	98-7913	1	Tube-Spacer	41	1-603299	3	Roller-Scalp, Anti
15	108-2187-01	1	Baffle ASM	42	98-7912	1	Tube-Spanner
16	3231-31	1	Screw-CARR	43	98-5967	1	Spacer-Wheel
17	3290-357	14	Nut-HHF, Whiz	44	103-0865	3	Washer-Blade Bolt, Heavy
18	323-9	1	Screw-HH	45	103-0862	3	Screw-Cap
19	3231-4	2	Screw-CARR	47		1	Spring Idler ASM ■
20	105-7788	2	Spacer	49	104-8301	2	Nut-Flange, NI
21	108-5388	1	Screw-HH	50	33115-025	18	Screw-HH
22	3296-39	2	Nut-Lock, NI	51	33025-00	18	Nut-Lock
23	32144-70	3	Screw-HWHTF	99	107-3195-03	3	Blade-Rotary, 16.5 Inch (Atomic) ●
24	3256-24	4	Washer-Flat	99	107-3194-03	3	Blade-Rotary, 16.5 Inch (Med Flow) ●
25	92-1624	14	Screw-HWH				
26	108-4121-01	2	Bracket-Cover				
27	322-50	1	Screw-HH				

● Optional Equipment

■ Not serviced separately

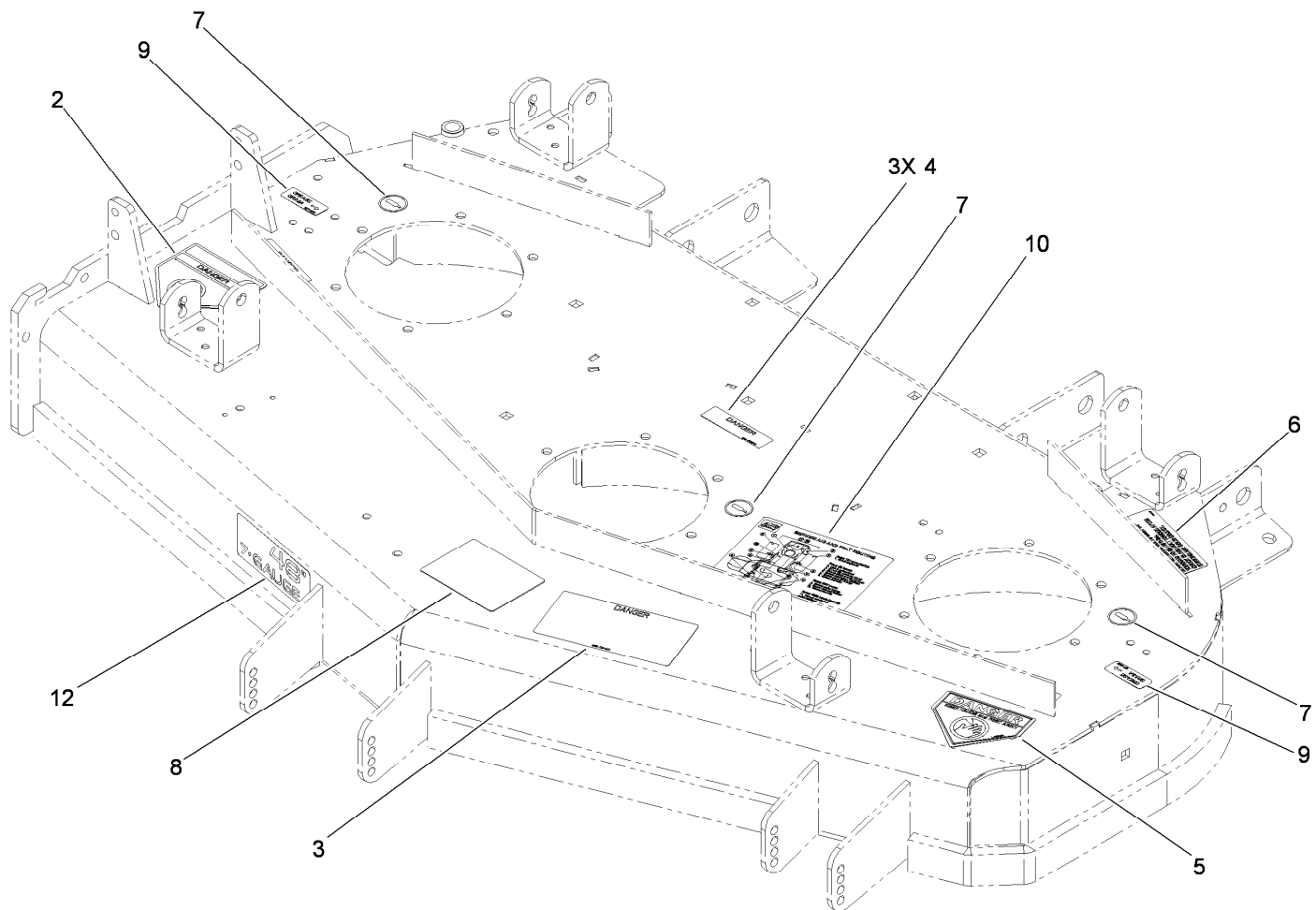


Deck Assembly (continued)

<i>Ref.</i>	<i>Part Number</i>	<i>Qty.</i>	<i>Description</i>
99	107-3193-03	3	Blade-Rotary, 16.5 Inch (Low Flow) ●
99	107-3196-03	3	Blade-Recycler, 16.5 Inch ●

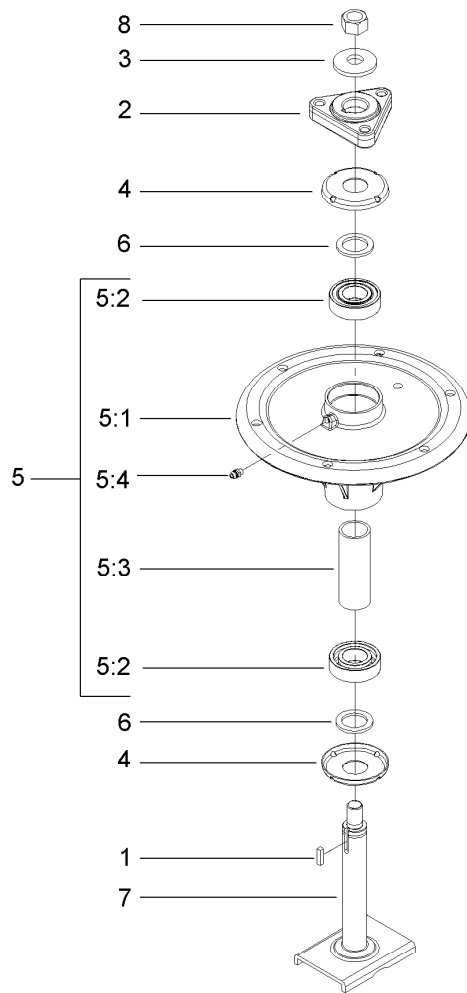
● Optional Equipment

■ Not serviced separately



Deck Decal Assembly

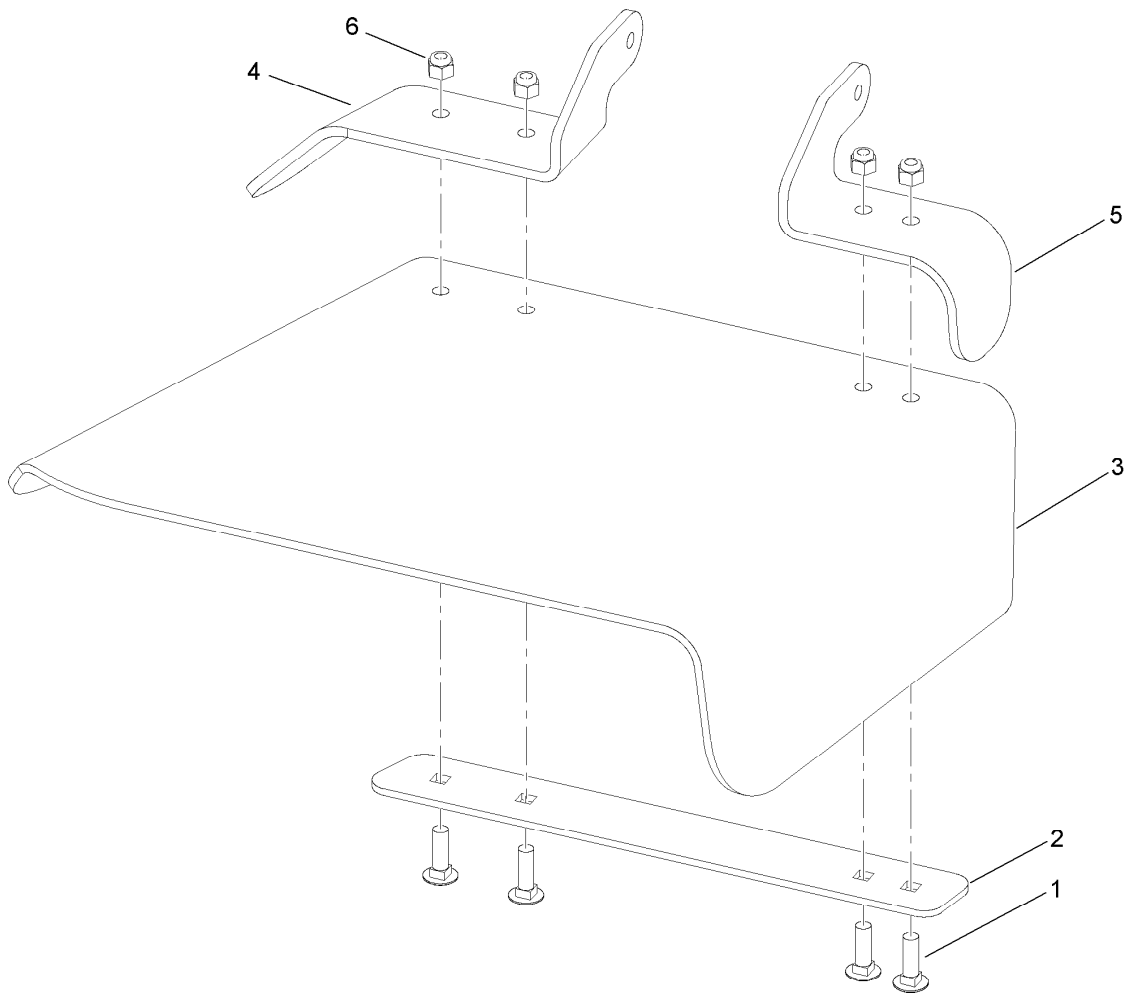
<i>Ref.</i>	<i>Part Number</i>	<i>Qty.</i>	<i>Description</i>
2	54-9220	1	Decal-Danger
3	66-1340	1	Decal-Danger, Thrown Object
4	98-5954	3	Decal-Cover, Missing
5	1-403005	1	Decal-Danger
6	68-8340	1	Decal-Torque
7	58-6520	3	Decal-Grease
8	105-7798	1	Decal-Scalp, Anti
9	107-1613	3	Decal-Grease
10	117-3821	1	Decal-Aid, Service
12	107-1695	1	Decal



Spindle Assembly No. 107-8504

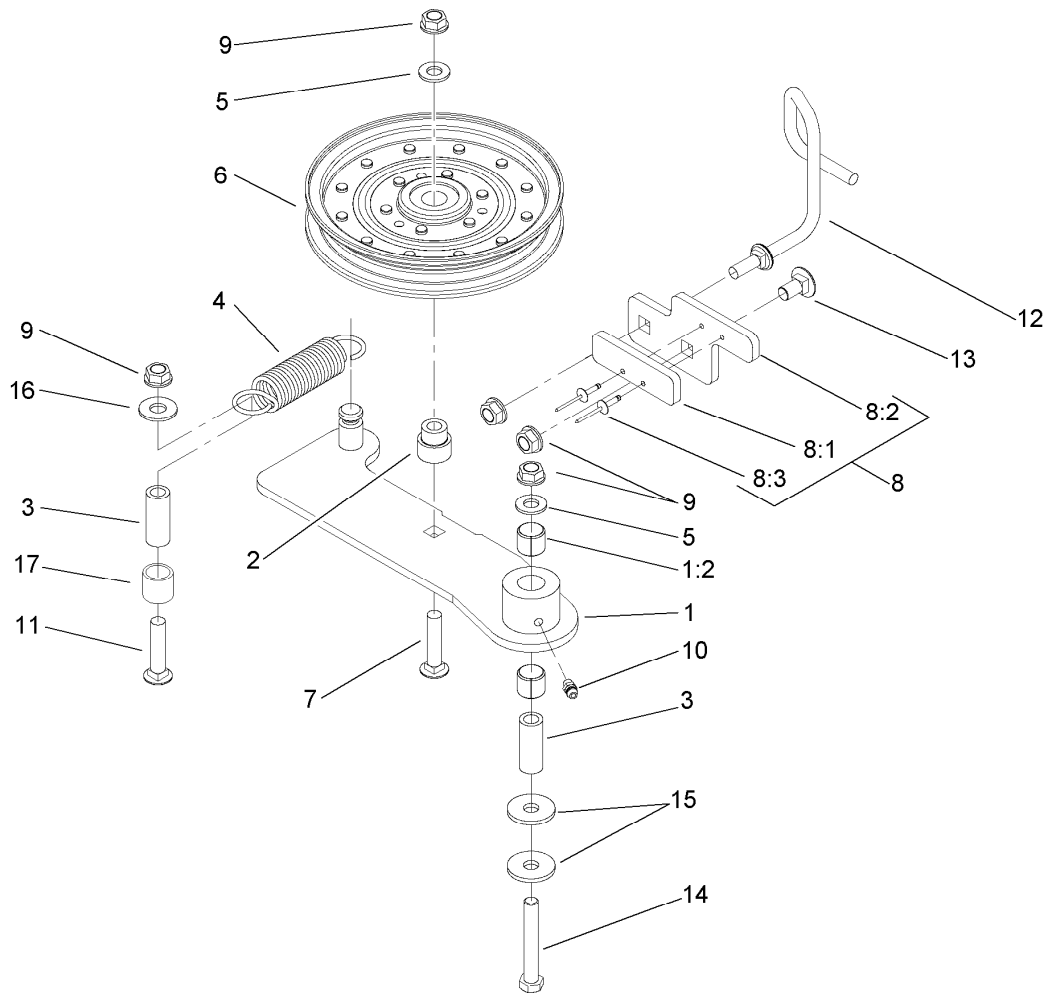
<i>Ref.</i>	<i>Part Number</i>	<i>Qty.</i>	<i>Description</i>
1	10-8040	1	Key-Square
2	106-3277	1	Hub-Pulley
3	103-0865	1	Washer-Blade Bolt, Heavy
4	106-3204	2	Shield-Bearing
5		1	Spindle Bearing ASM ●
5:1	106-3211	1	Housing-Spindle
5:2	113514	2	Bearing-Ball
5:3	107-8502	1	Spacer-Bearing
5:4	302-5	1	Fitting-Grease
6	3-8514	2	Washer-Thrust
7	107-8501	1	Spindle ASM
8	3219-6	1	Nut-Hex

● Not serviced separately



Rubber Deflector Assembly No. 108-7770

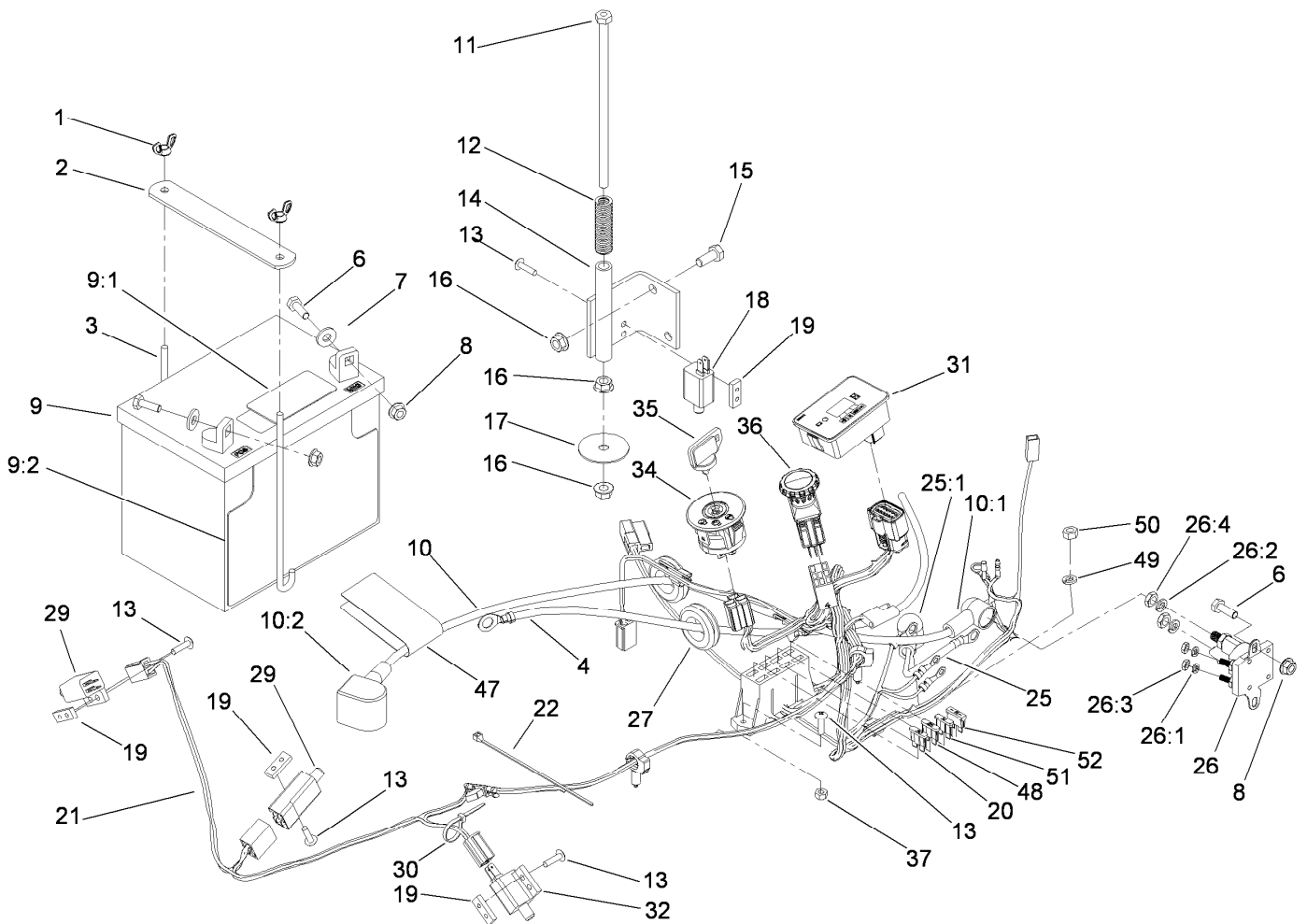
<i>Ref.</i>	<i>Part Number</i>	<i>Qty.</i>	<i>Description</i>
1	3231-25	4	Screw-CARR
2	106-3248-03	1	Strap-Discharge
3	108-5029	1	Deflector-Rubber
4	108-7767-03	1	Bracket-Hinge, Rear
5	108-7766-03	1	Bracket-Hinge, Front
6	3296-39	4	Nut-Lock, NI



Idler Assembly

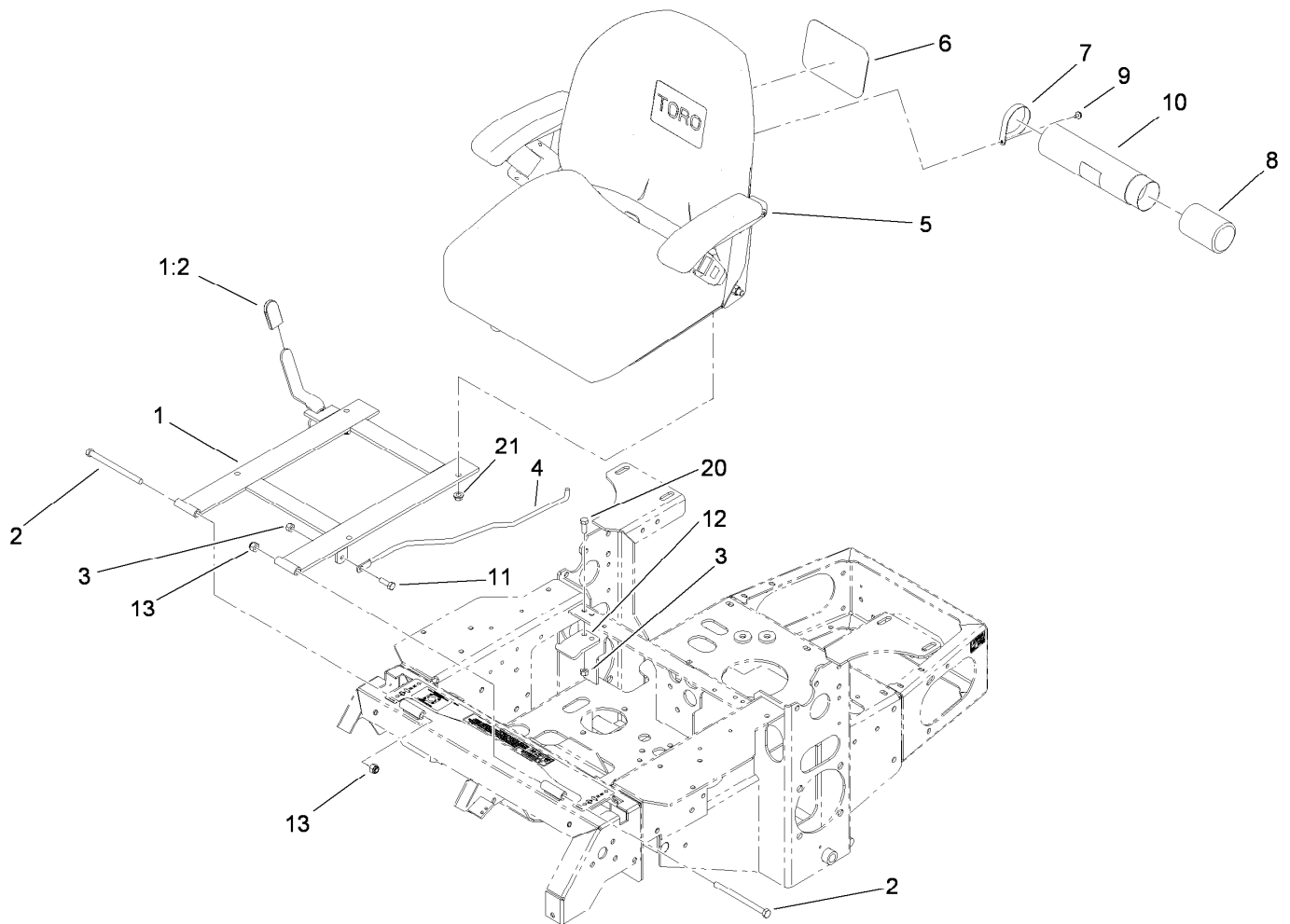
<i>Ref.</i>	<i>Part Number</i>	<i>Qty.</i>	<i>Description</i>
1	108-4062	1	Idler Arm ASM
1:2	103-4681	2	Sleeve-Bearing
2	1-603496	1	Bushing-Idler
3	1-603044	2	Bushing
4	108-4056	1	Spring-Extension
5	3256-24	2	Washer-Flat
6	1-633109	1	Idler-Flat
7	3231-6	1	Screw-CARR
8		1	Stop Pad ASM ●
8:1	106-3229	1	Pad-Bumper
8:2	107-1697-01	1	Plate-Stop
8:3	3269-24	2	Rivet
9	3290-357	5	Nut-HHF, Whiz
10	302-5	1	Fitting-Grease
11	3231-31	1	Screw-CARR
12	108-4072	1	Guide-Belt
13	3231-1	1	Screw-CARR
14	323-12	1	Screw-HH
15	2844	2	Washer
16	3256-4	1	Washer-Flat
17	108-4063	1	Spacer-Rubber

● Not serviced separately



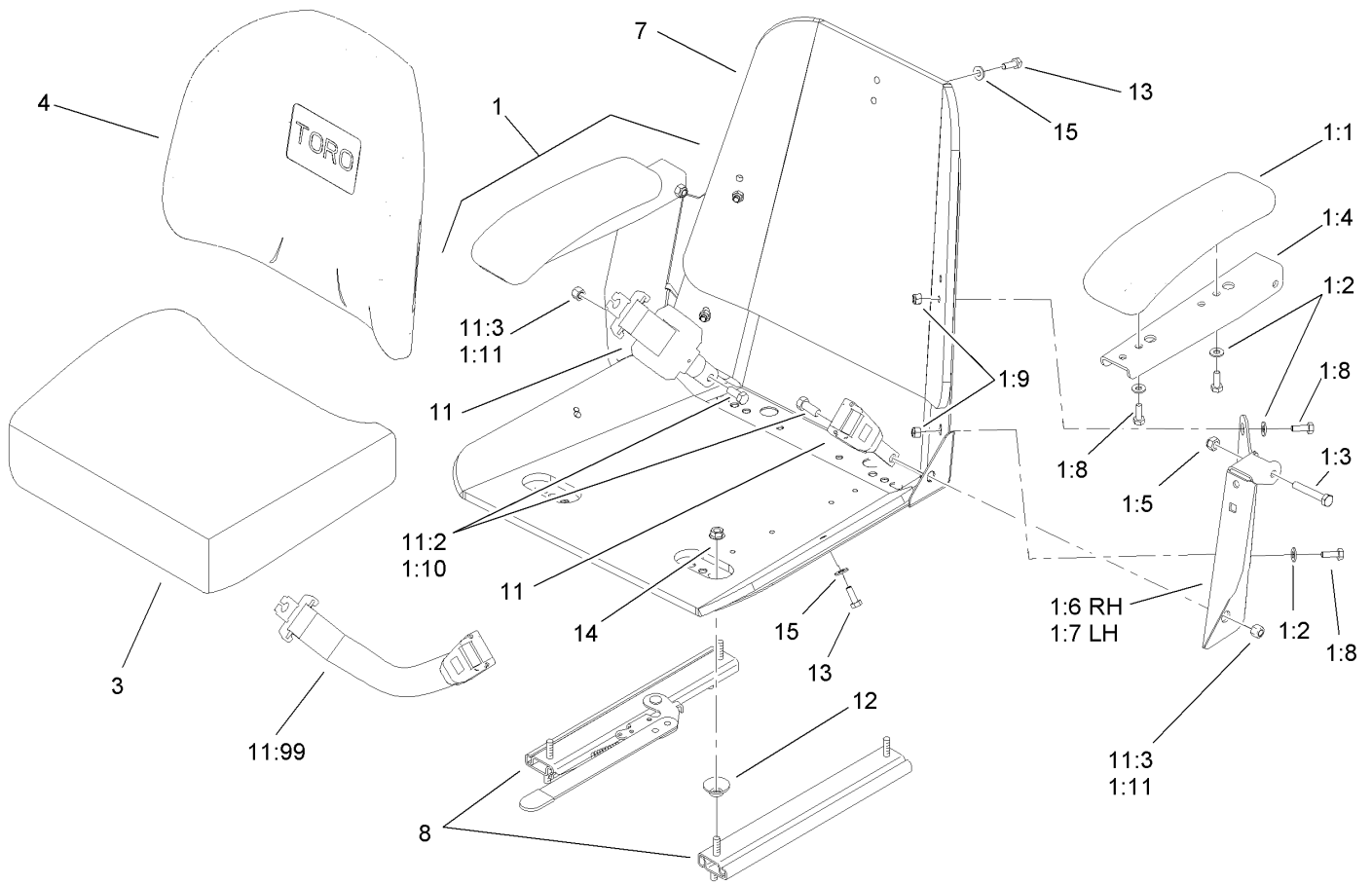
Electrical System Assembly

<i>Ref.</i>	<i>Part Number</i>	<i>Qty.</i>	<i>Description</i>	<i>Ref.</i>	<i>Part Number</i>	<i>Qty.</i>	<i>Description</i>
1	1-543792	2	Wingnut	22	1-303287	3	Tie-Plastic
2	107-9277-03	1	Strap-Holddown, Battery	25	109-7620	1	Positive Starter Cable ASM
3	1-633651	2	Bolt-Holddown	25:1	1-543393	2	Insulator-Solenoid
4	103-0705	1	Cable-Ground, Negative	26	1-513075	1	Switch-Solenoid
6	321-4	4	Screw-HH	26:1	3253-17	2	Washer-Lock
7	3256-2	2	Washer-Flat	26:2	3253-4	2	Washer-Lock
8	32128-33	4	Nut-HF	26:3	3219-14	2	Nut-Hex
9	105-1692	1	Battery	26:4	3220-2	2	Nut-Jam
9:1	104-4163	1	Decal-Battery	27	1-543286	2	Grommet
9:2	104-4164	1	Decal-Battery	29	1-513051	2	Switch-Open, Normally
10	109-7621	1	Positive Battery Cable ASM	30	1-303335	4	Tie-Plastic
10:1	1-543393	1	Insulator-Solenoid	31	112-8650	1	Hour Meter ASM
10:2	109-2407	1	Insulator-Battery	32	1-633111	1	Switch
11	1-800282	1	Screw-HH	34	116-0050	1	Switch-Ignition
12	1-523415	1	Spring-Switch, Seat	35	63-8360	2	Key-Ignition
13	1-803075	10	Screw-Head, Truss	36	116-0124	1	Switch-PTO, 10A
14	1-652072-03	1	Bracket-Switch, Seat	37	3296-2	2	Nut-Lock, NI
15	322-3	2	Screw-HH	47	107-9309	1	Decal-Instructions, Charging
16	32128-20	4	Nut-HF	48	109102	1	Fuse-25 Amp
17	1-653036	1	Washer	49	1-805004	1	Washer-Lock
18	1-513152	1	Switch-Closed, Normally	50	3217-5	1	Nut-Hex
19	1-633181	4	Plate-Tapped	51	218-578	1	Fuse-10 Amp
20	109103	1	Fuse-30 Amp	52	109355	1	Fuse-15 Amp
21	114-4444	1	Harness-Electrical				



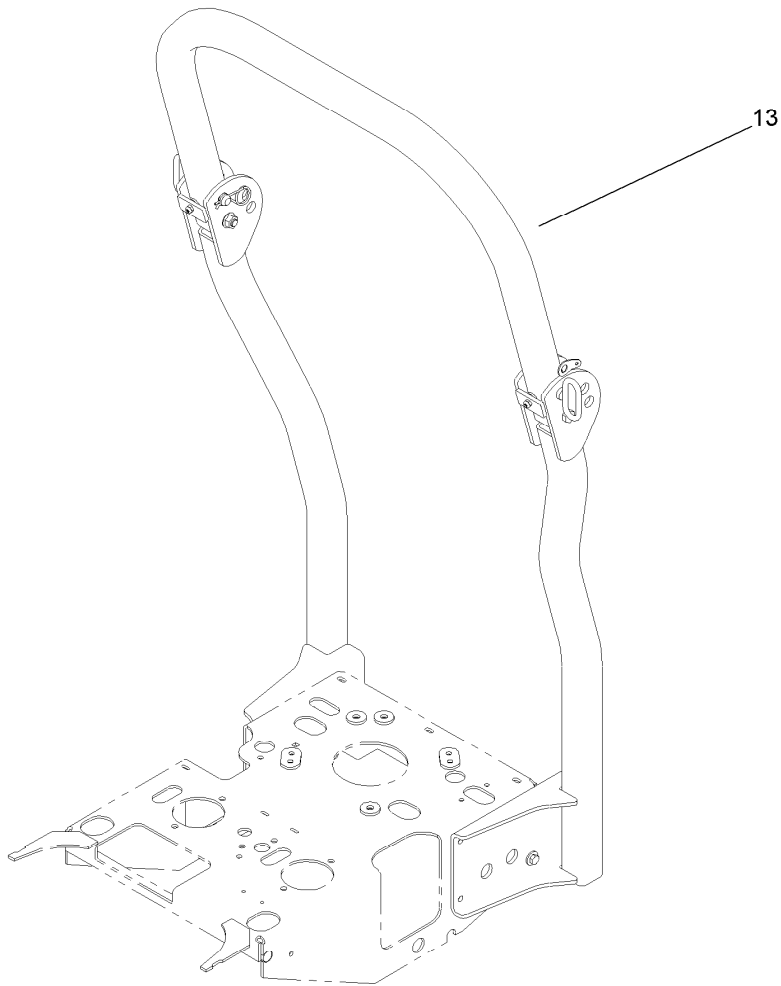
Seat and Bracket Assembly

<i>Ref.</i>	<i>Part Number</i>	<i>Qty.</i>	<i>Description</i>
1	110-5850	1	Seat Frame And Latch ASM
1:2	103-4434	1	Grip-Lever
2	323-39	2	Screw-HH
3	3296-29	3	Nut-Lock, NI
4	103-1731	1	Rod-Retainer, Seat
5	110-0446	1	Seat ASM
6	99-4693	1	Decal
7	2412-120	2	R-Clamp
8	104-7048	1	Cap-Housing
9	32104-76	2	Screw
10	104-7050	1	Tube-Manual
11	322-5	1	Screw-HH
12	103-5961	1	Catch-Latch, Seat
13	3296-39	2	Nut-Lock, NI
20	322-4	2	Screw-HH
21	32128-20	4	Nut-HF



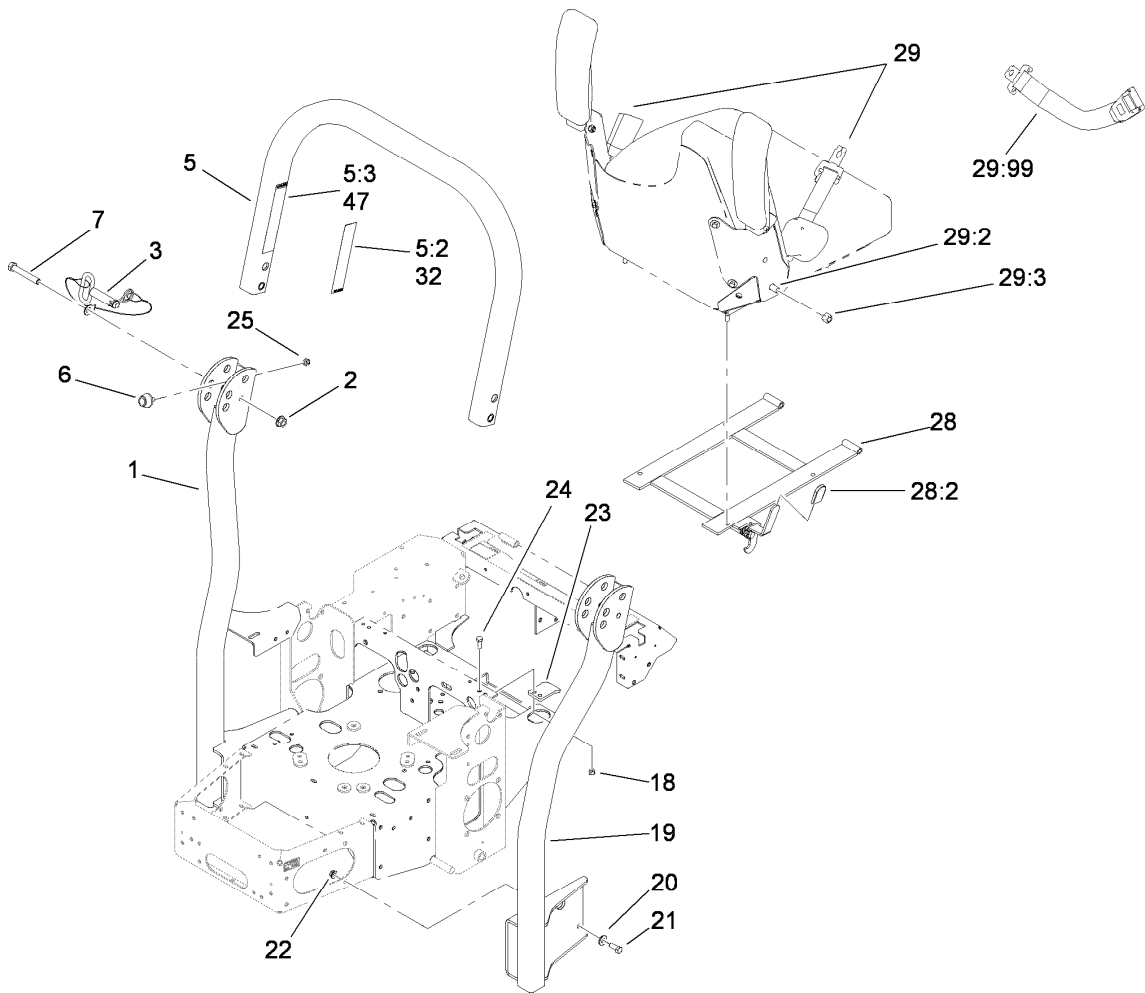
Seat and Bracket Assembly No. 110-0446

Ref.	Part Number	Qty.	Description
1	110-5719	1	Armrest Kit
1:1	110-4163	2	Cushion-Rest, Arm
1:2	3256-22	4	Washer-Flat
1:3	322-10	2	Screw-HH
1:4	105-3623	2	Channel-Armrest
1:5	32153-3	2	Nut-Hex, Side Deform
1:6	105-3621	1	Bracket-Armrest, RH
1:7	105-3622	1	Bracket-Armrest, LH
1:8	321-30	8	Screw-HH
1:9	3296-42	4	Nut-Lock, NI
1:10	325-2	2	Screw-HH
1:11	3296-23	2	Nut-Lock, NI
3	110-4162	1	Cushion-Seat, Bottom
4	110-0447	1	Cusion-Seat, Back
7	1-633859	1	Frame-Seat
8	1-643255	1	Track-Seat
11	110-0883	1	Retractable Seatbelt Kit
11:2	3212-4	2	Screw-HH
11:3	3296-7	2	Nut-Lock
11:99	109-6226	1	Seat Belt Extension Kit
12	1-543401	4	Spacer-Track
13	321-30	5	Screw-HH
14	32128-20	4	Nut-HF
15	3256-22	5	Washer-Flat



Roll-Over Protection System Assembly

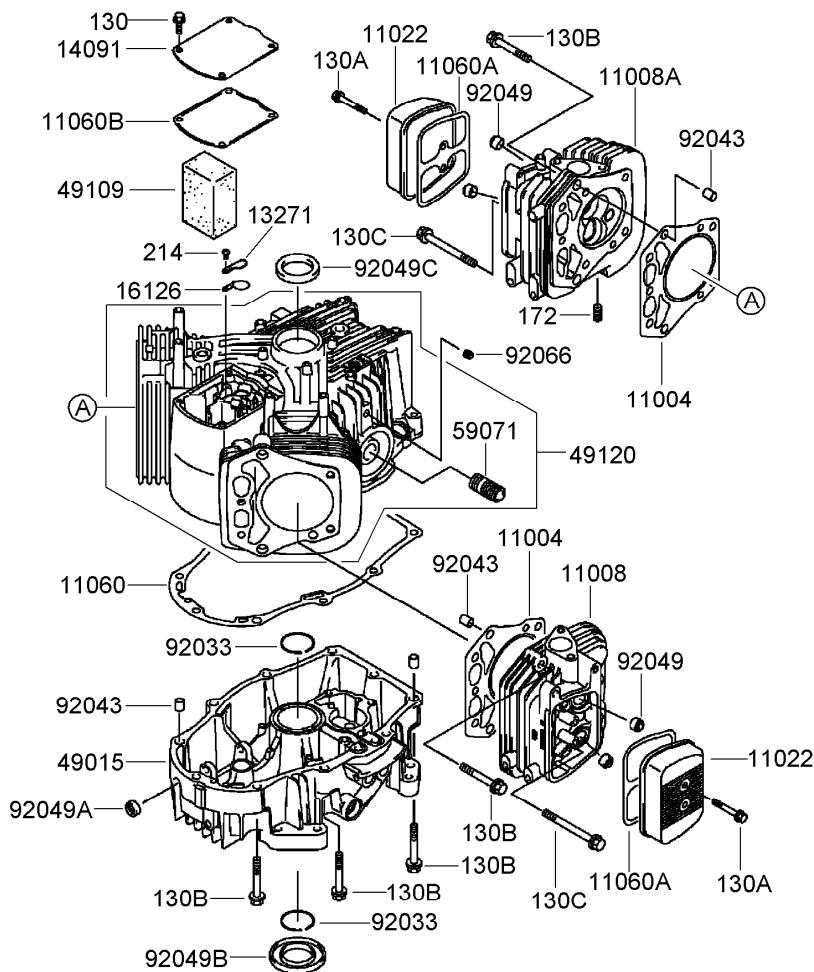
<i>Ref.</i>	<i>Part Number</i>	<i>Qty.</i>	<i>Description</i>
13	107-8093	1	ROPS ASM



Roll-Over Protection System Assembly No. 107-8093

Ref.	Part Number	Qty.	Description
1		1	LH Tube Support ASM ●
2	32128-23	2	Nut-HF
3	103-4553	2	ROPS Fold Pin ASM
5		1	Upper Tube ASM ●
5:2	107-2100	1	Decal
5:3	107-2102	1	Decal-Warning, Folding ROPS
6	109-2365	2	Bumper-Rubber (W/Stud)
7	325-13	2	Screw-HH
18	3296-29	2	Nut-Lock, NI
19		1	RH Tube Support ASM ●
20	98-5975	8	Washer-Belleville
21	323-6	8	Screw-HH
22	3290-357	8	Nut-HHF, Whiz
23	107-3059	1	Catch-Latch, Seat
24	322-4	2	Screw-HH
25	3296-73	2	Nut-Lock, NI
28	110-5850	1	Seat Frame And Latch ASM
28:2	103-4434	1	Grip-Lever
29	110-0883	1	Retractable Seatbelt Kit
29:2	3212-4	2	Screw-HH
29:3	3296-7	2	Nut-Lock
29:99	109-6226	1	Seat Belt Extension Kit
32	107-3069	1	Decal-Warning, Folding ROPS
47	107-2102	1	Decal-Warning, Folding ROPS

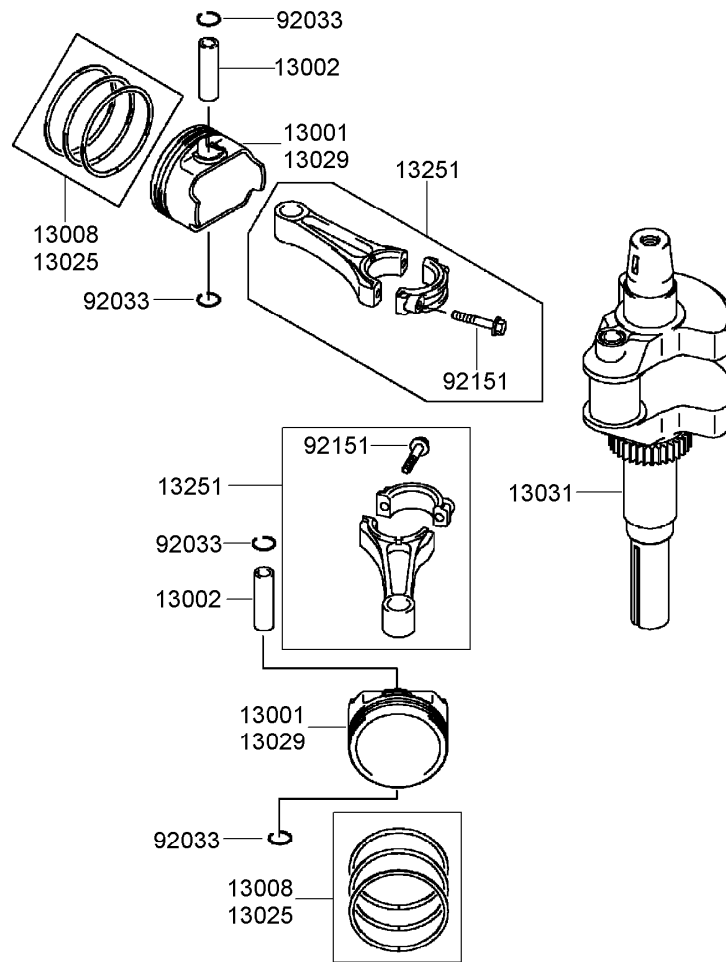
● Not serviced separately



Cylinder and Crankcase Assembly Kawasaki FH641V-DS19-R

Ref.	Part Number	Qty.	Description	Ref.	Part Number	Qty.	Description
11004	11004-7006	2	Gasket-Head ●	92049	92049-7001	4	Seal-Oil, R V C2 (6X11X10.2) ●
11008	11008-7023	1	Head-Cylinder, No.2 ●	92049A	92049-7005	1	Seal-Oil, S O (8X14X5 H S) ●
11008A	11008-7024	1	Head-Cylinder, No.1 ●	92049B	92049-7011	1	Seal-Oil, S D (35X62X8 L H S) ●
11022	11022-7002	2	Case-Rocker ●	92049C	92049-7014	1	Seal-Oil, S D (35X52X7 R H S) ●
11060	11060-7012	1	Gasket-Cover, Crankcase ●	92066	92066-7002	1	Plug ●
11060A	11060-7013	2	Gasket-Case, Rocker ●	130	130B0612	4	Bolt-Flanged (6X12) ●
11060B	11060-7014	1	Gasket-Breather ●	130A	130B0640	4	Bolt-Flanged (6X40) ●
13271	13271-7006	1	Plate ●	130B	130T0850	18	Bolt-Flanged (8X50) ●
14091	14091-7004	1	Cover ●	130C	130T0875	2	Bolt-Flanged (8X75) ●
16126	16126-7001	1	Valve ●	172	172G0818	4	Bolt-Stud (8X18) ●
49015	49015-7064	1	Cover-Crankcase ●	214	214B0408	1	Screw-Pan (4X8) ●
49109	49109-7003	1	Element-Breather ●				
49120	49120-7037	1	Crankcase ●				
59071	59071-2079	1	Joint ●				
92033	92033-7004	2	Ring-Snap ●				
92043	92043-7001	6	Pin ●				

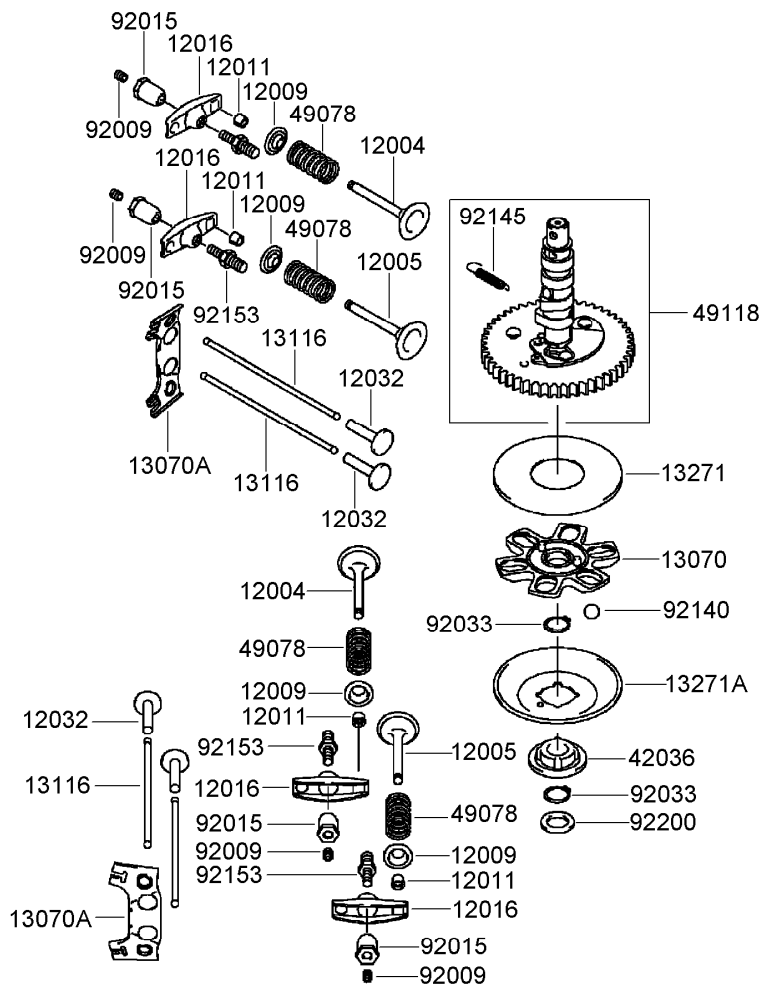
● Obtain parts from www.kawpowerepc.com



Piston and Crankshaft Assembly Kawasaki FH641V-DS19-R

<i>Ref.</i>	<i>Part Number</i>	<i>Qty.</i>	<i>Description</i>
13001	13001-7007	2	Piston-Engine ●
13002	13002-7001	2	Pin-Piston ●
13008	13008-6058	2	Piston Ring Set ●
13025	13025-7002	1	Piston Ring Set (L, 0.50) ●
13029	13029-7003	1	Piston-Engine (L, 0.50) ●
13031	13031-7048	1	Crankshaft ●
13251	13251-7005	2	Connecting Rod ASM ●
92033	92033-7002	4	Ring-Snap ●
92151	92151-7017	4	Bolt (6X35) ●

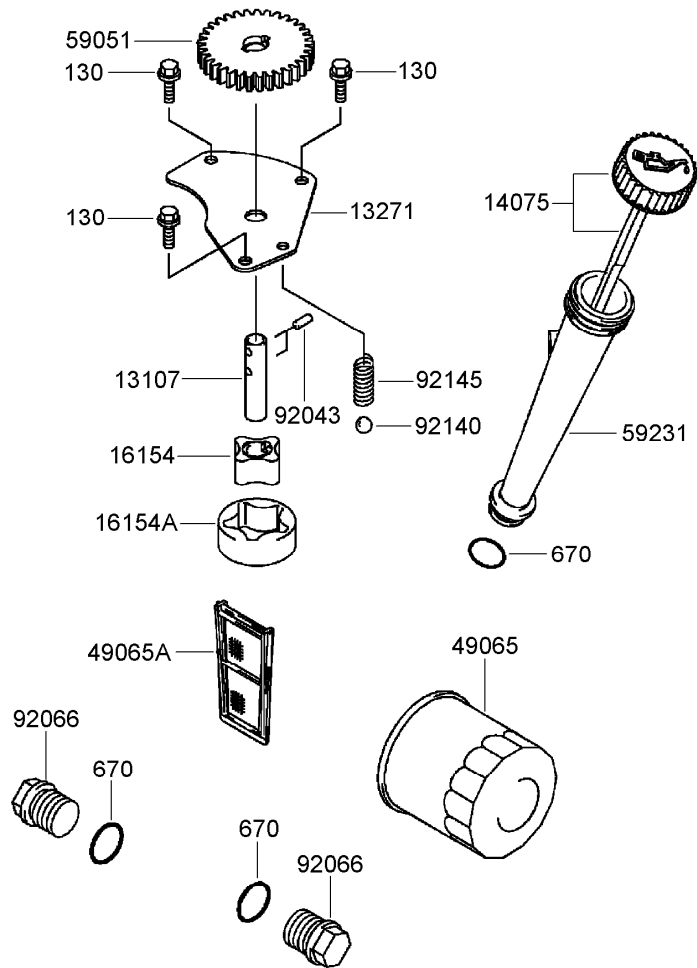
● Obtain parts from www.kawpowerepc.com



Valve and Camshaft Assembly Kawasaki FH641V-DS19-R

Ref.	Part Number	Qty.	Description
12004	12004-7002	2	Valve-Intake ●
12005	12005-7004	2	Valve-Exhaust ●
12009	12009-7001	4	Retainer-Spring, Valve ●
12011	12011-2056	8	Collet ●
12016	12016-7007	4	Arm-Rocker ●
12032	12032-7001	4	Tappet ●
13070	13070-7004	1	Guide ●
13070A	13070-7007	2	Guide ●
13116	13116-7002	4	Rod-Push ●
13271	13271-7007	1	Plate ●
13271A	13271-7021	1	Plate-Governor ●
42036	42036-7010	1	Sleeve ●
49078	49078-7002	4	Spring-Valve, Engine (Intake) ●
49118	49118-7007	1	Camshaft ●
92009	92009-2341	4	Screw ●
92015	92015-2253	4	Nut ●
92033	92033-7001	2	Ring-Snap ●
92140	92140-7002	6	Ball ●
92145	92145-7001	1	Spring ●
92153	92153-7019	4	Bolt ●
92200	92200-7001	1	Washer ●

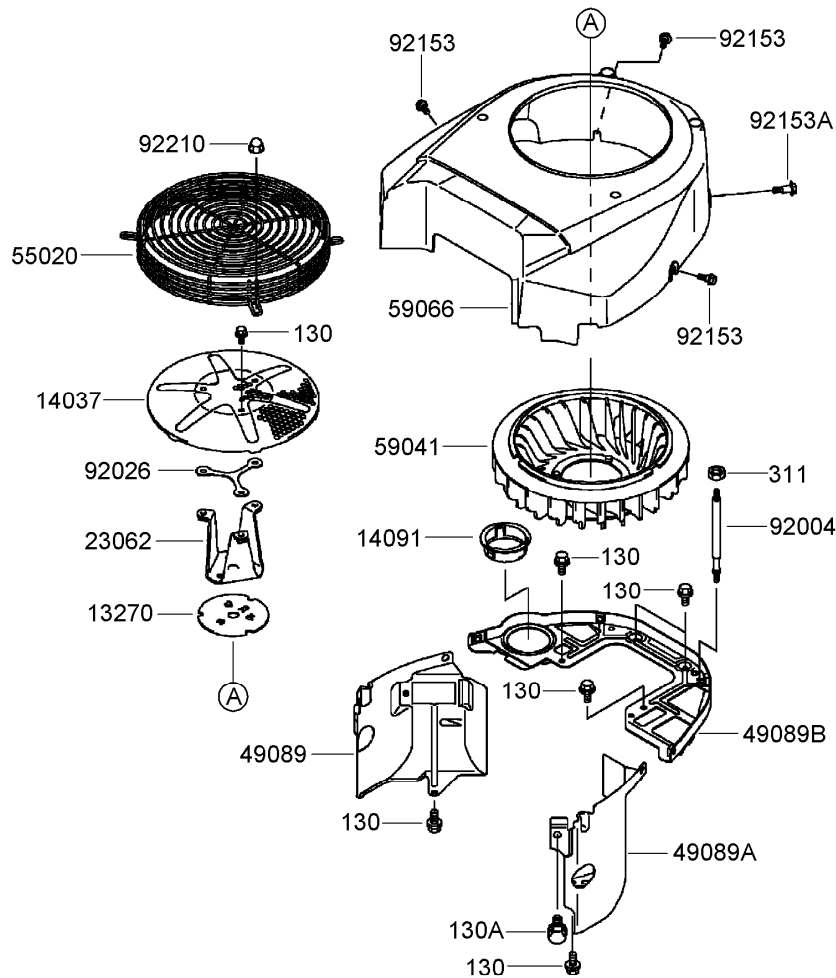
● Obtain parts from www.kawpowerepc.com



Lubrication Equipment Assembly Kawasaki FH641V-DS19-R

<i>Ref.</i>	<i>Part Number</i>	<i>Qty.</i>	<i>Description</i>
13107	13107-7009	1	Shaft ●
13271	13271-7005	1	Plate ●
14075	14075-7008	1	Cap ASM ●
16154	16154-7007	1	Rotor-Pump (In) ●
16154A	16154-7008	1	Rotor-Pump (Out) ●
49065	49065-2078	1	Filter-Oil ●
49065A	49065-7003	1	Filter-Oil ●
59051	59051-7011	1	Gear-Spur ●
59231	59231-7006	1	Filler ●
92043	92043-7003	2	Pin ●
92066	92066-7003	2	Plug ●
92140	92140-7003	1	Ball ●
92145	92145-7002	1	Spring ●
130	130B0612	3	Bolt-Flanged (6X12) ●
670	670D2016	3	O-Ring (16Mm) ●

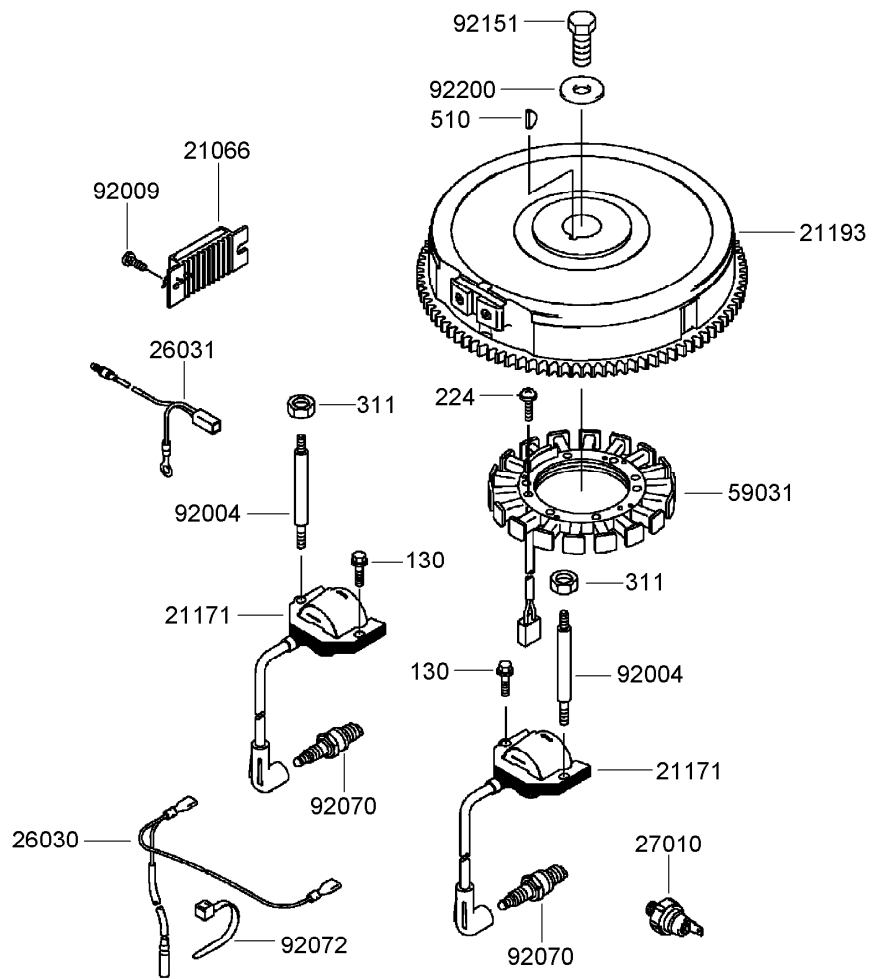
● Obtain parts from www.kawpowerepc.com



Cooling Equipment Assembly Kawasaki FH641V-DS19-R

Ref.	Part Number	Qty.	Description
13270	13270-7007	1	Plate ●
14037	14037-7008-9H	1	Screen ●
14091	14091-7002	1	Cover ●
23062	23062-7005	1	Bracket ●
49089	49089-7004	1	Shroud-Engine ●
49089A	49089-7005	1	Shroud-Engine ●
49089B	49089-7049	1	Shroud-Engine ●
55020	55020-7007	1	Guard ●
59041	59041-7003	1	Fan ●
59066	59066-7004	1	Housing-Fan ●
92004	92004-7006	2	Stud ●
92026	92026-7007	1	Spacer ●
92153	92153-7007	3	Bolt ●
92153A	92153-7008	1	Bolt ●
92210	92210-0003	4	Nut ●
130	130B0612	9	Bolt-Flanged (6X12) ●
130A	130B0816	1	Bolt-Flanged (8X16) ●
311	311B0600	2	Nut-Hex (6Mm) ●

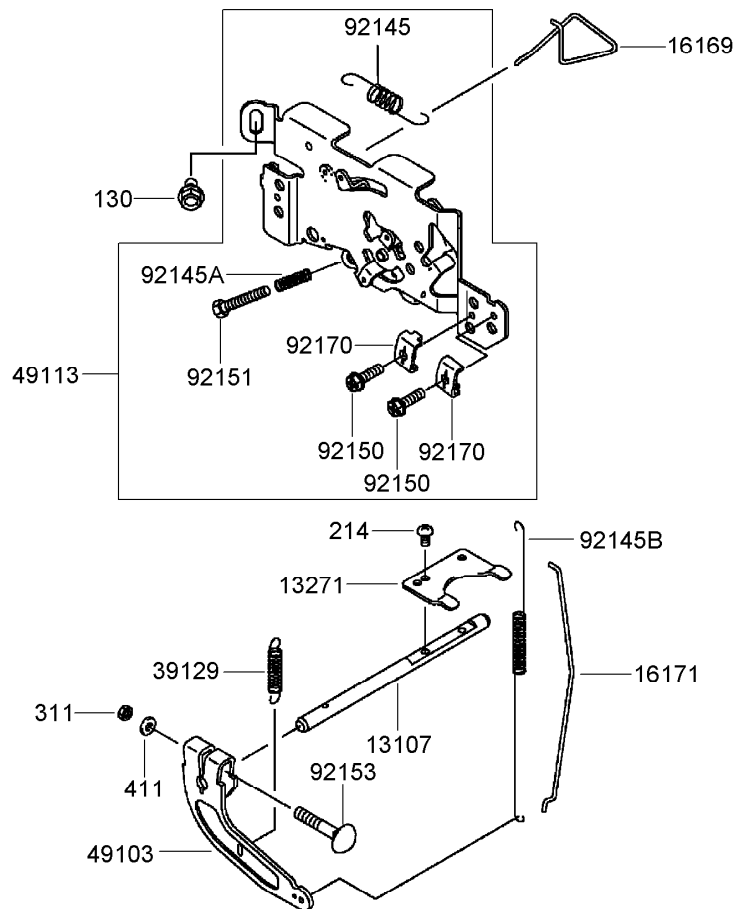
● Obtain parts from www.kawpowerepc.com



Electric Equipment Assembly Kawasaki FH641V-DS19-R

Ref.	Part Number	Qty.	Description
21066	21066-7011	1	Regulator-Voltage ●
21171	21171-7013	2	Ignition Coil ASM ●
21193	21193-7019	1	Flywheel ASM ●
26030	26030-7002	1	Harness ●
26031	26031-7003	1	Harness ●
27010	27010-7001	1	Switch ●
59031	59031-7009	1	Coil-Charging ●
92004	92004-7009	2	Stud ●
92009	92009-2308	1	Screw ●
92070	92070-7004	2	Sparkplug (B P R4 E S (N G K) Solid) ●
92072	92072-7003	3	Band ●
92151	92151-2097	1	Bolt (12X30) ●
92200	92200-7002	1	Washer ●
130	130B0620	2	Bolt-Flanged (6X20) ●
224	224B0520	4	Screw-Pan (5X20) ●
311	311B0600	2	Nut-Hex (6Mm) ●
510	510A5100	1	Key-Woodruff ●

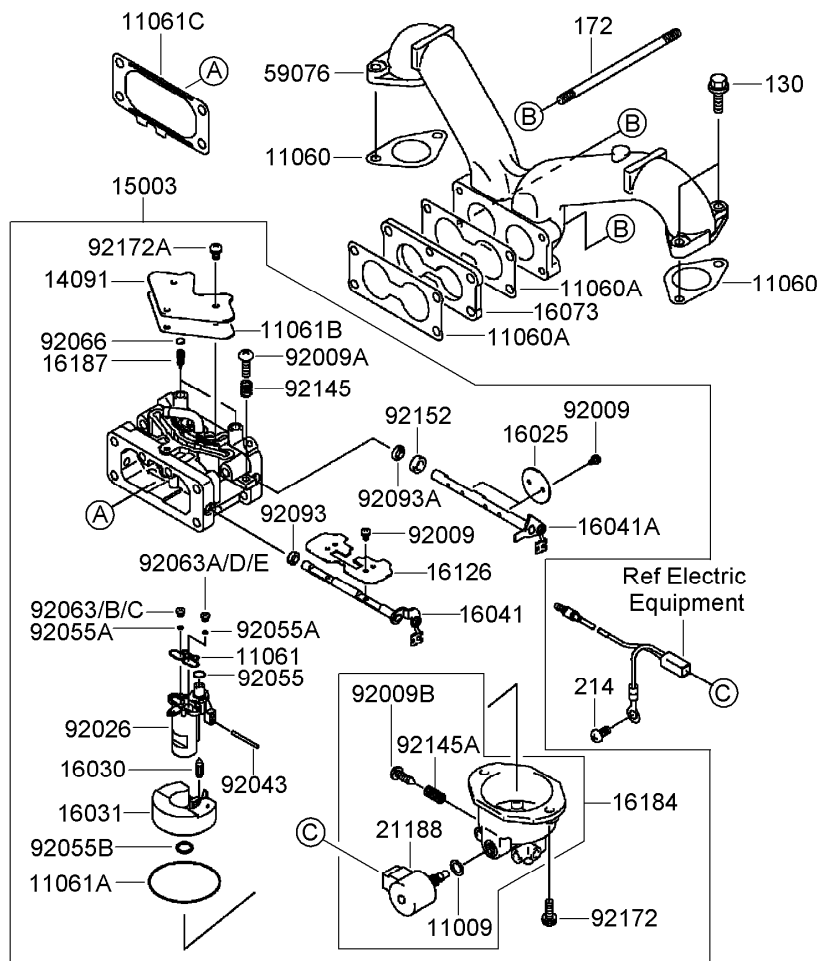
● Obtain parts from www.kawpowerepc.com



Control Equipment Assembly Kawasaki FH641V-DS19-R

Ref.	Part Number	Qty.	Description
13107	13107-7013	1	Shaft ●
13271	13271-7032	1	Plate ●
16169	16169-7006	1	Link-Choke ●
16171	16171-7004	1	Link ●
39129	39129-7004	1	Spring-Governor ●
49103	49103-7004	1	Arm-Governor ●
49113	49113-7017	1	Panel-Control ●
92145	92145-7004	1	Spring ●
92145A	92145-7005	1	Spring ●
92145B	92145-7034	1	Spring ●
92150	92150-2182	2	Bolt (5X18) ●
92151	92151-7014	1	Bolt (5X30) ●
92153	92153-7033	1	Bolt (6X35) ●
92170	92170-7001	2	Clamp ●
130	130B0612	2	Bolt-Flanged (6X12) ●
214	214B0408	2	Screw-Pan (4X8) ●
311	311B0600	1	Nut-Hex (6Mm) ●
411	411B0600	1	Washer-Plain (6Mm) ●

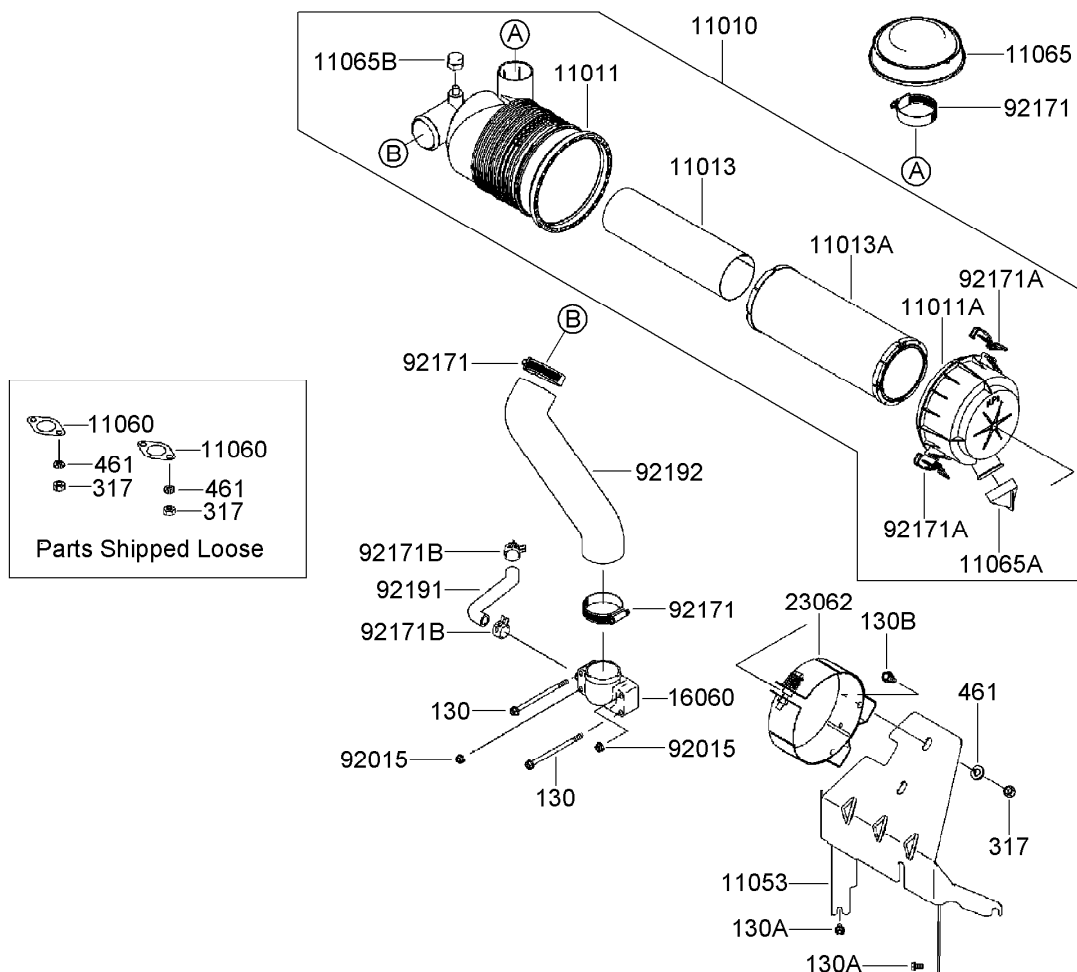
● Obtain parts from www.kawpowerepc.com



Carburetor Assembly Kawasaki FH641V-DS19-R

Ref.	Part Number	Qty.	Description	Ref.	Part Number	Qty.	Description
11009	11009-2056	1	Gasket ●	92026	92026-7011	1	Spacer ●
11060	11060-7011	2	Gasket-Manifold ●	92043	92043-7014	1	Pin ●
11060A	11060-7024	2	Gasket-Carburetor ●	92055	92055-7012	1	O-Ring ●
11061	11061-7037	1	Gasket ●	92055A	92055-7013	2	O-Ring ●
11061A	11061-7038	1	Gasket ●	92055B	92055-7016	1	O-Ring ●
11061B	11061-7039	1	Gasket ●	92063	92063-7051	1	Jet-Main, No.104 ●
11061C	11061-7043	1	Gasket ●	92063A	92063-7054	1	Jet-Main, No.108 ●
14091	14091-7031	1	Cover ●	92063B	92063-7075	1	Jet-No.101 (3280 Ft) ●
15003	15003-7119	1	Carburetor ASM ●	92063C	92063-7076	1	Jet-No.098 (6560 Ft) ●
16025	16025-7003	2	Valve-Throttle ●	92063D	92063-7077	1	Jet-No.105 (3280 Ft) ●
16030	16030-7004	1	Valve-Float ●	92063E	92063-7078	1	Jet-No.102 (6560 Ft) ●
16031	16031-7003	1	Float ●	92066	92066-7009	2	Plug-Expansion ●
16041	16041-7021	1	Shaft-Carburetor ●	92093	92093-7001	1	Seal (I D 5.9) ●
16041A	16041-7023	1	Shaft-Carburetor ●	92093A	92093-7002	1	Seal (I D 6.9) ●
16073	16073-7005	1	Insulator ●	92145	92145-7010	1	Spring ●
16126	16126-7015	1	Valve ●	92145A	92145-7011	1	Spring ●
16184	16184-7017	1	Chamber Float ASM ●	92152	92152-7005	1	Collar ●
16187	16187-7002	2	Needle-Jet ●	92172	92172-7005	2	Screw (M5) ●
21188	21188-7003	1	Solenoid ●	92172A	92172-7006	3	Screw (M4) ●
59076	59076-7002	1	Manifold-Intake ●	130	130B0620	4	Bolt-Flanged (6X20) ●
92009	92009-7003	6	Screw ●	172	172G06105	2	Bolt-Stud (6X10.5) ●
92009A	92009-7004	1	Screw ●	214	214B0510	1	Screw-Pan (5X10) ●
92009B	92009-7006	1	Screw-Drain ●				

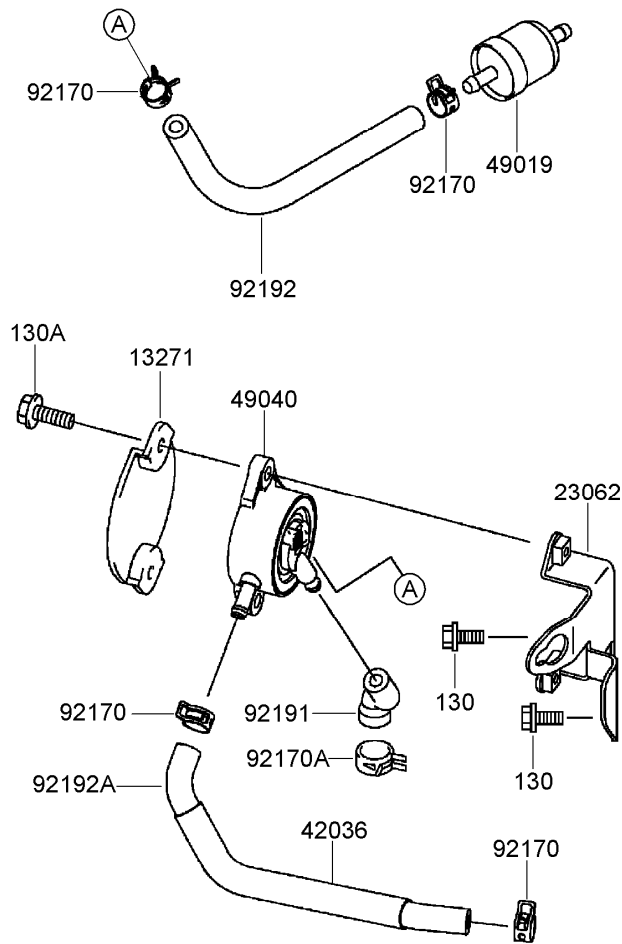
● Obtain parts from www.kawpowerepc.com



Air Filter and Muffler Assembly Kawasaki FH641V-DS19-R

Ref.	Part Number	Qty.	Description
11010	11010-7011	1	Air Filter ASM ●
11011	11011-7013	1	Case-Filter, Air ●
11011A	11011-7014	1	Case-Filter, Air ●
11013	11013-7019	1	Element-Filter, Air ●
11013A	11013-7020	1	Element-Filter, Air ●
11053	11053-7016	1	Bracket ●
11060	11060-7016	2	Gasket-Muffler ●
11065	11065-7006	1	Cap ●
11065A	11065-7008	1	Cap ●
11065B	11065-7009	1	Cap ●
16060	16060-7021	1	Pipe-Intake ●
23062	23062-7009	1	Bracket ●
92015	92015-1193	2	Nut ●
92171	92171-7007	3	Clamp ●
92171A	92171-7009	2	Clamp ●
92171B	92171-7013	2	Clamp ●
92191	92191-7006	1	Tube ●
92192	92192-7030	1	Tube ●
130	130B06105	2	Bolt-Flanged (6X10.5) ●
130A	130B0612	2	Bolt-Flanged (6X12) ●
130B	130B0814	2	Bolt-Flanged (8X14) ●
317	317R0800	6	Nut-Hex, Small (8Mm) ●
461	461F0800	6	Washer-Spring (8Mm) ●

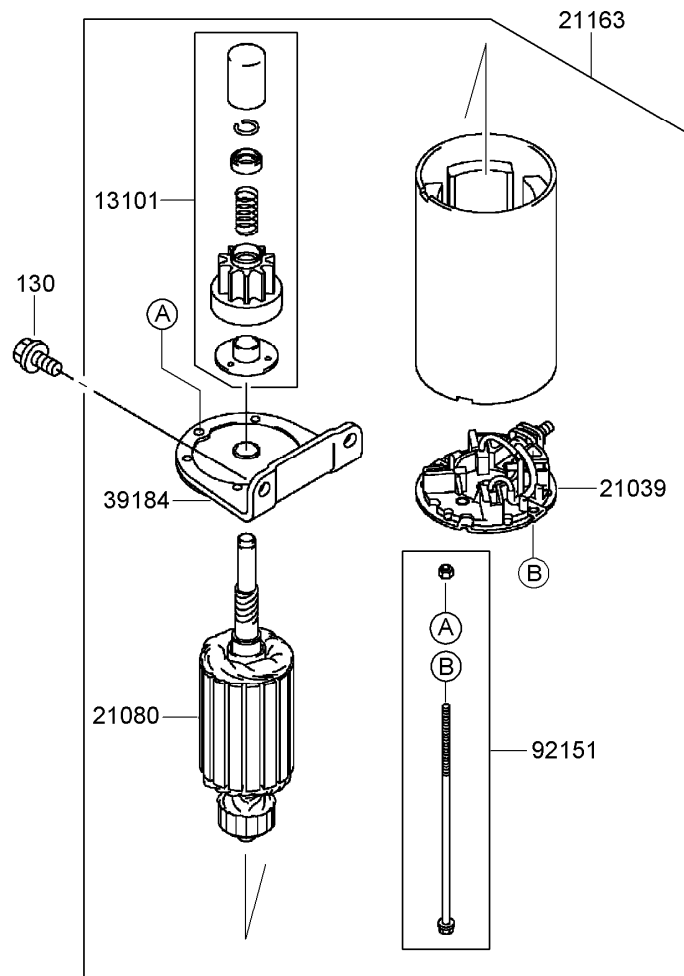
● Obtain parts from www.kawpowerepc.com



Fuel Tank and Valve Assembly Kawasaki FH641V-DS19-R

<i>Ref.</i>	<i>Part Number</i>	<i>Qty.</i>	<i>Description</i>
13271	13271-7004	1	Plate ●
23062	23062-7004-9H	1	Bracket ●
42036	42036-7012	1	Sleeve ●
49019	49019-7001	1	Filter-Fuel ●
49040	49040-7001	1	Pump-Fuel ●
92170	92170-2088	4	Clamp ●
92170A	92170-7003	1	Clamp ●
92191	92191-7027	1	Tube ●
92192	92192-7037	1	Tube (6.35X12.7X160) ●
92192A	92192-7039	1	Tube (6.35X12.7X200) ●
130	130B0616	2	Bolt-Flanged (6X16) ●
130A	130B0620	2	Bolt-Flanged (6X20) ●

● Obtain parts from www.kawpowerepc.com

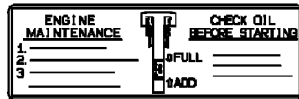


Starter Assembly Kawasaki FH641V-DS19-R

<i>Ref.</i>	<i>Part Number</i>	<i>Qty.</i>	<i>Description</i>
13101	13101-7003	1	Gear ASM ●
21039	21039-7004	1	Brush ●
21080	21080-7001	1	Armature ●
21163	21163-7010	1	Starter-Electric ●
39184	39184-7004	1	Bracket ASM ●
92151	92151-7013	1	Bolt ●
130	130B0816	2	Bolt-Flanged (8X16) ●

● Obtain parts from www.kawpowerepc.com

56033



56080



Label Assembly Kawasaki FH641V-DS19-R

<i>Ref.</i>	<i>Part Number</i>	<i>Qty.</i>	<i>Description</i>
56033	56033-7003	1	Label-Manual •
56080	56080-7008	1	Label-Brand •

• Obtain parts from www.kawpowerepc.com

Attachments and Accessories

For 74448 Z400 Z Master, With 48in 7-Gauge Side Discharge Mower

Product Name	Model/Part
Suspension Kit for Standard Seat	107-1892
Standard High Lift Blade	107-3192-03
Blade-Low Flow, 16.5 Inch.....	107-3193-03
Blade-Mid Flow, 16.5 Inch.....	107-3194-03
Blade-Atomic, 16.5 Inch.....	107-3195-03
Blade-Recycling, 16.5 Inch	107-3196-03
Z Stand Kit	107-8599
Recycler Kit	108-2209
Mower Deck Lift Assist Kit	108-4090
Blade-Hi Flow, 16.5 Inch (6 Pack).....	110-0414
Blade-Lo Flow, 16.5 Inch (6 Pack)	110-0415
Blade-Recycler, 16.5 Inch (6 Pack).....	110-0416
Blade-Atomic, 16.5 Inch (6 Pack).....	110-0417
Blade-Mid Flow, 16.5 Inch (6 Pack).....	110-0418
Semi Pnuematic Wheel Assembly	110-5745
Bimini Folding Shade Assembly	115-4510
Chute Gate Kit	78521
Deluxe Suspension Seat Kit	78530
Twin Bagger Assembly	78531
Blower and Drive Kit	78536
DFS E-Z Vac Collection System	78541
Hitch Kit	99-8924



Count on it.