



Carefree<sup>®</sup> Electric

# 120 Volt Mower

Model No.20645 – 6900001 & Up

---

## Parts Catalog

## ORDERING REPLACEMENT PARTS

To order replacement parts, please supply: the part number, the quantity, and the description of each part desired.

## Contents

Description	Page	Description	Page
Deck, Liner and Wheel Assembly .....	1	Connectors and Side Discharge Chute .....	5
Motor and Blade Assembly .....	2		
Cover, Mulch Plug and Panel Assembly .....	3		
Handle and Controls Assembly .....	4	<b>Note:</b>	

## Accessories

Description	Model / Parts No.	Description	Model / Parts No.
..			

## Part Description Abbreviations

Part descriptions in this catalog may include the following abbreviations.

Abbreviation	Meaning	Abbreviation	Meaning
AR .....	as required	HWHTF .....	hex washer head thread forming
ASM .....	assembly	INC .....	incorporated
CARR .....	carriage	LH .....	left hand
DEG .....	degrees	PH .....	pan head
FH .....	flat head	PPH .....	Phillips pan head
GA .....	gauge	PTO .....	power take off
HF .....	hex flange	RH .....	right hand
HFW .....	hex flange washer	SFH .....	slotted fillister head
HH .....	hex head	SH .....	square head
HHF .....	hex head flange	SHWH .....	slotted hex washer head
HHST .....	hex head self tapping	SPH .....	slotted pan head
HJ .....	hex jam	STD .....	standard
HOC .....	height-of-cut	TAP .....	self tapping
HS .....	hex socket	TH .....	truss head
HSBH .....	hex socket button head	TTH .....	Torx truss head
HSFH .....	hex socket flat head	WH .....	wing head
HSH .....	hex socket head		
HWH .....	hex washer head		

## Important Format Explanations

This catalog uses special formats to convey information in illustrations and parts lists. Specifically, one format is used in conjunction with service assemblies and another with quantities associated with reference numbers.

## Service Assemblies

Parts within service assemblies have reference numbers in the form  $X:Y$ .  $X$  is the reference number of the service assembly and  $Y$  is a sequential number unique to each part within the service assembly.

For example, a wheel assembly might be identified by reference number 6, the tire by 6:1, the valve by 6:2, and the wheel by 6:3. When you order the assembly identified by reference number 6, you receive all parts identified by reference numbers 6:1, 6:2, and 6:3. However, you may also order any part individually.

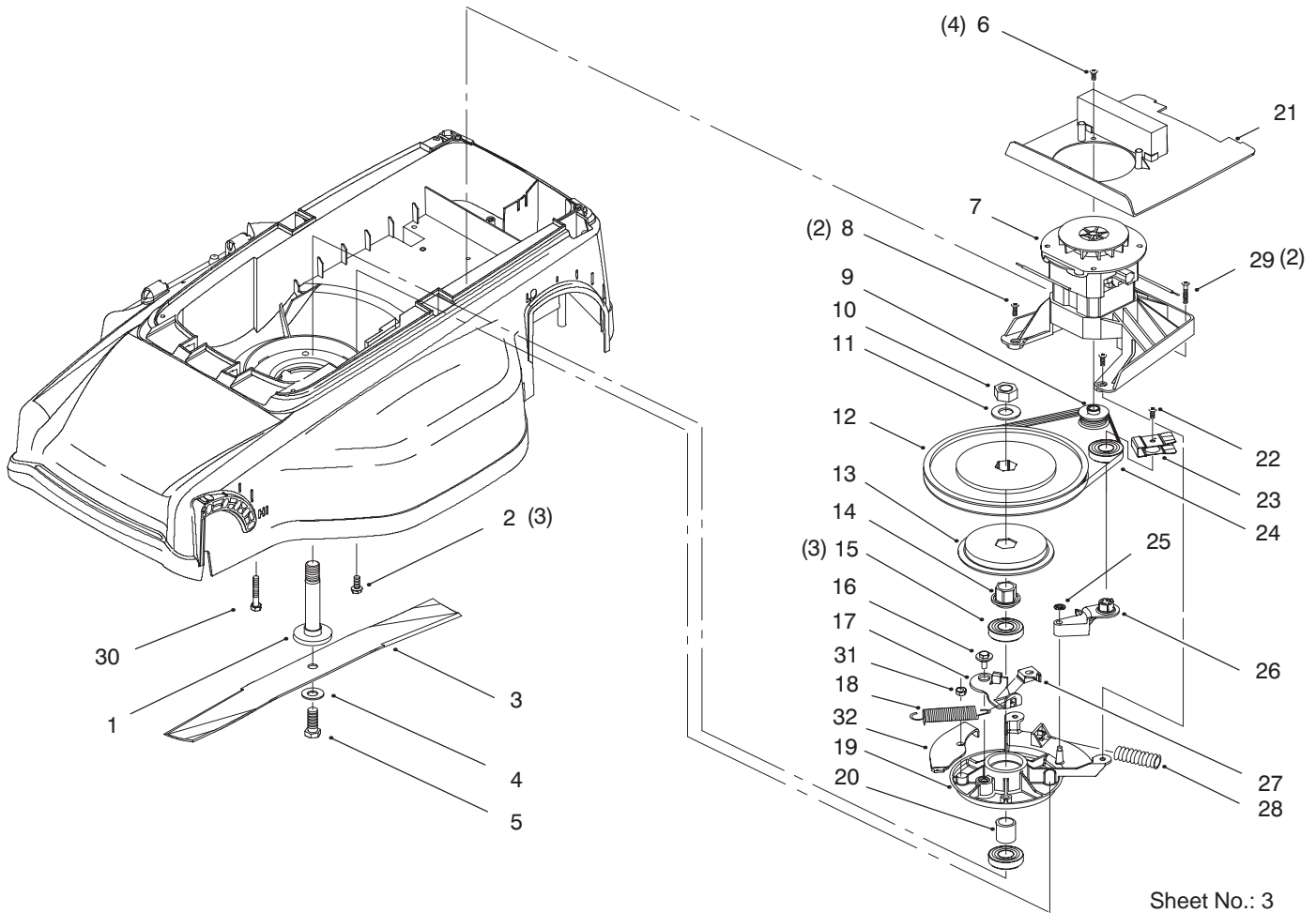
Reference numbers of this type appear in part lists and as callouts in illustrations.

## Reference Numbers with Quantities

Illustrations may have a quantity in parentheses next to a reference number, in the form  $X (Y)$ .  $X$  is the reference number.  $Y$  in parentheses is the quantity of the part identified by the reference number.

For example, the illustration callout 4 (2) indicates that two parts are used in that instance.





## Motor and Blade Assembly

Ref. No.	Part No.	Qty.	Description
1	93-3329	1	Shaft-Spindle
2	32144-44	3	Screw-HWH
3	93-3954	1	Blade
4	3290-465	1	Washer-Spring
5	26-0671	1	Bolt-Blade
6	94-4496	4	Screw-PH
7	94-6917	1	ASM-Motor 120V
8	32144-8	2	Screw-PPH
9	93-3331	1	Pulley-Motor
10	3219-6	1	Nut-Hex
11	3256-27	1	Washer-Flat
12	93-3321	1	Pulley-Driven
13	93-3328	1	Drum-Brake
14	93-3330	1	Hub-Pulley
15	61-8780	3	Bearing-Ball
16	92-9698	1	Screw-Shoulder
17	93-3991	1	ASM-Brake Lever
18	93-3995	1	Spring-Brake/Switch
19	93-3325	1	Spindle
20	93-3980	1	Spacer-Bearing
21	94-3873	1	ASM-Baffle
22	94-6961	1	Screw-PH
23	94-3866	1	Guide-Belt
24	93-3989	1	Belt
25	93-3988	1	Pushnut
26	93-3323	1	Idler

Ref. No.	Part No.	Qty.	Description
27	93-3322	1	Mount-Cable
28	61-8880	1	Spring-Compression
29	93-3985	2	Screw-PPH
30	32144-110	1	Screw-HWH
31	3296-56	1	Nut-Hex Lock
32	94-9155	1	Bracket







# Toro Part Number Index

Part No.	Page No.	Ref. No.	Qty.	Description
610358	1	4	4	Nut—Lock
17-3239	4	*	1	Loose Part Kit
19-4050	4	8	2	Knob
26-0671	2	5	1	Bolt—Blade
40-1940	1	6	4	Washer
61-8780	2	15	3	Bearing—Ball
61-8880	2	28	1	Spring—Compression
73-6570	5	1	2	Connector—Wire Nut
92-1008	1	2	2	Knob—Height Adjust
92-1057	1	13	4	Bolt—Shoulder
92-2260	4	2	2	Screw—Handle
92-2269	4	9	2	Screw—Handle
92-2289	3	7	1	Plate—Logo
92-9586	1	7	2	ASM—Wheel
92-9698	2	16	1	Screw—Shoulder
93-0344	1	12	2	ASM—Wheel
93-3321	2	12	1	Pulley—Driven
93-3322	2	27	1	Mount—Cable
93-3323	2	26	1	Idler
93-3325	2	19	1	Spindle
93-3328	2	13	1	Drum—Brake
93-3329	2	1	1	Shaft—Spindle
93-3330	2	14	1	Hub—Pulley
93-3331	2	9	1	Pulley—Motor
93-3344	3	3	1	Housing—Plug
93-3952	1	5	2	Axle
93-3954	2	3	1	Blade
93-3955	1	10	1	Plate—HOC
93-3956	3	9	1	Mulch Plug—Inside
93-3957	3	12	1	Mulch Plug—Outside
93-3963	5	2	1	Chute—Side Discharge
93-3965	4	10	1	Cover—Bail
93-3967	4	15	1	Cam
93-3968	4	17	1	Slide
93-3969	4	12	1	Housing—Bail
93-3971	4	4	1	Handle—Upper
93-3972	4	7	1	Handle—Lower
93-3975	3	6	1	Bracket—Cable
93-3977	4	11	1	Bail
93-3978	4	6	1	Cable—Control
93-3979	3	2	1	Wire Harness
93-3980	2	20	1	Spacer—Bearing
93-3985	1	9	11	Screw—PPH
93-3985	2	29	2	Screw—PPH
93-3986	3	13	4	Screw—PPH
93-3986	4	1	3	Screw—PPH
93-3988	2	25	1	Pushnut
93-3989	2	24	1	Belt
93-3990	3	11	1	Pin—Hinge
93-3991	2	17	1	ASM—Brake Lever
93-3995	2	18	1	Spring—Brake/Switch
93-3996	4	3	1	Lock—Cord
94-1154	4	14	1	Spring—Bail
94-1191	4	16	1	Nut—Push
94-3851	4	13	1	Spring—Slide
94-3852	3	5	1	Decal—Cover
94-3865	3	10	1	Spring—Torsion
94-3866	2	23	1	Guide—Belt
94-3868	4	18	1	Washer—Flat
94-3870	1	3	1	ASM—Rear HOC Lever
94-3871	1	11	1	ASM—Front HOC Lever
94-3873	2	21	1	ASM—Baffle

\*Not Illustrated

# Toro Part Number Index (cont.)

<b>Part No.</b>	<b>Page No.</b>	<b>Ref. No.</b>	<b>Qty.</b>	<b>Description</b>
94-3880	3	1	1	ASM-Panel
94-3886	3	8	1	Switch
94-3895	1	1	1	Deck
94-3897	1	8	1	ASM-Liner
94-3898	3	4	1	ASM-Cover
94-4496	2	6	4	Screw-PH
94-4496	3	14	4	Screw-PH
94-4496	4	19	1	Screw-PH
94-6917	2	7	1	ASM-Motor
94-6961	2	22	1	Screw-PH
94-6961	3	15	5	Screw-PH
94-7407	4	20	1	Support-Cable
94-7409	4	22	1	Clip-Cable
94-7417	1	14	1	Trailing Shield
94-9155	2	32	1	Bracket
321-48	4	9	1	Screw-HH
3219-6	2	10	1	Nut-Hex
3256-2	4	21	1	Washer-Flat
3256-27	2	11	1	Washer-Flat
3290-465	2	4	1	Washer-Spring
3296-8	4	5	1	Nut-Lock
3296-56	2	31	1	Nut-Hex Lock
32144-110	2	30	1	Screw-HWH
32144-44	2	2	3	Screw-HWH
32144-8	2	8	2	Screw-PPH



