



Count on it.

Parts Catalog

Z400 Z Master®

With 52in 7-Gauge Side Discharge Mower

Model No. 74410—Serial No. 280000001 and Up

Ordering Replacement Parts

To order replacement parts, please supply the part number, the quantity, and the description of each part desired.

Understanding Reference Numbers

Each identified part in an illustration has a reference number. The reference number for a part also appears in the parts list, along with other information about the part.

This catalog uses two special reference number formats, one to indicate parts in a service assembly and another to indicate the quantity of a given part in an illustration.

Service Assembly Reference Numbers

Parts in service assemblies have reference numbers in the form a:b. The a represents the reference number of the entire service assembly and the b represents a sequential number unique to each part within the service assembly.

For example, a wheel assembly might be identified by reference number 6, the tire by 6:1, the valve by 6:2, and the wheel by 6:3. When you order the assembly identified by reference number 6, you receive all parts identified by reference numbers 6:1, 6:2, and 6:3. However, you may also order any part individually. Reference numbers of this type appear in illustration and in parts lists.

Reference Numbers Indicating Quantity

In an illustration, if a reference number indicates more than one part, the reference number has the form nX y. The n represents the quantity of the part, the X is the multiplication symbol, and the y represents the reference number.

For example, in an illustration, the reference number 2X 37 means that two of the parts identified by reference number 37 are indicated.

List of Abbreviations

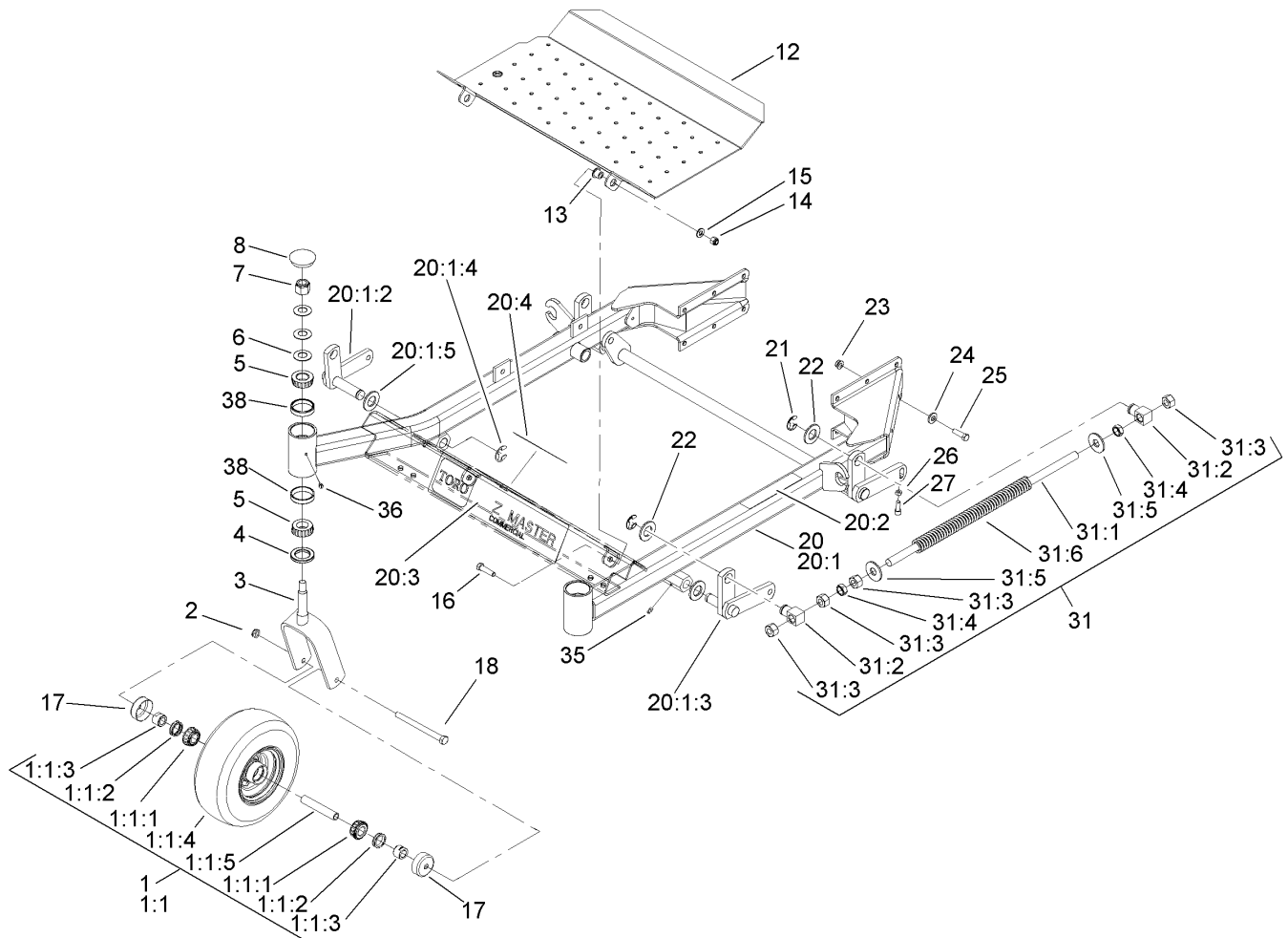
AR: as required
ASM: assembly
BBC: blade brake clutch
CARR: carriage
CCW: counter clock wise
CW: clockwise
DEG: degrees
ECM: electronic control module
EXT: external
FH: flat head
GA: gauge
HD: heavy-duty
HF: hex flange
HH: hex head
HHF: hex head flange
HHFTF: hex head flange thread forming
HJ: hex jam
HLH: hex lag head
HOC: height-of-cut

HSBH: hex socket button head
HSFH: hex socket flat head
HSH: hex socket head
HWH: hex washer head
HWHTF: hex washer head thread forming
HYD: hydraulic
LH: left hand
NI: nylon insert
NPTF: national pipe thread fine
PFH: phillips flat head
PPH: phillips pan head
PPHTF: phillips pan head thread forming
PRH: phillips round head
PTH: phillips truss head
PTO: power-take-off
RH: right hand
ROPS: roll-over protection system
RRB: rear roller brush

SFH: slotted fillister head
SHH: slotted hex head
SHWH: slotted hex washer head
SPH: slotted pan head
SQH: square head
SRH: slotted round head
STD: standard
TAP: self tapping
TTH: torx truss head

Contents

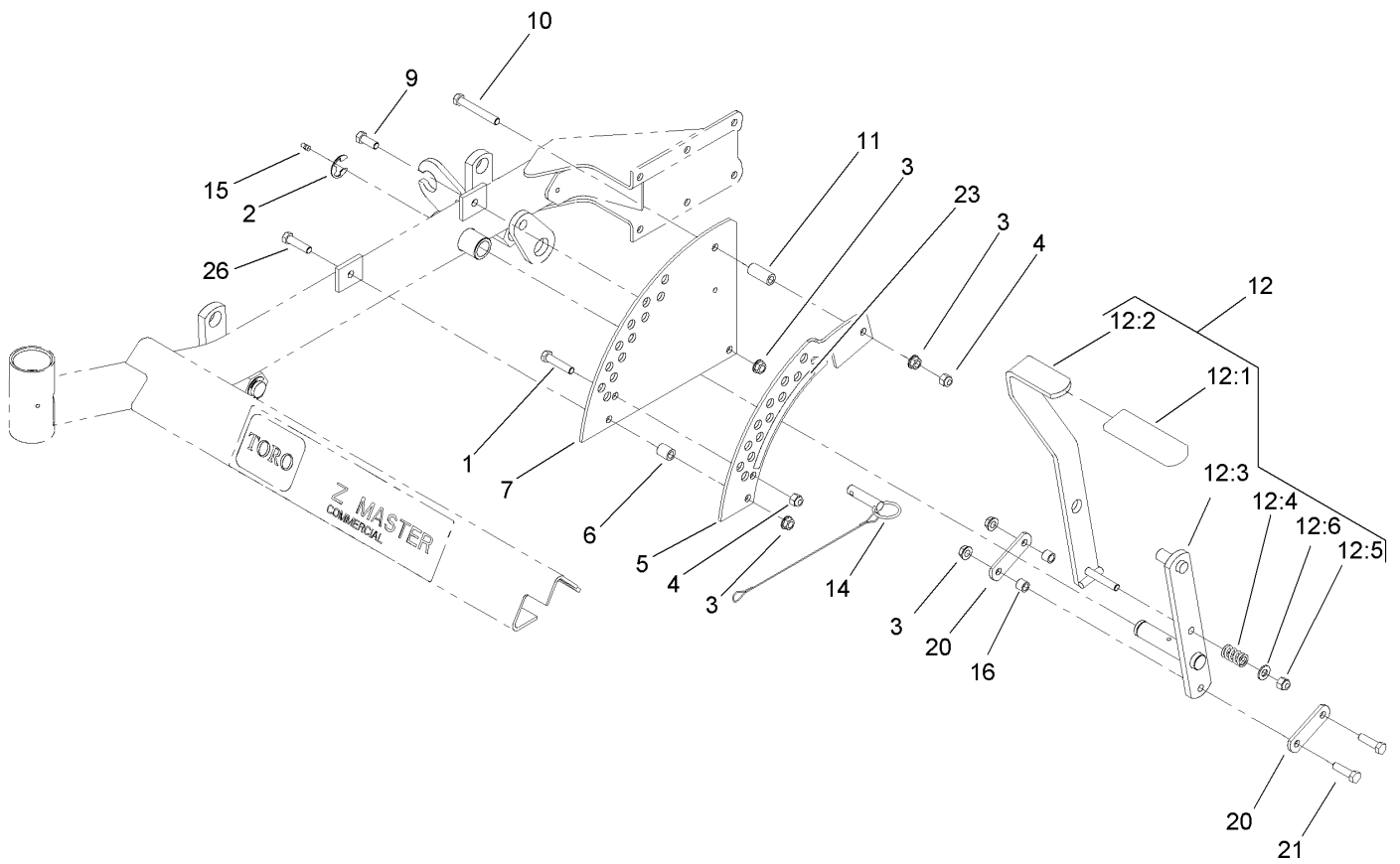
Front Frame Assembly	4
Height-of-Cut Assembly	5
Main Frame Assembly	6
Fuel System Assembly	7
Parking Brake Assembly	8
Motion Control Assembly	9
LH Motion Control Assembly No. 109-3912	10
RH Motion Control Assembly No. 109-3911	11
Hydraulic System Assembly	12
Hydraulic Pump Assembly No. 103-4040	13
Pump Idler and Belt Assembly	14
Engine, Clutch and Muffler Assembly	15
Deck Connection Assembly	16
Deck Assembly	17
Idler Assembly	18
Spindle Assembly No. 107-8504	19
Deck Decal Assembly No. 107-1693	20
Rubber Deflector Assembly No. 108-7770	21
Electrical System Assembly	22
Seat and Bracket Assembly	23
Seat Assembly No. 110-5738	24
Roll-Over Protection System Assembly	25
Roll-Over Protection System Assembly No. 107-8093	26
Fuel Tank / Fuel Valve Assembly Kawasaki FH580V AS30	27
Cylinder / Crankcase Assembly Kawasaki FH580V AS30	28
Piston / Crankshaft Assembly Kawasaki FH580V AS30	30
Valve / Camshaft Assembly Kawasaki FH580V AS30	32
Lubrication Equipment Assembly Kawasaki FH580V AS30	34
Cooling Equipment Assembly Kawasaki FH580V AS30	36
Electric Equipment Assembly Kawasaki FH580V AS30	38
Control Equipment Assembly Kawasaki FH580V AS30	40
Carburetor Assembly Kawasaki FH580V AS30	42
Air Filter / Muffler Assembly Kawasaki FH580V AS30	44
Starter Assembly Kawasaki FH580V AS30	46
Label Assembly Kawasaki FH580V AS30	48
Attachments and Accessories	49



Front Frame Assembly

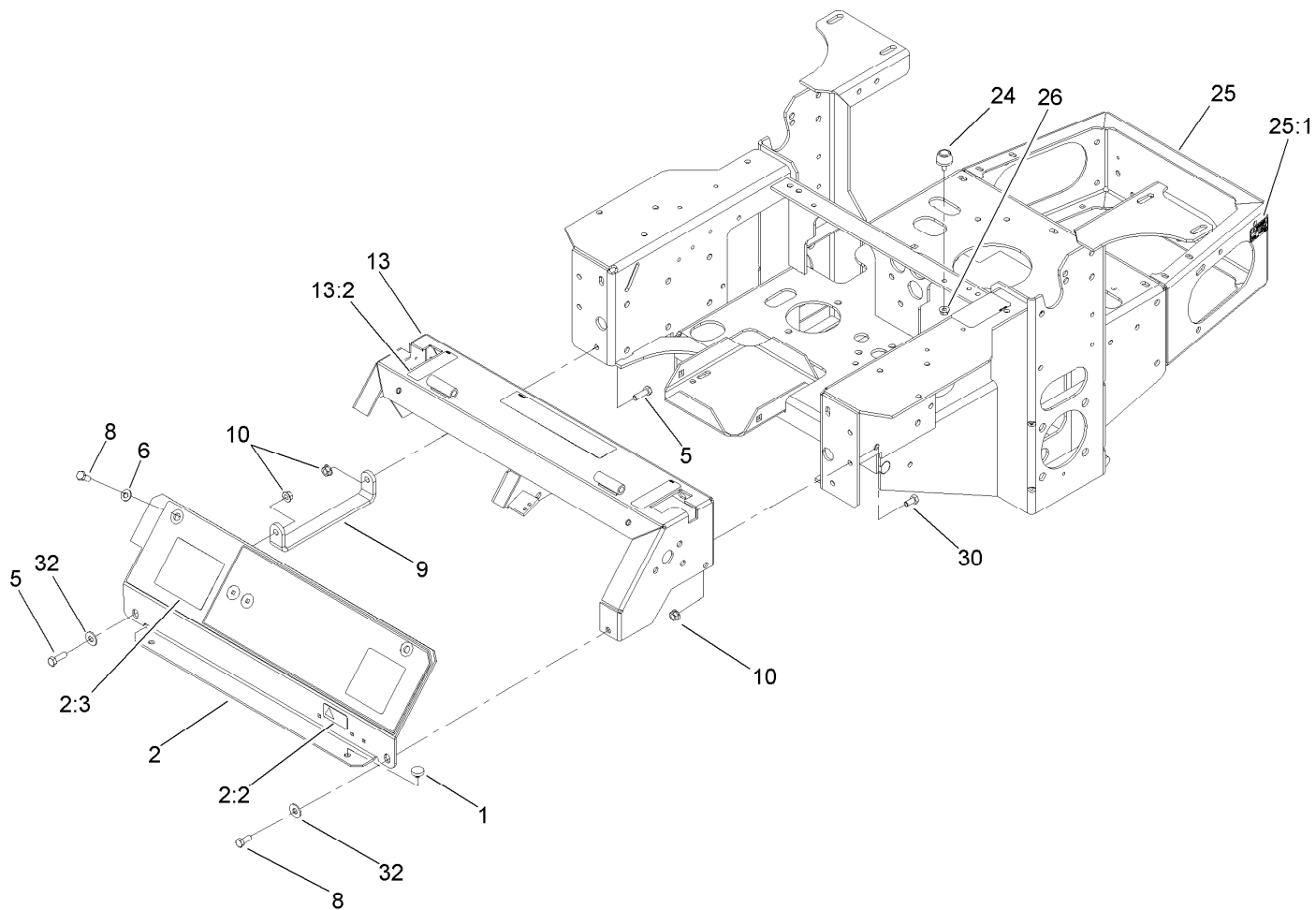
Ref.	Part Number	Qty.	Description	Ref.	Part Number	Qty.	Description
1	103-3800	2	Wheel And Tire ASM	20:1:3	99-3871	1	LH Lift Arm ASM
1:1		1	Wheel And Bearing ASM ●	20:1:4	32151-103	2	Ring-Retaining, EXT
1:1:1	1-633585	2	Bearing-Cone, Taper	20:1:5	3256-29	2	Washer-Flat
1:1:2	103-0063	2	Seal-Caster	20:2	1-633818	1	Decal-Warning
1:1:3	103-3051	2	Spacer-Nut	20:3	106-7451	1	Decal
1:1:4	103-3151	1	Wheel And Tire ASM	20:4	107-2112	1	Decal-Warning
1:1:5	103-3157	1	Axle-Caster	21	32151-103	4	Ring-Retaining, EXT
2	3296-45	2	Nut-Lock, NI	22	3256-29	4	Washer-Flat
3	108-7724-01	2	Caster Fork ASM	23	3290-357	12	Nut-HHF, Whiz
4	1-543511	2	Seal-Grease	24	98-5975	12	Washer-Belleville
5	254-94	4	Bearing-Cone, Tapered	25	323-7	12	Screw-HH
6	1-633508	6	Washer-Belleville	26	3218-2	2	Nut-Jam
7	3296-51	2	Nut-Lock, NI	27	3274-18	2	Screw-HSH
8	103-4882	2	Cap-Grease	31	1-634439	2	Front Frame Spring ASM
12	108-5007-03	1	Floor Pan	31:1	1-633096	1	Rod-Lift, Deck
13	86-2180	2	Bushing-Flange	31:2	1-633441	2	Swivel-Deck Mount, Rear
14	3296-39	2	Nut-Lock, NI	31:3	3217-11	4	Nut-Hex
15	3256-24	2	Washer-Flat	31:4	3218-6	2	Nut-Jam
16	323-8	2	Screw-HH	31:5	3256-7	2	Washer-Flat
17	103-2768	4	Guard-Seal	31:6	1-633064	1	Spring-Support, Deck
18	325-20	2	Screw-HH	35	302-19	4	Fitting-Grease
20	108-7744	1	Front Frame ASM	36	302-5	2	Fitting-Grease
20:1		1	Frame-Front ●	38	254-72	4	Bearing-Cup, Tapered
20:1:2	99-3872	1	RH Lift Arm ASM				

● Not serviced separately



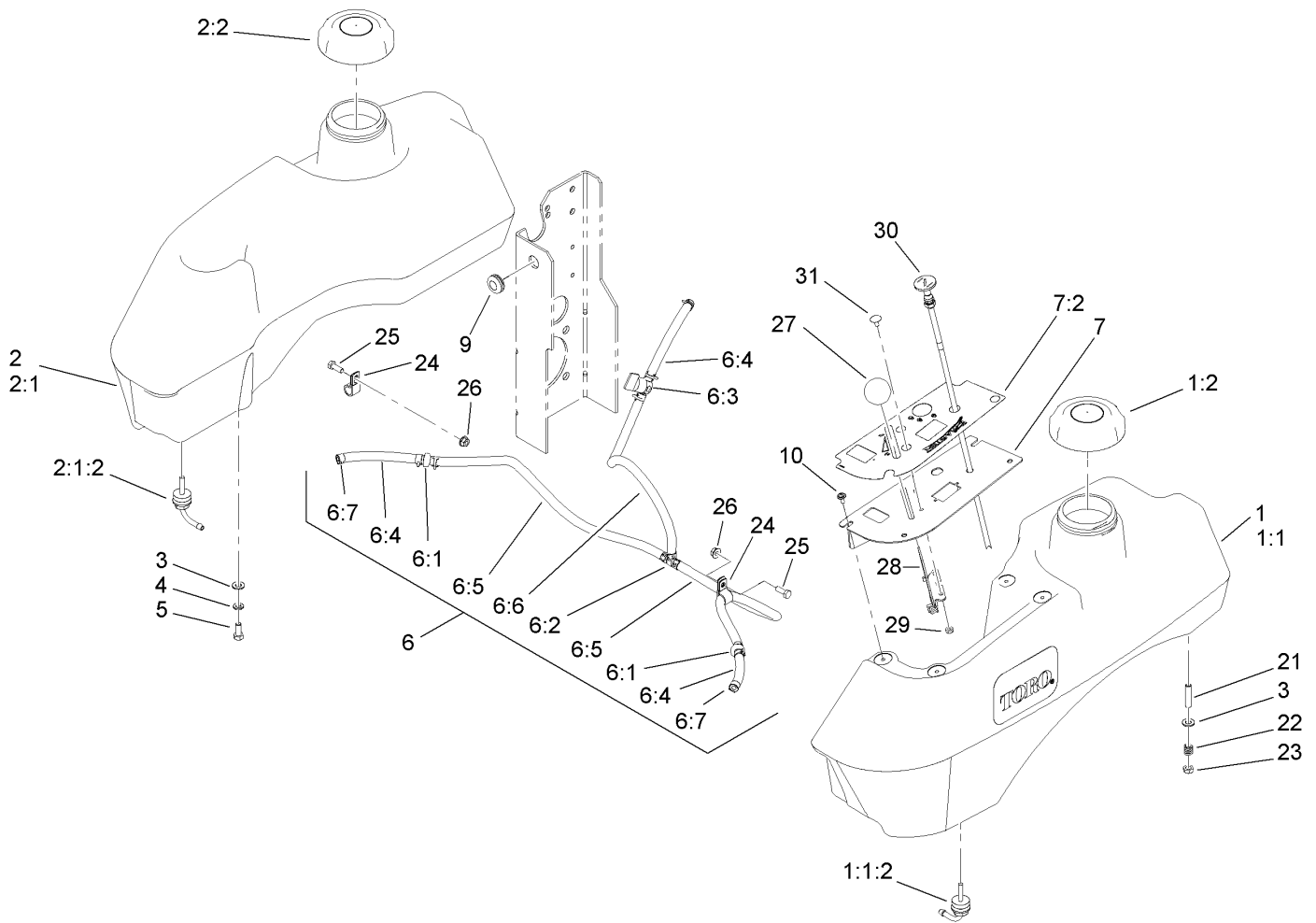
Height-of-Cut Assembly

Ref.	Part Number	Qty.	Description
1	323-9	1	Screw-HH
2	32151-103	1	Ring-Retaining, EXT
3	3290-357	5	Nut-HHF, Whiz
4	3296-39	2	Nut-Lock, NI
5	108-7755-01	1	Plate-Lift, Deck
6	1-633080	1	Bushing-Lever, Lift
7	1-653230-01	1	Plate-Lift, Deck
9	323-6	1	Screw-HH
10	323-13	1	Screw-HH
11	1-633082	1	Bushing-Lever, Lift
12	110-5870	1	Deck Lift Handle ASM
12:1	1-633295	1	Grip-Lever, Lift
12:2	103-2078	1	Handle-Lift
12:3	106-6598	1	Lift Arm ASM
12:4	1-633325	1	Spring-Compression
12:5	3296-39	1	Nut-Lock, NI
12:6	3256-24	1	Washer-Flat
14	106-9951	1	Hitch Pin ASM
15	302-19	1	Fitting-Grease
16	103-1918	2	Bushing
20	1-633068	2	Arm-Lift, Deck
21	323-29	2	Screw-HH
23	108-1050	1	Decal-Deck Height, Inner
26	323-8	1	Screw-HH



Main Frame Assembly

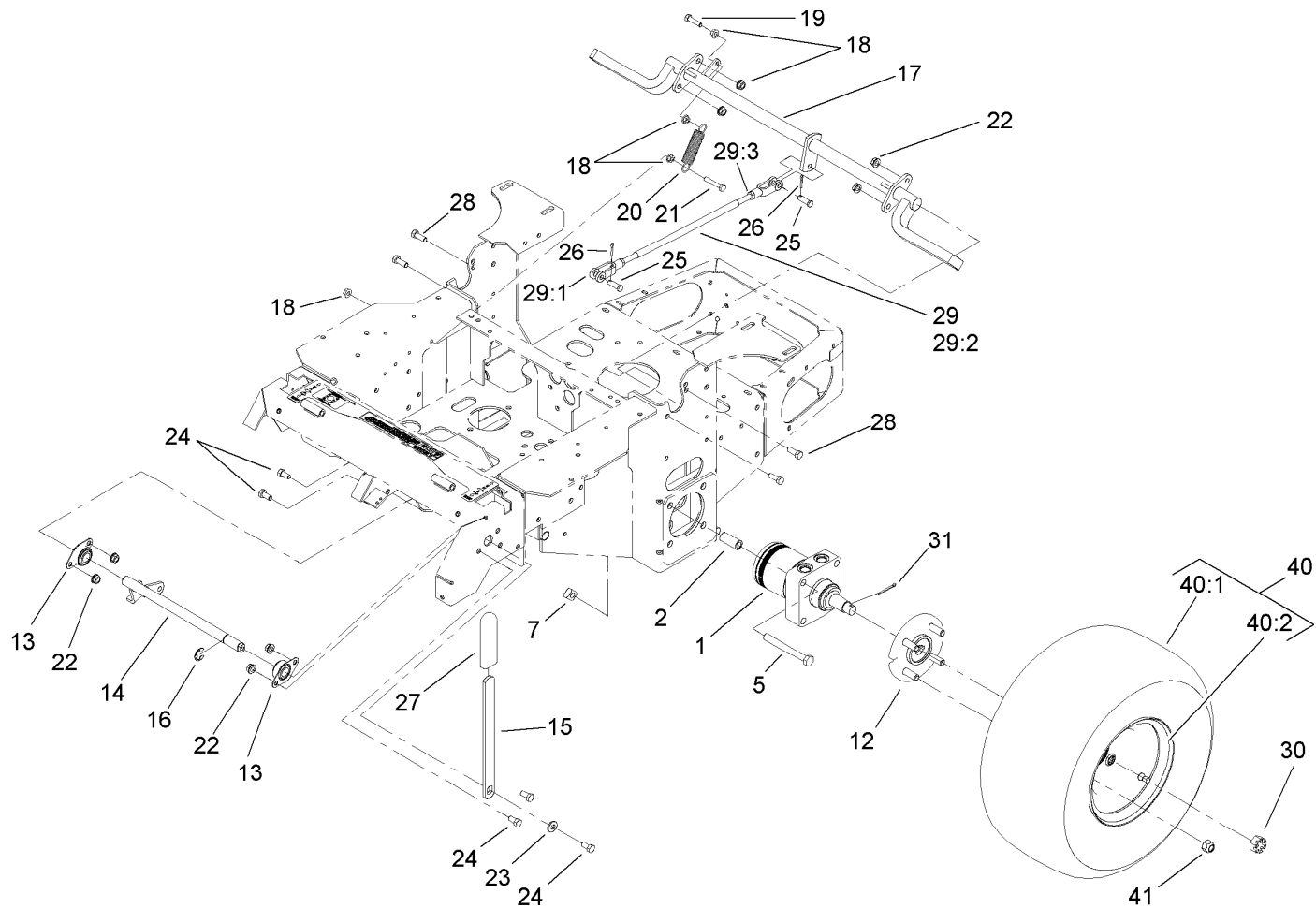
<i>Ref.</i>	<i>Part Number</i>	<i>Qty.</i>	<i>Description</i>
1	1-513658	2	Bumper
2	108-1864	1	Panel ASM
2:2	98-4387	1	Decal-Protection, Ear
2:3	107-8445	1	Decal-Cover, Panel
5	322-5	2	Screw-HH
6	3256-23	2	Washer-Flat
8	322-3	3	Screw-HH
9	103-7935-03	1	Bracket-Panel, Instrument
10	32128-20	6	Nut-HF
13	108-5997	1	Console ASM
13:2	108-5995	1	Decal-Warning
24	109-2365	2	Bumper-Rubber (W/Stud)
25	112-9006	1	Main Frame ASM
25:1	65-2690	1	Decal-Surface, Hot
26	32128-33	2	Nut-HF
30	322-2	4	Screw-HH
32	3256-3	2	Washer-Flat



Fuel System Assembly

Ref.	Part Number	Qty.	Description	Ref.	Part Number	Qty.	Description
1	110-4165	1	LH Fuel Tank Service Kit	6:6	109-0297	1	Hose-Fuel
1:1		1	LH Fuel Tank ASM ●	6:7	1-303077	12	Clamp
1:1:2	103-2605	1	Fitting-Fuel, Bulkhead	7	107-2149	1	Control Panel ASM
1:2	109-0346	1	Cap-Fuel, Gas	7:2	110-0439	1	Decal-Panel, Control
2	105-3639	1	RH Fuel Tank Service Kit	9	1-543296	2	Grommet
2:1		1	RH Fuel Tank ASM ●	10	109-2661	4	Screw-PPH
2:1:2	103-2605	1	Fitting-Fuel, Bulkhead	21	1-633023	4	Stud
2:2	109-0346	1	Cap-Fuel, Gas	22	1-633349	4	Spring-Tank, Fuel
3	3256-23	8	Washer-Flat	23	3296-47	4	Nut-Lock, NI
4	1-805005	4	Washer-Lock	24	1-513762	4	Clip-Loom
5	322-3	4	Screw-HH	25	321-4	2	Screw-HH
6		1	Fuel Line ASM ●	26	32128-33	2	Nut-HF
6:1	99-5000	2	Valve-Check, Fuel	27	1-513592	1	Knob-Ball
6:2	99-5005	1	Fitting-Tee, Barbed	28	1-633696	1	Throttle Cable ASM
6:3	1-603770	1	Valve-Fuel	29	3296-2	2	Nut-Lock, NI
6:4	109-0678	3	Hose-Fuel	30	106-9962	1	Control-Choke, Push / Pull
6:5	110-5701	2	Hose-Fuel	31	1-807513	2	Bolt-CARR

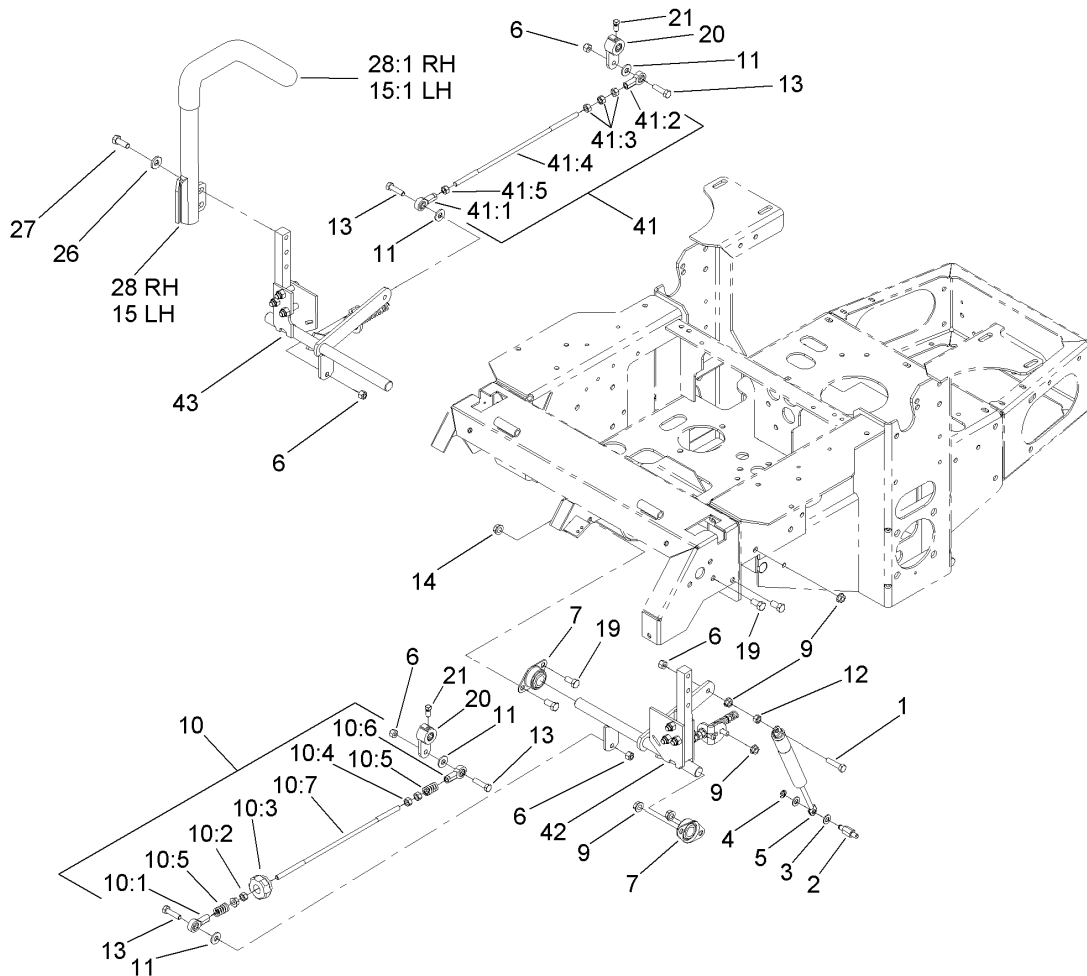
● Not serviced separately



Parking Brake Assembly

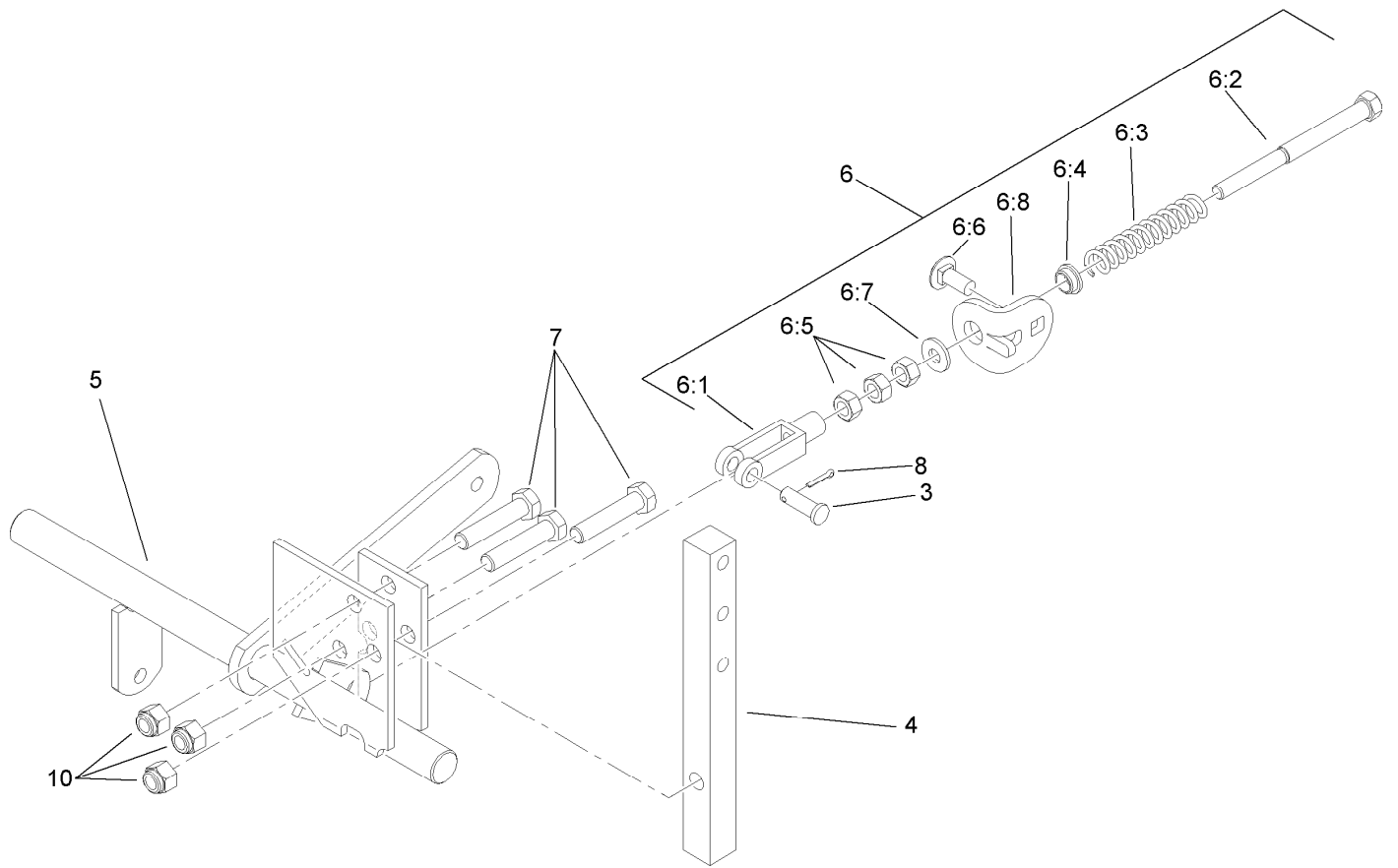
Ref.	Part Number	Qty.	Description	Ref.	Part Number	Qty.	Description
1	103-4695	2	Motor-Wheel	23	98-5975	1	Washer-Belleville
1:1	1-000119	1	Seal Kit ●	24	323-4	5	Screw-HH
1:2	1-000138	1	Bearing Kit ●	25	1-808285	2	Pin-Clevis
2	103-8503	8	Spacer-Motor, Wheel	26	3272-10	2	Pin-Cotter
5	325-18	8	Screw-HH	27	1-633268	1	Grip-Lever, Brake
7	109-5618	8	Nut-Square, Special	28	323-6	4	Screw-HH
12	110-5812	2	Wheel Hub ASM	29	103-4335	1	Brake Rod ASM
13	1-633102	2	Bearing-Flange, Side	29:1	1-633131	2	Yoke-Linkage, Brake
14	103-3116	1	Shaft-Brake, Parking	29:2	103-3907	1	Linkage-Handle, Brake
15	107-9255-03	1	Handle-Brake, Parking	29:3	3219-3	2	Nut-Hex
16	32151-48	1	E-Ring	30	32136-5	2	Nut-Hex, Slotted
17	103-3960-03	1	Brake	31	1-806800	2	Pin-Cotter
18	32128-20	4	Nut-HF	40	1-543396	2	Wheel And Tire ASM
19	322-6	1	Screw-HH	40:1	1-543680	1	Tire
20	1-323161	1	Spring-Idler	40:2	1-513042	1	Wheel
21	322-9	1	Screw-HH	41	242-50	8	Nut-Lug
22	3290-357	8	Nut-HHF, Whiz				

● Not illustrated



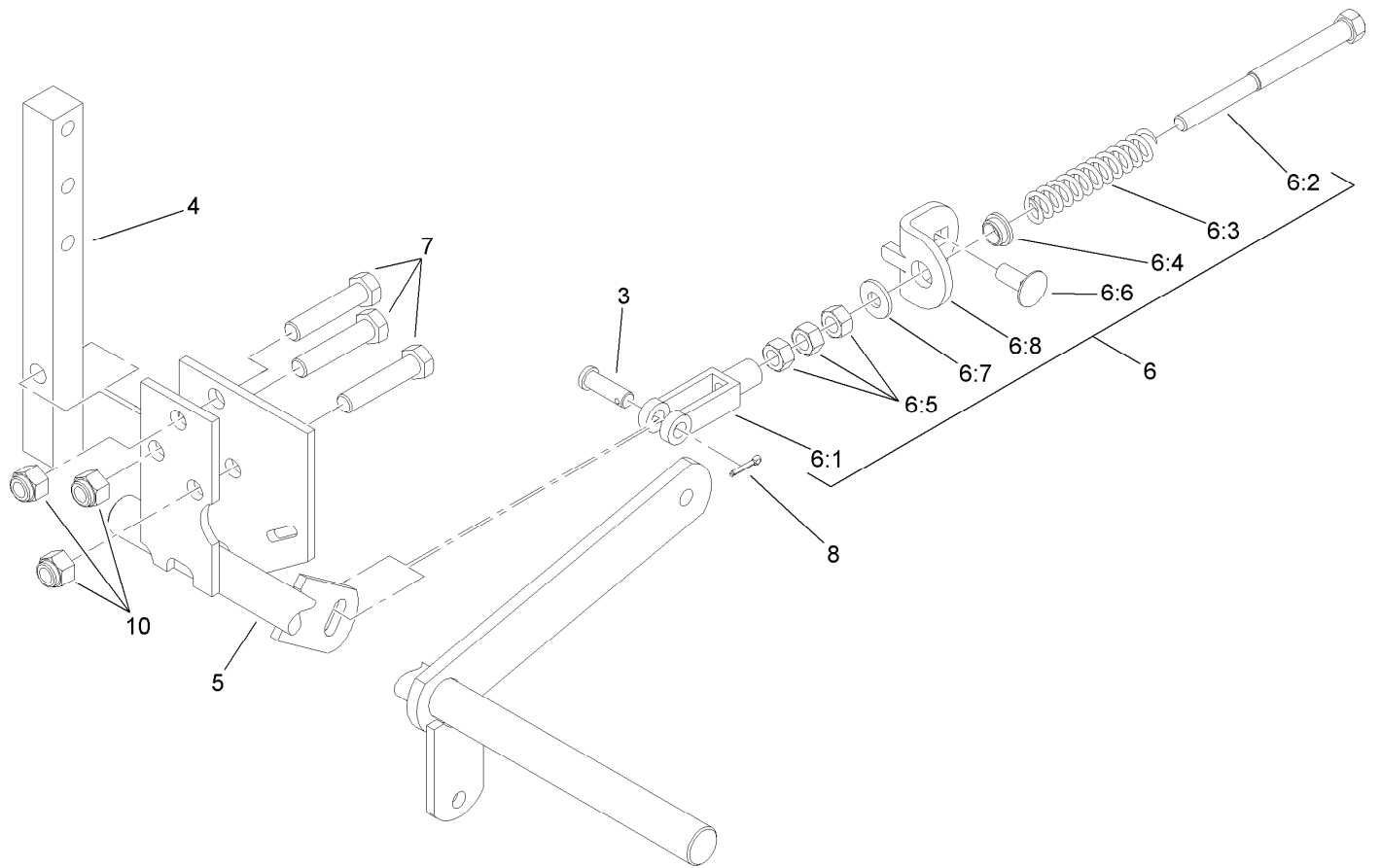
Motion Control Assembly

Ref.	Part Number	Qty.	Description	Ref.	Part Number	Qty.	Description
1	1-403180	2	Screw-HH	14	3290-357	6	Nut-HHF, Whiz
2	103-4101	2	Pin-Damper	15	103-0631	1	LH Lever ASM
3	3256-23	4	Washer-Flat	15:1	1-633257	1	Grip-Control, Motion
4	32120-35	2	Ring-Retaining, EXT	19	323-4	6	Screw-HH
5	109-2339	2	Damper-Control, Motion	20	103-3717	2	Arm-Control
6	3296-29	6	Nut-Lock, NI	21	1-803022	2	Screw-Set
7	1-633102	4	Bearing-Flange, Side	26	98-5975	4	Washer-Belleville
9	32128-20	10	Nut-HF	27	323-6	4	Screw-HH
10	103-4326	1	Tracking Rod ASM	28	103-0632	1	RH Lever ASM
10:1	1-543017	1	Balljoint-RH	28:1	1-633257	1	Grip-Control, Motion
10:2	3219-2	1	Nut-Hex	41	103-4327	1	Tracking ASM
10:3	103-3060	1	Knob-Tracking	41:1	1-543017	1	Balljoint-RH
10:4	1-804524	2	Nut	41:2	1-633152	1	Balljoint-LH
10:5	1-323245	2	Spring-Compression	41:3	1-804524	1	Nut
10:6	1-633152	1	Balljoint-LH	41:4	103-3066	1	Link-Rod, Tracking
10:7	103-3066	1	Link-Rod, Tracking	41:5	3219-2	3	Nut-Hex
11	3256-3	4	Washer-Flat	42	109-3912	1	LH Motion Control ASM
12	3217-6	2	Nut-Hex	43	109-3911	1	RH Motion Control ASM
13	322-6	4	Screw-HH				



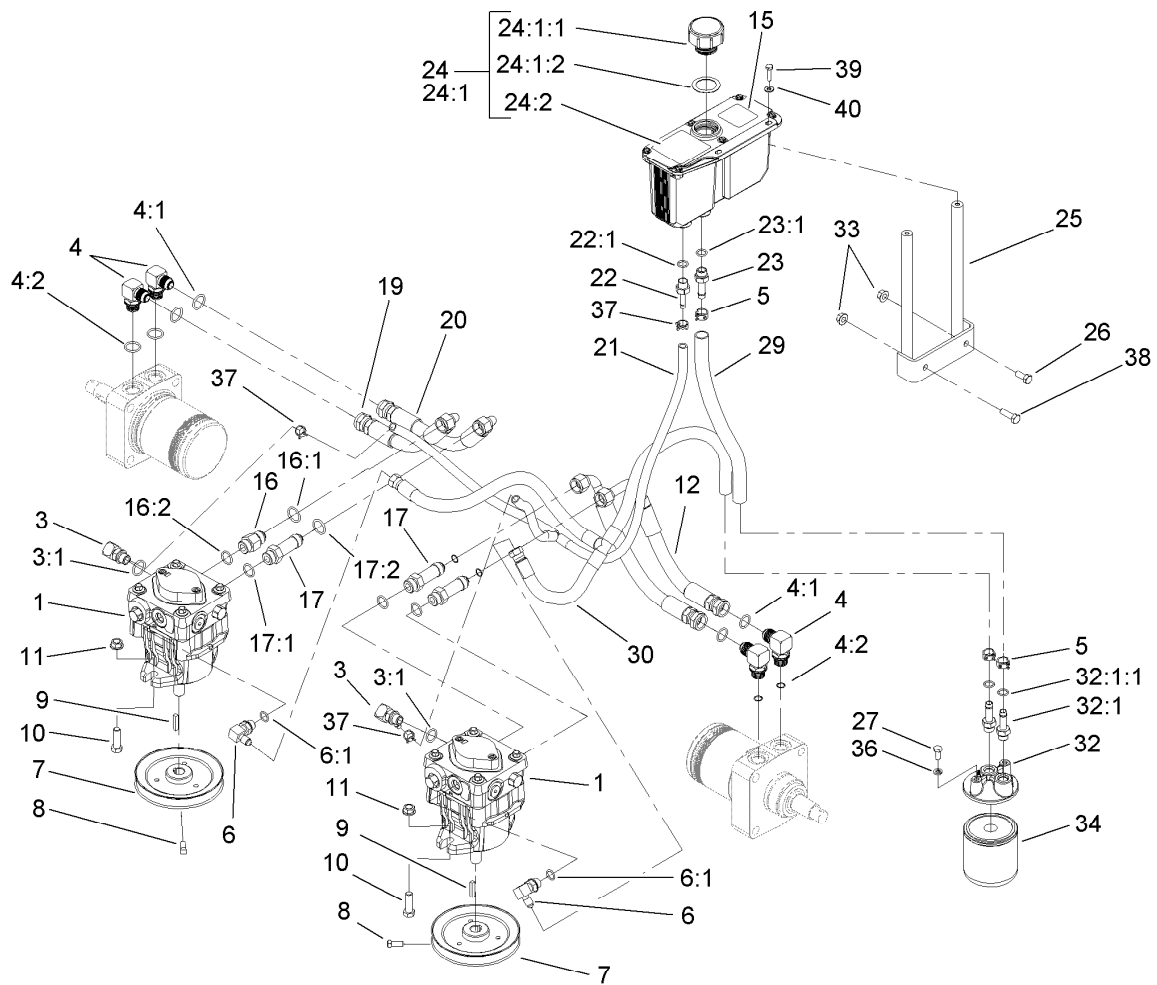
LH Motion Control Assembly No. 109-3912

<i>Ref.</i>	<i>Part Number</i>	<i>Qty.</i>	<i>Description</i>
3	1-808280	1	Pin-Clevis
4	103-0407	1	Arm-Shaft, Control
5	103-4774	1	Control-Motion, LH
6	109-3903	1	Neutral Return ASM
6:1	1-303105	1	Yoke-Adjustable
6:2	1-603737	1	Bolt-Return, Neutral
6:3	1-603807	1	Spring-Return, Neutral
6:4	109-3769	1	Bushing-Nylon, Flanged
6:5	3219-2	3	Nut-Hex
6:6	3230-23	1	Screw-CARR
6:7	3256-2	1	Washer-Flat
6:8	109-3908	1	Tab-Adjustment
7	323-9	3	Screw-HH
8	3272-5	1	Pin-Cotter
10	3296-39	3	Nut-Lock, NI



RH Motion Control Assembly No. 109-3911

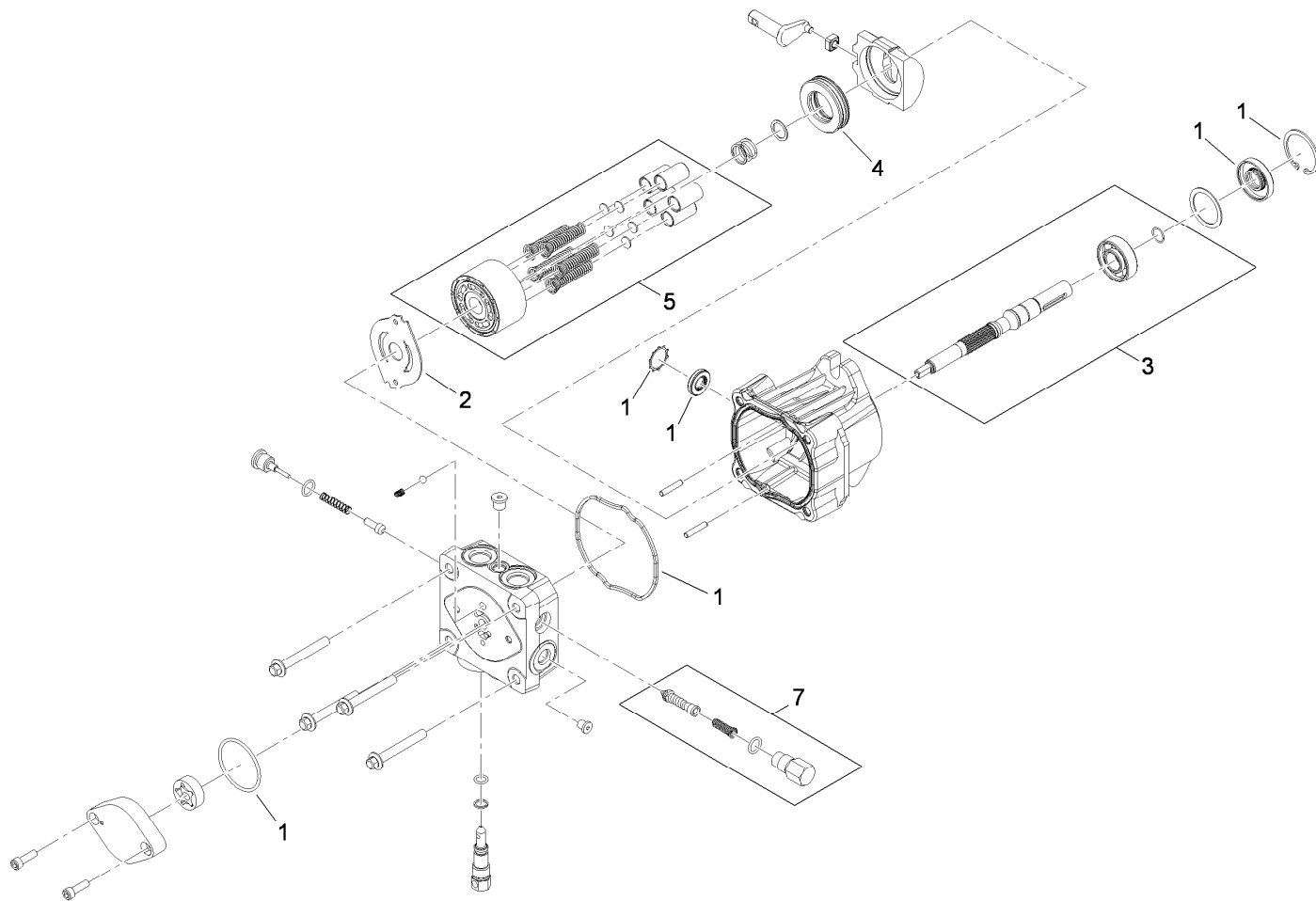
<i>Ref.</i>	<i>Part Number</i>	<i>Qty.</i>	<i>Description</i>
3	1-808280	1	Pin-Clevis
4	103-0407	1	Arm-Shaft, Control
5	103-4773	1	Control-Motion, RH
6	109-3903	1	Neutral Return ASM
6:1	1-303105	1	Yoke-Adjustable
6:2	1-603737	1	Bolt-Return, Neutral
6:3	1-603807	1	Spring-Return, Neutral
6:4	109-3769	1	Bushing-Nylon, Flanged
6:5	3219-2	3	Nut-Hex
6:6	3230-23	1	Screw-CARR
6:7	3256-2	1	Washer-Flat
6:8	109-3908	1	Tab-Adjustment
7	323-9	3	Screw-HH
8	3272-5	1	Pin-Cotter
10	3296-39	3	Nut-Lock, NI



Hydraulic System Assembly

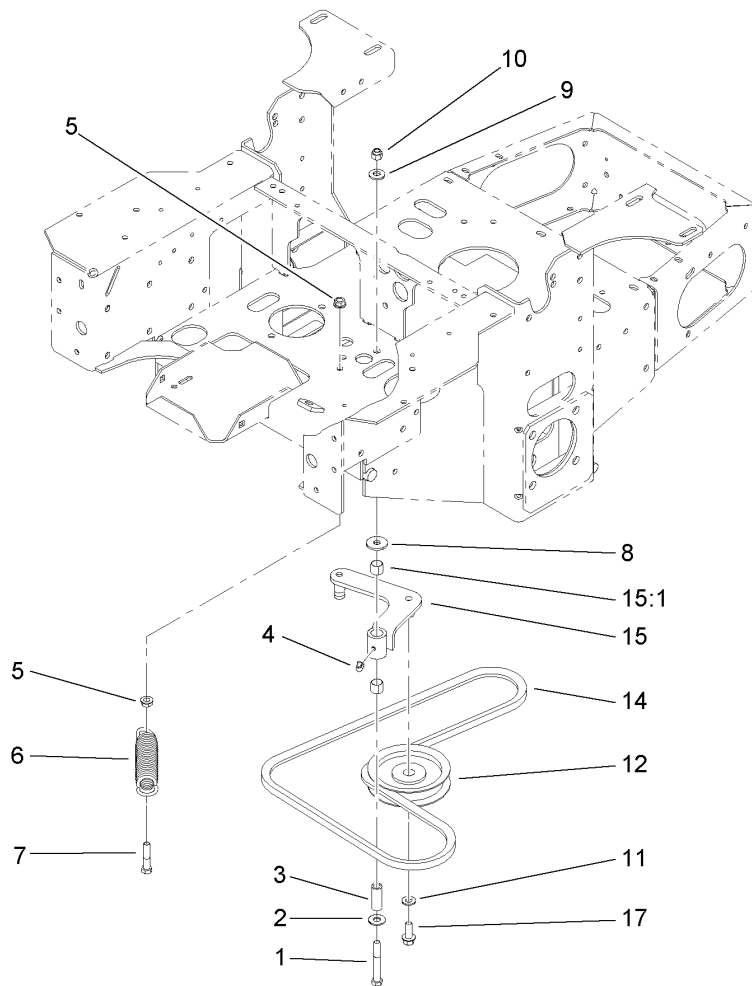
Ref.	Part Number	Qty.	Description	Ref.	Part Number	Qty.	Description
1	103-4040	2	Pump-Hydraulic	22	103-1801	1	Adapter-Straight
3	103-1799	2	Elbow-90 DEG	22:1	237-42	1	O-Ring
3:1	237-42	1	O-Ring	23	103-1912	1	Adapter-Straight
4	103-2153	4	Fitting-90 DEG	23:1	237-42	1	O-Ring
4:1	1-603920	1	O-Ring	24	103-1947	1	HYD Reservoir ASM
4:2	1-603992	1	O-Ring	24:1		1	Reservoir-HYD ●
5	103-1988	3	Clamp-Hose	24:1:1	103-1948	1	Cap-Reservoir, HYD
6	103-1802	2	Fitting-HYD, 90 DEG	24:1:2	103-1949	1	Gasket-Cap
6:1	1-603921	1	O-Ring	24:2	1-523552	1	Decal-Tank, HYD
7	1-653156	2	Pulley	25	103-3071-03	1	Stand-Reservoir
8	1-803050	2	Screw-Set	26	322-3	1	Screw-HH
9	1-807272	2	Key	27	321-3	2	Screw-HH
10	323-7	4	Screw-HH	29	103-3077	1	HYD Hose ASM
11	3290-357	5	Nut-HHF, Whiz	30	103-2930	1	HYD Hose ASM
12	103-4022	1	Hose-Rear, LH	32	103-2889	1	Filter Head ASM
15	103-2644	1	Decal-Exhaust	32:1	103-1912	2	Adapter-Straight
16	103-4020	1	Adapter-Straight	32:1:1	237-42	1	O-Ring
16:1	1-603920	1	O-Ring	33	32128-20	2	Nut-HF
16:2	1-603992	1	O-Ring	34	1-633752	1	Filter-HYD, Winter
17	103-1940	3	Adapter-HYD, Straight	34	1-633750	1	Filter-Oil, HYD
17:1	237-79	1	O-Ring	36	1-805004	2	Washer-Lock
17:2	1-603992	1	O-Ring	37	103-1716	3	Clamp-Hose
19	103-4021	1	Hose-Rear, RH	38	322-5	1	Screw-HH
20	1-653187	2	Hose-Rear, RH	39	321-6	2	Screw-HH
21	103-2357	1	HYD Hose ASM	40	3256-22	2	Washer-Flat

● Not serviced separately



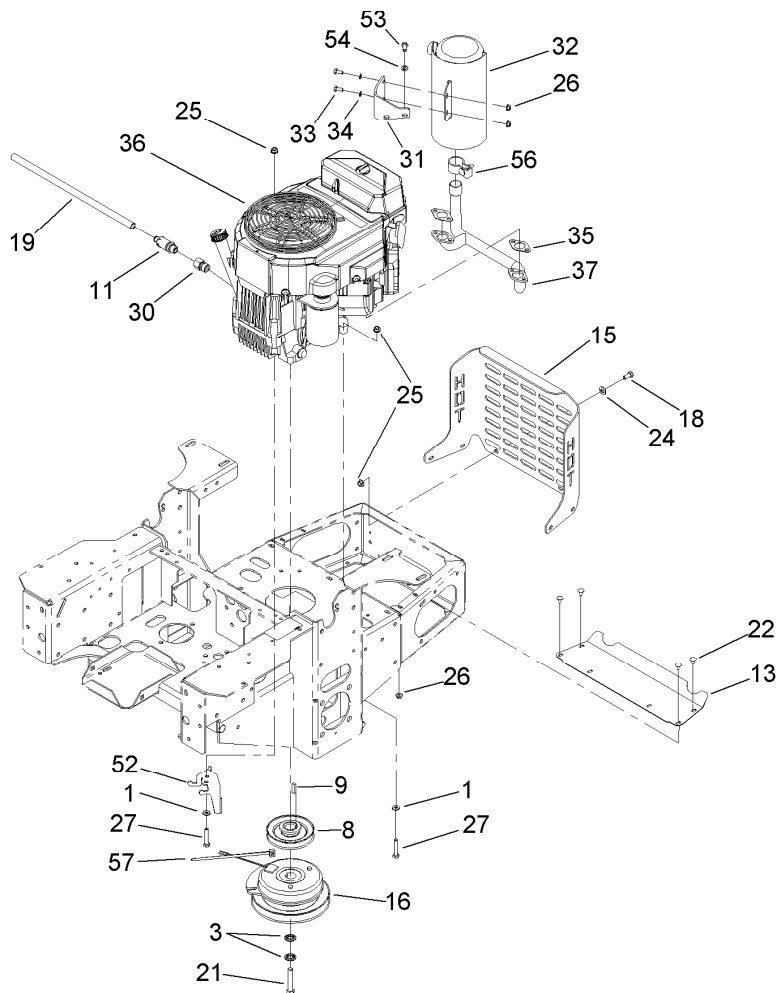
Hydraulic Pump Assembly No. 103-4040

<i>Ref.</i>	<i>Part Number</i>	<i>Qty.</i>	<i>Description</i>
1	105-6184	1	Seal Overhaul Kit
2	105-6185	1	Plate-Valve
3	103-2664	1	Input Shaft Kit
4	94-6922	1	Bearing-Thrust
5	103-2666	1	Cylinder Block Kit
7	106-2053	1	Shock Valve Kit



Pump Idler and Belt Assembly

Ref.	Part Number	Qty.	Description
1	323-13	1	Screw-HH
2	3256-4	1	Washer-Flat
3	1-603044	1	Bushing
4	302-40	1	Fitting-Grease
5	3290-357	2	Nut-HHF, Whiz
6	103-4480	1	Spring-Extension
7	323-9	1	Screw-HH
8	63-8410	1	Washer
9	98-5975	1	Washer-Belleville
10	3296-39	1	Nut-Lock, NI
11	3256-24	1	Washer-Flat
12	1-603843	1	Pulley-Idler
14	107-3959	1	Belt-Cog
15	103-4482	1	Idler Arm ASM
15:1	103-4681	2	Sleeve-Bearing
17	3234-11	1	Screw-HHF

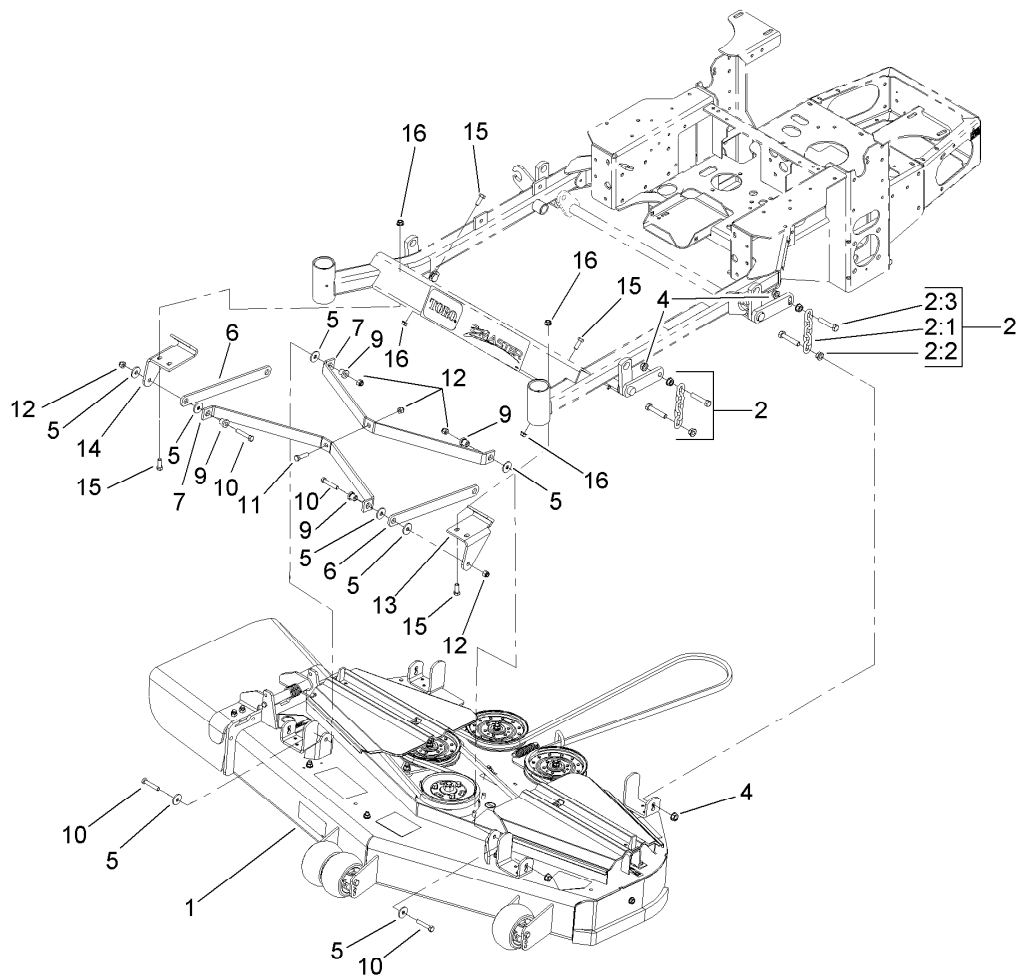


Engine, Clutch and Muffler Assembly

Ref.	Part Number	Qty.	Description	Ref.	Part Number	Qty.	Description
1	1-303334	4	Washer-Spring	30	103-1966	1	Adapter
3	1-603610	2	Washer-Spring	31	103-4578-03	1	Bracket-Muffler
8	1-653035	1	Pulley	32	103-8106	1	Muffler
9	1-807259	1	Key	33	321-3	2	Screw-HH
11	92-6877	1	Valve-Drain, Oil	34	1-303435	2	Washer-Spring
13	103-2740-03	1	Deflector-Short	35	1-653290	2	Gasket-Exhaust
15	103-4048-03	1	Bumper-Rear	36		1	Engine-Kawasaki, FH580V-As30 ●■
16	104-3624	1	Clutch	37	103-4577	1	Manifold-Exhaust
18	322-3	6	Screw-HH	52	109-7070-03	1	Anchor-Clutch
19	106-7022	1	Tube-Drain, Oil	53	33114-020	2	Screw-HH
21	3212-10	1	Screw-HH	54	1-805005	2	Washer-Lock
22	3229-10	4	Screw-CARR	56	103-8368	1	Clamp-Muffler, 1.25 Flat Band
24	3256-24	6	Washer-Flat	57	1-303335	1	Tie-Plastic
25	32128-20	10	Nut-HF				
26	32128-33	6	Nut-HF				
27	322-9	4	Screw-HH				

● Not serviced separately

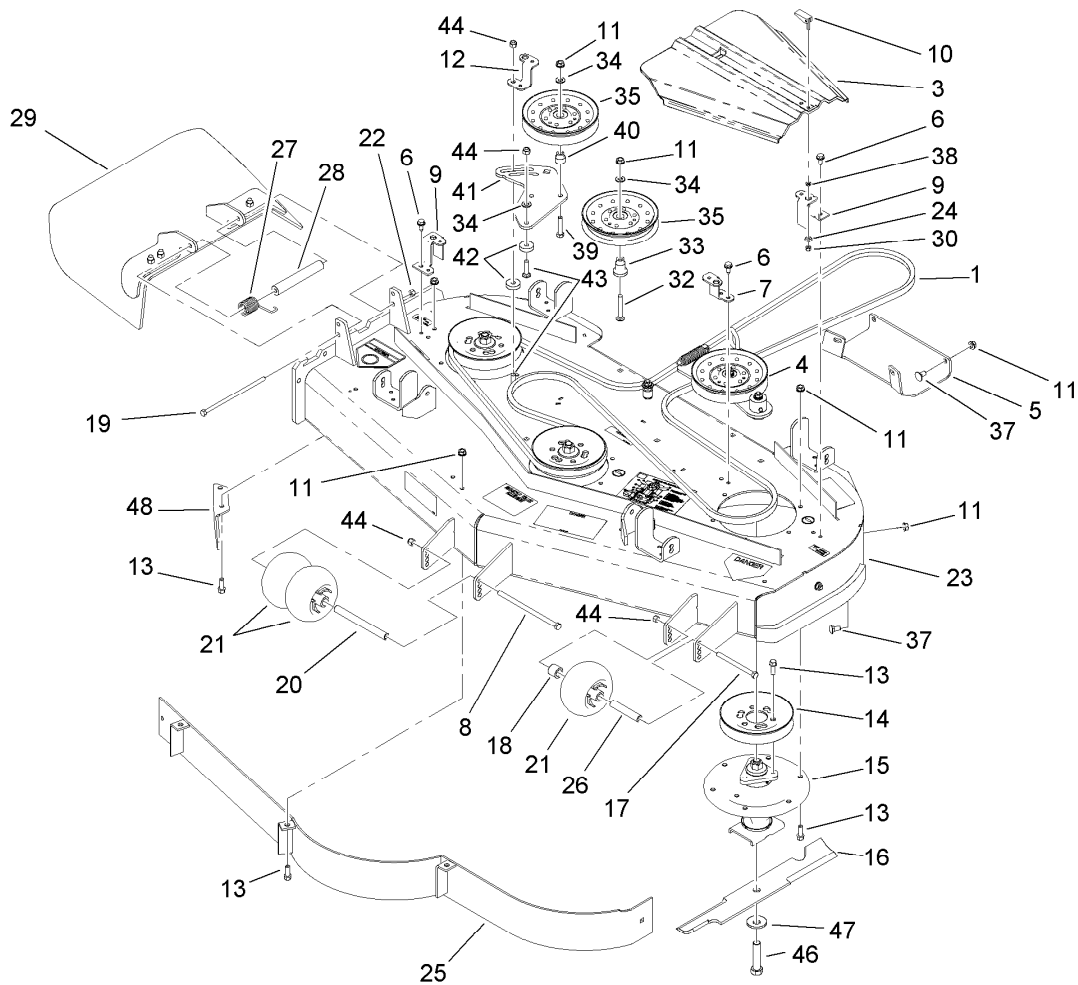
■ Obtain parts from www.kawpowerepc.com



Deck Connection Assembly

Ref.	Part Number	Qty.	Description
1		1	Deck ASM ●
2	103-9792	4	Deck Chain ASM
2:1	1-633447	1	Chain-Lift, Deck
2:2	103-1898	2	Screw-HH
2:3	32128-37	2	Nut-HF
4	32128-37	8	Nut-HF
5	63-8410	8	Washer
6	107-1698-01	2	Strut-Flat
7	108-2168-01	2	Brace-Cross
9	65-5950	4	Bushing-Pulley
10	323-10	4	Screw-HH
11	323-8	1	Screw-HH
12	3296-39	6	Nut-Lock, NI
13	108-2164-01	1	Plate-Pull, LH
14	108-2165-01	1	Plate-Pull, RH
15	323-6	8	Screw-HH
16	3290-357	8	Nut-HHF, Whiz

● Not serviced separately

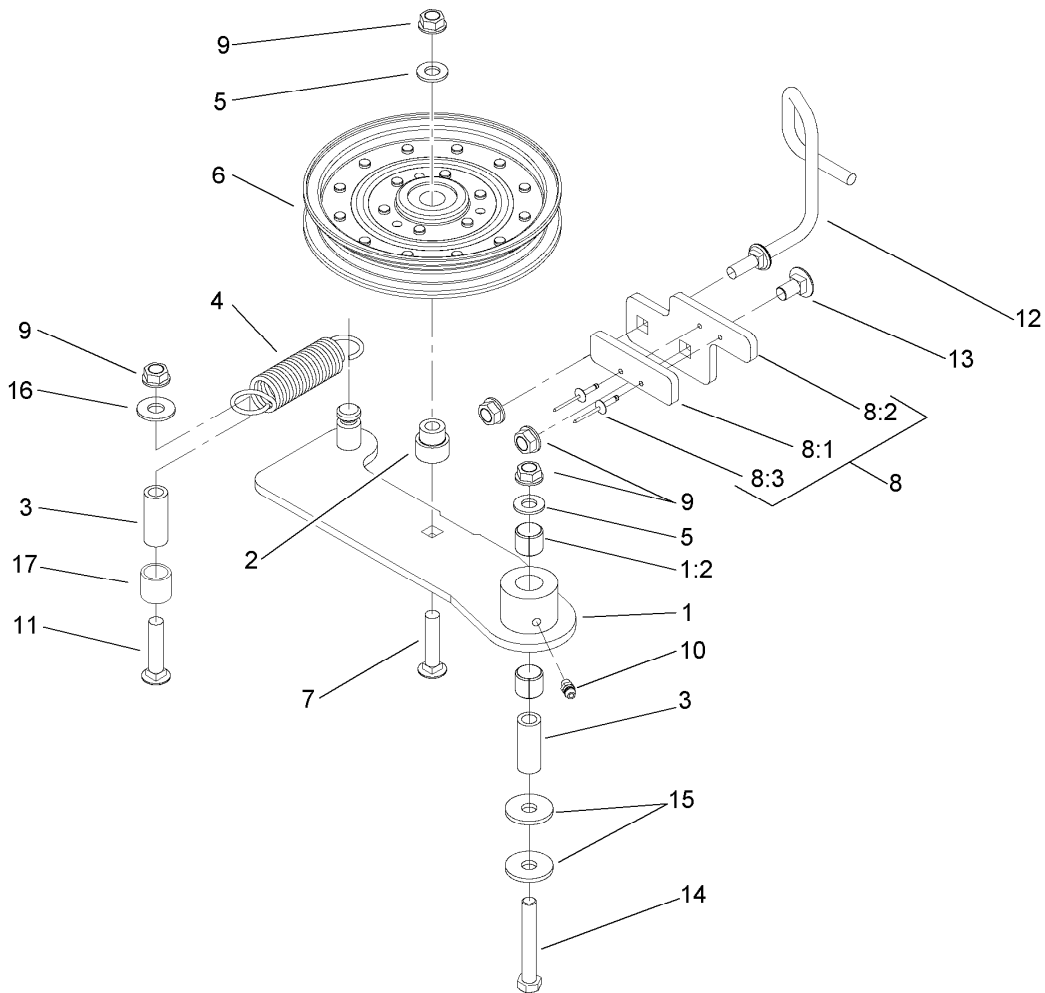


Deck Assembly

Ref.	Part Number	Qty.	Description	Ref.	Part Number	Qty.	Description
1	106-7369	1	Belt-V	26	98-7912	1	Tube-Spanner
3	107-8536	2	Cover-Belt	27	108-4052	1	Spring-Torsion
4		1	Spring Idler ASM ■	28	105-4622	1	Spacer
5	106-7358-01	1	Plate-Skid	29	108-7770	1	Rubber Deflector ASM
6	32144-70	3	Screw-HWHTF	30	1-804254	2	Nut
7	108-2177-01	1	Bracket-Cover, Tall	32	3231-31	1	Screw-CARR
8	323-28	1	Screw-HH	33	106-3214	1	Mount-Pulley
9	108-4121-01	2	Bracket-Cover	34	3256-24	3	Washer-Flat
10	106-6777	2	Handle-Latch, Swell	35	1-633109	2	Idler-Flat
11	3290-357	37	Nut-HHF, Whiz	37	3231-1	12	Screw-CARR
12	108-2178-01	1	Bracket-Cover, Short	38	99-3058	2	Washer
13	92-1624	32	Screw-HWH	39	323-9	1	Screw-HH
14	107-1683	3	Pulley	40	1-603496	1	Bushing-Idler
15	107-8504	3	Spindle ASM	41	107-8516-01	1	Plate-Idler
16	105-7781-03	3	Blade-18 Inch (Hi Flow)	42	105-7788	2	Spacer
17	323-23	1	Screw-HH	43	3231-4	2	Screw-CARR
18	98-7913	1	Tube-Spacer	44	3296-39	4	Nut-Lock, NI
19	322-50	1	Screw-HH	46	103-0862	3	Screw-Cap
20	98-5967	1	Spacer-Wheel	47	103-0865	3	Washer-Blade Bolt, Heavy
21	1-603299	3	Roller-Scalp, Anti	48	106-3216-01	1	Baffle-Discharge
22	3296-29	1	Nut-Lock, NI	99	105-7779-03	1	Blade-Recycler ●
23	107-1693	1	Deck ASM	99	105-7794-03	1	Blade-Med Flow ●
24	106-6778	2	Bushing-Latch, Swell	99	105-7795-03	1	Blade-Low Flow ●
25	108-2185-01	1	Baffle ASM	99	105-7796-03	1	Blade-Atomic ●

● Optional Equipment

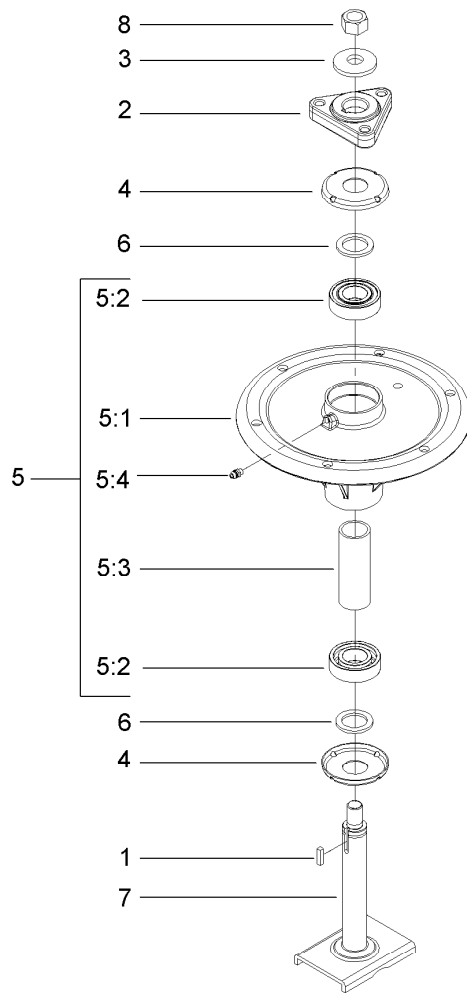
■ Not serviced separately



Idler Assembly

<i>Ref.</i>	<i>Part Number</i>	<i>Qty.</i>	<i>Description</i>
1	108-4062	1	Idler Arm ASM
1:2	103-4681	2	Sleeve-Bearing
2	1-603496	1	Bushing-Idler
3	1-603044	2	Bushing
4	108-4056	1	Spring-Extension
5	3256-24	2	Washer-Flat
6	1-633109	1	Idler-Flat
7	3231-6	1	Screw-CARR
8		1	Stop Pad ASM ●
8:1	106-3229	1	Pad-Bumper
8:2	107-1697-01	1	Plate-Stop
8:3	3269-24	2	Rivet
9	3290-357	5	Nut-HHF, Whiz
10	302-5	1	Fitting-Grease
11	3231-31	1	Screw-CARR
12	108-4072	1	Guide-Belt
13	3231-1	1	Screw-CARR
14	323-12	1	Screw-HH
15	2844	2	Washer
16	3256-4	1	Washer-Flat
17	108-4063	1	Spacer-Rubber

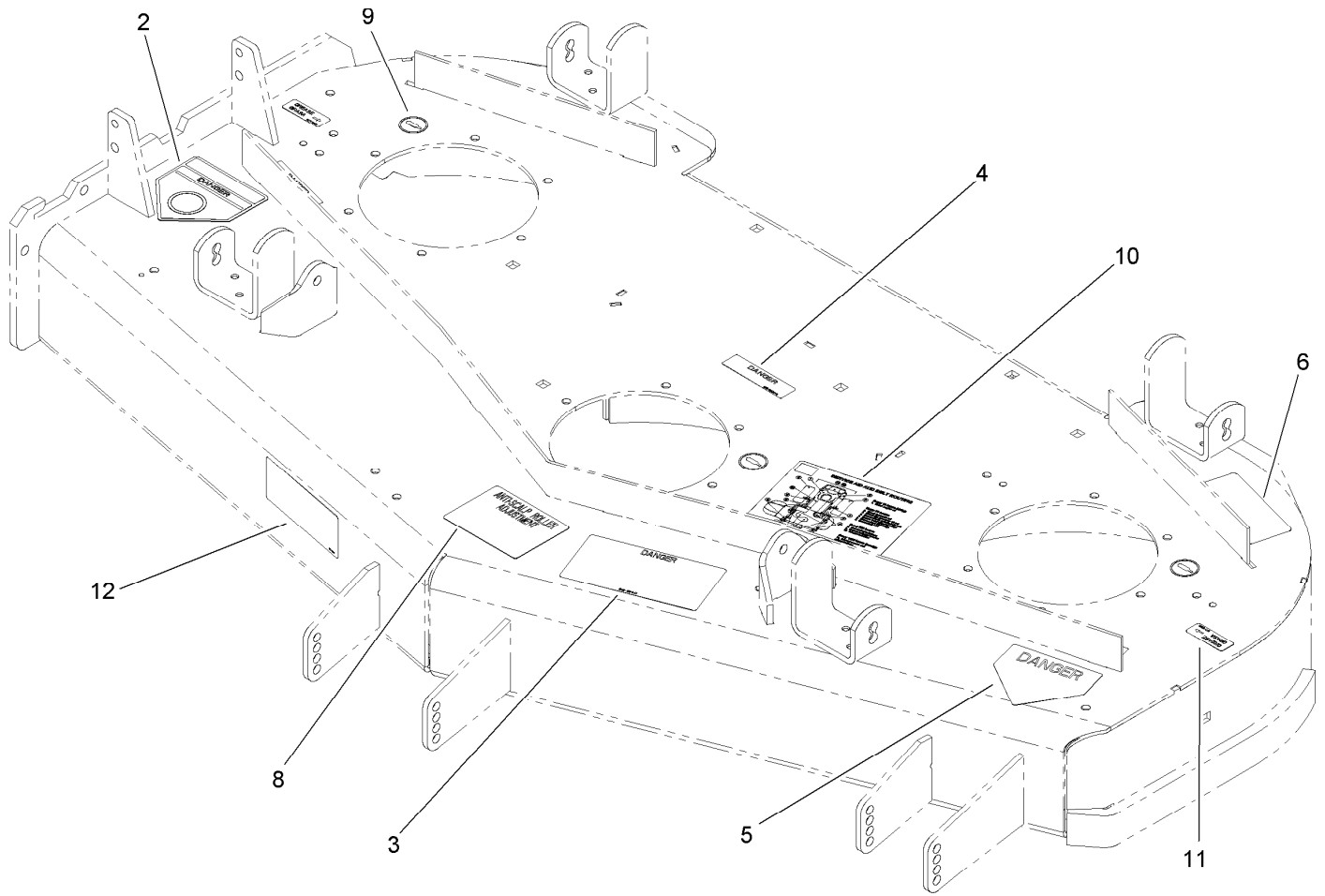
● Not serviced separately



Spindle Assembly No. 107-8504

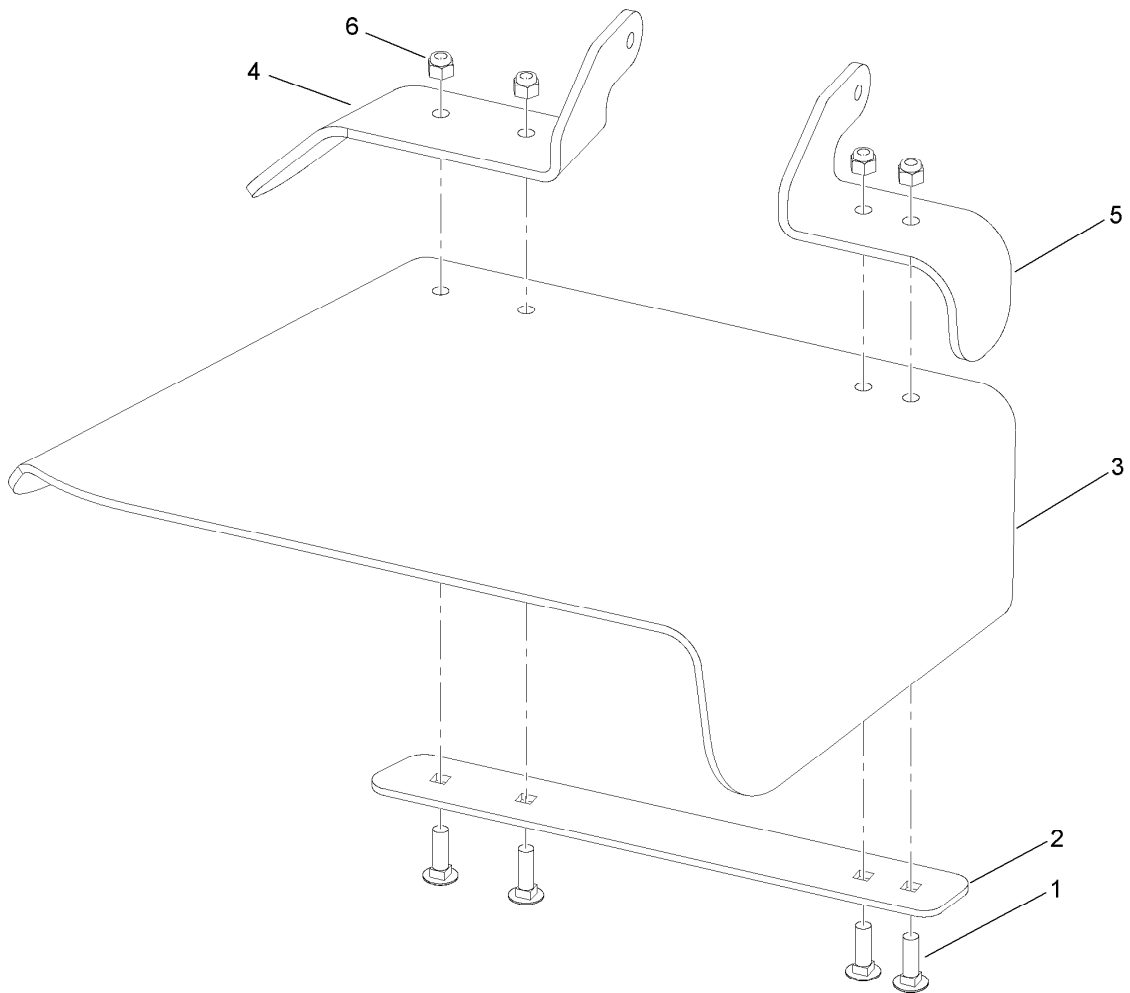
<i>Ref.</i>	<i>Part Number</i>	<i>Qty.</i>	<i>Description</i>
1	10-8040	1	Key-Square
2	106-3277	1	Hub-Pulley
3	103-0865	1	Washer-Blade Bolt, Heavy
4	106-3204	2	Shield-Bearing
5		1	Spindle Bearing ASM ●
5:1	106-3211	1	Housing-Spindle
5:2	113514	2	Bearing-Ball
5:3	107-8502	1	Spacer-Bearing
5:4	302-5	1	Fitting-Grease
6	3-8514	2	Washer-Thrust
7	107-8501	1	Spindle ASM
8	3219-6	1	Nut-Hex

● Not serviced separately



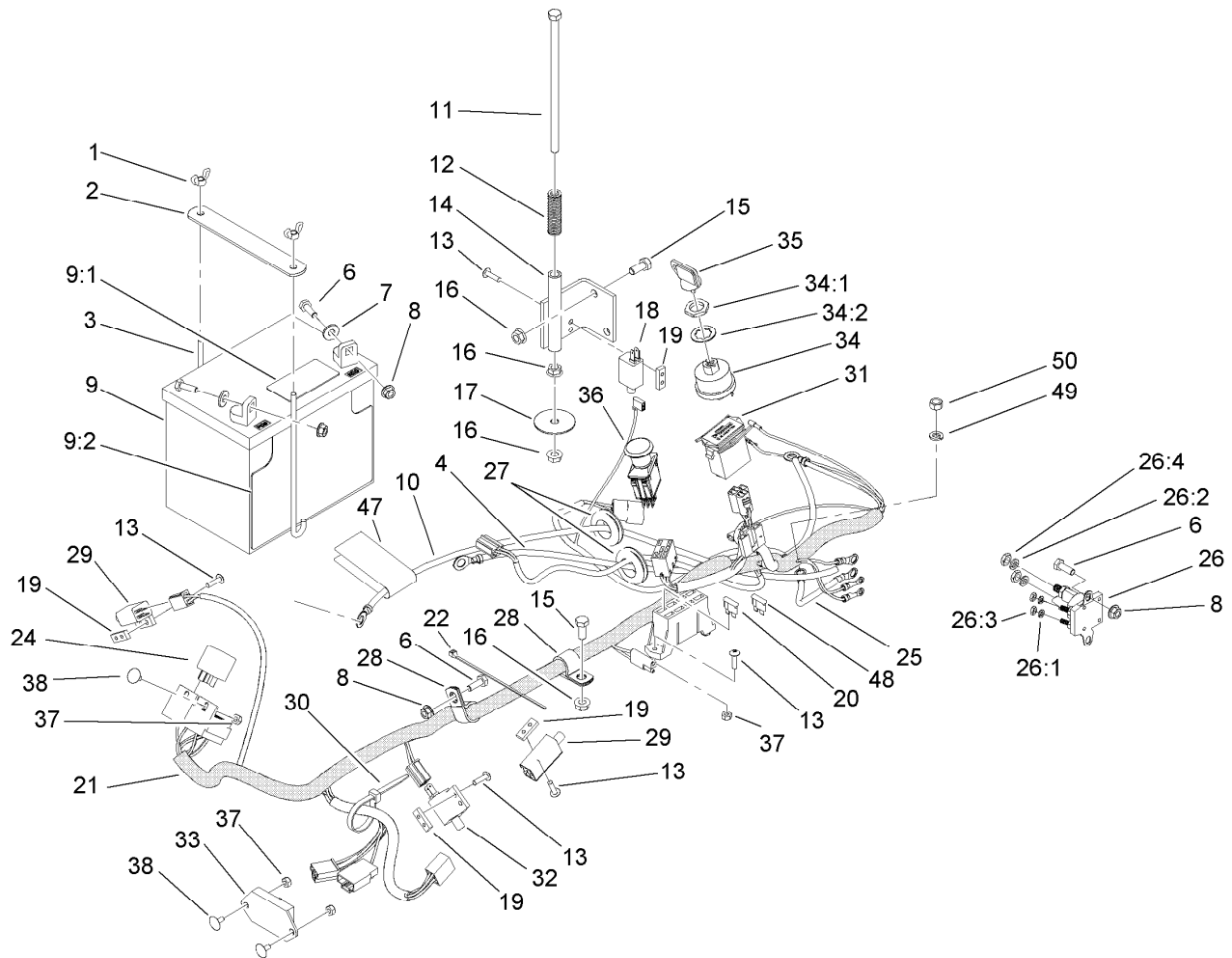
Deck Decal Assembly No. 107-1693

<i>Ref.</i>	<i>Part Number</i>	<i>Qty.</i>	<i>Description</i>
2	54-9220	1	Decal-Danger
3	66-1340	1	Decal-Danger, Thrown Object
4	98-5954	3	Decal-Cover, Missing
5	1-403005	1	Decal-Danger
6	68-8340	1	Decal-Torque
8	105-7798	1	Decal-Scalp, Anti
9	58-6520	3	Decal-Grease
10	107-1687	1	Decal-Aid, Service
11	107-1613	2	Decal-Grease
12	107-1696	1	Decal



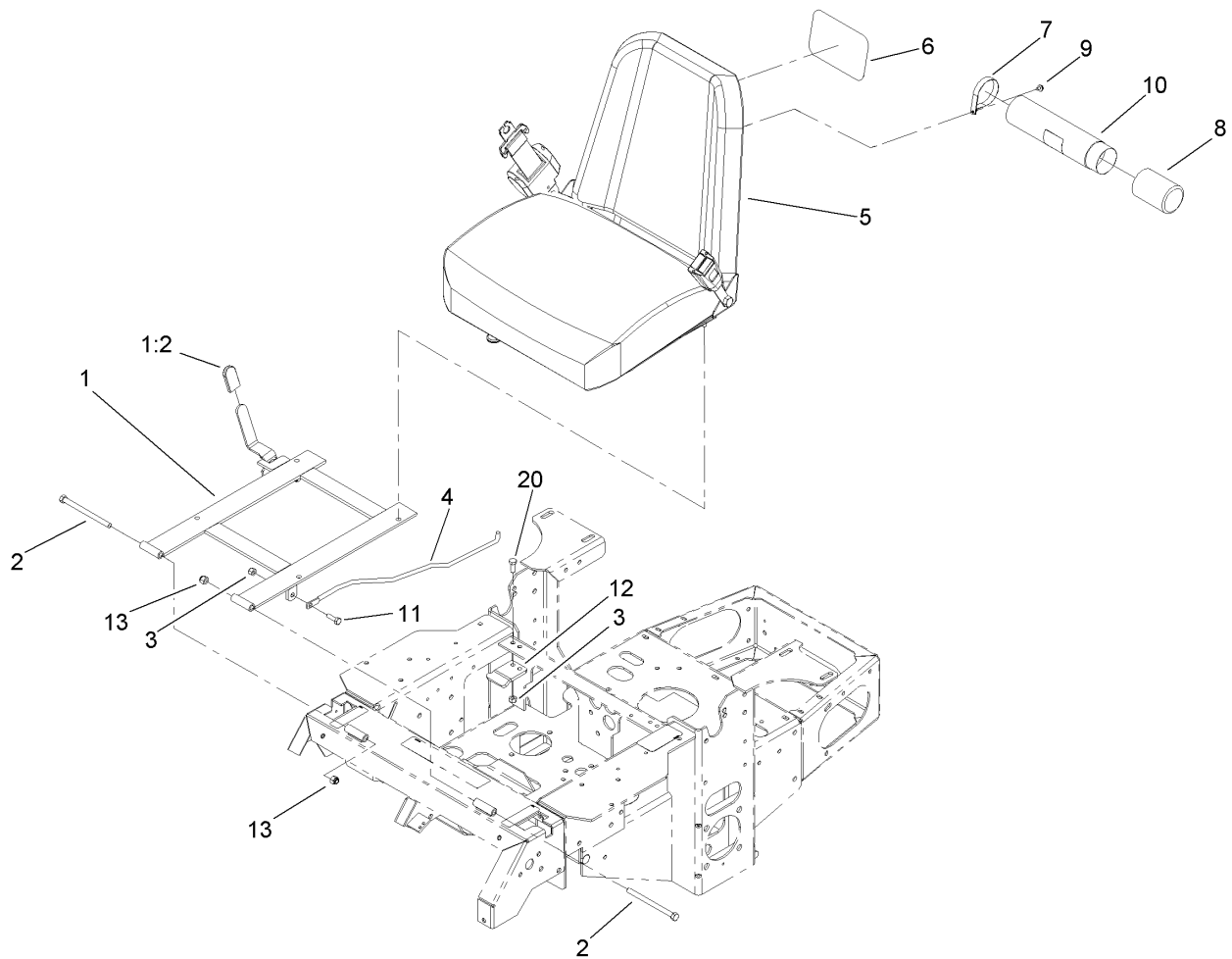
Rubber Deflector Assembly No. 108-7770

<i>Ref.</i>	<i>Part Number</i>	<i>Qty.</i>	<i>Description</i>
1	3231-25	4	Screw-CARR
2	106-3248-03	1	Strap-Discharge
3	108-5029	1	Deflector-Rubber
4	108-7767-03	1	Bracket-Hinge, Rear
5	108-7766-03	1	Bracket-Hinge, Front
6	3296-39	4	Nut-Lock, NI



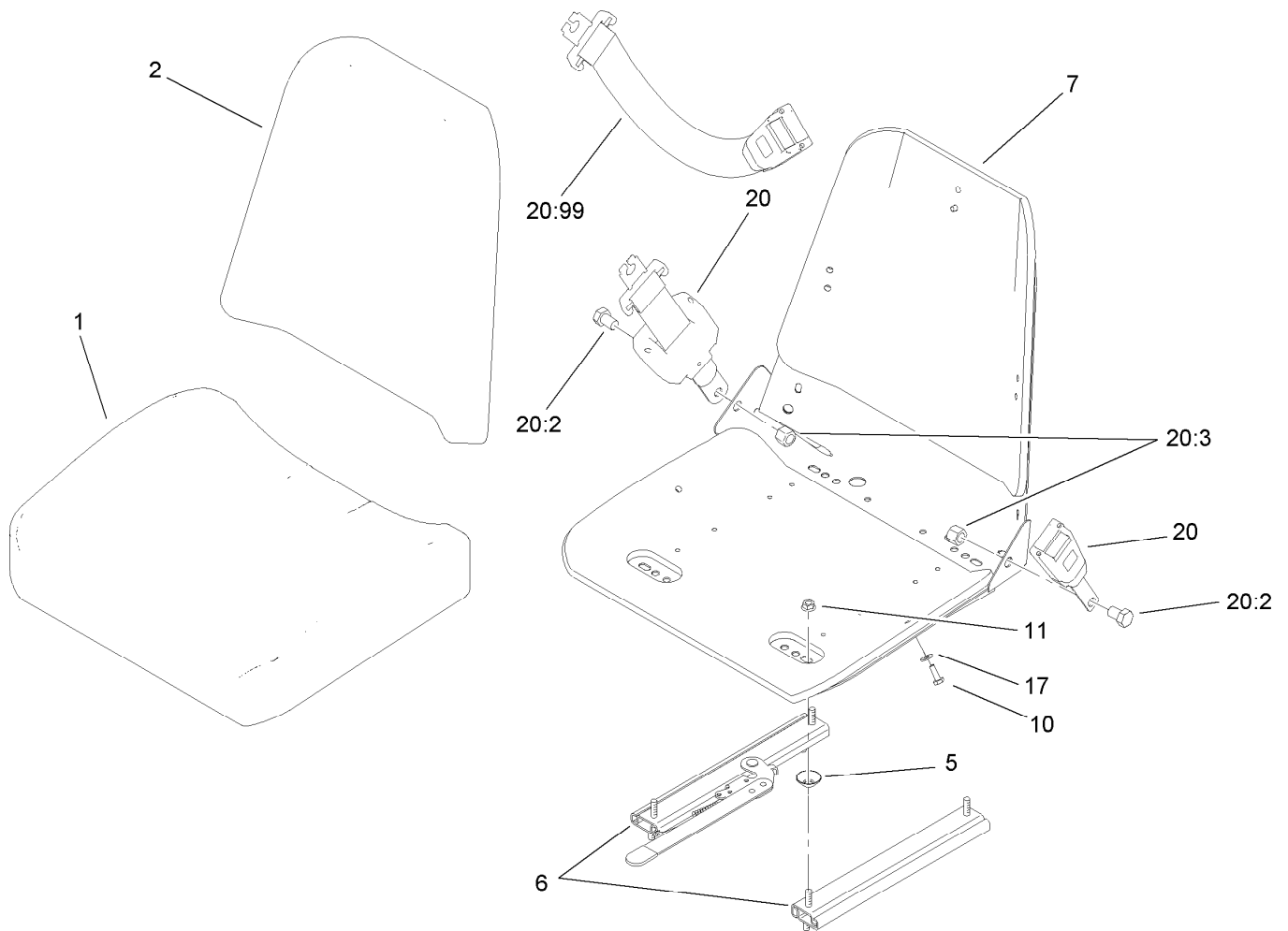
Electrical System Assembly

Ref.	Part Number	Qty.	Description	Ref.	Part Number	Qty.	Description
1	1-543792	2	Wingnut	26	1-513075	1	Switch-Solenoid
2	107-9277-03	1	Strap-Holddown, Battery	26:1	3253-17	2	Washer-Lock
3	1-633651	2	Bolt-Holddown	26:2	3253-4	2	Washer-Lock
4	103-0705	1	Cable-Ground, Negative	26:3	3219-14	2	Nut-Hex
6	321-4	6	Screw-HH	26:4	3220-2	2	Nut-Jam
7	3256-2	2	Washer-Flat	27	1-543286	2	Grommet
8	32128-33	5	Nut-HF	28	1-633396	2	Clip-Loom
9	105-1692	1	Battery	29	1-513051	2	Switch-Open, Normally
9:1	104-4163	1	Decal-Battery	30	1-303335	4	Tie-Plastic
9:2	104-4164	1	Decal-Battery	31	1-513374	1	Meter-Hour
10	109-7621	1	Positive Battery Cable ASM	32	1-633111	1	Switch
11	1-800282	1	Screw-HH	33	100-6186	1	Module-Delay, Seat
12	1-523415	1	Spring-Switch, Seat	34	104-2541	1	Switch ASM
13	1-803075	10	Screw-Head, Truss	34:1	218-461	1	Nut-HH
14	1-652072-03	1	Bracket-Switch, Seat	34:2	3254-5	1	Washer-Tooth, Internal
15	322-3	3	Screw-HH	35	63-8360	2	Key-Ignition
16	32128-20	5	Nut-HF	36	103-5221	1	Switch-PTO
17	1-653036	1	Washer	37	3296-2	6	Nut-Lock, NI
18	1-513152	1	Switch-Closed, Normally	38	1-807513	4	Bolt-CARR
19	1-633181	4	Plate-Tapped	47	107-9309	1	Decal-Instructions, Charging
20	109103	1	Fuse-30 Amp	48	109102	1	Fuse-25 Amp
21	110-0318	1	Harness-Electrical	49	1-805004	1	Washer-Lock
22	1-303287	4	Tie-Plastic	50	3217-5	1	Nut-Hex
24	1-643275	2	Relay				
25	109-7620	1	Positive Starter Cable ASM				



Seat and Bracket Assembly

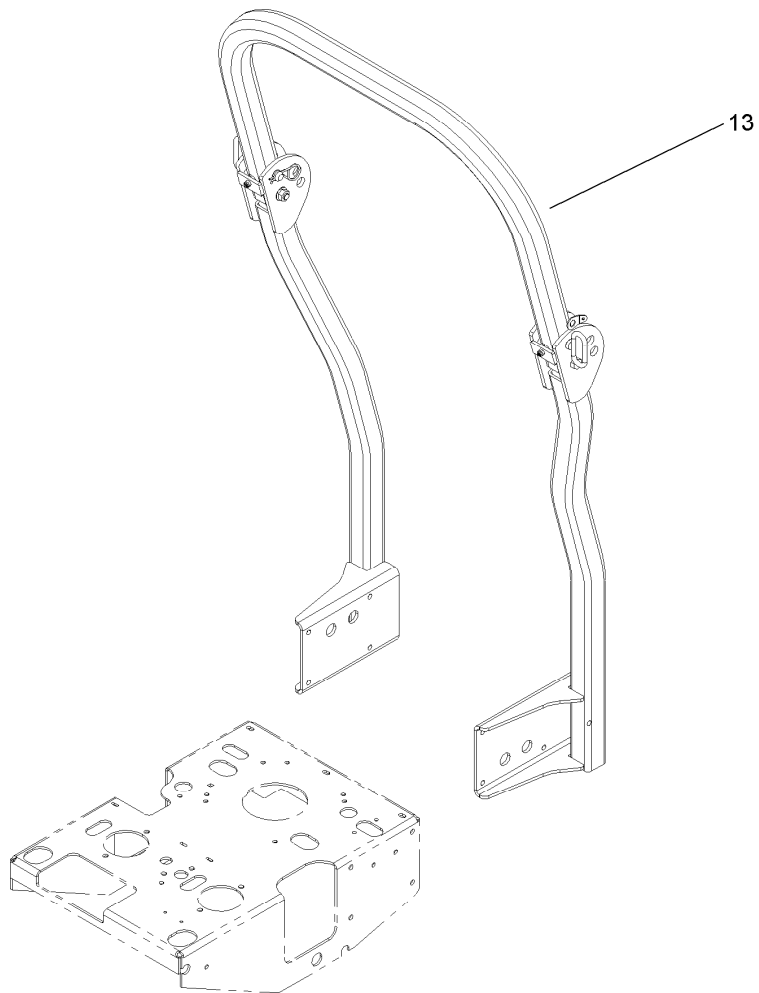
<i>Ref.</i>	<i>Part Number</i>	<i>Qty.</i>	<i>Description</i>
1	110-5850	1	Seat Frame And Latch ASM
1:2	103-4434	1	Grip-Lever
2	323-39	2	Screw-HH
3	3296-29	3	Nut-Lock, NI
4	103-1731	1	Rod-Retainer, Seat
5	110-5738	1	Seat ASM
6	99-4693	1	Decal
7	2412-120	2	R-Clamp
8	104-7048	1	Cap-Housing
9	32104-76	2	Screw
10	104-7050	1	Tube-Manual
11	322-5	1	Screw-HH
12	103-5961	1	Catch-Latch, Seat
13	3296-39	2	Nut-Lock, NI
20	322-4	2	Screw-HH



Seat Assembly No. 110-5738

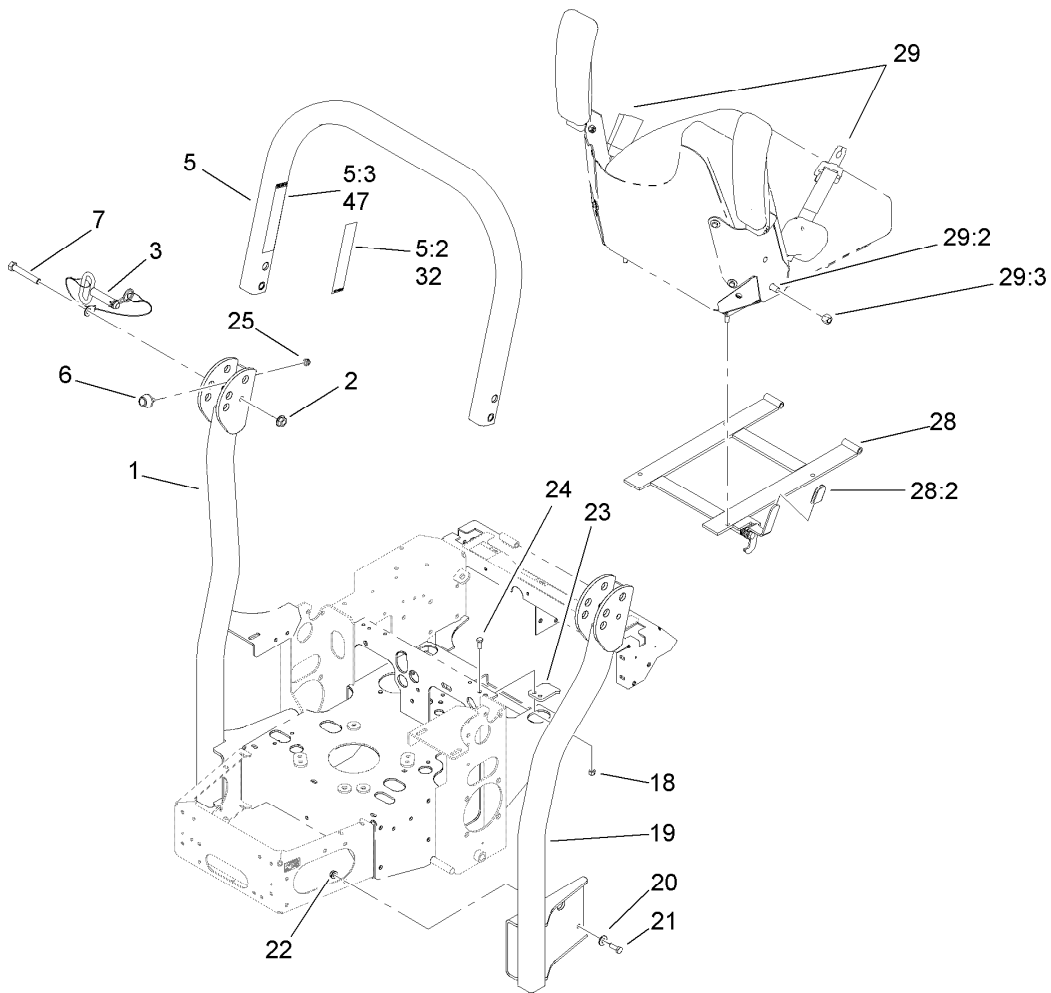
<i>Ref.</i>	<i>Part Number</i>	<i>Qty.</i>	<i>Description</i>
1	110-5741	1	Cushion-Seat, Bottom
2	110-5742	1	Cushion-Seat, Back
5	1-543401	4	Spacer-Track
6	1-643255	1	Track-Seat
7	1-633859	1	Frame-Seat
10	321-4	5	Screw-HH
11	32128-20	4	Nut-HF
17	3256-22	5	Washer-Flat
20	110-0883	1	Retractable Seatbelt Kit
20:1		1	Seatbelt-Retractable ●
20:2	3212-4	2	Screw-HH
20:3	3296-7	2	Nut-Lock
20:99	109-6226	1	Seat Belt Extension Kit

● Not serviced separately



Roll-Over Protection System Assembly

<i>Ref.</i>	<i>Part Number</i>	<i>Qty.</i>	<i>Description</i>
13	107-8093	1	ROPS ASM

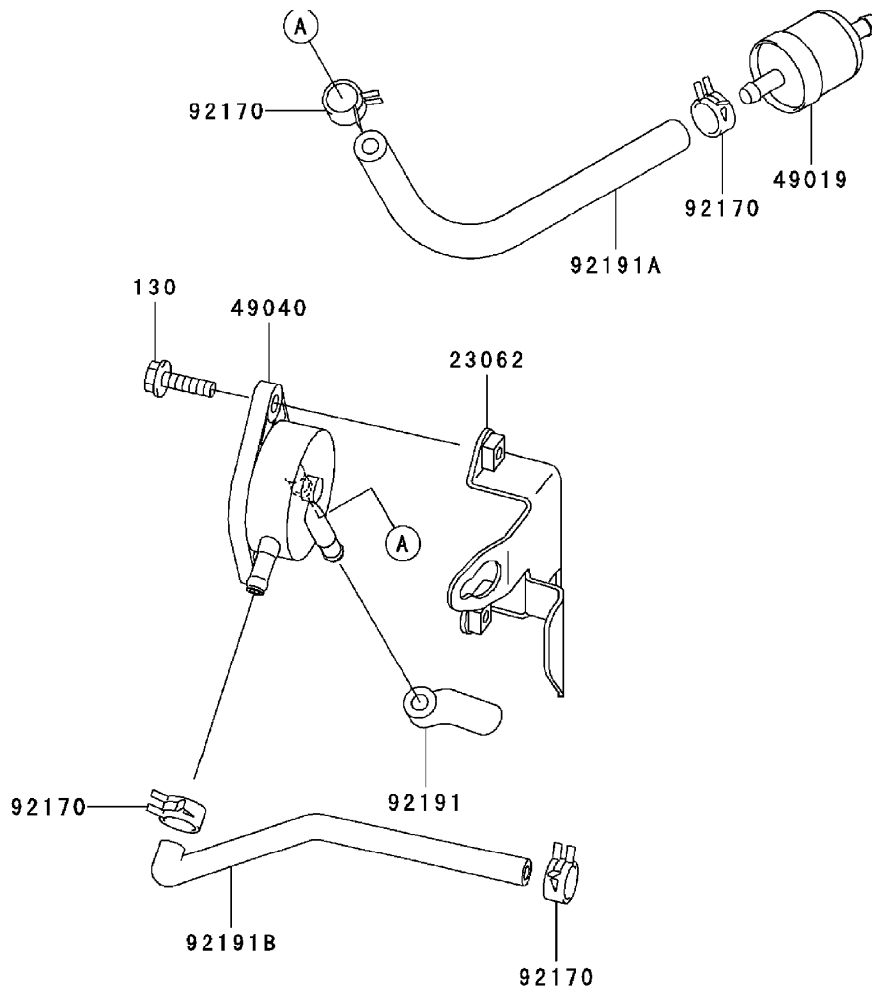


Roll-Over Protection System Assembly No. 107-8093

Ref.	Part Number	Qty.	Description
1		1	LH Tube Support ASM ■
2	32128-23	2	Nut-HF
3	103-4553	2	ROPS Fold Pin ASM
5		1	Upper Tube ASM ■
5:2	107-2100	1	Decal
5:3	107-2102	1	Decal-Warning, Folding ROPS
6	109-2365	2	Bumper-Rubber (W/Stud)
7	325-13	2	Screw-HH
18	3296-29	2	Nut-Lock, NI
19		1	RH Tube Support ASM ■
20	98-5975	8	Washer-Belleville
21	323-6	8	Screw-HH
22	3290-357	8	Nut-HHF, Whiz
23	107-3059	1	Catch-Latch, Seat
24	322-4	2	Screw-HH
25	3296-73	2	Nut-Lock, NI
28	110-5850	1	Seat Frame And Latch ASM
28:2	103-4434	1	Grip-Lever
29	110-0883	1	Retractable Seatbelt Kit
29:2	3212-4	2	Screw-HH
29:3	3296-7	2	Nut-Lock
29:99	109-6226	1	Seat Belt Extension Kit ●
32	107-3069	1	Decal-Warning, Folding ROPS
47	107-2102	1	Decal-Warning, Folding ROPS

● Not illustrated

■ Not serviced separately

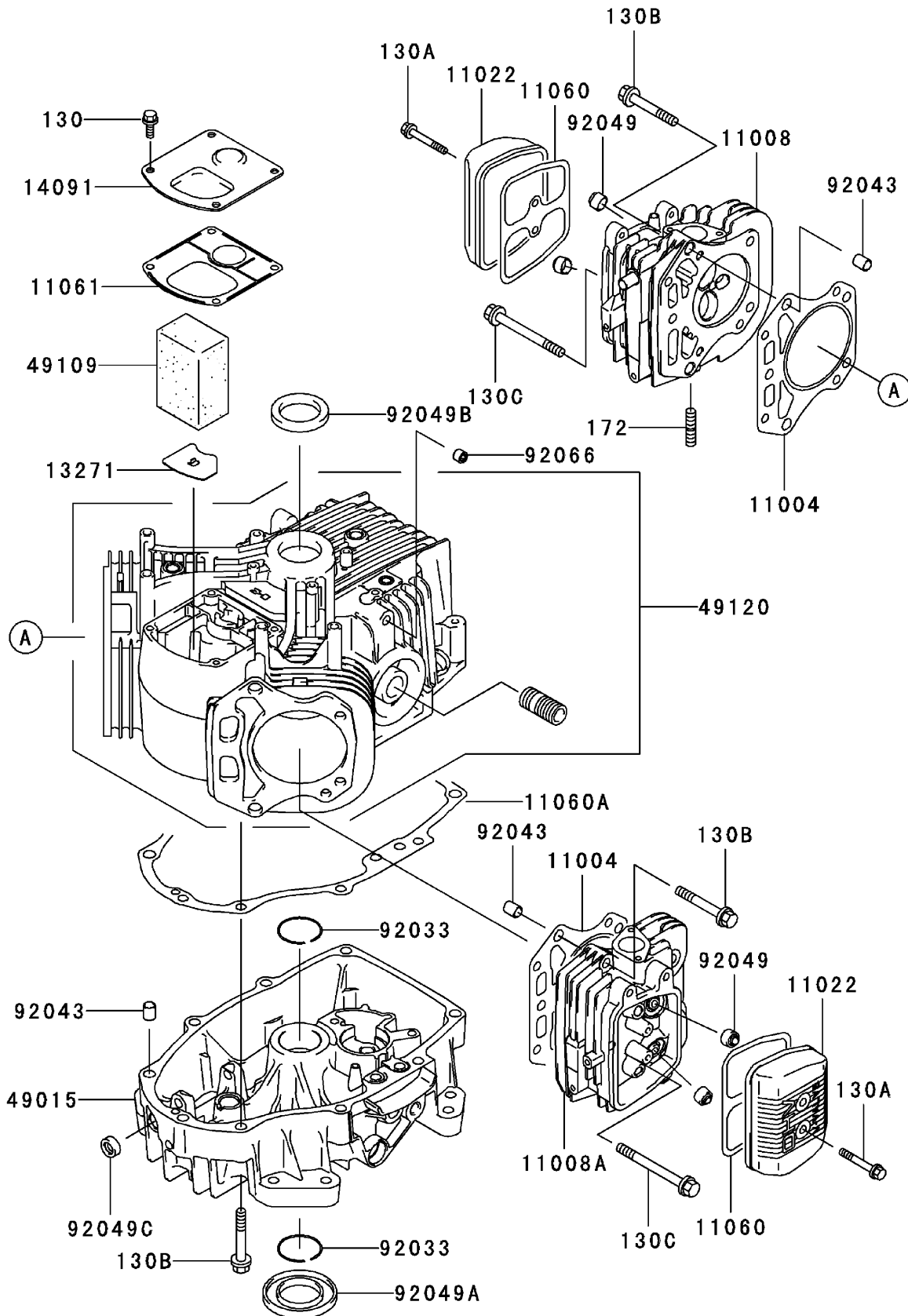


Fuel Tank / Fuel Valve Assembly Kawasaki FH580V AS30

<i>Ref.</i>	<i>Part Number</i>	<i>Qty.</i>	<i>Description</i>
23062	23062-7004-9H	1	Bracket ●
49019	49019-7001	1	Filter-Fuel ●
49040	49040-7001	1	Pump-Fuel ●
92170	92170-2088	4	Clamp ●
92191	92191-7002	1	Tube ●
92191A	92191-7003	1	Tube (6.35X12.7X160) ●
92191B	92191-7004	1	Tube ●
130	130B0620	2	Bolt-Flanged (6X20) ●

● Obtain parts from www.kawpowerepc.com

Cylinder / Crankcase Assembly Kawasaki FH580V AS30

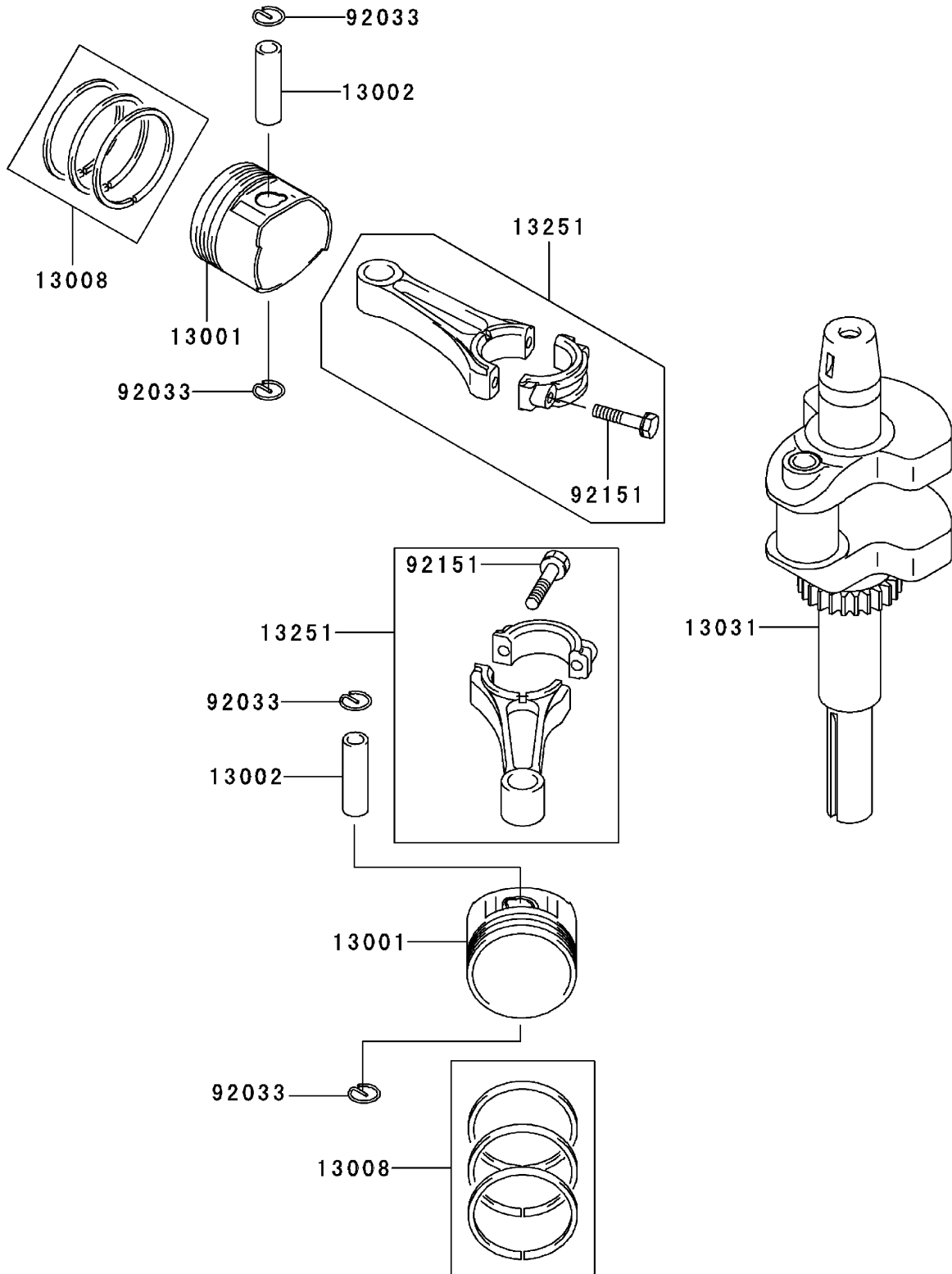


Cylinder / Crankcase Assembly Kawasaki FH580V AS30 (continued)

<i>Ref.</i>	<i>Part Number</i>	<i>Qty.</i>	<i>Description</i>	<i>Ref.</i>	<i>Part Number</i>	<i>Qty.</i>	<i>Description</i>
11004	11004-7016	2	Gasket-Head ●	92049	92049-7001	4	Seal-Oil, R V C2 (6X11X10.2) ●
11008	11008-6043	1	Head-Cylinder, No. 1 ●	92049A	92049-7015	1	Seal-Oil, S D (35X62X8 L HSH) ●
11008A	11008-7020	1	Head-Cylinder, No. 2 ●	92049B	92049-7016	1	Seal-Oil, S D (35X48X8 R HSH) ●
11022	11022-7003	2	Case-Rocker ●	92049C	92049-7019	1	Seal-Oil, S O (8X14X5 HSH) ●
11060	11060-7001	2	Gasket-Case, Rocker ●	92066	92066-7002	1	Plug ●
11060A	11060-7008	1	Gasket-Cover, Crankcase ●	130	130B0612	4	Bolt-Flanged (6X12) ●
11061	11061-7001	1	Gasket-Breather ●	130A	130B0640	4	Bolt-Flanged (6X40) ●
13271	13271-7016	1	Plate ●	130B	130T0850	17	Bolt-Flanged (8X50) ●
14091	14091-7006	1	Cover ●	130C	130T0875	2	Bolt-Flanged (8X75) ●
49015	49015-6253	1	Cover-Crankcase ●	172	172G0818	4	Bolt-Stud (8X18) ●
49109	49109-7002	1	Element-Breather ●				
49120	49120-7023	1	Crankcase ●				
92033	92033-7003	2	Ring-Snap ●				
92043	92043-7001	6	Pin ●				

● Obtain parts from www.kawpowerepc.com

Piston / Crankshaft Assembly Kawasaki FH580V AS30



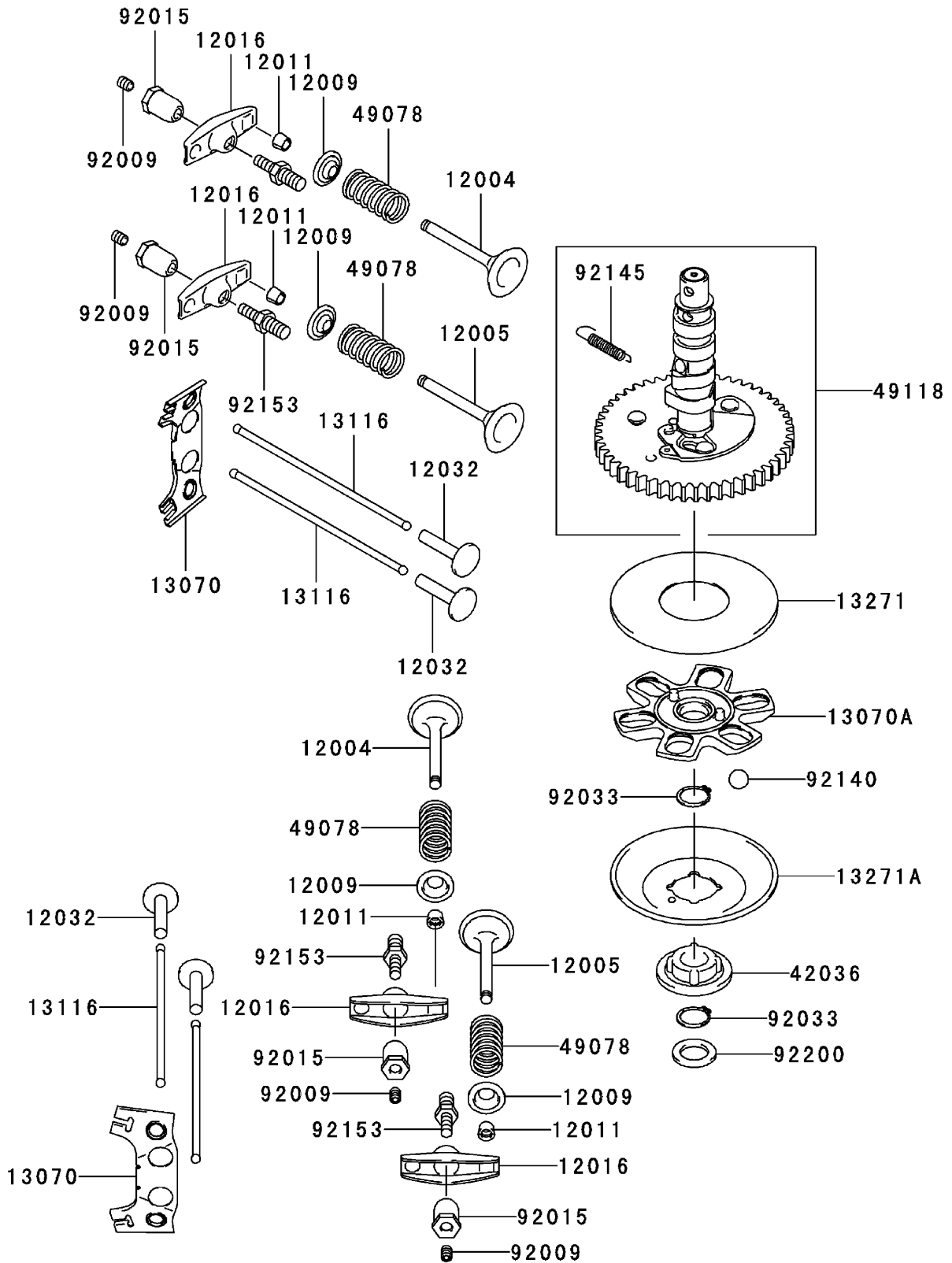
Piston / Crankshaft Assembly Kawasaki FH580V AS30 (continued)

<i>Ref.</i>	<i>Part Number</i>	<i>Qty.</i>	<i>Description</i>
13001	13001-7010	2	Piston-Engine ●
13002	13002-7001	2	Pin-Piston ●
13008	13008-6060	2	Piston Ring Set ●
13031	13031-7036	1	Crankshaft ●

<i>Ref.</i>	<i>Part Number</i>	<i>Qty.</i>	<i>Description</i>
13251	13251-7010	2	Connecting Rod ASM ●
92033	92033-7005	4	Ring-Snap ●
92151	92151-7017	4	Bolt (6X35) ●

● Obtain parts from www.kawpowerepc.com

Valve / Camshaft Assembly Kawasaki FH580V AS30

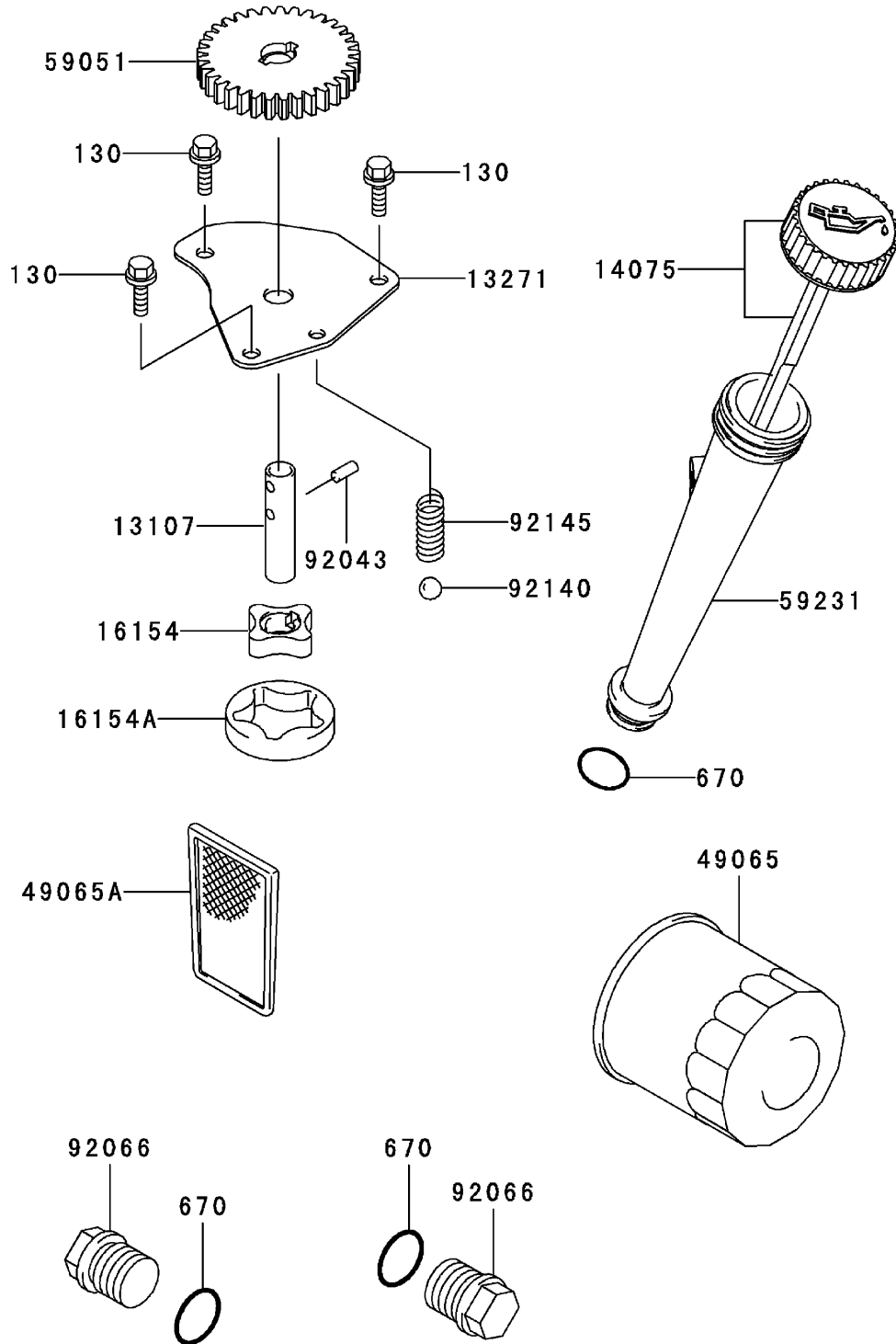


Valve / Camshaft Assembly Kawasaki FH580V AS30 (continued)

<i>Ref.</i>	<i>Part Number</i>	<i>Qty.</i>	<i>Description</i>	<i>Ref.</i>	<i>Part Number</i>	<i>Qty.</i>	<i>Description</i>
12004	12004-7003	2	Valve-Intake ●	42036	42036-7009	1	Sleeve ●
12005	12005-7003	2	Valve-Exhaust ●	49078	49078-7001	4	Spring-Valve, Engine ●
12009	12009-7001	4	Retainer-Spring, Valve ●	49118	49118-7004	1	Camshaft ●
12011	12011-2056	8	Collet ●	92009	92009-2341	4	Screw ●
12016	12016-7001	4	Arm-Rocker ●	92015	92015-2253	4	Nut ●
12032	12032-7001	4	Tappet ●	92033	92033-7001	2	Ring-Snap ●
13070	13070-7001	2	Guide ●	92140	92140-7002	6	Ball ●
13070A	13070-7004	1	Guide ●	92145	92145-7001	1	Spring ●
13116	13116-2057	4	Rod-Push ●	92153	92153-7019	4	Bolt ●
13271	13271-7007	1	Plate ●	92200	92200-7001	1	Washer ●
13271A	13271-7021	1	Plate-Governor ●				

● Obtain parts from www.kawpowerepc.com

Lubrication Equipment Assembly Kawasaki FH580V AS30



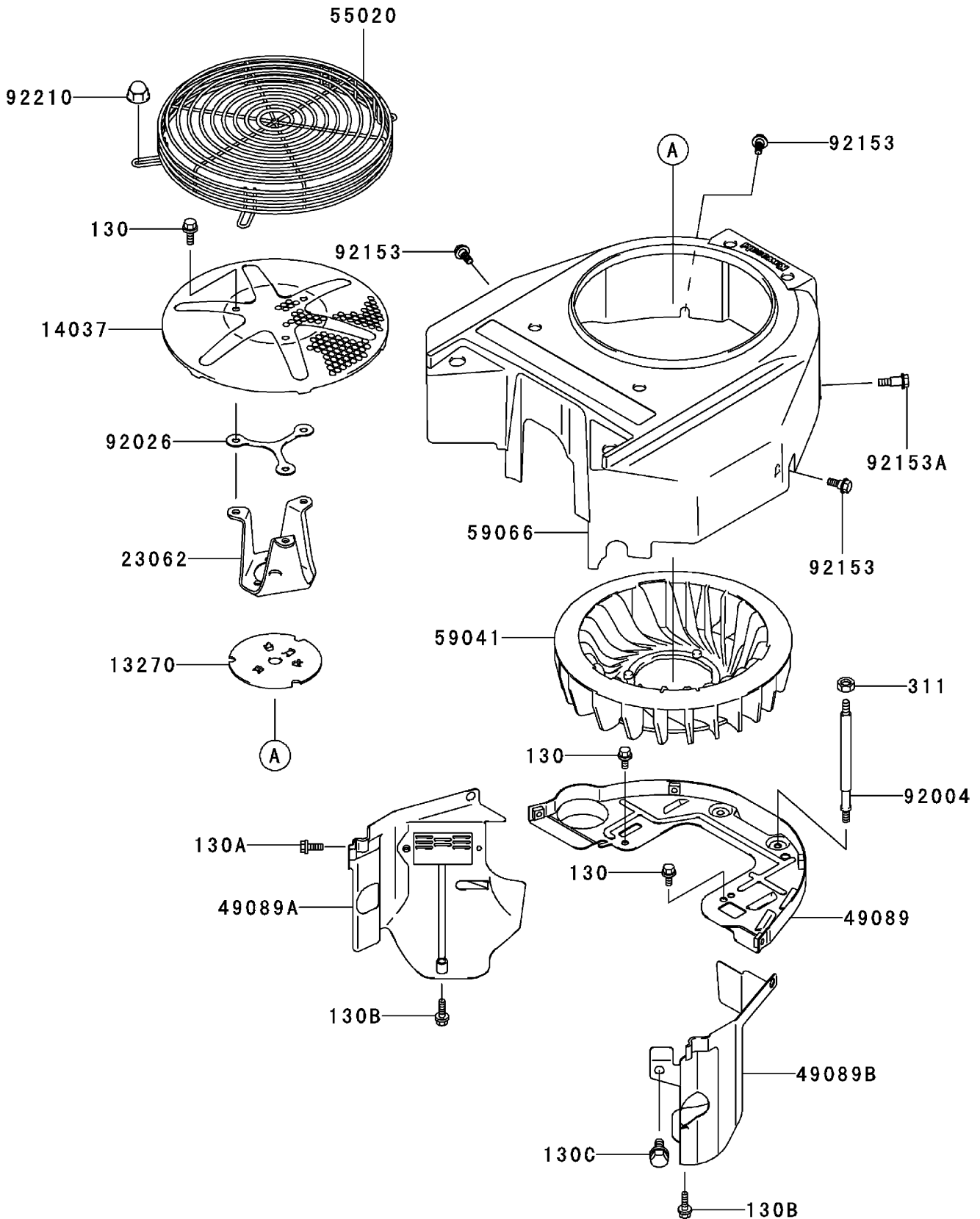
Lubrication Equipment Assembly Kawasaki FH580V AS30 (continued)

<i>Ref.</i>	<i>Part Number</i>	<i>Qty.</i>	<i>Description</i>
13107	13107-7009	1	Shaft ●
13271	13271-7017	1	Plate ●
14075	14075-7009	1	Cap ASM ●
16154	16154-2053	1	Rotor-Pump (In) ●
16154A	16154-2054	1	Rotor-Pump (Out) ●
49065	49065-2078	1	Filter-Oil ●
49065A	49065-7004	1	Filter-Oil ●
59051	59051-7011	1	Gear-Spur ●

<i>Ref.</i>	<i>Part Number</i>	<i>Qty.</i>	<i>Description</i>
59231	59231-7005	1	Filler ●
92043	92043-7003	2	Pin ●
92066	92066-7003	2	Plug ●
92140	92140-7003	1	Ball ●
92145	92145-7002	1	Spring ●
130	130B0612	3	Bolt-Flanged (6X12) ●
670	670D2016	3	O-Ring (16Mm) ●

● Obtain parts from www.kawpowerepc.com

Cooling Equipment Assembly Kawasaki FH580V AS30



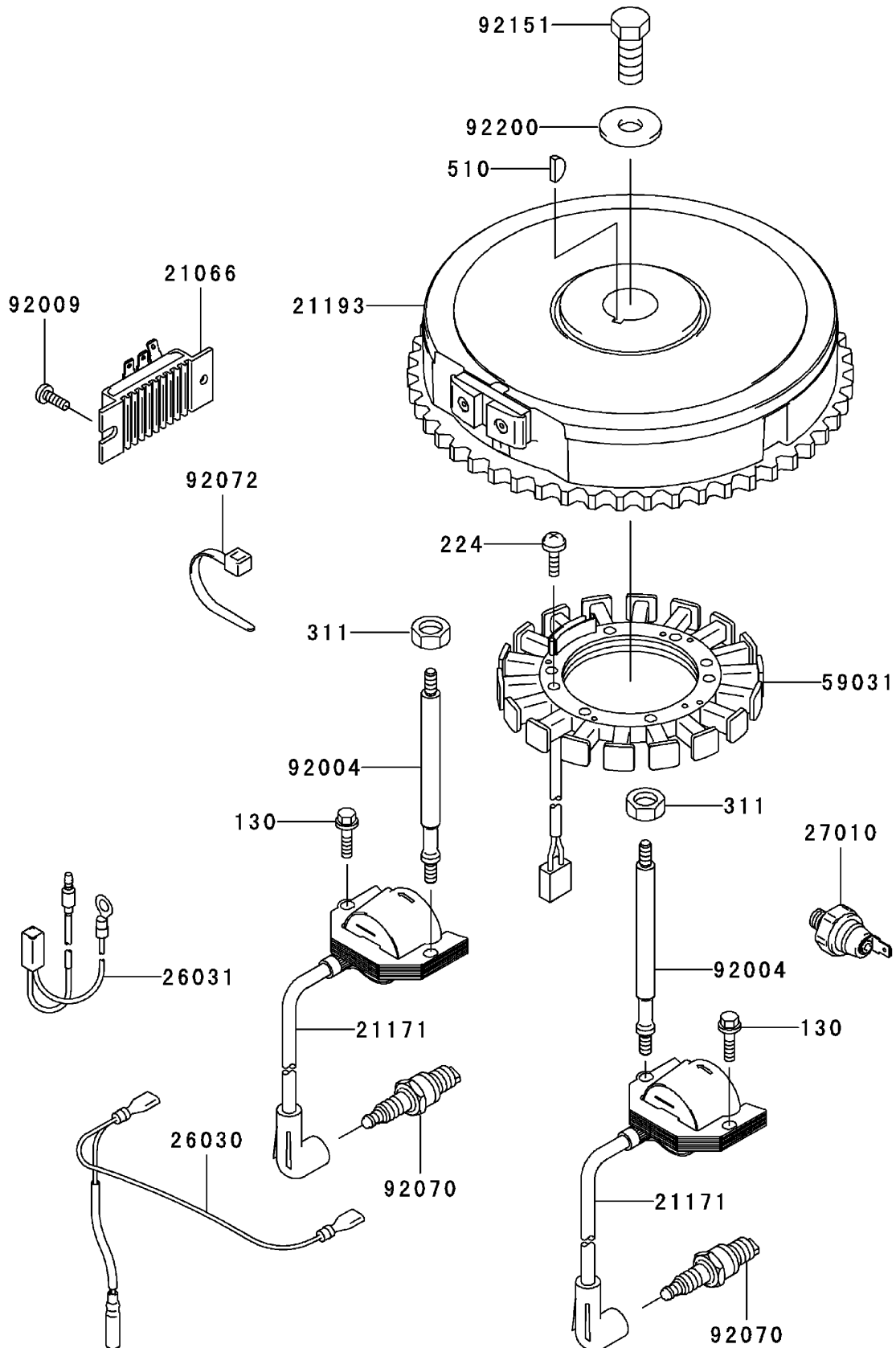
Cooling Equipment Assembly Kawasaki FH580V AS30 (continued)

<i>Ref.</i>	<i>Part Number</i>	<i>Qty.</i>	<i>Description</i>
13270	13270-7007	1	Plate ●
14037	14037-7020-9H	1	Screen ●
23062	23062-7010	1	Bracket ●
49089	49089-7032	1	Shroud-Engine ●
49089A	49089-7042	1	Shroud-Engine ●
49089B	49089-7043	1	Shroud-Engine ●
55020	55020-7004	1	Guard ●
59041	59041-7010	1	Fan ●
59066	59066-7024	1	Housing-Fan ●
92004	92004-7006	2	Stud ●

<i>Ref.</i>	<i>Part Number</i>	<i>Qty.</i>	<i>Description</i>
92026	92026-7007	1	Spacer ●
92153	92153-7007	3	Bolt ●
92153A	92153-7008	1	Bolt ●
92210	92210-0003	4	Nut ●
130	130B0612	5	Bolt-Flanged (6X12) ●
130A	130B0616	2	Bolt-Flanged (6X16) ●
130B	130B0625	2	Bolt-Flanged (6X25) ●
130C	130B0816	1	Bolt-Flanged (8X16) ●
311	311B0600	2	Nut-Hex (6Mm) ●

● Obtain parts from www.kawpowerepc.com

Electric Equipment Assembly Kawasaki FH580V AS30

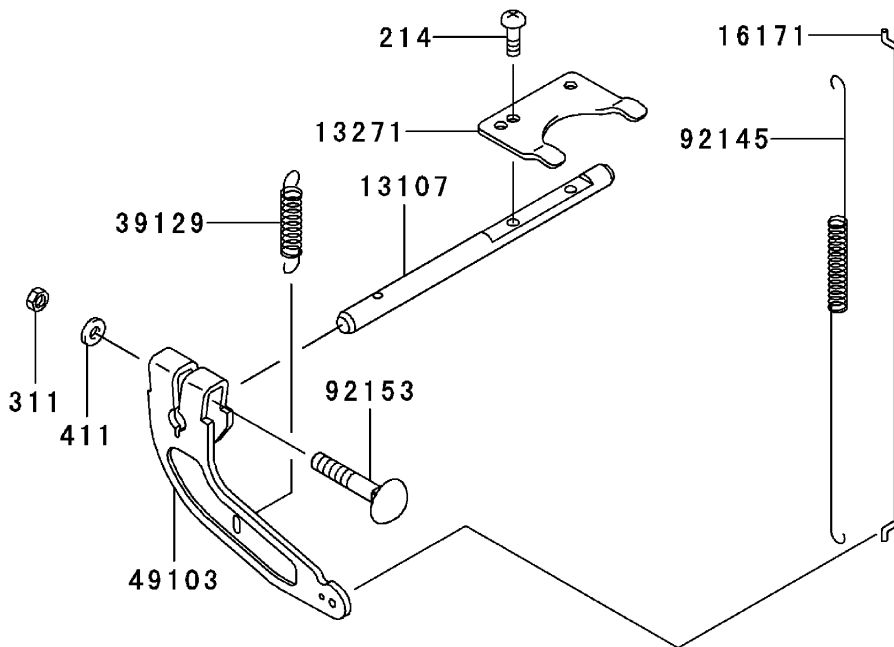
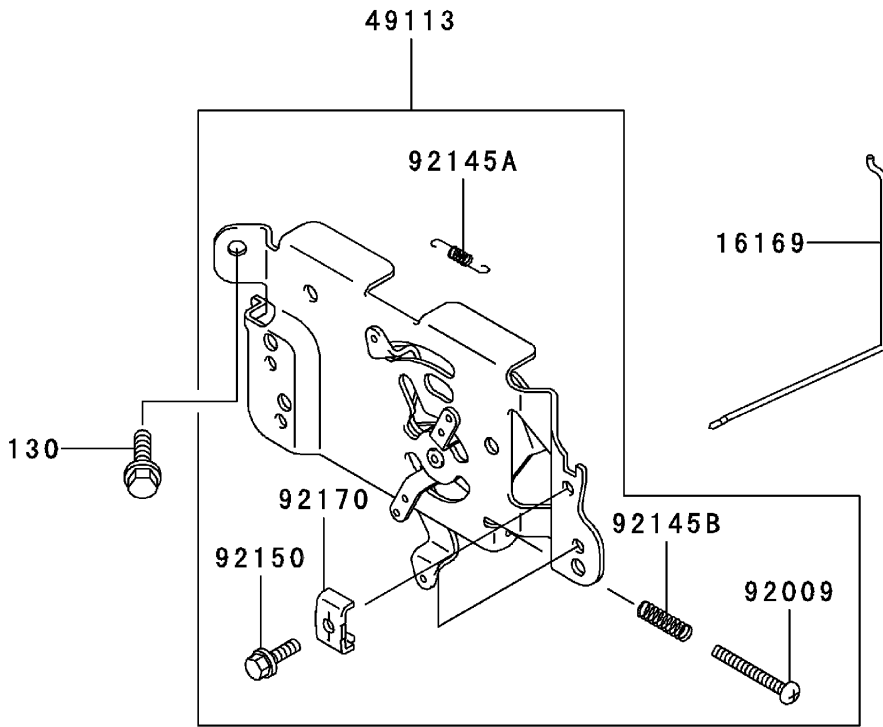


Electric Equipment Assembly Kawasaki FH580V AS30 (continued)

<i>Ref.</i>	<i>Part Number</i>	<i>Qty.</i>	<i>Description</i>	<i>Ref.</i>	<i>Part Number</i>	<i>Qty.</i>	<i>Description</i>
21066	21066-7011	1	Regulator-Voltage ●	92070	92070-7003	2	Spark Plug (R C J 8 Y, Solid) ●
21171	21171-7013	2	Ignition Coil ASM ●	92072	92072-7003	2	Band ●
21193	21193-7007	1	Flywheel ASM ●	92151	92151-2097	1	Bolt (12X30) ●
26030	26030-7001	1	Harness ●	92200	92200-7002	1	Washer ●
26031	26031-7002	1	Harness ●	130	130B0620	2	Bolt-Flanged (6X20) ●
27010	27010-7001	1	Switch ●	224	224B0520	4	Screw-Pan (5X20) ●
59031	59031-7001	1	Coil-Charging ●	311	311B0600	2	Nut-Hex (6Mm) ●
92004	92004-7009	2	Stud ●	510	510A5100	1	Key-Woodruff ●
92009	92009-2308	1	Screw ●				

● Obtain parts from www.kawpowerepc.com

Control Equipment Assembly Kawasaki FH580V AS30

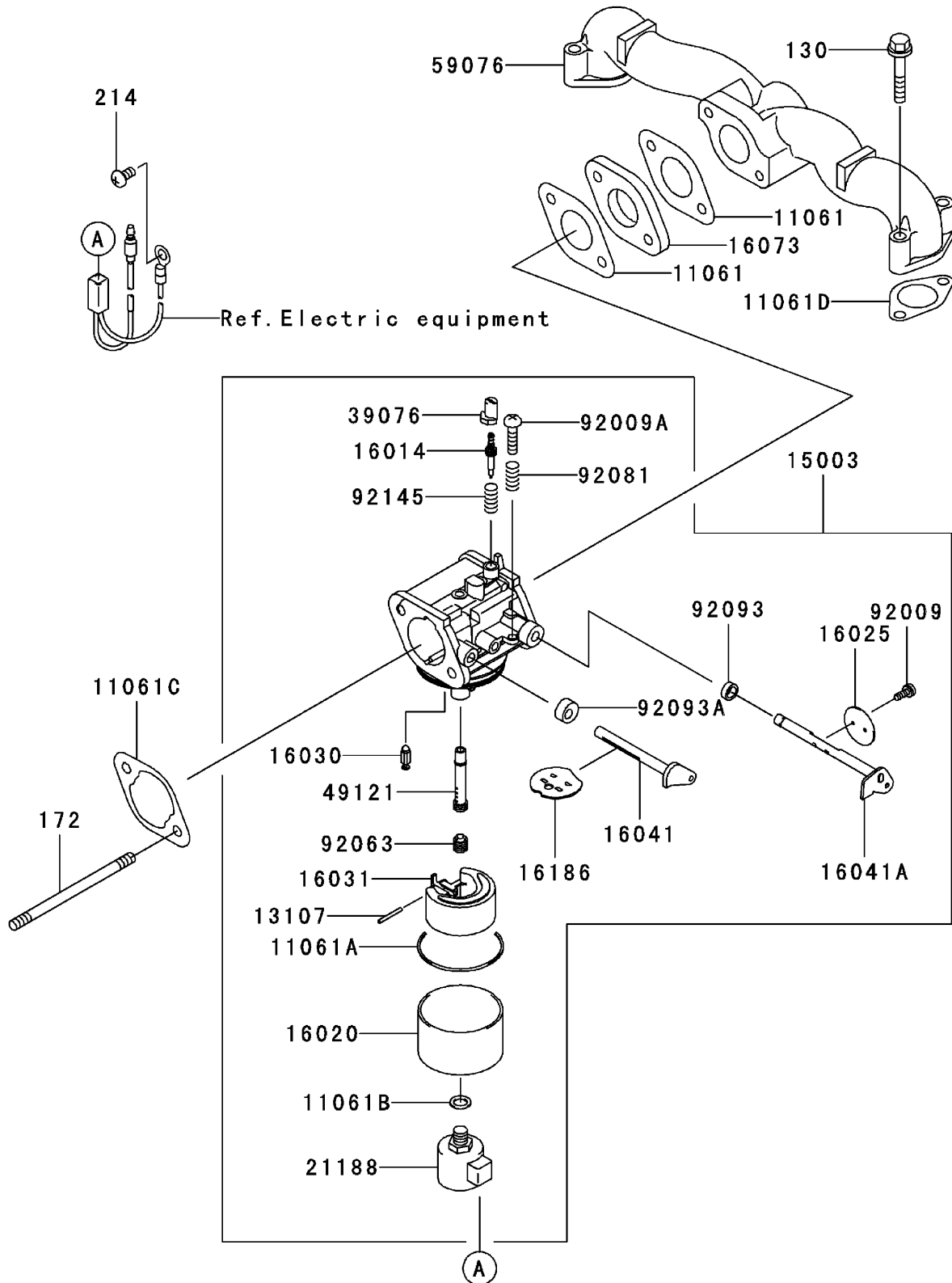


Control Equipment Assembly Kawasaki FH580V AS30 (continued)

<i>Ref.</i>	<i>Part Number</i>	<i>Qty.</i>	<i>Description</i>	<i>Ref.</i>	<i>Part Number</i>	<i>Qty.</i>	<i>Description</i>
13107	13107-7010	1	Shaft ●	92145A	92145-7004	1	Spring ●
13271	13271-7018	1	Plate ●	92145B	92145-7005	1	Spring ●
16169	16169-7010	1	Link-Choke ●	92150	92150-2182	2	Bolt (5X18) ●
16171	16171-7001	1	Link ●	92153	92153-7033	1	Bolt (6X35) ●
39129	39129-7003	1	Spring-Governor ●	92170	92170-7001	2	Clamp ●
49103	49103-7004	1	Arm-Governor ●	130	130B0612	2	Bolt-Flanged (6X12) ●
49113	49113-7011	1	Panel-Control ●	214	214B0408	2	Screw-Pan (4X8) ●
92009	92009-7007	1	Screw (4X35) ●	311	311B0600	1	Nut-Hex (6Mm) ●
92145	92145-7003	1	Spring ●	411	411B0600	1	Washer-Plain (6Mm) ●

● Obtain parts from www.kawpowerepc.com

Carburetor Assembly Kawasaki FH580V AS30

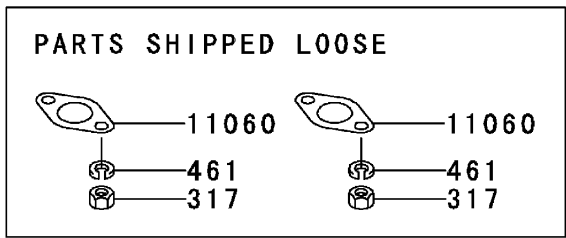
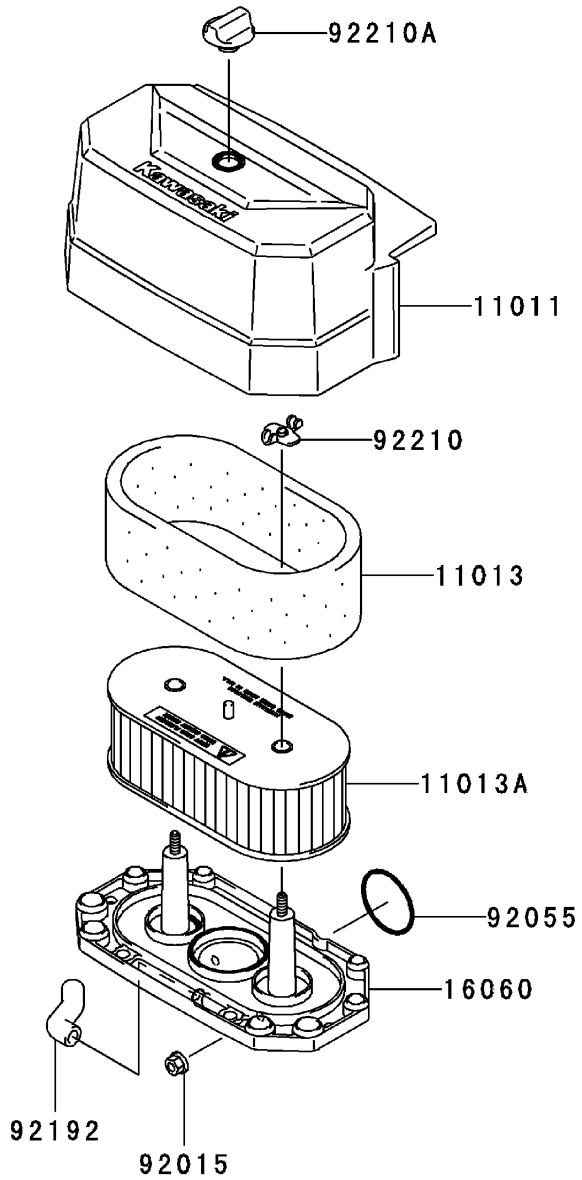


Carburetor Assembly Kawasaki FH580V AS30 (continued)

<i>Ref.</i>	<i>Part Number</i>	<i>Qty.</i>	<i>Description</i>	<i>Ref.</i>	<i>Part Number</i>	<i>Qty.</i>	<i>Description</i>
11061	11061-7004	2	Gasket-Insulator ●	16186	16186-7004	1	Choke Valve ASM ●
11061A	11061-7009	1	Gasket-Chamber ●	21188	21188-7002	1	Solenoid ●
11061B	11061-7010	1	Gasket-Screw ●	39076	39076-7001	1	Limiter ●
11061C	11061-7018	1	Gasket-Cleaner, Air ●	49121	49121-7004	1	Nozzle-Main ●
11061D	11061-7019	2	Gasket ●	59076	59076-7001	1	Manifold-Intake ●
13107	13107-7018	1	Shaft ●	92009	92009-2083	2	Screw ●
15003	15003-7100	1	Carburetor ASM ●	92009A	92009-2349	1	Screw ●
16014	16014-7007	1	Screw-Air, Pilot ●	92063	92063-7062	1	Jet-Main No. 110 ●
16020	16020-7003	1	Chamber-Float ●	92081	92081-2234	1	Spring ●
16025	16025-7006	1	Valve-Throttle ●	92093	92093-2100	1	Seal ●
16030	16030-7003	1	Valve-Float ●	92093A	92093-7003	1	Seal ●
16031	16031-7002	1	Float ●	92145	92145-7015	1	Spring ●
16041	16041-7016	1	Shaft-Choke, Carburetor ●	130	130B0635	4	Bolt-Flanged (6X35) ●
16041A	16041-7018	1	Shaft-Throttle, Carburetor ●	172	172G0690	2	Bolt-Stud (6X90) ●
16073	16073-7007	1	Insulator ●	214	214B0510	1	Screw-Pan (5X10) ●

● Obtain parts from www.kawpowerepc.com

Air Filter / Muffler Assembly Kawasaki FH580V AS30

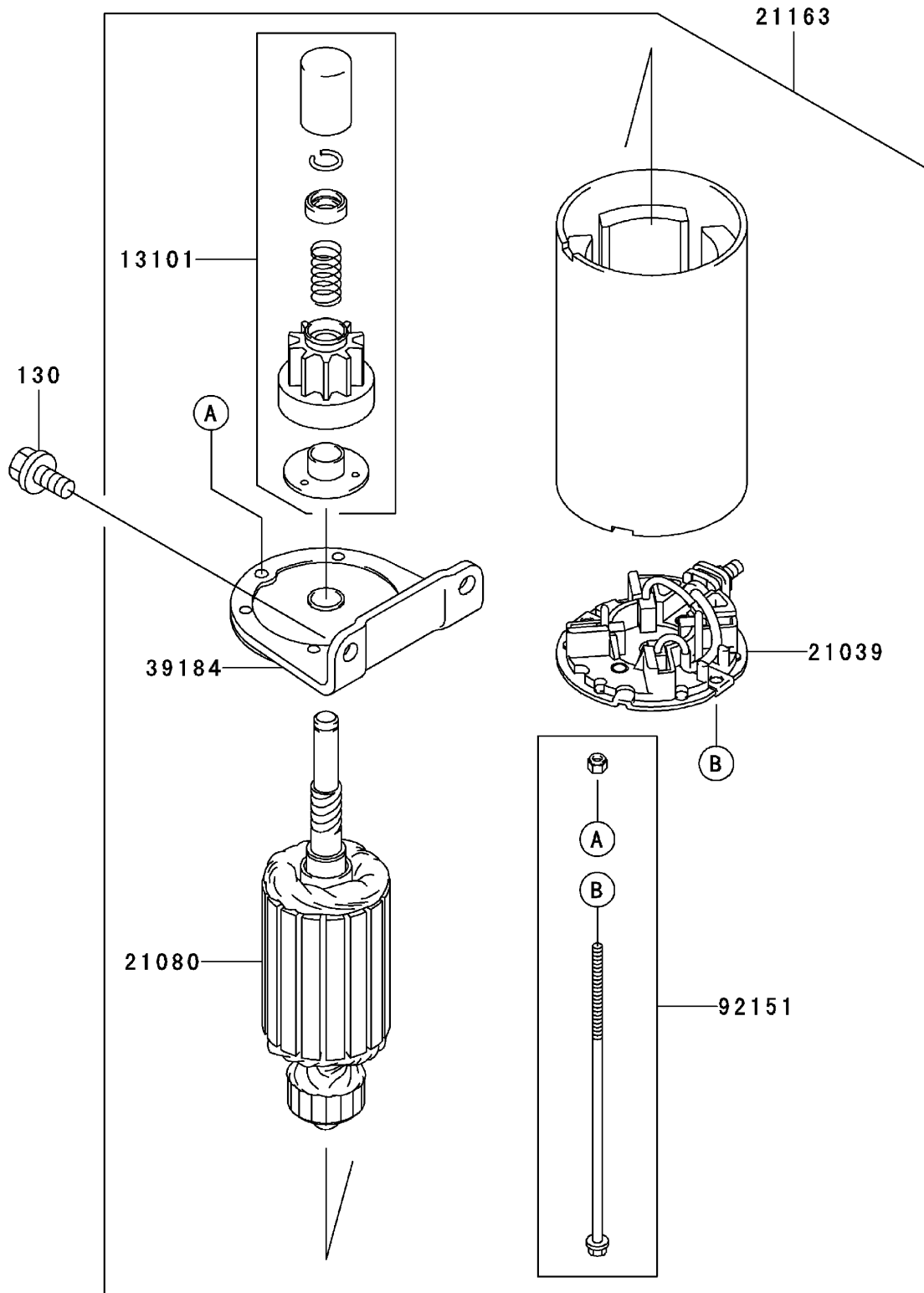


Air Filter / Muffler Assembly Kawasaki FH580V AS30 (continued)

<i>Ref.</i>	<i>Part Number</i>	<i>Qty.</i>	<i>Description</i>	<i>Ref.</i>	<i>Part Number</i>	<i>Qty.</i>	<i>Description</i>
11011	11011-7036	1	Case-Airfilter ●	92055	92055-7015	1	O-Ring ●
11013	11013-7025	1	Element-Filter, Air ●	92192	92192-7010	1	Tube ●
11013A	11013-7031	1	Element-Filter, Air ●	92210	92210-7004	2	Nut (M6) ●
11060	11060-7021	2	Gasket-Muffler ●	92210A	92210-7019	1	Nut ●
16060	16060-7016	1	Pipe-Intake ●	317	317R0800	4	Nut-Hex, Small (8Mm) ●
92015	92015-1193	2	Nut ●	461	461F0800	4	Washer-Spring (8Mm) ●

● Obtain parts from www.kawpowerepc.com

Starter Assembly Kawasaki FH580V AS30



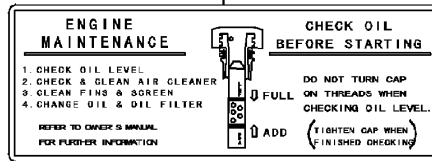
Starter Assembly Kawasaki FH580V AS30 (continued)

<i>Ref.</i>	<i>Part Number</i>	<i>Qty.</i>	<i>Description</i>
13101	13101-7003	1	Gear ASM ●
21039	21039-7004	1	Brush ●
21080	21080-7001	1	Armature ●
21163	21163-7010	1	Starter-Electric ●

<i>Ref.</i>	<i>Part Number</i>	<i>Qty.</i>	<i>Description</i>
39184	39184-7004	1	Bracket ASM ●
92151	92151-7013	1	Bolt ●
130	130B0816	2	Bolt-Flanged (8X16) ●

● Obtain parts from www.kawpowerepc.com

56033



56070



56080



Label Assembly Kawasaki FH580V AS30

Ref.	Part Number	Qty.	Description
56033	56033-7002	1	Label-Manual ●
56070	56070-7001	1	Label-Warning ●
56080	56080-7022	1	Label-Brand ●

● Obtain parts from www.kawpowerepc.com

Attachments and Accessories

For 74410 Z400 Z Master, With 52in 7-Gauge Side Discharge Mower

Product Name	Model/Part
Blade-Recycler, 18 Inch.....	105-7779-03
Blade-Hi Flow, 18 Inch.....	105-7781-03
Blade-Med Flow, 18 Inch.....	105-7794-03
Blade-Low Flow, 18 Inch.....	105-7795-03
Blade-Atomic, 18 Inch.....	105-7796-03
Striping Kit.....	106-3370
Deck Lift Assist Kit.....	106-9749
Suspension Kit for Standard Seat.....	107-1892
Z Stand Kit.....	107-8599
Blade-Hi-Flow, 18 Inch (6 Pack).....	108-1117
Blade-Atomic, 18 Inch (6 Pack).....	108-1118
Mower Deck Lift Assist Kit.....	108-4090
Blade-Lo-Flow, 18 Inch (6 Pack).....	110-0406
Blade-Recycler, 18 Inch (6 Pack).....	110-0408
Blade-Med-Flow, 18 Inch (6 Pack).....	110-0409
Bimini Sunshade.....	110-5726
Discharge Side Anti-Scalp Roller Kit.....	112-1792
Channel Reinforcement Kit.....	112-8673
Chute Gate Kit.....	78521
Deluxe Suspension Seat Kit.....	78530
Hitch Kit.....	99-8924

Notes:

Notes:



Count on it.