



Count on it.

Parts Catalog

Greensmaster® Flex™ 18 Mower

Model No. 04030—Serial No. 280000001 and Up

Ordering Replacement Parts

To order replacement parts, please supply the part number, the quantity, and the description of each part desired.

Understanding Reference Numbers

Each identified part in an illustration has a reference number. The reference number for a part also appears in the parts list, along with other information about the part.

This catalog uses two special reference number formats, one to indicate parts in a service assembly and another to indicate the quantity of a given part in an illustration.

Service Assembly Reference Numbers

Parts in service assemblies have reference numbers in the form a:b. The a represents the reference number of the entire service assembly and the b represents a sequential number unique to each part within the service assembly.

For example, a wheel assembly might be identified by reference number 6, the tire by 6:1, the valve by 6:2, and the wheel by 6:3. When you order the assembly identified by reference number 6, you receive all parts identified by reference numbers 6:1, 6:2, and 6:3. However, you may also order any part individually. Reference numbers of this type appear in illustration and in parts lists.

Reference Numbers Indicating Quantity

In an illustration, if a reference number indicates more than one part, the reference number has the form nX y. The n represents the quantity of the part, the X is the multiplication symbol, and the y represents the reference number.

For example, in an illustration, the reference number 2X 37 means that two of the parts identified by reference number 37 are indicated.

List of Abbreviations

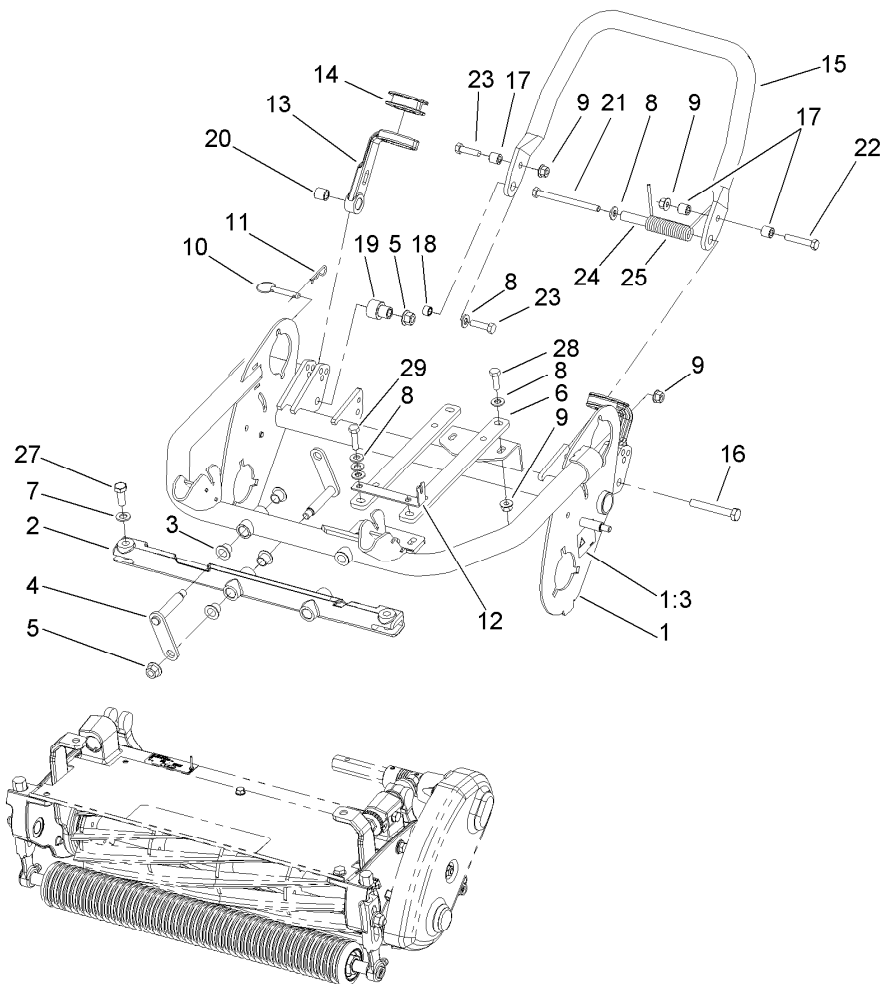
AR: as required
ASM: assembly
BBC: blade brake clutch
CARR: carriage
CCW: counter clock wise
CW: clockwise
DEG: degrees
ECM: electronic control module
EXT: external
FH: flat head
GA: gauge
HD: heavy-duty
HF: hex flange
HH: hex head
HHF: hex head flange
HHFTF: hex head flange thread forming
HJ: hex jam
HLH: hex lag head
HOC: height-of-cut

HSBH: hex socket button head
HSFH: hex socket flat head
HSH: hex socket head
HWH: hex washer head
HWHTF: hex washer head thread forming
HYD: hydraulic
LH: left hand
NI: nylon insert
NPTF: national pipe thread fine
PFH: phillips flat head
PPH: phillips pan head
PPHTF: phillips pan head thread forming
PRH: phillips round head
PTH: phillips truss head
PTO: power-take-off
RH: right hand
ROPS: roll-over protection system
RRB: rear roller brush

SFH: slotted fillister head
SHH: slotted hex head
SHWH: slotted hex washer head
SPH: slotted pan head
SQH: square head
SRH: slotted round head
STD: standard
TAP: self tapping
TTH: torx truss head

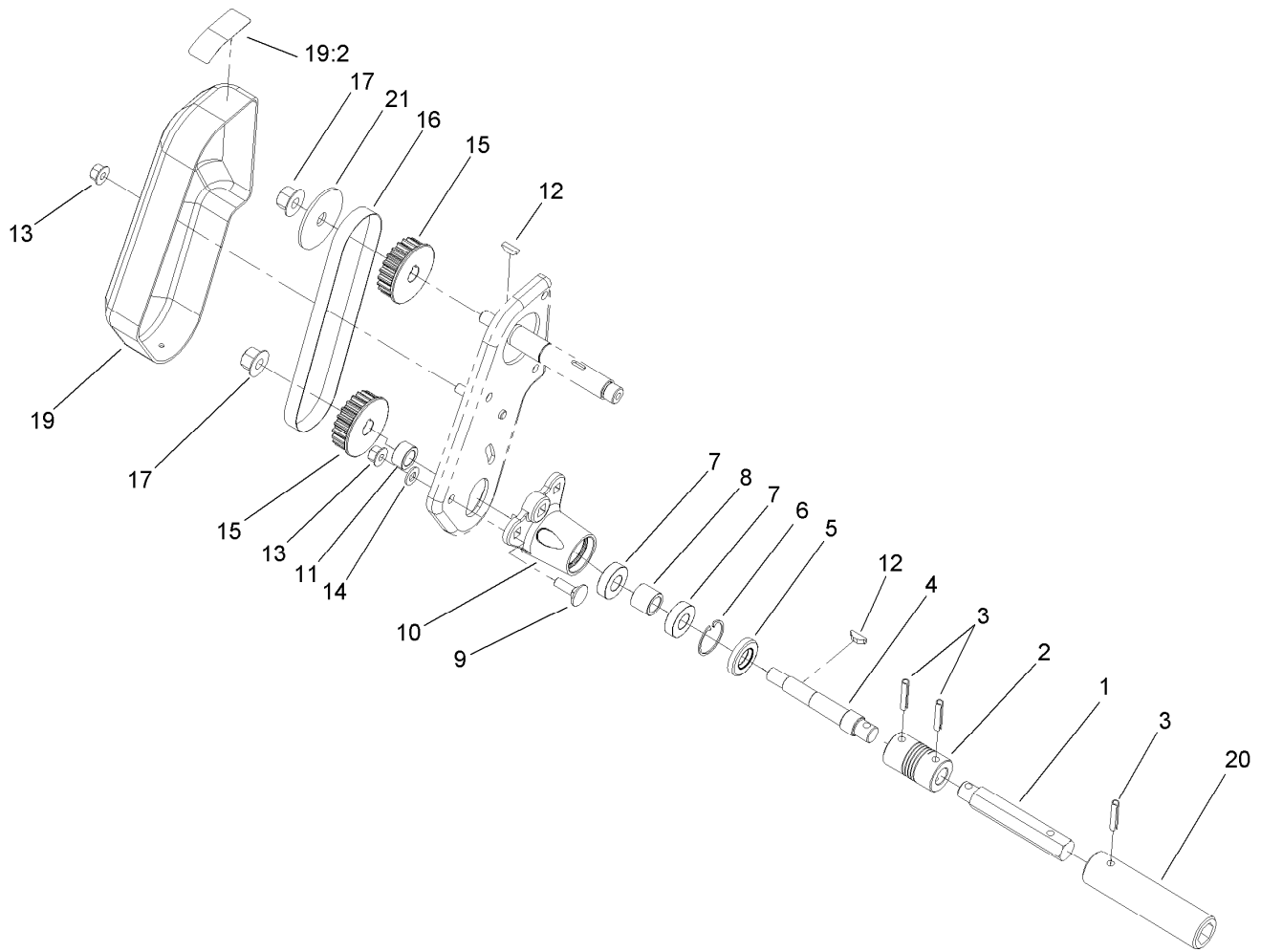
Contents

Frame Assembly.....	4
Reel Drive Assembly.....	5
Drum Drive and Basket Assembly.....	6
Engine and Gearbox Assembly.....	7
Gearbox Assembly.....	8
Differential Assembly No. 110-2243.....	10
Handle Assembly.....	11
Cylinder and Crankcase Assembly.....	12
Piston and Crankshaft Assembly.....	13
Valve and Camshaft Assembly.....	14
Lubrication Equipment Assembly.....	15
Cooling Equipment Assembly.....	16
Electric Equipment Assembly.....	17
Control Equipment Assembly.....	18
Carburetor Assembly.....	19
Air Filter and Muffler Assembly.....	20
Fuel Tank and Fuel Valve Assembly.....	21
Starter Assembly.....	22
Label Set.....	23
Attachments and Accessories.....	24



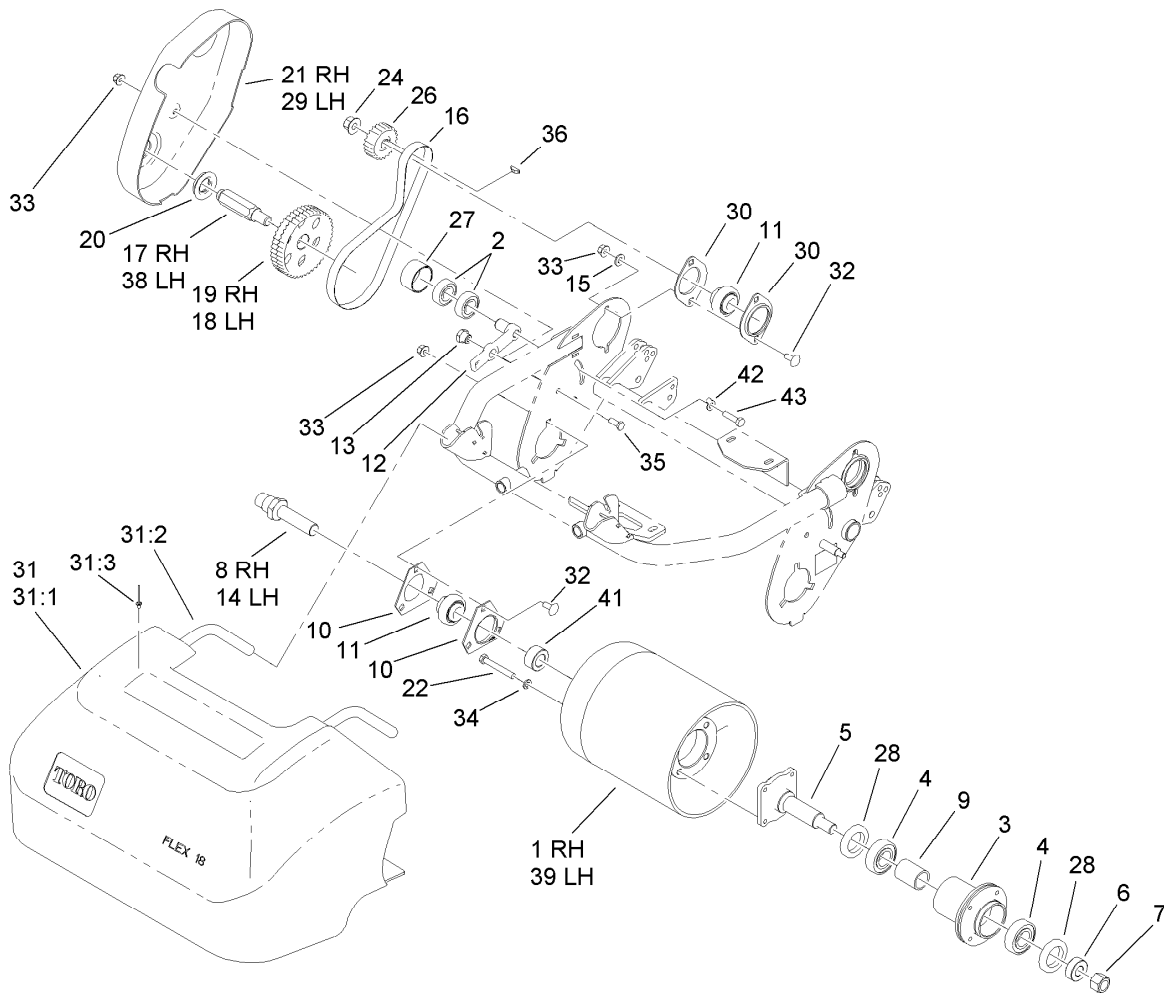
Frame Assembly

<i>Ref.</i>	<i>Part Number</i>	<i>Qty.</i>	<i>Description</i>	<i>Ref.</i>	<i>Part Number</i>	<i>Qty.</i>	<i>Description</i>
1	110-2402	1	Frame ASM	15	110-2246-03	1	Kickstand
1:3	93-9389	2	Decal-Warning, Belt (Japan)	16	33115-070	2	Screw-HH
2	110-2248-01	1	Frame-Front	17	93-6024	3	Bushing-Support, Handle
3	93-2561	8	Bushing-Flange	18	65-7910	1	Spacer
4	99-2063	4	Link ASM	19	108-3177	2	Spacer-Hub
5	104-2611	6	Nut-HF	20	99-2058	2	Spacer-Support, Handle
6	99-2070-01	2	Base-Engine	21	33114-100	1	Screw-HH
7	33095-00	2	Washer-Flat	22	33114-045	1	Screw-HH
8	33094-00	8	Washer-Plain	23	33114-030	2	Screw-HH
9	104-2612	8	Nut-HF	24	104-0502	1	Spacer-Kickstand, Long
10	93-6029	2	Pin-Clevis, Ring	25	99-2011	1	Spring-Torsion
11	3290-467	2	Pin-Hair	27	33115-025	2	Screw-HH
12	105-9939	1	Strap-Support, Cable	28	33114-025	3	Screw-HH
13	99-3774-03	2	Arm-Handle	29	33114-030	1	Screw-HH
14	65-7510	2	Grommet-Handle				



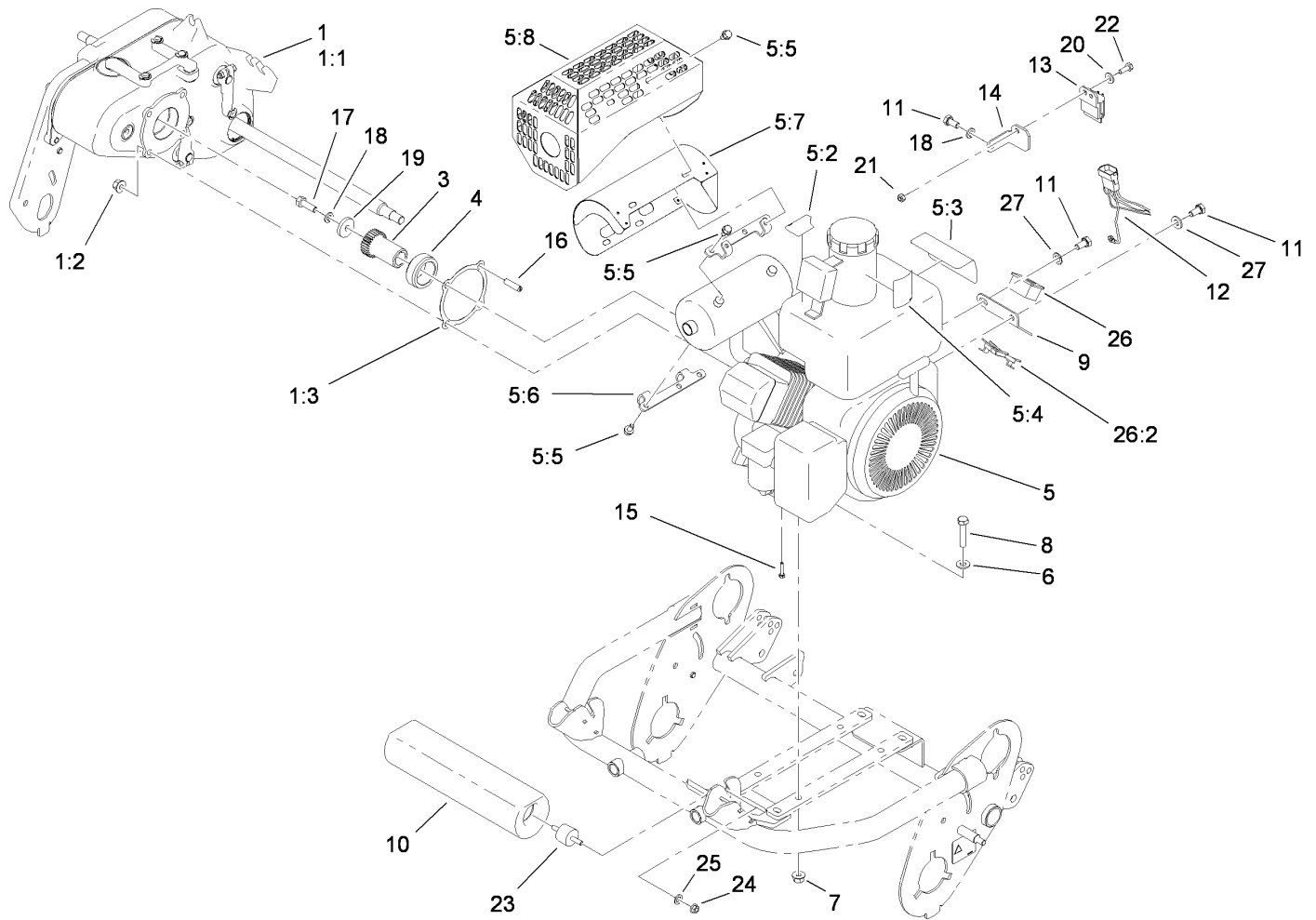
Reel Drive Assembly

<i>Ref.</i>	<i>Part Number</i>	<i>Qty.</i>	<i>Description</i>
1	110-2249	1	Shaft-Hex
2	99-3757	1	Coupling-Flex
3	32121-69	3	Pin-Spring
4	110-2382	1	Shaft-Drive, Reel
5	107-3205	1	Seal-Oil
6	32151-51	1	Ring-Retaining
7	251-336	2	Bearing-Ball
8	99-2079	1	Spacer
9	33124-025	2	Screw-CARR
10	99-2083	1	Housing-Bearing
11	110-2381	1	Spacer
12	3257-30	2	Key-Woodruff
13	104-2612	3	Nut-HF
14	33094-00	2	Washer-Plain
15	107-9044	2	Pulley-22 Tooth
16	99-2022	1	Belt
17	104-2610	2	Nut-HF
19	110-2286	1	Belt Cover ASM
19:2	105-2411	1	Decal-Oil, HYD
20	110-2390	1	Tube-Hex
21	104-0532	1	Washer-Pulley



Drum Drive and Basket Assembly

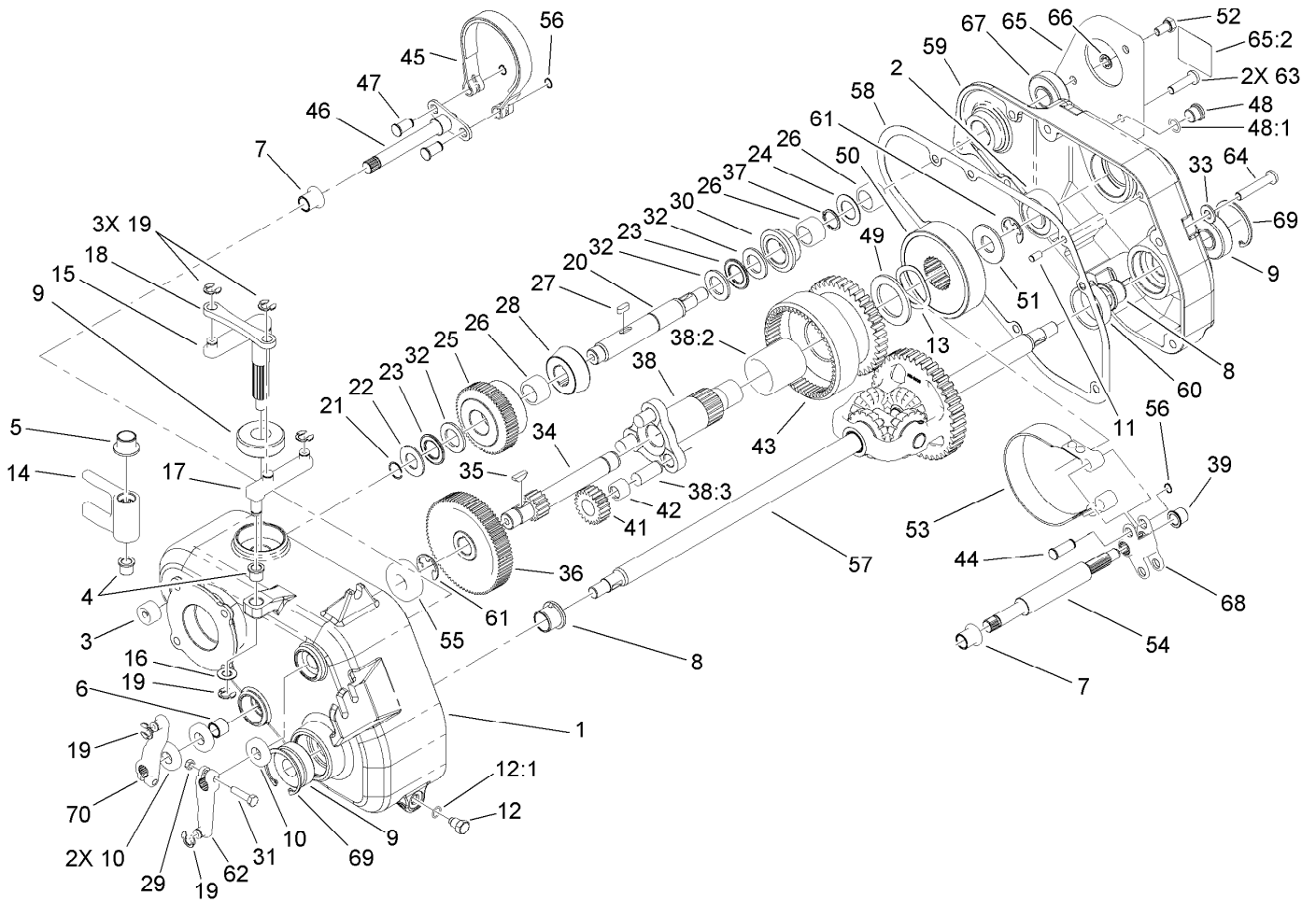
Ref.	Part Number	Qty.	Description	Ref.	Part Number	Qty.	Description
1	110-2238	1	Drum-Traction, RH	22	33114-060	8	Screw-HH
2	38-7820	4	Bearing-Ball	24	104-2610	2	Nut-HF
3	107-3214	1	Hub-Drum	26	110-2315	2	Pulley-Driver, 22 Tooth
4	251-82	2	Bearing-Ball	27	104-2609	2	Sleeve-Pulley
5	107-3215	1	Spindle-Drum	28	253-159	2	Seal
6	65-6530	1	Spacer	29	105-5327	1	Cover-Drum, LH
7	33028-00	1	Nut-Lock, NI	30	700083	4	Flangette-Bearing
8	107-3206	1	Shaft-Drum, RH	31	110-2252	1	Grass Basket ASM
9	65-6520	1	Spacer	31:1	110-2253	1	Basket-Grass
10	108-8626	4	Flange-Triangular	31:2	110-2250-03	1	Basket Frame ASM
11	106-8448	4	Bearing-Race, Extended	31:3	3269-28	5	Rivet-Pop
12	107-8179	2	Idler-Drive, Drum	32	33124-020	10	Screw-CARR
13	105-5770	2	Nut-Shoulder	33	104-2612	12	Nut-HF
14	107-3207	1	Shaft-Drum, LH	34	3253-4	8	Washer-Lock
15	33094-00	4	Washer-Plain	35	33114-020	2	Screw-HH
16	107-8175	2	Belt-Drum	36	3257-30	2	Key-Woodruff
17	107-3216	1	Shaft-Wheel, Transport (RH)	38	107-3224	1	Shaft-Wheel, Transport (LH)
18	110-2290	1	Pulley-Driven, Traction (LH)	39	110-2237	1	Drum-Traction, LH
19	110-2289	1	Pulley-Driven, Traction (RH)	41	106-8417	2	Spacer-Shaft, Drum
20	104-0533	2	Seal-Cover, Drum	42	107-8180	2	Washer-Tab
21	105-5326	1	Cover-Drum, RH	43	33114-030	2	Screw-HH



Engine and Gearbox Assembly

Ref.	Part Number	Qty.	Description	Ref.	Part Number	Qty.	Description
1	110-2241	1	Gearbox Service ASM	10	107-8191-01	1	Damper-13Lbs
1:1		1	Gearbox ASM ●	11	33114-016	3	Screw-HH
1:2	104-2612	4	Nut-HF	12	112-9410	1	Harness-Wire
1:3	99-2052	1	Gasket-Flange	13	1-323430	1	Module-Interlock
3	110-2445	1	Gear-Engine, 28 Tooth	14	94-5861	1	Bracket-Module
4	99-2001	1	Adapter-Engine	15	94-9015	1	Screw-HH
5	112-9400	1	Engine ASM	16	108-9446	4	Screw-Set
5:2	83-2560	1	Decal-Surface, Hot	17	3210-5	1	Screw-HH
5:2	105-5309	1	Decal-Surface, Hot (Ce)	18	3253-4	2	Washer-Lock
5:3	92-4813	1	Decal-Danger, Japan	19	65-8270	1	Washer
5:3	112-9406	1	Decal-Danger	20	3256-22	1	Washer-Flat
5:4	93-9886	1	Decal-Fuel	21	33023-00	1	Nut-Lock
5:5	104-2628	8	Screw-HWH	22	33113-016	1	Screw-HH
5:6	104-9771	2	Bracket-Guard, Muffler	23	110-2259	2	Mount-Isolator
5:7	112-9360	1	Shield-Muffler, Inner	24	33003-00	2	Nut-HF
5:8	112-9361-03	1	Guard-Muffler	25	107-7601	2	Washer-Tab
6	33094-00	4	Washer-Plain	26	104-4233	1	Meter-Hour
7	104-2612	8	Nut-HF	26:2	104-4234	1	Clip-Mounting
8	33114-040	4	Screw-HH	27	3255-9	2	Washer-Lock
9	104-2622	1	Bracket-Meter, Hour				

● Not serviced separately



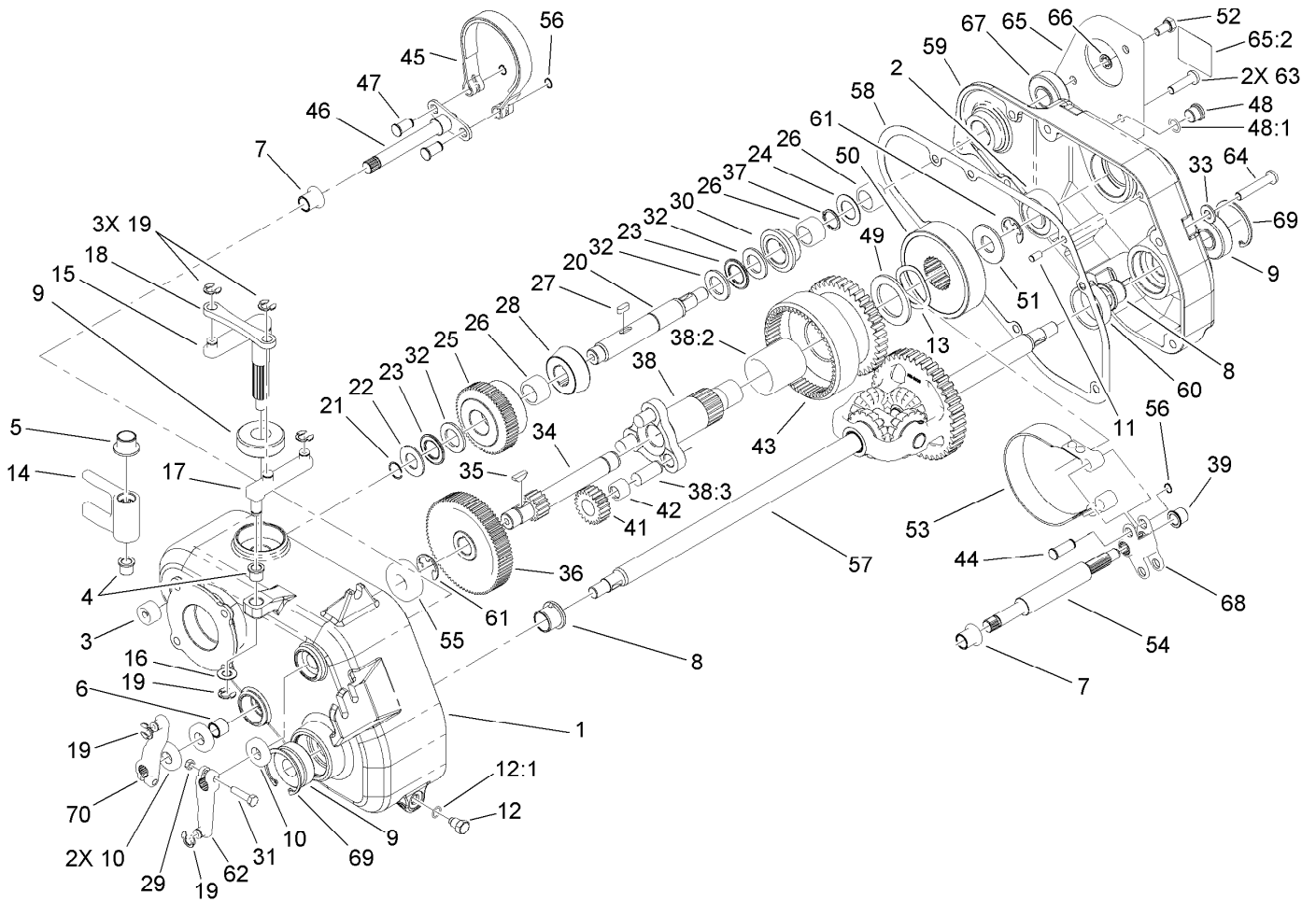
Gearbox Assembly

Ref.	Part Number	Qty.	Description	Ref.	Part Number	Qty.	Description
1	106-4682	1	Housing-Gearbox	23	99-3836	2	Bearing-Thrust
2	110-7339	1	Bearing-Ball	24	99-3837	1	Washer-Thrust
3	98-4194	1	Bearing-Needle, Caged	25	110-2444	1	Gear-Clutch, 55 Tooth (Reel Crowned)
4	256-316	2	Bushing	26	1523	3	Bearing-Needle
5	256-287	1	Bushing	27	99-2059	2	Key
6	256-1	1	Bushing	28	107-3232	1	Cone ASM
7	256-219	2	Bushing	29	33023-00	2	Nut-Lock
8	99-2062	2	Bushing-Keyed, Flanged	30	110-2459	1	Hub-Plunger
9	107-8132	3	Seal-Oil, Non-Vented Gearbox ▲	31	33113-025	2	Screw-HH
9	117-1443	3	Seal-Oil, Vented Gearbox ●	32	99-3807	3	Washer-Thrust
10	99-2056	3	Seal-Oil	33	33094-00	4	Washer-Plain
11	95-0715	2	Pin-Dowel	34	107-8128	1	Shaft-Sun
12	110-2455	1	Fitting-Plug, Magnetic	35	3257-30	1	Key-Woodruff
12:1	237-118	1	O-Ring	36	110-2442	1	Gear-Traction, 78 Tooth (Crowned)
13	105-9944	1	Washer-Wave, Spring	37	32120-72	1	Ring-Snap
14	99-2014	1	Fork-Clutch	38	110-2439	1	Carrier ASM
15	110-2458	1	Shaft-Fork	38:2	104-0524	1	Bushing-Carrier
16	37-8080	1	Washer-Thrust	38:3	107-9031	3	Pin-Dowel
17	110-2450	1	Lever-Bellcrank	39	104-9776	1	Bushing-Flanged
18	99-3780	1	Link	41	106-4694	3	Gear-Spur
19	32151-47	6	Ring-Retaining	42	48-2060	3	Bearing-Roller
20	99-2009	1	Shaft-Clutch	43	110-2451	1	Gear-Ring, Planetary
21	99-3805	1	Ring-Retaining	44	106-8444	2	Pin-Clevis, Long
22	99-3806	1	Washer-Thrust	45	99-2049	1	Band-Brake

● Not illustrated

▲ For use in units with non-vented gearbox covers

■ For use in units with vented gearbox covers



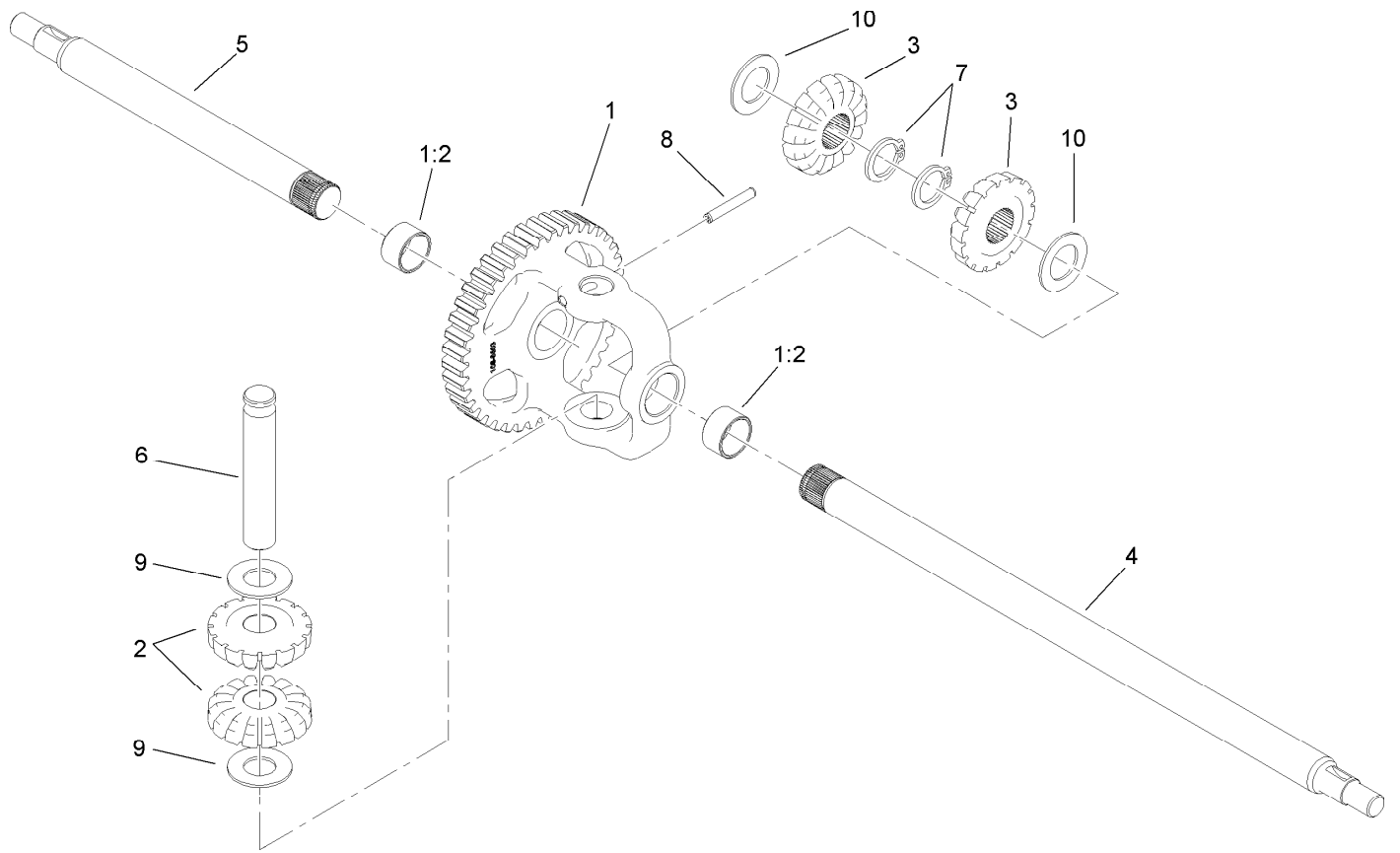
Gearbox Assembly (continued)

Ref.	Part Number	Qty.	Description	Ref.	Part Number	Qty.	Description
46	99-2020	1	Shaft-Brake	59	106-4683	1	Cover-Gearbox
47	106-8445	2	Pin-Clevis, Short	60	99-2061	1	Bushing-Keyed
48	353-989	1	Plug-Hex, Hollow	61	32151-48	2	E-Ring
48:1	237-42	1	O-Ring	62	99-3761	1	Lever-Gearbox
49	99-2054	1	Washer-Thrust	63	99-6208	2	Screw-HSH
50	110-2452	1	Drum-Clutch, Traction	64	99-6207	4	Screw-HSBH
51	99-2055	1	Washer-Thrust	65	110-2293	1	Drive Plate ASM
52	33114-016	1	Screw-HH	65:2	93-9356	1	Decal-Warning, Belt
53	107-9042	1	Clutch Band ASM	65:2	93-9389	1	Decal-Warning, Belt (Japan)
54	105-9937	1	Shaft-Clutch, Traction	66	3254-2	1	Washer-Lock, Internal
55	251-6	1	Bearing-Ball	67	105-2429	1	Seal-Oil
56	32120-46	4	Ring-Retaining	68	105-9938	1	Hub-Clutch, Traction
57	110-2243	1	Differential ASM	69	32120-62	2	Ring-Retaining
58	99-2051	1	Gasket	70	110-3451	1	Lever-Gearbox

● Not illustrated

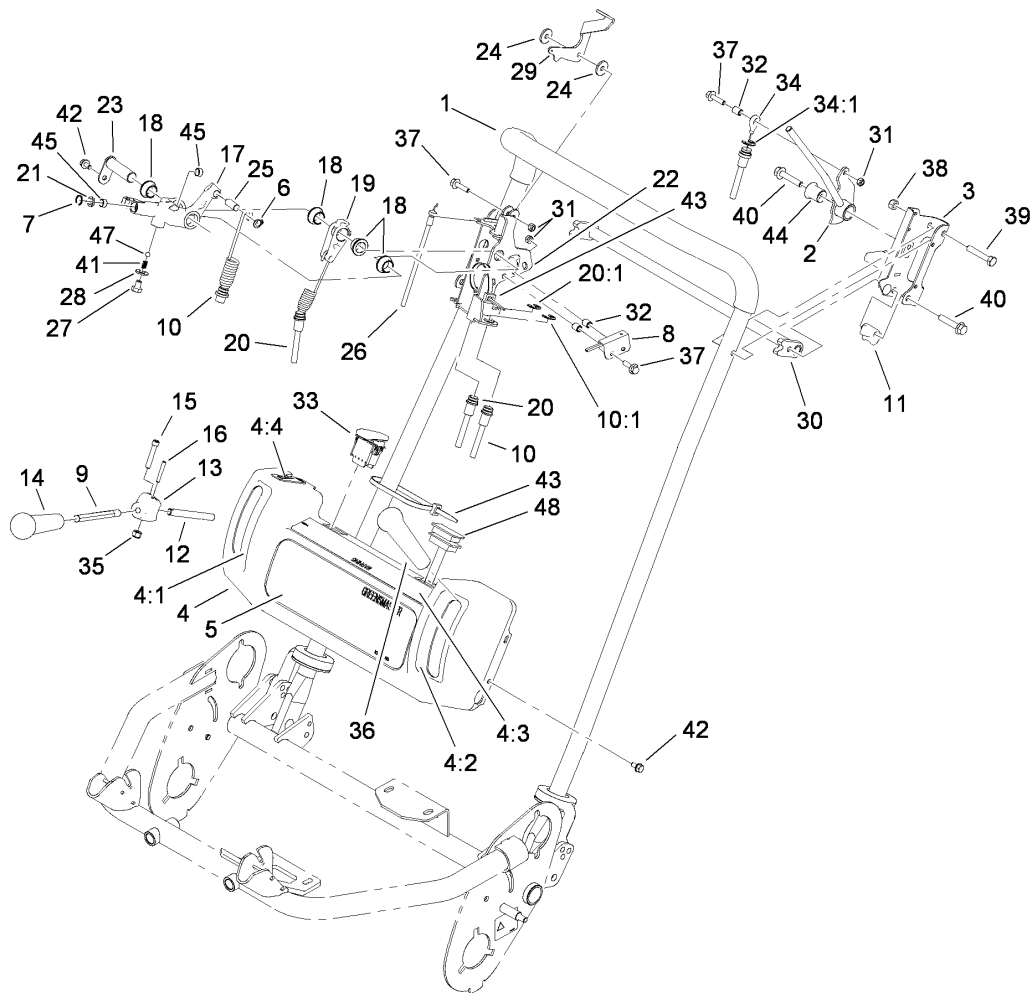
▲ For use in units with non-vented gearbox covers

■ For use in units with vented gearbox covers



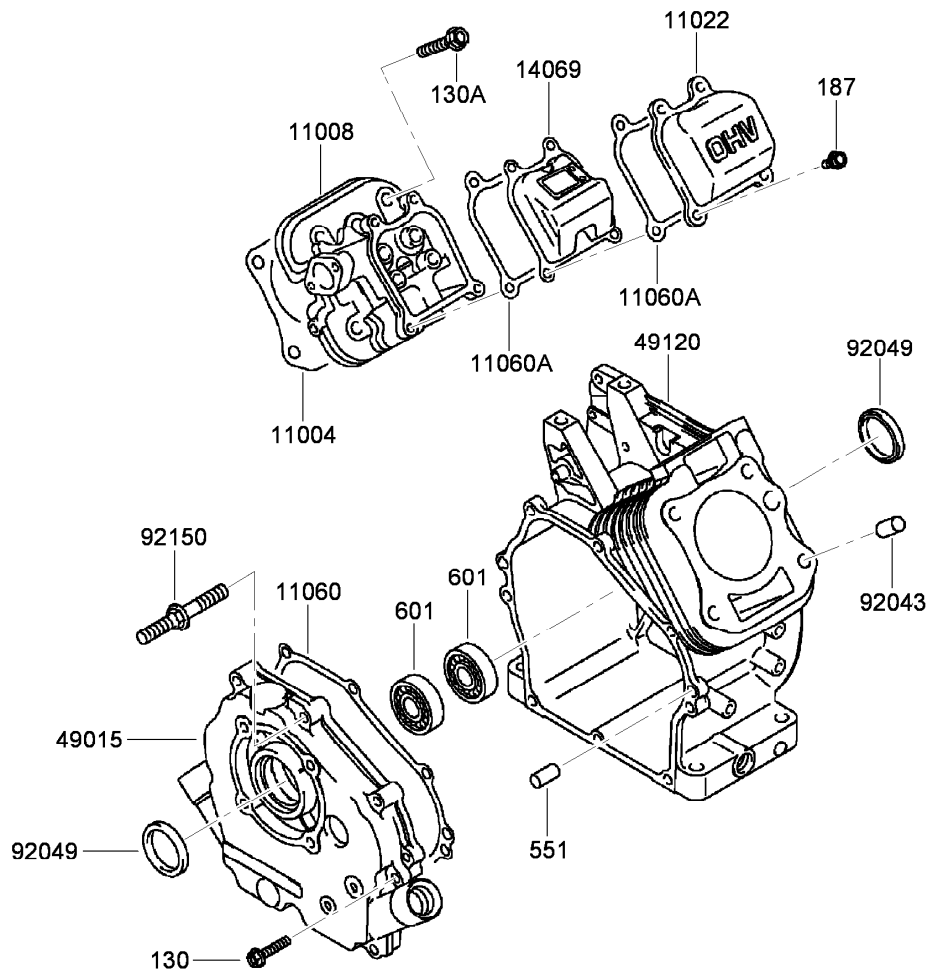
Differential Assembly No. 110-2243

<i>Ref.</i>	<i>Part Number</i>	<i>Qty.</i>	<i>Description</i>
1	108-8605	1	Differential Housing ASM
1:2	108-8604	2	Bushing
2	108-8606	2	Gear-Bevel, Driven
3	108-8607	2	Gear-Bevel, Drive
4	110-2244	1	Axle-Long
5	110-2245	1	Axle-Short
6	108-8611	1	Shaft-Gear
7	32120-93	2	Ring-Retaining
8	32121-6	1	Pin-Roll, Slotted
9	108-8612	2	Washer
10	108-8613	2	Washer



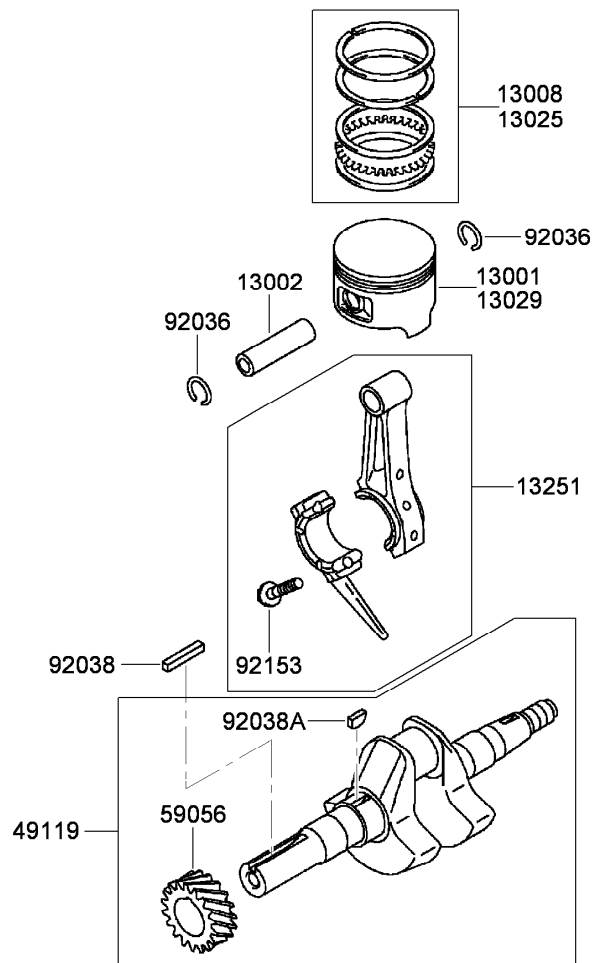
Handle Assembly

Ref.	Part Number	Qty.	Description	Ref.	Part Number	Qty.	Description
1	110-2383	1	Handle	22	110-7334-03	1	Control Bracket ASM
2	112-9329	1	Brake Lever ASM	23	99-3833	1	Pin-Lever, Reel
3	110-7332-03	1	Brake Bracket ASM	24	66-2921	2	Washer-Friction
4	115-1062	1	Console ASM	25	104-9782	1	Pin-Dowel
4:1	104-2617	1	Decal-Lever, Traction	26	104-2620	1	Cable-Throttle
4:2	104-2618	1	Decal-Lever, Brake	27	108-8646	1	Screw-HH, Lock
4:3	104-2621	1	Decal-Warning	28	33094-00	1	Washer-Plain
4:4	93-6085	1	Decal-Throttle	29	108-3179	1	Lever-Throttle
5	110-2254	1	Decal-Console	30	112-9425	1	Handle-Crossmember
6	105-2410	1	Ring-Retaining	31	33023-00	4	Nut-Lock
7	105-5324	1	Ring-Retaining	32	105-2401	3	Spacer-Cable, Brake
8	100-1270	1	Switch-Proximity	33	112-9420	1	Switch-Engine
9	105-5319	1	Rod-Handle	34	99-6214	1	Cable-Brake
10	105-5328	1	Cable-Clutch, Traction	34:1	32120-47	1	Ring-Retaining, External
10:1	32120-47	1	Ring-Retaining, External	35	3296-42	1	Nut-Lock, NI
11	110-2415	2	Clamp-Handle	36	104-9774	1	Knob-Red
12	99-3835	1	Pin	37	33103-025	4	Screw-HHF
13	104-9761	1	Hub-Mount, Handle	38	33024-00	2	Nut-Lock
14	104-9760	1	Knob-Black	39	33114-045	2	Screw-HH
15	105-5349	1	Screw-HSH, Special	40	112-9419	3	Screw-HHF, W/Lock
16	32121-51	1	Pin-Roll	41	105-2443	1	Spring-Detent
17	104-9758	1	Lever-Control, Traction	42	104-2628	5	Screw-HWH
18	80-1290	4	Bushing	43	3290-378	4	Tie-Cable
19	99-3830	1	Lever-Reel	44	112-9317	1	Bushing-Flanged
20	99-3765	1	Cable-Clutch, Reel	45	99-6247	2	Bushing-Bronze
20:1	32120-47	1	Ring-Retaining, External	47	105-2442	1	Ball-Detent
21	105-2407	1	Wiper	48	99-7420	1	Plug-Hole



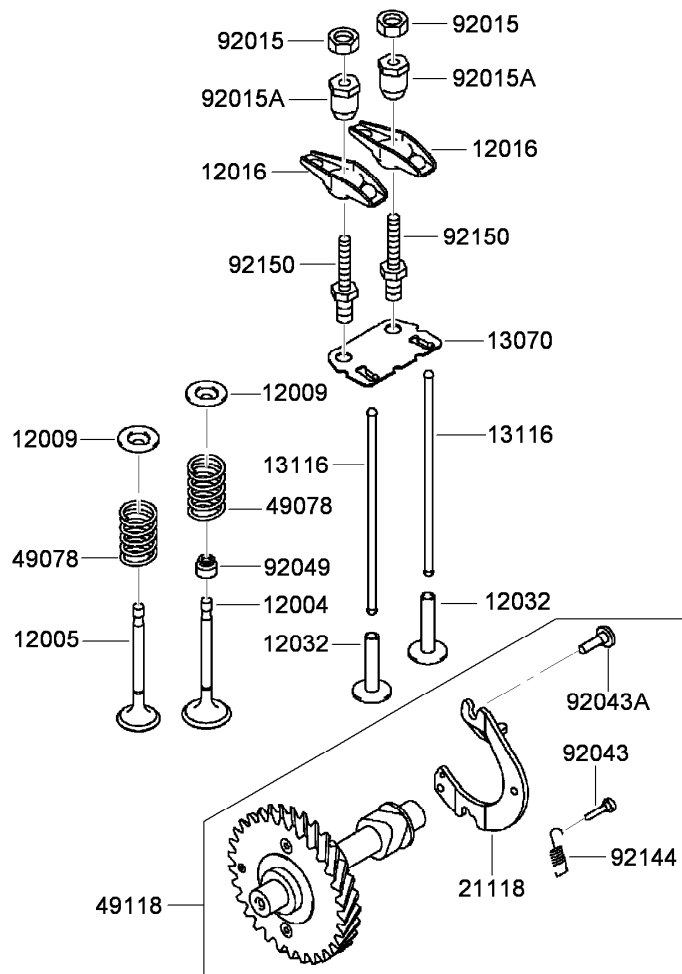
Cylinder and Crankcase Assembly

<i>Ref.</i>	<i>Part Number</i>	<i>Qty.</i>	<i>Description</i>
130	108-2522	7	Bolt-Flanged (6X30)
130A	115-1759	4	Bolt-Flanged (8X45)
187	115-1760	4	Bolt-Upset, Wsp (6X16)
551	93-8516	2	Pin-Dowel (6X12)
601	93-8517	2	Bearing-Ball
11004	93-8504	1	Gasket-Head
11008	115-1757	1	Head-Cylinder
11022	93-8508	1	Case-Rocker
11060	93-8525	1	Gasket-Cover, Crankcase
11060A	93-8509	2	Gasket-Case, Rocker
14069	93-8510	1	Breather
49015	93-8697	1	Cover-Crankcase
49120	93-8515	1	Crankcase
92043	93-8512	2	Pin
92049	93-8511	2	Seal-Oil
92150	93-8524	1	Stud



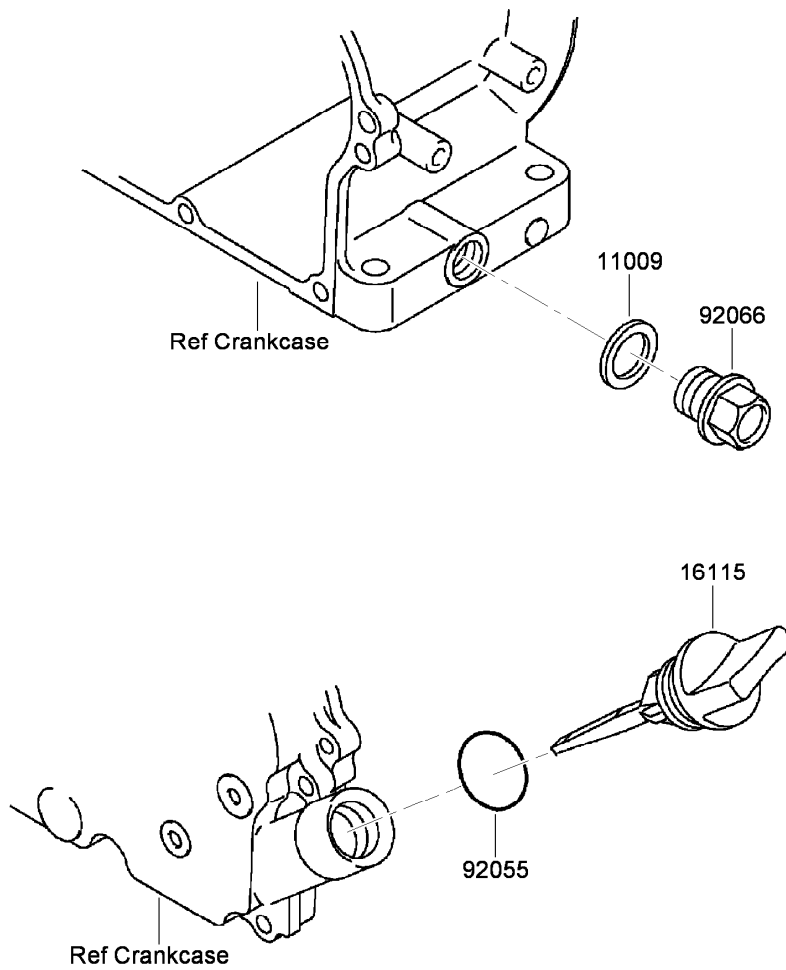
Piston and Crankshaft Assembly

<i>Ref.</i>	<i>Part Number</i>	<i>Qty.</i>	<i>Description</i>
13001	93-8502	1	Piston
13002	93-8501	1	Pin-Piston
13008	93-8503	1	Set-Ring, Piston
13025	94-6837	1	Piston Ring Set (.05Mm)
13029	94-6836	1	Piston (0.5 O S)
13251	93-8528	1	Connecting Rod ASM
49119	93-8696	1	Crankshaft ASM
59056	94-9043	1	Gear-Helical
92036	93-8500	2	Ring-Retaining
92038	93-8526	1	Key
92038A	93-8698	1	Key
92153	115-1805	2	Bolt (6X30)



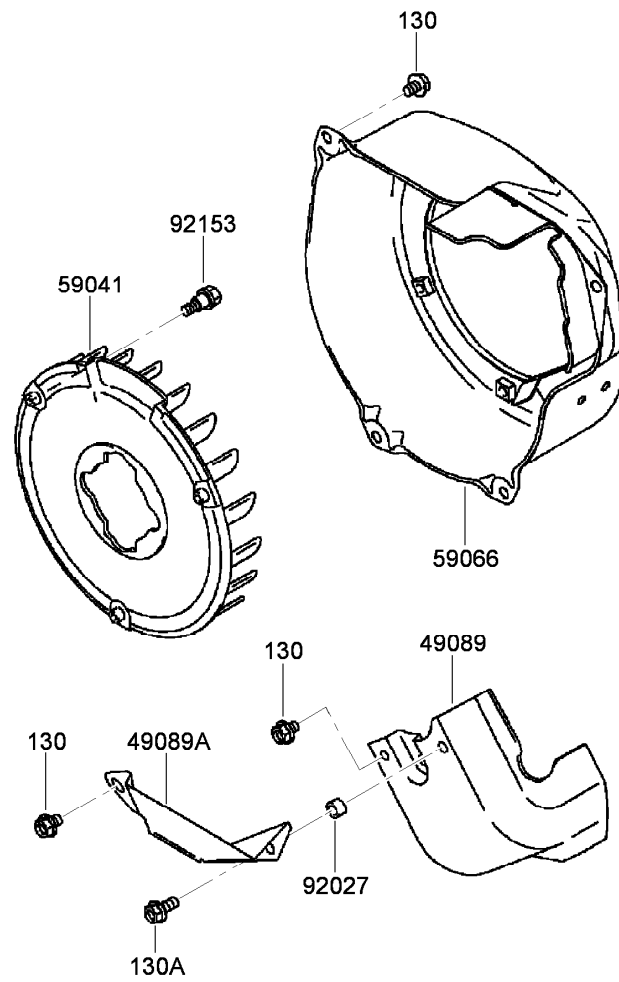
Valve and Camshaft Assembly

<i>Ref.</i>	<i>Part Number</i>	<i>Qty.</i>	<i>Description</i>
12004	93-8532	1	Valve-Intake
12005	93-8529	1	Valve-Exhaust
12009	93-8531	2	Retainer-Spring, Valve
12016	93-8535	2	Arm-Rocker
12032	93-8539	2	Tappet
13070	115-1758	1	Guide
13116	93-8538	2	Rod-Push
21118	93-8543	1	Decompressor
49078	115-1763	2	Spring-Valve, Engine
49118	93-8699	1	Camshaft ASM
92015	93-8533	2	Nut
92015A	93-8534	2	Nut
92043	93-8542	1	Pin
92043A	93-8540	2	Pin
92049	115-1762	1	Seal-Oil
92144	93-8541	1	Spring
92150	93-8536	2	Bolt



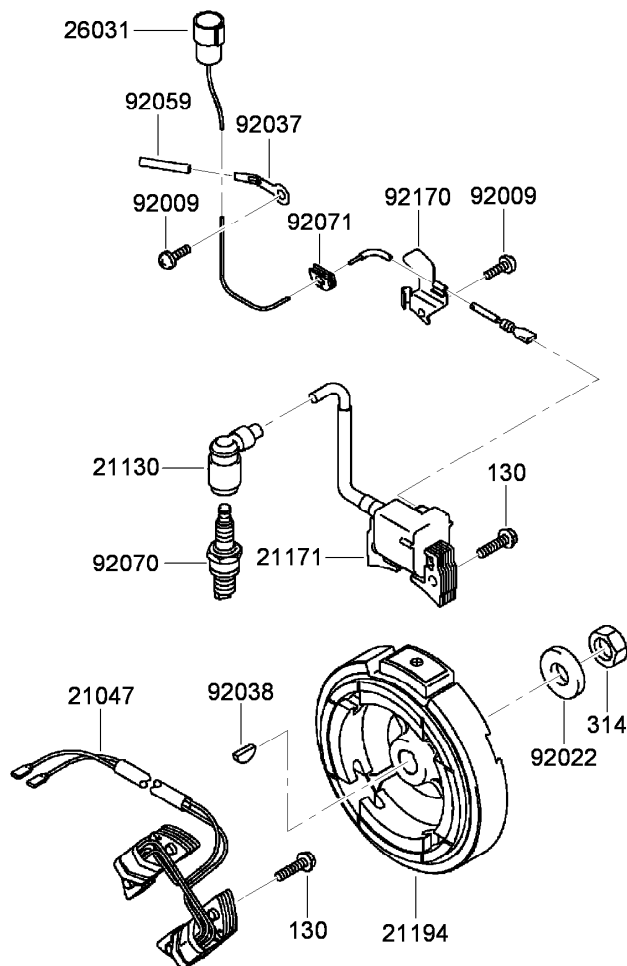
Lubrication Equipment Assembly

<i>Ref.</i>	<i>Part Number</i>	<i>Qty.</i>	<i>Description</i>
11009	93-8514	2	Gasket-Plug, Drain (14.2X19X2)
16115	93-8523	2	Cap-Filler, Oil
92055	94-9041	2	O-Ring (20Mm)
92066	115-1761	2	Plug (14X12)



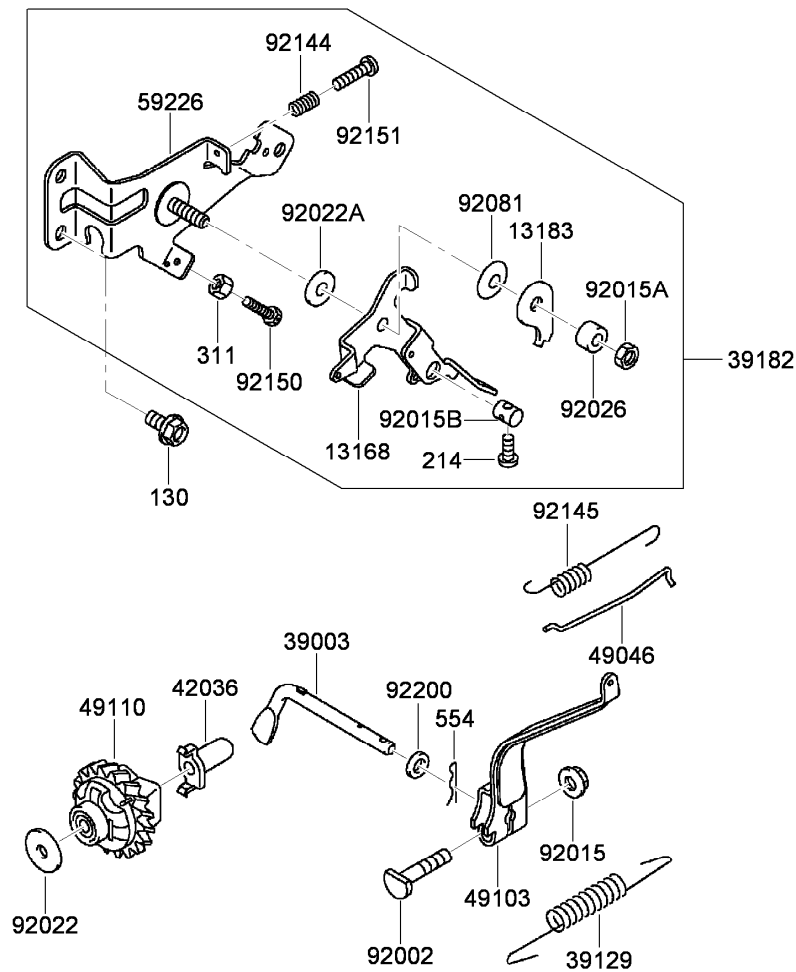
Cooling Equipment Assembly

<i>Ref.</i>	<i>Part Number</i>	<i>Qty.</i>	<i>Description</i>
130	115-1765	7	Bolt-Flanged (6X8)
130A	115-1764	1	Bolt-Flanged (6X14)
49089	93-8563	1	Shroud-Engine
49089A	93-8565	1	Shroud-Engine
59041	93-8572	1	Fan
59066	115-1804	1	Housing-Fan
92027	93-8564	1	Collar (6.8X10X6)
92153	115-1766	3	Bolt



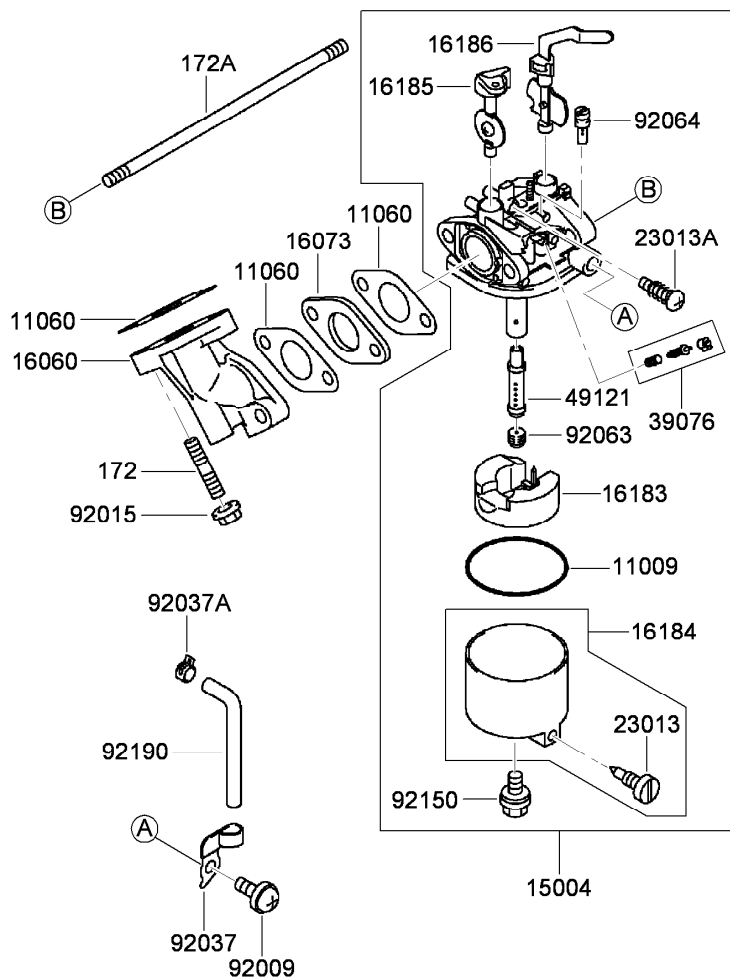
Electric Equipment Assembly

<i>Ref.</i>	<i>Part Number</i>	<i>Qty.</i>	<i>Description</i>
130	100-2610	6	Bolt-Flanged (6X25)
314	115-1845	1	Nut-Hex, Fine
21047	99-4267	1	Coil-Lighting
21130	KW10087	1	Cap-Sparkplug
21171	94-9031	1	Ignition Coil ASM
21194	99-6237	1	Flywheel ASM
26031	115-1767	1	Harness
92009	95-9716	2	Screw
92022	93-8569	1	Washer
92037	115-1771	1	Clamp
92038	93-8571	1	Key
92059	115-1768	1	Tube (5X6X75)
92070	108-2557	1	Sparkplug (Bpr5Es) (Ngk) Solid
92071	115-1772	1	Grommet
92170	93-8583	1	Clamp



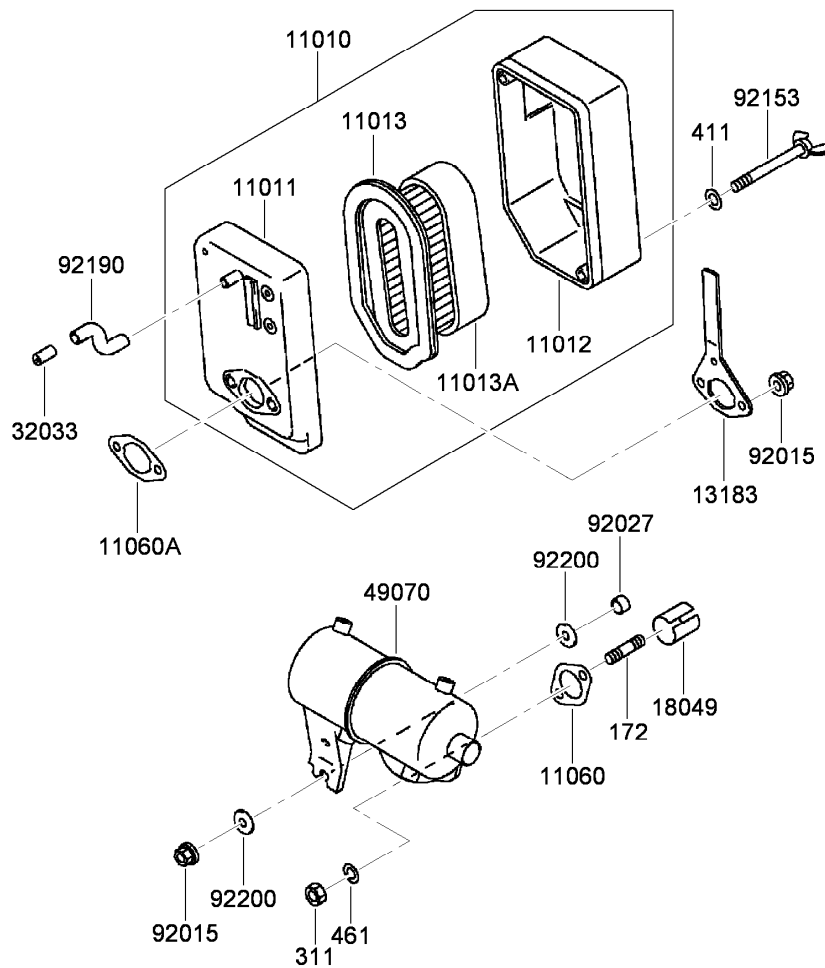
Control Equipment Assembly

<i>Ref.</i>	<i>Part Number</i>	<i>Qty.</i>	<i>Description</i>	<i>Ref.</i>	<i>Part Number</i>	<i>Qty.</i>	<i>Description</i>
130	115-1809	2	Bolt-Flanged (6X12)	92002	93-8606	1	Bolt (6X28)
214	115-1778	1	Screw-Pan (4X14)	92015	93-8631	1	Nut
311	115-6495	1	Nut-Hex	92015A	93-8595	1	Nut
554	115-8671	1	Pin-Snap (1.2X21.2)	92015B	93-8597	1	Nut
13168	93-8598	1	Lever	92022	94-6842	1	Washer (6.2X20X0.5)
13183	93-8592	1	Plate	92022A	93-8590	1	Washer
39003	93-8609	1	Arm-Pivot	92026	115-1776	1	Spacer
39129	115-1803	1	Spring-Governor	92081	115-1775	1	Spring
39182	115-1754	1	Control Panel ASM	92144	93-8588	1	Spring
42036	108-2567	1	Sleeve	92145	115-1810	1	Spring
49046	115-1811	1	Rod-Governor	92150	115-1813	1	Bolt
49103	93-8603	1	Arm-Governor	92151	115-1774	1	Bolt (4X22)
49110	115-1812	1	Governor ASM	92200	93-8608	1	Washer (6.5X11.5X2.0)
59226	115-1773	1	Panel-Control				



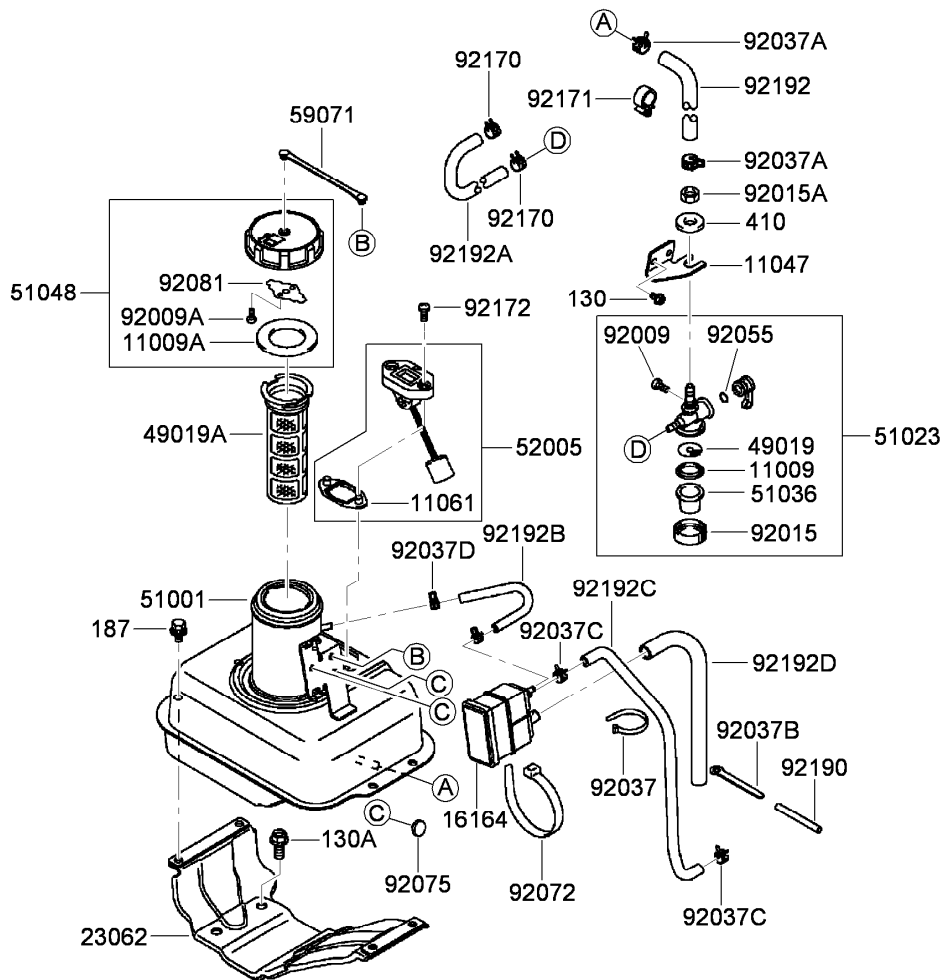
Carburetor Assembly

Ref.	Part Number	Qty.	Description
172	93-8632	2	Bolt-Stud (6X18)
172A	115-1814	1	Bolt-Stud (6X73)
11009	93-8624	1	Gasket
11060	93-8613	3	Gasket
15004	115-1869	1	Carburetor ASM
16060	93-8633	1	Pipe-Intake
16073	94-9048	1	Insulator
16183	94-6844	1	Float ASM
16184	93-8625	1	Float Chamber ASM
16185	94-9033	1	Throttle Valve ASM
16186	115-1870	1	Choke Valve ASM
23013	93-8626	1	Screw ASM
23013A	93-8619	1	Screw ASM
39076	94-9034	1	Limiter
49121	115-1871	1	Nozzle-Main
92009	94-6845	1	Screw
92015	93-8631	2	Nut
92037	94-6846	1	Clamp
92037A	93-8629	1	Clamp
92063	94-9036	1	Jet-Main (No.65)
92064	94-9037	1	Jet-Pilot (No.40)
92150	93-8627	1	Bolt
92190	93-8630	1	Tube



Air Filter and Muffler Assembly

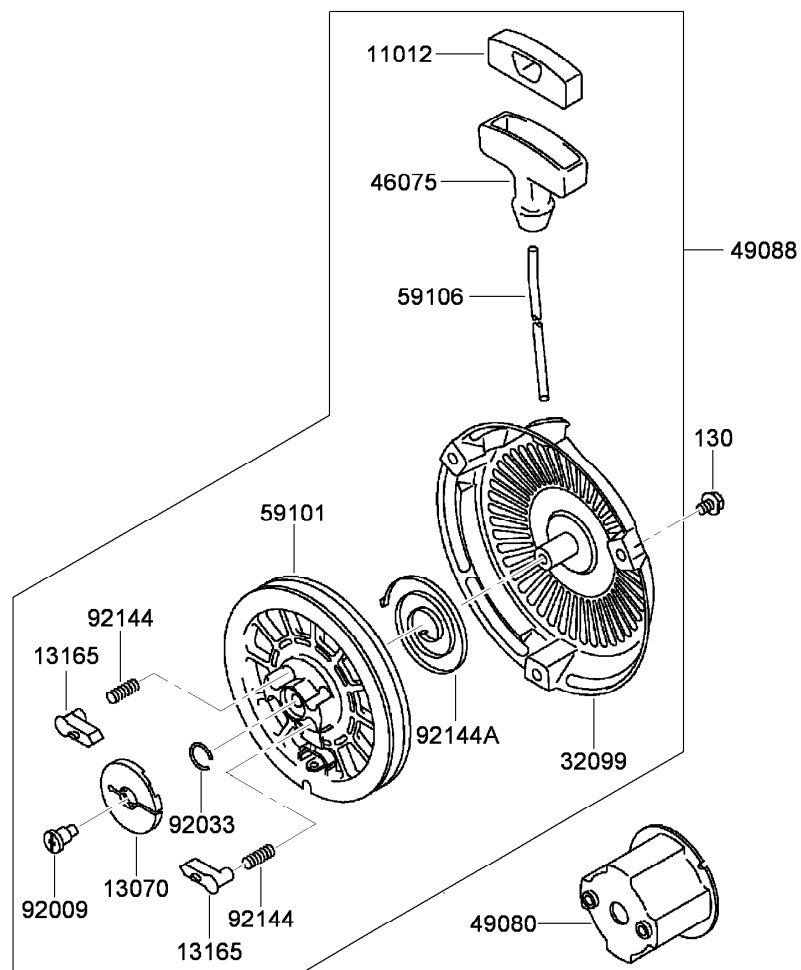
<i>Ref.</i>	<i>Part Number</i>	<i>Qty.</i>	<i>Description</i>
172	115-1819	2	Bolt-Stud (6X16)
311	93-8656	2	Nut-Hex (6Mm)
411	115-1802	2	Washer-Plain
461	115-1801	2	Washer-Spring
11010	115-1872	1	Air Filter ASM
11011	115-1873	1	Case-Filter, Air
11012	93-8638	1	Cap-Filter, Air
11013	93-8636	1	Element-Filter, Air
11013A	93-8637	1	Element-Filter, Air
11060	93-8654	1	Gasket-Muffler
11060A	93-8657	1	Gasket-Filter, Air
13183	93-8642	1	Plate-Filter, Air
18049	93-8652	1	Pipe-Exhaust
32033	93-8658	1	Pipe
49070	115-1874	1	Muffler
92015	93-8631	3	Nut
92027	93-8651	1	Collar
92153	93-8640	2	Bolt
92190	93-8659	1	Tube
92200	93-8650	2	Washer (.5X18X2.0)



Fuel Tank and Fuel Valve Assembly

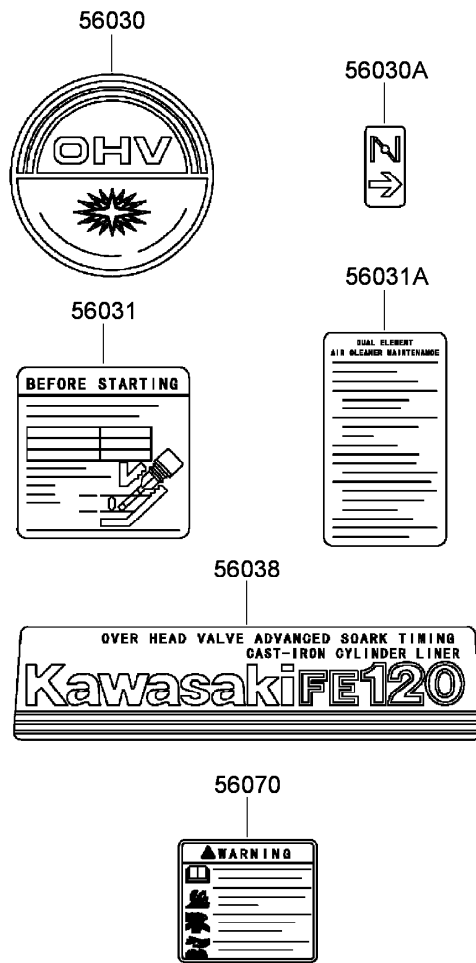
Ref.	Part Number	Qty.	Description
130	115-1864	2	Bolt-Flanged (5X8)
130A	115-1867	4	Bolt-Flanged (8X18)
187	115-1760	4	Bolt-Upset, Wsp (6X16)
410	115-1885	1	Washer-Plain, Small
11009	93-8673	1	Gasket
11009A	93-8662	1	Gasket
11047	93-8681	1	Bracket
11061	104-2384	1	Gasket-Gauge, Fuel
16164	115-1859	1	Canister
23062	104-2383	1	Bracket-Tank
49019	94-6849	1	Filter-Tapper, Fuel
49019A	94-6826	1	Filter-Fuel
51001	115-1858	1	Fuel Tank ASM
51023	93-8669	1	Fuel Tapper ASM
51036	93-8674	1	Cup-Tapper, Fuel
51048	115-1857	1	Tank Cap ASM
52005	93-8685	1	Gauge-Fuel
59071	115-1856	1	Joint
92009	93-8670	1	Screw
92009A	93-8661	2	Screw

Ref.	Part Number	Qty.	Description
92015	93-8675	1	Nut
92015A	94-9042	1	Nut
92037	115-1855	1	Clamp
92037A	115-1861	2	Clamp-Clip, Hose
92037B	115-1854	1	Clamp
92037C	93-8664	2	Clamp
92037D	93-8676	2	Clamp
92055	93-8671	1	O-Ring
92072	115-1853	1	Band
92075	115-1852	2	Damper
92081	93-8663	1	Spring
92170	115-1865	2	Clamp
92171	115-1862	1	Clamp
92172	115-1860	2	Screw (5X12)
92190	115-1851	1	Tube
92192	115-1863	1	Tube (6.2X13.2X200)
92192A	115-1866	1	Tube (4X11X160)
92192B	115-1889	1	Tube
92192C	115-1890	1	Tube
92192D	115-1891	1	Tube



Starter Assembly

<i>Ref.</i>	<i>Part Number</i>	<i>Qty.</i>	<i>Description</i>
130	115-1765	3	Bolt-Flanged (6X8)
11012	94-9044	1	Cap-Grip
13070	93-8562	1	Guide-Pawl
13165	93-8554	2	Pawl-Starter, Recoil
32099	94-9046	1	Case-Starter, Recoil
46075	94-9045	1	Grip-Starter, Recoil
49080	93-8567	1	Pulley-Recoil
49088	93-8552	1	Recoil Starter ASM
59101	93-8556	1	Reel-Starter, Recoil
59106	93-8560	1	Rope (4X1500)
92009	93-8553	1	Screw
92033	93-8561	1	Ring-Retaining
92144	93-8555	2	Spring-Return
92144A	93-8557	1	Spring



Label Set

<i>Ref.</i>	<i>Part Number</i>	<i>Qty.</i>	<i>Description</i>
56030	94-9027	1	Label-Recoil
56030A	93-8687	1	Decal-Choke
56031	93-8689	1	Decal-Instructions
56031A	93-8690	1	Decal-Maintenance
56038	94-9028	1	Label-Kawasaki
56070	93-8692	1	Decal-Warning

Attachments and Accessories

For 04030 Greensmaster Flex 18 Mower

Product Name	Model/Part
Light Kit.....	04061
Out Front Brush Kit.....	04119
Wheel Kit	04123
Cutting Unit.....	04206
Operator Presence Kit	112-9282

Notes:

Notes:

Notes:



Count on it.