



Count on it.

Parts Catalog

624 Power Shift® Snowthrower

Model No. 38510—Serial No. 9000001 and Up

Ordering Replacement Parts

To order replacement parts, please supply the part number, the quantity, and the description of each part desired.

Understanding Reference Numbers

Each identified part in an illustration has a reference number. The reference number for a part also appears in the parts list, along with other information about the part.

This catalog uses two special reference number formats, one to indicate parts in a service assembly and another to indicate the quantity of a given part in an illustration.

Service Assembly Reference Numbers

Parts in service assemblies have reference numbers in the form a:b. The a represents the reference number of the entire service assembly and the b represents a sequential number unique to each part within the service assembly.

For example, a wheel assembly might be identified by reference number 6, the tire by 6:1, the valve by 6:2, and the wheel by 6:3. When you order the assembly identified by reference number 6, you receive all parts identified by reference numbers 6:1, 6:2, and 6:3. However, you may also order any part individually. Reference numbers of this type appear in illustration and in parts lists.

Reference Numbers Indicating Quantity

In an illustration, if a reference number indicates more than one part, the reference number has the form nX y. The n represents the quantity of the part, the X is the multiplication symbol, and the y represents the reference number.

For example, in an illustration, the reference number 2X 37 means that two of the parts identified by reference number 37 are indicated.

List of Abbreviations

AR: as required

ASM: assembly

BBC: blade brake clutch

CARR: carriage

CCW: counter clock wise

CW: clockwise

DEG: degrees

ECM: electronic control module

EXT: external

FH: flat head

GA: gauge

HD: heavy-duty

HF: hex flange

HH: hex head

HHF: hex head flange

HHFTF: hex head flange thread forming

HJ: hex jam

HLH: hex lag head

HOC: height-of-cut

HSBH: hex socket button head

HSFH: hex socket flat head

HSH: hex socket head

HWH: hex washer head

HWHTF: hex washer head thread forming

HYD: hydraulic

LH: left hand

NI: nylon insert

NPTF: national pipe thread fine

PFH: phillips flat head

PPH: phillips pan head

PPHTF: phillips pan head thread forming

PRH: phillips round head

PTH: phillips truss head

PTO: power-take-off

RH: right hand

ROPS: roll-over protection system

RRB: rear roller brush

SFH: slotted fillister head

SHH: slotted hex head

SHWH: slotted hex washer head

SPH: slotted pan head

SQH: square head

SRH: slotted round head

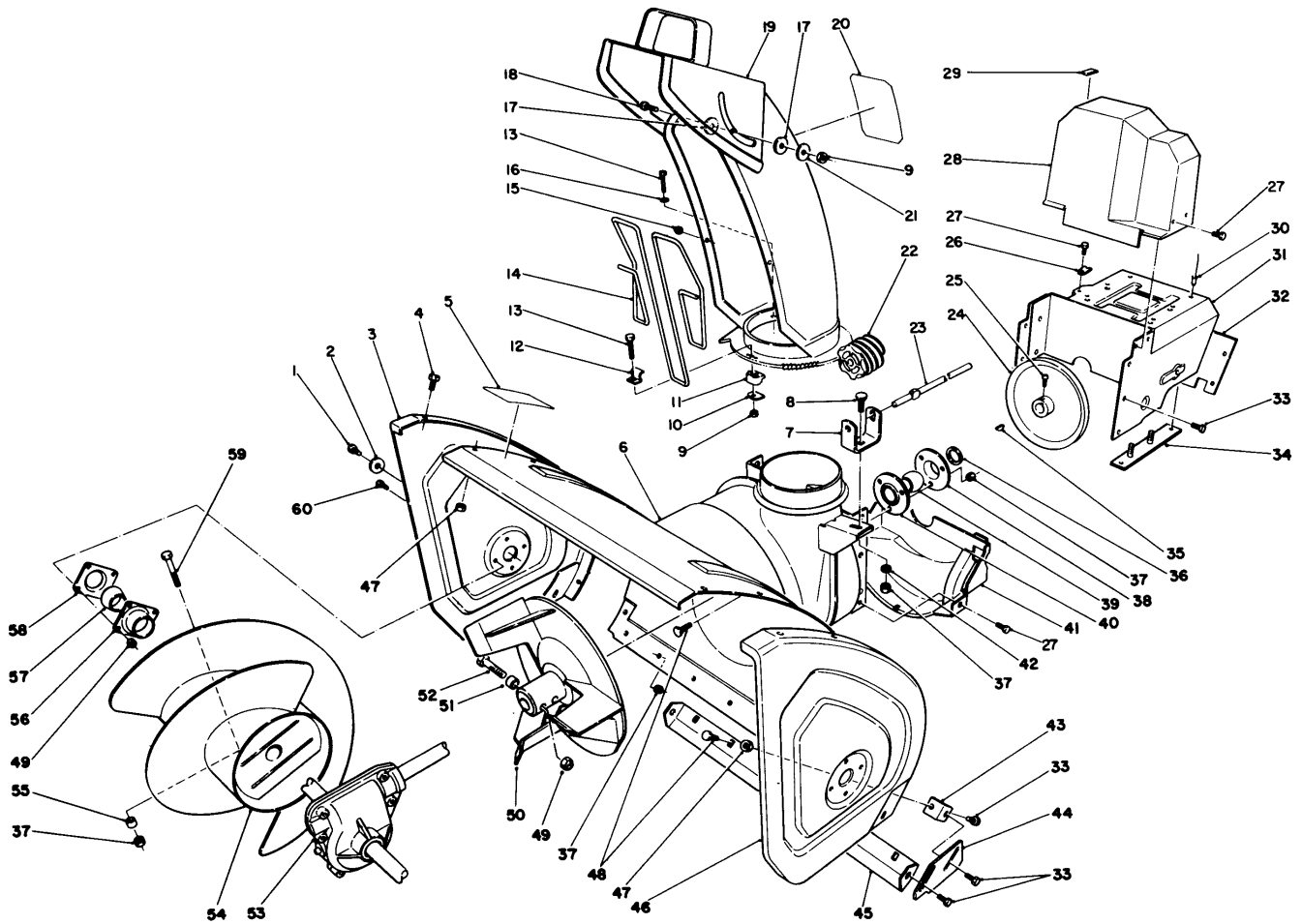
STD: standard

TAP: self tapping

TTH: torx truss head

Contents

Housing and Chute Assembly	4
24 Inch Gear Case Assembly	6
Engine Assembly	7
Transmission Assembly No. 66-8030	8
Traction Drive Assembly	10
Traction Linkage Assembly	11
Handle Assembly	12
Drift Breaker Assembly No. 66-7960 (optional)	14
Light Kit No. 66-7930 (optional)	15
Snow Cab Assembly No. 66-6200 (optional)	16
Electric Starter Motor Kit No. 38-7590 (optional)	17
Engine Tecumseh Model No. H60-75504w	18
Carburetor Tecumseh No. 632379	22
Rewind Starter Tecumseh No. 590604	23

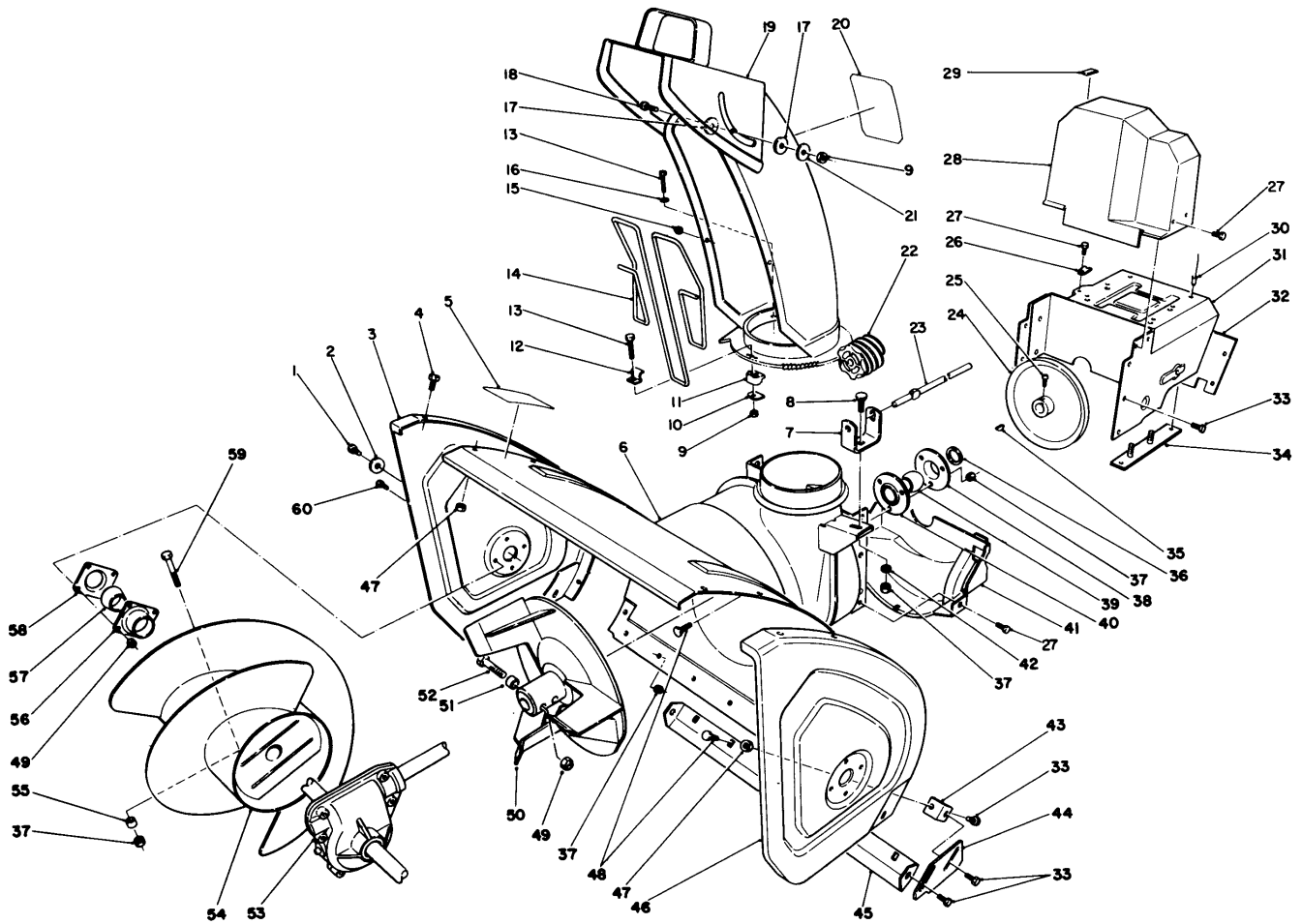


Housing and Chute Assembly

Ref.	Part Number	Qty.	Description	Ref.	Part Number	Qty.	Description
1	323-6	2	Screw-HH	26	63-2300	1	Retainer-Cable
2	3-0750	2	Washer	27	32144-4	6	Screw-HWH
3	66-7820	1	Plate-Side, RH	28	63-2080	1	Cover-Belt, Upper
4	3234-28	10	Screw-HHF	29	63-3290	1	Cover-Cable
5	53-7670	1	Decal-Warning, Auger	30	3269-23	4	Rivet-Pop
6	62-0720	1	Housing-24 Inch	31	66-7780	1	Frame-Engine
7	63-2180	1	Bracket-Worm, Chute	32	62-1440	1	Cover-Frame, Engine
8	3230-2	1	Bolt-CARR	33	3234-7	12	Screw-HHF
9	3296-2	4	Nut-Lock, NI	34	68-4070	1	LH Frame Plate ASM
10	63-2670	3	Plate-Retainer, Chute		68-4060	1	LH Frame Plate ASM
11	62-1430	3	Retainer-Chute	35	3257-23	1	Key-Woodruff
12	63-3130	1	Clip-Guard, Chute	36	252-80	1	Washer-Thrust
13	3274-13	3	Screw-HSH	37	3296-29	12	Nut-Lock, NI
14	63-3020	1	Guard-Chute	38		1	Flange-Bearing (Rear) ■
15	3290-326	2	Nut-Push	39	63-3450	1	Bearing-Ball
16	3256-14	1	Washer-Flat	40		1	Flange-Bearing (Front) ■
17	63-2900	2	Washer-Plastic	41	62-1400	1	Cover-Belt (Lower)
18	32122-32	1	Screw	42	3256-23	1	Washer-Flat
19	62-0840	1	Assembly	43	62-1240	2	Bracket-Skid
20	63-3740	1	Decal-Danger	44	62-0980	1	Plate-Skid LH
	53-7660	1	Decal-Danger		62-0990	1	Plate-Skid RH ●
21	3256-61	1	Washer-Flat	45	66-7762	1	Blade-Scraper
22	62-0820	1	Gear-Worm	46	66-7830	1	Plate-Side LH
23	62-1720	1	Rod-Chute, Lower	47	3296-47	12	Nut-Lock, NI
24	62-1300	1	Pulley-Impeller	48	3230-23	9	Screw-CARR
25	3242-4	2	Screw-Set, SQH	49	3296-42	10	Nut-Lock, NI

● Not illustrated

■ Not serviced separately

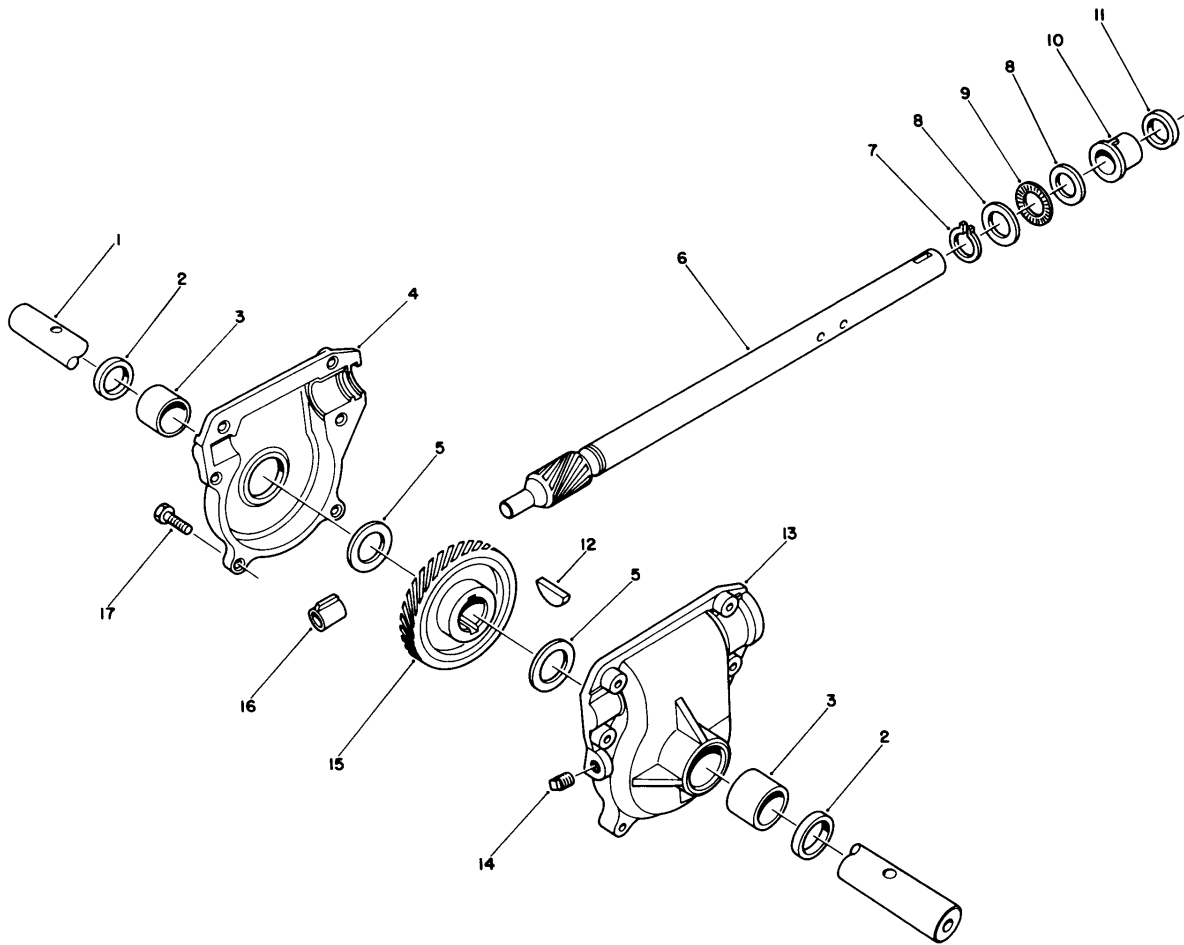


Housing and Chute Assembly (continued)

<i>Ref.</i>	<i>Part Number</i>	<i>Qty.</i>	<i>Description</i>	<i>Ref.</i>	<i>Part Number</i>	<i>Qty.</i>	<i>Description</i>
50	66-7910	1	Impeller	55	25-5090	2	Spacer-Hub, Auger
51	66-8010	2	Spacer-Hub, Impeller	56	20-0990	2	Bearing-Flange, Front
52	321-44	2	Screw-HHF	57	20-0980	2	Bearing
53	66-8020	1	Auger Gearbox ASM	58	20-1000	2	Bearing-Flange, Rear
54	63-2750	1	Auger-RH	59	17-7030	2	Auger Bolt
	63-2760	1	Auger-LH ●	60	321-3	8	Screw-HH
	68-7450	1	Auger-RH ●		12-8789	1	Impeller Bearing ASM (Incl. Ref. #38-40) ●
	68-7460	1	Washer ●				

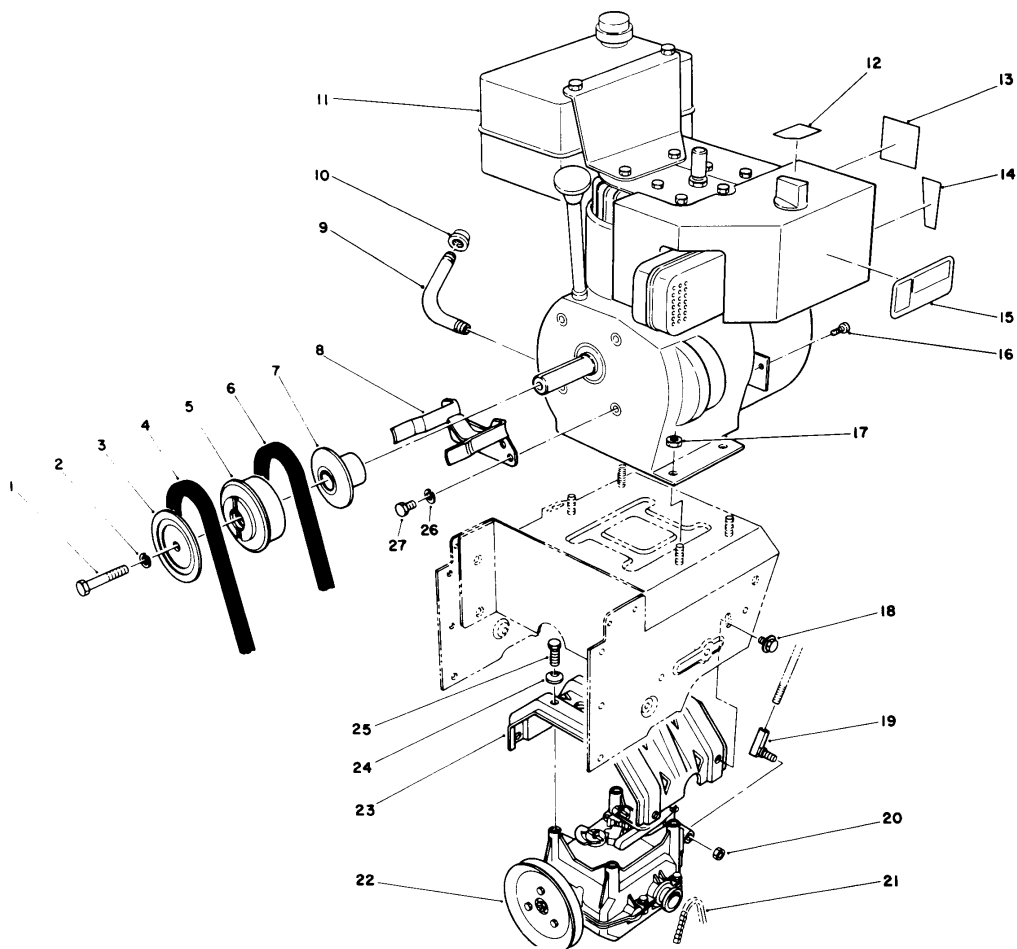
● Not illustrated

■ Not serviced separately



24 Inch Gear Case Assembly

<i>Ref.</i>	<i>Part Number</i>	<i>Qty.</i>	<i>Description</i>
1	62-1530	1	Shaft-Auger
2	7-0045	2	Seal-Oil
3	256-237	2	Bushing
4	62-0570	2	RH Gearcase ASM (Incl. Ref. # 2-3)
5	252-71	2	Washer-Thrust
6	66-7810	1	Shaft-Impeller
7	32151-33	1	Ring-Retaining, EXT
8	252-78	2	Washer-Thrust
9	252-76	1	Bearing-Thrust
10	37-6560	1	Bushing-Input
11	253-149	1	Seal-Oil
12	3257-10	1	Key-Woodruff
13	62-0580	1	LH Gearcase ASM (Incl. Ref. #2-3)
14	281-1	1	Plug-Pipe, SQH
15	62-0120	1	Gear-Helical
16	62-1150	1	Bushing-Worm
17	32144-86	6	Screw-HWHTF

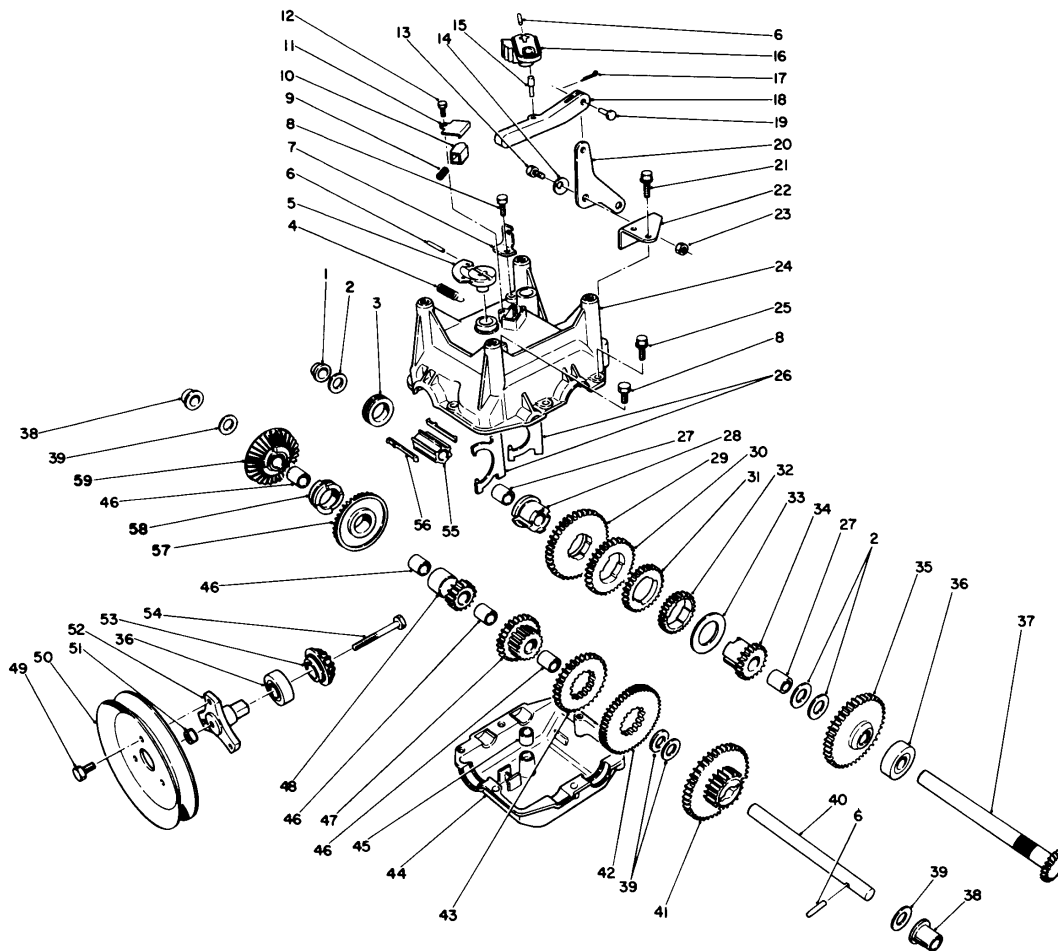


Engine Assembly

Ref.	Part Number	Qty.	Description	Ref.	Part Number	Qty.	Description
1	3211-9	1	Screw-HH	14	63-3190	1	Decal-Throttle
2	3253-21	1	Washer-Lock	15	62-7290	1	Decal-Hot
3	63-3320	1	Sheave Half-Impeller		63-2310	1	Decal-Hot Surface, Warning ●
4	63-2961	1	V-Belt	16	32144-4	1	Screw-HWH
5	63-3310	1	Center Engine Pulley	17	32128-20	4	Nut-HF
6	63-2951	1	V-Belt-Traction	18	3234-7	4	Screw-HHF
7	63-3300	1	Sheave-Traction Half	19	63-2640	1	Joint-Ball
8	68-7510	1	Guide-Belt	20	3296-17	1	Nut-Lock, NI
9	67-9290	1	Tube-Drain	21	63-2940	1	Chain
10	288-9	1	Cap-Pipe	22	66-8030	1	Traction Gearcase ASM
11		1	Engine-Tecumseh Model No. H60 Type No. 75504W ■	23	63-2990	1	Frame-Transmission
12	63-2420	1	Decal-Choke	24	3290-461	4	Washer-Spring
	63-2430	1	Decal-Choke, Int'l ●	25	11-0590	4	Screw-HWHTF
13	62-5760	1	Decal-Primer	26	3253-4	2	Washer-Lock
				27	3210-1	2	Screw-HH

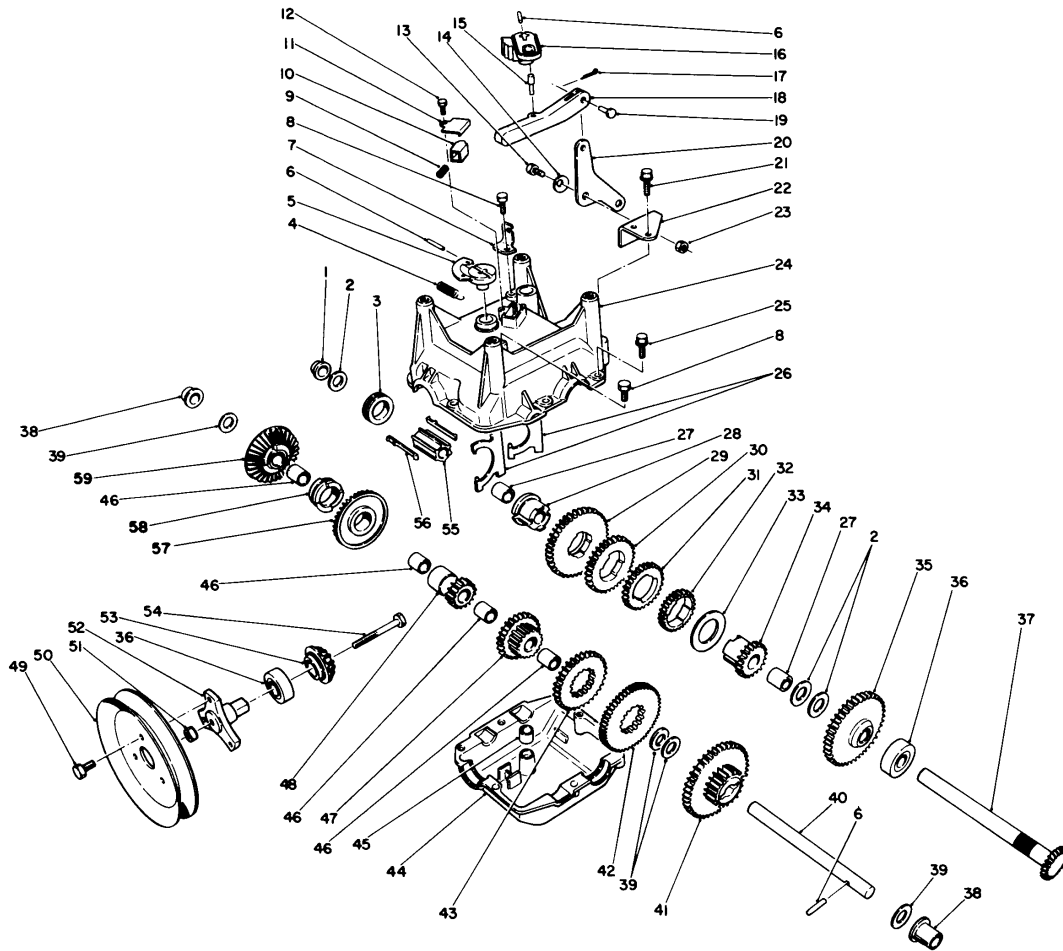
● Not illustrated

■ Not serviced separately



Transmission Assembly No. 66-8030

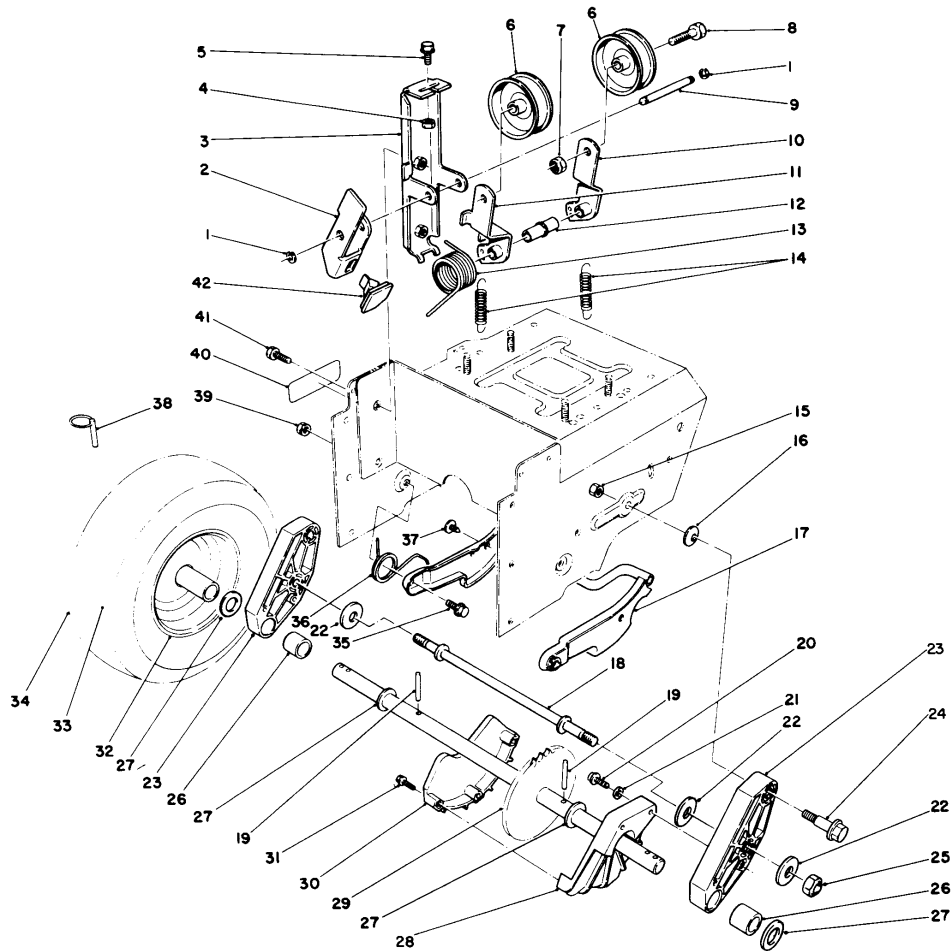
Ref.	Part Number	Qty.	Description	Ref.	Part Number	Qty.	Description
1	62-1180	1	Bushing-Flange, Output	29	62-0240	1	Gear-45 T
2	252-59	3	Bearing-Thrust	30	62-0220	1	Gear-34 T
3	62-0430	1	Collar-Shift	31	62-0200	1	Gear-27 T
4	63-2920	1	Spring-Extension	32	62-0250	1	Gear-29 T
5	62-0880	1	Lever	33	63-2280	1	Washer-Thrust
6	32121-106	3	Pin-Spring	34	62-0340	1	Gear-Sleeve, 19 T
7	62-1740	1	Bracket-Cable	35	62-0370	1	Gear-41 T
8	32144-4	2	Screw-HWH	36	38-7820	2	Bearing-Ball
9	63-2890	1	Spring-Detent	37	62-1080	1	Shaft-Output
10	62-1020	1	Button-Detent	38	62-1170	2	Bushing-Intermediate
11	62-1690	1	Cover-Detent	39	257-10	4	Washer-Thrust
12	32104-71	1	Screw-HWH	40	62-0330	1	Shaft-Intermediate
13	63-3410	1	Screw-Shoulder	41	62-0360	1	Gear-19/41 T
14	3290-477	1	Washer-Curved	42	62-0260	1	Gear-51 T
15	63-2190	1	Pin-Link, Gear Shift	43	62-0210	1	Gear-33 T
16	62-0870	1	Lever-Shift, Gear	44	62-0480	1	Gearcase-Lower, Casing
17	3272-1	1	Pin-Cotter	45	29-9570	1	Bushing-Yoke
18	62-0860	1	Link-Shift, Gear	46	62-1160	4	Bushing-Output
19	283-3	1	Pin-Clevis	47	68-4310	1	Gear-26 T
20	63-2600	1	Bellcrank	48	62-0500	1	Gear-Bevel, 15 T
21	32104-95	2	Screw-HWH	49	12-3270	3	Screw
22	62-1190	1	Bracket-Bellcrank	50	62-1310	1	Traction-Sheave, Half
23	3296-42	1	Nut-Lock, NI	51	32128-32	1	Nut-HHF
24	62-0490	1	Gearcase-Upper, Casing	52	62-0380	1	Hub-Pulley
25	32144-86	6	Screw-HWHTF	53	62-0350	1	Pinion-Bevel
26	62-1040	2	Yoke-Shift	54	321-15	1	Screw-HH
27	62-1350	2	Bushing-Output	55	68-4320	1	Sleeve-Shift
28	62-0320	1	Sleeve-Gear	56	62-0310	2	Key-Shift



Transmission Assembly No. 66-8030 (continued)

<i>Ref.</i>	<i>Part Number</i>	<i>Qty.</i>	<i>Description</i>
57	67-5870	1	Gear-Bevel, 36 T

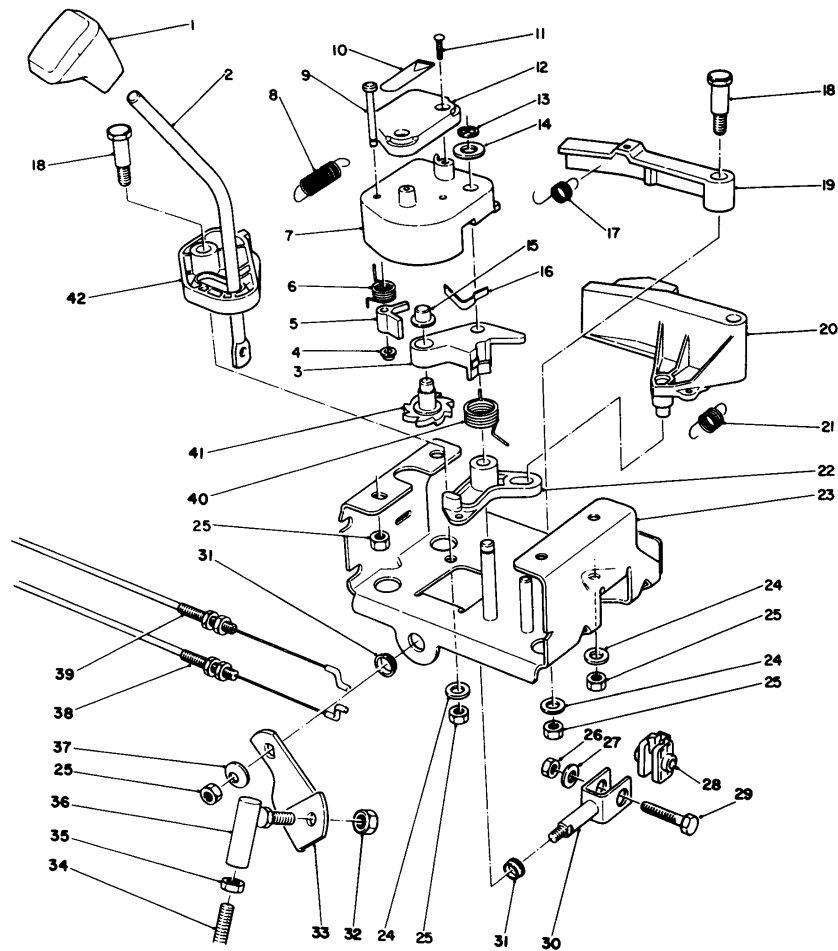
<i>Ref.</i>	<i>Part Number</i>	<i>Qty.</i>	<i>Description</i>
58	67-5880	1	Collar-Shift
59	67-5860	1	Gear-Bevel, Rev, 36 T



Traction Drive Assembly

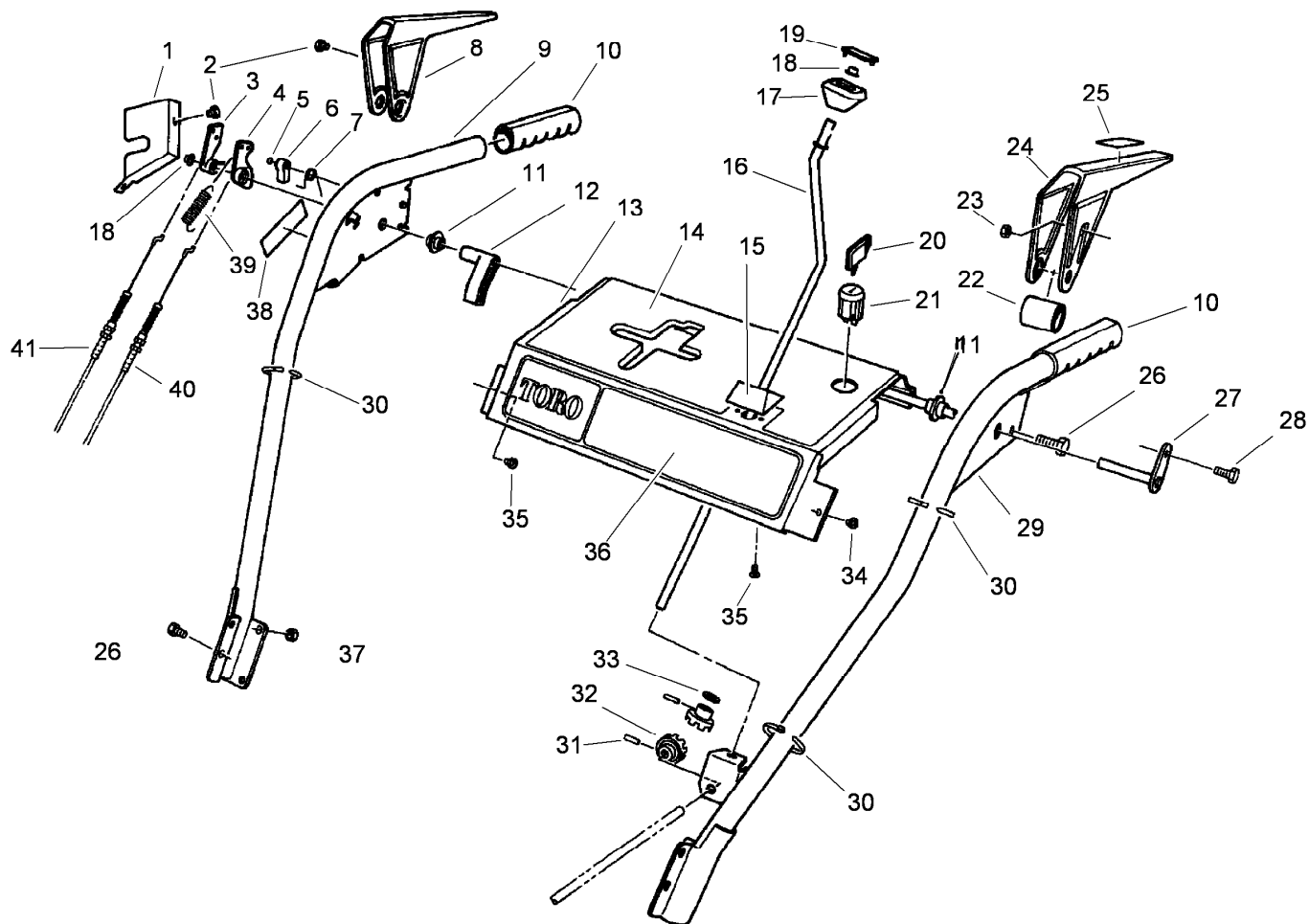
Ref.	Part Number	Qty.	Description	Ref.	Part Number	Qty.	Description
1	32120-46	2	Ring-Retaining	24	62-1330	2	Bolt-Shoulder
2	63-2810	1	Arm-Brake	25	3296-23	2	Nut-Lock, NI
3	63-2850	1	Idler Arm Bracket ASM	26	63-2250	2	Bushing-Axle
4	3296-42	1	Nut-Lock, NI	27	252-80	4	Washer-Thrust
5	3234-13	1	Screw-HHF	28	62-1010	1	Guard-Chain, LH
6	3-4244	2	Pulley-Idler	29	63-2111	1	Axle ASM
7	3296-59	2	Nut-Lock, NI	30	62-1000	1	Guard-Chain, RH
8	323-7	2	Screw-HH	31	32104-118	3	Screw-PPH
9	62-0970	1	Pin-Idler	32	241-128	2	Wheel
10	62-1260	1	Arm-Idler, Traction	33	232-46	2	Tube
11	62-1280	1	Arm-Idler, Impeller	34	231-120	2	Tire
12	62-1210	1	Bushing-Idler	35	5-2490	2	Screw-Shoulder
13	63-2880	1	Spring-Torsion	36	63-2740	1	Spring-Latch, Torsion
14	63-2870	2	Spring-Extension	37	3290-476	1	Fastener-Panel
15	3296-39	2	Nut-Lock, NI	38	3290-243	2	Pin-Lynch
16	3290-461	2	Washer-Spring	39	3296-47	2	Nut-Lock, NI
17	62-0470	1	Latch-Arm	40	63-3460	1	Decal-Warning
18	66-7720	1	Rod-Latch		63-3470	1	Decal-Warning ●
19	32121-9	2	Pin-Roll, Slotted	41	3234-7	2	Screw-HHF
20	32144-4	2	Screw-HWH	42	66-8060	1	Pad-Brake
21	3256-1	2	Washer-Flat		67-9220	1	Wheel And Tire ASM (Incl. Ref. #32-34) ●
22	63-3340	4	Washer-Support		56-2700	1	Chains-Tire ●
23	66-7740	2	Pivot Arm ASM (Incl. Ref. #26)				

● Not illustrated



Traction Linkage Assembly

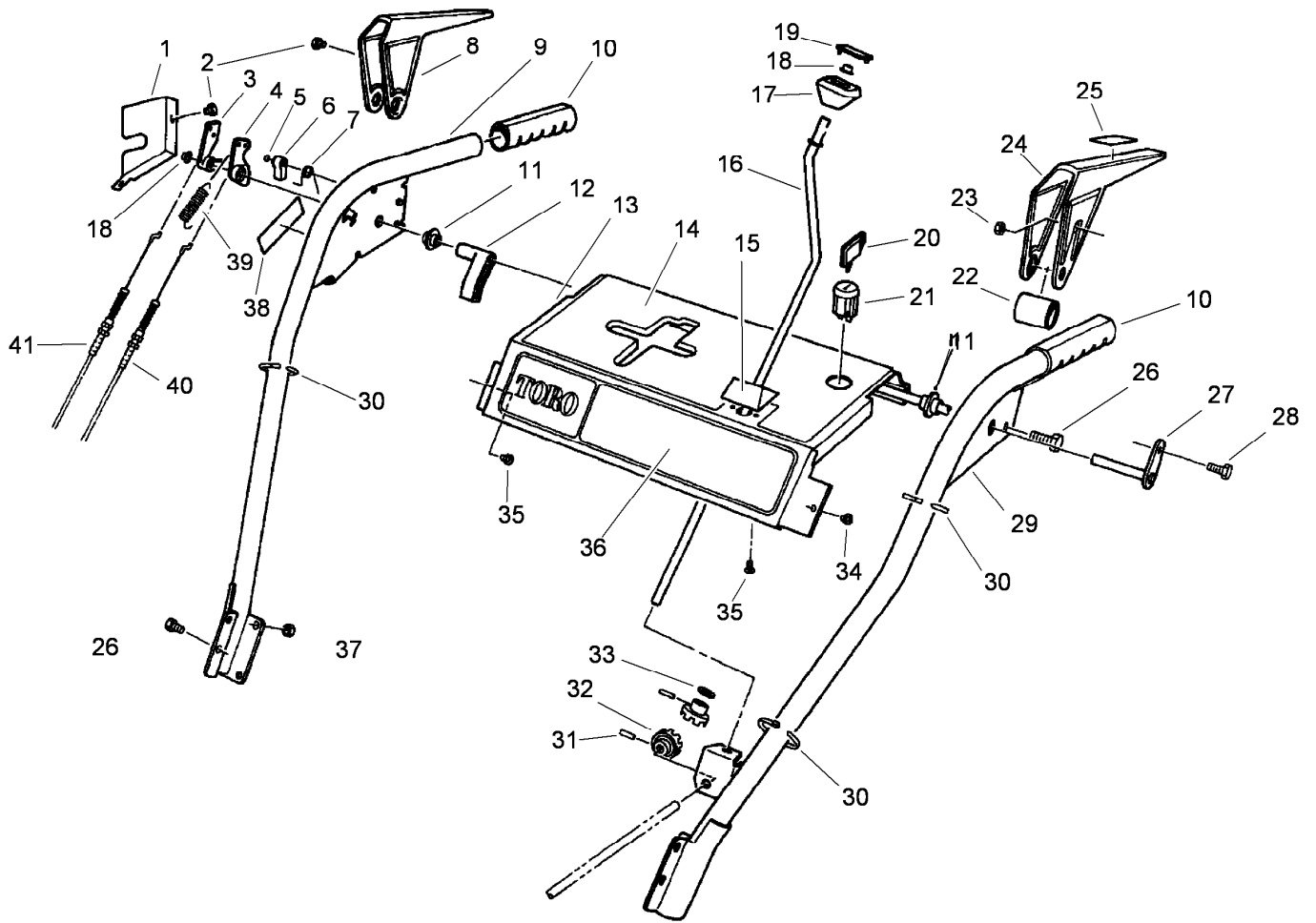
<i>Ref.</i>	<i>Part Number</i>	<i>Qty.</i>	<i>Description</i>	<i>Ref.</i>	<i>Part Number</i>	<i>Qty.</i>	<i>Description</i>
1	62-1290	1	Knob-Shift	22	62-1120	1	Lever-Reverse, Switch
2	67-9240	1	Rod-Shift	23	63-2150	1	Frame-Control
3	62-1110	1	Lever-Wheel, Index	24	3256-23	3	Washer-Flat
4	3290-422	1	Nut-Push	25	3296-29	7	Nut-Lock, NI
5	62-0180	1	Tang-Index	26	3296-42	1	Nut-Lock, NI
6	62-1650	1	Spring-Torsion	27	3256-1	1	Washer-Flat
7	62-1100	1	Latch-Lever	28	67-9250	1	Retainer-Rod, Shift
8	63-2220	1	Spring-Extension	29	321-43	1	Capscrew
9	63-2610	1	Pin-Tang	30	66-7730	1	Clevis ASM
10	63-2480	1	Decal	31	256-296	2	Bushing
11	32104-118	2	Screw-PPH	32	3296-17	1	Nut-Lock, NI
12	62-1140	1	Cover-Latch	33	63-2630	1	Bracket-Shift
13	32120-46	1	Ring-Retaining	34	63-2830	1	Rod-Bent Shift, Lower
14	257-9	1	Washer-Thrust	35	3220-3	2	Nut-HJ
15	3290-320	1	Retainer-Push On	36	63-2640	1	Joint-Ball
16	62-1710	1	Spring-Flat	37	3290-456	1	Washer-Belleville
17	63-2240	1	Spring-Extension	38	63-2210	1	Cable-Gearbox
18	63-2650	2	Screw-Shoulder	39	63-2200	1	Cable-Arm, Latch
19	62-1700	1	Lever-Lockout	40	63-2270	1	Spring-Torsion
20	62-1130	1	Lever-Reverse	41	62-0170	1	Wheel-Index
21	63-2230	1	Spring-Extension	42	62-1470	1	Base-Lockout



Handle Assembly

Ref.	Part Number	Qty.	Description	Ref.	Part Number	Qty.	Description
1	63-2170	1	Cover Lever Lock	19	62-1520	1	Cover-Knob
2	2210-250	3	Screw-HH	20	62-7770	1	Key-Ignition
3	62-0300	1	Tang-Locking	21	40-5940	1	Switch
4	62-0290	1	Cam-Release	22	3296-2	1	Nut-Lock, NI
5	32151-66	1	E-Ring-Retainer	23	62-1060	1	Lever-Traction
6	62-0280	1	Latch-Locking	24	63-3380	1	Spacer-Lever, Traction
7	63-2910	1	Spring-Torsion	25	63-3050	1	Decal-Lever
8	62-1050	1	Lever-Impeller	26	3234-7	6	Screw-HHF
9	62-1380	1	Handle-RH	27	63-2030	1	Cross Rod ASM
10	66-7850	2	Grip-Handle	28	3290-359	1	Screw-HWH
11	62-1070	2	Bushing-Lever	29	66-8090	1	Handle-LH
12	62-1640	1	Lever-Trip	30	3290-378	3	Tie-Cable
13	66-8100	1	Panel-Control	31	32121-50	2	Pin-Spring
14	63-2540	1	Decal-Panel, Top	32	62-1460	2	Gear-Universal
	63-2550	1	Decal-Panel, Top ●	33	62-1230	1	Washer-Rubber
15	62-1490	1	Plate-Guide	34	32104-76	2	Screw
16	63-2160	1	Crank-Rod, Chute	35	32104-118	2	Screw-PPH
17	62-1320	1	Knob-Control, Chute	36	63-2500	1	Decal-Front Panel
18	3290-320	2	Retainer-Push On	37	3296-47	4	Nut-Lock, NI

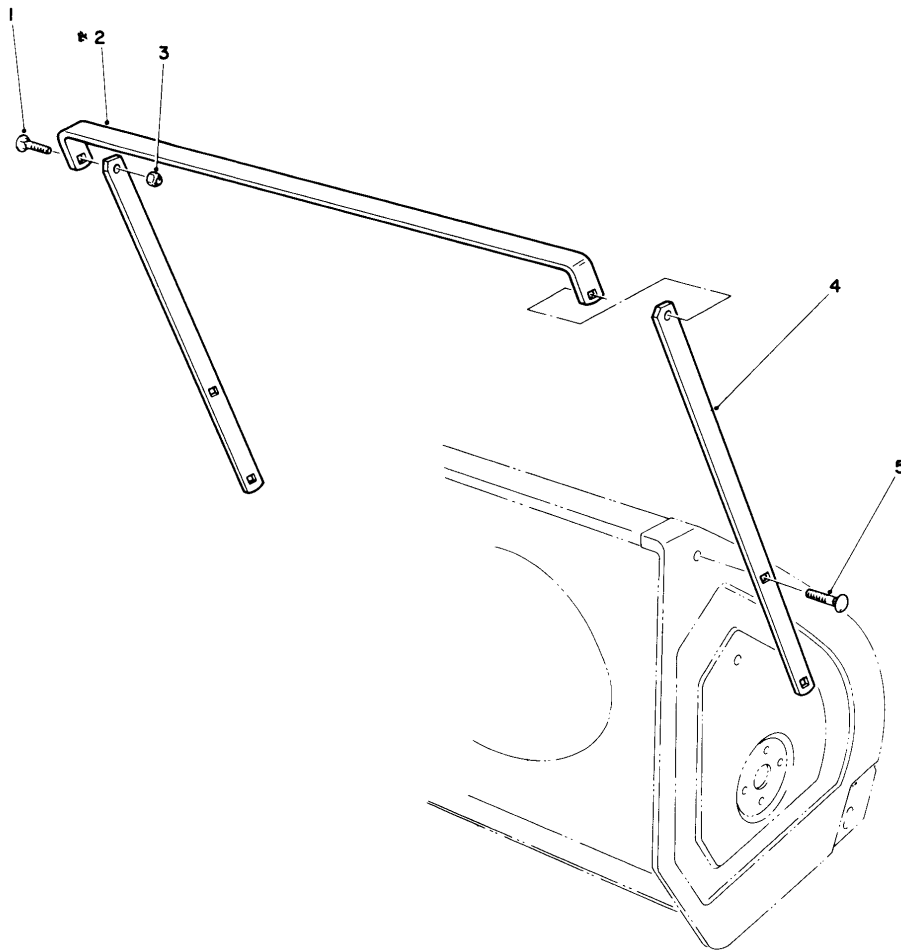
● Not illustrated



Handle Assembly (continued)

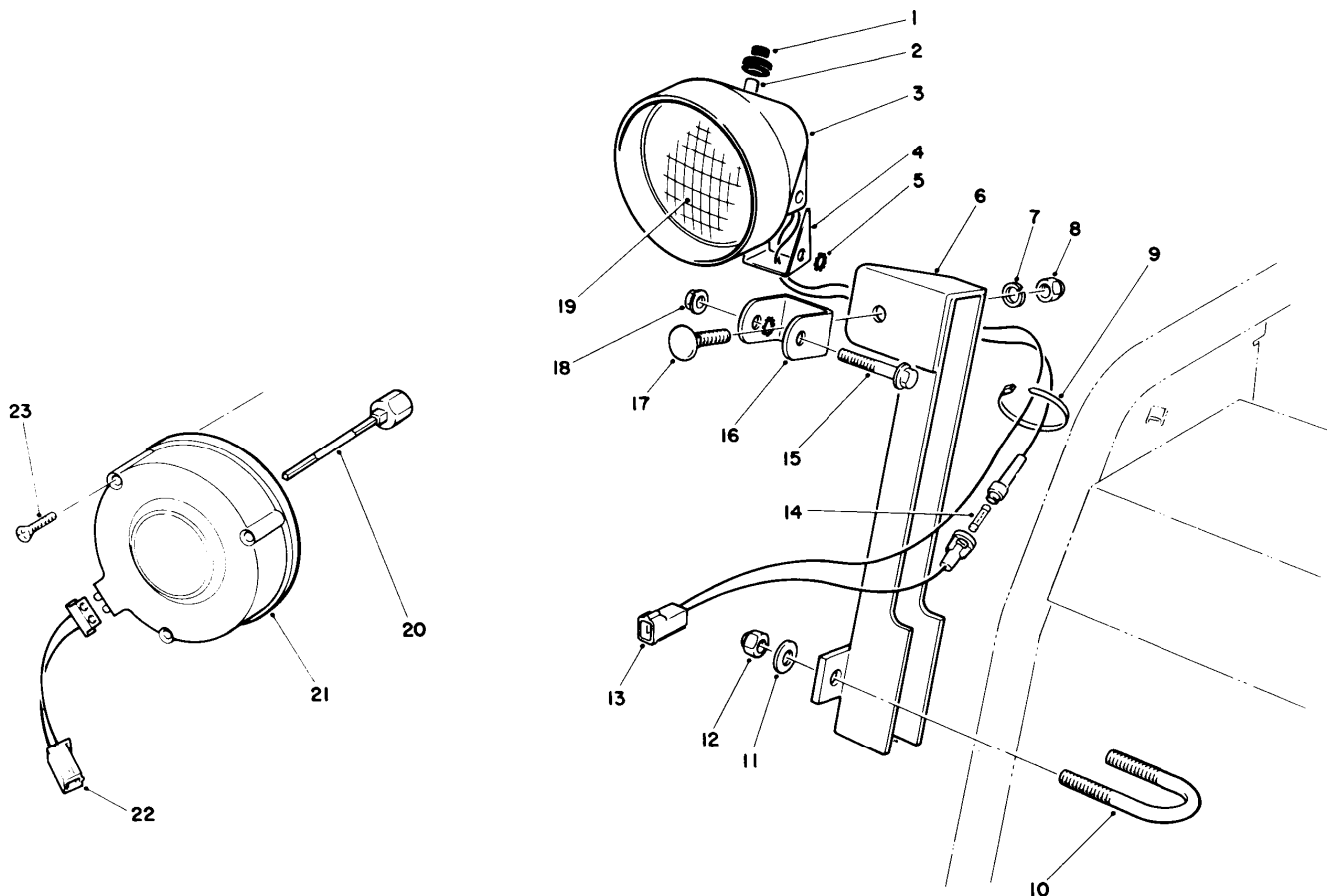
<i>Ref.</i>	<i>Part Number</i>	<i>Qty.</i>	<i>Description</i>	<i>Ref.</i>	<i>Part Number</i>	<i>Qty.</i>	<i>Description</i>
38	63-3460	1	Decal-Warning	40	63-2710	1	Cable-Traction
	63-3470	1	Decal-Warning ●	41	63-2700	1	Cable-Impeller
39	63-2720	1	Spring-Extension		63-3420	1	Harness-Wiring ●

● Not illustrated



Drift Breaker Assembly No. 66-7960 (optional)

<i>Ref.</i>	<i>Part Number</i>	<i>Qty.</i>	<i>Description</i>
1	3230-16	2	Screw-CARR
2	68-7180	1	Breaker-Top, 24 Inch
3	3296-29	6	Nut-Lock, NI
4	68-7170	2	Breaker-Side
5	3230-1	4	Bolt-CARR

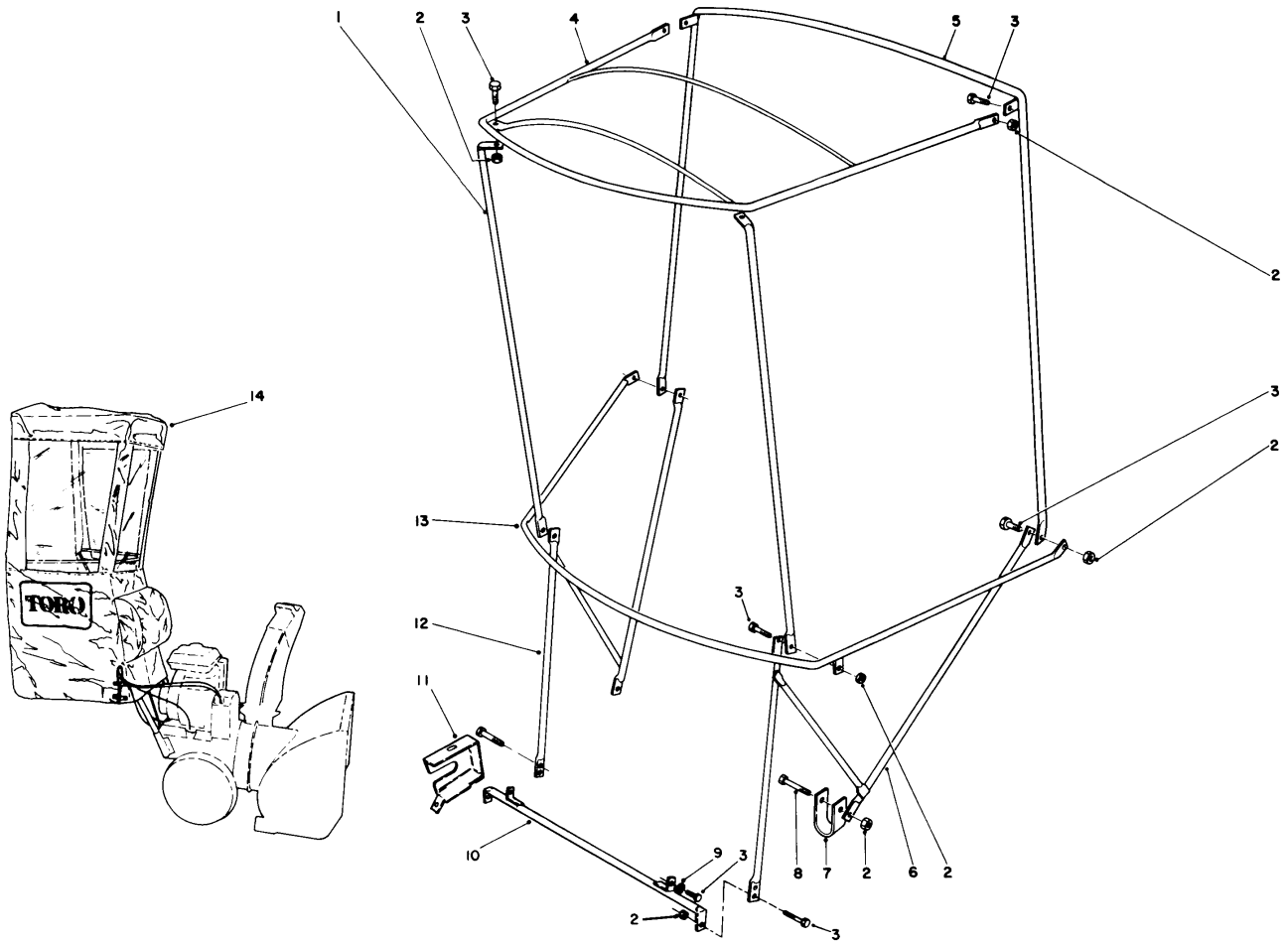


Light Kit No. 66-7930 (optional)

Ref.	Part Number	Qty.	Description	Ref.	Part Number	Qty.	Description
1	218-473	1	Boot-Switch	15	322-13	1	Screw-HH
2	218-553	1	Switch ASM	16	218-556	1	Bracket
3	218-552	1	Bucket-Headlamp	17	3231-2	1	Screw-CARR
4	218-554	1	To Be Discontinued-Not Needed On Product	18	32128-35	1	Nut-HF
5	3255-8	2	Washer-Lock	19	218-16	1	Beam-Sealed
6	68-7110	1	Mount-Lamp	20	2210-268	1	Shaft-Alternator, 3 Inch
7	3253-21	1	Washer-Lock		2210-269	1	Shaft-Alternator, 4 Inch ●
8	3217-7	1	Nut-Hex	21	2210-274	1	Alternator
9	3290-378	2	Tie-Cable	22	2210-272	1	Connector-Wire
10	68-7140	1	U-Bolt	23	2210-273	3	Self TAP Screw
11	3256-23	2	Washer-Flat		2210-270	1	Tube-Centering ●
12	3296-29	2	Nut-Lock, NI		2210-271	1	Tube-Centering, 4 Inch ●
13	218-555	1	Wire ASM		54-9871	1	Headlamp ASM (Incl. Ref. #1-5, 7, 8 & 13-19) ●
14		1	Fuse-7-1/2 Amp. ■				

● Not illustrated

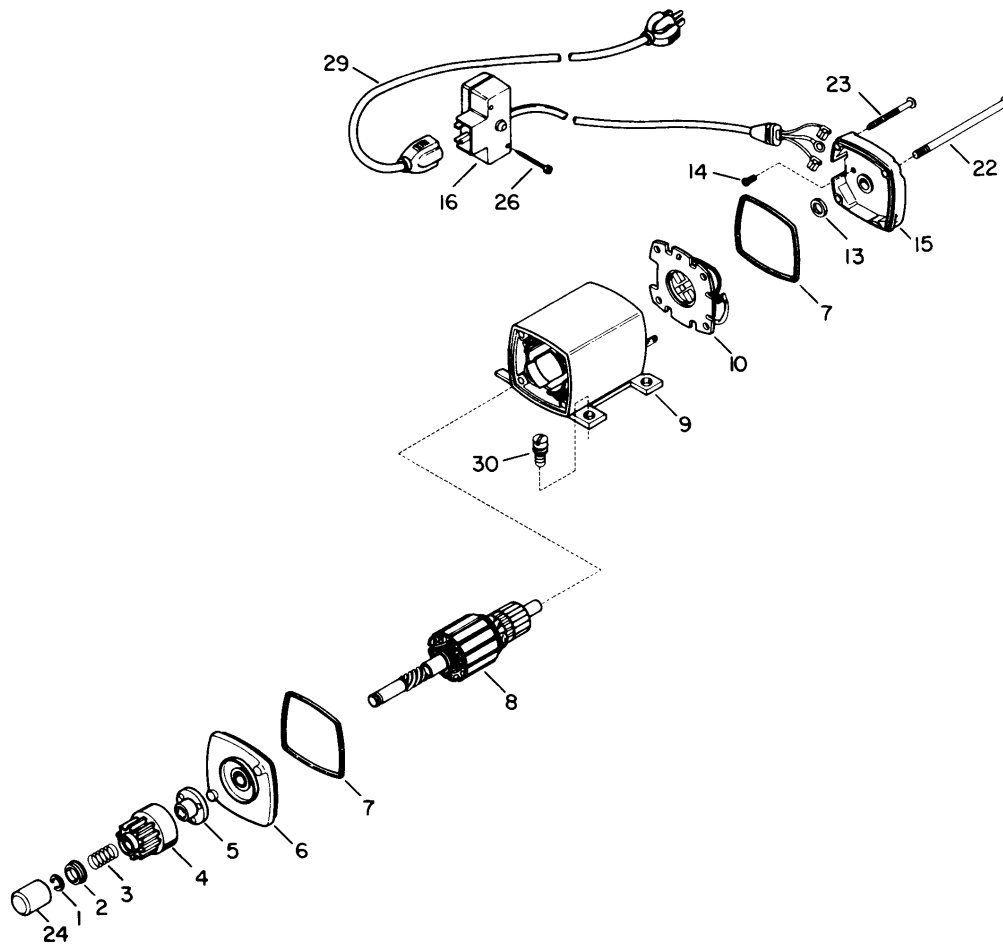
■ Not serviced separately



Snow Cab Assembly No. 66-6200 (optional)

<i>Ref.</i>	<i>Part Number</i>	<i>Qty.</i>	<i>Description</i>
1	12-8040	2	Post
2	32153-4	14	Nut-Hex, Side Deform
3	321-4	12	Screw-HH
4	12-8010	1	Frame-Top
5	12-8030	1	Bow-Vertical, Rear
6	66-6230	1	Bracket-LH
7	66-6240	2	Clamp
8	321-11	2	Screw-HH
9	3256-58	2	Washer-Flat
10	66-6210	1	Bracket-Base
11	63-3330	1	Cover-Lock, Lever
12	66-6220	1	Bracket-RH
13	12-8020	1	Bow-Curved
14		1	Cover-Vinyl ●

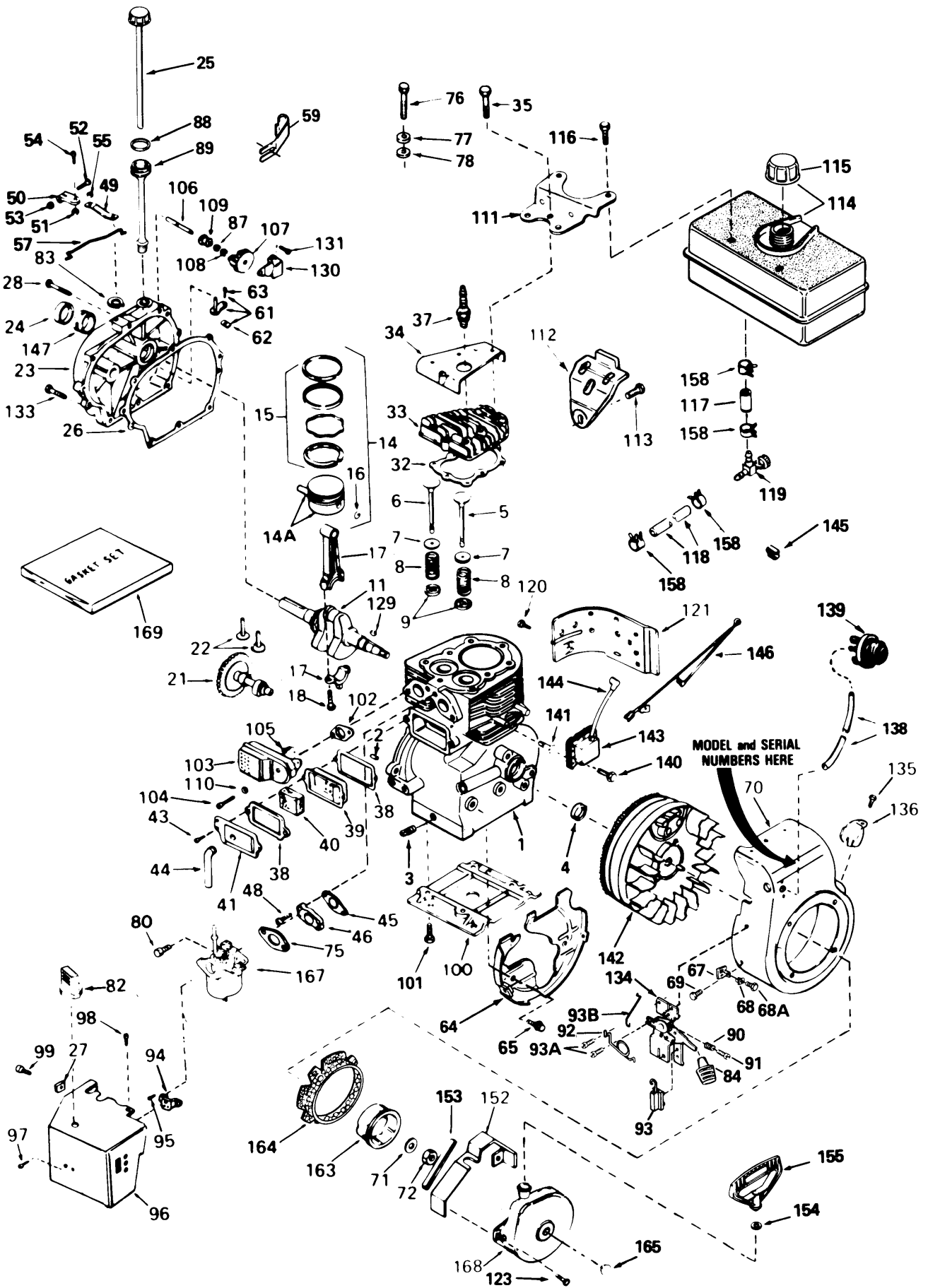
● Not serviced separately



Electric Starter Motor Kit No. 38-7590 (optional)

Ref.	Part Number	Qty.	Description
1	33842	1	Ring-Retainer
2	33430	1	Retainer-Spring
3	33431	1	Spring-Anti Drift
4	33432	1	Gear
5	33433	1	Nut-Engaging
6	35449	1	Drive End Cap ASM (Incl. Ref. #7)
7	35450	2	O-Ring
8	33436A	1	Armature
9	35457	1	Housing ASM
10	35452	1	Card ASM
13	590500	1	Washer-Thrust
14	33441	1	Screw-Ground
15	35453	1	Commutator End Cap ASM (Incl. Ref. #7)
16	35454	1	Switch Box ASM
22	35455	2	Bolt-Case
23	35456	1	Screw-Ground
24	33451	1	Cover-Dust
26	650819	2	Screw
29	32450A	1	Cord-Extension
30	30063	2	Screw

Engine Tecumseh Model No. H60-75504w

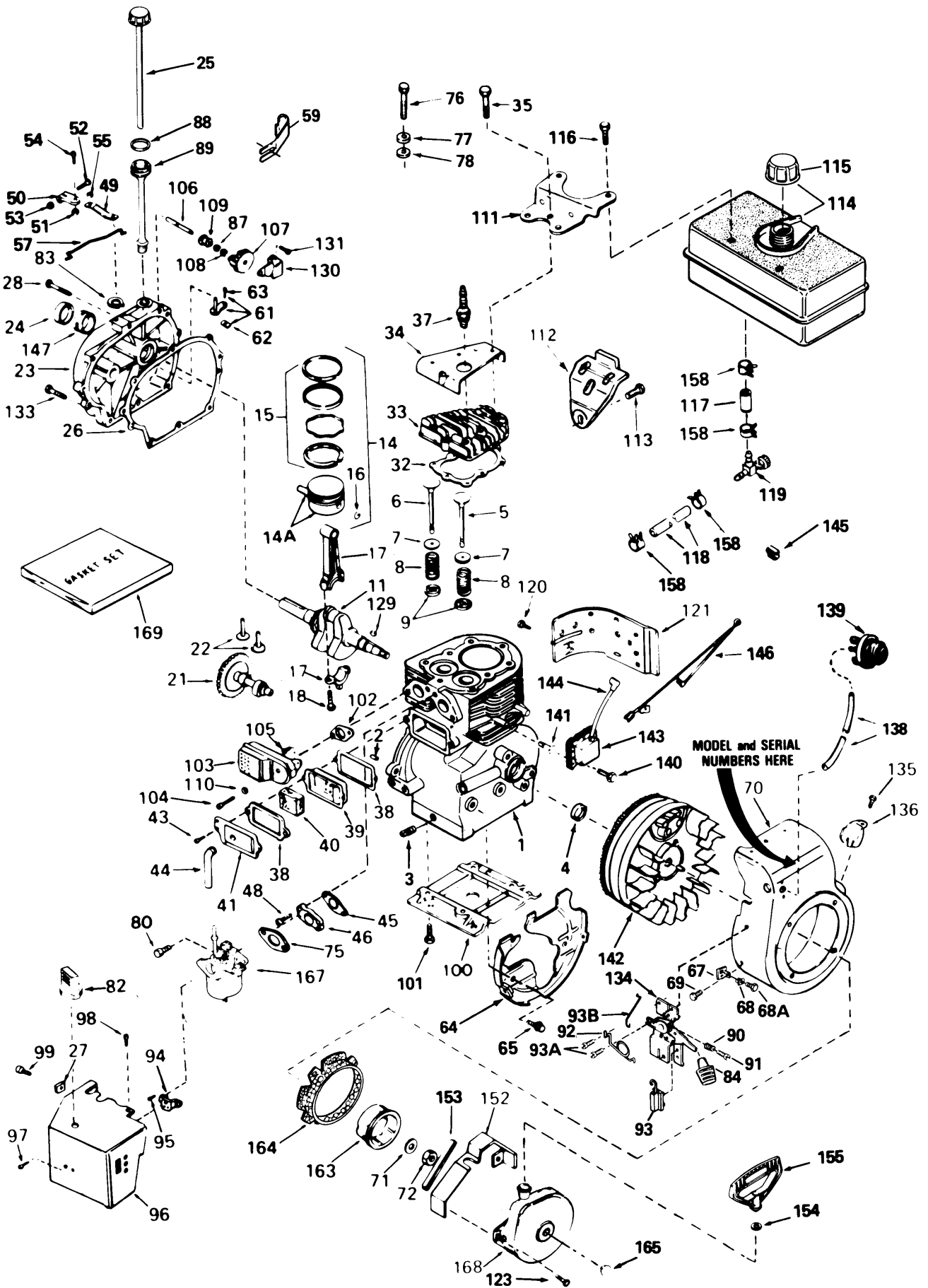


Engine Tecumseh Model No. H60-75504w (continued)

Ref.	Part Number	Qty.	Description	Ref.	Part Number	Qty.	Description
1	34919A	1	Cylinder (Incl. Ref. #2-4)	44	35350	1	Tube-Breather
2	27652	2	Pin-Dowel	45	27915	1	Gasket-Intake
3	27642	1	Plug-Drain, Oil (SQH 1/4-18)	46	34712	1	Flange-Carburetor (Incl. Ref. #80)
4	32630	1	Oil Seal	48	30196	2	Screw
5	32783	1	Valve-Intake (Std.)(Incl. Ref. #9)	49	33454	1	Lever-Governor
	32784	1	Valve-Intake (.03" Os.)(Incl. Ref. #9) ●	50	29916	1	Clamp-Lever, Governor
6	27878A	1	Valve-Exhaust (Std.)(Incl. Ref. #9)	51	30322	1	Nut-Lock
	27880A	1	Valve-Exhaust (.03" Os.)(Incl. Ref. #9) ●	52	29826	1	Screw
7	27882	1	Cap-Spring, Valve	53	29216	1	Nut-Lock
8	27881	2	Spring-Valve	54	650548	1	Screw
9	32581	2	Keeper-Spring, Valve	55	29918	1	Washer-Lock
11	35562	1	Crankshaft	57	34661	1	Governor Link
14	34531	1	Piston Pin And Ring ASM (Std.)(Incl. Ref. #14A-16)	59	35540	1	Clip-Tube, Fill
	34532	1	Piston Pin And Ring ASM (.01" Os.)(Incl. Ref. #14A-16) ●	61	30699C	1	Governor Rod ASM (Incl. Ref. #62-63)
	34533	1	Piston Pin And Ring ASM (.02" Os.)(Incl. Ref. #14A-16) ●	62	30700	1	Yoke-Governor
14A	33312B	1	Piston And Pin ASM (Std.)(Incl. Ref. #16)	63	650494	1	Screw (6-40X5/16)
	33313B	1	Piston And Pin ASM (.01" Os.)(Incl. Ref. #16) ●	64	35326	1	Baffle-Blower Housing
	33314B	1	Piston And Pin ASM (.02" Os.)(Incl. Ref. #16) ●	65	650561	2	Screw (1/4-20X19/32)
15	34854	1	Ring Set (Std.)	67	34126	1	Bracket
	34855	1	Ring Set (.020" Os) ●	68	28545	1	Grommet
	34856	1	Ring Set (.010" Os) ●	68A	650760	1	Screw (8-32 X 3/8)
16	27888	2	Ring-Retaining, Piston Pin	69	29747B	2	Screw
17	31380C	1	Connecting Rod ASM (Incl. Ref. #18)	70	35260	1	Blower Housing ASM (Incl. Ref #135-136)
18	650662C	2	Bolt-Connecting Rod	71	650815	1	Washer-Belleville
21	32115	1	55012A Gil Snwthwr	72	650871	1	Flywheel Nut
22	34034	2	Lifter-Valve	75	31688	1	Gasket-Carburetor
23	31303B	1	Cylinder Cover ASM (Incl. Ref. #24, 106 & 147)	76	650697A	1	Screw (5/16-18 X 2-1/2)
24	28427	1	Oil Seal	77	650690	1	Washer-Belleville
25	35555	1	Dipstick	78	650691	1	Washer-Flat
26	30684	1	Gasket-Cover, Cylinder	80	650517	2	Screw (T-30, 1/4-20 X 27-32)
27	650764	1	Nut-U Type	82	35439	1	Knob-Choke
28	650488	7	Screw (1/4-20 X 1-1/4)	83	29642	1	Ring-Retaining
32	28938B	1	Gasket-Head, Cylinder	84	35440	1	Knob-Control
33	30938A	1	Head-Cylinder (Incl. 3 Ref. #35)	87	30590A	1	Washer-Flat
34	30939A	1	Cover-Head, Cylinder	88	35499	1	O-Ring
35	650697A	8	Screw (5/16-18 X 2-1/2)	89	35554	1	Tube-Fill, Oil
37	35395	1	Spark Plug-Resistor (R J19 L M)	90	31342	1	Spring-Compression
38	27896	2	Gasket-Breather	91	650549	1	Screw
39	28423	1	Body-Breather	92	34663	1	Spring-Throttle
40	28424	1	Element-Breather	93	610973	1	Terminal
41	28425	1	Cover-Valve	93A	650821	2	Screw (10-32 X 1/2)
43	650128	2	Screw	93B	34662	1	Link-Throttle
				94	32398	1	Bracket-Choke
				95	28820	2	Screw (10-32 X 1/2)
				96	35060	1	Carburetor Cover
				97	650257	2	Screw (8-32 X 5/16)
				98	650765	1	Screw (10-32X1/2)
				99	650760	1	Screw (8-32 X 3/8)
				100	29538	1	Base Engine
				101	650542	4	Screw
				102	27930	1	Gasket Exhaust
				103	32401	1	Muffler
				104	650694A	1	Screw (5/16-18 X 2)
				105	30196	1	Screw

● Not illustrated

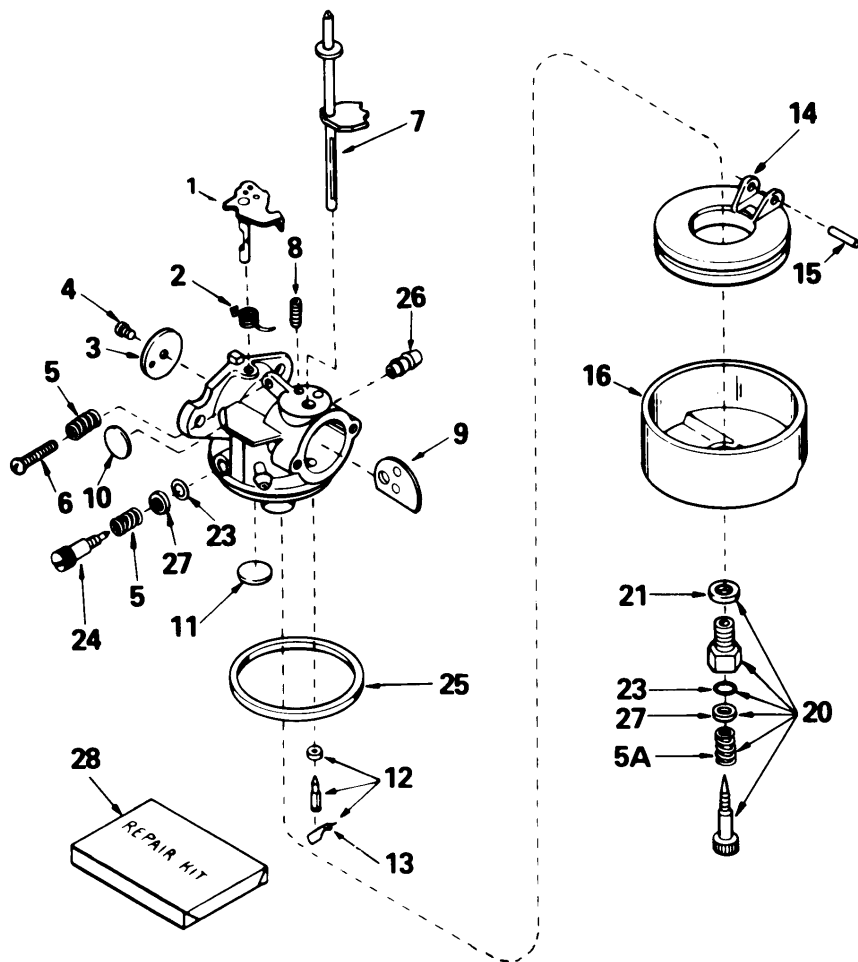
Engine Tecumseh Model No. H60-75504w (continued)



Engine Tecumseh Model No. H60-75504w (continued)

<i>Ref.</i>	<i>Part Number</i>	<i>Qty.</i>	<i>Description</i>	<i>Ref.</i>	<i>Part Number</i>	<i>Qty.</i>	<i>Description</i>
115	35355	1	Cap-Fuel	141	650872	2	Stud
116	650665	2	Screw (1/4-15X7/8)	142	611085	1	Flywheel
117	30962	1	Line-Fuel	143	34443A	1	Solid State
118	29774	1	Line-Fuel (8.62)	144	610118	1	Cover-Spark Plug
119	32961	1	Valve-Shut Off	145	29443	1	Clip-Wire
120	650128	1	Screw	146	35253	1	Ground Wire
121	30622A	1	Extension-Blower Hsng.	147	31546	1	Bushing-Crankshaft
123	29716	4	Screw	152	34127	1	Guard-Starter
129	32589	1	Key-Flywheel	153	32576	1	Seal, Snowguard
130	31843A	1	Bracket, Governor	154	650168	1	Washer
131	650836	4	Screw (10-24X1/2)	155	590574	1	Handle-Starter, Mitten Grip
133	650493	1	Screw	158	26460	4	Clamp-Line, Fuel
134	34677	1	Remote Speed Control ASM (Incl. Ref. #90-93)	163	32125	1	Cup-Starter
135	650760	1	Screw (8-32 X 3/8)	164	35354	1	Screen-Starter
136	33013	1	Screw	165	35392	1	Plug Starter
138	32180C	1	Line-Primer	167	632379	1	Carburetor ASM (Incl. Ref. #75)
139	570682	1	Primer-Asm	168	590604	1	Starter-Rewind
140	650814	2	Screw	169	33235	1	Gasket Set

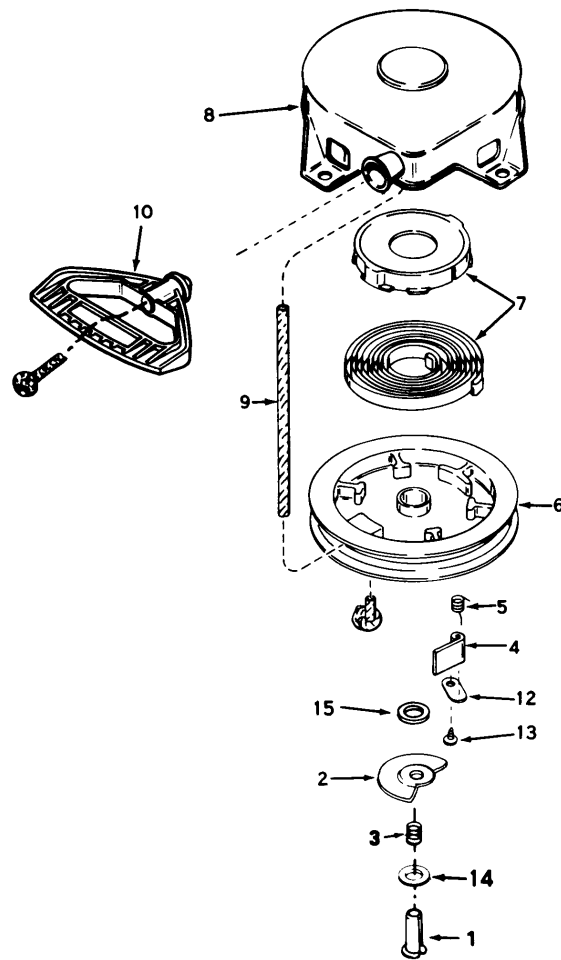
● Not illustrated



Carburetor Tecumseh No. 632379

Ref.	Part Number	Qty.	Description
1	31834	1	Shaft/Lever-Throttle
2	631767	1	Spring-Return, Throttle
3	631036	1	Shutter-Throttle
4	650506	2	Screw-Shutter
5	630766	1	Spring-Tension
5A	630738	1	Spring
6	650417	1	Screw-Throttle Crack Screw / Idle Speed
7	632373	1	Shaft-Choke
8	630735	1	Spring-Positioning, Choke
9	632372	1	Shutter-Choke
10	630748	1	Plug-Welch, Idle Mixture Well
11	631027	1	Plug-Welch, Atmospheric Vent

Ref.	Part Number	Qty.	Description
12	631021	1	Inlet Needle, Seat & Clip Assy. (Incl. Ref. #13)
13	631022	1	Clip-Spring
14	632019	1	Float
15	631024	1	Shaft-Float
16	631867	1	Bowl-Float (No Drain)
20	31839	1	Adjustment Screw Assy. (Incl. Ref. #5A, 21, 23 & 27)
21	27110	1	Washer-Bowl Nut
23	630740	1	"o"ring
24	631838	1	Screw-Idle
25	631028	1	O Ring-Bowl, Float
26	632164	1	Fitting-Fuel
27	630739	1	Washer
28	31840	1	Kit-Repair



Rewind Starter Tecumseh No. 590604

<i>Ref.</i>	<i>Part Number</i>	<i>Qty.</i>	<i>Description</i>
1	590599A	1	Pin-Spring (Incl. Ref. #15)
2	590603	1	Washer
3	590598	1	Brake Spring
4	590148	2	Dog-Starter
5	590475	2	Spring-Dog
6	590478	1	Pulley
7	590414	1	Spring & Keeper Assy
8	590605	1	Housing-Starter
9	590451a	1	Rope-Starter
10	590574	1	Handle-Starter, Mitten Grip
12	590476	1	Retainer-Dog
13	590477	1	Screw
14	590600	1	Washer
15	590601	1	Washer



Count on it.