



**Count on it.**

**Parts Catalog**

**5-Blade 27in Reel Mower**

**Reelmaster® 2000-D and 3100-D**

**Model No. 03210—Serial No. 260000001 and Up**

# Ordering Replacement Parts

To order replacement parts, please supply the part number, the quantity, and the description of each part desired.

## Understanding Reference Numbers

Each identified part in an illustration has a reference number. The reference number for a part also appears in the parts list, along with other information about the part.

This catalog uses two special reference number formats, one to indicate parts in a service assembly and another to indicate the quantity of a given part in an illustration.

## Service Assembly Reference Numbers

Parts in service assemblies have reference numbers in the form a:b. The a represents the reference number of the entire service assembly and the b represents a sequential number unique to each part within the service assembly.

For example, a wheel assembly might be identified by reference number 6, the tire by 6:1, the valve by 6:2, and the wheel by 6:3. When you order the assembly identified by reference number 6, you receive all parts identified by reference numbers 6:1, 6:2, and 6:3. However, you may also order any part individually. Reference numbers of this type appear in illustration and in parts lists.

## Reference Numbers Indicating Quantity

In an illustration, if a reference number indicates more than one part, the reference number has the form nX y. The n represents the quantity of the part, the X is the multiplication symbol, and the y represents the reference number.

For example, in an illustration, the reference number 2X 37 means that two of the parts identified by reference number 37 are indicated.

# List of Abbreviations

**AR:** as required

**ASM:** assembly

**BBC:** blade brake control

**BHTF:** button head thread forming

**CARR:** carriage

**CCW:** counter clockwise

**CCW:** counter clock wise

**CW:** clockwise

**CW:** clockwise

**DEG:** degrees

**ECM:** electronic control module

**ECM:** electronic control module

**EXT:** external

**FH:** flat head

**GA:** gauge

**HD:** heavy-duty

**HF:** hex flange

**HH:** hex head

**HHF:** hex head flange

**HHFTF:** hex head flange thread forming

**HJ:** hex jam

**HLH:** hex lag head

**HOC:** height-of-cut

**HSBH:** hex socket button head

**HSFH:** hex socket flat head

**HSH:** hex socket head

**HWH:** hex washer head

**HWHTF:** hex washer head thread forming

**HWHTF:** hex washer head thread forming

**HYD:** hydraulic

**LH:** left hand

**NI:** nylon insert

**NPTF:** national pipe thread fine

**PFH:** phillips flat head

**PPH:** phillips pan head

**PPHTF:** phillips pan head thread forming

**PRH:** phillips round head

**PTH:** phillips truss head

**PTO:** power-take-off

**RH:** right hand

**ROPS:** roll-over protection system

**RRB:** rear roller brush

**SFH:** slotted fillister head

**SHH:** slotted hex head

**SHWH:** slotted hex washer head

**SPH:** slotted pan head

**SQH:** square head

**SRH:** slotted round head

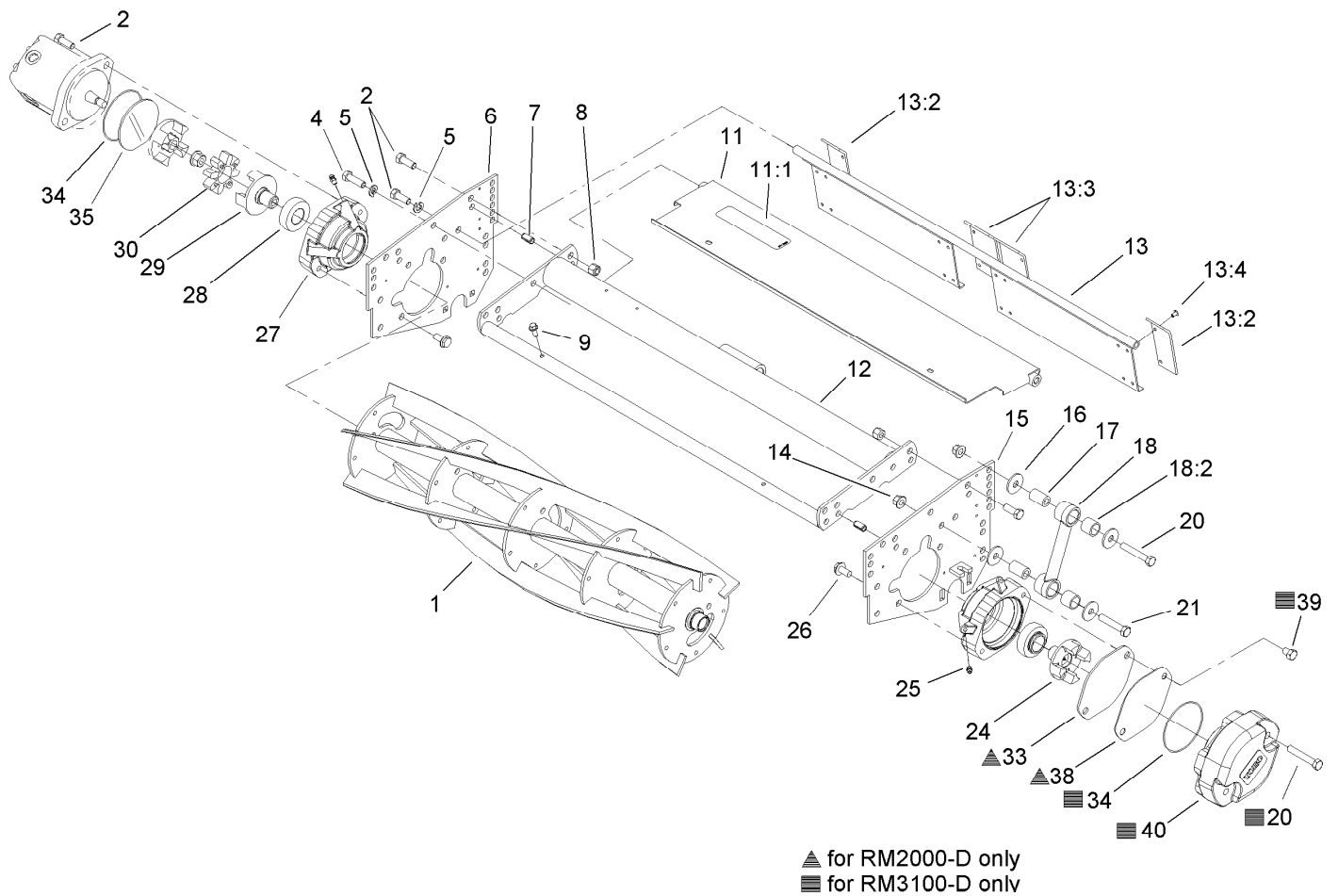
**STD:** standard

**TAP:** self tapping

**TTH:** torx truss head

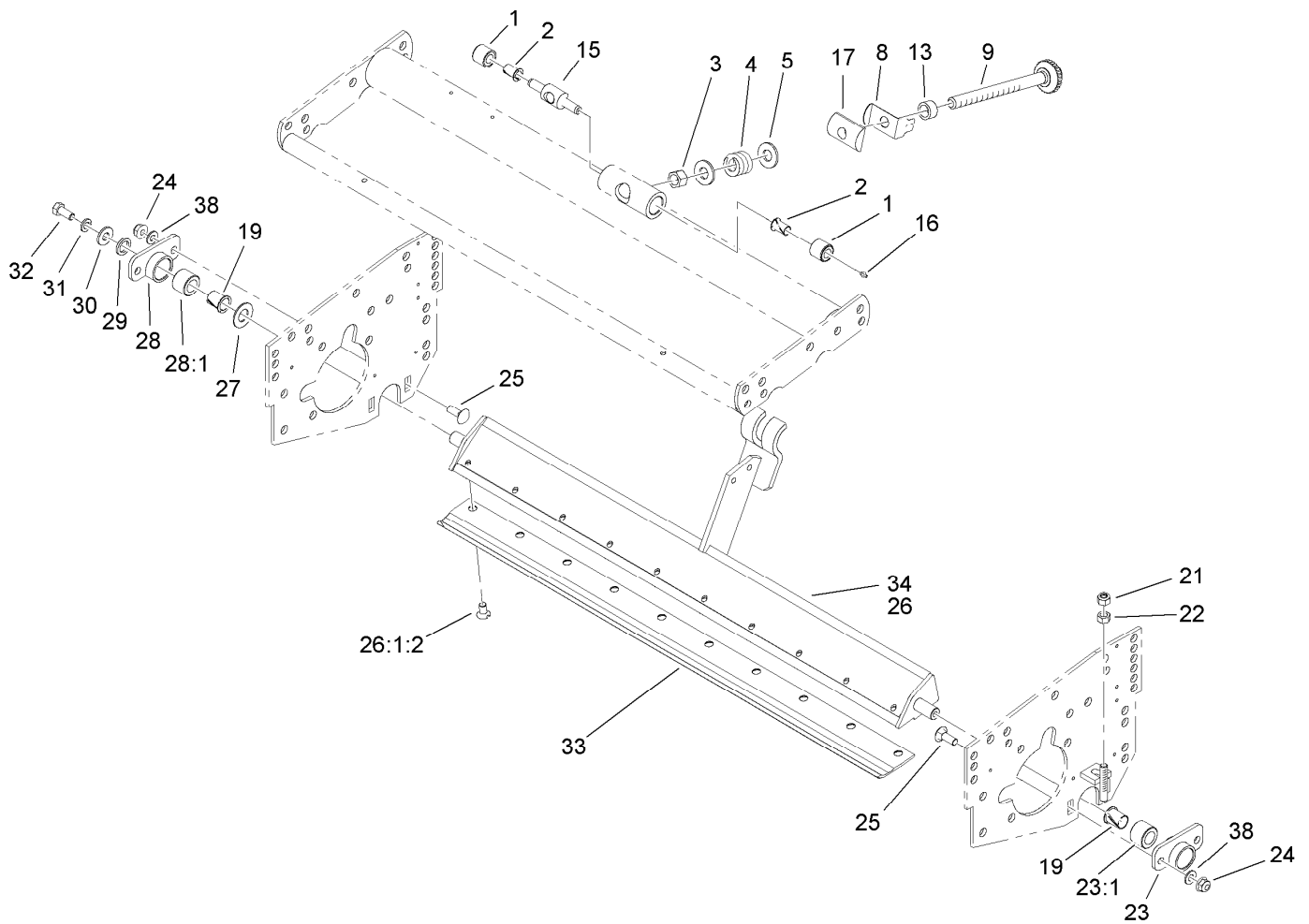
# Contents

- Reel and Frame Assembly ..... 4
- Bedbar Assembly ..... 5
- Roller Assembly ..... 6
- Gauge Bar, Angle Indicator, Brush and Handle Assembly ..... 7
- Attachments and Accessories ..... 8



## Reel and Frame Assembly

Ref.	Part Number	Qty.	Description	Ref.	Part Number	Qty.	Description
1	99-3482	1	Reel-Blade, 5	16	93-8806	16	Washer-Hardened
2	323-6	10	Screw-HH	17	93-6981	8	Spacer
4	323-7	2	Screw-HH	18	16-9759	4	Link ASM
5	3253-5	4	Washer-Lock	18:2	94-8945	2	Bushing
6	94-3695-01	1	Plate-Side Reel, RH	20	323-11	6	Screw-HH
7	32121-36	4	Pin-Spring	21	323-10	4	Screw-HH
8	3296-39	6	Nut-Lock, NI	24	93-8826	1	Coupler-Reel, LH Thread
9	32144-10	2	Screw-HWH	25	302-5	4	Fitting-Grease
11	94-3621	1	Front Grass Shield ASM	26	110-1718	4	Screw-HHF
11:1	67-7960	1	Decal-Danger	27	99-3404	2	Housing-Bearing
11:1	93-6688	1	Decal-Danger	28	100-4926	2	Bearing-Aligning, Self
11:1	94-4584	1	Decal-Danger, Japan	29	93-8825	1	Coupler-Reel, RH Thread
12	95-8753-01	1	27 Inch Reel Frame ASM	30	93-8827	1	Spider-Coupler
13	93-8849	1	Rear Grass Shield ASM	33	94-5979	1	Gasket
13:2	61-3280	2	Flap-Rubber	34	353-949	2	O-Ring
13:3	61-3290	2	Flap-Rubber, Middle	35	94-2703	1	Plug
13:4	700382	12	Rivet	38	93-6960	1	Cover-Holder, Bearing
14	104-8301	8	Nut-Flange, NI	39	323-2	2	Screw-HH
15	94-3697-01	1	LH Side Plate ASM	40	105-0171-03	1	Weight-End

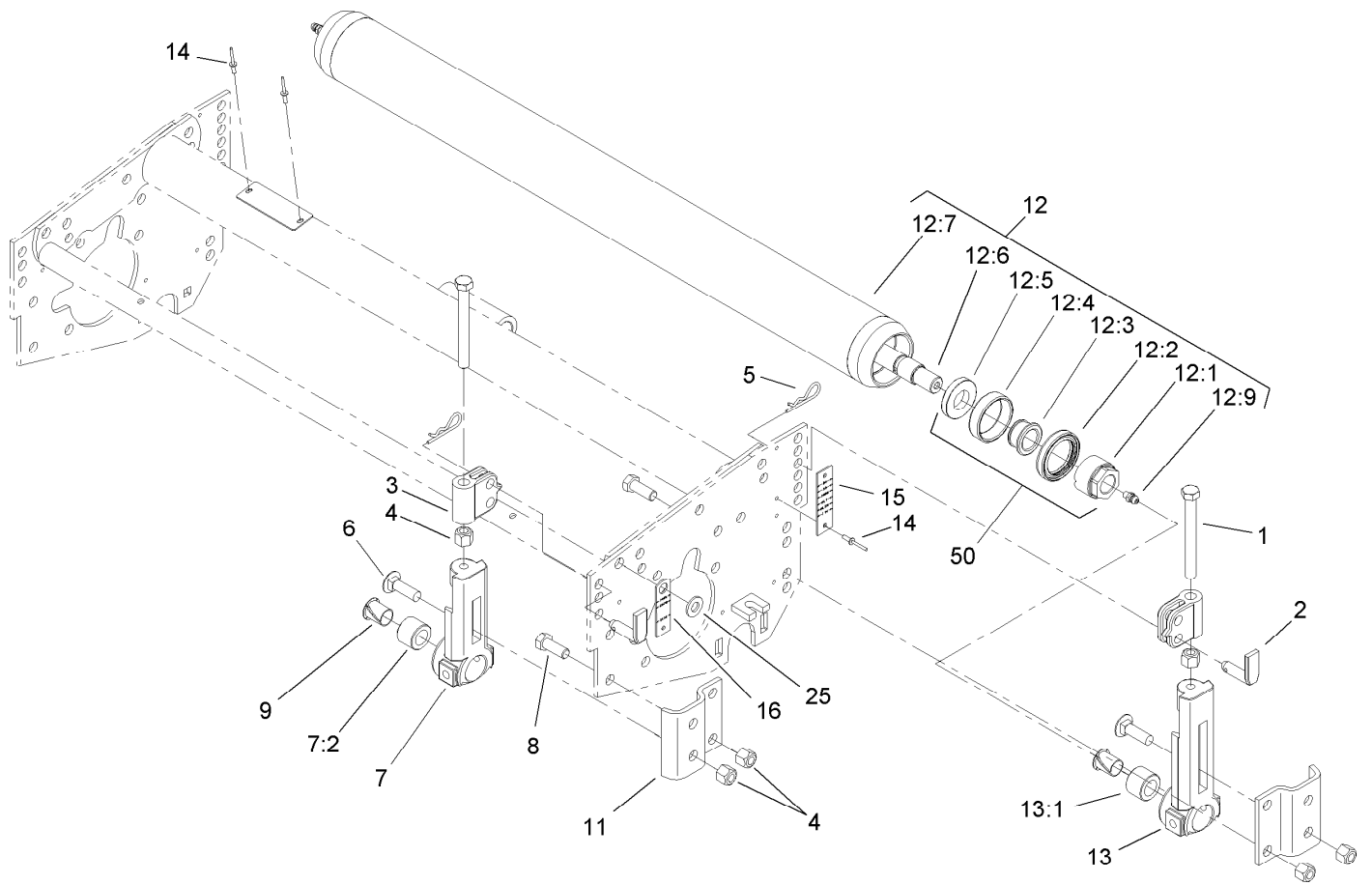


## Bedbar Assembly

Ref.	Part Number	Qty.	Description	Ref.	Part Number	Qty.	Description
1	62-5510	2	Bushing-Rubber	23:1	56-9510	1	Bushing ASM
2	52-2890	2	Bushing-Nylon	24	104-8300	4	Nut-Flange, NI
3	3296-62	1	Nut-Lock NI	25	3230-16	4	Screw-CARR
4	57-5270	1	Spring-Compression	26		1	Bedbar ASM ■
5	29-8910	2	Washer	26:1:2	57-4910	10	Screw-Special
8	95-8752	1	Arm-Spring	27	61-1950	1	Washer-Plastic
9	106-7536	1	Bedbar Adjuster ASM	28	14-4459	1	Housing-Bedbar
13	93-2959	1	Spacer-Adjuster	28:1	56-9510	1	Bushing ASM
15	107-7409	1	Pin-Pivot, Bedbar	29	62-7120	1	Washer
16	302-18	1	Fitting-Grease	30	3256-56	1	Washer-Flat
17	93-2892	1	Pivot-Bedbar, Manual Adjust	31	3253-4	1	Washer-Lock
19	56-9520	2	Bushing-Flanged	32	322-3	1	Screw-HH
21	3296-4	1	Nut-Lock	33	104-1380	1	Bedknife-Highcut ●
22	3219-2	1	Nut-Hex	33	105-6785	1	Bedknife-Lowcut
23	16-9769	1	Bedbar Adjuster Housing And Bushing ASM	34	95-8739-01	1	Bedbar
				38	3256-74	4	Washer-Flat

● Optional Equipment

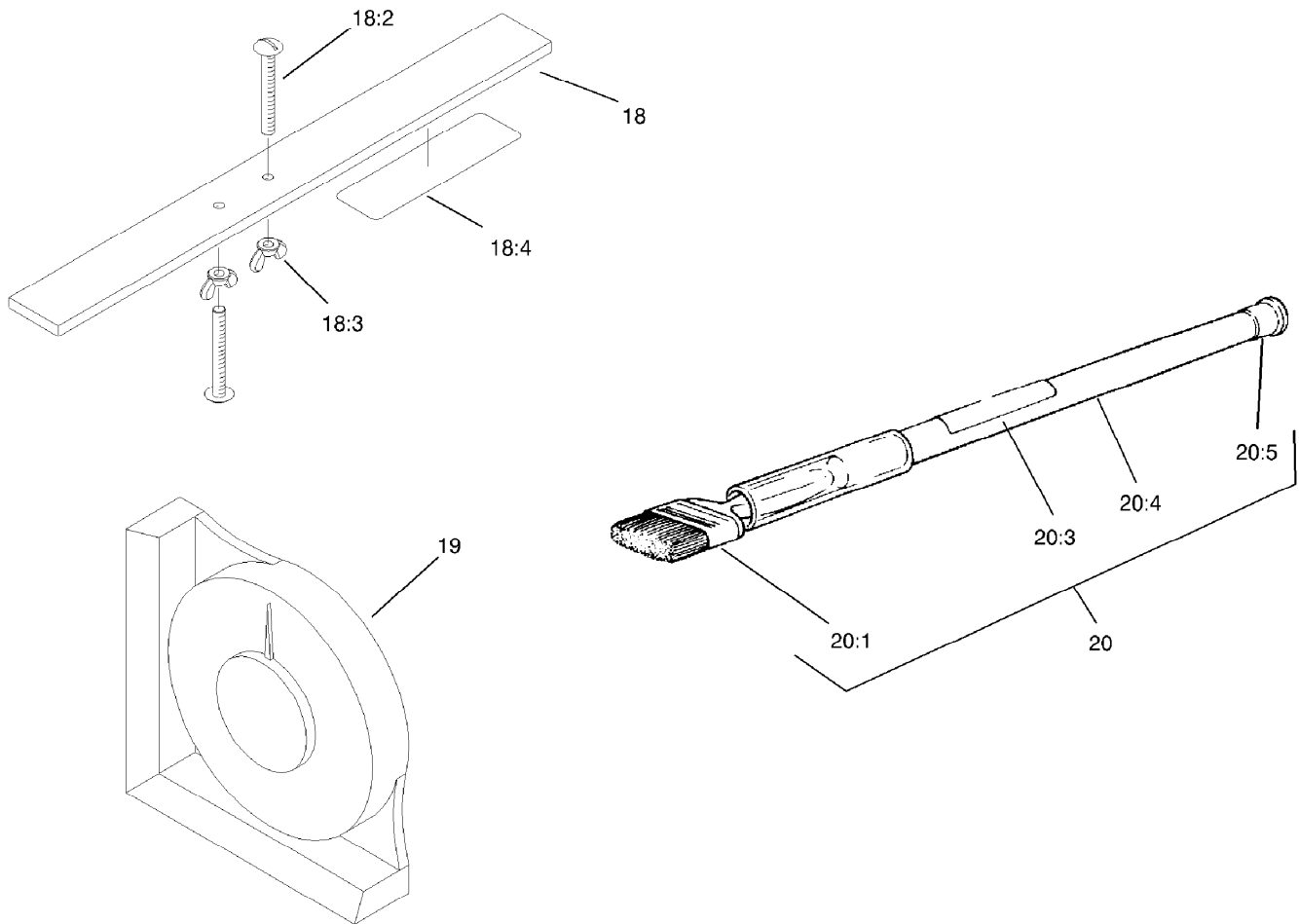
■ Not serviced separately



## Roller Assembly

<i>Ref.</i>	<i>Part Number</i>	<i>Qty.</i>	<i>Description</i>	<i>Ref.</i>	<i>Part Number</i>	<i>Qty.</i>	<i>Description</i>
1	323-57	4	Screw-HH	12:3	254-78	2	Bearing-Cone
2	71-3690	4	Spade-Bent	12:4	254-79	2	Bearing-Roller, Cup
3	61-0420-01	4	Support-HOC	12:5	253-152	2	Seal-Oil
4	3296-39	16	Nut-Lock, NI	12:6	105-0156	1	Shaft-Roller
5	3290-467	4	Pin-Hair	12:7	12-4989-01	1	End Cap And Tube ASM
6	3231-25	4	Screw-CARR	12:9	302-5	2	Fitting-Grease
7	14-4489	2	Front HOC Bracket ASM	13	14-4479	2	Rear HOC Bracket And Bushing ASM
7:2	56-9510	1	Bushing ASM	13:1	56-9510	1	Bushing ASM
8	323-6	8	Screw-HH	14	3290-55	8	Rivet-Pop
9	56-9520	2	Bushing-Flanged	15	61-3800	2	Plate-HOC, Rear
11	61-0910	4	Bracket-Angle	16	61-3790	2	Plate-HOC, Front
12	61-0410	1	Full Roller ASM	25	3256-24	2	Washer-Flat
12:1	71-3590	2	Nut-Adjustment	50	106-9607	1	Full Roller Kit ●
12:2	105-0150	2	Seal-Grease				

● Optional Equipment



## Gauge Bar, Angle Indicator, Brush and Handle Assembly

<i>Ref.</i>	<i>Part Number</i>	<i>Qty.</i>	<i>Description</i>
18	98-1852	1	Gauge Bar ASM
18:2	32122-54	2	Screw-Head, Truss
18:3	32103-3	2	Nut-Wing
18:4	98-7976	1	Decal-Bar, Gauge
19	99-3503	1	Indicator-Angle
20	29-9100	1	Brush And Handle ASM
20:1	36-4310	1	Brush
20:3	98-3206	1	Decal
20:4	29-9080	1	Handle
20:5	2410-18	1	Cap-Plastic

# Attachments and Accessories

## For 03210 5-Blade 27in Reel Mower, Reelmaster 2000-D and 3100-D

<b>Product Name</b>	<b>Model/Part</b>
Basket Kit .....	03227
27in Wiehle Roller Kit (3in Diameter) .....	03233
27in Full Roller Kit.....	03440
27in Bedknife-Highcut .....	104-1380
WIEHLE ROLLER ASM.....	104-1385
High HOC Support Kit.....	104-1395
27in Wiehle Roller Scraper Kit (3in Diameter).....	104-1398
Bedknife-Edgemax .....	112-8910
27in Full Roller Scraper Kit .....	60-9560
FULL ROLLER ASM.....	61-0410
27in Sectional Roller ASM .....	62-4970
27in Anti-Scalp Roller ASM.....	63-5090
Comb Kit.....	67-9400
Fixed Cutting Unit Kit .....	93-6915
Skid Kit .....	94-3664

**Notes:**

**Notes:**

**Notes:**



**Count on it.**