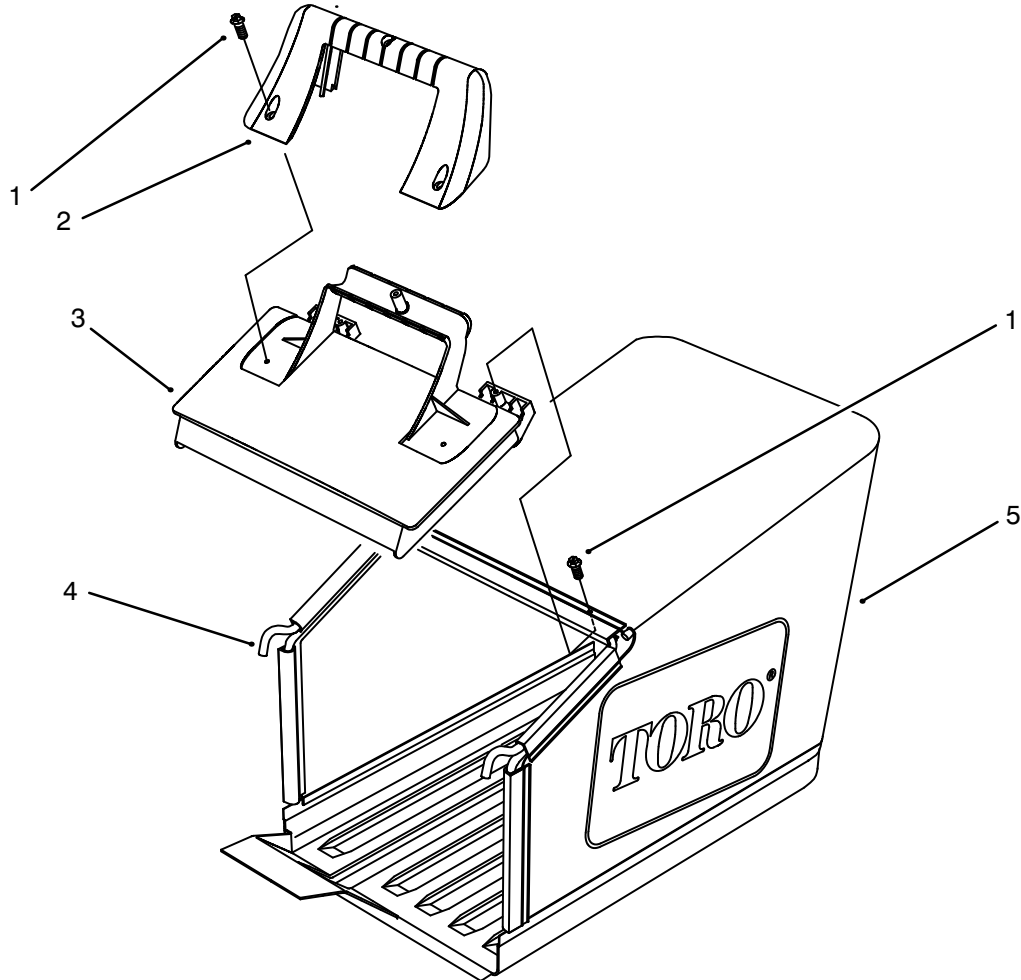




PART NO. 94-4254	<b>PARTS CATALOG</b>
<b>53cm GRASS BAG KIT</b>	



C-1570

## GRASS BAG ASSEMBLY

Ref. No.	Part No.	Description	No. Used
1	32144-111	Screw - Index Hex Washer Head	5
†2	71-9480	Handle - Door	1

Ref. No.	Part No.	Description	No. Used
†3	71-9470	Door - Bag	1
†4	71-9930	Frame - Grass Bag	1
5	71-9680	Bag - Grass 53cm	1