



**Count on it.**

**Parts Catalog**

**Power Max 1128 OXE  
Snowthrower**

**Model No. 38657—Serial No. 290000001 and Up**

# Ordering Replacement Parts

To order replacement parts, please supply the part number, the quantity, and the description of each part desired.

## Understanding Reference Numbers

Each identified part in an illustration has a reference number. The reference number for a part also appears in the parts list, along with other information about the part.

This catalog uses two special reference number formats, one to indicate parts in a service assembly and another to indicate the quantity of a given part in an illustration.

## Service Assembly Reference Numbers

Parts in service assemblies have reference numbers in the form a:b. The a represents the reference number of the entire service assembly and the b represents a sequential number unique to each part within the service assembly.

For example, a wheel assembly might be identified by reference number 6, the tire by 6:1, the valve by 6:2, and the wheel by 6:3. When you order the assembly identified by reference number 6, you receive all parts identified by reference numbers 6:1, 6:2, and 6:3. However, you may also order any part individually. Reference numbers of this type appear in illustration and in parts lists.

## Reference Numbers Indicating Quantity

In an illustration, if a reference number indicates more than one part, the reference number has the form nX y. The n represents the quantity of the part, the X is the multiplication symbol, and the y represents the reference number.

For example, in an illustration, the reference number 2X 37 means that two of the parts identified by reference number 37 are indicated.

# List of Abbreviations

**AR:** as required

**ASM:** assembly

**BBC:** blade brake control

**BHTF:** button head thread forming

**CARR:** carriage

**CCW:** counter clockwise

**CCW:** counter clock wise

**CW:** clockwise

**CW:** clockwise

**DEG:** degrees

**ECM:** electronic control module

**ECM:** electronic control module

**EXT:** external

**FH:** flat head

**GA:** gauge

**HD:** heavy-duty

**HF:** hex flange

**HH:** hex head

**HHF:** hex head flange

**HHFTF:** hex head flange thread forming

**HJ:** hex jam

**HLH:** hex lag head

**HOC:** height-of-cut

**HSBH:** hex socket button head

**HSFH:** hex socket flat head

**HSH:** hex socket head

**HWH:** hex washer head

**HWHTF:** hex washer head thread forming

**HWHTF:** hex washer head thread forming

**HYD:** hydraulic

**LH:** left hand

**NI:** nylon insert

**NPTF:** national pipe thread fine

**PFH:** phillips flat head

**PPH:** phillips pan head

**PPHTF:** phillips pan head thread forming

**PRH:** phillips round head

**PTH:** phillips truss head

**PTO:** power-take-off

**RH:** right hand

**ROPS:** roll-over protection system

**RRB:** rear roller brush

**SFH:** slotted fillister head

**SHH:** slotted hex head

**SHWH:** slotted hex washer head

**SPH:** slotted pan head

**SQH:** square head

**SRH:** slotted round head

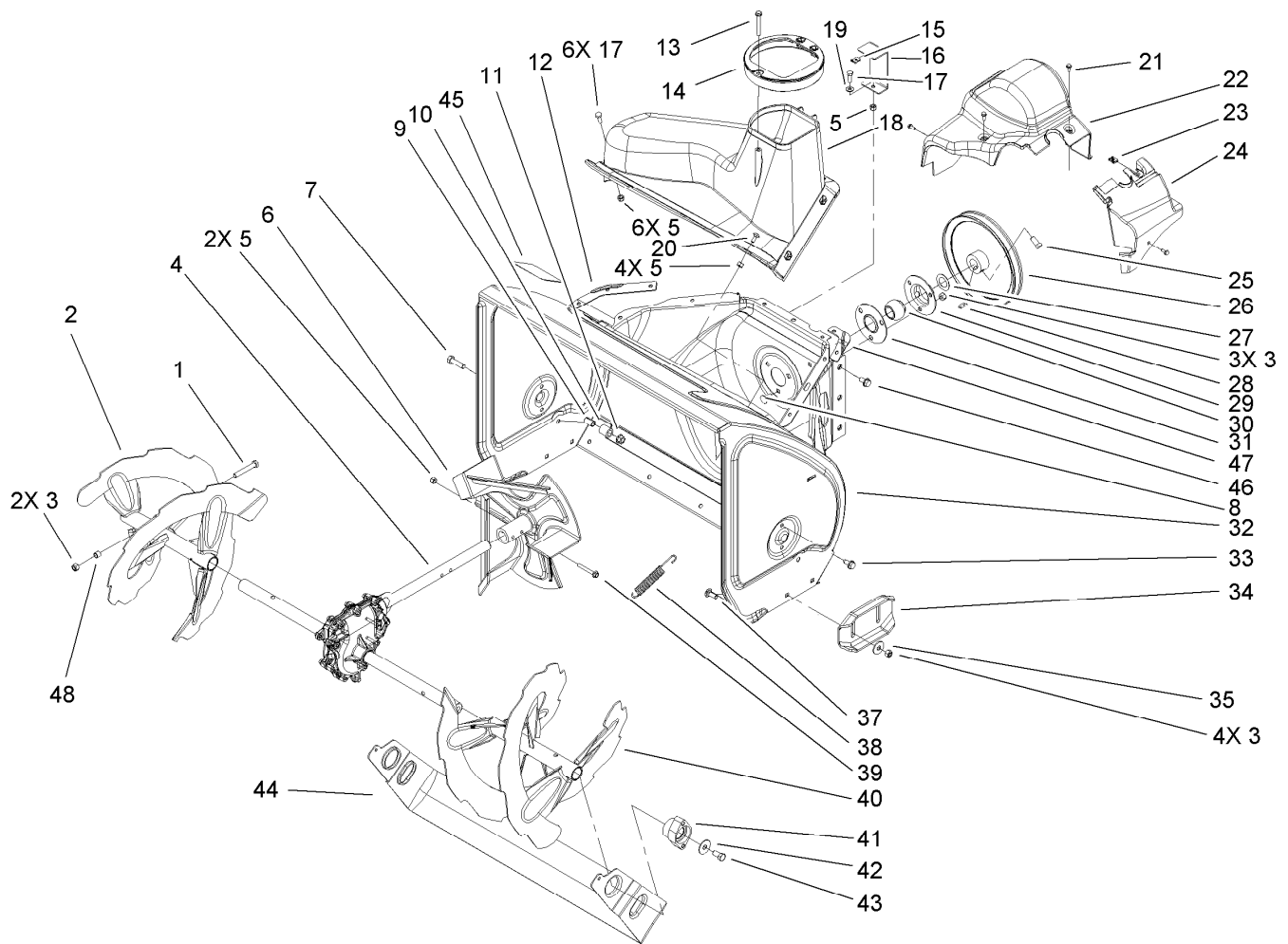
**STD:** standard

**TAP:** self tapping

**TTH:** torx truss head

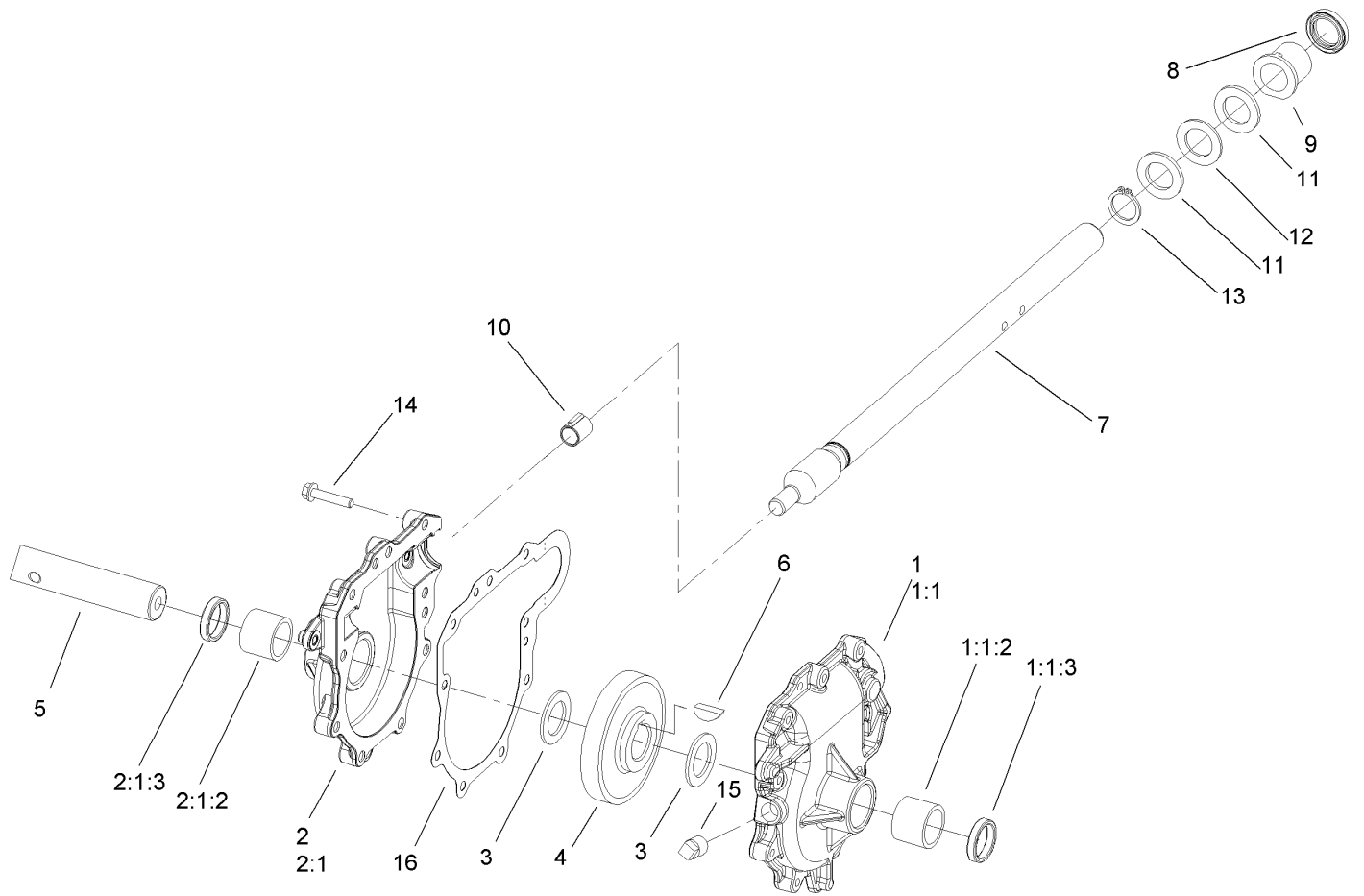
# Contents

Auger and Housing Assembly .....	4
28 Inch Auger Gearcase Assembly No. 108-7329 .....	5
Chute Assembly .....	6
Frame Assembly .....	7
Handle Assembly .....	8
Handle and Control Assembly .....	9
Lever Chute Control Assembly .....	10
Engine Assembly .....	11
Wheel Clutch Assembly .....	12
Wheel Clutch Sprocket Assembly .....	13
Attachments and Accessories .....	14



## Auger and Housing Assembly

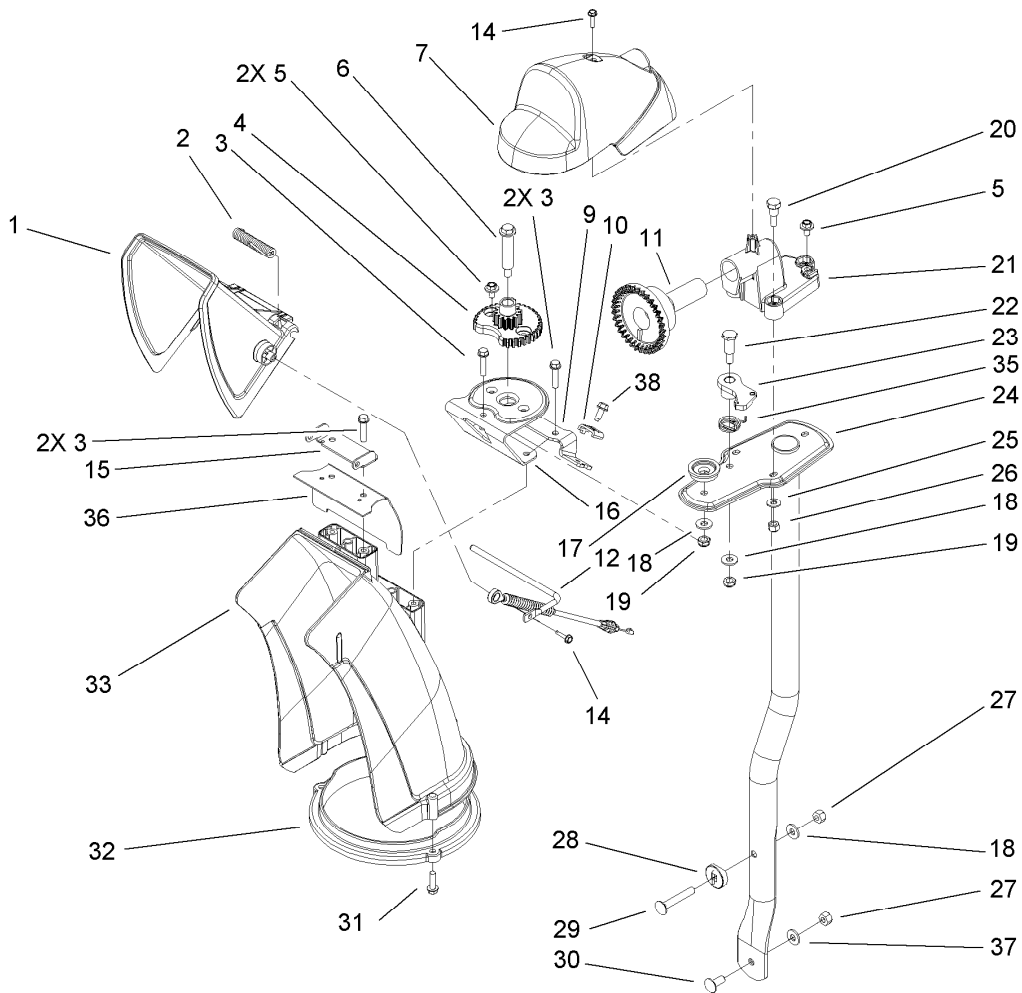
<i>Ref.</i>	<i>Part Number</i>	<i>Qty.</i>	<i>Description</i>	<i>Ref.</i>	<i>Part Number</i>	<i>Qty.</i>	<i>Description</i>
1	322-11	2	Screw-HH	24	107-1016	1	Cover-Extension, Belt
2	106-7291-03	1	Auger-RH	25	3242-4	2	Screw-Set, SQH
3	3296-29	9	Nut-Lock, NI	26	62-1300	1	Pulley-Impeller
4	108-7329	1	28 Inch Auger Gearcase ASM	27	252-80	1	Washer-Thrust
5	3296-42	13	Nut-Lock, NI	28	3257-23	1	Key-Woodruff
6	106-4576-03	1	Impeller ASM	29	26-6110	1	Flange-Cup, Bearing
7	323-29	2	Screw-HH	30	63-3450	1	Bearing-Ball
8	3230-23	3	Screw-CARR	31	26-6120	1	Flange-Cup, Bearing
9	106-4501	2	Spacer-Scraper, Stop	32	107-3824	1	Housing-Auger, 28 Inch
10	106-7318	2	Cushion-Scraper, Stop	33	32144-70	4	Screw-HWHTF
11	32128-21	2	Nut-HF	34	106-4588-01	2	Skid
12	107-1017-03	1	Seal-Flange, Cover	35	52-2861	4	Washer
13	107-3003	1	Screw-Plastite	37	3230-16	4	Screw-CARR
14	107-3006	1	Guide-Chute	38	106-4502	2	Spring-Scraper
15	107-1013	1	Nut-Speed, U-Type	39	321-44	2	Screw-HHF
16	107-1014-03	1	Bracket-Cover, Clip Nut	40	106-7301-03	1	LH Auger ASM
17	321-4	7	Screw-HH	41	106-4570	2	Auger-Bearing
18	108-0017	1	Cover	42	3-0750	2	Washer
19	3256-22	1	Washer-Flat	43	323-4	2	Screw-HH
20	3229-1	4	Screw-CARR	44	106-4590-01	1	Scraper-28 Inch, Pivoting
21	32144-112	4	Screw-HWH	45	107-3040	1	Decal-Danger, Auger
22	107-1001	1	Cover-Belt	46	32144-14	6	Screw-HWHTF
23	701493	1	Nut-Speed	47	108-0039-03	1	Seal
				48	1-633545	2	Spacer



## 28 Inch Auger Gearcase Assembly No. 108-7329

Ref.	Part Number	Qty.	Description
1	108-7325	1	LH Auger Gearcase ASM
1:1		1	Gearcase-Auger, LH ●
1:1:2	112-6635	1	Bushing-Sleeve
1:1:3	7-0045	1	Seal-Oil
2	108-7327	1	RH Auger Gearcase ASM
2:1		1	Gearcase-Auger, RH ●
2:1:2	112-6635	1	Bushing-Sleeve
2:1:3	7-0045	1	Seal-Oil
3	252-71	2	Washer-Thrust
4	62-0120	1	Gear-Helical
5	106-4421	1	Shaft-Auger
6	3257-10	1	Key-Woodruff
7	66-7811	1	Shaft-Impeller
8	253-149	1	Seal-Oil
9	37-6560	1	Bushing-Input
10	62-1150	1	Bushing-Worm
11	252-78	2	Washer-Thrust
12	252-76	1	Bearing-Thrust
13	32151-33	1	Ring-Retaining, EXT
14	108-4862	9	Screw-HWHTF
15	281-1	1	Plug-Pipe, SQH
16	108-7330	1	Gasket-Gearcase, Auger

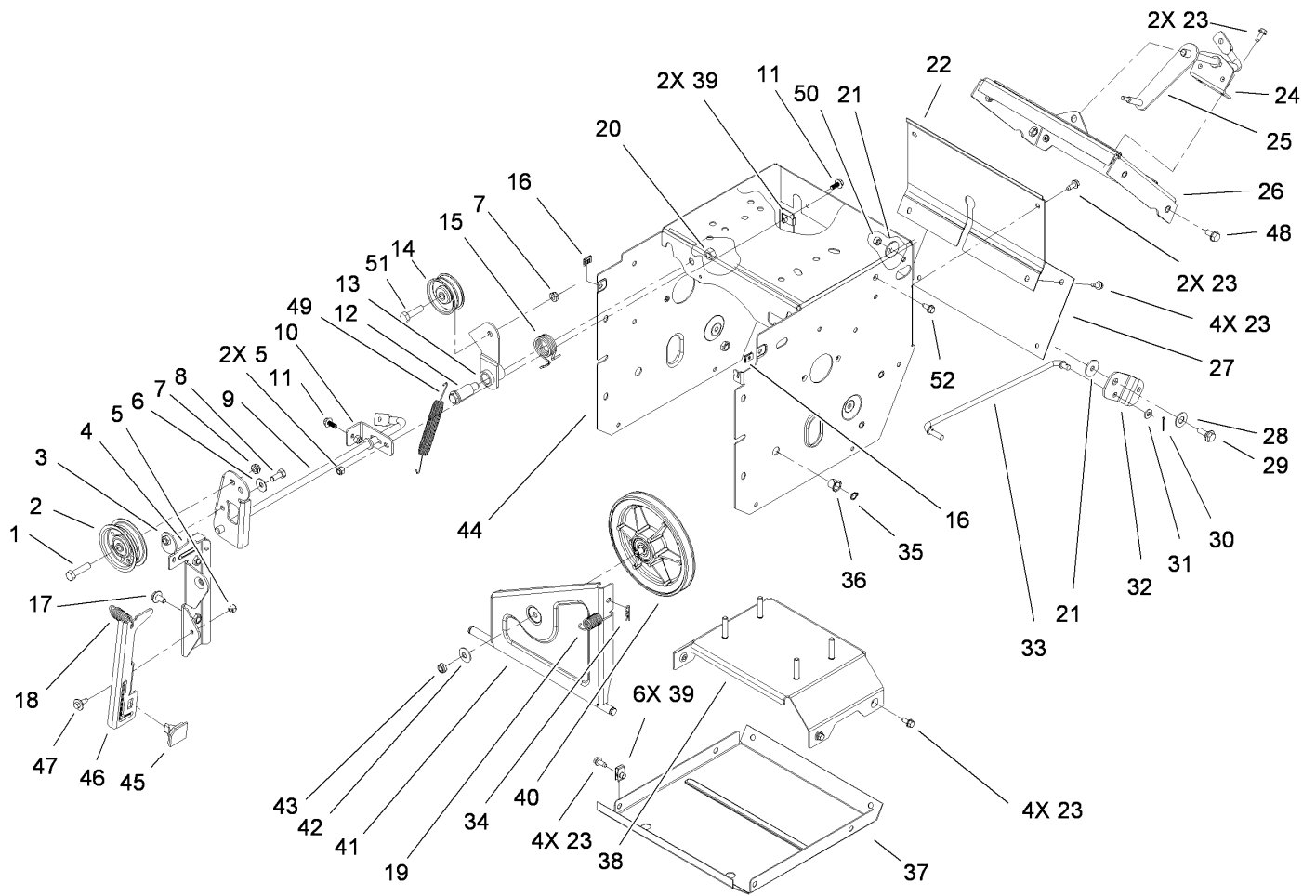
● Not serviced separately



## Chute Assembly

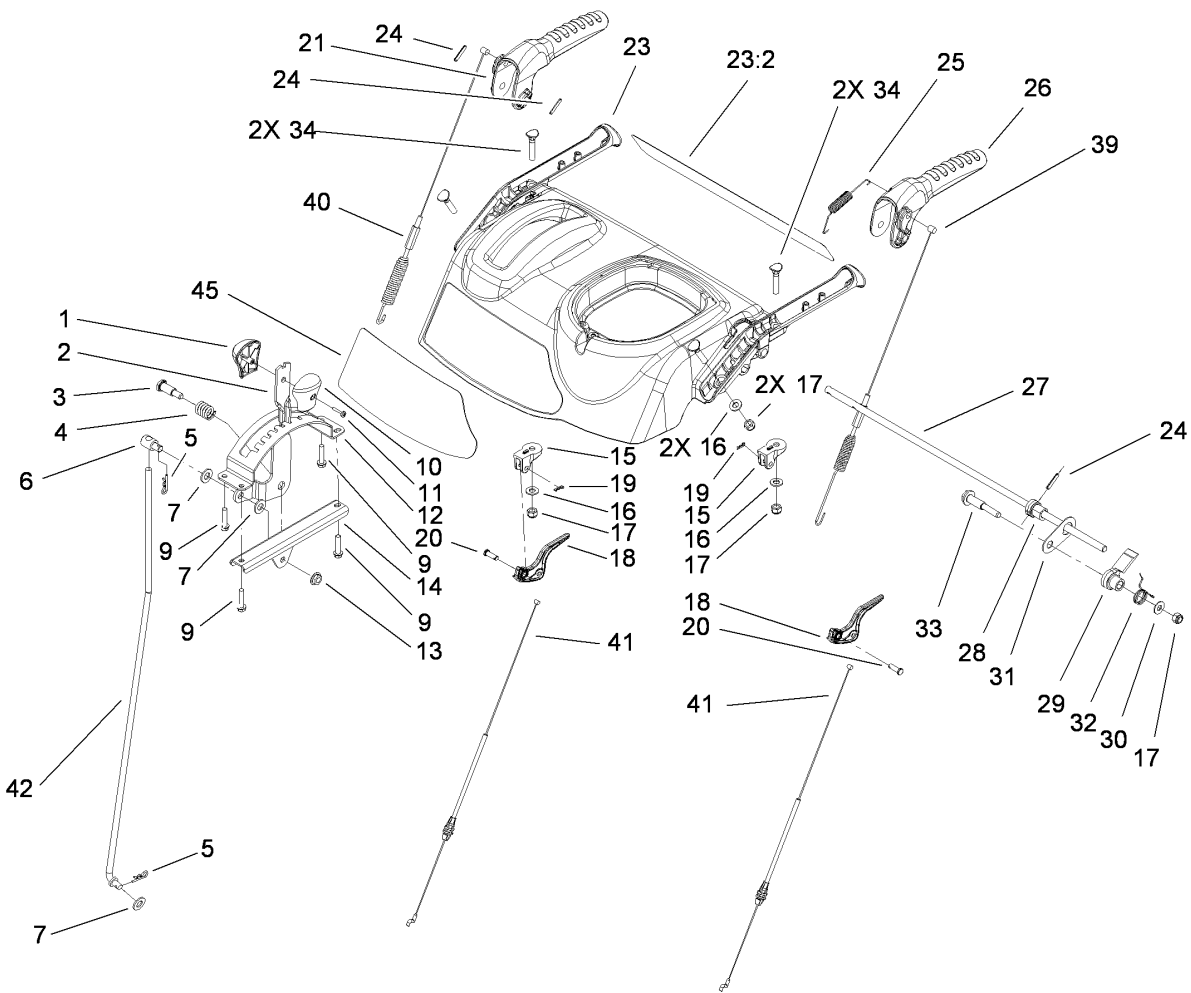
<i>Ref.</i>	<i>Part Number</i>	<i>Qty.</i>	<i>Description</i>
1	112-6629	1	Deflector-Chute, Ce
2	106-4594	1	Spring-Torsion
3	46-8092	5	Screw-Plastite
4	106-4472	1	Gear-Chute
5	46-6810	3	Screw And Washer ASM
6	100-9880	1	Bolt-Shoulder
7	106-4585	1	Cover-Gear, Chute
9	106-7296	1	Bracket-Cable, Clamp
10	106-7297	1	Clamp-Cable
11	106-4471	1	Gear-Face
12	107-1021	1	Rod-Deflector
14	98-1375	2	Screw-HWH
15	106-7266	1	Bracket-Deflector
16	106-4582-03	1	Bracket-Support, Chute
17	106-4422	1	Spacer-Chute
18	3256-2	3	Washer-Flat
19	3296-47	2	Nut-Lock, NI
20	106-7276	3	Screw-Shoulder

<i>Ref.</i>	<i>Part Number</i>	<i>Qty.</i>	<i>Description</i>
21	106-7257	1	Mount-Gear, Face
22	63-2650	1	Screw-Shoulder
23	106-4476	1	Latch-Chute
24	106-7253-03	1	Tube-Support
25	3256-22	3	Washer-Flat
26	3296-42	3	Nut-Lock, NI
27	3296-29	2	Nut-Lock, NI
28	106-7260	1	Washer-Curved
29	3230-5	1	Screw-CARR
30	3230-23	1	Screw-CARR
31	46-8091	3	Screw-HWH
32	105-9991	1	Ring-Chute
33	106-4440	1	Chute-Discharge
35	108-7315	1	Spring-Torsion
36	108-5052	1	Seal-Chute
37	3290-456	1	Washer-Belleville
38	32144-10	1	Screw-HWH



## Frame Assembly

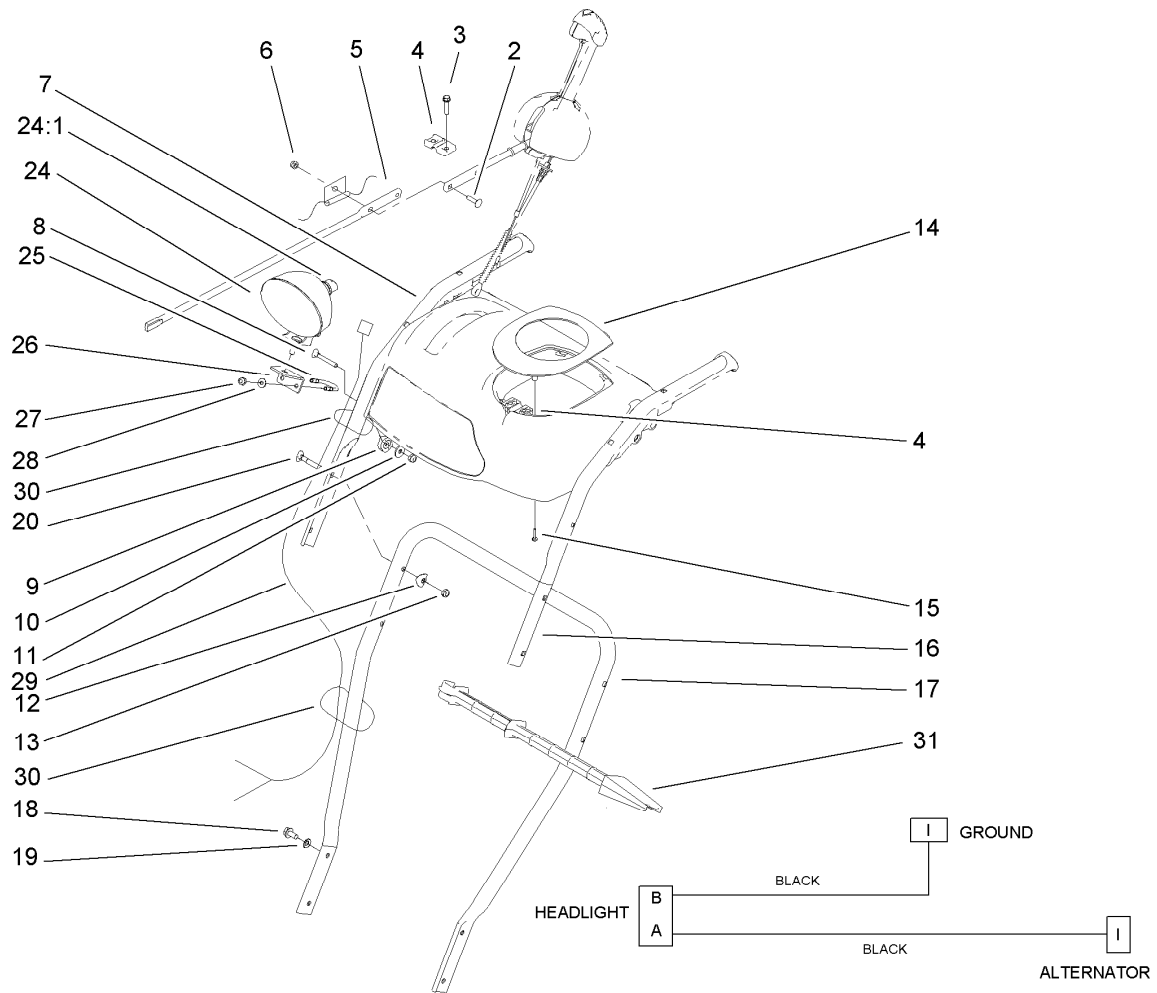
Ref.	Part Number	Qty.	Description	Ref.	Part Number	Qty.	Description
1	323-8	1	Screw-HH	27	106-7345-01	1	Cover-Lower
2	92-7104	1	Pulley-Idler	28	25-5640	1	Washer
3	107-1047	1	Nut	29	27-0410	1	Screw-Shoulder
4	107-1039	1	Bracket-Idler, Impeller	30	3272-4	1	Pin-Cotter
5	3296-42	3	Nut-Lock, NI	31	3256-23	1	Washer-Flat
6	3290-456	1	Washer-Belleville	32	107-1011	1	Bellcrank-Drive
7	3296-59	2	Nut-Lock, NI	33	106-4467	1	Link-Control, Speed
8	322-3	1	Screw-HH	34	3290-307	1	Pin-Hair
9	107-3838-03	1	Impeller Clutch ASM	35	32151-61	2	Ring-Retaining
10	106-7341	1	Bracket-Rear, Clutch	36	256-257	2	Bushing-Nyliner
11	99-6810	2	Screw-HH	37	106-7330-01	1	Pan-Bottom
12	108-5056	1	Bolt-Shoulder	38	112-8127	1	Frame Brace ASM
13	108-5058	1	Arm-Idler, Traction	39	107069	8	Clip
14	3-4244	1	Pulley-Idler	40	108-0031	1	Traction Pulley ASM
15	108-7332	1	Spring-Torsion	41	108-7307	1	Friction Wheel Bracket ASM
16	107-1013	2	Nut-Speed, U-Type	42	3290-340	1	Washer-Belleville
17	3234-7	2	Screw-HHF	43	3296-5	1	Nut-Lock
18	107-3829	1	Spring-Extension	44	114-9259-01	1	Traction Frame ASM
19	107-1003	1	Spring-Extension	45	66-8060	1	Pad-Brake
20	3296-76	1	Nut-Lock, NI	46	107-1000	1	Arm-Brake
21	5-4460	2	Washer-Pivot	47	92-9698	1	Screw-Shoulder
22	108-0022-01	1	Cover-Upper	48	32144-14	4	Screw-HWHTF
23	32144-10	16	Screw-HWH	49	108-2976	1	Spring-Extension
24	108-0036	1	Bracket-Rod, Shift	50	3296-29	1	Nut-Lock, NI
25	106-7268	1	Lever-Control, Traction	51	323-29	1	Screw-HH
26	108-0026-01	1	Shift Plate ASM	52	32144-4	1	Screw-HWH



## Handle Assembly

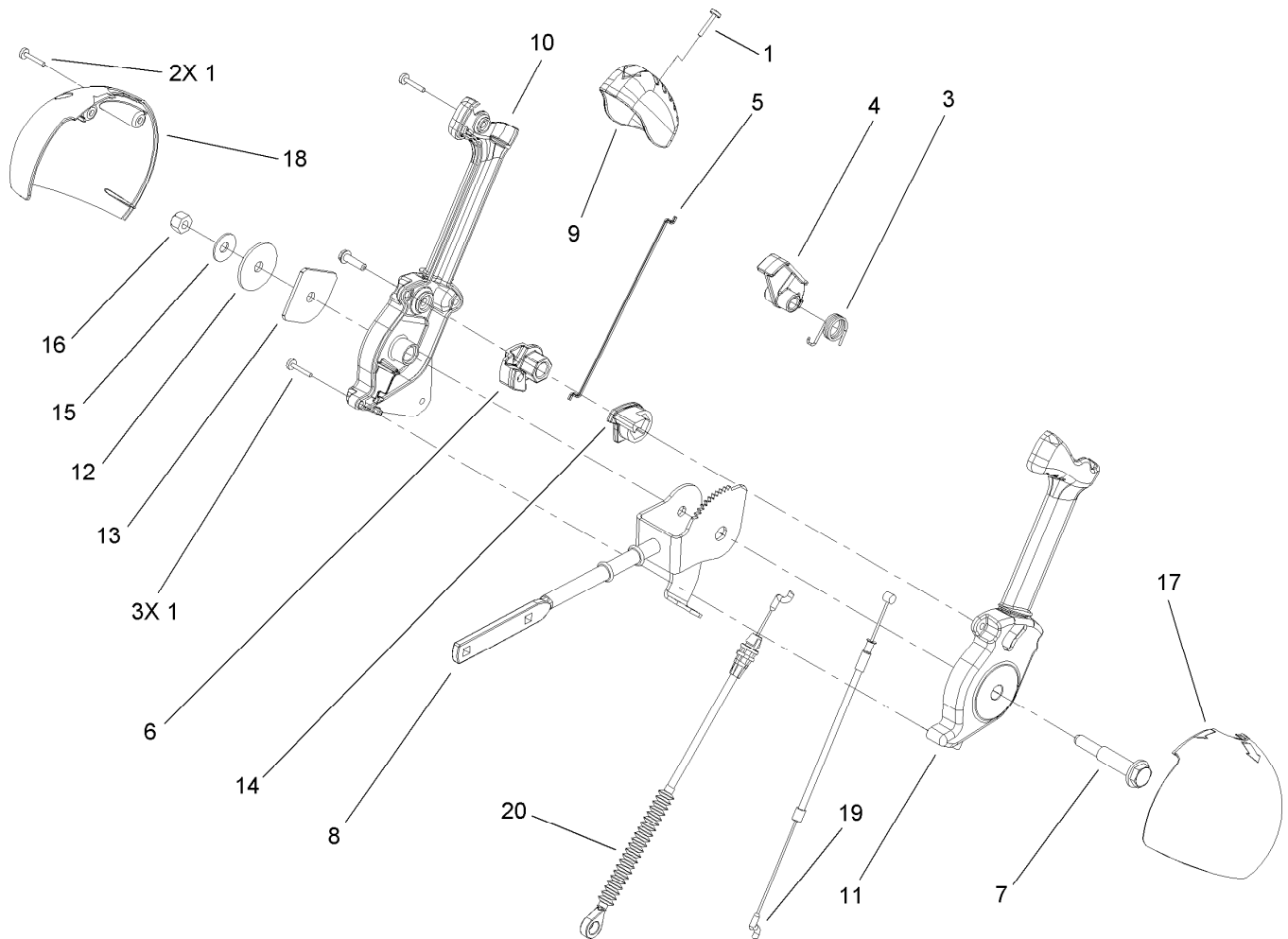
Ref.	Part Number	Qty.	Description
1	106-4423	1	Knob-Shift, RH
2	106-7278-03	1	Selector-Speed
3	63-2650	1	Screw-Shoulder
4	108-7313	1	Spring-Compression
5	3290-307	2	Pin-Hair
6	110-3446	1	Trunion-Rod
7	3256-24	3	Washer-Flat
9	46-8092	4	Screw-Plastite
10	105-9999	1	Knob-Shift, LH
11	94-4496	1	Screw-PPH
12	106-7277-03	1	Guide-Selector, Speed
13	32128-13	1	Nut-HF
14	106-7279-03	1	Mount-Selector, Speed
15	105-9980	2	Mount-Clutch, Lever
16	3256-70	4	Washer-Flat
17	3296-72	5	Nut-Lock, NI
18	106-4505	2	Lever-Clutch
19	108-2992	2	Pin-Hair
20	1-808265	2	Pin-Clevis

Ref.	Part Number	Qty.	Description
21	106-4413	1	Lever-Auger
23	112-6633	1	Panel-Control
23:2	112-6627	1	Decal-Back, Control Panel
24	32121-125	3	Pin-Spring
25	107-3001	1	Spring-Tension
26	106-4410	1	Lever-Traction
27	105-9996	1	Rod-Lockout
28	107-1043	1	Cam-Lockout
29	108-0023	1	Latch-Lockout
30	98-3499	1	Washer-Flat
31	107-3000	1	Link-Lockout
32	108-0024	1	Spring-Torsion
33	106-4412	1	Screw-Shoulder
34	107-3018	4	Screw-Handle
39	115-5671	1	Cable-Traction
40	115-5685	1	Cable-Auger
41	107-8896	2	Cable-Clutch
42	107-1005	1	Rod-Shift
45	112-8126	1	Decal-Control Panel



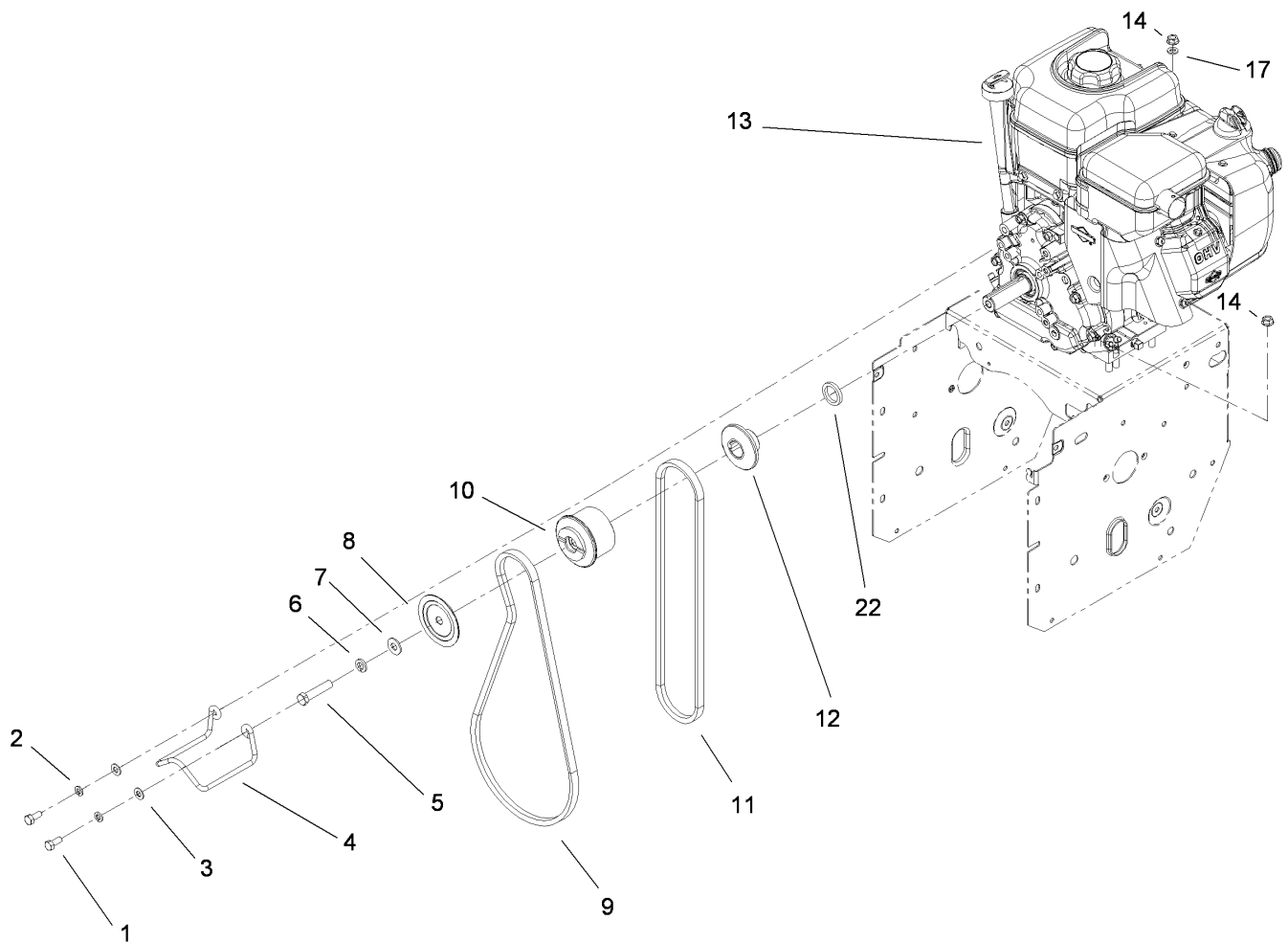
## Handle and Control Assembly

<i>Ref.</i>	<i>Part Number</i>	<i>Qty.</i>	<i>Description</i>	<i>Ref.</i>	<i>Part Number</i>	<i>Qty.</i>	<i>Description</i>
2	3229-30	2	Screw-CARR	16	108-0037-03	1	Handle-Upper, LH
3	46-8092	2	Screw-Plastite	17	105-9981-03	1	Handle-Lower
4	105-9987	2	Support-Rod	18	32144-14	4	Screw-HWHTF
5	106-7283	1	Rod-Chute, Front	19	3290-475	4	Washer-Belleville
6	3296-73	2	Nut-Lock, NI	20	92-2260	4	Screw-Handle
7	108-0038-03	1	Handle-Upper, RH	24	106-4510	1	Headlamp ASM
8	95-4453	2	Screw	24:1	108-0008	1	Lamp-12 Volt
9	106-4509	2	Clamp-Cable	25	107-3024	1	Clamp
10	87-6630	2	Washer-Plain	26	107-1020-03	1	Bracket-Light
11	3296-73	2	Nut-Lock, NI	27	3296-73	2	Nut-Lock, NI
12	107-3844	4	Washer	28	3256-1	2	Washer-Flat
13	3296-72	4	Nut-Lock, NI	29	106-4511	1	Harness-Wire
14	106-4586	1	Cover-Panel, Control	30	614249	2	Strap-Tie
15	94-4496	2	Screw-PPH	31	110-3408	1	Stick-Cleanout



## Lever Chute Control Assembly

<b>Ref.</b>	<b>Part Number</b>	<b>Qty.</b>	<b>Description</b>
1	94-4496	6	Screw-PPH
3	105-9982	1	Spring-Torsion
4	105-9984	1	Trigger-Latch
5	105-9985	1	Link-Latch
6	105-9988	1	Lever-Cable, Deflector
7	105-9995	1	Screw-Shoulder
8	106-4479	1	Rod-Control, Chute
9	106-7280	1	Cap-Lever
10	106-7281	1	Lever-Chute Control, RH
11	106-7282	1	Lever-Chute Control, LH
12	107-3002	1	Washer-Nylon
13	106-7295	1	Plate-Friction
14	106-7310	1	Pawl-Latch
15	3290-456	1	Washer-Belleville
16	3296-29	1	Nut-Lock, NI
17	105-9986	1	Cover-Chute Lever, LH
18	106-7292	1	Cover-Chute Lever, RH
19	105-9989	1	Cable-Release, Chute
20	105-9990	1	Cable-Control, Deflector

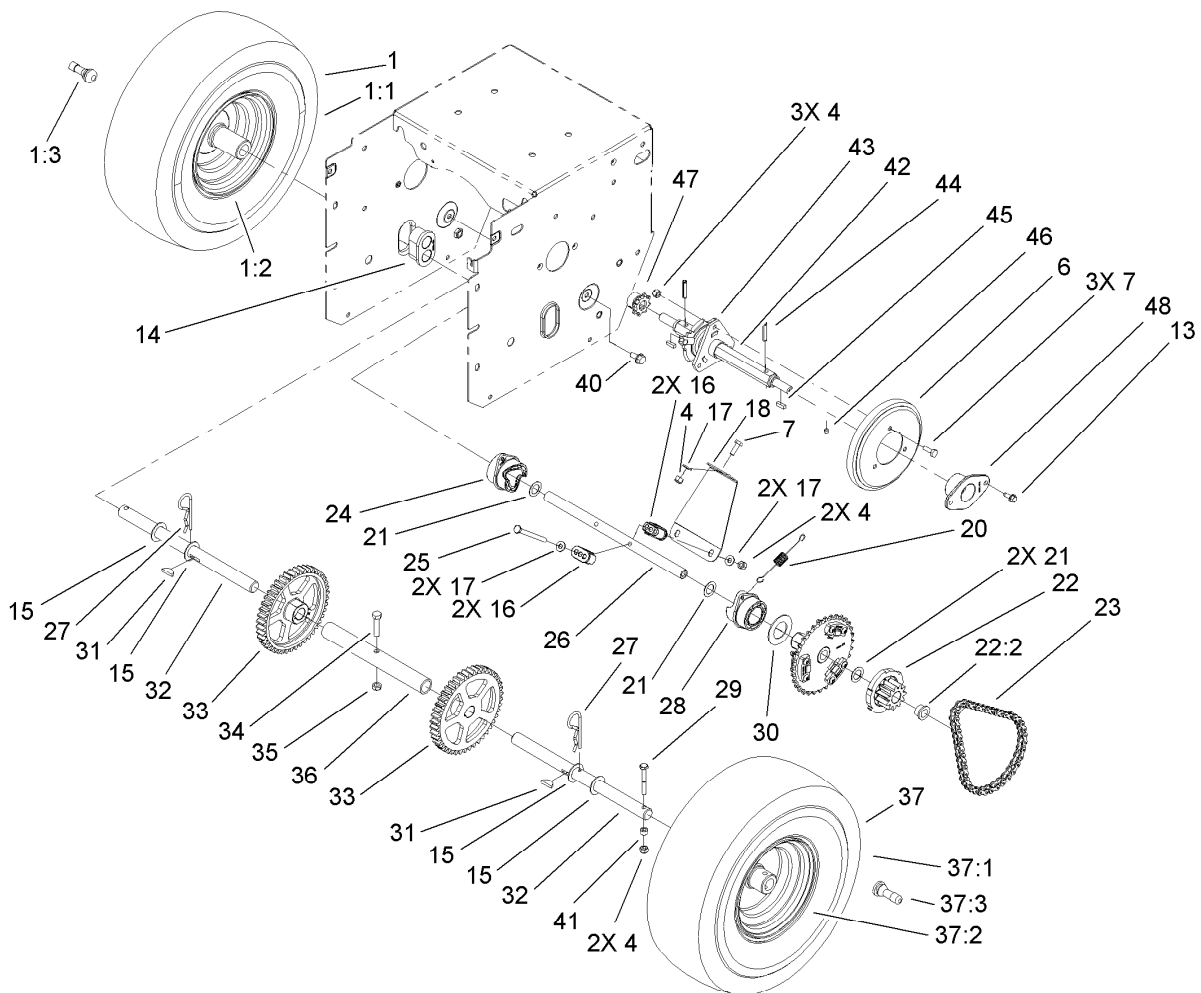


## Engine Assembly

Ref.	Part Number	Qty.	Description
1	3210-3	2	Screw-HH
2	3253-4	2	Washer-Lock
3	3256-23	2	Washer-Flat
4	107-3835	1	Guide-Belt
5	3212-8	1	Screw-HH
6	3253-6	1	Washer-Lock
7	3256-4	1	Washer-Flat
8	62-0940	1	Sheave-Half, Impeller
9	106-4498	1	Belt-V
10	106-7333	1	Pulley-Engine, Center
11	94-8812	1	V Belt-Traction
12	106-7334	1	Sheave-Half, Traction
13		1	Engine-Briggs, 21P214-0120-E1 ●■
14	32128-20	4	Nut-HF
17	3256-2	1	Washer-Flat
22	115-5666	1	Spacer-Hardened

● Not serviced separately

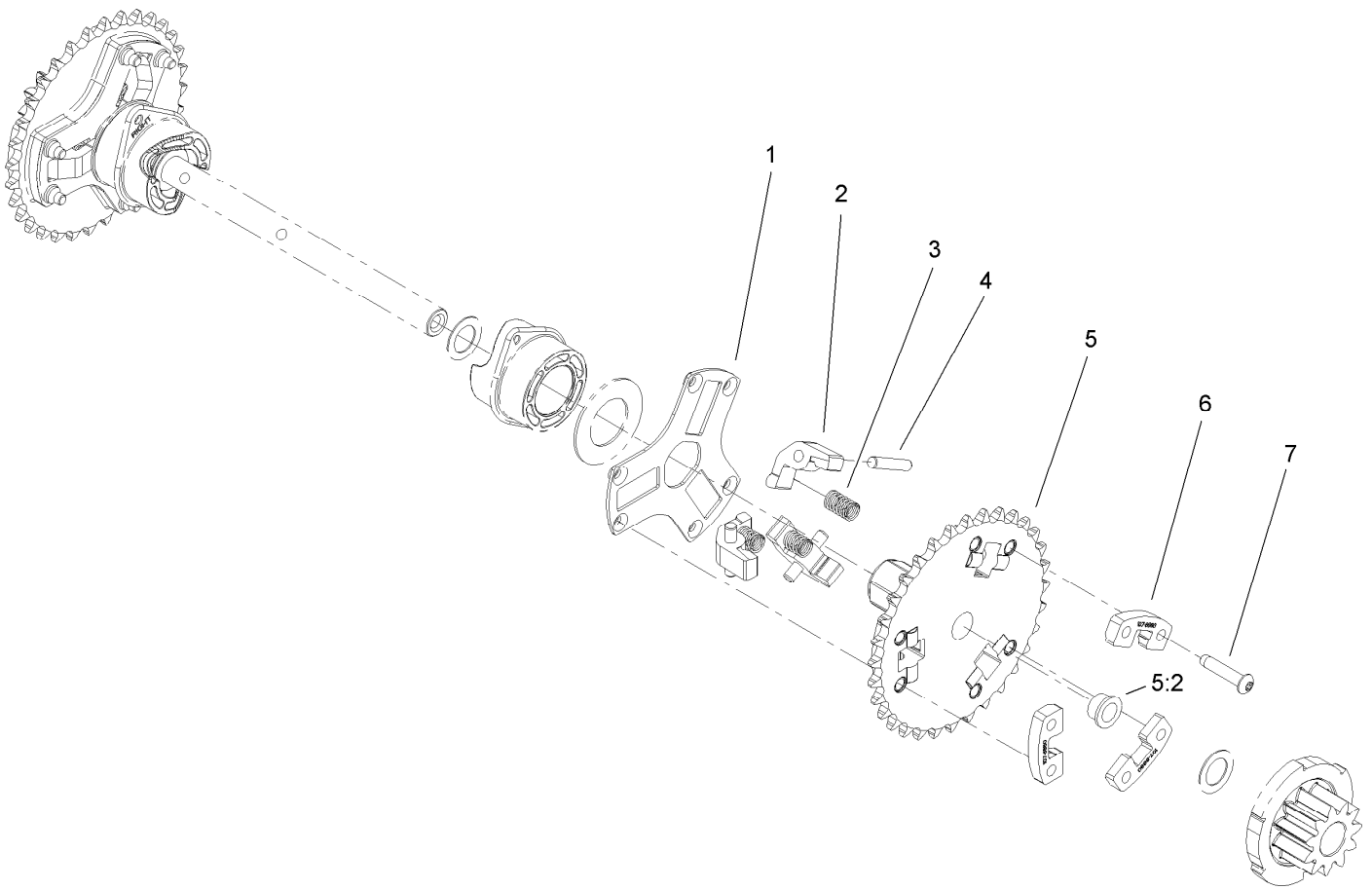
■ Obtain parts from [www.briggsandstratton.com](http://www.briggsandstratton.com)



## Wheel Clutch Assembly

Ref.	Part Number	Qty.	Description	Ref.	Part Number	Qty.	Description
1		1	RH Wheel And Tire ASM ●	28	107-8887	1	Collar-Shift, LH
1:1	107-3042	1	Tire	29	108-2975	2	Screw-HH
1:2	107-3043	1	Rim-Tire	30	107-8891	2	Washer-Thrust
1:3	232-27	1	Stem-Valve	31	3257-7	2	Key-Woodruff
4	3296-42	8	Nut-Lock, NI	32	107-8898	2	Shaft-Axle
6	106-4480	1	Wheel-Friction	33	106-4572	2	Gear-Axle, 44 Tooth
7	321-4	4	Screw-HH	34	322-17	1	Screw-HH
13	32144-10	4	Screw-HWH	35	3296-47	1	Nut-Lock, NI
14	106-4558	2	Bearing-Axle	36	106-7259	1	Tube-Axle
15	3-8664	4	Washer-Thrust	37		1	LH Wheel And Tire ASM ●
16	107-8889	4	Guide-Collar	37:1	107-3042	1	Tire
17	3256-22	5	Washer-Flat	37:2	107-3043	1	Rim-Tire
18	107-8892-03	1	Brace-Collar, Shift	37:3	232-27	1	Stem-Valve
20	107-8893	2	Spring-Extension	40	32144-14	2	Screw-HWHTF
21	108-0015	4	Washer-Flat	41	55-9370	2	Spacer-Blade, Rotor
22	107-8894	2	11T Gear ASM	42	108-7314	1	Shaft-Hex
22:2	108-2973	2	Bushing-Flange	43	106-4434	1	Trunion-Hex
23	108-0016	2	Chain-Roller	44	32121-9	2	Pin-Roll, Slotted
23	2710-6	2	Link-Connecting	45	94-8850	2	Key-Square
24	107-8888	1	Collar-Shift, RH	46	3245-32	4	Screw-HSH
25	321-23	2	Screw-HH	47	106-7317	2	Sprocket-8 Tooth
26	107-8883	1	Shaft-Intermediate	48	108-7319	2	Retainer-Bearing
27	3290-343	2	Pin-Hair				

● Not serviced separately



## Wheel Clutch Sprocket Assembly

<i>Ref.</i>	<i>Part Number</i>	<i>Qty.</i>	<i>Description</i>
1	107-8886	2	Retainer-Pin, Pawl
2	107-8879	6	Pawl-Clutch
3	107-8885	6	Spring-Compression
4	107-8899	6	Pin-Dowel
5	107-8895	2	32T Sprocket ASM
5:2	108-2973	2	Bushing-Flange
6	107-8880	6	Support-Pawl
7	108-0035	12	Screw-Torx Button Head

# Attachments and Accessories

## For 38657 Power Max 1128 OXE Snowthrower

<b>Product Name</b>	<b>Model/Part</b>
Tire Chain Kit .....	107-3813
Snow Cab .....	107-3814
Weight Kit .....	107-3815
28 inch Drift Breaker .....	107-3817
Drive Shield Kit .....	115-5699

**Notes:**



**Count on it.**