



Count on it.

Parts Catalog

**Power Max 1028 OXE
Snowthrower**

Model No. 38644—Serial No. 31000001 and Up

Ordering Replacement Parts

To order replacement parts, please supply the part number, the quantity, and the description of each part desired.

Understanding Reference Numbers

Each identified part in an illustration has a reference number. The reference number for a part also appears in the parts list, along with other information about the part.

This catalog uses two special reference number formats, one to indicate parts in a service assembly and another to indicate the quantity of a given part in an illustration.

Service Assembly Reference Numbers

Parts in service assemblies have reference numbers in the form a:b. The a represents the reference number of the entire service assembly and the b represents a sequential number unique to each part within the service assembly.

For example, a wheel assembly might be identified by reference number 6, the tire by 6:1, the valve by 6:2, and the wheel by 6:3. When you order the assembly identified by reference number 6, you receive all parts identified by reference numbers 6:1, 6:2, and 6:3. However, you may also order any part individually. Reference numbers of this type appear in illustration and in parts lists.

Reference Numbers Indicating Quantity

In an illustration, if a reference number indicates more than one part, the reference number has the form nX y. The n represents the quantity of the part, the X is the multiplication symbol, and the y represents the reference number.

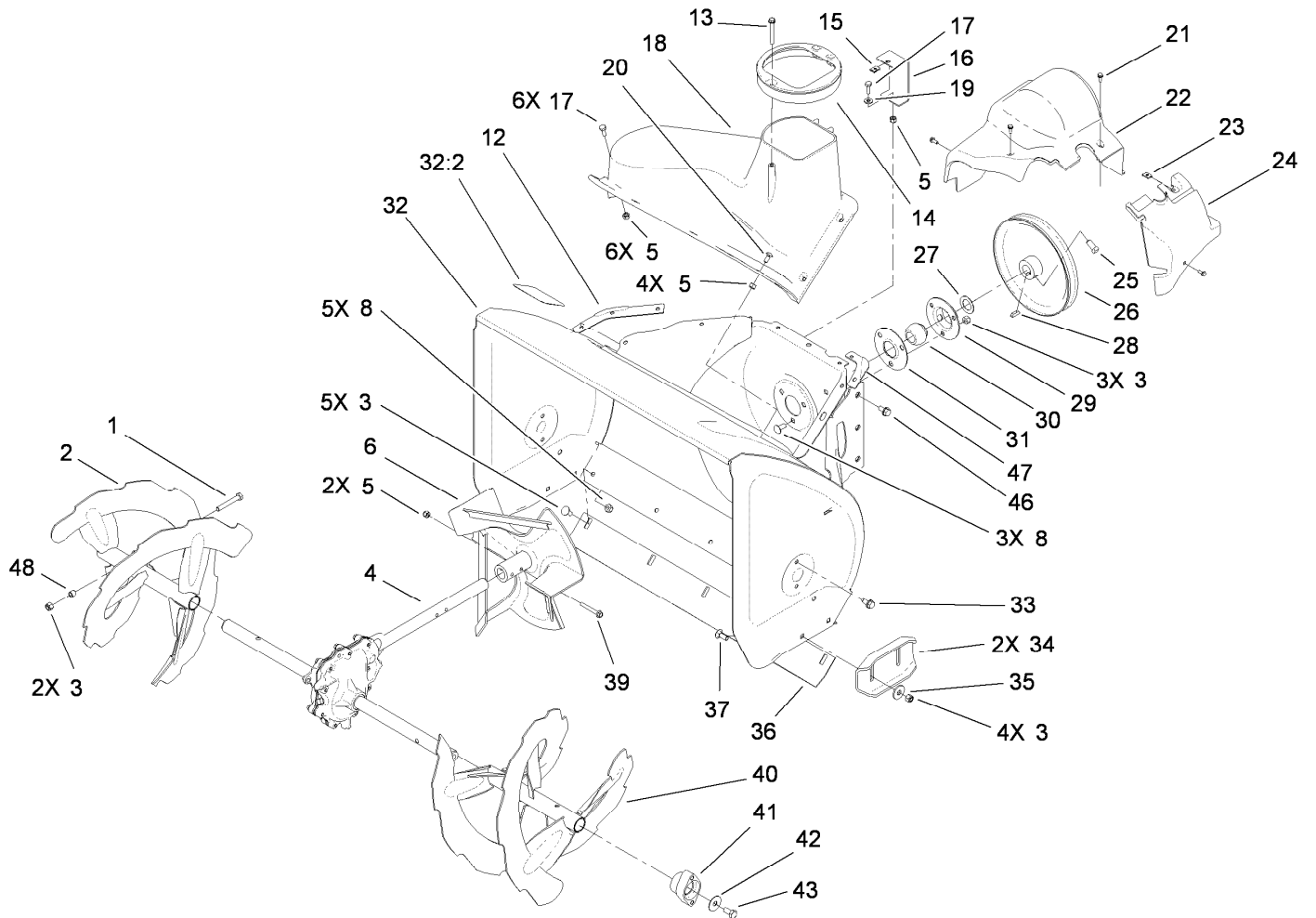
For example, in an illustration, the reference number 2X 37 means that two of the parts identified by reference number 37 are indicated.

List of Abbreviations

AR: as required	HLH: hex lag head	RRB: rear roller brush
ASM: assembly	HOC: height-of-cut	SFH: slotted fillister head
BBC: blade brake control	HSBH: hex socket button head	SHH: slotted hex head
BHTF: button head thread forming	HSFH: hex socket flat head	SHWH: slotted hex washer head
CARR: carriage	HSH: hex socket head	SPH: slotted pan head
CCW: counter clockwise	HWH: hex washer head	SQH: square head
CCW: counter clock wise	HWTF: hex washer head thread forming	SRH: slotted round head
CW: clockwise	HWTF: hex washer head thread forming	STD: standard
CW: clockwise	HYD: hydraulic	TAP: self tapping
DEG: degrees	LH: left hand	TTH: torx truss head
ECM: electronic control module	NI: nylon insert	
ECM: electronic control module	NPTF: national pipe thread fine	
EXT: external	PFH: phillips flat head	
FH: flat head	PPH: phillips pan head	
GA: gauge	PPHTF: phillips pan head thread forming	
HD: heavy-duty	PRH: phillips round head	
HF: hex flange	PTH: phillips truss head	
HH: hex head	PTO: power-take-off	
HHF: hex head flange	RH: right hand	
HHFTF: hex head flange thread forming	ROPS: roll-over protection system	
HJ: hex jam		

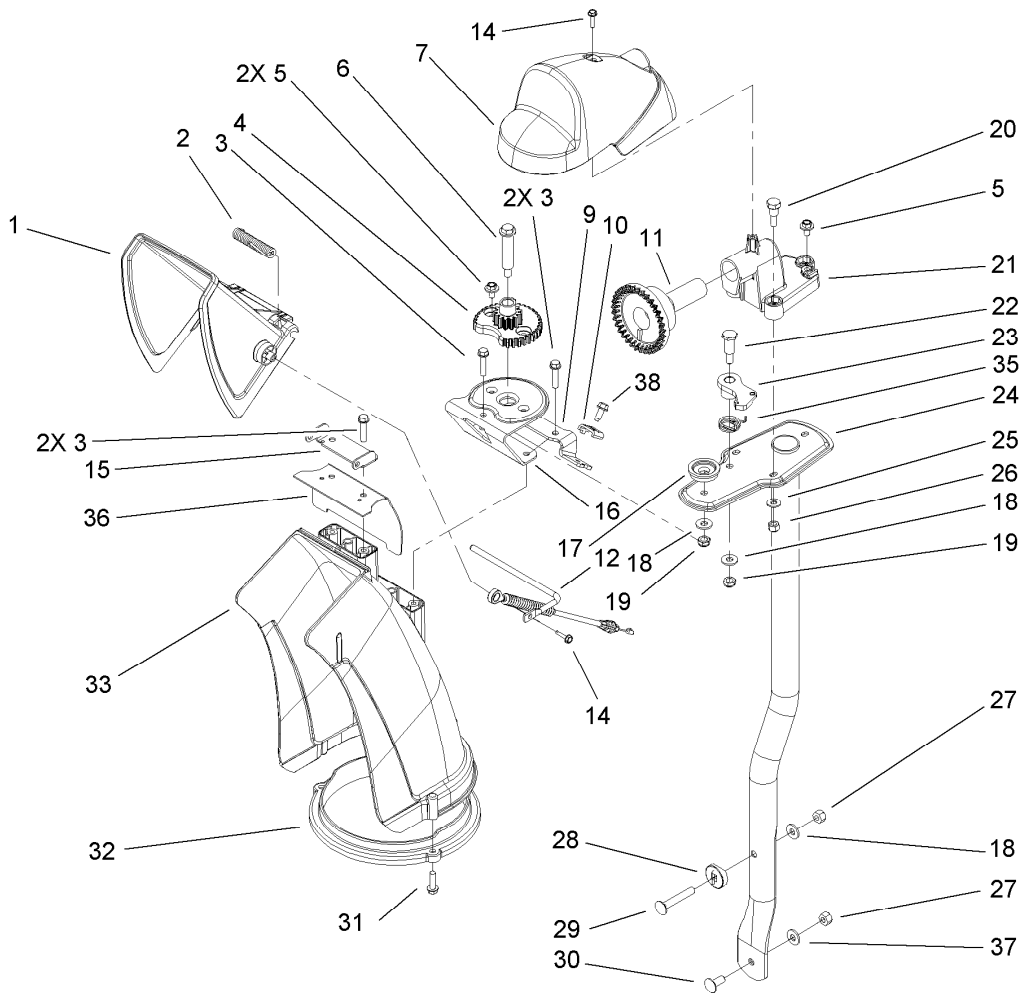
Contents

Auger and Housing Assembly	4
Chute Assembly	5
Frame Assembly	6
Upper Handle and Control Assembly	7
Lower Handle and Headlamp Assembly	8
Lever Chute Control Assembly	9
Engine Assembly	10
Wheel Clutch Assembly	11
Wheel Clutch Sprocket Assembly	12
Attachments and Accessories	13



Auger and Housing Assembly

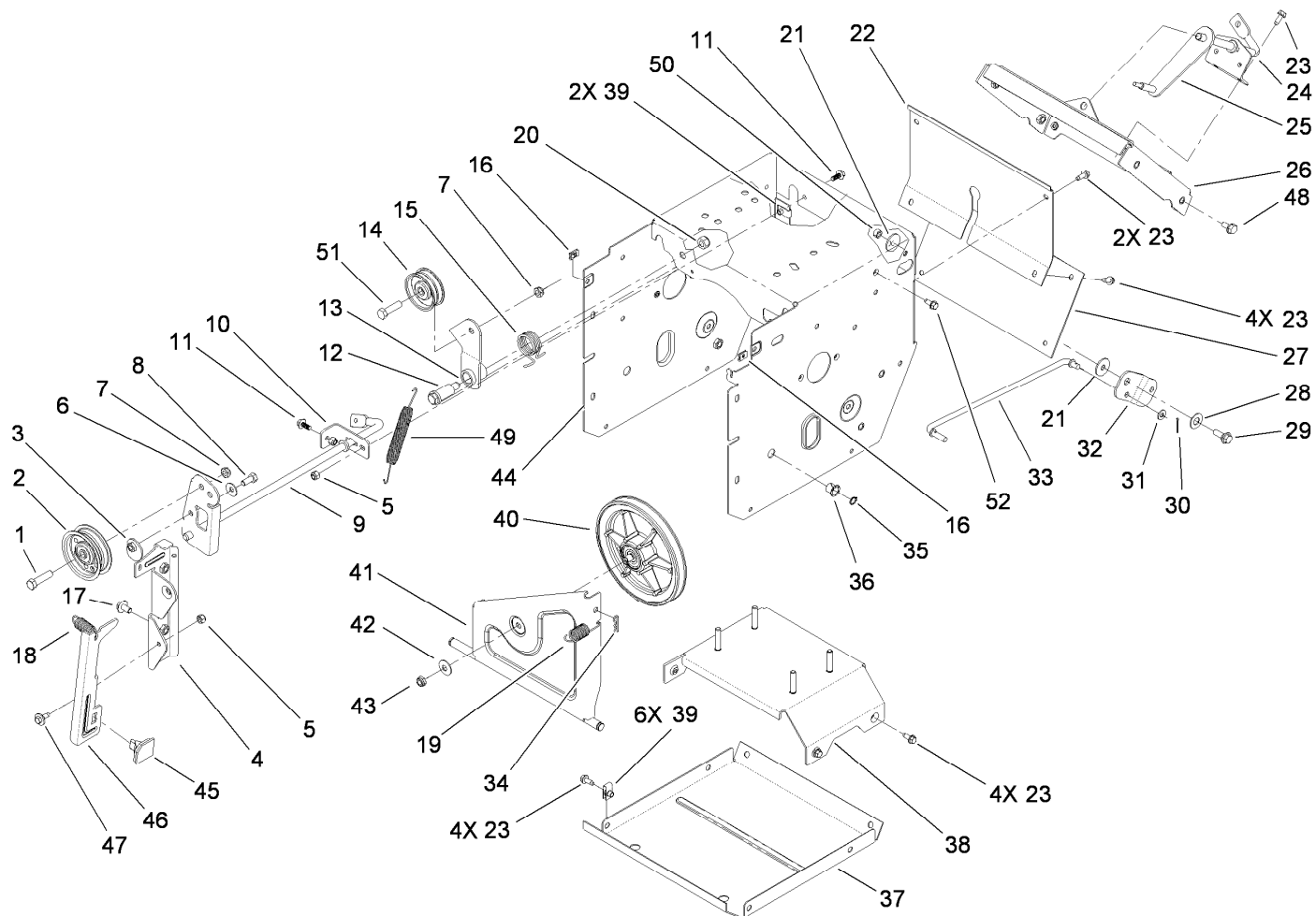
<i>Ref.</i>	<i>Part Number</i>	<i>Qty.</i>	<i>Description</i>	<i>Ref.</i>	<i>Part Number</i>	<i>Qty.</i>	<i>Description</i>
1	322-11	2	Screw-HH	26	62-1300	1	Pulley-Impeller
2	106-7291-03	1	Auger-RH	27	252-80	1	Washer-Thrust
3	3296-29	14	Nut-Lock, NI	28	3257-23	1	Key-Woodruff
4	108-7329	1	28 Inch Auger Gearcase ASM	29	26-6110	1	Flange-Cup, Bearing
5	3296-42	13	Nut-Lock, NI	30	63-3450	1	Bearing-Ball
6	106-4576-03	1	Impeller ASM	31	26-6120	1	Flange-Cup, Bearing
8	3230-23	8	Screw-CARR	32	107-3824	1	Housing-Auger, 28 Inch
12	107-1017-03	1	Seal-Flange, Cover	32:2	107-3040	1	Decal-Danger, Auger
13	107-3003	1	Screw-Plastite	33	32144-70	4	Screw-HWHTF
14	107-3006	1	Guide-Chute	34	106-4588-01	2	Skid
15	107-1013	1	Nut-Speed, U-Type	35	52-2861	4	Washer
16	107-1014-03	1	Bracket-Cover, Clip Nut	36	106-4573-01	1	Scraper-Fixed
17	321-4	7	Screw-HH	37	3230-16	4	Screw-CARR
18	108-0017	1	Cover	39	321-44	2	Screw-HHF
19	3256-22	1	Washer-Flat	40	106-7301-03	1	LH Auger ASM
20	3229-1	4	Screw-CARR	41	106-4570	2	Auger-Bearing
21	32144-112	4	Screw-HWH	42	3-0750	2	Washer
22	107-1001	1	Cover-Belt	43	323-4	2	Screw-HH
23	701493	1	Nut-Speed	46	32144-14	6	Screw-HWHTF
24	107-1016	1	Cover-Extension, Belt	47	108-0039-03	1	Seal
25	3242-4	2	Screw-Set, SQH	48	1-633545	2	Spacer



Chute Assembly

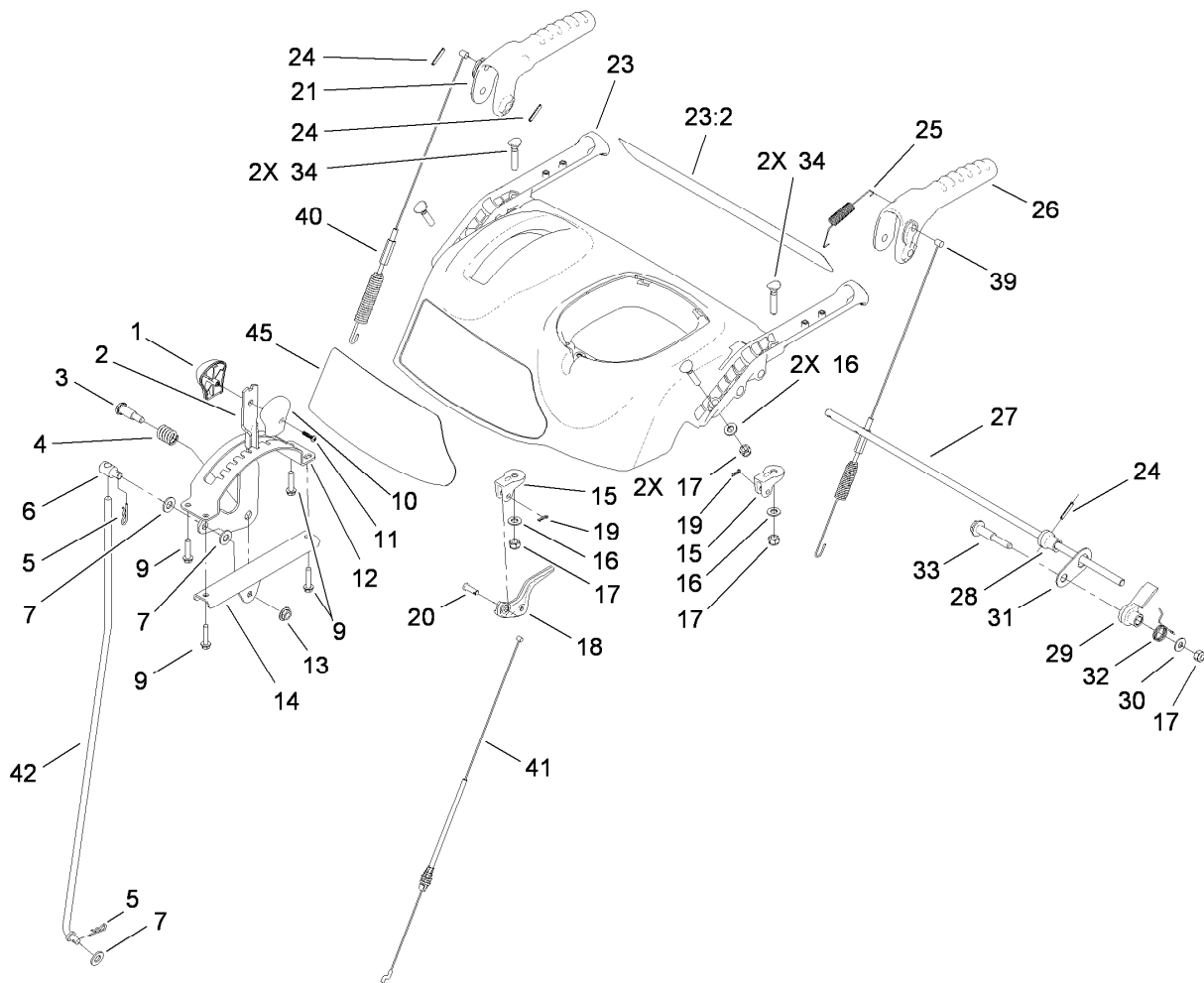
<i>Ref.</i>	<i>Part Number</i>	<i>Qty.</i>	<i>Description</i>
1	112-6629	1	Deflector-Chute, Ce
2	106-4594	1	Spring-Torsion
3	46-8092	5	Screw-Plastite
4	106-4472	1	Gear-Chute
5	46-6810	3	Screw And Washer ASM
6	100-9880	1	Bolt-Shoulder
7	106-4585	1	Cover-Gear, Chute
9	106-7296	1	Bracket-Cable, Clamp
10	106-7297	1	Clamp-Cable
11	106-4471	1	Gear-Face
12	107-1021	1	Rod-Deflector
14	98-1375	2	Screw-HWH
15	106-7266	1	Bracket-Deflector
16	106-4582-03	1	Bracket-Support, Chute
17	106-4422	1	Spacer-Chute
18	3256-2	3	Washer-Flat
19	3296-47	2	Nut-Lock, NI
20	106-7276	3	Screw-Shoulder

<i>Ref.</i>	<i>Part Number</i>	<i>Qty.</i>	<i>Description</i>
21	106-7257	1	Mount-Gear, Face
22	63-2650	1	Screw-Shoulder
23	106-4476	1	Latch-Chute
24	106-7253-03	1	Tube-Support
25	3256-22	3	Washer-Flat
26	3296-42	3	Nut-Lock, NI
27	3296-29	2	Nut-Lock, NI
28	106-7260	1	Washer-Curved
29	3230-5	1	Screw-CARR
30	3230-23	1	Screw-CARR
31	46-8091	3	Screw-HWH
32	105-9991	1	Ring-Chute
33	106-4440	1	Chute-Discharge
35	108-7315	1	Spring-Torsion
36	108-5052	1	Seal-Chute
37	3290-456	1	Washer-Belleville
38	32144-10	1	Screw-HWH



Frame Assembly

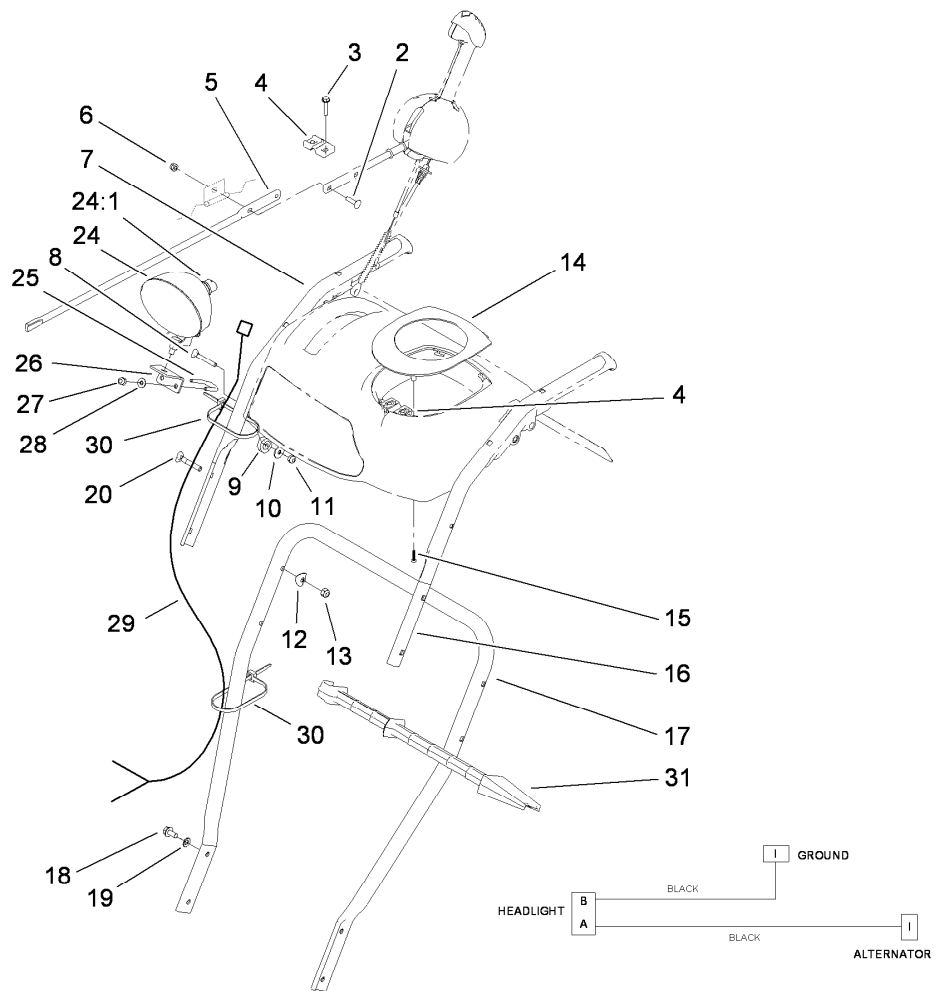
Ref.	Part Number	Qty.	Description	Ref.	Part Number	Qty.	Description
1	323-8	1	Screw-HH	27	106-7345-01	1	Cover-Lower
2	92-7104	1	Pulley-Idler	28	25-5640	1	Washer
3	107-1047	1	Nut	29	27-0410	1	Screw-Shoulder
4	107-1039	1	Bracket-Idler, Impeller	30	3272-4	1	Pin-Cotter
5	3296-42	3	Nut-Lock, NI	31	3256-23	1	Washer-Flat
6	3290-456	1	Washer-Belleville	32	107-1011	1	Bellcrank-Drive
7	3296-59	2	Nut-Lock, NI	33	106-4467	1	Link-Control, Speed
8	322-3	1	Screw-HH	34	3290-307	1	Pin-Hair
9	107-3838-03	1	Impeller Clutch ASM	35	32151-61	2	Ring-Retaining
10	106-7341	1	Bracket-Rear, Clutch	36	256-257	2	Bushing-Nyliner
11	99-6810	2	Screw-HH	37	106-7330-01	1	Pan-Bottom
12	108-5056	1	Bolt-Shoulder	38	112-8127	1	Frame Brace ASM
13	108-5058	1	Arm-Idler, Traction	39	107069	8	Clip
14	3-4244	1	Pulley-Idler	40	108-0031	1	Traction Pulley ASM
15	108-7332	1	Spring-Torsion	41	108-7307	1	Friction Wheel Bracket ASM
16	107-1013	2	Nut-Speed, U-Type	42	3290-340	1	Washer-Belleville
17	3234-7	2	Screw-HHF	43	3296-5	1	Nut-Lock
18	107-1045	1	Spring-Extension	44	114-9259-01	1	Traction Frame ASM
19	107-1003	1	Spring-Extension	45	66-8060	1	Pad-Brake
20	3296-76	1	Nut-Lock, NI	46	107-1000	1	Arm-Brake
21	5-4460	2	Washer-Pivot	47	92-9698	1	Screw-Shoulder
22	108-0022-01	1	Cover-Upper	48	32144-14	4	Screw-HWHTF
23	32144-10	16	Screw-HWH	49	108-2976	1	Spring-Extension
24	108-0036	1	Bracket-Rod, Shift	50	3296-29	1	Nut-Lock, NI
25	106-7268	1	Lever-Control, Traction	51	323-29	1	Screw-HH
26	108-0026-01	1	Shift Plate ASM	52	32144-4	1	Screw-HWH



Upper Handle and Control Assembly

Ref.	Part Number	Qty.	Description
1	106-4423	1	Knob-Shift, RH
2	106-7278-03	1	Selector-Speed
3	63-2650	1	Screw-Shoulder
4	108-7313	1	Spring-Compression
5	3290-307	2	Pin-Hair
6	110-3446	1	Trunion-Rod
7	3256-24	3	Washer-Flat
9	46-8092	4	Screw-Plastite
10	105-9999	1	Knob-Shift, LH
11	94-4496	1	Screw-PPH
12	106-7277-03	1	Guide-Selector, Speed
13	32128-13	1	Nut-HF
14	106-7279-03	1	Mount-Selector, Speed
15	105-9980	2	Mount-Clutch, Lever
16	3256-70	4	Washer-Flat
17	3296-72	5	Nut-Lock, NI
18	106-4505	2	Lever-Clutch
19	108-2992	2	Pin-Hair
20	1-808265	2	Pin-Clevis

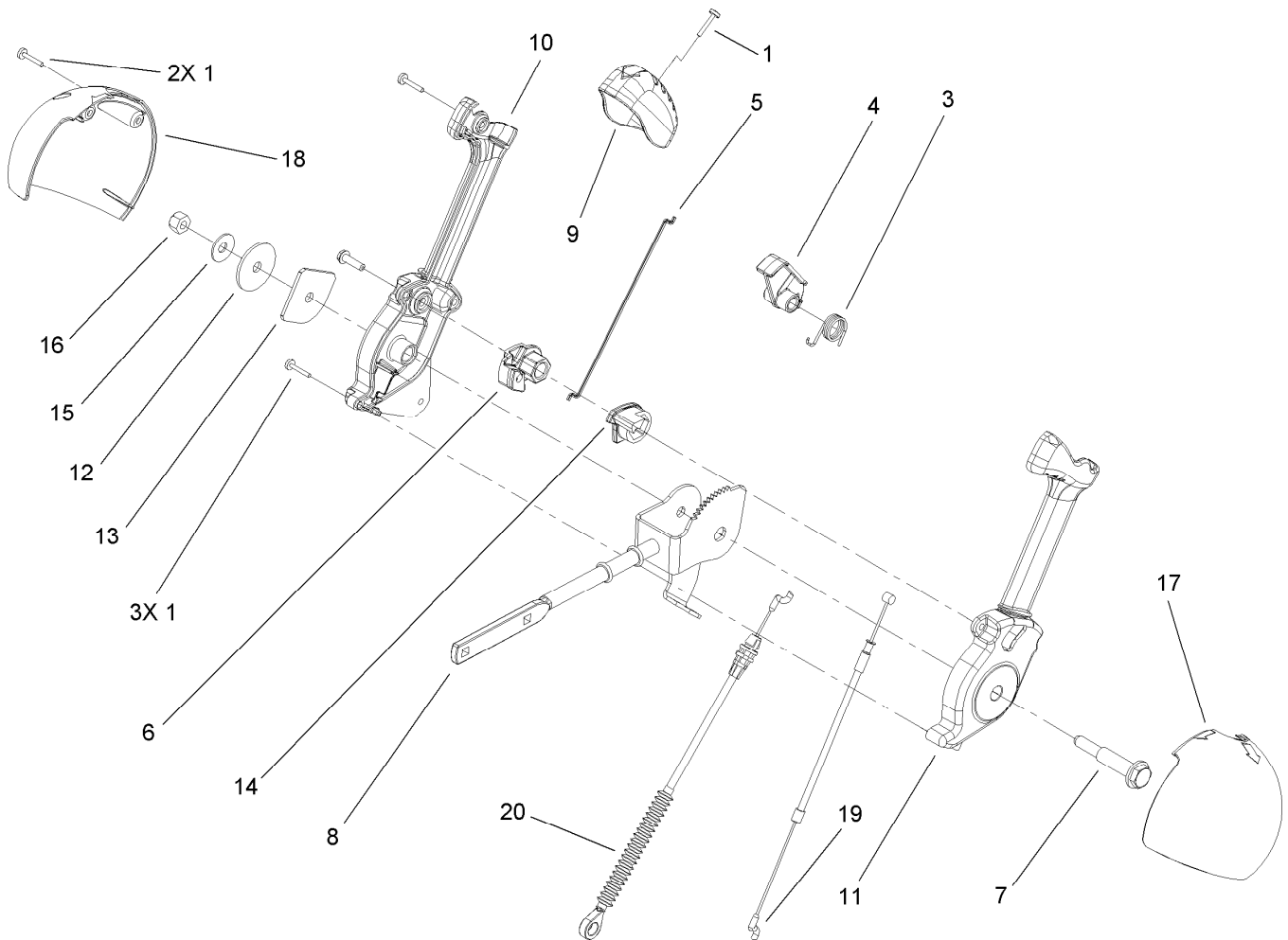
Ref.	Part Number	Qty.	Description
21	106-4413	1	Lever-Auger
23	112-6633	1	Panel-Control
23:2	112-6627	1	Decal-Back, Control Panel
24	32121-125	3	Pin-Spring
25	107-3001	1	Spring-Tension
26	106-4410	1	Lever-Traction
27	105-9996	1	Rod-Lockout
28	107-1043	1	Cam-Lockout
29	108-0023	1	Latch-Lockout
30	98-3499	1	Washer-Flat
31	107-3000	1	Link-Lockout
32	108-0024	1	Spring-Torsion
33	106-4412	1	Screw-Shoulder
34	107-3018	4	Screw-Handle
39	115-5671	1	Cable-Traction
40	115-5680	1	Cable-Auger
41	107-8896	2	Cable-Clutch
42	107-1005	1	Rod-Shift
45	117-6042	1	Decal-Control Panel



Lower Handle and Headlamp Assembly

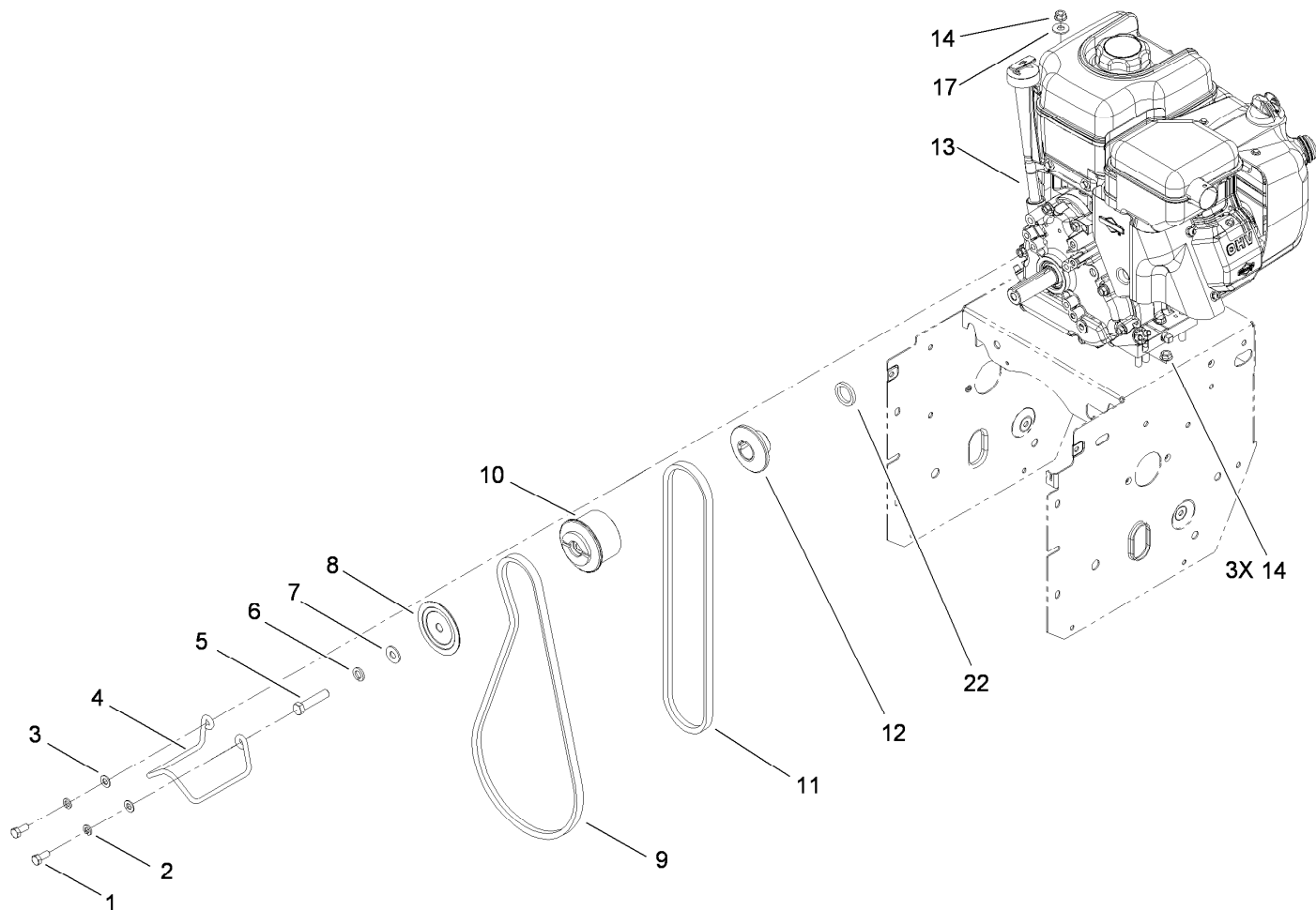
Ref.	Part Number	Qty.	Description
2	3229-30	2	Screw-CARR
3	46-8092	2	Screw-Plastite
4	105-9987	2	Support-Rod
5	106-7283	1	Rod-Chute, Front
6	3296-73	2	Nut-Lock, NI
7	108-0038-03	1	Handle-Upper, RH
8	95-4453	2	Screw
9	106-4509	2	Clamp-Cable
10	87-6630	2	Washer-Plain
11	3296-73	2	Nut-Lock, NI
12	107-3844	4	Washer
13	3296-72	4	Nut-Lock, NI
14	106-4586	1	Cover-Panel, Control
15	94-4496	2	Screw-PPH

Ref.	Part Number	Qty.	Description
16	108-0037-03	1	Handle-Upper, LH
17	105-9981-03	1	Handle-Lower
18	32144-14	4	Screw-HWHTF
19	3290-475	4	Washer-Belleville
20	92-2260	4	Screw-Handle
24	106-4510	1	Headlamp ASM
24:1	108-0008	1	Lamp-12 Volt
25	107-3024	1	Clamp
26	107-1020-03	1	Bracket-Light
27	3296-73	2	Nut-Lock, NI
28	3256-1	2	Washer-Flat
29	106-4511	1	Harness-Wire
30	614249	2	Strap-Tie
31	110-3408	1	Stick-Cleanout



Lever Chute Control Assembly

<i>Ref.</i>	<i>Part Number</i>	<i>Qty.</i>	<i>Description</i>
1	94-4496	6	Screw-PPH
3	105-9982	1	Spring-Torsion
4	105-9984	1	Trigger-Latch
5	105-9985	1	Link-Latch
6	105-9988	1	Lever-Cable, Deflector
7	105-9995	1	Screw-Shoulder
8	106-4479	1	Rod-Control, Chute
9	106-7280	1	Cap-Lever
10	106-7281	1	Lever-Chute Control, RH
11	106-7282	1	Lever-Chute Control, LH
12	107-3002	1	Washer-Nylon
13	106-7295	1	Plate-Friction
14	106-7310	1	Pawl-Latch
15	3290-456	1	Washer-Belleville
16	3296-29	1	Nut-Lock, NI
17	105-9986	1	Cover-Chute Lever, LH
18	106-7292	1	Cover-Chute Lever, RH
19	105-9989	1	Cable-Release, Chute
20	105-9990	1	Cable-Control, Deflector

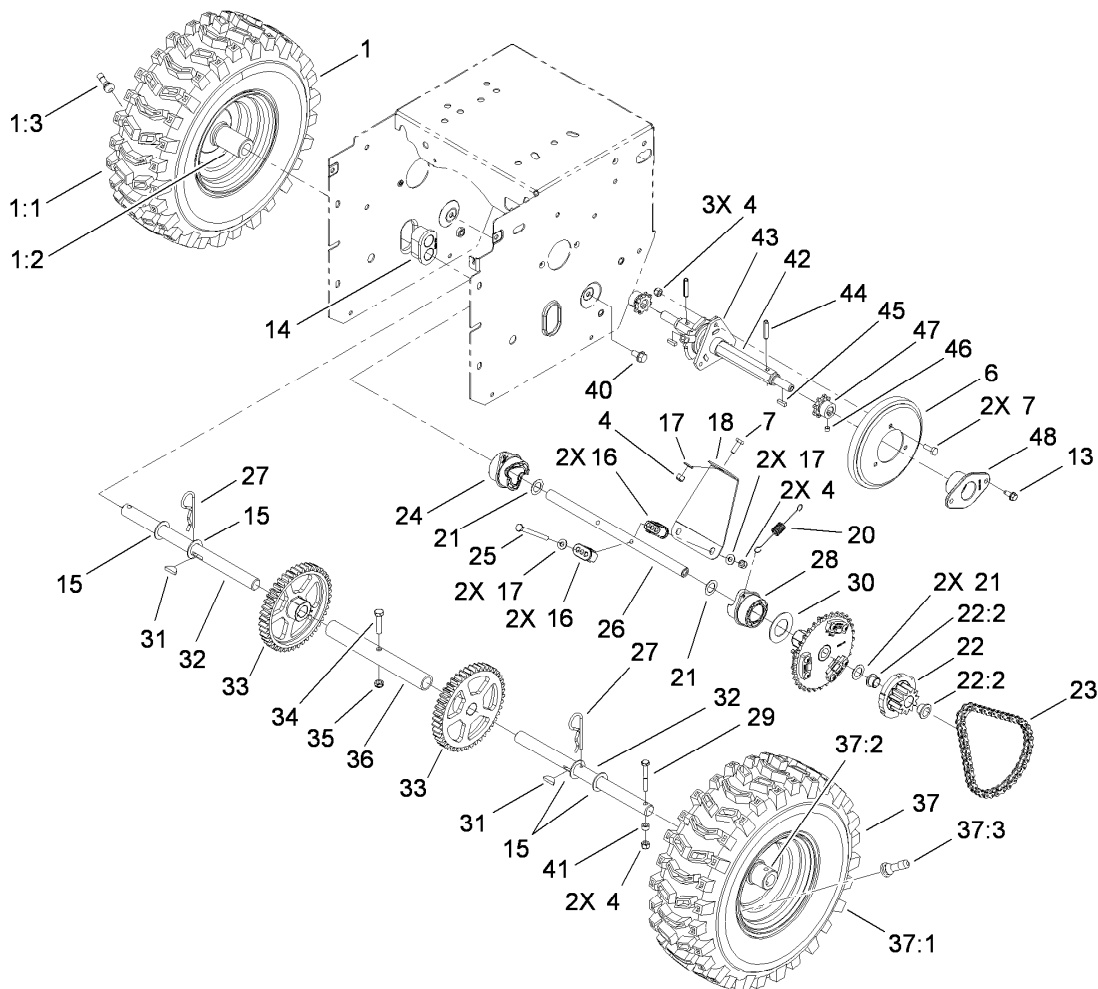


Engine Assembly

Ref.	Part Number	Qty.	Description
1	3210-3	2	Screw-HH
2	3253-4	2	Washer-Lock
3	3256-23	2	Washer-Flat
4	107-3835	1	Guide-Belt
5	3212-8	1	Screw-HH
6	3253-6	1	Washer-Lock
7	3256-4	1	Washer-Flat
8	62-0940	1	Sheave-Half, Impeller
9	106-4498	1	Belt-V
10	106-7333	1	Pulley-Engine, Center
11	94-8812	1	V Belt-Traction
12	106-7334	1	Sheave-Half, Traction
13		1	Engine-B & S, 20P414-0111-E1 ●■
14	32128-20	4	Nut-HF
17	3256-2	1	Washer-Flat
22	115-5666	1	Spacer-Hardened

● Not serviced separately

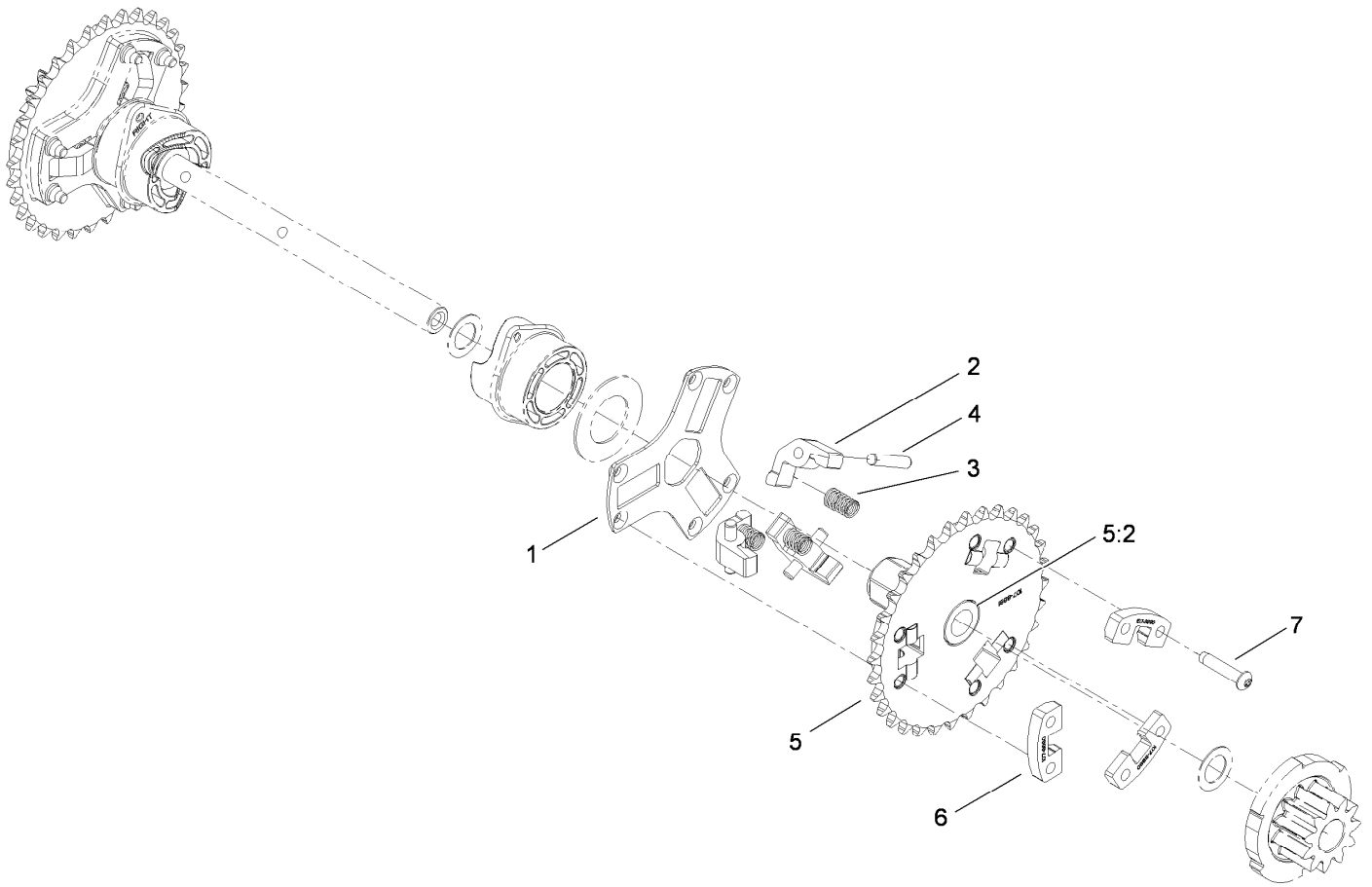
■ Obtain parts from www.tecumsehpower.com



Wheel Clutch Assembly

Ref.	Part Number	Qty.	Description	Ref.	Part Number	Qty.	Description
1		1	RH Wheel And Tire ASM ●	28	107-8887	1	Collar-Shift, LH
1:1	107-3042	1	Tire	29	108-2975	2	Screw-HH
1:2	107-3043	1	Rim-Tire	30	107-8891	2	Washer-Thrust
1:3	232-27	1	Stem-Valve	31	3257-7	2	Key-Woodruff
4	3296-42	8	Nut-Lock, NI	32	107-8898	2	Shaft-Axle
6	106-4480	1	Wheel-Friction	33	106-4572	2	Gear-Axle, 44 Tooth
7	321-4	4	Screw-HH	34	322-17	1	Screw-HH
13	32144-10	4	Screw-HWH	35	3296-47	1	Nut-Lock, NI
14	106-4558	2	Bearing-Axle	36	106-7259	1	Tube-Axle
15	3-8664	4	Washer-Thrust	37		1	LH Wheel And Tire ASM ●
16	107-8889	4	Guide-Collar	37:1	107-3042	1	Tire
17	3256-22	5	Washer-Flat	37:2	107-3043	1	Rim-Tire
18	107-8892-03	1	Brace-Collar, Shift	37:3	232-27	1	Stem-Valve
20	107-8893	2	Spring-Extension	40	32144-14	2	Screw-HWHTF
21	108-0015	4	Washer-Flat	41	55-9370	2	Spacer-Blade, Rotor
22	107-8894	2	11T Gear ASM	42	108-7314	1	Shaft-Hex
22:2	108-2973	2	Bushing-Flange	43	106-4434	1	Trunion-Hex
23	108-0016	2	Chain-Roller	44	32121-9	2	Pin-Roll, Slotted
23	2710-6	2	Link-Connecting	45	94-8850	2	Key-Square
24	107-8888	1	Collar-Shift, RH	46	3245-32	4	Screw-HSH
25	321-23	2	Screw-HH	47	106-7317	2	Sprocket-8 Tooth
26	107-8883	1	Shaft-Intermediate	48	108-7319	2	Retainer-Bearing
27	3290-343	2	Pin-Hair				

● Not serviced separately



Wheel Clutch Sprocket Assembly

<i>Ref.</i>	<i>Part Number</i>	<i>Qty.</i>	<i>Description</i>
1	107-8886	2	Retainer-Pin, Pawl
2	107-8879	6	Pawl-Clutch
3	107-8885	6	Spring-Compression
4	107-8899	6	Pin-Dowel
5	107-8895	2	32T Sprocket ASM
5:2	108-2973	2	Bushing-Flange
6	107-8880	6	Support-Pawl
7	108-0035	12	Screw-Torx Button Head

Attachments and Accessories

For 38644 Power Max 1028 OXE Snowthrower

Product Name	Model/Part
Tire Chain Kit	107-3813
Snow Cab	107-3814
Weight Kit	107-3815
28 inch Drift Breaker	107-3817
Drive Shield Kit	115-5699
Toro 2-Stage Cover	490-7466
Plain 2-Stage Cover	490-7467

Notes:

Notes:



Count on it.