



Count on it.

Parts Catalog

Groundsmaster® 455-D

2 and 4 Wheel Drive Traction Unit

Model No. 30401—Serial No. 50001 and Up

Model No. 30450—Serial No. 50001 and Up

Model No. 30455—Serial No. 50001 and Up

Ordering Replacement Parts

To order replacement parts, please supply the part number, the quantity, and the description of each part desired.

Understanding Reference Numbers

Each identified part in an illustration has a reference number. The reference number for a part also appears in the parts list, along with other information about the part.

This catalog uses two special reference number formats, one to indicate parts in a service assembly and another to indicate the quantity of a given part in an illustration.

Service Assembly Reference Numbers

Parts in service assemblies have reference numbers in the form a:b. The a represents the reference number of the entire service assembly and the b represents a sequential number unique to each part within the service assembly.

For example, a wheel assembly might be identified by reference number 6, the tire by 6:1, the valve by 6:2, and the wheel by 6:3. When you order the assembly identified by reference number 6, you receive all parts identified by reference numbers 6:1, 6:2, and 6:3. However, you may also order any part individually. Reference numbers of this type appear in illustration and in parts lists.

Reference Numbers Indicating Quantity

In an illustration, if a reference number indicates more than one part, the reference number has the form nX y. The n represents the quantity of the part, the X is the multiplication symbol, and the y represents the reference number.

For example, in an illustration, the reference number 2X 37 means that two of the parts identified by reference number 37 are indicated.

List of Abbreviations

AR: as required

ASM: assembly

BBC: blade brake control

BHTF: button head thread forming

CARR: carriage

CCW: counter clockwise

CCW: counter clock wise

CW: clockwise

CW: clockwise

DEG: degrees

ECM: electronic control module

ECM: electronic control module

EXT: external

FH: flat head

GA: gauge

HD: heavy-duty

HF: hex flange

HH: hex head

HHF: hex head flange

HHFTF: hex head flange thread forming

HJ: hex jam

HLH: hex lag head

HOC: height-of-cut

HSBH: hex socket button head

HSFH: hex socket flat head

HSH: hex socket head

HWH: hex washer head

HWHTF: hex washer head thread forming

HWHTF: hex washer head thread forming

HYD: hydraulic

LH: left hand

NI: nylon insert

NPTF: national pipe thread fine

PFH: phillips flat head

PPH: phillips pan head

PPHTF: phillips pan head thread forming

PRH: phillips round head

PTH: phillips truss head

PTO: power-take-off

RH: right hand

ROPS: roll-over protection system

RRB: rear roller brush

SFH: slotted fillister head

SHH: slotted hex head

SHWH: slotted hex washer head

SPH: slotted pan head

SQH: square head

SRH: slotted round head

STD: standard

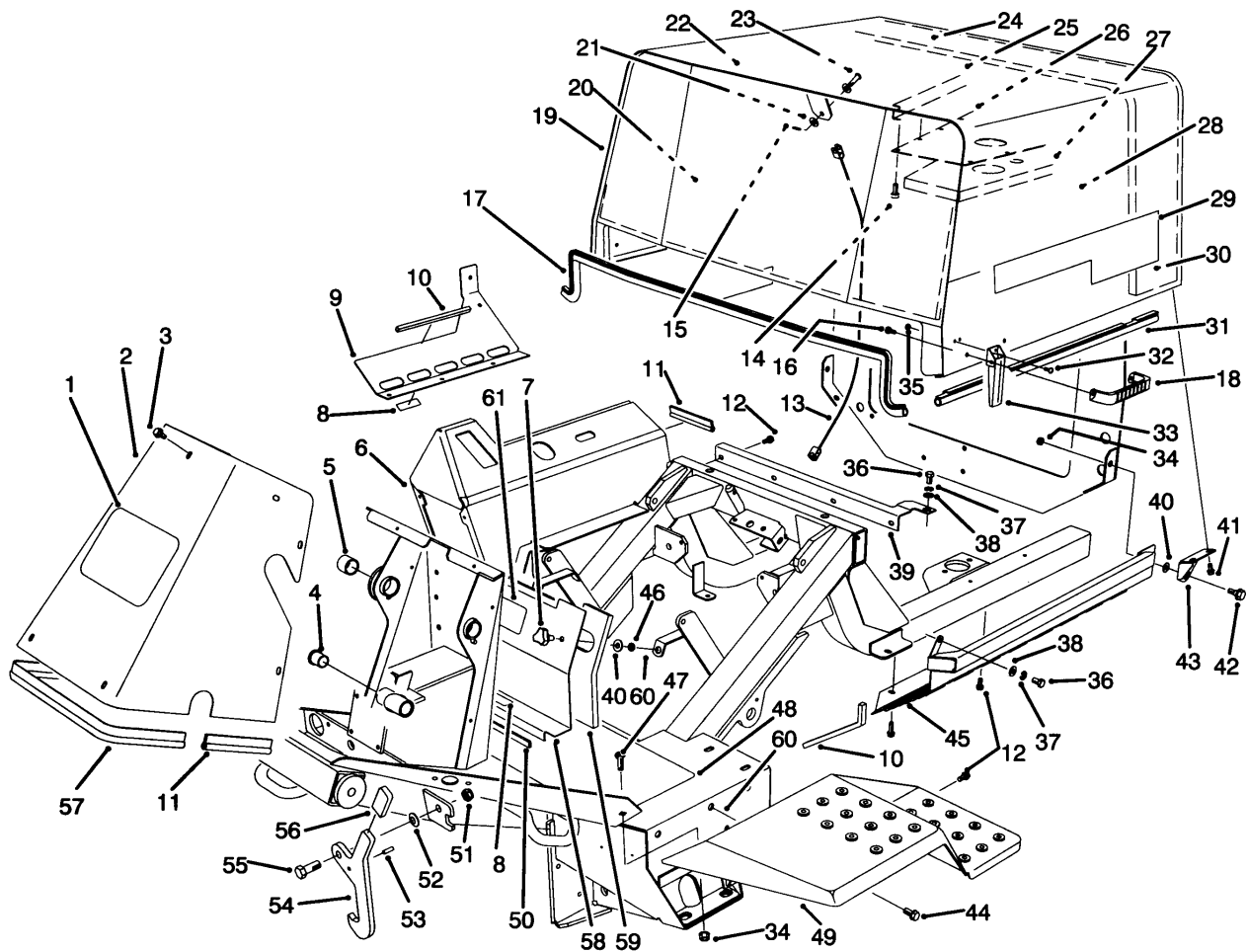
TAP: self tapping

TTH: torx truss head

Contents

Frame and Body Assembly	5
Front Transaxle Installation Assembly	7
Transaxle Assembly No. 88-1260	9
Hydraulic Motor No. 92-2556	11
Front Axle Assembly	12
Brake Linkage Assembly	13
Traction and Brake Pedals Assembly	14
Steering Tower Assembly	15
Power Steering Valve No. 92-9729	17
Seat Plate Assembly	18
Seat Assembly	19
Low Seat Assembly (optional)	20
Electrical Schematic	21
Control Console Assembly	22
Gage Panel Assembly	23
Lift Valve Installation Assembly	24
Lift Valve Assembly No. 92-7762	25
Fuel Tank Assembly	26
Fuel Filter Assembly No. 76-5300	27
Hydraulic Reservoir Assembly	28
Power-Take-Off Shaft and Clutch Assembly	29
Clutch Assembly No. 86-5610	30
Hydraulic Pump Installation Assembly	31
Gear Pump Assembly No. 92-7761	33
Traction Pump Assembly No. 86-5590	34
Hydraulic Pump Fittings Assembly	35
Engine and Battery Installation Assembly	36
Engine Plumbing Assembly	37
Muffler and Air Cleaner Installation Assembly	38
PCV Valve Plumbing Assembly	39
Crankcase Assembly	40
Crankshaft Assembly	41
Cylinder Head Assembly	42
Camshaft and Fan Support Assembly	45
Belt Cover Assembly	46
Intake and Exhaust Manifold Assembly	47
Oil Pump Assembly	48
Collector Assembly	49
Water Pump Assembly	50
Fuel Injection Pump Assembly	51
Fuel Injector Assembly	52
Alternator Assembly	53
Starter Assembly	54
Glow Plug and Glow Relay Assembly	55
Air Cleaner No. 74-6000	56
Radiator Assembly	57
Additional Weight Assembly	58
Rear Axle Assembly (model No. 30450)	59
Hydraulic Cylinder No. 92-6585 (model No. 30450)	61
Rear Axle Assembly (model No. 30455)	62
Solenoid Valve Assembly No. 76-9970 (model No. 30455 Only)	64
Hydraulic Cylinder No. 92-6584 (model No. 30455)	65
Hydraulic Motor No. 76-6580 (model No. 30455)	66
Sleeve Assembly Axle No. 74-5621 (model No. 30455 Only)	67

Axle Housing Assembly Axle No. 74-5621 (model No. 30455 Only)	68
Differential and Shaft Assembly Axle No. 74-5621 (model No. 30455 Only).	69
Steering Gear Case Assembly Axle No. 74-5621 (model No. 30455 Only)	70
Steering Arm Linkage Axle No. 74-5621 (model No. 30455 Only)	71
Lift Arm Assembly	72
Hydraulic Cylinder No. 86-5580.	73
Roll-Over Protection System Assembly (Standard For Model No. 30455, Optional For Model No. 30450)	74
Belt Tension Adjustor	75
Rear Pivot Arm Assembly	76
Wing Deck Assembly-R.h.	77
Cover Assembly	78
Spindle Assembly (wings).	79
Spindle Assembly (center)	80
Spindle Assembly (clutch).	81
Clutch Assembly No. 86-1710	82
Wing Deck Assembly-L.h.	83
Front Castor Fork Assembly	84
Center Deck Pulley Assemblies	85
Gear Shaft Mount and Drive Shaft Assembly.	86
Pivot Arm Assembly	87
Center Deck and Carrier Frame Assembly	88
Hydraulic Hose Assembly	90
Hydraulic Cylinder Assembly No. 86-2190.	91
Gear Box Assembly 86-3090	92
Drive Shaft Assembly 86-1730.	93

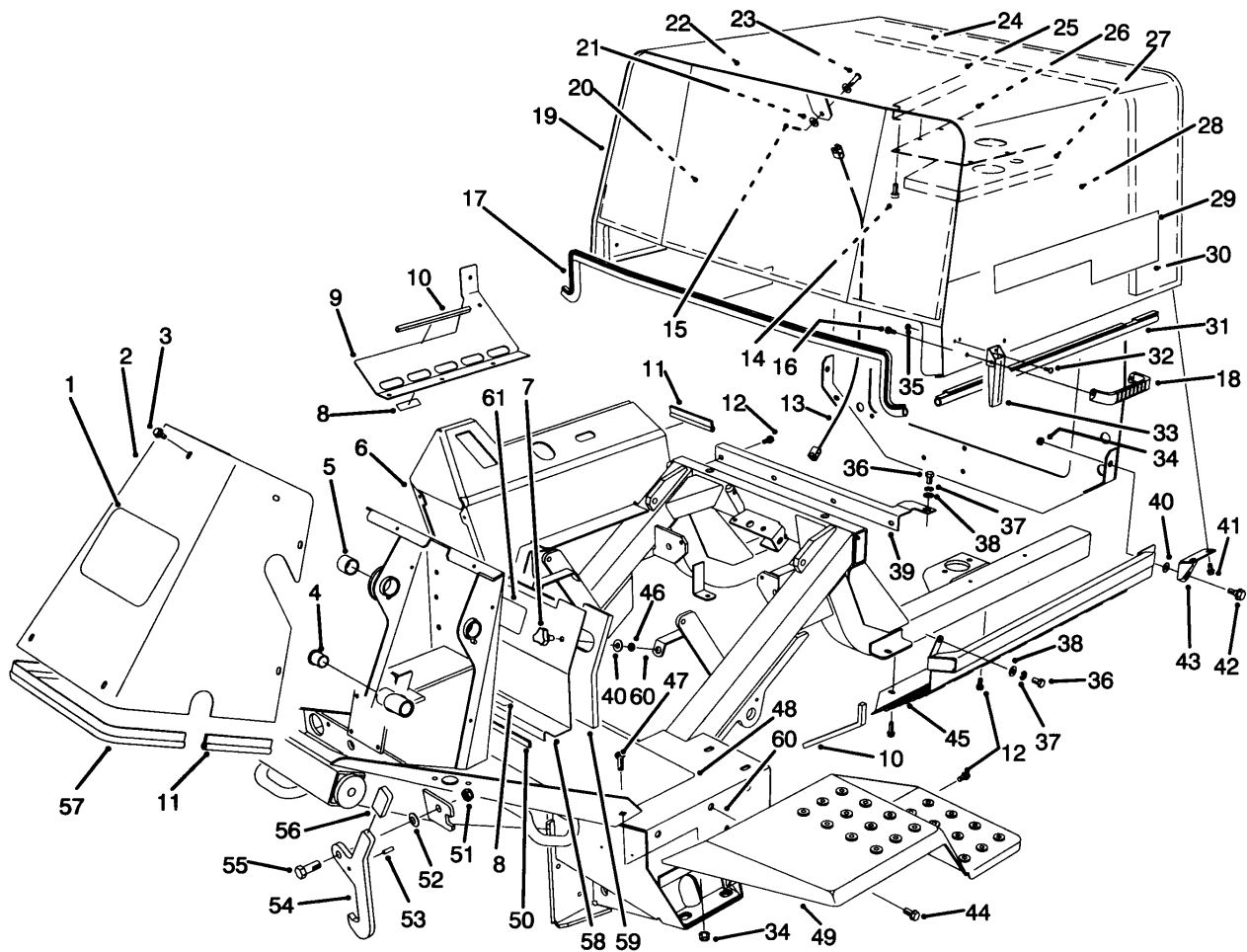


Frame and Body Assembly

Ref.	Part Number	Qty.	Description	Ref.	Part Number	Qty.	Description
1	62-7400	1	Decal	24	86-2520	1	Foam-Hood, Rear RH
2	76-9700	1	Cover-Tower	25	86-2220	1	Foam-Hood, Top LH
3	46-6810	9	Screw And Washer ASM	26	86-1650	1	Plate-Air Duct
4	256-10	2	Bushing-Flange	27	86-1690	1	Foam-In Take
5	256-237	1	Bushing	28	86-2200	1	Foam-Hood, Rear
6	84-1080	1	Frame Assembly (Incl. Ref # 4, 5 & 60)	29	84-1460	2	Decal-Gm455D
7	77-3620	2	Knob-Retainer	30	86-2530	1	Foam-Hood, Rear LH
8	70-2560	1	Decal-Oil	31	76-6460	1	Seal Strip Hood LH
8		2	Decal-Oil (Model No. 30455) ■		76-6450	1	Seal Strip Hood RH ●
9	76-8290	1	Support - Tank, Low *b	32	3290-359	2	Screw-HWH
10	68-7573	2	Strip-Sealing	33	69-3020	2	Latch-Camloc
11	76-6360	2	Strip-Sealing	34	3290-357	4	Nut-HHF, Whiz
12	32144-11	10	Screw-HWHTF	35	3296-2	2	Nut-Lock, NI
13	66-2871	1	Cable-Stop, Hood	36	323-4	2	Screw-HH
14	32104-76	17	Screw	37	3253-21	2	Washer-Lock
15	3272-10	1	Pin-Cotter	38	3256-24	2	Washer-Flat
16	46-8091	2	Screw-HWH	39	76-8430	1	Front Hood Supt *b
17	76-6470	1	Seal Strip - Firewall	40	3256-3	4	Washer-Flat
18	65-5100	1	Handle-Door	41	3234-14	4	Screw-HHF
19	14-7479	1	Hood-Gm 455D	42	67-0870	2	Bolt-Shoulder
20	88-1500	1	Foam-Firewall	43	76-9160	1	L/H Hood Pivot Wa *b
21	62-1230	2	Washer-Rubber		76-9170	1	R/H Hood Pivot Wa *b ●
22	86-2210	1	Foam-Hood, Top RH	44	3234-12	7	Screw-HHF
23	283-58	1	Pin-Clevis	45	82-3600	1	Lower Hood Cover Wa *b
				46	32151-72	2	Ring-Retaining
				47	3231-22	2	Screw-CARR

● Not illustrated

■ Not serviced separately

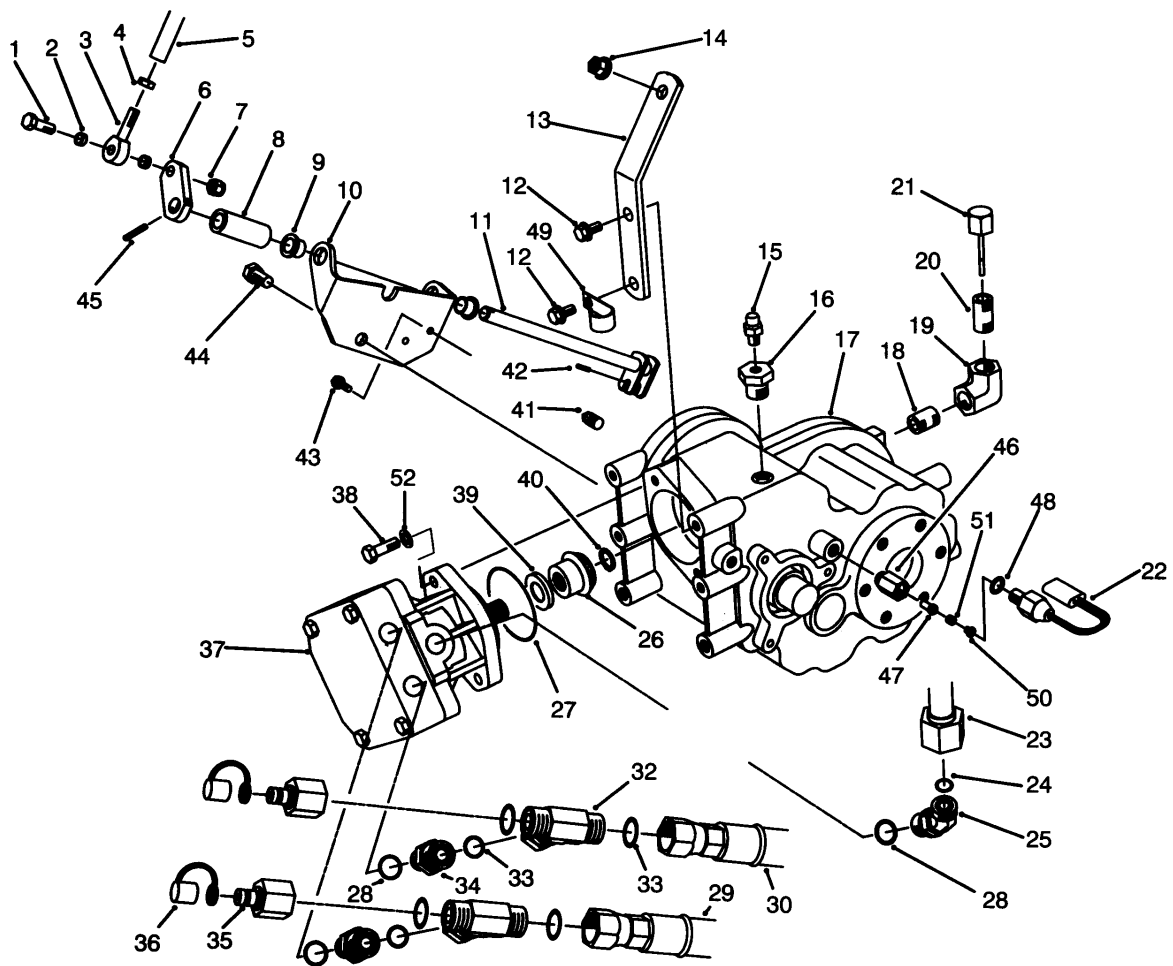


Frame and Body Assembly (continued)

Ref.	Part Number	Qty.	Description	Ref.	Part Number	Qty.	Description
48	74-4090	1	Tread-Rest, Foot	55	325-5	2	Screw-HH
49	76-9300	1	Fender L.H.	56	48-7081	2	Grip-Plastic
	76-9340	1	Fender R.H. ●	57	76-6361	1	Strip-Sealing
50	76-6380	1	Seal-Cover, Front	58	88-1300	1	Panel-Access
51	3296-25	2	Nut-Lock, NI	59	88-1310	1	Strip-Foam, Cover
52	3290-483	2	Washer-Conical	60	32148-10	10	Insert-Nut
53	32121-11	2	Pin-Roll	61	93-9426	1	Decal-Danger
54	84-1490	2	Latch-Lockup				

● Not illustrated

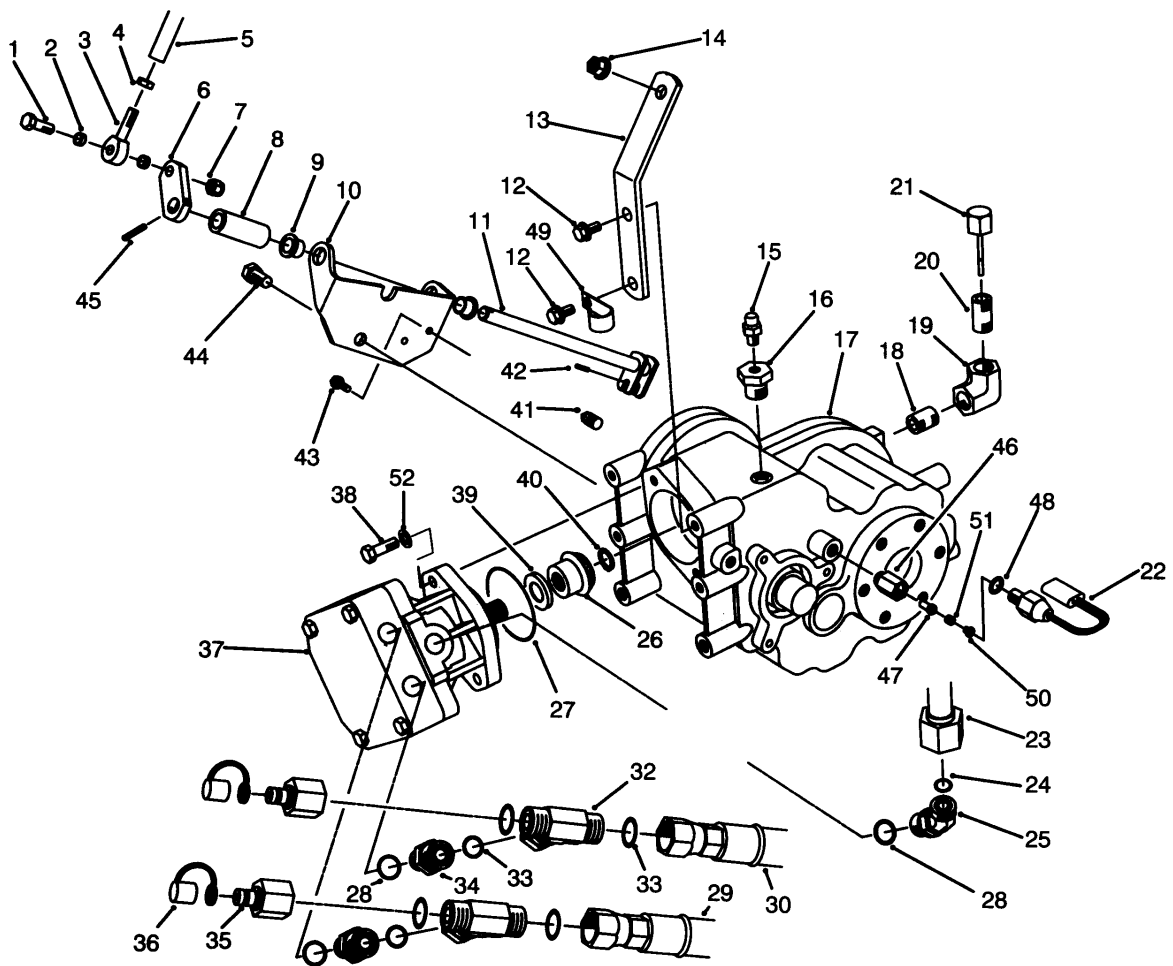
■ Not serviced separately



Front Transaxle Installation Assembly

Ref.	Part Number	Qty.	Description	Ref.	Part Number	Qty.	Description
1	323-9	1	Screw-HH	26		1	Pinion-Spiral
2	76-9100	2	Spacer-Speed, Reel	27	237-167	1	O-Ring
3	2411-36	1	Bearing-End, Rod	28	237-79	3	O-Ring
4	3220-3	2	Nut-HJ	29	92-5830	1	Traction Hose ASM
5	84-0690	1	Rod-Shift	30	92-5841	1	Traction Hose ASM
6	77-4260	1	Link-Shift		92-7765	1	Traction Tube ASM ●
7	3296-59	1	Nut-Lock, NI	32	340-167	2	Fitting-HYD, Tee
8	86-5420	1	Spacer-Rod, Shift	33	237-65	6	O-Ring
9	3-1506	2	Bushing	34	340-155	2	Fitting-HYD, Straight
10	84-1610	1	Support-Rod Shift	35	86-5860	2	Nipple
11	84-0700	1	Rod-Shift	36	353-947	2	Cap-Dust, Rubber
12	3234-12	2	Screw-HHF	37	92-2556	1	Hydraulic Motor Assembly
13	84-1600	1	Arm-Lever, Front Axle	38	323-7	2	Screw-HH
14	3290-357	1	Nut-HHF, Whiz	39	82-5380	1	Shim-Pinion, .045
15	302-14	1	Vent		82-5390	1	Shim-Pinion, .038 ●
16	2812-11	1	Bushing-Reducer		82-5400	1	Shim-Pinion, .052 ●
17	88-1260	1	Transaxle-2 Speed (Incl. Ref. No.26 & 41)	40	32151-62	1	Ring-Retaining
18	289-50	1	Nipple-Pipe	41	76-6040	1	Plug-Pipe
19	2813-14	1	Pipe-Elbow, 90	42	32121-24	1	Pin-Spring
20	289-44	1	Nipple-Pipe	43	3234-4	2	Screw-HHF
21	27-3710	1	Dipstick	44	325-2	1	Screw-HH
22	72-4320	1	Switch-Ball	45	32121-6	1	Pin-Roll, Slotted
23	86-5750	1	Motor Drain Tube ASM	46	92-1364	1	Guide-Pin, Switch
24	237-30	1	O-Ring	47	92-1365	1	Plunger-Switch
25	340-101	1	Fitting-HYD, 45 DEG	48	237-30	1	O-Ring
				49	2412-150	1	Clip-J

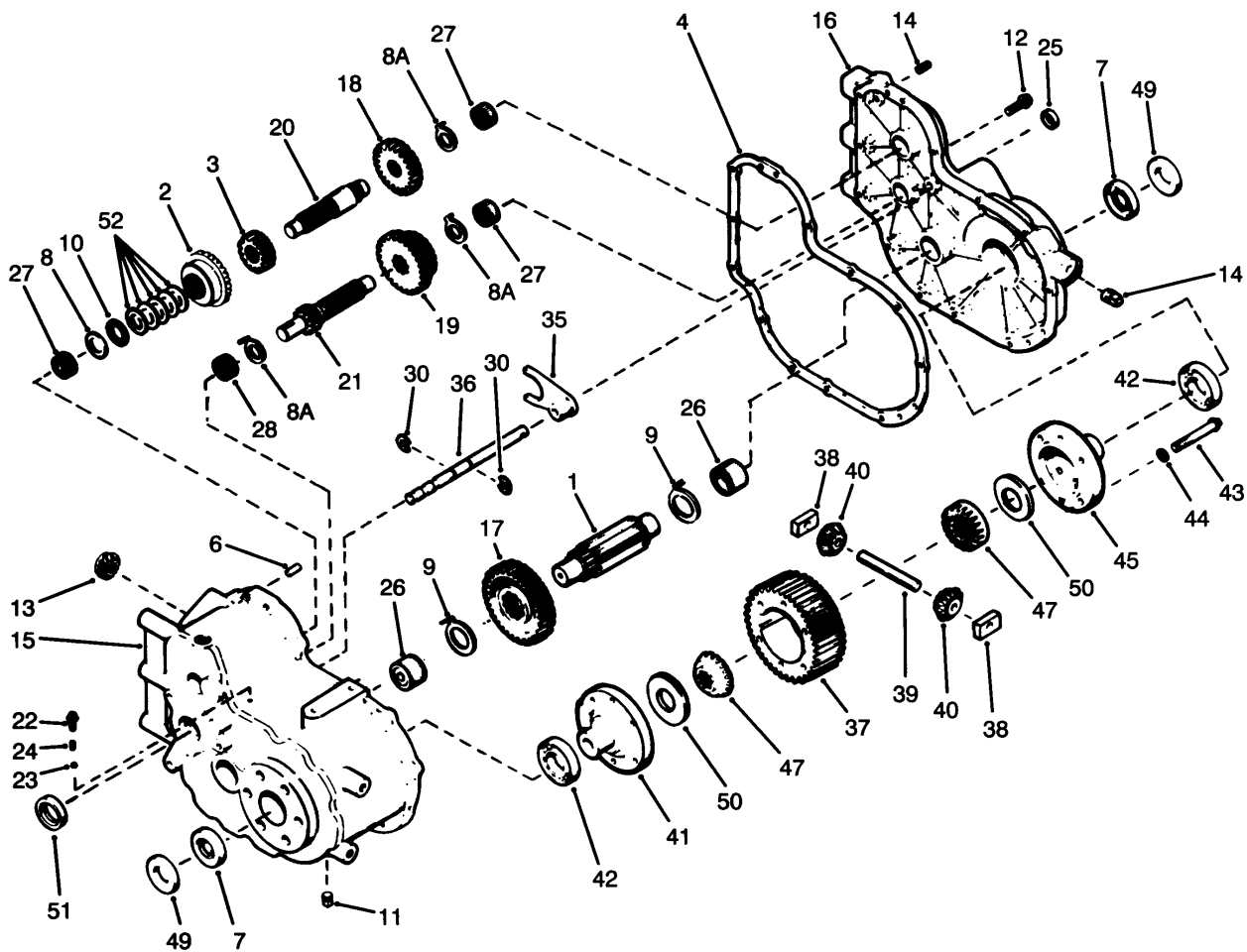
● Not Illustrated.



Front Transaxle Installation Assembly (continued)

<i>Ref.</i>	<i>Part Number</i>	<i>Qty.</i>	<i>Description</i>	<i>Ref.</i>	<i>Part Number</i>	<i>Qty.</i>	<i>Description</i>
50	43-8610	1	Guide	51	92-1366	1	Spring - Compression
				52	3256-24	2	Washer-Flat

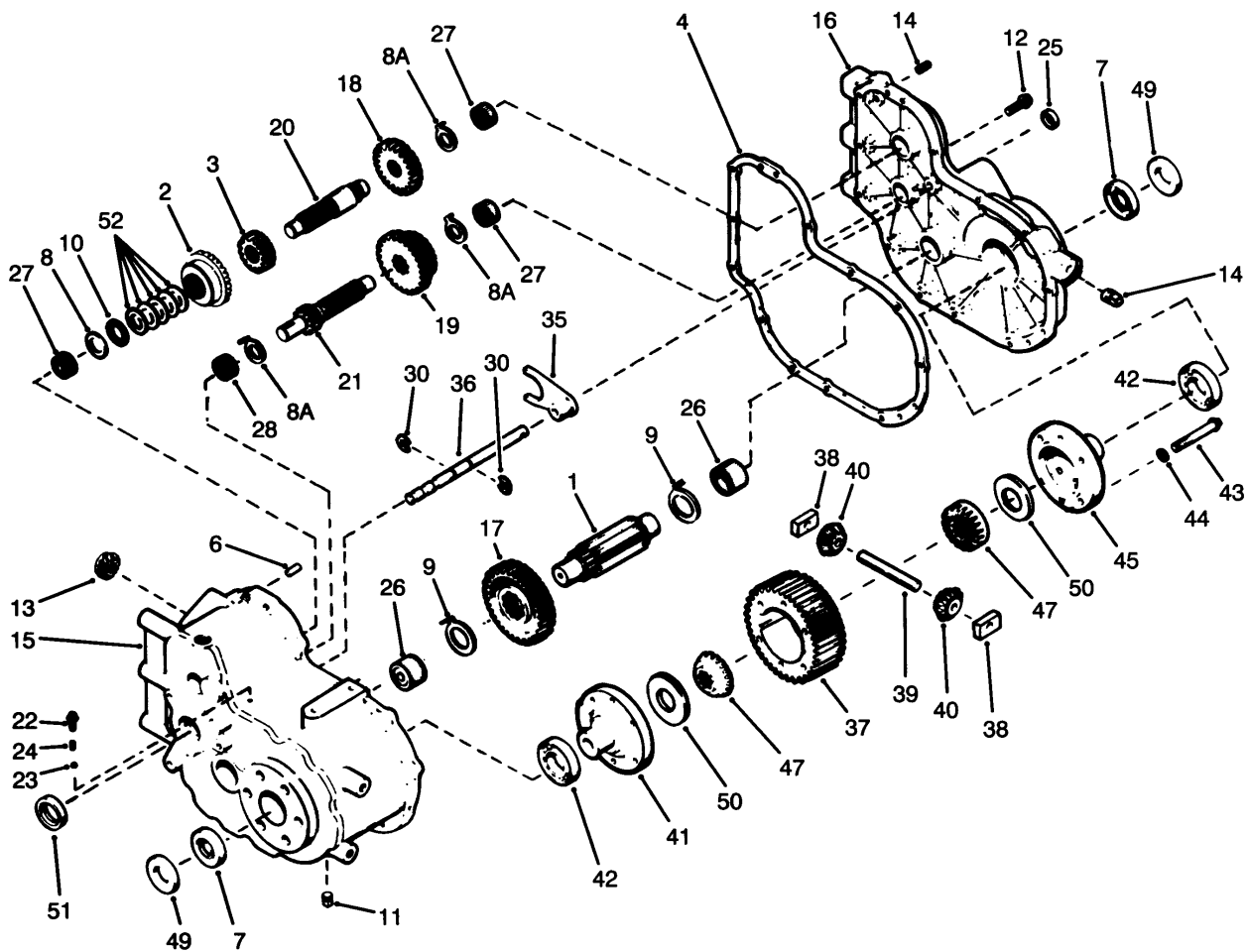
● Not Illustrated.



Transaxle Assembly No. 88-1260

Ref.	Part Number	Qty.	Description	Ref.	Part Number	Qty.	Description
1	76-5610	1	Pinion-Output	24	76-5840	1	Spring-Shifter Fork
2		1	Gear-Spiral Bevel	25	76-5850	1	Seal-Oil
3	76-5630	1	Gear-Spur	26	76-5860	2	Bearing-Needle
4	76-5640	1	Gasket-Case & Cover	27	76-5870	3	Bearing-Needle
6	76-5660	2	Pin-Dowel	28	92-0640	1	Bearing-Needle
7	76-5670	2	Seal-Oil	30	76-5890	2	Ring-Retaining
8	76-5680	1	Washer-Thrust	35	76-5900	1	Fork-Shift
8A	76-5650	3	Washer-Thrust	36	92-0647	1	Rod-Shift, Hi-Low
9	76-5690	2	Washer-Thrust	37	92-0643	1	Gear - Ring
10	76-5700	1	Bearing-Thrust	38	76-5930	2	Drive Block
11	76-5710	1	Plug-Drain, Magnetic	39	76-5940	1	Drive Pin
12	76-5720	13	Screw-HWHTF	40	76-5950	12	Bevel Pinion
13		1	Pinion-Spiral Bevel	41	76-5960	1	Carrier (Incl. Ref. #50)
14	76-6040	2	Plug-Pipe	42	92-0646	2	Bearing-Ball
15	92-0639	1	Case Assembly (Incl. Ref. #26-28)	43	76-5980	6	Screw - HHF
16	76-5760	1	Cover Assembly (Incl. Ref. #26-27)	44	3253-21	6	Washer-Lock
17	92-0642	1	Gear-Output	45	76-5990	1	Carrier-Differential
18	76-5780	1	Gear-Spur	47	76-6000	2	Bevel Gear
19	92-0644	1	Gear-Cluster	49	76-6010	2	Spacer
20	92-0641	1	Shaft-Counter	50	76-6020	2	Thrust Washer
21	92-0645	1	Shifter-Gear & Shaft	51	76-6030	1	Seal-Oil
22	76-5820	1	Screw-HHF	52	76-5680	0	Washer-Thrust
23	76-5830	1	Ball-Steel		76-5740	0	Washer-Thrust ●
					84-0090	0	Washer-Thrust ●
					84-0130	0	Washer-Thrust ●

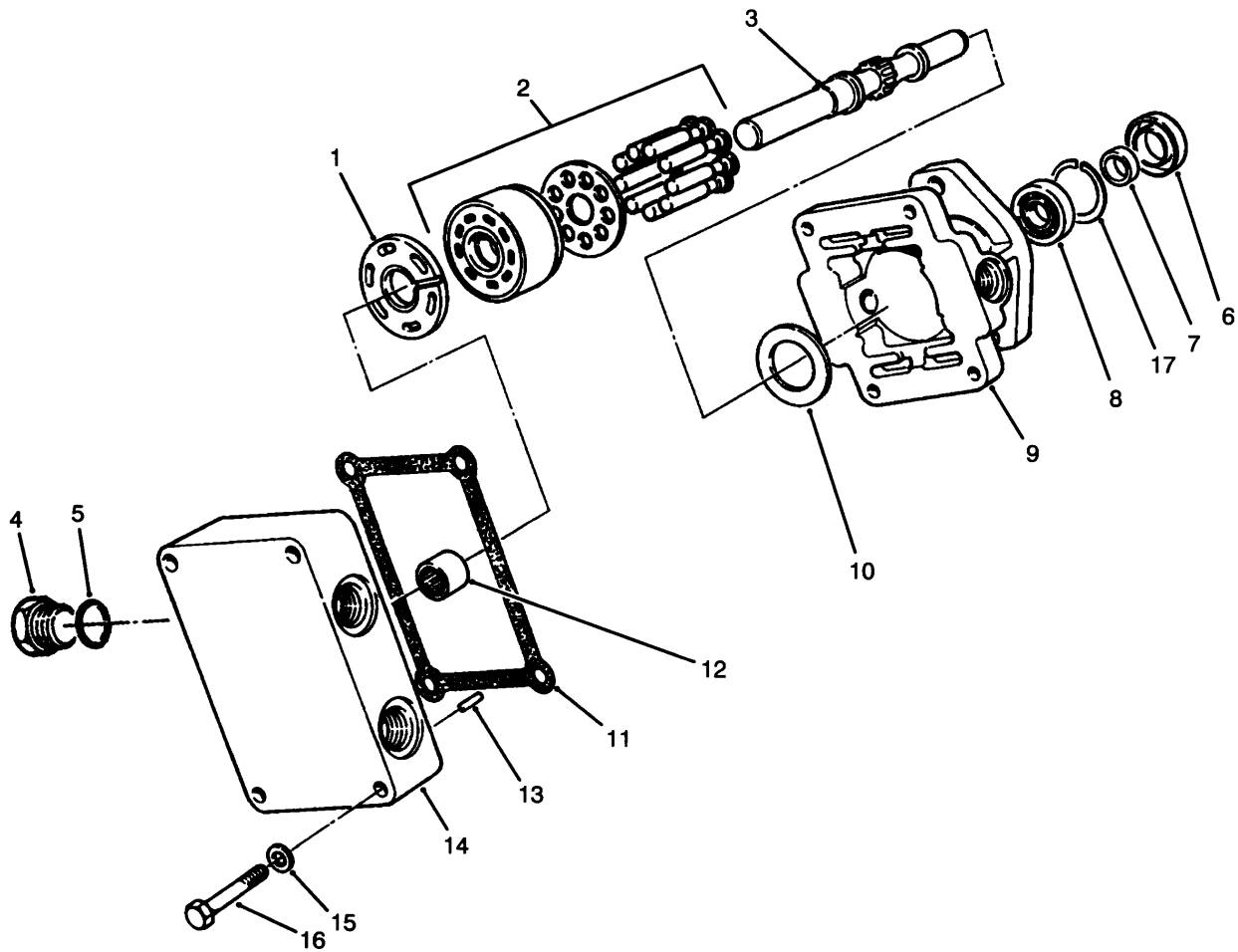
● Not Illustrated.



Transaxle Assembly No. 88-1260 (continued)

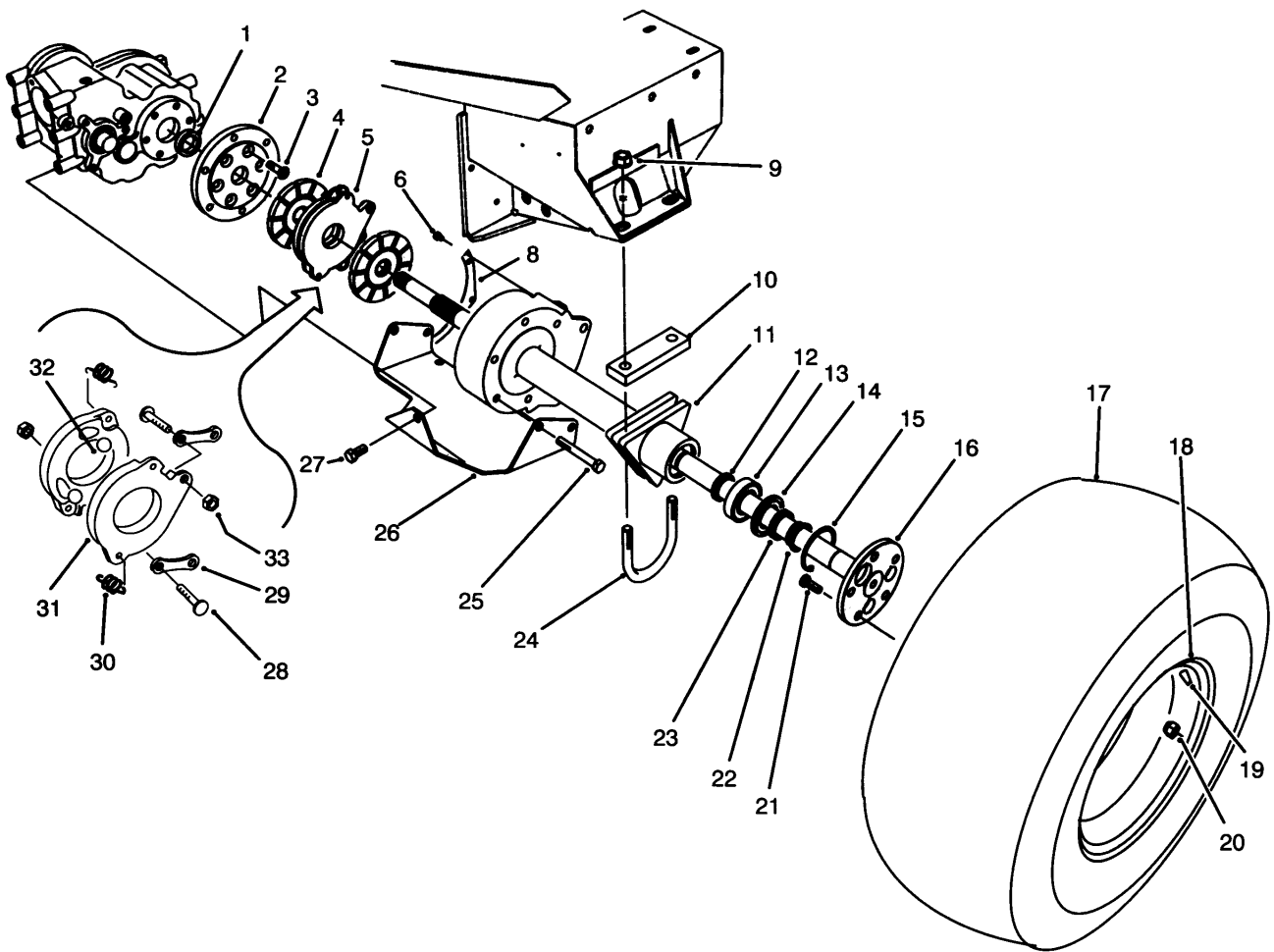
<i>Ref.</i>	<i>Part Number</i>	<i>Qty.</i>	<i>Description</i>
	84-0140	0	Washer-Thrust ●
	84-0080	1	Spiral Gear Set (Matched)(Incl. Ref. #2 & 13) ●

● Not Illustrated.



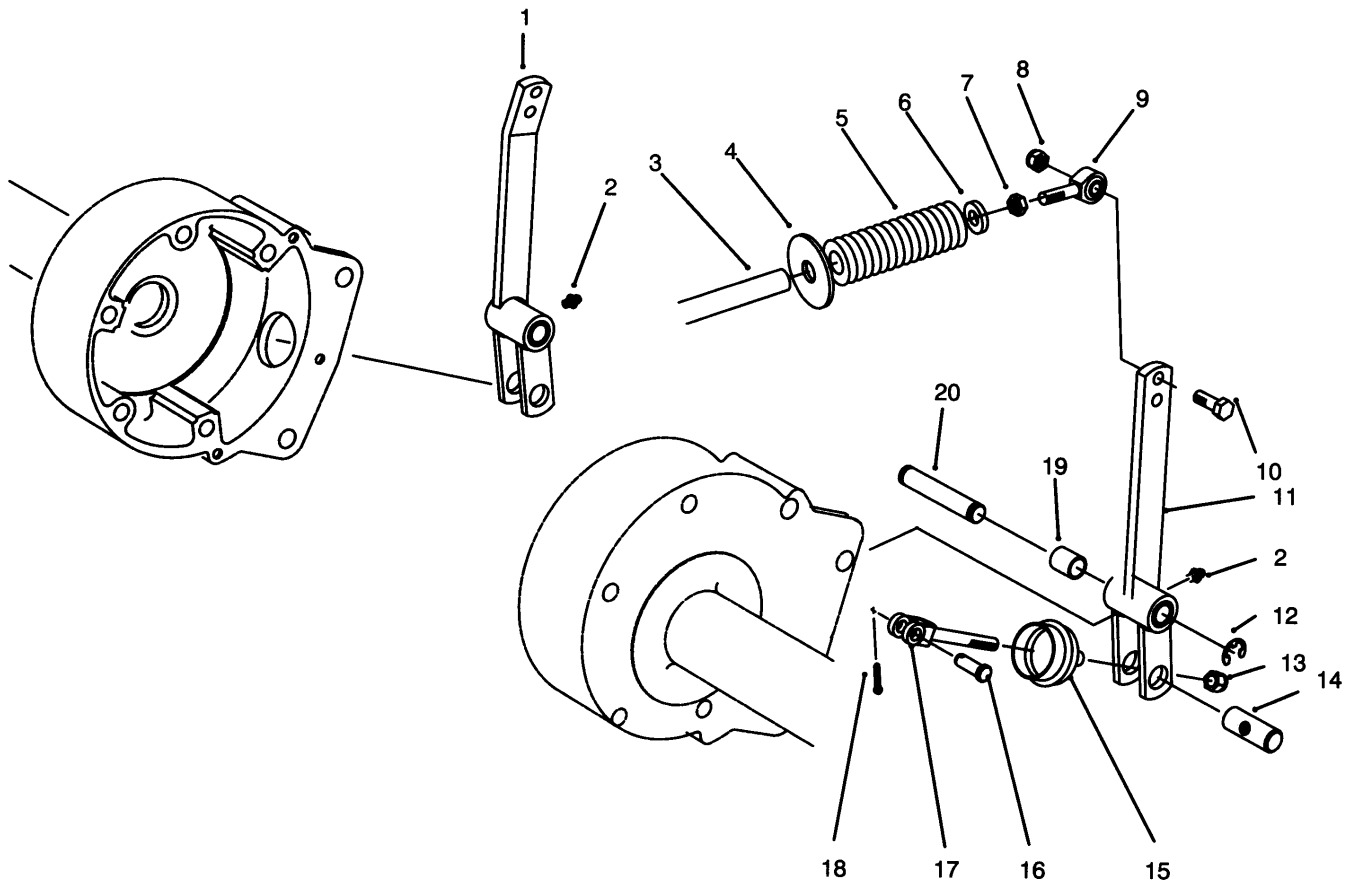
Hydraulic Motor No. 92-2556

<i>Ref.</i>	<i>Part Number</i>	<i>Qty.</i>	<i>Description</i>
1	28-3380	1	Plate-Valve, Motor
2	48-1800	1	Cylinder Block Kit
3	92-0636	1	Shaft Assembly (Incl. Ref. #7 & 8)
4	92-2571	2	Plug
5	237-65	2	O-Ring
6	74-9480	1	Seal-Lip
7		1	Sleeve
8		1	Bearing-Roller
9	82-4990	1	Housing-Fixed
10	25-2380	1	Plate-Thrust
11	67-9100	1	Gasket
12	77-3640	1	Bearing-Ball
13	25-2430	1	Pin-Dowel
14	92-2572	1	End Cap Assembly (Incl. Ref. #12)
15	74-9510	1	Washer-Plain
16	74-9500	4	Screw-HH
17	82-4970	1	Ring-Retaining



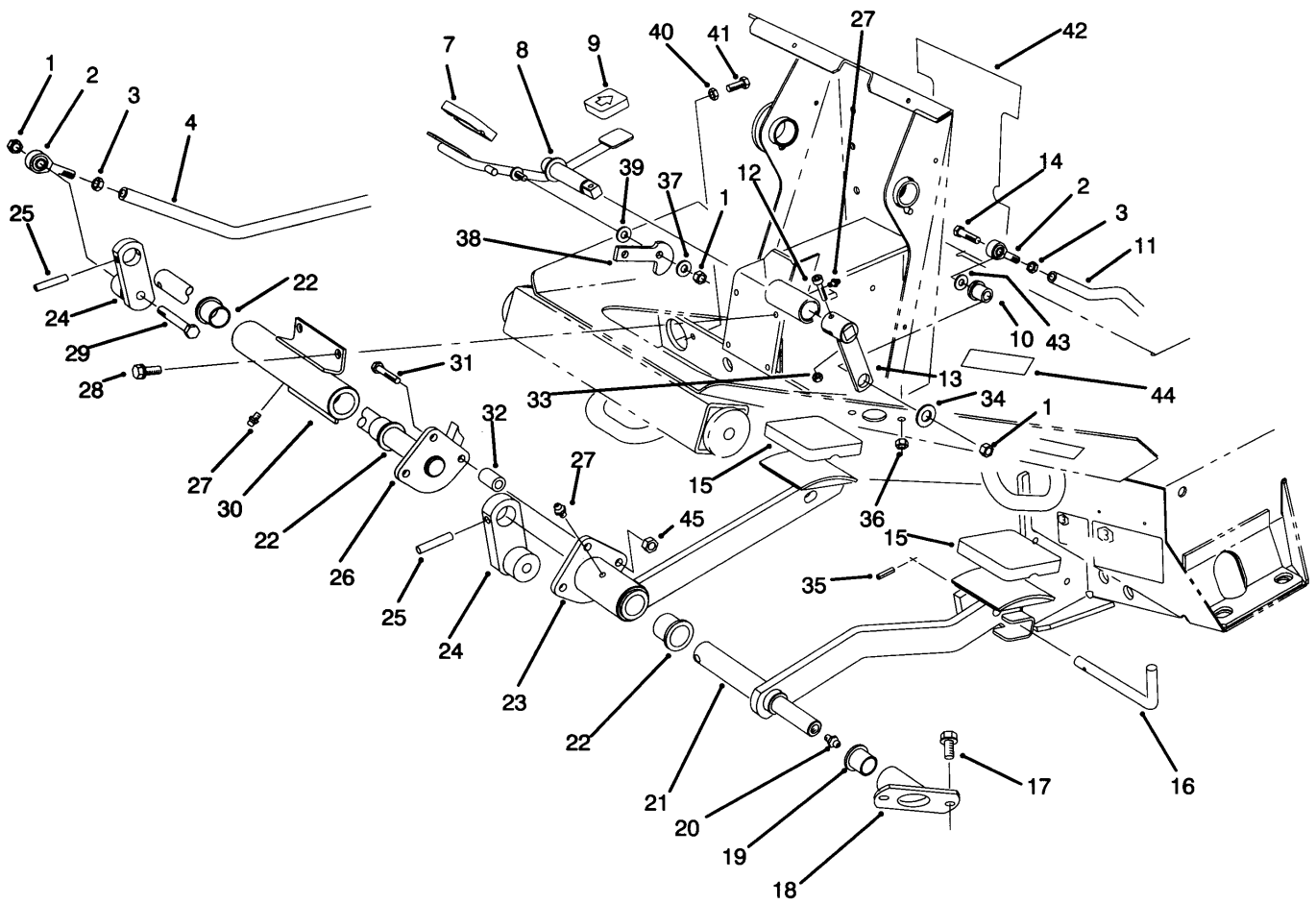
Front Axle Assembly

Ref.	Part Number	Qty.	Description	Ref.	Part Number	Qty.	Description
1	76-6010	2	Spacer	17	86-5900	2	Tire
2	76-4240	2	Plate-Adapter	18	217-124	2	Wheel ASM
3	3274-87	12	Screw-HSFH	19	232-27	2	Stem-Valve
4	74-3640	4	Disc-Middle	20	23-7270	10	Nut-Wheel
5	74-3630	2	Actuator-Brake (Inch. Ref. #29-34)	21	242-34	10	Stud-Drive
6	3234-20	6	Flg Screw,3/8-16X2.000	22	92-9706	2	Spacer-Axle, Flanged
8	76-8300	2	Cover-Axle Housing	23	92-9712	2	Seal, V-Ring
9	32128-50	4	Nut-Flange	24	84-1590	2	U-Bolt, Front Axle
10	84-1620	2	Plate-Support Axle	25	325-15	10	Screw-HH
11	92-9704	2	Housing-Axle	26	86-5430	1	Plate-Skid
12	92-9708	2	Collar-Bearing	27	325-4	1	Screw-HH
13	92-9710	2	Bearing	28	92-7774	4	Stud
14	92-9709	2	Spacer-Bearing	29	92-7775	4	Link
15	32151-76	2	Ring-Retaining	30	92-7776	4	Spring-Extension
16	92-9714	2	Axle Assembly (Incl. Ref. #12-15 & 20-23)	31	92-7777	4	Disc-Actuating
				32	92-7773	6	Ball
				33	69-9940	4	Nut-HJ



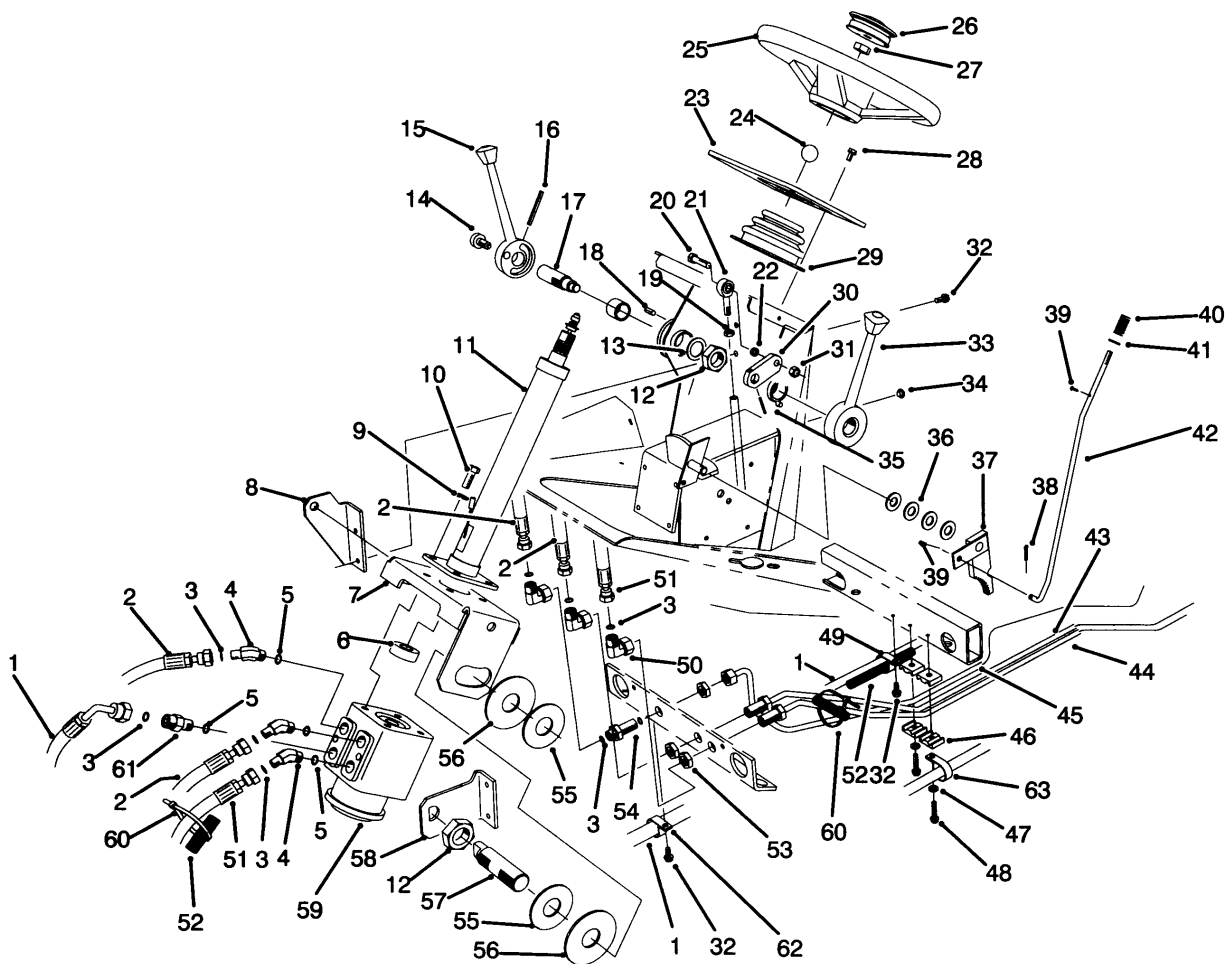
Brake Linkage Assembly

Ref.	Part Number	Qty.	Description
1	84-0940	1	Assy.-Brake Linkage Arm R.H. (Incl. Ref. #2 & 19)
2	302-5	2	Fitting-Grease
3	76-9690	2	Rod-Brake
4	86-5840	2	Plate-Spring
5	86-5830	2	Spring-Compression
6	66-6480	2	Washer
7	3220-3	2	Nut-HJ
8	3296-59	2	Nut-Lock, NI
9	2411-36	2	Bearing-End, Rod
10	323-7	2	Screw-HH
11	84-0970	1	Assy.-Brake Linkage Arm L.H. (Incl. Ref. #2 & 19)
12	32120-19	4	E-Ring
13	3296-39	2	Nut-Lock, NI
14	76-8270	2	Pin-Brake
15	76-4180	2	Boot-Rod, Brake
16	283-2	2	Pin-Clevis
17	76-6610	2	Clevis
18	3272-6	2	Pin-Cotter
19	5-2512	2	Bushing
20	84-0990	2	Pin-Pivot



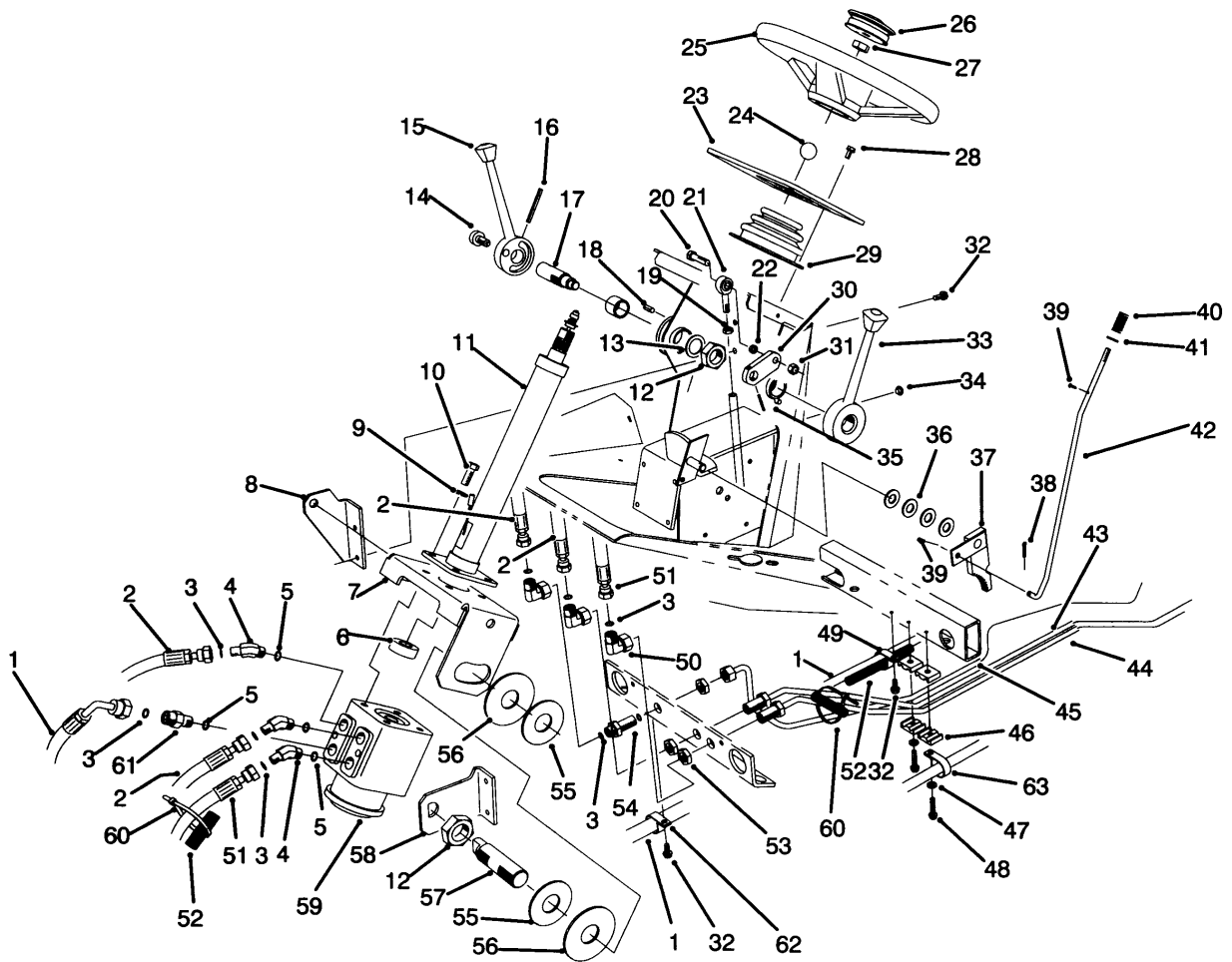
Traction and Brake Pedals Assembly

Ref.	Part Number	Qty.	Description	Ref.	Part Number	Qty.	Description
1	3296-59	4	Nut-Lock, NI	24	92-2586	2	Arm-Brake Linkage
2	2411-36	3	Bearing-End, Rod	25	32121-25	2	Pin-Roll
3	3220-3	3	Nut-HJ	26	92-5806	1	Shaft-Brake
4	76-9690	2	Rod-Brake	27	302-5	3	Fitting-Grease
7	74-9100	1	Pad-Pedal, Forward	28	32144-11	4	Screw-HWHTF
8	82-5190	1	Shaft-Traction Pedal	29	323-12	2	Screw-HH
9	74-9110	1	Pad-Pedal, Reverse	30	76-9030	1	Bearing Housing Assembly (Incl. Ref. #22 & 27)
10	63-9751	4	Mount	31	322-21	3	Screw-HH
11	88-1160	1	Rod-Traction Linkage	32	66-1140	3	Hub-Adjustment
12	3274-19	1	Screw-HSH	33	3296-42	1	Nut-Lock, NI
13	92-1367	1	Lever-Traction	34	63-8410	1	Washer
14	323-9	1	Screw-HH	35	32121-50	1	Pin-Spring
15	82-4960	2	Pad-Foot, Brake	36	32128-20	2	Nut-HF
16	63-7880	1	Pin-Latch, Brake	37	3256-24	1	Washer-Flat
17	3234-14	2	Screw-HHF	38	74-6110	1	Stop-Traction
18	76-9680	1	Bearing Housing Assembly (Incl. Ref. #19)	39	66-2920	1	Washer-Friction
19	256-90	1	Bushing-Flange	40	3218-2	2	Nut-Jam
20	302-2	1	Fitting-Grease	41	322-4	2	Screw-HH
21	92-5804	1	Pedal-Brake L.H.	42	84-1470	1	Decal-Safety
22	256-10	4	Bushing-Flange	43	3256-3	1	Washer-Flat
23	92-5805	1	Brake Pedal Assembly R.H. (Incl. Ref. #22 & 27)	44	92-1370	1	Decal-Warning
				45	32152-1	3	Nut-Lock, Cone



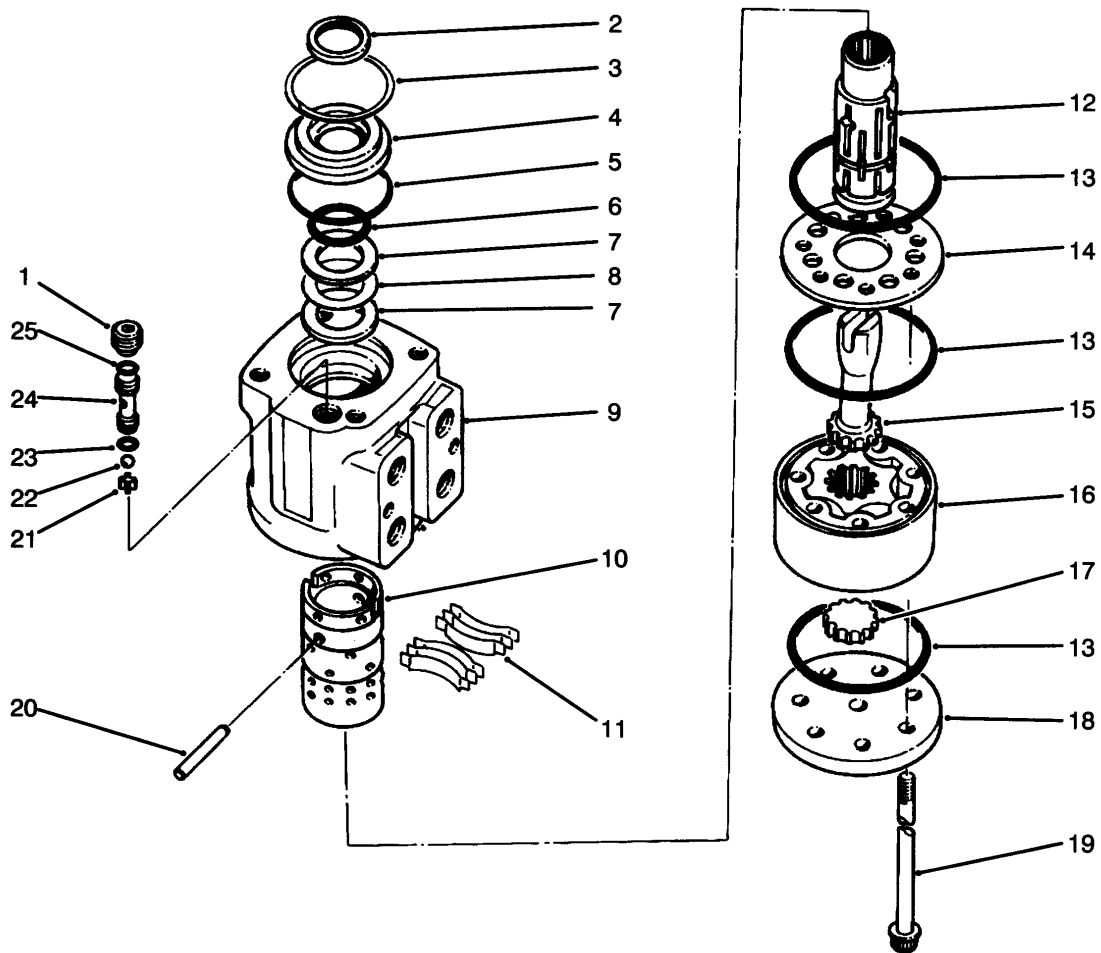
Steering Tower Assembly

Ref.	Part Number	Qty.	Description	Ref.	Part Number	Qty.	Description
1	86-5570	1	Hose ASM	29	76-9450	1	Boot-Column, Steering
2	86-3220	1	Hose ASM	30	84-0680	1	Link-Shift
3	237-22	10	O-Ring	31	3296-59	1	Nut-Lock, NI
4	340-138	3	Fitting-HYD, 45 DEG	32	32144-11	6	Screw-HWHTF
5	237-79	4	O-Ring	33	69-1560	1	Lever-Lock
6	21-9260	1	Cover-Dust	34	2410-64	2	Plug-Button
7	76-8140	1	Bracket-Steering	35	32121-6	1	Pin-Roll, Slotted
8	76-8160	1	Support-Steering	36	3256-26	4	Washer-Flat
9	3253-21	4	Washer-Lock	37	63-7900	1	Rack
10	323-6	4	Screw-HH	38	3272-10	1	Pin-Cotter
11	74-3670	1	Steering Column ASM	39	3272-5	2	Pin-Cotter
12	3296-49	2	Nut-Lock, NI	40	3-3251	1	Spring
13	10-8110	1	Washer-Thrust	41	3256-22	1	Washer-Flat
14	82-4950	1	Plunger-Spring	42	76-9050	1	Rod-Brake, Park
15	74-5770	1	Lever-Shift	43	86-5730	1	RH Front Tube ASM
16	32121-10	1	Pin-Roll	44	86-5740	1	LH Front Tube ASM
17	74-5790	1	Shaft-Pivot	45	86-5720	1	Tube Assy-Steering
18	32121-123	2	Pin-Roll	46	56-7973	4	Clamp-Tube
19	3220-3	1	Nut-HJ	47	3256-23	2	Washer-Flat
20	323-8	1	Screw-HH	48	32144-57	2	Screw
21	2411-36	1	Bearing-End, Rod	49	2412-74	1	R-Clamp
22	76-9100	1	Spacer-Speed, Reel	50	340-159	3	Fitting-HYD, 90 DEG
23	76-8720	1	Panel - Tower	51	86-3210	1	Hose ASM
24	233-17	1	Knob	52	86-5470	1	Wire Harness-Front
25	68-8080	1	Wheel-Steering	53	340-70	3	Nut-Lock
26	72-0130	1	Kit-Horn	54	340-71	1	Fitting-Straight, Bulkhead
27	47-6990	1	Nut	55	20-9500	2	Washer
28	32144-4	4	Screw-HWH	56	31-0390	2	Disc-Friction



Steering Tower Assembly (continued)

<i>Ref.</i>	<i>Part Number</i>	<i>Qty.</i>	<i>Description</i>	<i>Ref.</i>	<i>Part Number</i>	<i>Qty.</i>	<i>Description</i>
57	76-8340	1	Shaft-Pivot, Steering	61	59-6430	1	Valve-Check
58	76-8150	1	Support-Steering Shaft	62	2412-104	1	R-Clamp
59	92-9729	1	Steering Control ASM	63	2412-74	1	R-Clamp
60	3290-378	2	Tie-Cable				

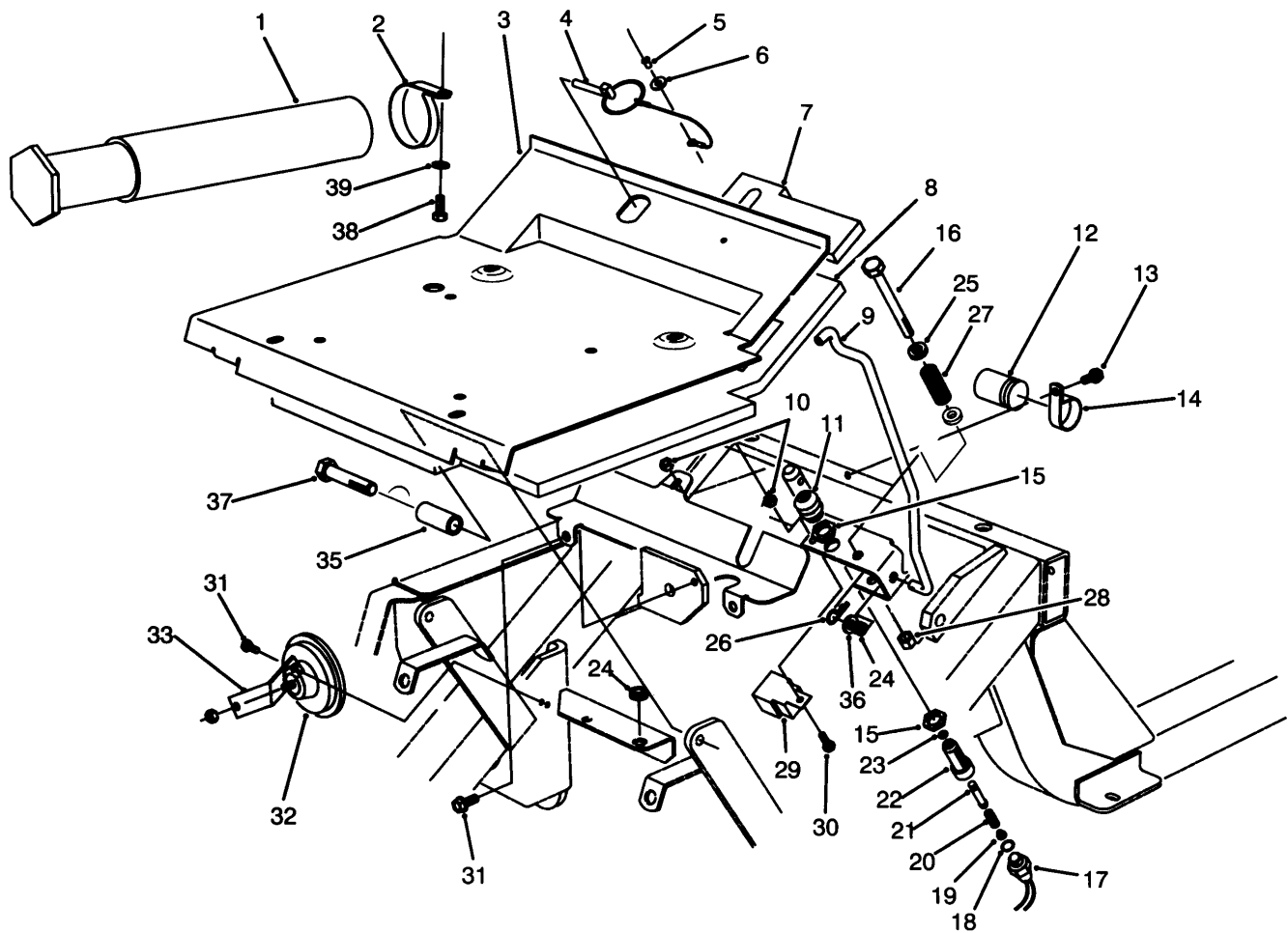


Power Steering Valve No. 92-9729

Ref.	Part Number	Qty.	Description	Ref.	Part Number	Qty.	Description
1	52-9260	1	Screw-Set	18	92-9730	1	Cap-End
3	52-9230	1	Ring-Retaining	19	92-9736	7	Screw-Cap
4	52-9240	1	Bushing	20	59-6830	1	Centering Pin Kit
5		1	Seal ASM ■	21	52-9290	1	Retainer-Checkball
6		1	Quad ■	22	52-9280	1	Checkball
7	59-6730	2	Race	23		1	Seal ASM ■
8	59-6740	1	Bearing	24	52-9270	1	Seat-Checkball
10		1	Sleeve-Control ■	25		1	Seal ASM ■
11	59-6820	1	Centering Spring Kit	52-9250		1	Needle Bearing Kit (Incl. Ref. #7-8) ●
12		1	Spool-Control ■	92-9749		1	Seal Kit (Incl. Ref. #2, 5-6, 13, 23 & 25) ●
13		3	Seal ASM ■	92-9745		1	End Cap Kit (Incl. Ref. #14, 18 & 19) ●
14	92-9732	1	Plate-Wear				
15	52-9320	1	Drive				
16	76-6300	1	Gerotor ASM				
17	76-6320	1	Spacer				

● Not Illustrated.

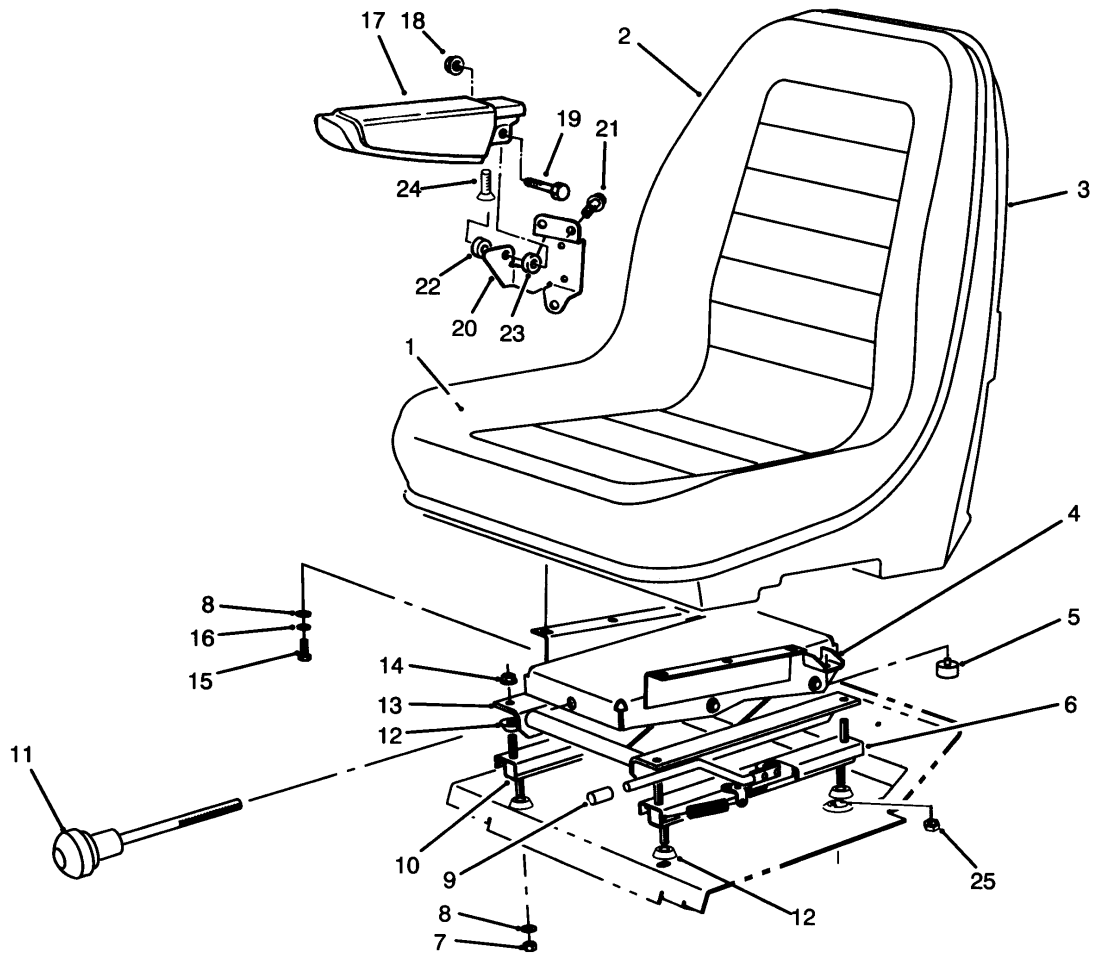
■ Not Serviceable Separately



Seat Plate Assembly

Ref.	Part Number	Qty.	Description	Ref.	Part Number	Qty.	Description
1	74-0720	1	Tube-Manual	21	43-8860	1	Plunger-Switch
2	2412-133	2	R-Clamp	22	43-8620	1	Pin-Guide, Switch
3	76-9460	1	Plate-Seat	23	237-7	1	O-Ring
4	77-3780	1	Pin ASM	24	237-136	2	Grommet
5	3290-282	1	Rivet-Blind	25	80-7730	2	Spacer
6	3256-49	1	Washer-Flat	26	3290-307	1	Pin-Hair
7	76-9930	1	Foam-Center	27	88-1420	1	Spring -Seat;compress.
8	82-4900	1	Foam-Seat, Rear	28	3296-39	1	Nut-Lock, NI
9	76-9440	1	Rod-Prop, Seat	29	63-7590	1	Relay
10	32128-33	1	Nut-HF	30	321-4	1	Screw-HH
11	43-8870	1	Boot-Switch	31	32144-11	3	Screw-HWHTF
12	37-2690	1	Capacitor	32	48-4590	1	Disc-Horn
13	32104-82	1	Screw-HHF	33	74-8910	1	Bracket-Horn
14	2412-74	1	R-Clamp	35	76-9480	2	Sleeve-Pivot, Seat
15	218-461	2	Nut-HH	36	3256-3	1	Washer-Flat
16	323-17	1	Screw-HH	37	325-9	2	Screw-HH
17	72-4320	1	Switch-Ball	38	322-2	2	Screw-HH
18	237-30	1	O-Ring	39	3256-23	2	Washer-Flat
19	43-8610	1	Guide		43-9071	1	Assy.-Switch, Seat (Incl. Ref. #11, 15, & 17-23) ●
20	43-8600	1	Spring-Compression				

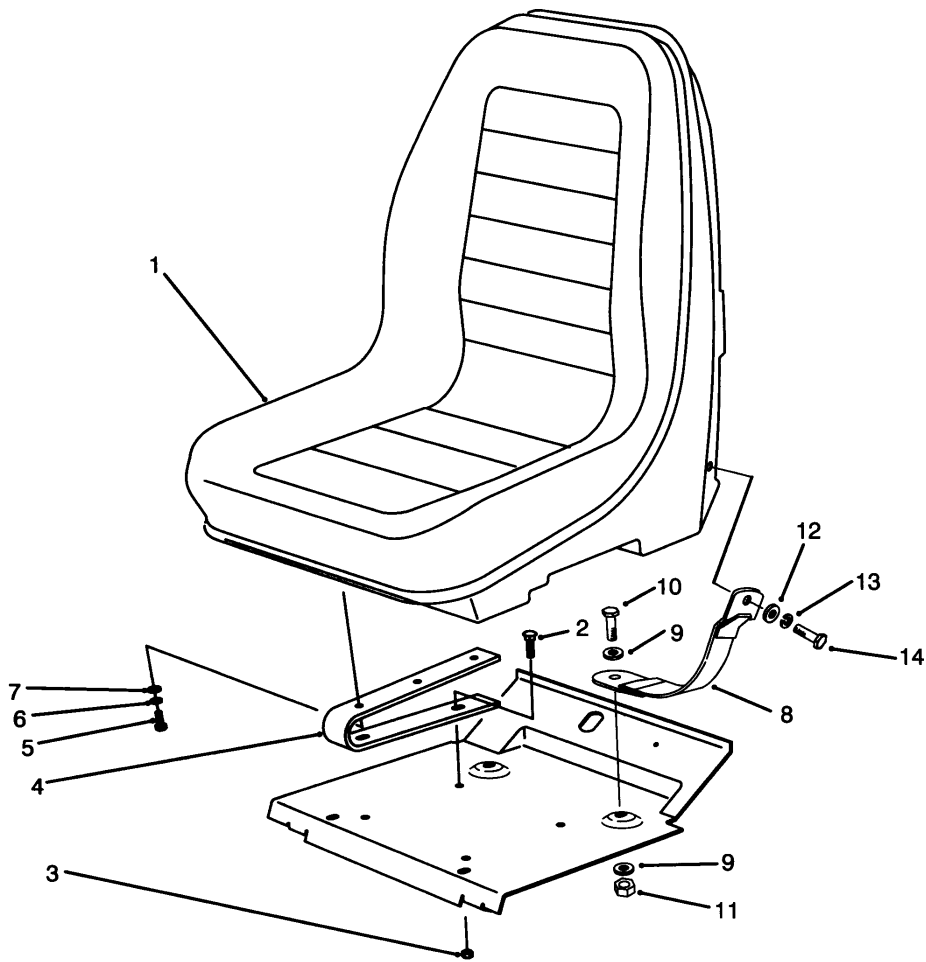
● Not Illustrated.



Seat Assembly

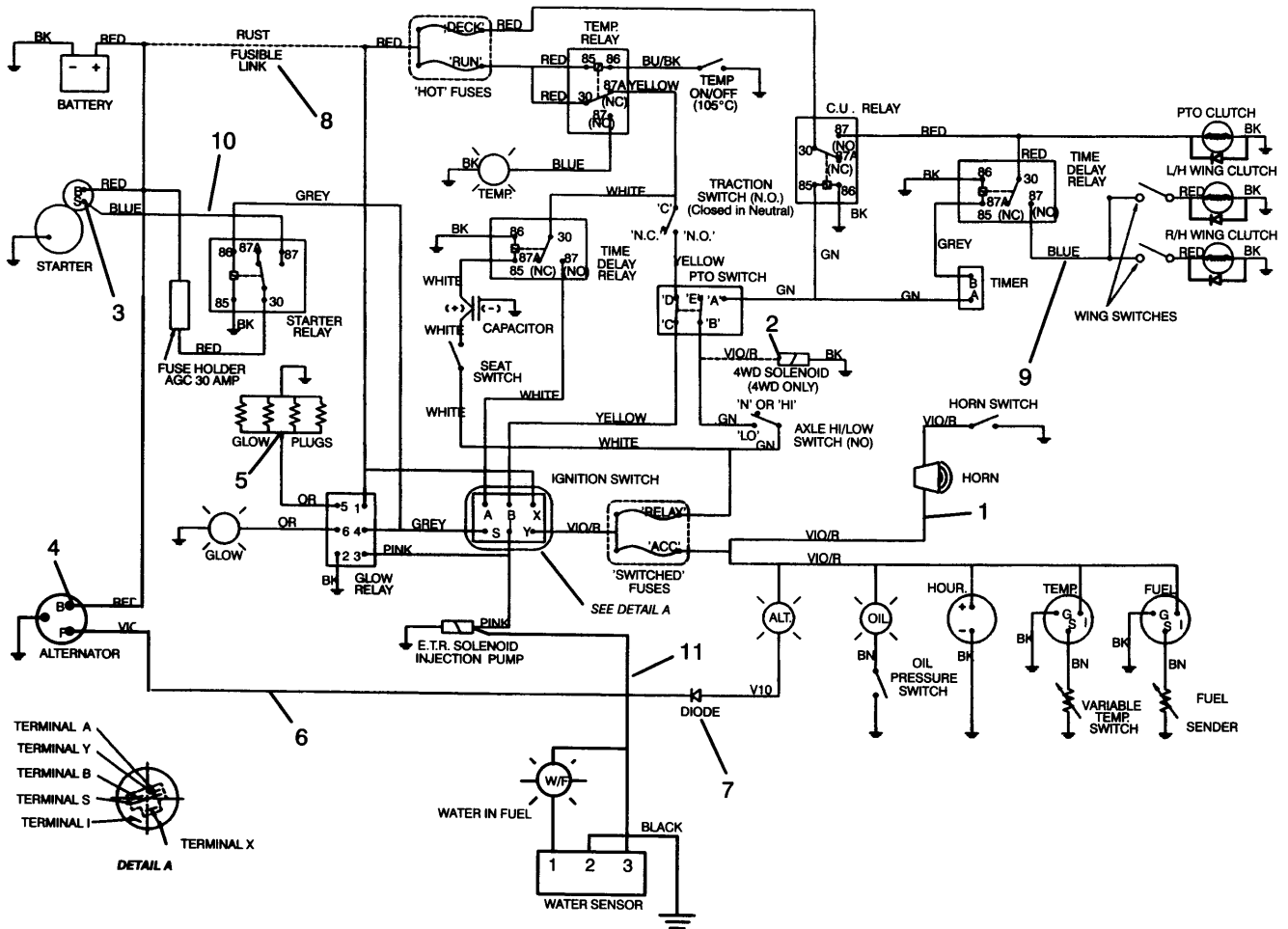
Ref.	Part Number	Qty.	Description	Ref.	Part Number	Qty.	Description
1	92-6533	1	Kit-Cushion, Seat	76-1940	2	Spring-Extension ●	
2	92-1180	1	Seat Assembly (Inch Ref. #1 & 3)	66-8540	1	Spring Hanger ●	
3	67-9560	1	Base	14	32128-25	4	Nut-HF
4	66-8600	1	Frame-Upper	15	322-3	4	Screw-HH
5	66-8520	2	Bumper-Downstop	16	3253-4	4	Washer-Lock
6	66-8510	1	Adjuster W / Handle	17	69-1180	2	Armrest
7	3296-29	4	Nut-Lock, NI	18	32128-19	2	Nut-HF
8	3256-2	8	Washer-Flat	19	323-9	2	Screw-HH
9	75-3570	1	Tip-Vinyl	20	69-0770	1	Bracket-Arm, RH
10	66-8530	1	Adjuster	69-0760	1	Bracket-Arm, LH ●	
11	76-1960	1	Knob Kit	21	3234-14	6	Screw-HHF
12	66-9290	8	Spacer-Suspension	22	92-7301	2	Spacer
13	66-8610	1	Frame-Lower	23	3256-24	2	Washer-Flat
	66-8580	4	Flange Bearing ●	24	3274-34	2	Screw-HSFH
	66-8550	2	Rod-Pivot ●	25	3218-2	4	Nut-Jam
	66-8560	4	Nut-Push ●	76-1970	1	Seat Suspension ASM ●	

● Not Illustrated.



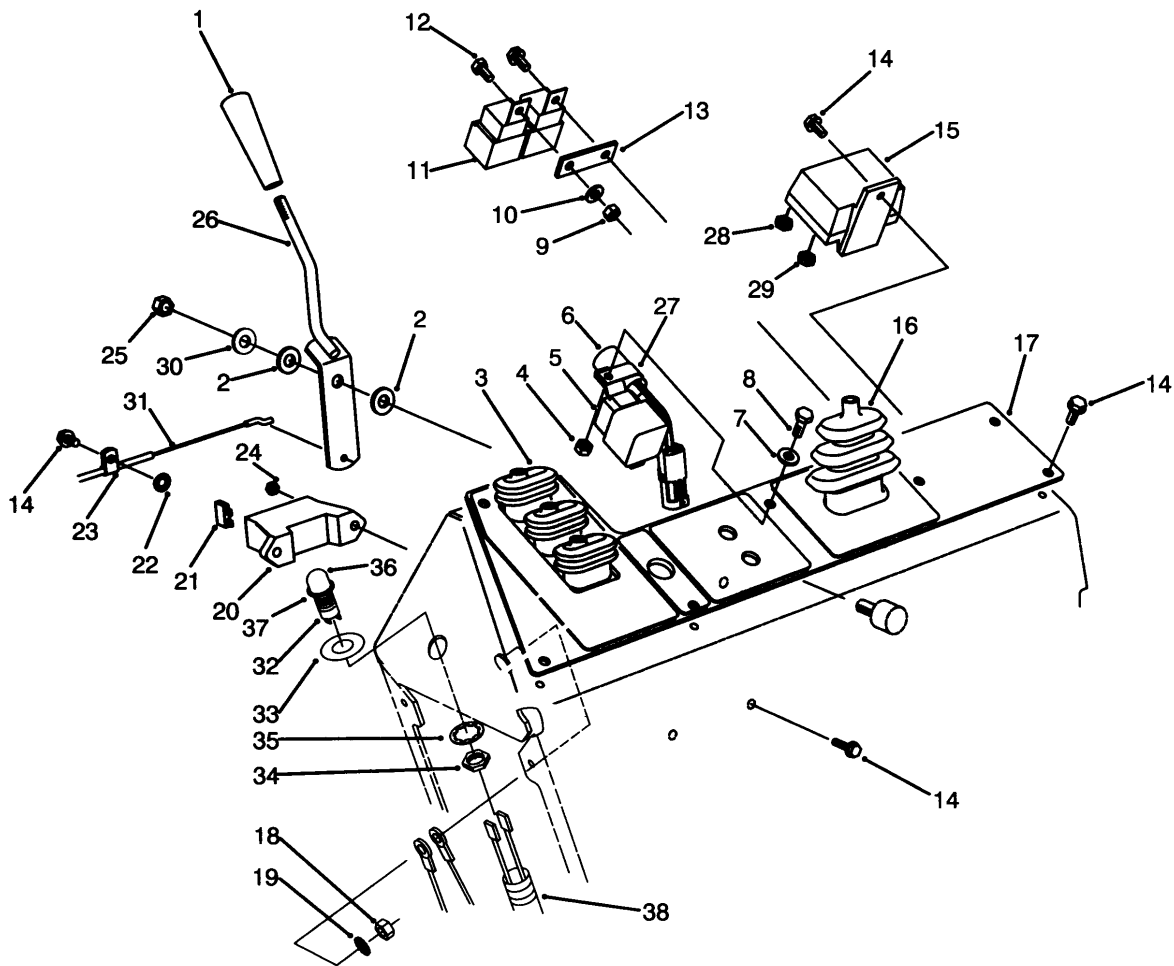
Low Seat Assembly (optional)

<i>Ref.</i>	<i>Part Number</i>	<i>Qty.</i>	<i>Description</i>
1	92-1180	1	Seat
2	3230-16	4	Screw-CARR
3	3296-29	4	Nut-Lock, NI
4	68-3280	2	Spring Seat
5	322-4	4	Screw-HH
6	3253-4	4	Washer-Lock
7	3256-2	4	Washer-Flat
8	92-5521	2	Strap-Tether
9	3256-24	4	Washer-Flat
10	323-6	2	Screw-HH
11	3296-39	2	Nut-Lock, NI
12	3256-5	2	Washer-Flat
13	3253-6	2	Washer-Lock
14	3212-5	2	Screw-HH



Electrical Schematic

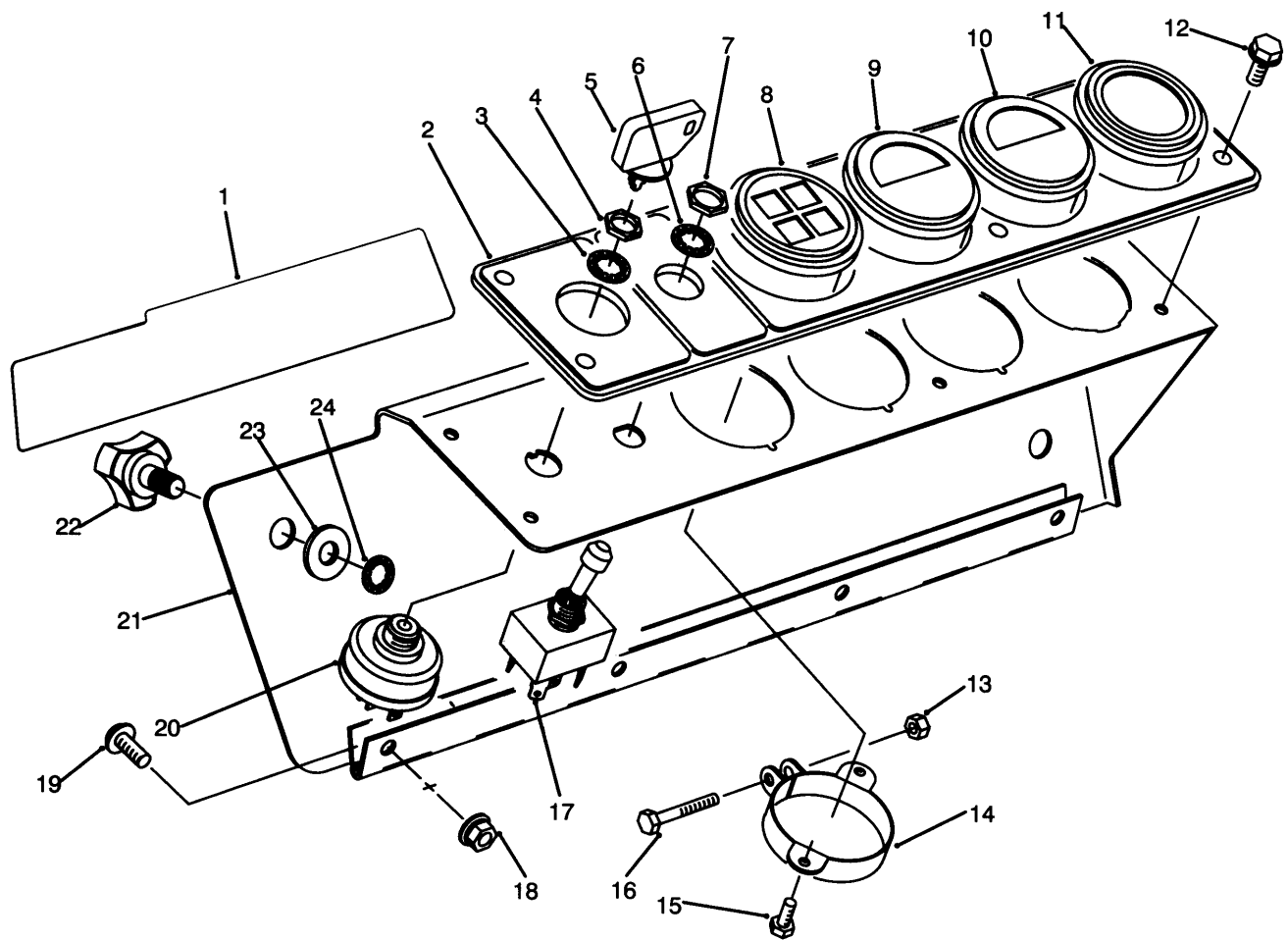
Ref.	Part Number	Qty.	Description
1	86-5470	1	Wire Harness-Front
2	76-4880	1	Connector
3	48-7930	1	Nut
4	48-7890	1	Nut-Hex
5	48-7880	2	Nut-Hex
6	86-5820	1	Harness-Wire, Main (Incl. Ref. #7)
7	86-7470	4	Diode ASM
8	67-7180	1	Wire
9	86-1910	1	Wire Harness-Deck
10	77-4200	1	Wire Harness/Relay
11	92-9740	1	Wire Harness



Control Console Assembly

<i>Ref.</i>	<i>Part Number</i>	<i>Qty.</i>	<i>Description</i>	<i>Ref.</i>	<i>Part Number</i>	<i>Qty.</i>	<i>Description</i>
1	233-39	1	Knob-Control	21	218-581	1	Fuse-15 Amp
2	66-2920	3	Washer-Friction		218-593	1	Fuse-30 Amps ●
3	76-8450	1	Boot-Lever, Lift	22	3255-7	1	Washer-Lock/EXT
4	3290-148	1	Nut-HF	23	2412-31	1	Clamp-Boden
5	70-1480	1	Relay	24	3296-12	1	Nut-Lock, NI
6	83-2280	1	Timer-Delay	25	3296-44	1	Nut-Lock, NI
7	3256-77	1	Washer-Flat	26	76-4300	1	Lever-Throttle
8	3290-126	3	Screw-HWH	27	2412-39	1	R-Clamp
9	3296-42	2	Nut-Lock, NI	28	48-7880	1	Nut-Hex
10	3256-78	1	Washer-Flat	29	48-7890	1	Nut-Hex
11	63-7590	2	Relay	30	3256-24	1	Washer-Flat
12	321-2	2	Screw-HH	31	74-5480	1	Cable-Throttle
13	77-3970	1	Spacer - Relay	32	44-2212	1	Light-Warning (Incl. Ref. #34-37)
14	32144-4	10	Screw-HWH	33	92-9741	1	Decal-Water In Fuel
15	76-5260	1	Relay-Plug, Glow	34	218-535	1	Nut-Hex
16	76-8440	1	Boot-Throttle	35	218-536	1	Washer-Lock
17	86-5410	1	Panel-Console	36	218-562	1	Lens
18	3296-47	1	Nut-Lock, NI	37		1	Bulb
19	3255-8	1	Washer-Lock	38	92-9740	1	Wire Harness
20	67-7160	1	Block-Fuse				
21	218-573	2	Fuse-5 Amp				

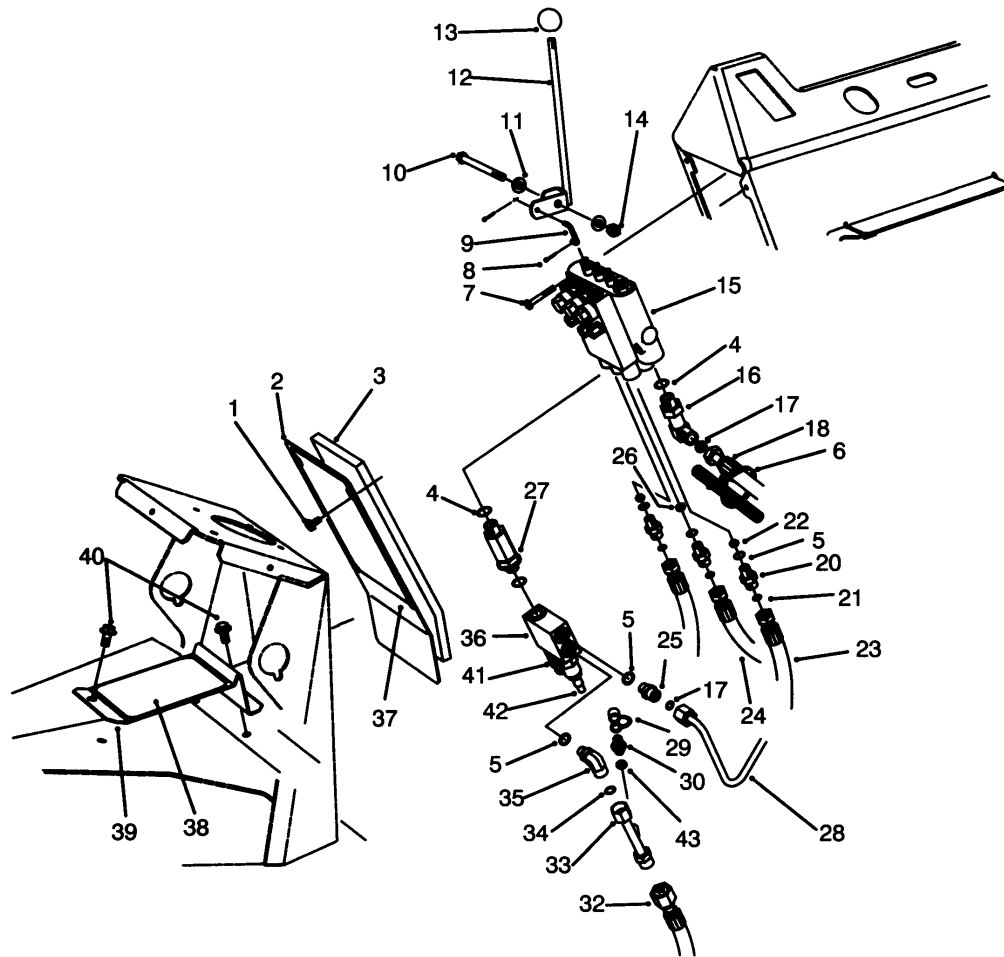
● Not Illustrated.



Gage Panel Assembly

Ref.	Part Number	Qty.	Description	Ref.	Part Number	Qty.	Description
1	92-6564	1	Decal-4 Matic	12	32144-4	6	Screw-HWH
2	84-1450	1	Panel-Console Gauges	13	3296-2	1	Nut-Lock, NI
3	218-446	1	Nut-Hex	14	69-4780	1	Clamp-Gauge
4	218-447	1	Washer-Lock	15	32144-19	2	Screw-SHWH
5	63-8360	1	Key-Ignition	16	32105-12	1	Screw
6	3254-20	1	Washer-Lock, Int	17	85-4980	1	Switch-PTO
7	3218-19	2	Nut-HJ	18	32128-33	4	Nut-HF
8	66-2960	1	Warning Lamp Cluster	19	3274-68	4	Screw-HSBH
	76-8950	1	Harness Lamp ●	20	27-2360	1	Switch
	219-17	4	Bulb ●	21	82-3750	1	Cover-Console
9	76-9060	1	Gauge-Temperature	22	77-3620	2	Knob-Retainer
10	66-2940	1	Gauge-Fuel	23	3256-3	2	Washer-Flat
11	66-2950	1	Gauge-Hourmeter	24	32151-72	2	Ring-Retaining

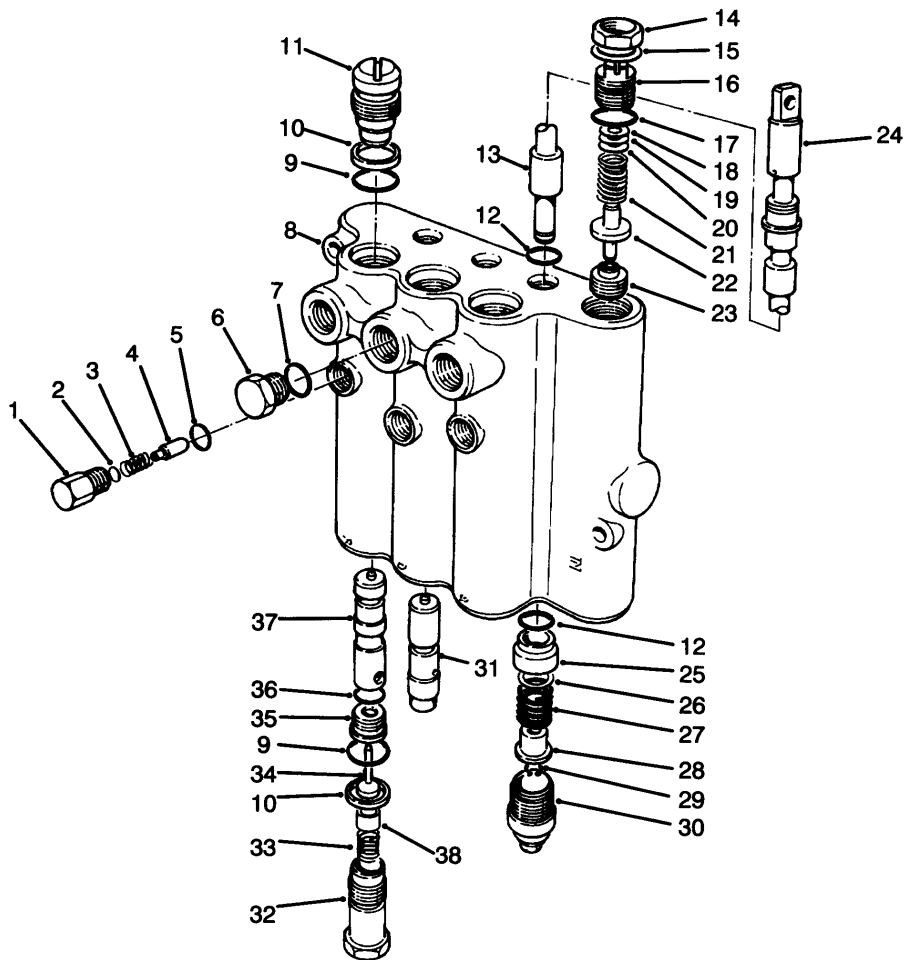
● Not Illustrated.



Lift Valve Installation Assembly

Ref.	Part Number	Qty.	Description	Ref.	Part Number	Qty.	Description
1	46-6810	4	Screw And Washer ASM	22	86-2501	2	Plate-Orifice
2	76-7090	1	Cover-Console	23	86-3190	2	Hose ASM
3	76-6270	1	Strip-Foam, Panel	24	86-3180	1	Hose ASM
4	237-79	4	O-Ring	25	340-2	1	Fitting-HYD, Straight
5	237-42	5	O-Ring	26	84-6402	1	Disc-Orifice
6	3290-379	1	Tie-Cable	27	74-5910	1	Bulkhead-Special
7	321-10	2	Screw-HH	28	86-5770	1	Reilief Valve Tube ASM
8	3272-1	6	Pin-Cotter	29	353-947	1	Cap-Dust, Rubber
9	69-9140	3	Link-Lever, Valve	30	354-77	1	Fitting-Quick
10	323-17	1	Screw-HH	32	86-3230	1	Hose ASM
11	3256-24	2	Washer-Flat	33	86-5760	1	Deck Return Tube ASM
12	74-6060	1	Lever-Valve, RH	34	237-30	2	O-Ring
	74-6050	1	Lever-Valve, Center ●	35	340-99	1	Fitting-HYD, 90 DEG
	69-7010	1	Lever-Valve, LH ●	36	86-5440	1	Valve-Relief, Dual (Incl. Ref. #41 & 42)
13	233-42	3	Knob	37	86-5930	1	Decal-Service, 2Wd
14	3296-39	1	Nut-Lock, NI		86-5920	1	Decal-Service, 4Wd ●
15	92-7762	1	Control Valve ASM	38	76-7040	1	Pad-Foot
16	63-4090	1	Fitting	39	82-5300	1	Support-Heel
17	237-22	2	O-Ring	40	32144-11	2	Screw-HWHTF
18	86-3240	1	Hose Assy	41	88-1520	1	Cartridge-Relief
20	88-1380	3	Fitting-Adapter (Disc, Instead Use 340-1)	42	88-1530	1	Cartridge-Relief, Differential
21	237-21	3	O-Ring	43	237-78	1	O-Ring

● Not Illustrated.

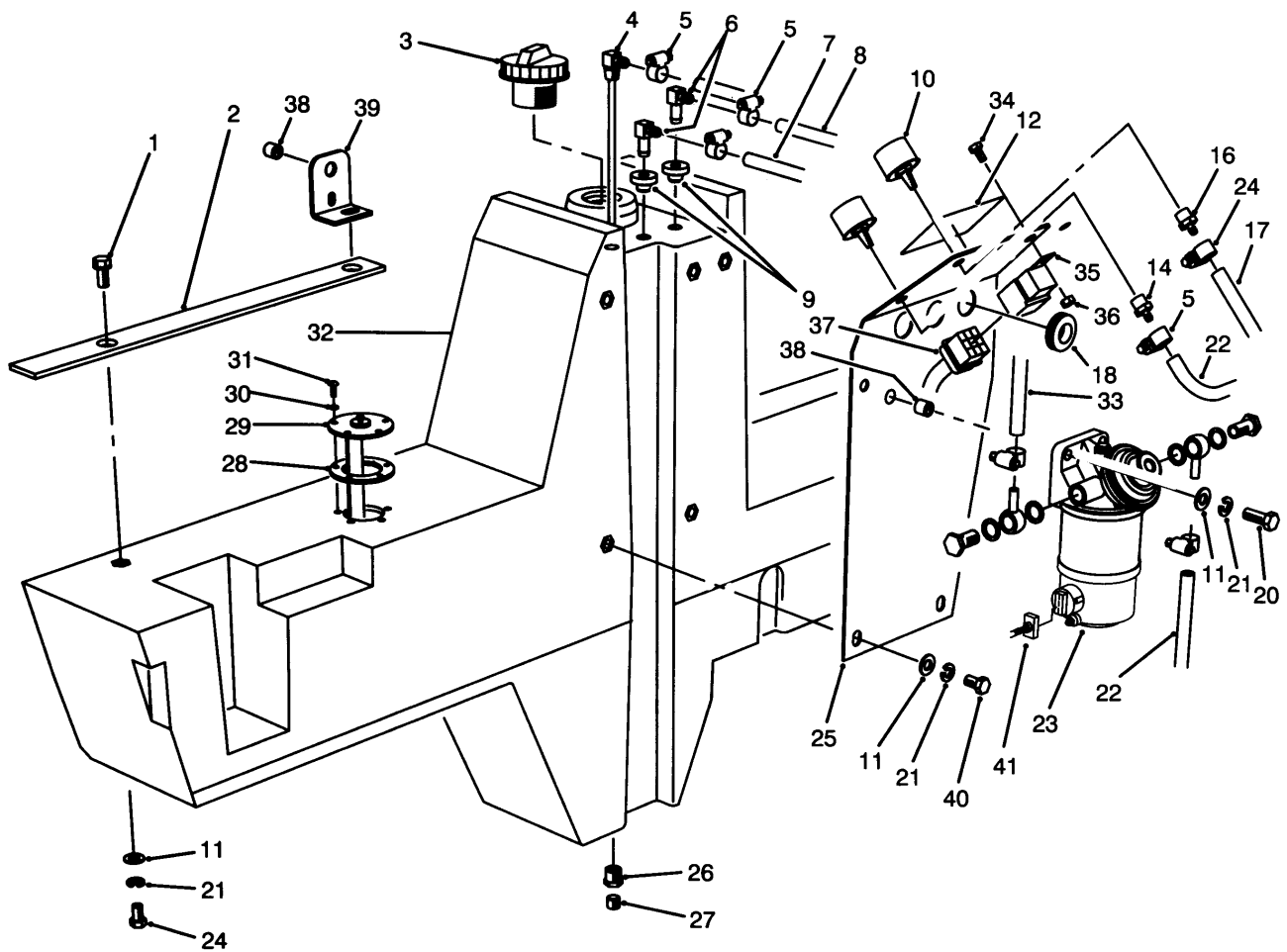


Lift Valve Assembly No. 92-7762

Ref.	Part Number	Qty.	Description	Ref.	Part Number	Qty.	Description
1	58-6780	3	Plug Assembly (Incl. Ref. #5)	21	92-2567	1	Spring
2	60-6450	0	Disc	22	92-2568	1	Poppet
3	58-6760	3	Spring	23		1	Seat ■
4	58-6770	3	Plunger	24	58-6320	3	Wiper
5	58-6790	3	O-Ring	25	58-6400	3	Bushing
6	353-508	3	Plug Assembly (Incl. Ref. #7)	26	58-6700	3	Washer
7	58-6720	3	O-Ring	27	58-6730	3	Spring
9	60-5720	6	O-Ring	28	58-6310	3	Spacer
10	58-6370	6	Washer	29	58-6460	3	Ring-Retaining
11	58-6350	3	Plug Assembly (Incl. Ref. #9-10)	30	58-6420	3	Cap
12	58-6450	6	O-Ring	31	84-6430	1	Plunger
13		3	Spool ■	32	92-7780	3	Plug Assembly (Incl. Ref. #9-10)
15		1	Washer ■	33	92-7778	3	Spring
16	69-1830	1	Plug Assembly (Incl. Ref. #14, 15 & 17)	34	58-6290	3	Poppet
17	58-6750	1	O-Ring	35	58-6330	3	Seat Assy. (Incl. Ref. #36)
18	58-6470	0	Washer	36	58-6340	3	O-Ring
19	58-6480	0	Washer	37	84-6420	2	Plunger
20	58-6490	0	Washer	38	92-7779	3	Eyelet
					60-3780	1	Seal Kit (Incl. Ref. #5, 7, 9, 10, 12, 17, 24, 29, 34, & 36) ●

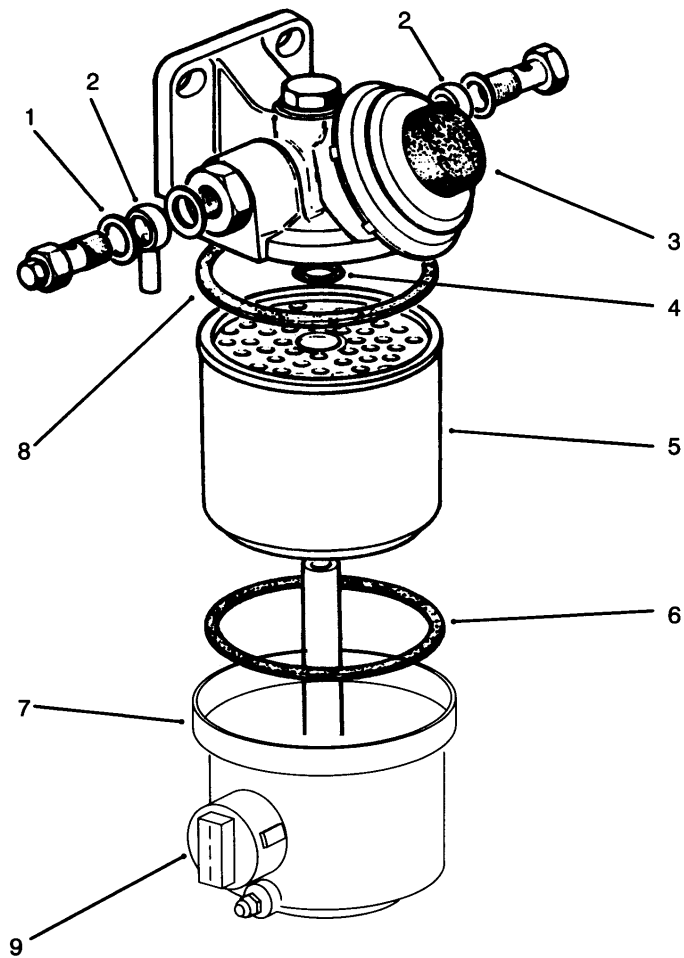
● Not Illustrated.

■ Not Serviceable Separately



Fuel Tank Assembly

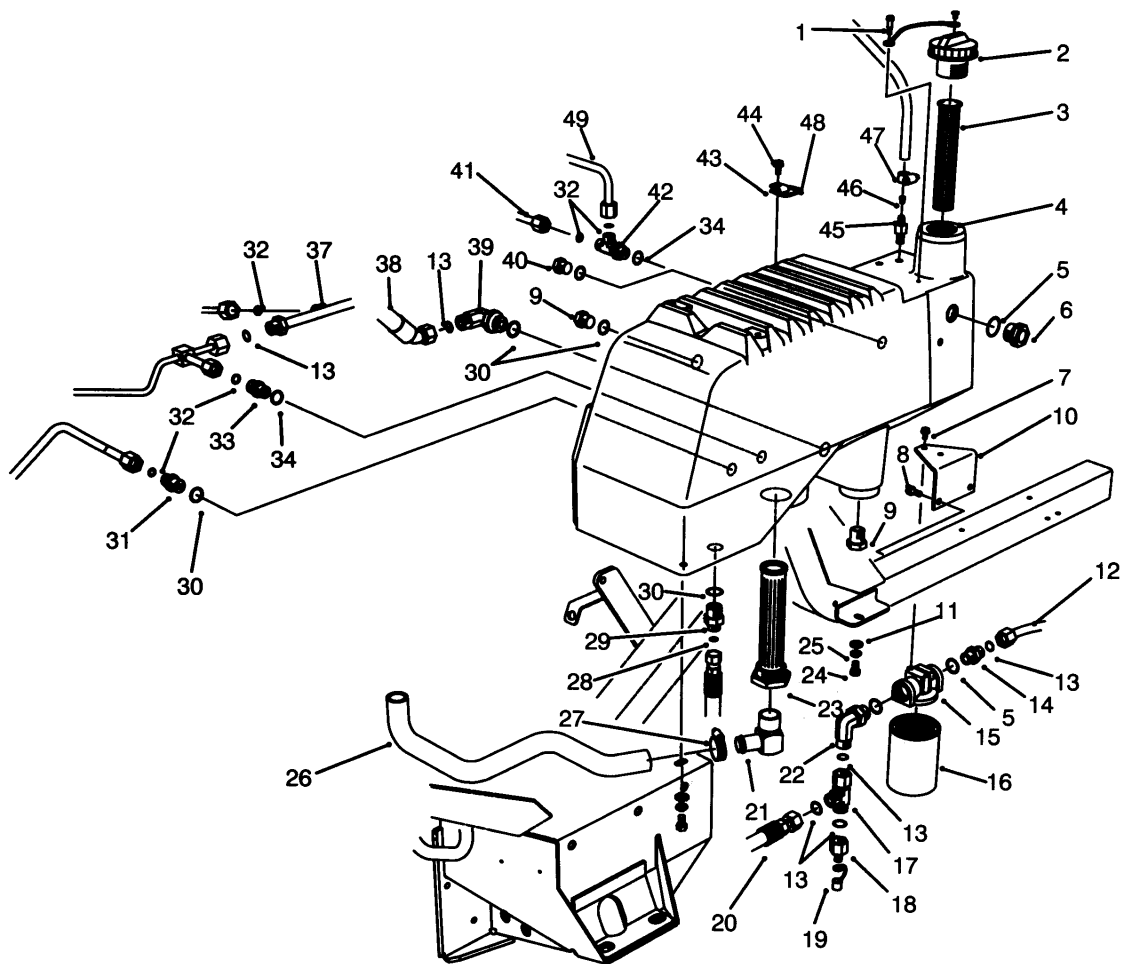
Ref.	Part Number	Qty.	Description	Ref.	Part Number	Qty.	Description
1	3234-12	2	Screw-HHF	23	76-5300	1	Fuel Filter ASM
2	76-9790	1	Foam-Tank, Fuel	24	2412-36	1	Clamp-Hose
3	93-3102	1	Cap-Fuel	25	14-0859	1	Fuel Tank Plate Assembly (Incl. Ref. #38)
4	76-6600	1	Pipe-Stand	26	2812-1	1	Bushing-Pipe
5	2412-108	6	Clamp-Worm	27	285-22	1	Plug-Pipe
6	46-6550	2	Fitting-Elbow, 90 DEG	28	62-7650	1	Gasket
7	63-7626	1	Hose-Fuel	29	74-5860	1	Sender-Fuel
8	63-7627	1	Hose-Fuel	30	3253-15	5	Washer-Lock
9	46-6560	2	Bushing	31	32122-24	5	Screw-PTH
10	68-6150	2	Breather	32	74-5580	1	Tank-Fuel
11	3256-24	9	Washer-Flat	34	321-2	1	Screw-HH
12	76-8780	1	Decal-Caution, Fuel	35	70-1480	1	Relay
14	354-95	1	Fitting-Straight	36	3296-42	1	Nut-Lock, NI
16	354-94	1	Fitting-Female, Barbed	37	77-4200	1	Wire Harness/Relay
17	74-9122	1	Hose-Overflow, Radiator	38	32148-10	3	Insert-Nut
18	240-6	3	Grommet-Rubber	39	82-3660	1	Bracket-Cover
20	323-7	2	Screw-HH	40	323-4	7	Screw-HH
21	3253-21	9	Washer-Lock	41	92-9740	1	Wire Harness
22	63-7622	2	Hose-Fuel				



Fuel Filter Assembly No. 76-5300

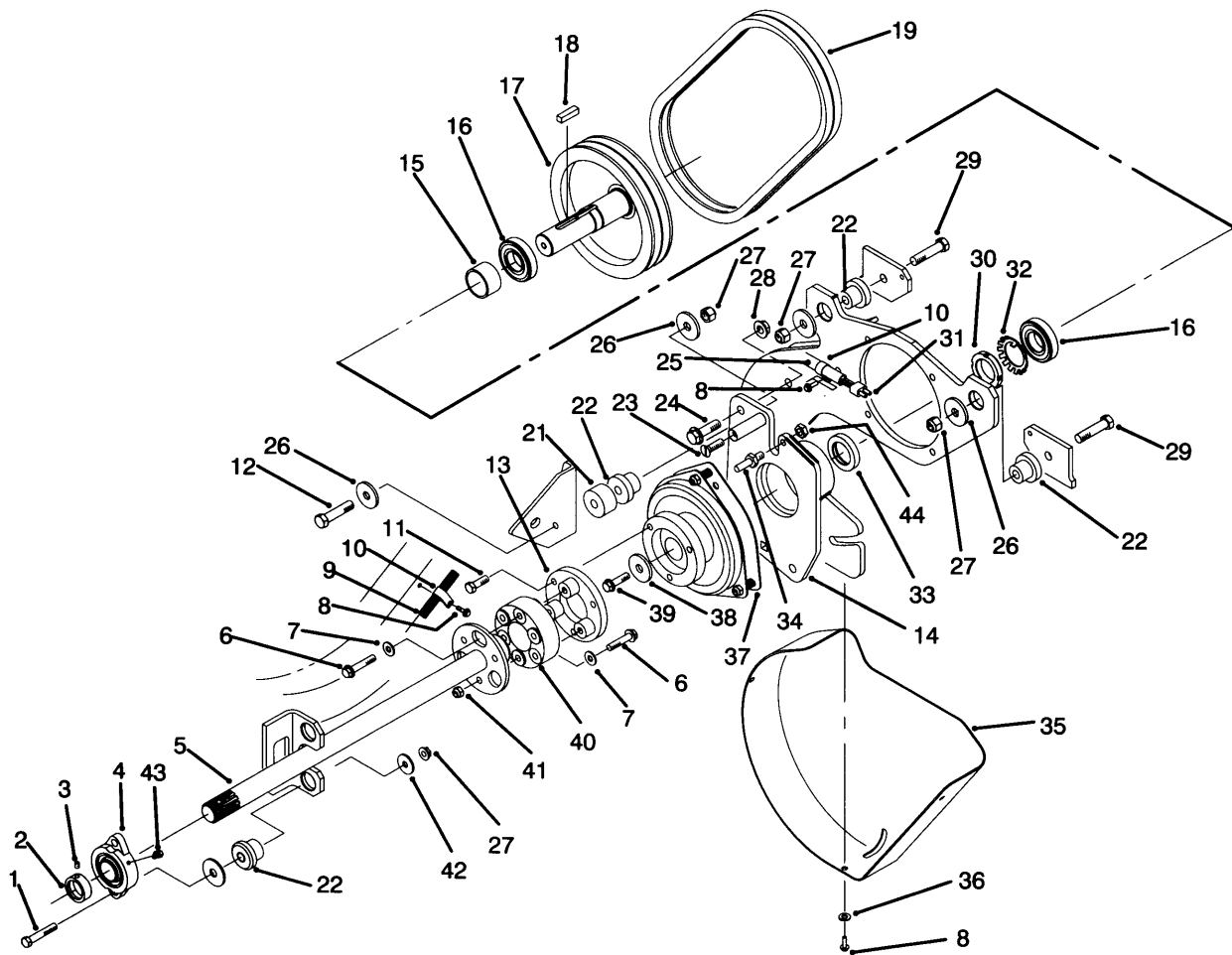
Ref.	Part Number	Qty.	Description
1	76-5180	4	Washer-Copper
2	76-5190	2	Fitting-Adjustable
3	76-5300	1	Fuel Filter Assembly (Incl. Ref. #7 & 9)
4		1	Seal-O-Ring ●
5	76-5220	1	Element-Filter (Incl. Ref. #4, 6 & 8)
6		1	Seal-Gasket ●
7		1	Cap-Fuel Filter ●
8		1	Seal-Gasket ●
9	76-5320	1	Probe-Sensor, Water

● Not serviced separately



Hydraulic Reservoir Assembly

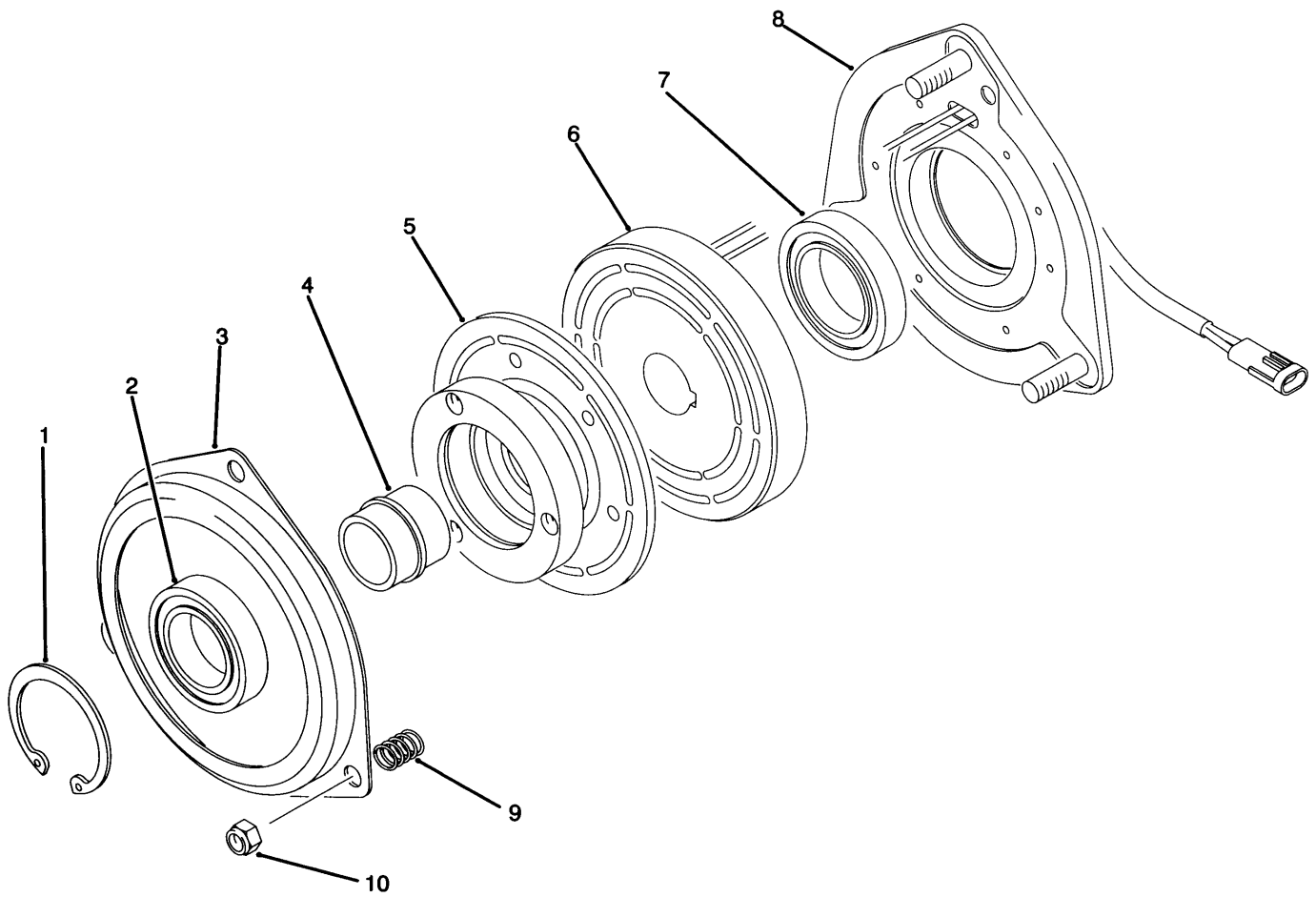
Ref.	Part Number	Qty.	Description	Ref.	Part Number	Qty.	Description
1	57-5420	1	Screw-Shoulder	25	63-8410	3	Washer
2	93-7160	1	Cap-Oil, HYD	26	86-2800	1	Hose-Suction
3	61-2790	1	Filter-Screen	27	2412-34	1	Clamp-Hose
4	82-3700	1	Reservoir, HYD	28	237-22	1	O-Ring
5	237-81	3	O-Ring	29	340-141	1	Fitting-HYD, Straight
6	69-1170	1	Glass-Sight	30	237-80	3	O-Ring
7	3234-13	2	Screw-HHF	31	340-6	1	Fitting-HYD, Straight
8	32144-11	2	Screw-HWHTF	32	237-30	5	O-Ring
9	353-551	2	Plug-HH	33	75-9550	1	Check Valve
10	92-5840	1	Bracket-Oil Filter	34	237-79	3	O-Ring
11	240-11	3	Bushing-Flange	37	86-5800	1	Tube Assy-Oil Cooler
12	74-6400	1	Filter Line Tube ASM	38	86-3150	1	Hose ASM
13	237-65	6	O-Ring	39	340-17	1	Fitting-HYD, 90 DEG
14	340-8	1	Adapter	40	353-550	1	Plug-HYD, HH
15	92-5821	1	Filter Head ASM	41	74-6230	1	Tube ASM
16	86-3010	1	Filter-Oil	42	340-109	1	Fitting-HYD, Tee
17	340-147	1	Fitting-HYD, Tee	43	76-9950	4	Bracket-Ring
18	86-5860	1	Nipple	44	32144-4	4	Screw-HWH
19	353-947	1	Cap-Dust, Rubber	45	354-103	1	Hose-Male, Barbed
20	86-5500	1	Hose ASM	46	74-4080	1	Orifice
21	354-87	1	Fitting-HYD, 90	47	2412-36	1	Clamp-Hose
22	340-139	1	Fitting-HYD, 90 DEG	48	249-49	1	D-Ring
23	75-0550	1	Suction-Strainer	49	86-5810	1	Velocity Tube ASM
24	323-5	3	Screw-HH				



Power-Take-Off Shaft and Clutch Assembly

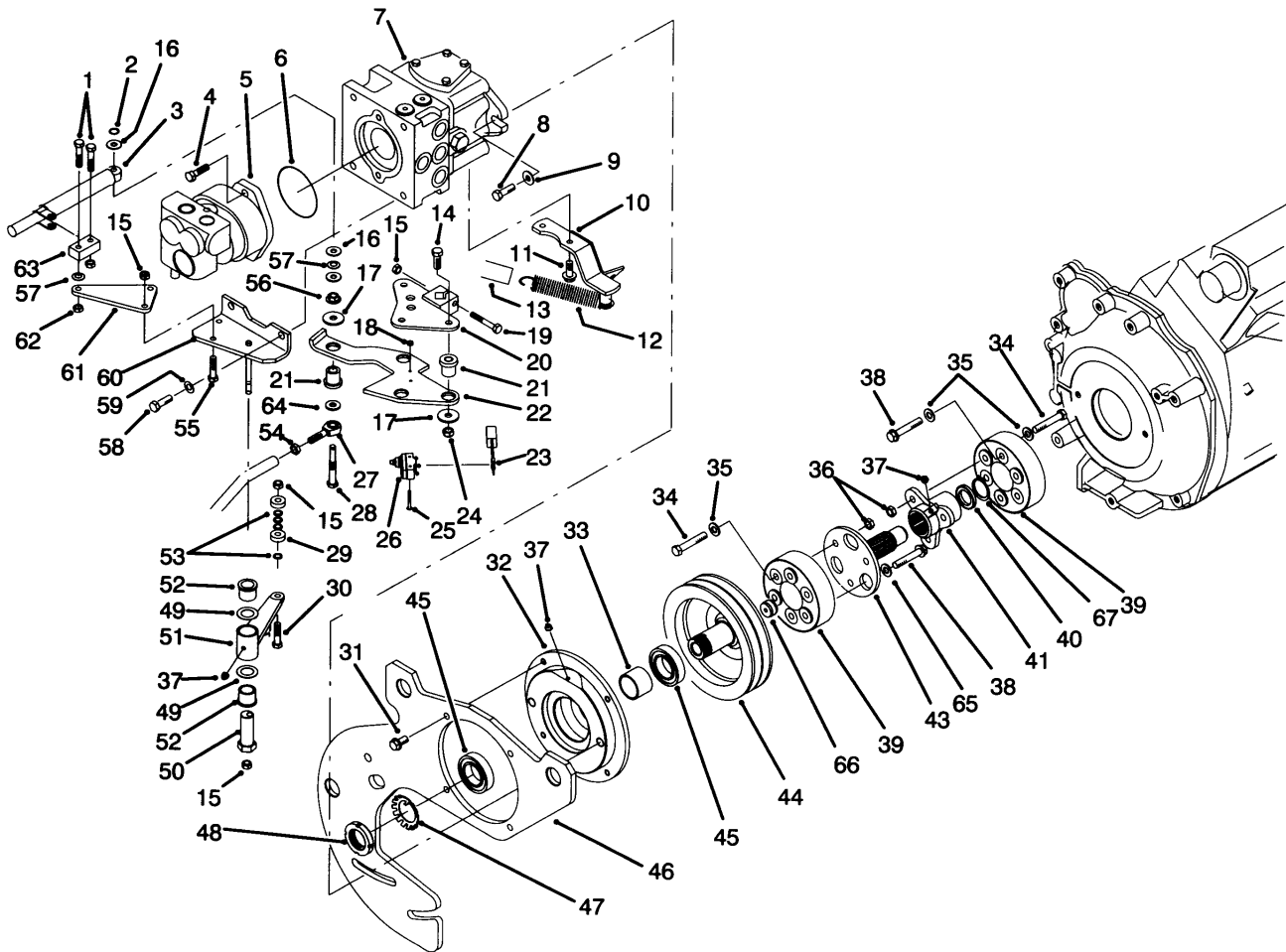
Ref.	Part Number	Qty.	Description	Ref.	Part Number	Qty.	Description
1	3274-71	2	Screw-HSH	24	3234-22	3	Screw-HHF
2		1	Collar-Bearing ●	25	86-3030	1	Cover-Wire
3		1	Screw-Set ●	26	84-1560	4	Washer-Thrust
4	86-5620	1	Bearing (Incl. Ref. 2 & 3)	27	3296-25	5	Nut-Lock, NI
5	84-1320	1	Shaft-Rt.O.	28	32128-49	3	Nut-HHF
6	66-9303	6	Screw-Flange Head	29	325-9	2	Screw-HH
7	3256-24	6	Washer-Flat	30	88-1450	1	Locknut-Bearing
8	32144-11	5	Screw-HWHTF	31	86-5820	1	Wire Harness-Main
9	86-5470	1	Wire Harness-Front	32	88-1460	1	Washer-Lock
10	2412-109	2	Clip-J	33	88-1150	1	Spacer-Clutch
11	48-9470	3	Screw	34	92-5817	1	Pin-Stop, Clutch
12	325-14	1	Screw-HH	35	88-1280	1	Cover-Belt, Lower
13	84-1410	1	Adapter-Clutch	36	3256-70	3	Washer-Flat
14	92-5818	1	Housing-Bearing, Lower	37	86-5610	1	Clutch
15	88-1140	1	Spacer-Bearing, Lower	38	84-1580	1	Washer-Clutch
16	251-310	2	Bearing-Ball	39	3234-18	1	Screw-HHF
17	84-0180	1	Pulley-Lower	40	86-3040	1	Coupler-Line, Drive
18	84-1540	1	Key-Clutch	41	3296-39	3	Nut-Lock, NI
19	88-1170	1	V-Belt (Matched Set)	42	86-1990	4	Washer
21	84-1570	1	Spacer-Plate	43	302-60	1	Fitting-Grease
22	84-1550	5	Mount-Rubber	44	3296-47	1	Nut-Lock, NI
23	88-1510	1	Screw-Special				

● Not serviced separately



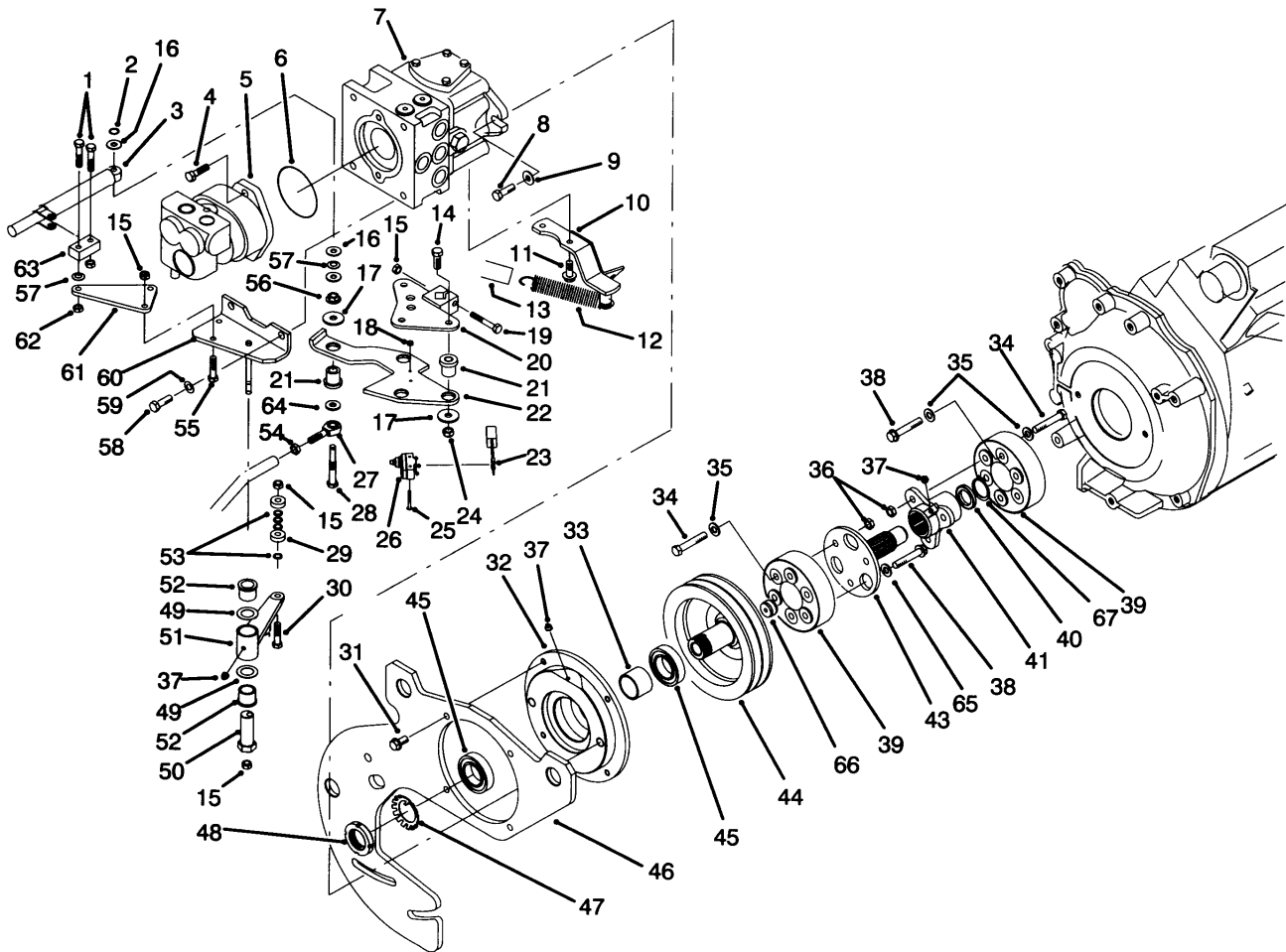
Clutch Assembly No. 86-5610

<i>Ref.</i>	<i>Part Number</i>	<i>Qty.</i>	<i>Description</i>
3	88-1370	1	Plate-Brake
4		1	Collar-Bearing
5	88-1620	1	Assembly-Armature (Incl. Ref. #1, 2 & 4)
6		1	Assembly-Field Coil
7		1	Bearing-Field
8	88-1610	1	Assembly-Field Rotor (Incl. Ref. #6 & 7)
9	44-8320	3	Spring
10	3296-6	3	Nut-Lock



Hydraulic Pump Installation Assembly

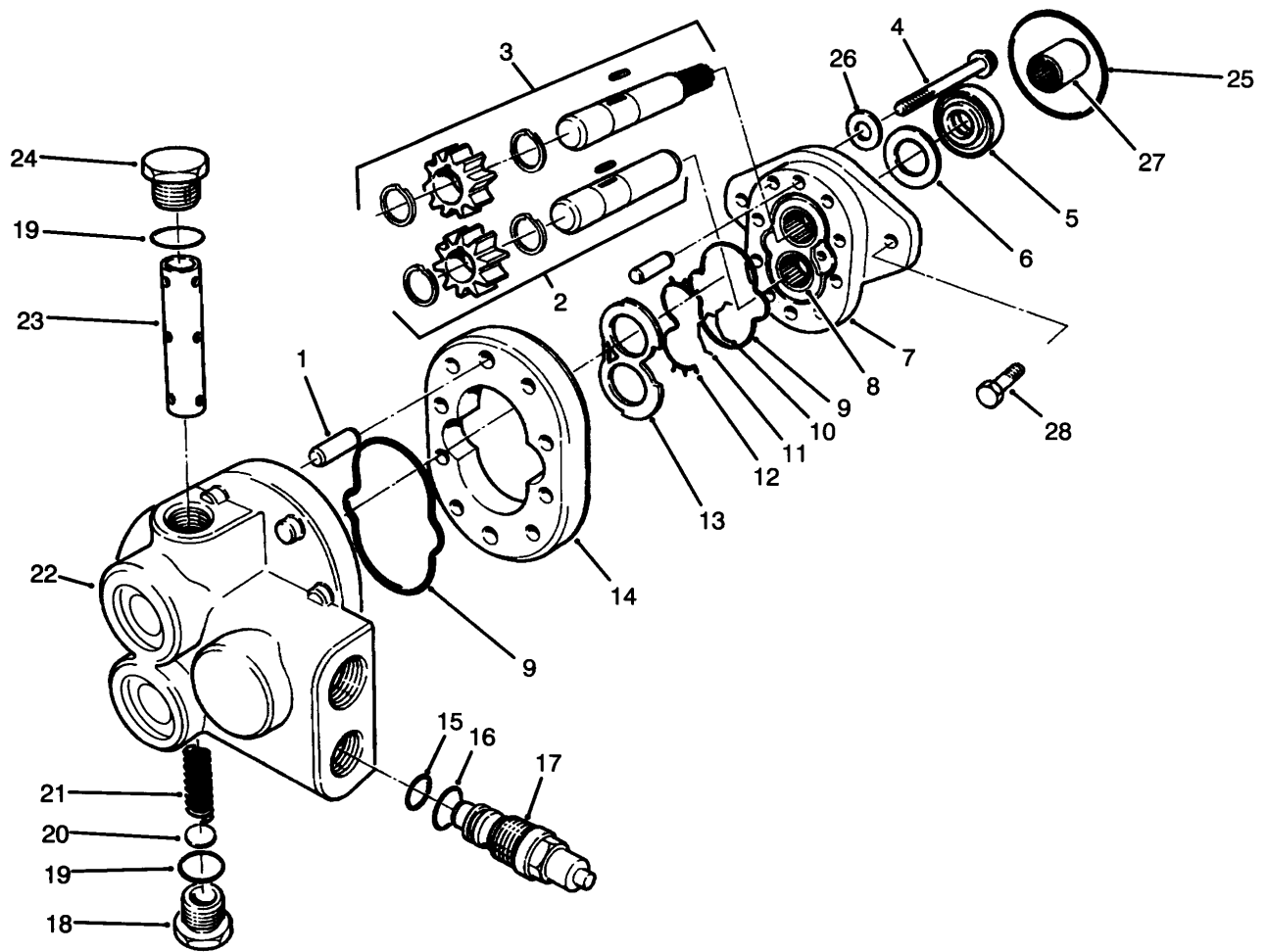
Ref.	Part Number	Qty.	Description	Ref.	Part Number	Qty.	Description
1	322-6	2	Screw-HH	29	251-259	2	Bearing-Ball
2	32151-73	1	Ring-Clip	30	322-7	1	Screw-HH
3	76-8870	1	Lever Damper ASM	31	3234-1	4	Screw-HHF
4	323-7	2	Screw-HH	32	84-0750	1	Housing-Bearing
5	92-7761	1	Gear Pump Assy	33	86-5940	1	Spacer-Bearing, Upper
6	237-161	1	O-Ring	34	323-47	6	Screw-HH
7	86-5590	1	Pump ASM	35	3256-24	9	Washer-Flat
8	3213-2	2	Screw-HH	36	3296-39	6	Nut-Lock, NI
9	3256-26	2	Washer-Flat	37	302-5	3	Fitting-Grease
10	84-1380	1	Anchor-Spring	38	66-9303	6	Screw-Flange Head
11	32144-26	2	Screw-Flow, Taptite	39	86-3040	2	Coupler-Line, Drive
12	76-9430	1	Spring-Extension	40	253-43	1	Seal-Oil
13	84-1480	1	Hose-Dampener	41	84-1330	1	Hub-Splined
14	323-29	3	Screw-HH	43	84-1030	1	Driveshaft
15	3296-29	5	Nut-Lock, NI	44	84-0170	1	Pulley-P.T.O.
16	3256-71	3	Washer-Flat	45	251-314	2	Bearing-Ball
17	63-8410	3	Washer	46	86-2830	1	Plate-Adapter, Main
18	3296-9	2	Nut-Lock	47	88-1440	1	Washer-Lock
19	322-10	1	Screw-HH	48	88-1430	1	Locknut-Bearing
20	82-5180	1	Control-Pump	49	3-6498	2	Washer-Thrust
21	63-9751	4	Mount	50	76-8640	1	Stud-Traction
22	88-1470	1	Plate-Control, Pump	51	92-2581	1	Neutral Switch Arm Assy. (Incl. Ref. #37 & 52)
23	86-3020	1	Wire-Switch, Neutral	52	256-113	2	Bushing-Flange
24	3296-59	3	Nut-Lock, NI	53	75-5470	4	Spacer-Bearing
25	3249-11	2	Screw-Machine	54	3220-3	1	Nut-HJ
26	29-6163	1	Switch-Micro	55	322-5	2	Screw-HH
27	2411-36	1	Bearing-End, Rod	56	3290-357	1	Nut-HHF, Whiz
28	82-5280	1	Shaft-Pivot				



Hydraulic Pump Installation Assembly (continued)

<i>Ref.</i>	<i>Part Number</i>	<i>Qty.</i>	<i>Description</i>
57	3290-477	2	Washer-Curved
58	324-4	2	Screw-HH
59	3253-6	2	Washer-Lock
60	84-1500	1	Neutral Bracket Wa *b
61	82-5240	1	Plate-Pivot
62	3296-47	2	Nut-Lock, NI

<i>Ref.</i>	<i>Part Number</i>	<i>Qty.</i>	<i>Description</i>
63	76-9760	1	Damper-Pivot
64	3256-3	1	Washer-Flat
65	80-7730	3	Spacer
66	92-1351	1	Plug-Pulley
67	32120-74	1	Ring-Snap

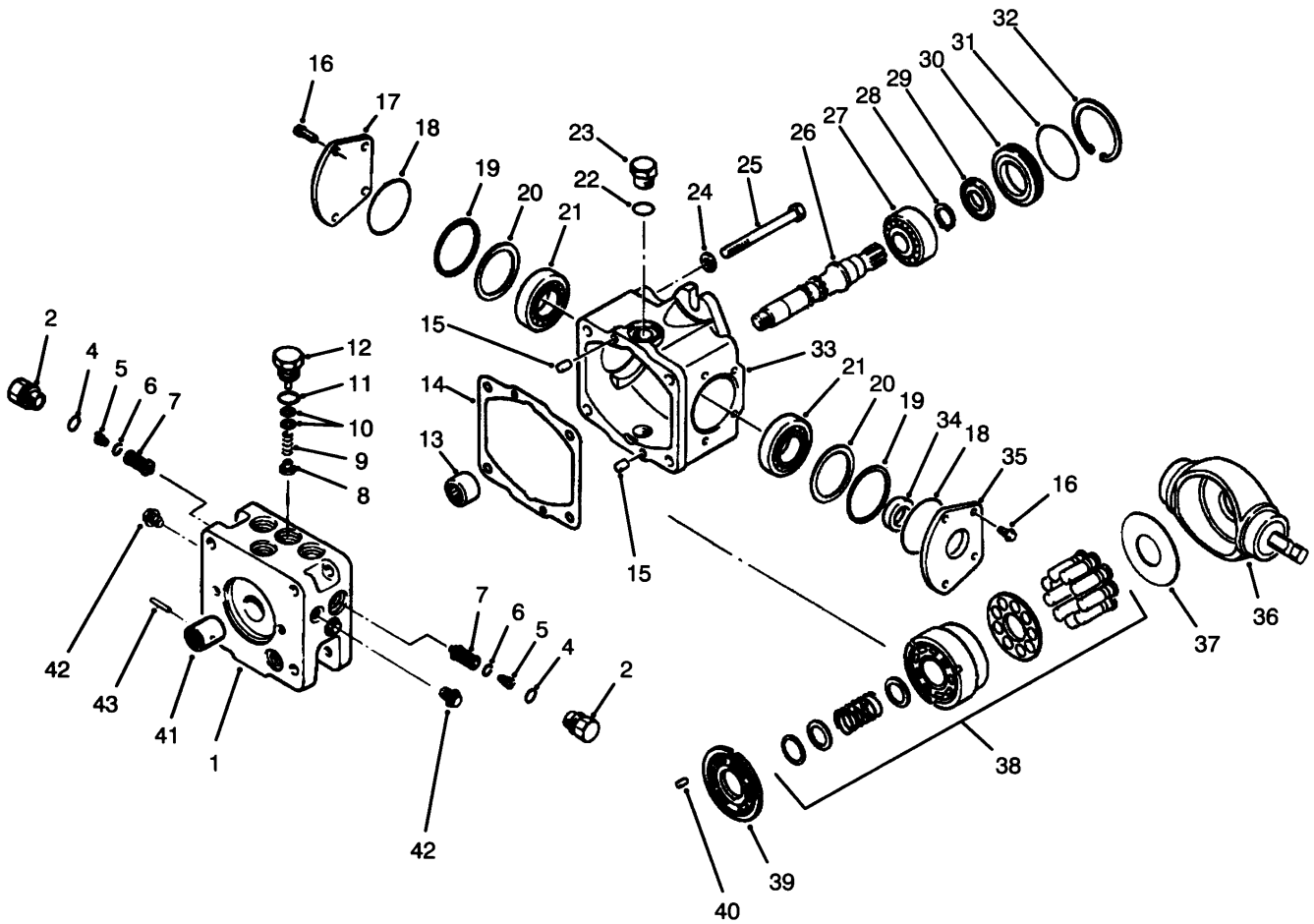


Gear Pump Assembly No. 92-7761

Ref.	Part Number	Qty.	Description	Ref.	Part Number	Qty.	Description
1		4	Pin-Dowel ■	16		1	Seal-O-Ring ■
2	88-3740	1	Idler Gear ASM	17	74-9000	1	Relief Valve Assy. (Incl. Ref. #15 & 16)
3	88-3750	1	Drive Gear Assy	18	60-5710	1	Plug Assembly (Incl Ref. #19)
4	88-3760	8	Capscrew	20	60-5730	1	Disc
5	49-2640	1	Seal-Shaft	21	88-3770	1	Spring
6	60-5890	1	Washer	22	92-7783	1	Backplate Assembly ■
7	49-2660	1	Frontplate Assembly (Incl. Ref. #8)	23	74-8990	1	Spool Assy ■
8		2	Bearing-Needle ■	24	60-5860	1	Plug Assembly (Incl. Ref. #19)
9	56-6710	2	O-Ring	25	237-161	1	O-Ring
10	49-2680	1	Molded O-Ring	26	74-8920	4	Washer-Copper
11	49-2700	1	Bearing Seal	27	74-9040	1	Coupler
12	49-2690	1	Gasket - Backup	28	323-7	2	Screw-HH
13	49-2670	1	Wear Plate		74-9020	1	Backplate Repair Kit ●
14	88-3730	1	Body Assembly (Incl. Ref. #1)		74-9010	1	Seal Kit ●
15		1	Seal-O-Ring ■				

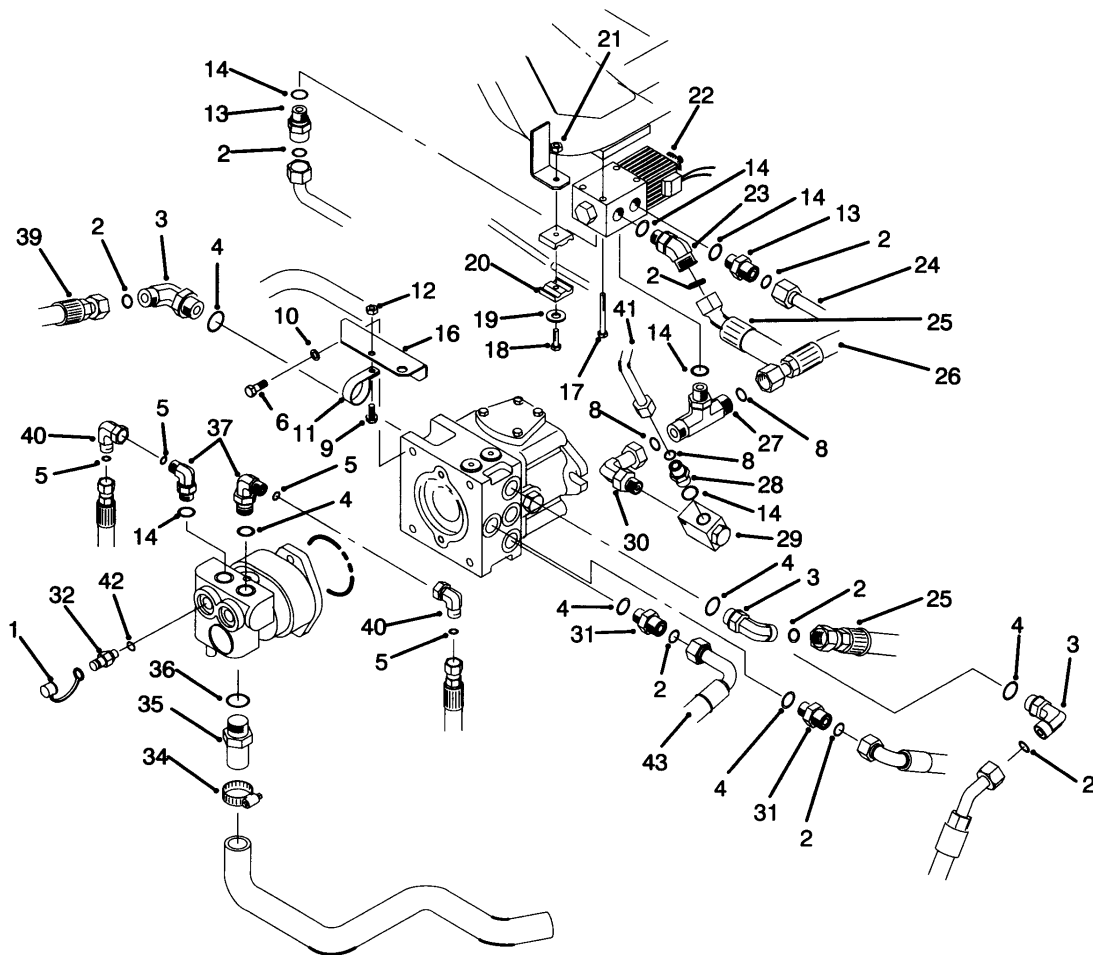
● Not Illustrated.

■ Not serviced separately



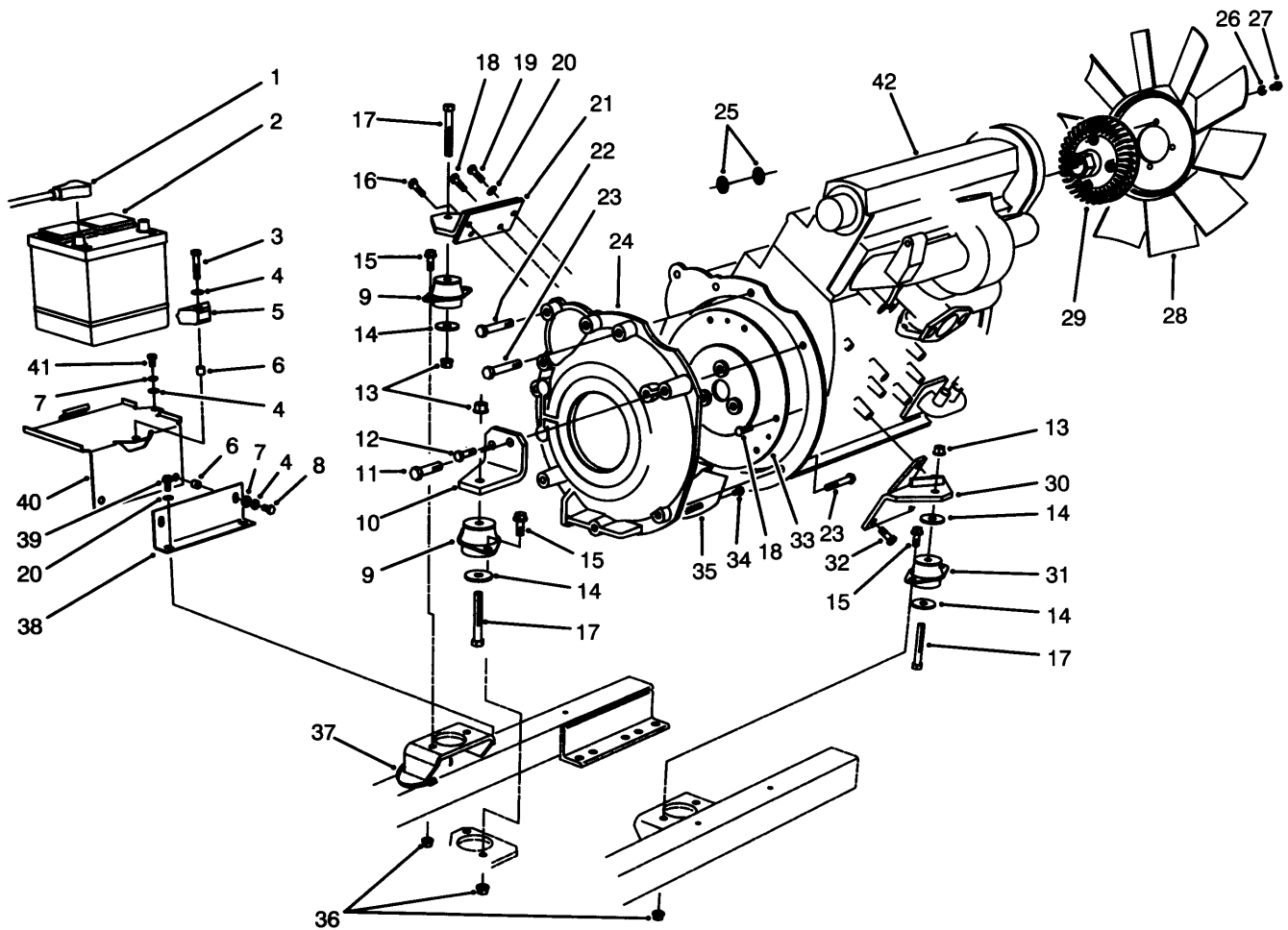
Traction Pump Assembly No. 86-5590

Ref.	Part Number	Qty.	Description	Ref.	Part Number	Qty.	Description
1	92-1354	1	Cap-End	23	237-80	3	O-Ring
2	92-1355	2	Plug-Special	24	84-0360	8	Washer
4	75-0240	2	O-Ring	25	84-0330	8	Screw-HH
5	75-0140	2	Spring-Conical	26	84-0300	1	Shaft - Pump
6	84-0550	2	Ring-Retaining	27	84-0310	1	Bearing-Ball
7	92-1356	2	Valve-Screw	28	84-0320	1	Ring-Retaining
8	84-0480	1	Poppet-Relief, Charge	29	84-0400	1	Seal-Lip
9	84-0490	1	Spring-Compression	30	84-0410	1	Carrier-Seal
10	92-1353	1	Shim Kit	31	28-3520	1	O-Ring
11	28-3570	1	O-Ring	32	84-0380	2	Ring-Retaining, Internal
12	84-0500	1	Charge Relief Plug ASM	33	84-0240	1	Housing-Pump
13	75-0500	1	Bearing-Needle	34	84-0470	2	Seal-Lip
14	84-0210	1	Gasket-Cap, End	35	84-0450	1	Cover-Trunnion
15	75-0480	2	Pin	36	84-0250	1	Swashplate-Variable
16	84-0460	8	Screw-HWHTF	37	75-0400	1	Plate-Thrust
17	84-0440	2	Cover-Trunnion	38	75-0470	1	Cylinder Block Kit
18	84-0430	4	O-Ring	39	84-0280	1	Plate-Valve, RH
19	84-0270	4	Spacer-Trunnion	40	75-0510	1	Pin
20	84-0570	4	Shim-Trunnion, Composite	41	92-1358	1	Coupling-9 Tooth
21	84-0260	4	Bearing-Roller, Tapered	42	92-1352	3	Plug
22	353-551	3	Plug Assembly (Incl. Ref. #23)	43	92-1357	1	Pin



Hydraulic Pump Fittings Assembly

Ref.	Part Number	Qty.	Description	Ref.	Part Number	Qty.	Description
1	353-947	2	Cap-Dust, Rubber	23	340-55	1	Fitting-HYD, 45 DEG
2	237-65	8	O-Ring	24	86-2770	1	4Wd Tube ASM
3	340-17	2	Fitting-HYD, 90 DEG	25	92-5828	1	Hose ASM
4	237-80	6	O-Ring	26	86-2710	1	Hose ASM
5	237-22	4	O-Ring	27	340-157	1	Fitting-HYD, Tee
6	324-4	2	Screw-HH	28	340-4	1	Fitting-HYD, Straight
8	237-30	3	O-Ring	29	84-0720	1	Valve-Fuse, Velocity
9	322-2	1	Screw-HH	30	340-165	1	Fitting-HYD, Elbow
10	3253-6	2	Washer-Lock	31	340-7	2	Adapter
11	2412-104	1	R-Clamp	32	354-77	2	Fitting-Quick
12	32128-20	1	Nut-HF	34	2412-34	1	Clamp-Hose
13	340-155	2	Fitting-HYD, Straight	35	354-78	1	Connector-Hose
14	237-79	6	O-Ring	36	237-146	1	O-Ring
16	88-1290	1	Bracket-Rod, Seat	37	340-18	2	Fitting-HYD, 90 DEG
17	321-15	2	Screw-HH	38	86-5500	1	Hose ASM
18	322-6	1	Screw-HH	39	86-3150	1	Hose ASM
19	3256-23	1	Washer-Flat	40	340-159	2	Fitting-Hydraulic 90Deg. (Incl. Ref. #5)
20	56-7973	2	Clamp-Tube	41	86-5810	1	Velocity Tube ASM
21	3296-47	1	Nut-Lock, NI	42	237-78	2	O-Ring
22	76-9970	1	Four Wheel Drive Valve ASM	43	92-5830	1	Traction Hose ASM

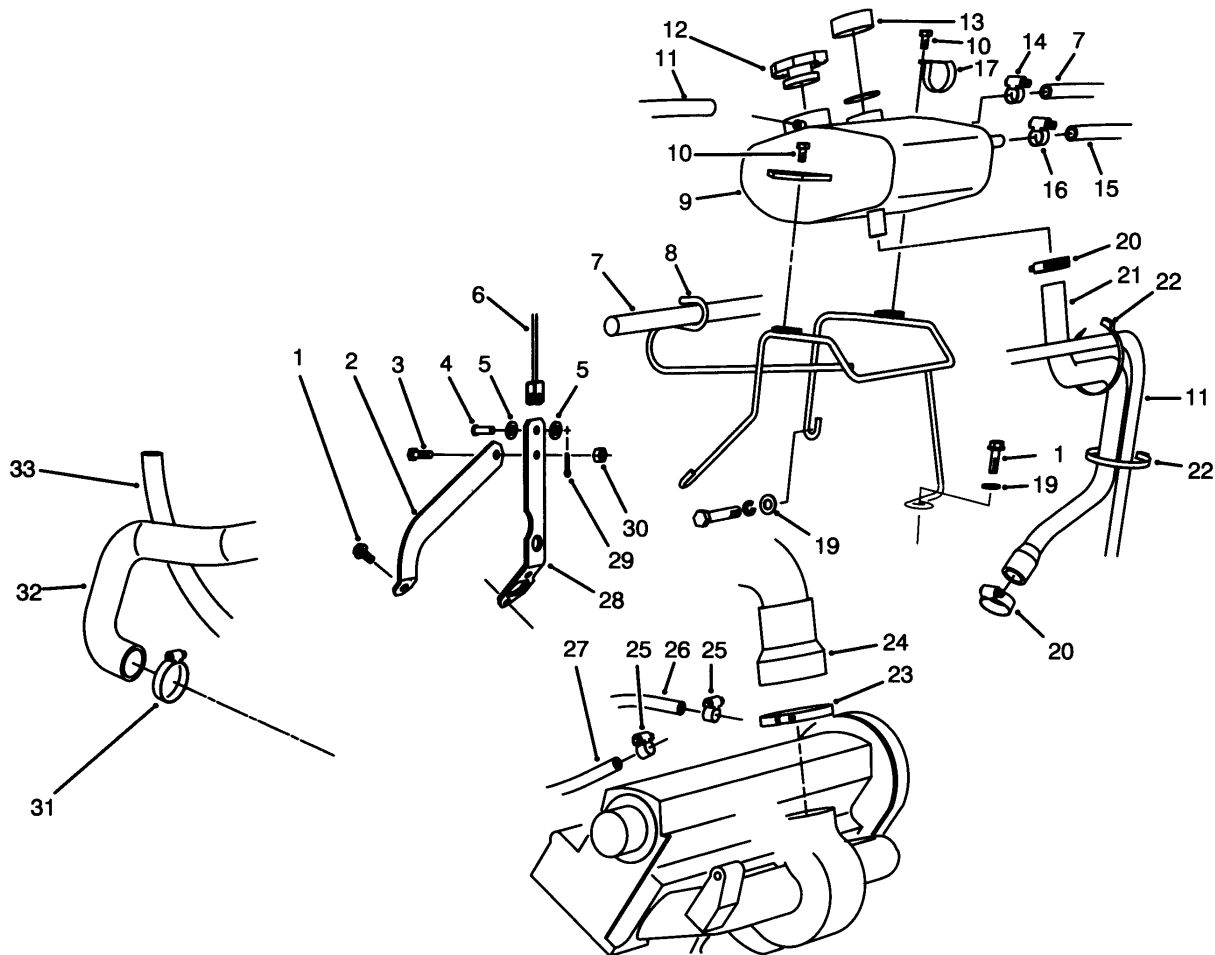


Engine and Battery Installation Assembly

Ref.	Part Number	Qty.	Description	Ref.	Part Number	Qty.	Description
1	74-9080	1	Cable-Battery, Positive	22	48-7810	3	Screw
	74-9090	1	Cable-Battery, Negative ●	23	48-7570	3	Screw-HH
2		1	Battery ■	24	84-0760	1	Adapter-Pump To Engine
3	323-9	1	Screw-HH	25	86-2990	2	Mount-Cable, Throttle
4	3256-24	4	Washer-Flat	26	3253-4	4	Washer-Lock
5	66-2490	1	Retainer-Battery	27	322-3	8	Screw-HH
6	32148-9	3	Insert-Nut	28	74-3650	1	Fan
7	3253-21	3	Washer-Lock	29	74-5520	1	Clutch-Fan
8	323-33	2	Capscrew	30	76-4220	1	Mount-Engine
9	53-9681	2	Mount-Engine-Yellow	31	53-9682	1	Mount-Engine-Green
10	74-5470	1	Mount-Engine	32	48-7780	3	Screw
11	48-7840	1	Bolt	33	84-1440	1	Plate-Adapter
12	48-9470	1	Screw	34	48-7610	3	Screw
13	32128-37	3	Nut-HF	35	77-3600	1	Shield-Adapter
14	87-5100	4	Washer-Snubbing	36	3290-357	6	Nut-HHF, Whiz
15	3234-11	8	Screw-HHF	37	3290-378	1	Tie-Cable
16	48-9460	1	Screw-HH	38	76-4310	1	Bracket-Battery Base
17	324-12	3	Screw-HH	39	32144-11	2	Screw-HWHTF
18	48-7700	8	Screw-HH	40	14-0949	1	Battery Base Assembly (Incl. Ref. #6)
19	48-7730	1	Screw-HH	41	323-4	1	Screw-HH
20	3255-8	2	Washer-Lock	42	74-5511	1	Engine Assembly
21	76-4120	1	Mount-Engine				

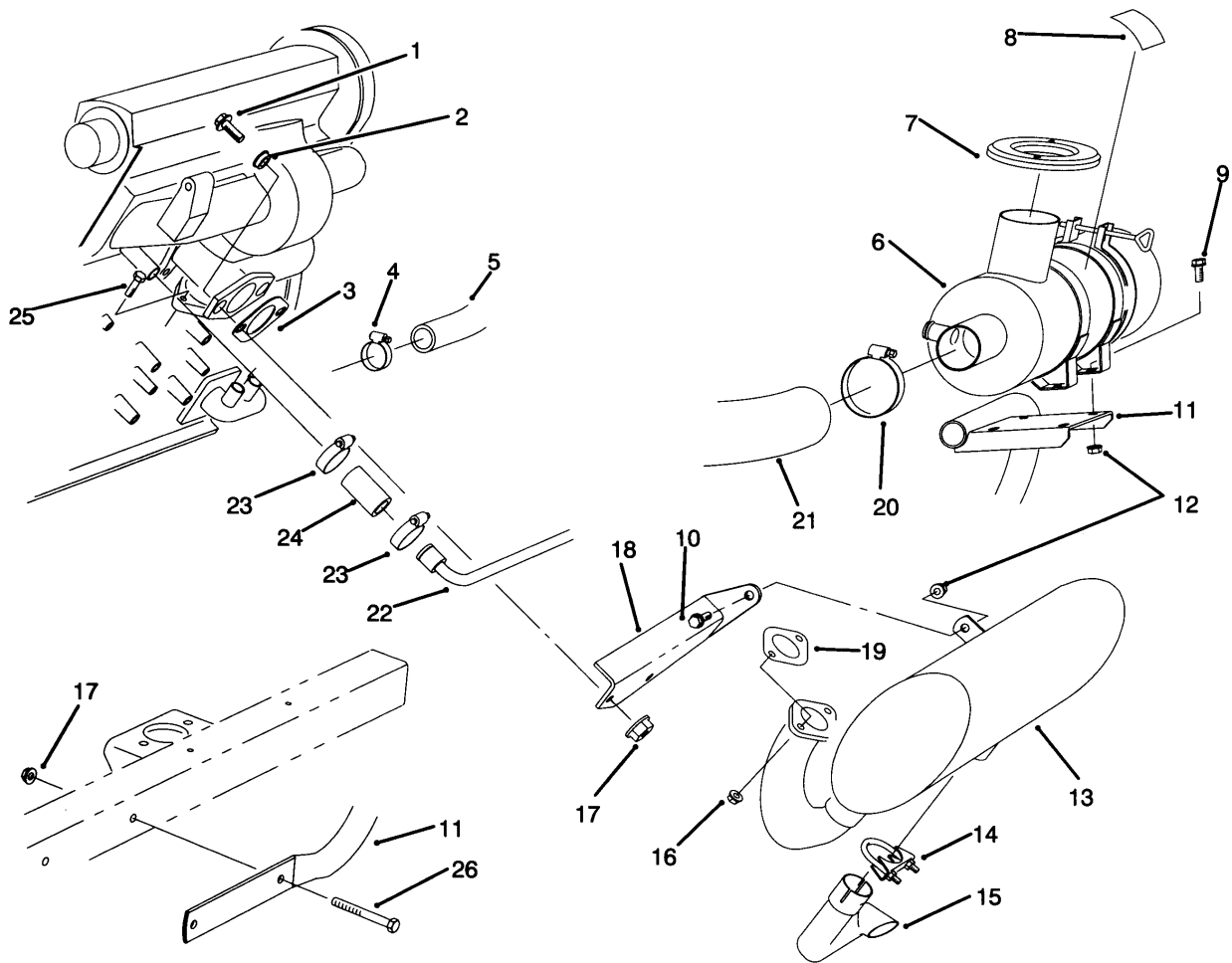
● Not illustrated

■ Not serviced separately



Engine Plumbing Assembly

<i>Ref.</i>	<i>Part Number</i>	<i>Qty.</i>	<i>Description</i>	<i>Ref.</i>	<i>Part Number</i>	<i>Qty.</i>	<i>Description</i>
1	77-3900	2	Screw - Hex Head, Metric	19	3256-3	2	Washer-Flat
2	74-4050	1	Bracket - Hood Stop*b	20	2412-129	2	Clamp-Hose
3	3234-5	1	Screw-HHF	21	74-6010	1	Hose - Over Flow
4	283-58	1	Pin-Clevis	22	3290-378	2	Tie-Cable
5	62-1230	2	Washer-Rubber	23	2412-125	1	Clamp-Hose
6	66-2871	1	Cable-Stop, Hood	24	74-6030	1	Hose - Air Cleaner
7	74-6040	1	Hose Return	25	2412-108	2	Clamp-Worm
8	92-6579	1	Wire Form Wa	26	63-7627	1	Hose-Fuel
9	77-3550	1	Degassing Box F/W	27	63-7622	1	Hose-Fuel
10	46-6810	2	Screw And Washer ASM	28	77-3890	1	Bracket - Hood Stop *b
11	55-4130	1	Hose-Fuel	29	3272-10	1	Pin-Cotter
12	66-3240	1	Cap-Radiator	30	32128-20	1	Nut-HF
13	77-3560	1	Plug & Gasket F/W	31	2412-3	2	Clamp-Hose
14	2412-119	3	Clamp-Worm	32	74-5930	1	Hose - Rad Upper
15	74-9120	1	Hose-Overflow, Radiator	33	74-9122	1	Hose-Overflow, Radiator
16	2412-36	1	Clamp-Hose	34	2412-104	1	R-Clamp
17	2412-96	1	Clamp-R				

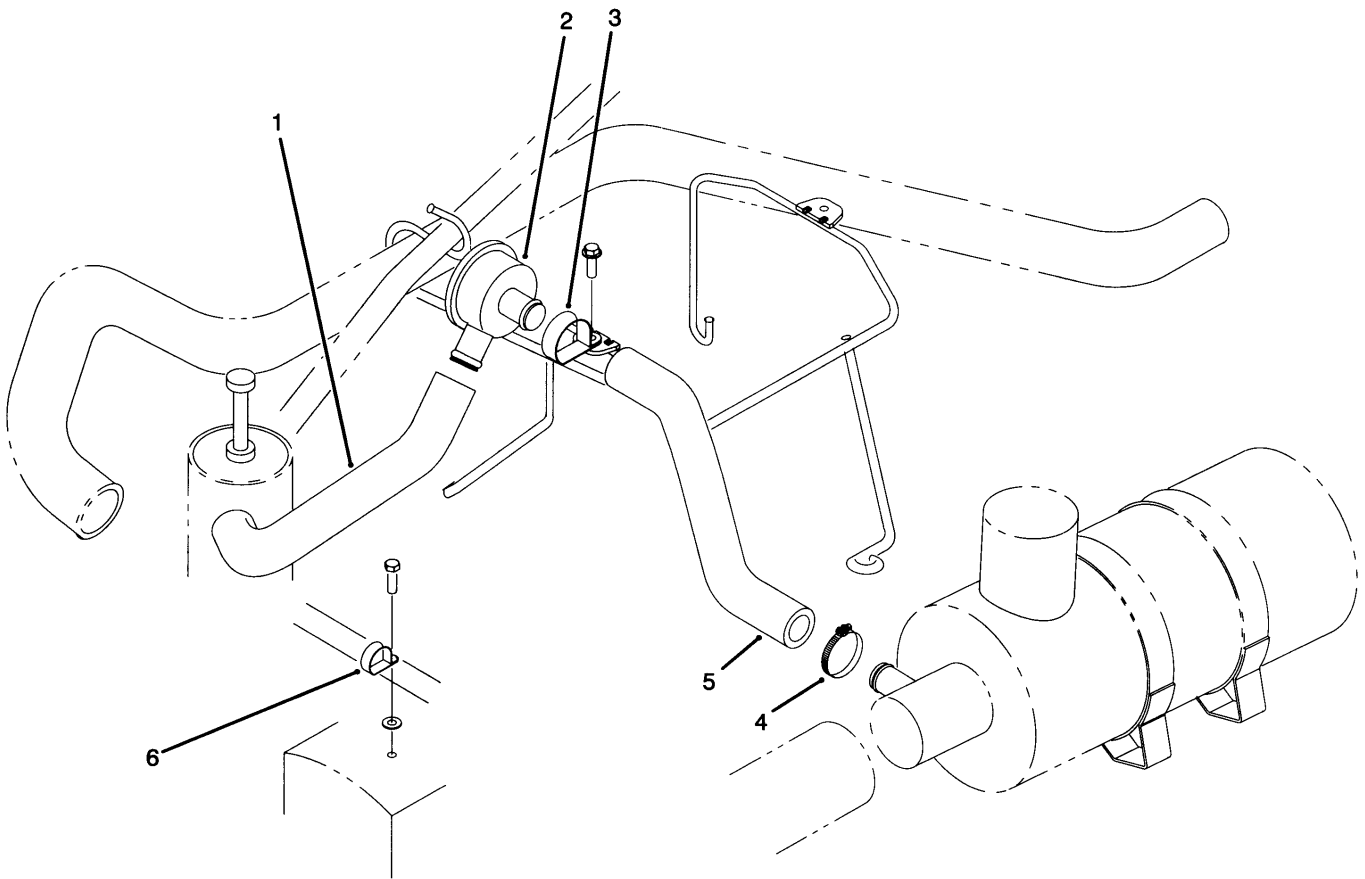


Muffler and Air Cleaner Installation Assembly

Ref.	Part Number	Qty.	Description
1	3243-11	2	Screw-Hex. Flange Hd.
2	76-4230	2	Guide-Exhaust Manifold
3	74-5590	1	Gasket-Exhaust Manifold
4	2412-3	2	Clamp-Hose
5	74-6020	1	Hose-Radiator, Lower
6	74-6000	1	Air Cleaner
7	88-1490	1	Holder-Foam
8	83-9150	1	Decal-Fluid, Starting
9	322-3	4	Screw-HH
10	3234-5	1	Screw-HHF
11	92-6578	1	Bracket-Air Cleaner
12	32128-20	5	Nut-HF
13	92-6568	1	Exhaust - Muffler
	77-3990	1	Spark Arrestor ●

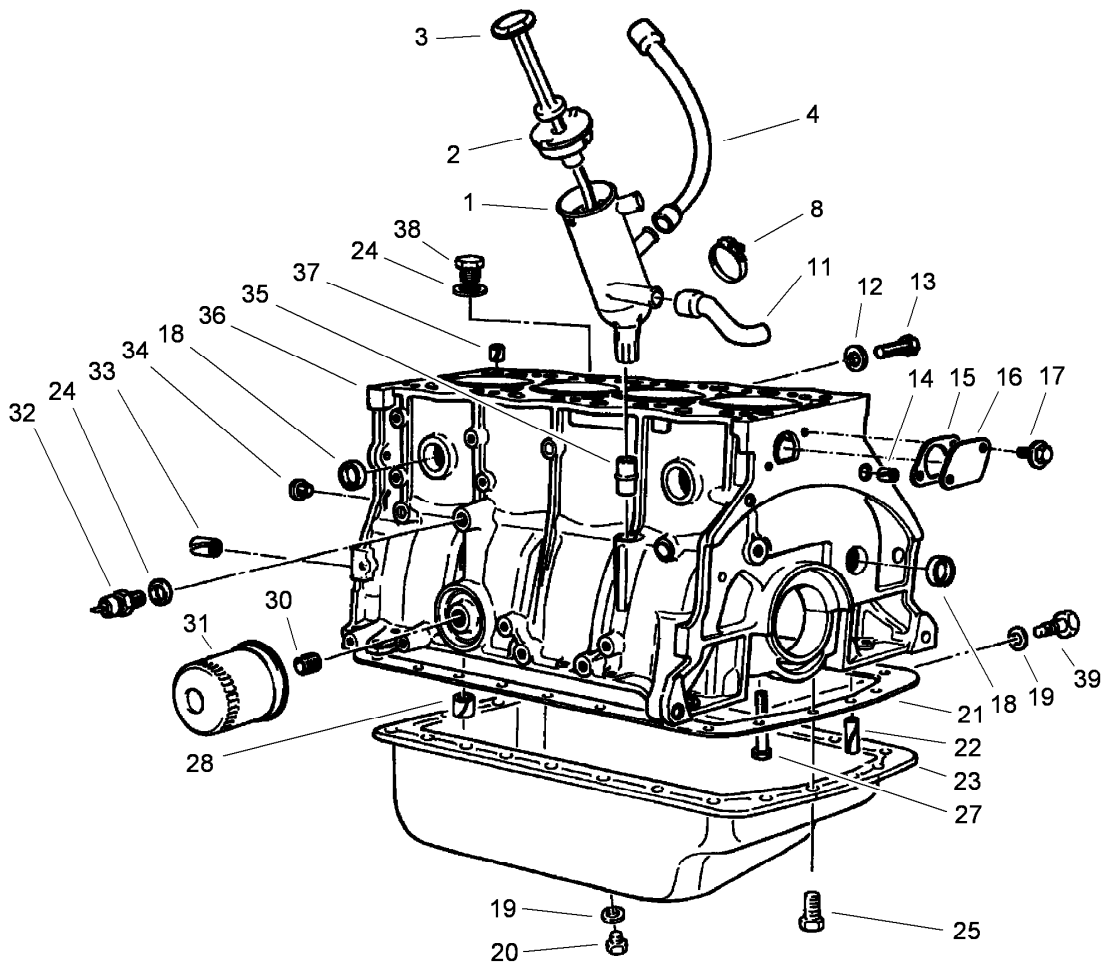
Ref.	Part Number	Qty.	Description
14	2112-9	1	Clamp
15	86-5650	1	Pipe-Exhaust
16	32128-13	2	Nut-HF
17	32128-19	4	Nut-HF
18	92-2565	1	Bracket-Muffler
19	77-3700	1	Gasket-Muffler, Exhaust
20	2412-130	1	Clamp-Hose
21	74-6030	1	Hose - Air Cleaner
22	74-4900	1	Water Return Tube
23	2412-129	3	Clamp-Hose
24	74-6490	2	Hose-Line, Water
25	322-16	2	Screw-HH
26	323-20	2	Screw-HH

● Not illustrated



PCV Valve Plumbing Assembly

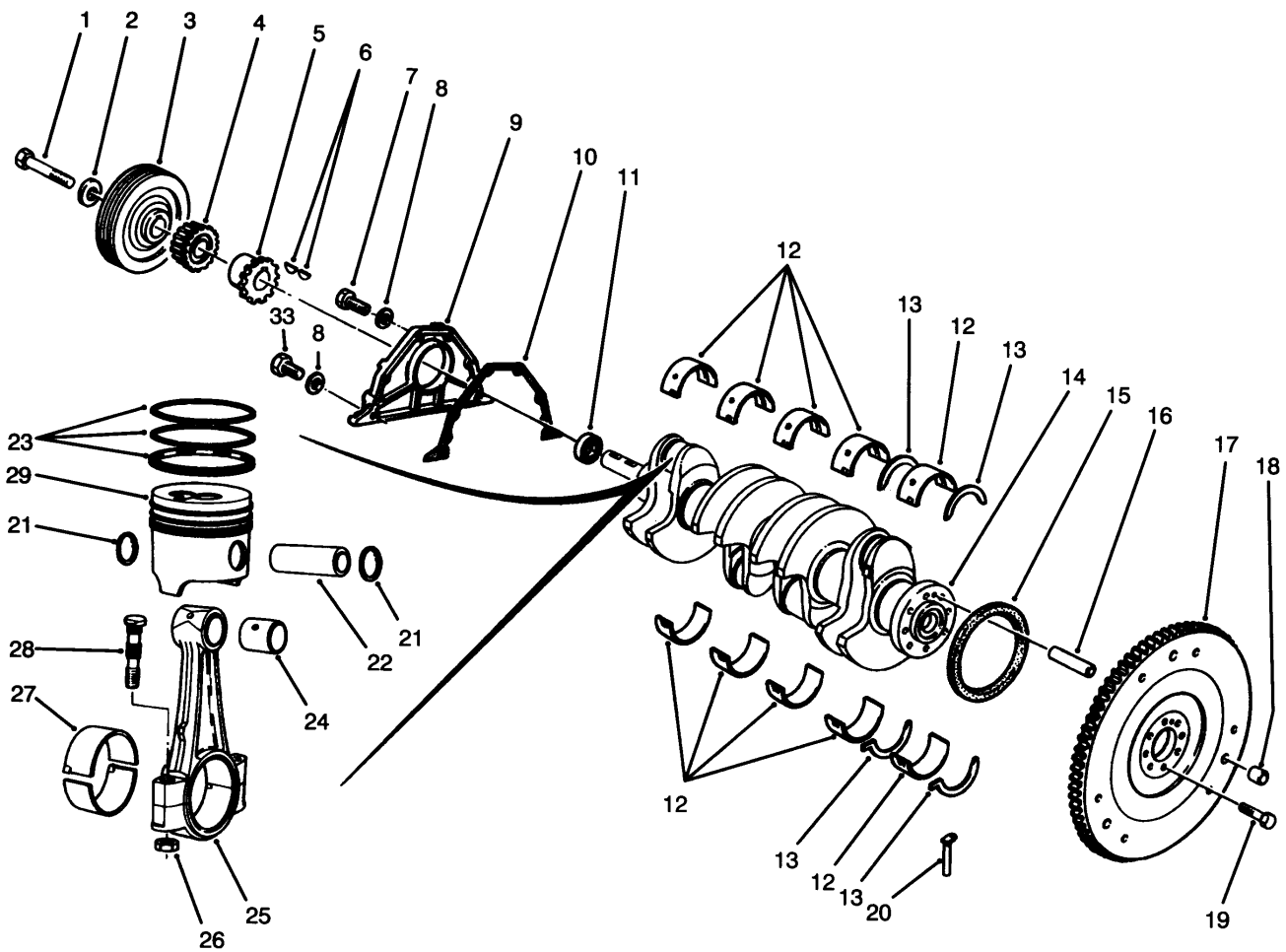
<i>Ref.</i>	<i>Part Number</i>	<i>Qty.</i>	<i>Description</i>
1	92-5847	1	Hose - Pcv Valve
2	74-5760	1	Valve Pvc F/W
3	2412-104	1	R-Clamp
4	2412-129	4	Clamp-Hose
5	92-2588	1	Hose - Air Cleaner, Pcv
6	2412-134	1	Clamp-R



Crankcase Assembly

Ref.	Part Number	Qty.	Description	Ref.	Part Number	Qty.	Description
1	74-8050	1	Oil Decanter	24	74-7850	2	Gasket
2	74-7690	1	Filler Cap	25	74-7330	23	Screw-HH
3	74-7700	1	Oil Dipstick	27	74-7930	10	Capscrew-Bearing
4	74-7710	1	Breather Hose	28	74-7940	1	Spring Bushing
8	2412-129	4	Clamp-Hose	30	74-7960	1	Filter Stud
11	74-7770	1	Hose - Crank Case	31	74-7970	1	Oil Filter
12	74-7780	1	Gasket	32	74-7980	1	Pressure Switch
13	74-7790	1	Screw	33	74-7990	4	Pin
14	74-7800	2	Spring Pin	34	74-8000	2	Plug
15	74-7810	1	Gasket-Plate	35	74-8010	1	Tube
16	74-7820	1	Plate	36	74-8020	1	Shortblock Assembly (Incl. Pistons)
17	74-7830	2	Screw - Washer HD	37	74-8030	1	Spring Pin
18	74-7840	8	Plug	38	74-8040	1	Plug
19	74-7320	2	Gasket-Oil Drain Plug		74-7860	1	Gasket Set ●
20	74-7310	2	Plug		92-7786	1	Cylinder Block/Head ASM ●
21	74-7380	1	Oil Sump Gasket	39	100-1389	1	Plug-Drain
22	74-7880	2	Groove Pin				
23	74-7300	1	Oil Sump Assy				

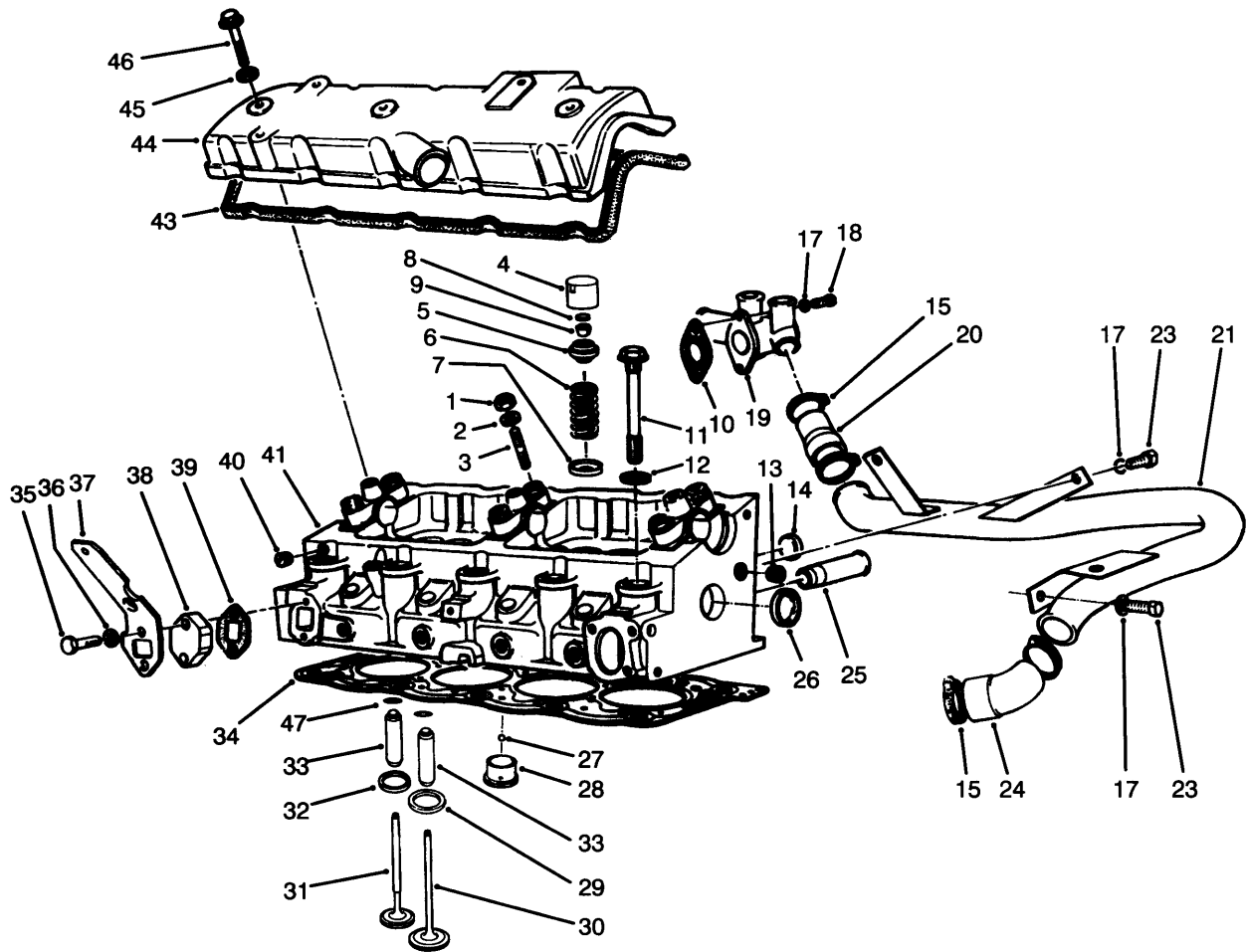
● Not illustrated



Crankshaft Assembly

Ref.	Part Number	Qty.	Description	Ref.	Part Number	Qty.	Description
1	74-8070	1	Screw Hex HD	20	74-8290	2	Cap-Bearing
2	74-8080	1	Washer	21	74-8300	8	Piston Pin Clip
3	74-8090	1	Pulley	22	74-8310	4	Piston Pin
4	74-8100	1	Pinion Gear	23	74-8320	4	Piston Ring Set
5	74-8110	1	Oil Pump Sprocket		74-8330	4	Piston Ring Set ●
6	74-8120	2	Key - Woodruff		74-8340	4	Piston Ring Set ●
7	74-8130	4	Screw - Hex HD	24	74-8350	4	Bushing-Sleeve
8	74-7560	6	Lockwasher	25	74-8360	4	Connecting Rod
9	74-8140	1	Cover	26	74-8370	8	Hex Nut
10	74-8150	1	Cover Gasket	27	74-8380	4	Bearing-Connecting Rod
11	74-8160	1	Seal-Shaft		74-8390	4	Brg - Connecting Rod ●
12	74-8170	5	Bearing Set (STD)	28	74-8400	4	Bolt - Connecting Rod
	74-8180	5	Bearing Set (.30Mm Os) ●	29	74-8420	1	Piston Set-Stage #1 (83.13Mm Od)(Incl. Ref. #21-23)
13	74-8190	2	Thrust Bearing Set (Std.)		74-8430	1	Piston Set-Stage #2 (83.43Mm Od)(Incl. Ref. #21-23) ●
	74-8200	2	Thrust Bearing Set ●		74-8440	1	Piston Set-Stage #3 (83.73Mm Od)(Incl. Ref. #21-23) ●
	74-8210	2	Thrust Bearing Set ●				
	74-8220	2	Thrust Bearing Set ●	33	74-8570	2	Screw - Cap Hex HD
14	74-8230	1	Crank Shaft				
15	74-8240	1	Seal				
16	74-8250	1	Pin				
17	74-8260	1	Flywheel				
18	74-8270	3	Pin				
19	74-8280	8	Screw Hex HD				

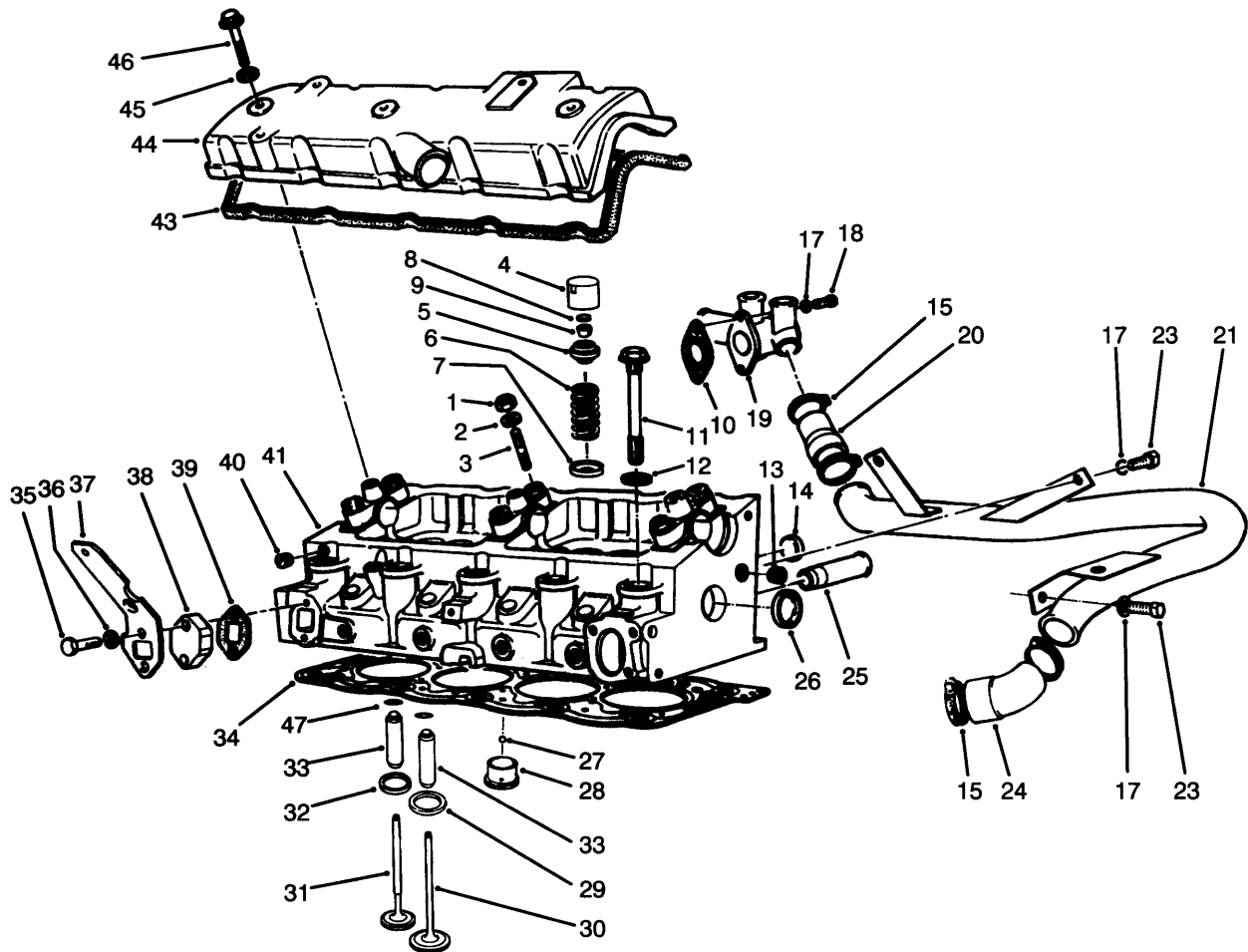
● Not Illustrated.



Cylinder Head Assembly

Ref.	Part Number	Qty.	Description	Ref.	Part Number	Qty.	Description
1	46-0330	6	Nut-Lock	8	74-6770	8	Insert -Valve (2.525Mm) ●
2	74-6520	6	Flat Washer		74-6780	8	Insert -Valve (2.550Mm) ●
3	74-6530	6	Stud		74-6790	8	Insert -Valve (2.575Mm) ●
4	74-6540	8	Tappet - Valve		74-6800	8	Insert -Valve (2.600Mm) ●
5	74-6550	8	Cup		74-6810	8	Insert -Valve (2.625Mm) ●
6	74-6560	8	Valve Spring		74-6820	8	Insert -Valve (2.650Mm) ●
7	74-6570	8	Cup-Lower Valve Spring		74-6830	8	Insert -Valve (2.675Mm) ●
8	74-6580	8	Insert - Valve (1.65Mm)		74-6840	8	Insert -Valve (2.700Mm) ●
	74-6600	8	Insert -Valve (1.800Mm) ●		74-6850	8	Insert -Valve (2.725Mm) ●
	74-6610	8	Insert -Valve (1.900Mm) ●		74-6860	8	Insert -Valve (2.750Mm) ●
	74-6620	8	Insert -Valve (1.975Mm) ●		74-6870	8	Insert -Valve (2.775Mm) ●
	74-6630	8	Insert -Valve (2.050Mm) ●		74-6880	8	Insert -Valve (2.800Mm) ●
	74-6640	8	Insert -Valve (2.125Mm) ●		74-6890	8	Insert -Valve (2.825Mm) ●
	74-6650	8	Insert -Valve (2.225Mm) ●		74-6900	8	Insert -Valve (2.850Mm) ●
	74-6660	8	Insert -Valve (2.250Mm) ●		74-6910	8	Insert -Valve (2.875Mm) ●
	74-6670	8	Insert -Valve (2.275Mm) ●		74-6920	8	Insert -Valve (2.900Mm) ●
	74-6680	8	Insert -Valve (2.300Mm) ●		74-6930	8	Insert -Valve (2.925Mm) ●
	74-6690	8	Insert -Valve (2.325Mm) ●		74-6940	8	Insert -Valve (2.950Mm) ●
	74-6700	8	Insert -Valve (2.350Mm) ●		74-6950	8	Insert -Valve (2.975Mm) ●
	74-6710	8	Insert -Valve (2.375Mm) ●		74-6960	8	Insert -Valve (3.000Mm) ●
	74-6720	8	Insert -Valve (2.400Mm) ●		74-6970	8	Insert -Valve (3.025Mm) ●
	74-6730	8	Insert -Valve (2.425Mm) ●		74-6980	8	Insert -Valve (3.050Mm) ●
	74-6740	8	Insert -Valve (2.450Mm) ●		74-6990	8	Insert -Valve (3.075Mm) ●
	74-6750	8	Insert -Valve (2.475Mm) ●		74-7000	8	Insert -Valve (3.100Mm) ●
	74-6760	8	Insert -Valve (2.500Mm) ●		74-7010	8	Insert -Valve (3.125Mm) ●

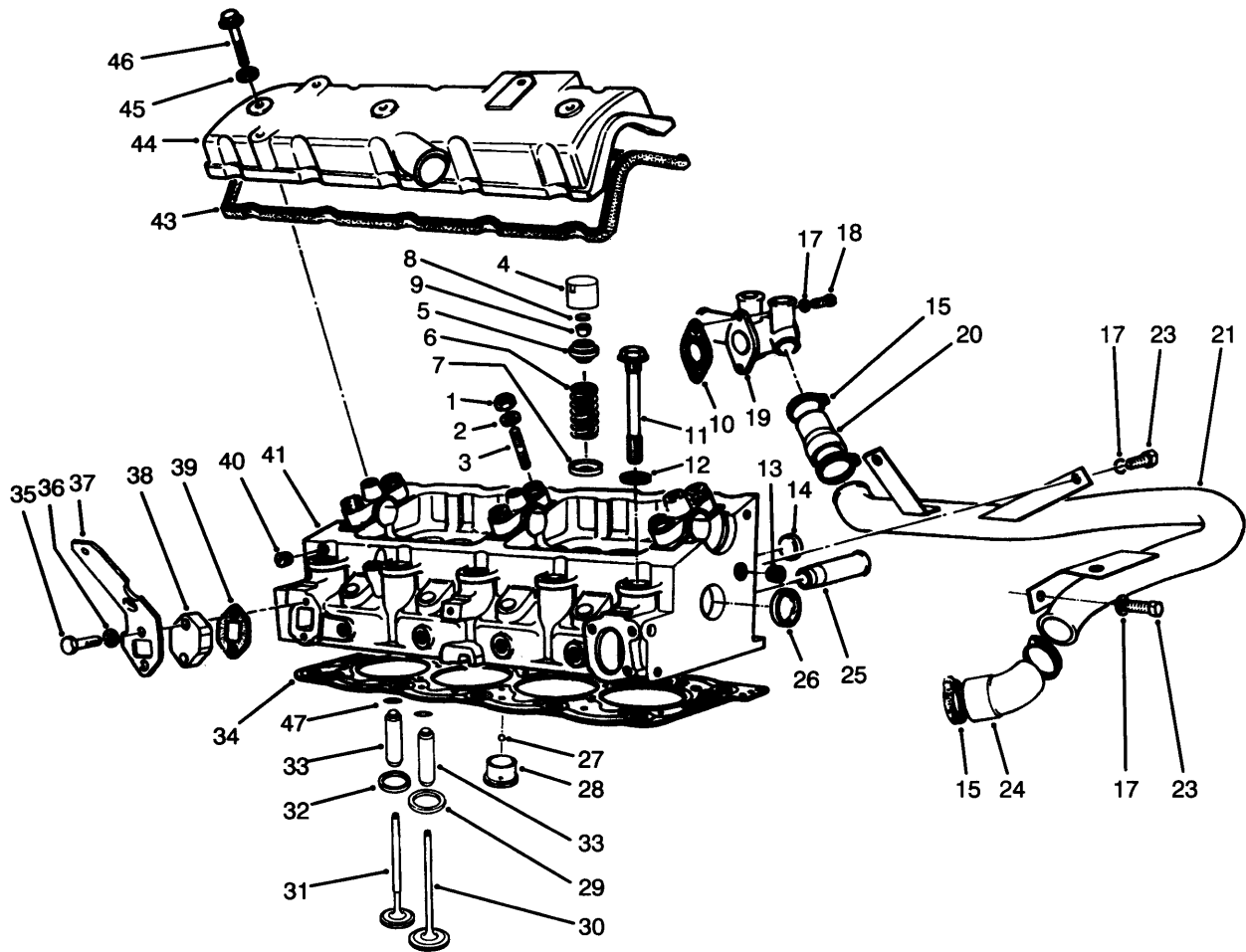
● Not Illustrated.



Cylinder Head Assembly (continued)

Ref.	Part Number	Qty.	Description	Ref.	Part Number	Qty.	Description
	74-7020	8	Insert -Valve (3.150Mm) ●	12	74-7270	10	Washer-Flat
	74-7030	8	Insert -Valve (3.175Mm) ●	13	74-7280	2	Plug
8	74-7040	8	Insert -Valve (3.200Mm) ●	14	74-7840	2	Plug
	74-7050	8	Insert -Valve (3.225Mm) ●	15	2412-119	4	Clamp-Worm
	74-7060	8	Insert -Valve (3.250Mm) ●	17	68-9420	5	Washer-Lock
	74-7070	8	Insert -Valve (3.275Mm) ●	18	48-9460	2	Screw-HH
	74-7080	8	Insert -Valve (3.300Mm) ●	19	74-7340	1	Coolant Fitting
	74-7090	8	Insert -Valve (3.325Mm) ●	20	74-7350	1	Hose
	74-7100	8	Insert -Valve (3.350Mm) ●	21	74-7360	1	Collector Tube
	74-7110	8	Insert -Valve (3.375Mm) ●	23	48-7700	3	Screw-HH
	74-7120	8	Insert -Valve (3.400Mm) ●	24	74-7390	1	Elbow Hose
	74-7130	8	Insert -Valve (3.425Mm) ●	25	74-7400	1	Tube
	74-7140	8	Insert -Valve (3.450Mm) ●	26	74-7410	2	Plug
	74-7150	8	Insert -Valve (3.475Mm) ●	27	74-7420	4	Ball
	74-7160	8	Insert -Valve (3.500Mm) ●	28	74-7430	4	Chamber-Turbulence
	74-7170	8	Insert -Valve (3.550Mm) ●		74-7440	4	Chamber - Turbulence ●
	74-7180	8	Insert -Valve (3.625Mm) ●	29	74-7450	4	Exhaust Valve Seat
	74-7190	8	Insert -Valve (3.700Mm) ●		74-7460	4	Seat-Intake Valve(39.5) ●
	74-7200	8	Insert -Valve (3.775Mm) ●	30	74-7480	4	Intake Valve
	74-7210	8	Insert -Valve (3.850Mm) ●	31	92-7794	4	Valve - Exhaust
8	74-7220	8	Insert -Valve (3.925Mm)	32	92-7795	4	Valve Seat
	74-7230	8	Insert -Valve (4.000Mm) ●	33	92-7792	8	Valve Guide (14.29 Mm)
9	74-7240	16	Split Collar		92-7793	8	Valve Guide (14.59 Mm) ●
10	74-7250	1	Fitting Gasket	34	74-7530	1	Gasket-Head (1.61Mm)
11	74-7260	10	Head Bolt		74-7540	1	Gasket-Head (1.73Mm) ●
				35	74-7550	2	Screw - Cap Hex HD

● Not Illustrated.

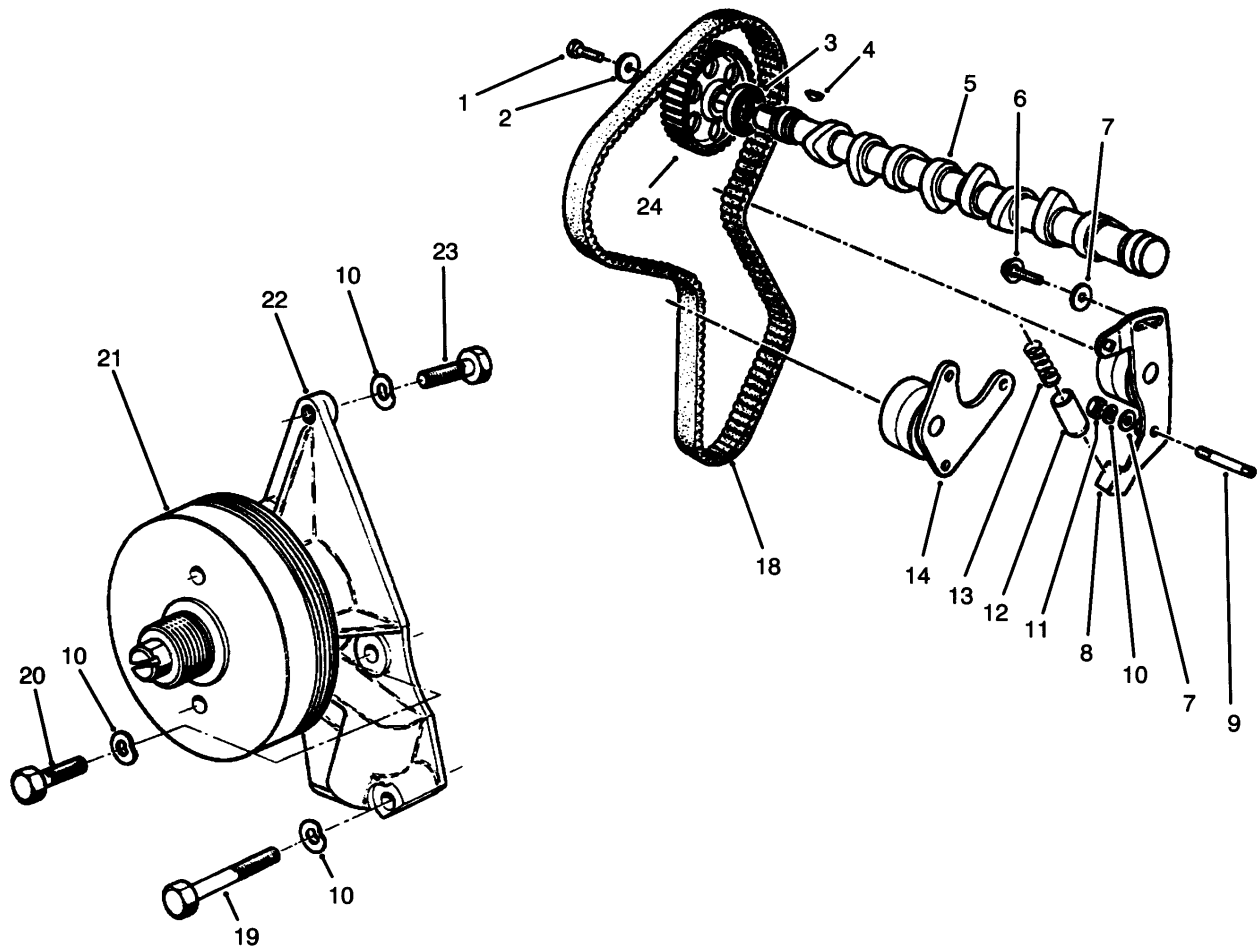


Cylinder Head Assembly (continued)

Ref.	Part Number	Qty.	Description
36	74-7560	2	Lockwasher
37	77-3890	1	Bracket - Hood Stop *b
38	74-7580	1	Plate
39	74-7590	1	Gasket
40	74-7600	4	Plug
41	92-7796	1	Cylinder Head Assembly (Incl. Ref. #32 & 33)

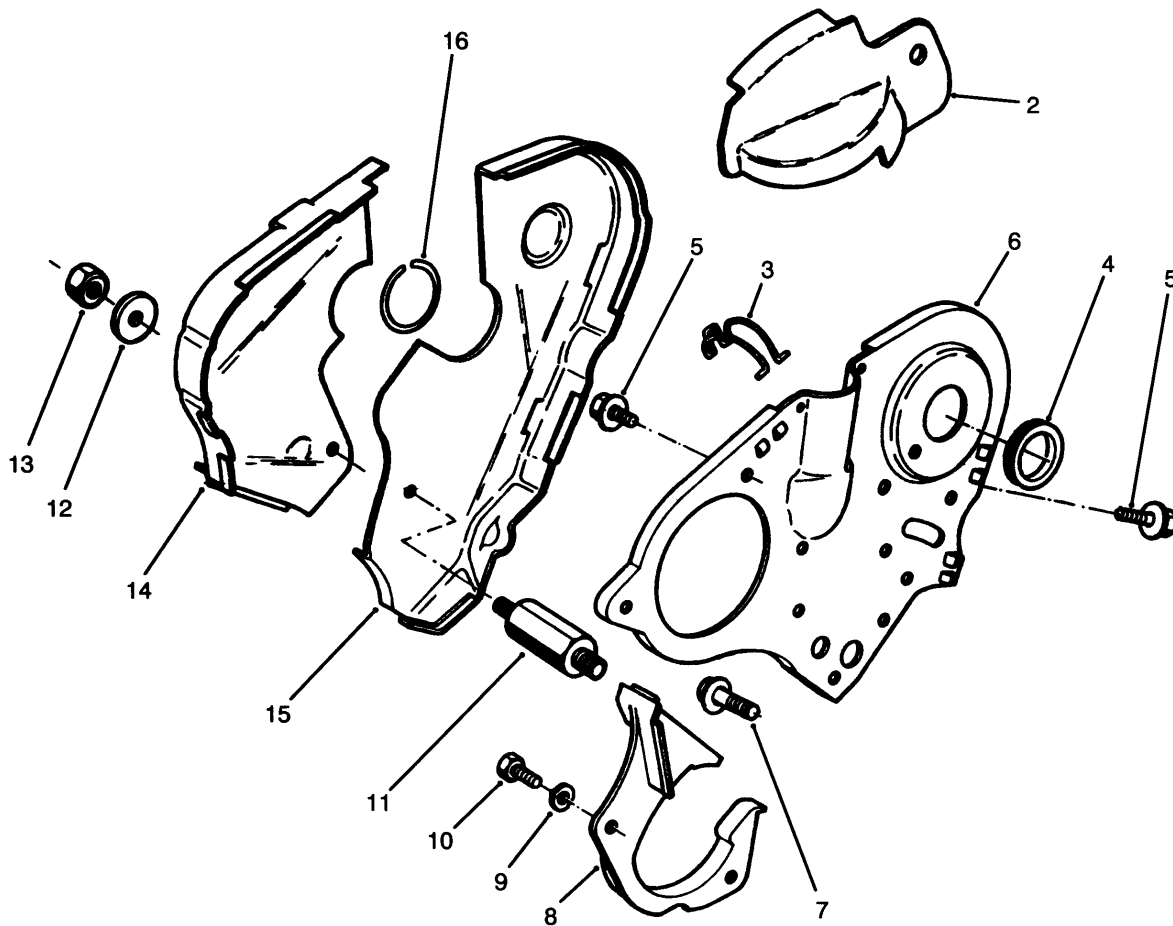
Ref.	Part Number	Qty.	Description
43	74-7630	1	Gasket - Valve Cover
44	74-7640	1	Valve Cover
45	74-7650	3	Washer - Flat
46	48-7640	3	Screw
47	92-7791	8	Valve - Stem Seal
	74-7670	1	Head Bolt & Washer Set (Incl. Ref. #11 & 12)●

● Not Illustrated.



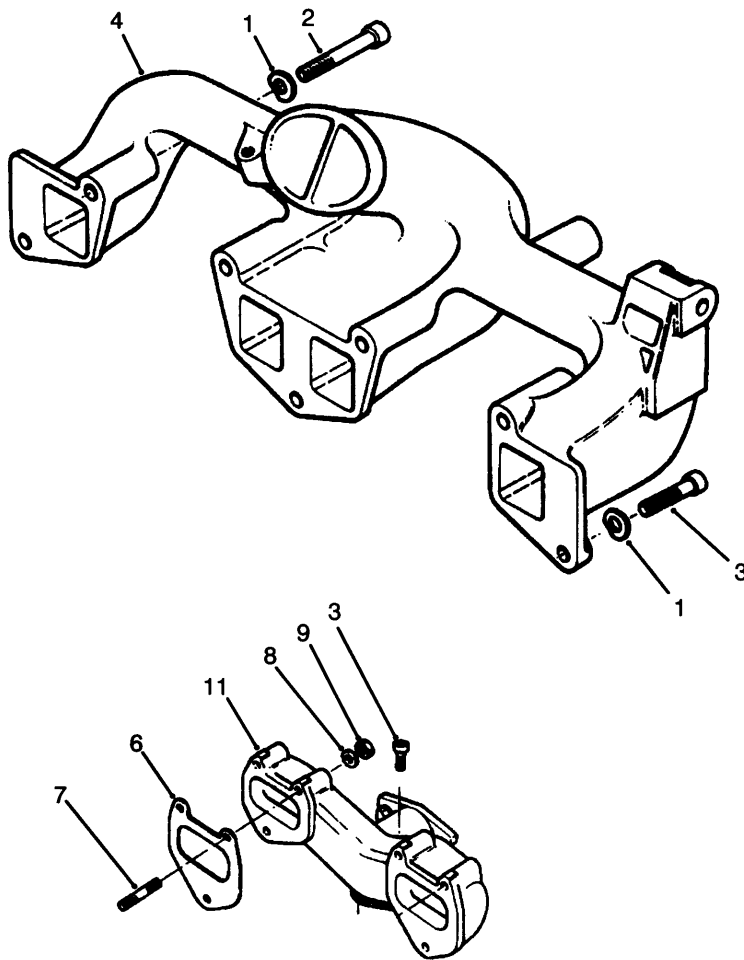
Camshaft and Fan Support Assembly

Ref.	Part Number	Qty.	Description
1	77-3440	2	Screw
2	77-3450	2	Washer
3	77-3420	2	Gasket
4	77-3410	1	Key
5	77-3400	1	Cam Shaft
6	77-3460	1	Screw
7	74-8900	2	Washer - Flat
8	77-3540	1	Roller ASM
9	74-6530	1	Stud
10	68-9420	6	Washer-Lock
11	46-0330	1	Nut-Lock
12	77-3520	1	Cup
13	77-3510	1	Spring
14	77-3500	1	Roller ASM
18	74-8830	1	Belt - Timing
19	60-6700	1	Bolt Hex HD
20	77-3360	3	Screw
21	77-3380	1	Pulley
22	92-7798	1	Support - Fan
23	77-3370	1	Screw
24	92-7787	1	Pulley-Camshaft



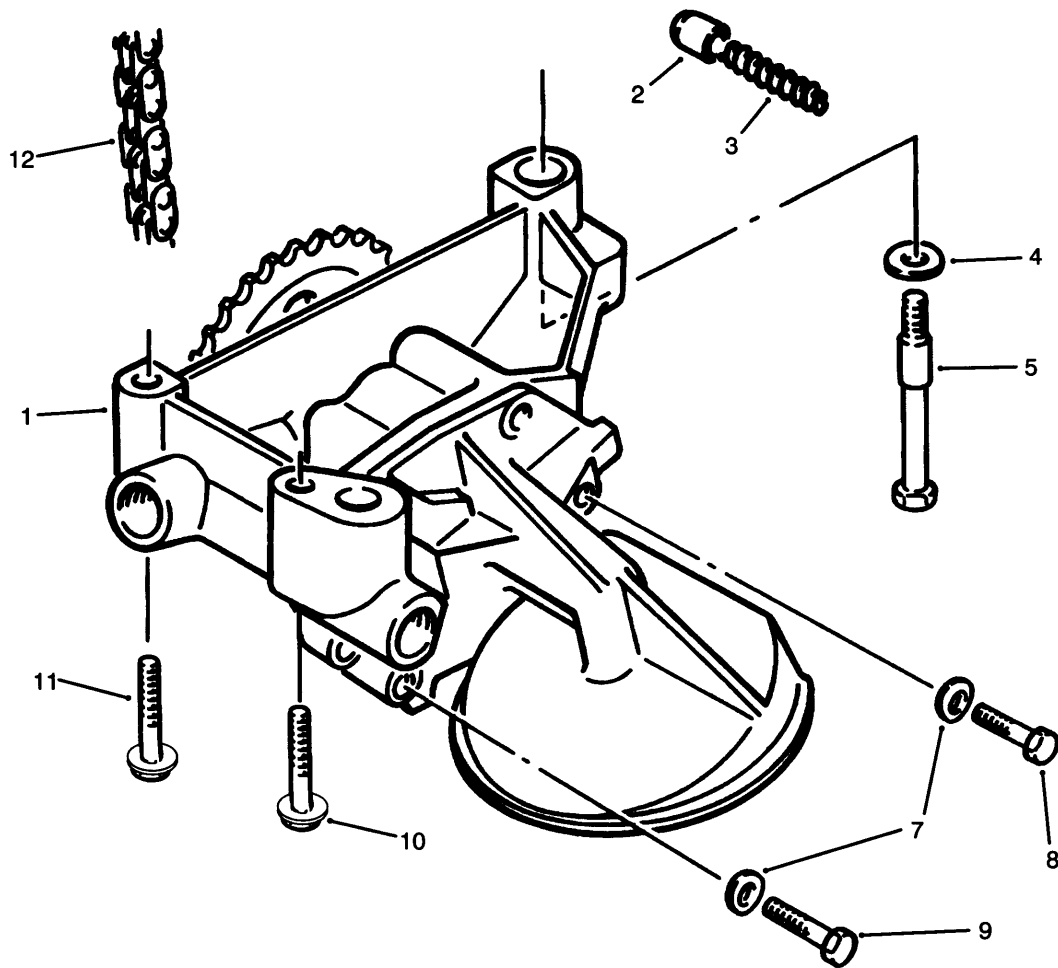
Belt Cover Assembly

<i>Ref.</i>	<i>Part Number</i>	<i>Qty.</i>	<i>Description</i>
2	77-3590	1	Shield
3	77-3830	4	Clip
4	77-3840	1	Grommet
5	48-7700	2	Screw-HH
6	92-7799	1	Shield
7	48-9460	2	Screw-HH
8	77-3810	1	Shield
9	74-7560	2	Lockwasher
10	74-7910	2	Screw - Hex HD
11	77-3820	1	Support - Shield
12	77-3870	1	Washer
13	77-3860	1	Locknut
14	77-3580	1	Shield
15	77-3570	1	Shield
16	77-3850	1	Ring-Snap



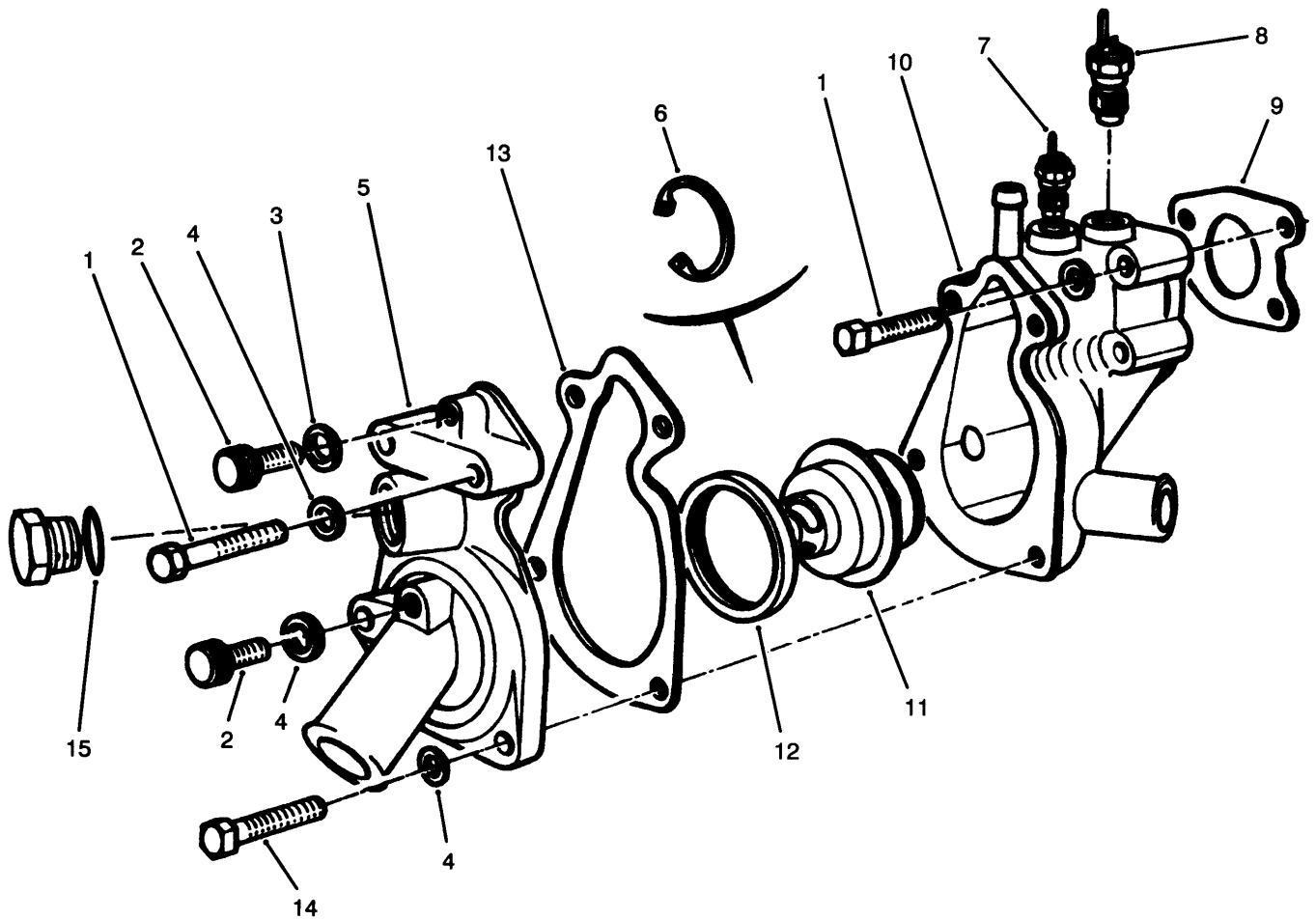
Intake and Exhaust Manifold Assembly

<i>Ref.</i>	<i>Part Number</i>	<i>Qty.</i>	<i>Description</i>
1	68-9420	7	Washer-Lock
2	77-3280	5	Screw
3	77-3290	4	Screw
4	77-3270	1	Manifold - Intake
6	77-3310	2	Gasket
7	77-3300	6	Stud
8	68-9420	6	Washer-Lock
9	77-3320	6	Nut - Hex
11	77-3340	1	Manifold - Exhaust



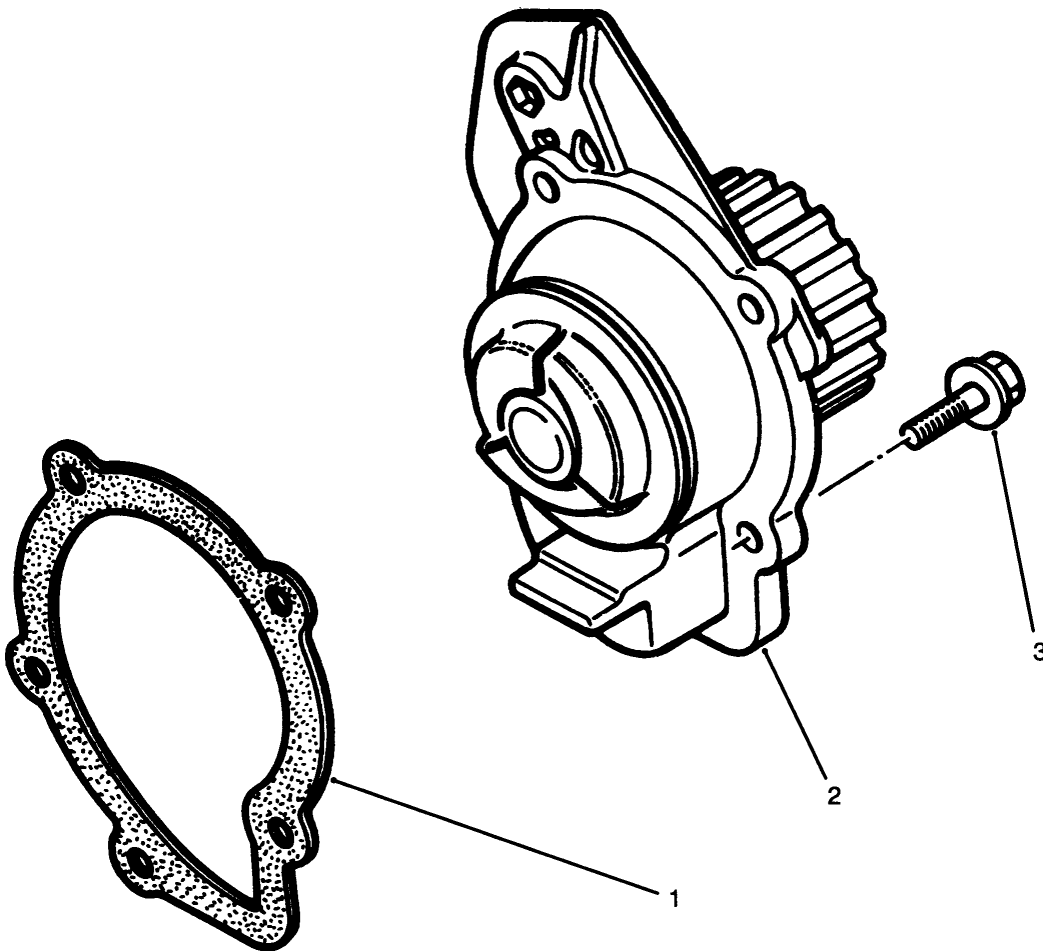
Oil Pump Assembly

Ref.	Part Number	Qty.	Description
1	76-5070	1	Oil Pump ASM
2	76-5080	1	Piston
3	76-5090	1	Piston Spring
4	68-9420	1	Washer-Lock
5	76-5100	1	Bolt-Shoulder
7	74-7560	5	Lockwasher
8	74-7910	2	Screw - Hex HD
9	48-7640	3	Screw
10	77-3470	1	Screw
11	77-3490	1	Screw
12	76-5170	1	Chain-Drive, Pump



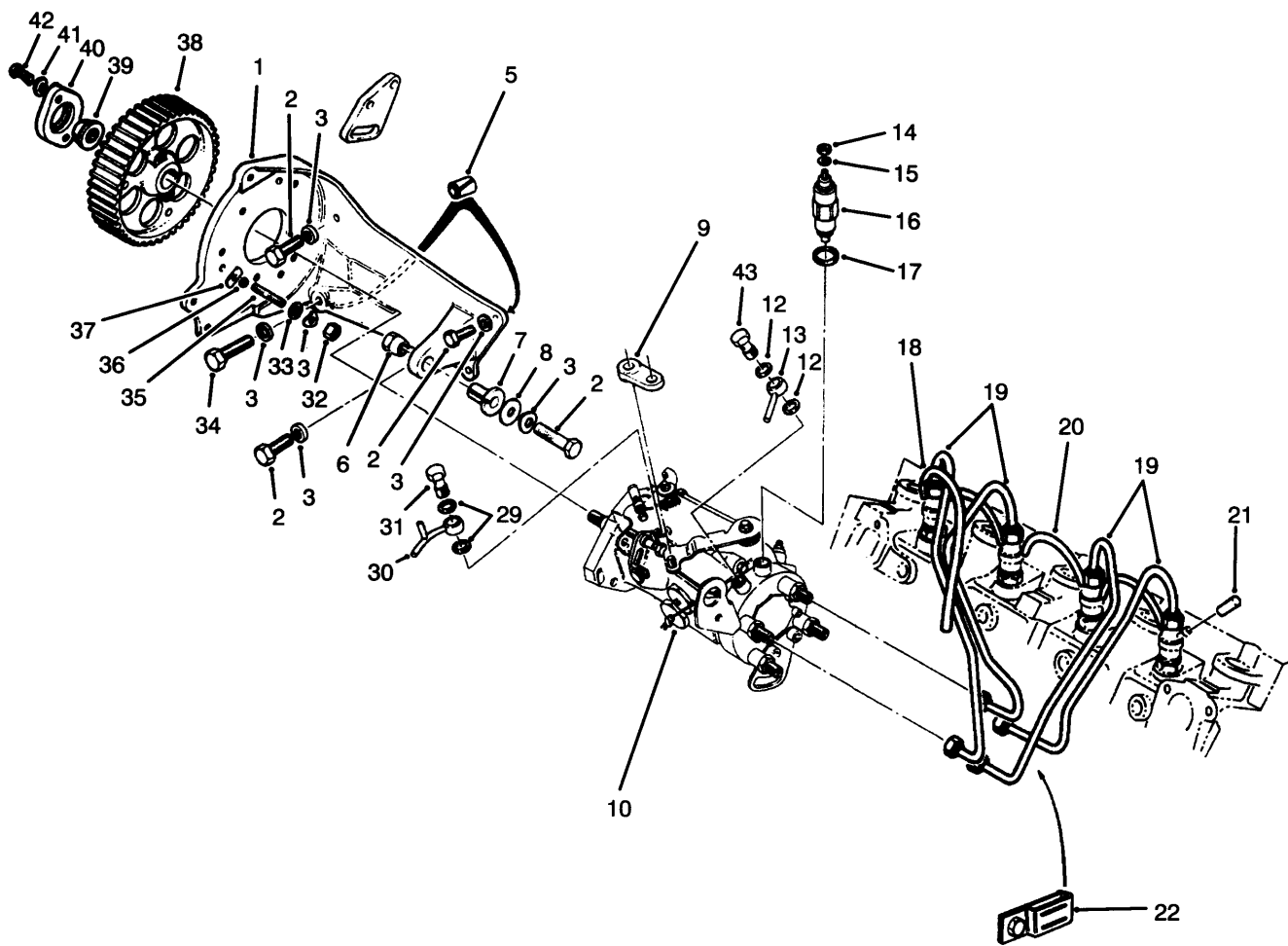
Collector Assembly

<i>Ref.</i>	<i>Part Number</i>	<i>Qty.</i>	<i>Description</i>
1	76-5330	2	Capscrew - Hex HD
2	76-5340	2	Drain Plug
3	76-5350	2	Drain Plug Gasket
4	74-7560	4	Lockwasher
5	76-5360	1	Collector Cover
6	76-5370	1	Retaining Ring
7	76-5380	1	Temp Sending Unit
8	76-5400	1	Switch - Temp 105 DEG C
9	76-5410	1	Collector Gasket
10	76-5420	1	Collector Housing
11	74-8860	1	Thermostat
12	76-5450	1	Gasket - Thermostat
13	76-5460	1	Collector Hsg Gasket
14	76-5440	2	Screw
15	74-8810	1	Gasket



Water Pump Assembly

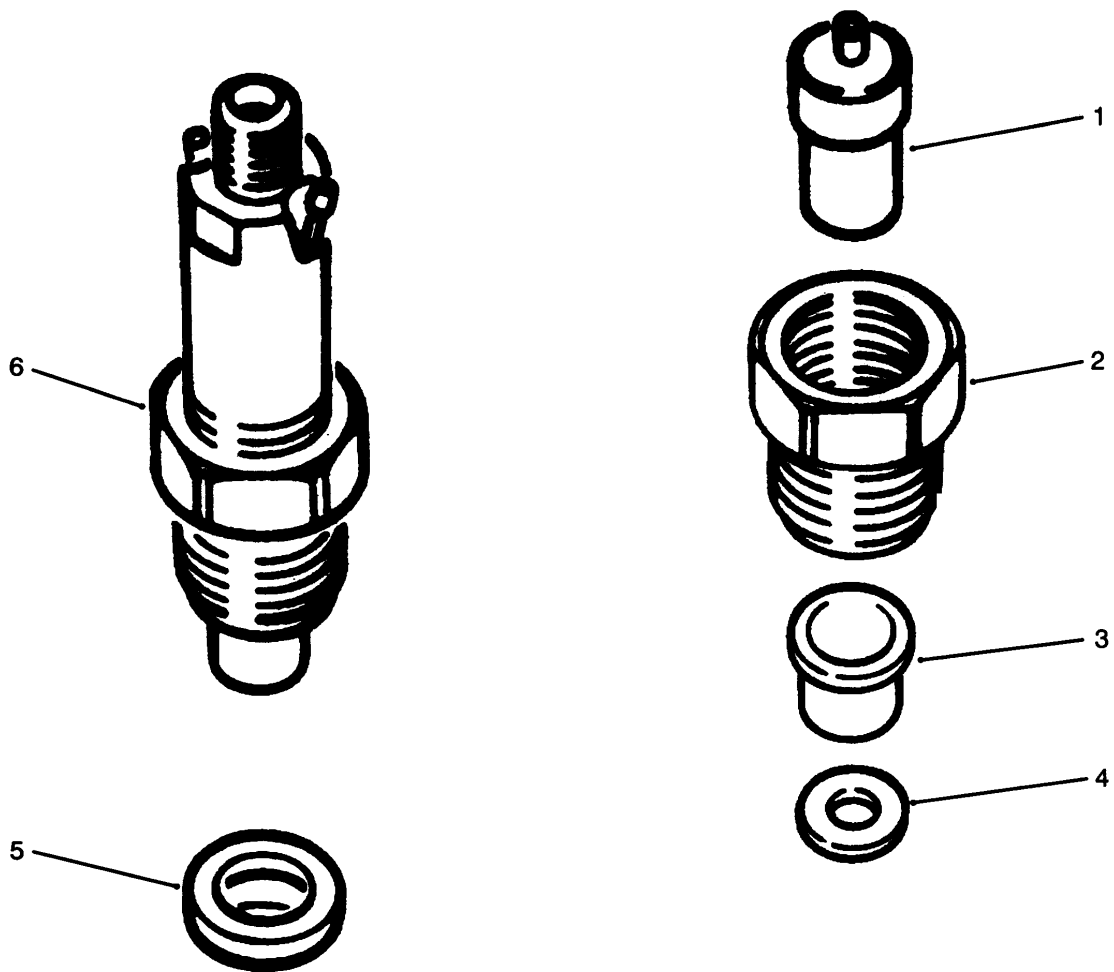
<i>Ref.</i>	<i>Part Number</i>	<i>Qty.</i>	<i>Description</i>
1	76-5480	1	Gasket-Water Pump
2	74-8840	1	Water Pump Assembly (Incl. Ref. #1)
3	876-5500	5	Screw-Cap Hex. Hd.



Fuel Injection Pump Assembly

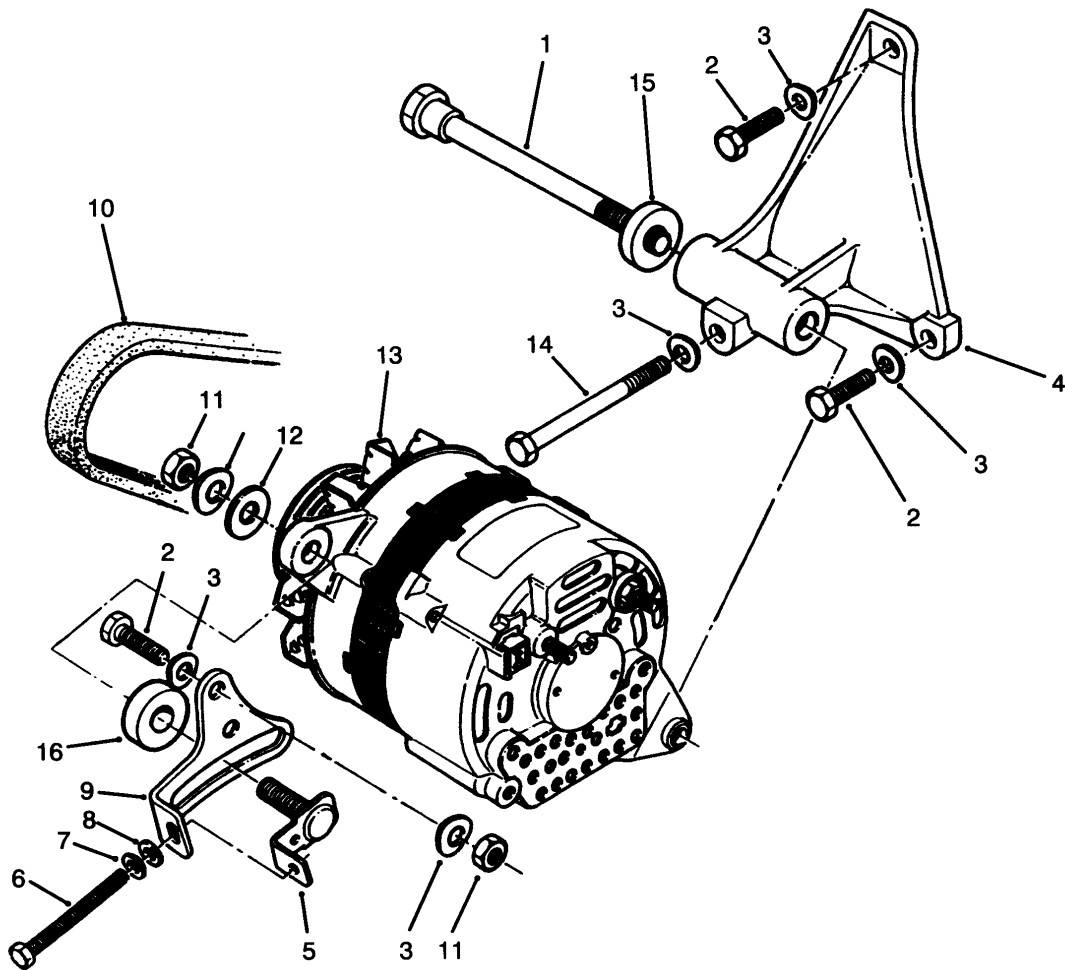
Ref.	Part Number	Qty.	Description	Ref.	Part Number	Qty.	Description
1	74-8700	1	Pump - Supt Bracket	29	74-8870	2	Gasket
2	60-6760	4	Bolt Hex HD	30		1	Banjo-Fuel Outlet
3	68-9420	8	Washer-Lock	31	74-8880	1	Fuel Outlet Assembly (Incl. Ref. #30)
5	74-8610	1	Spring Pin	32	46-0330	3	Nut-Lock
6	74-8620	1	Nut - Conical	33	74-8900	1	Washer - Flat
7	74-8630	1	Flange Bushing	34	60-6700	1	Bolt Hex HD
8	74-8640	1	Flat Washer	35	76-4910	3	Stud
9	74-8650	1	Pacer	36	68-9420	3	Washer-Lock
10	74-8800	1	Injection Pump Assembly	37	76-4930	3	Washer
12	74-8680	2	Gasket	38	76-4940	1	Pump Pulley
13		1	Banjo-Fuel Inlet	39	76-4950	1	Flange Nut
14	48-7880	1	Nut-Hex	40		1	Flange (Otc Part No. Tor70153H)
15	74-8710	1	Washer	41	74-7560	2	Lockwasher
16	74-8720	1	Valve-Solenoid	42	74-8130	2	Screw - Hex HD
17	74-8730	1	Seal Ring	43	74-8690	1	Fuel Inlet Assembly (Incl. Ref. #13)
18	74-8740	1	Pump Return Tube	92-7790		1	Tool-Sprocket Removal (Incl. Ref. #40-42) ●
19	74-8750	1	Injection Tube Set				
20	74-8760	3	Hose - Rubber				
21	74-8770	1	Plug				
22	74-8780	1	Plastic Clamp				
	74-8790	1	Metal Clamp ●				

● Not Illustrated.



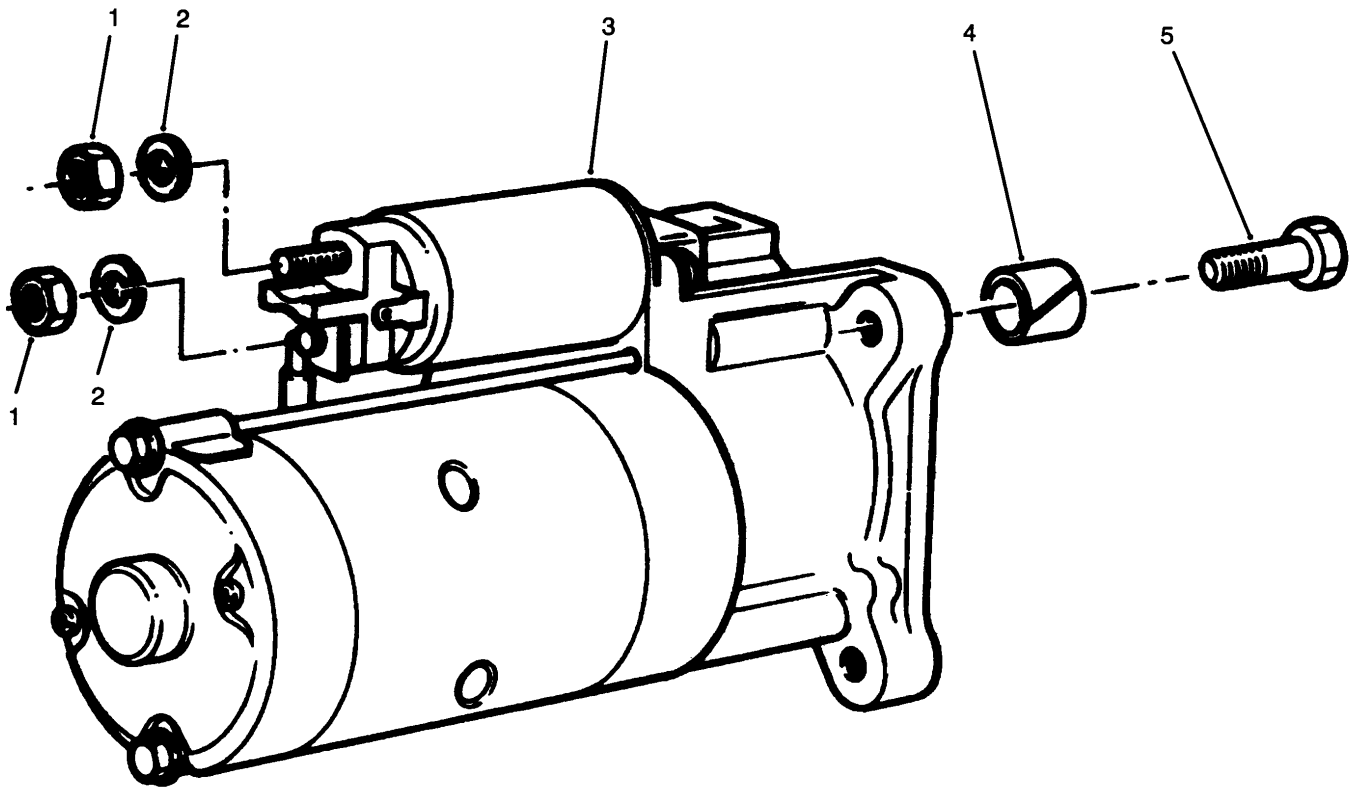
Fuel Injector Assembly

<i>Ref.</i>	<i>Part Number</i>	<i>Qty.</i>	<i>Description</i>
1	76-5510	4	Fuel Injector
2	76-5520	4	Fuel Injector Holder
3	76-5540	4	Injector Bushing
4	76-5530	4	Washer-Flame Trap
5	76-5550	4	Fuel Injector Gasket
6	76-5600	4	Fuel Injector Assembly (Incl. Ref. #1-5)



Alternator Assembly

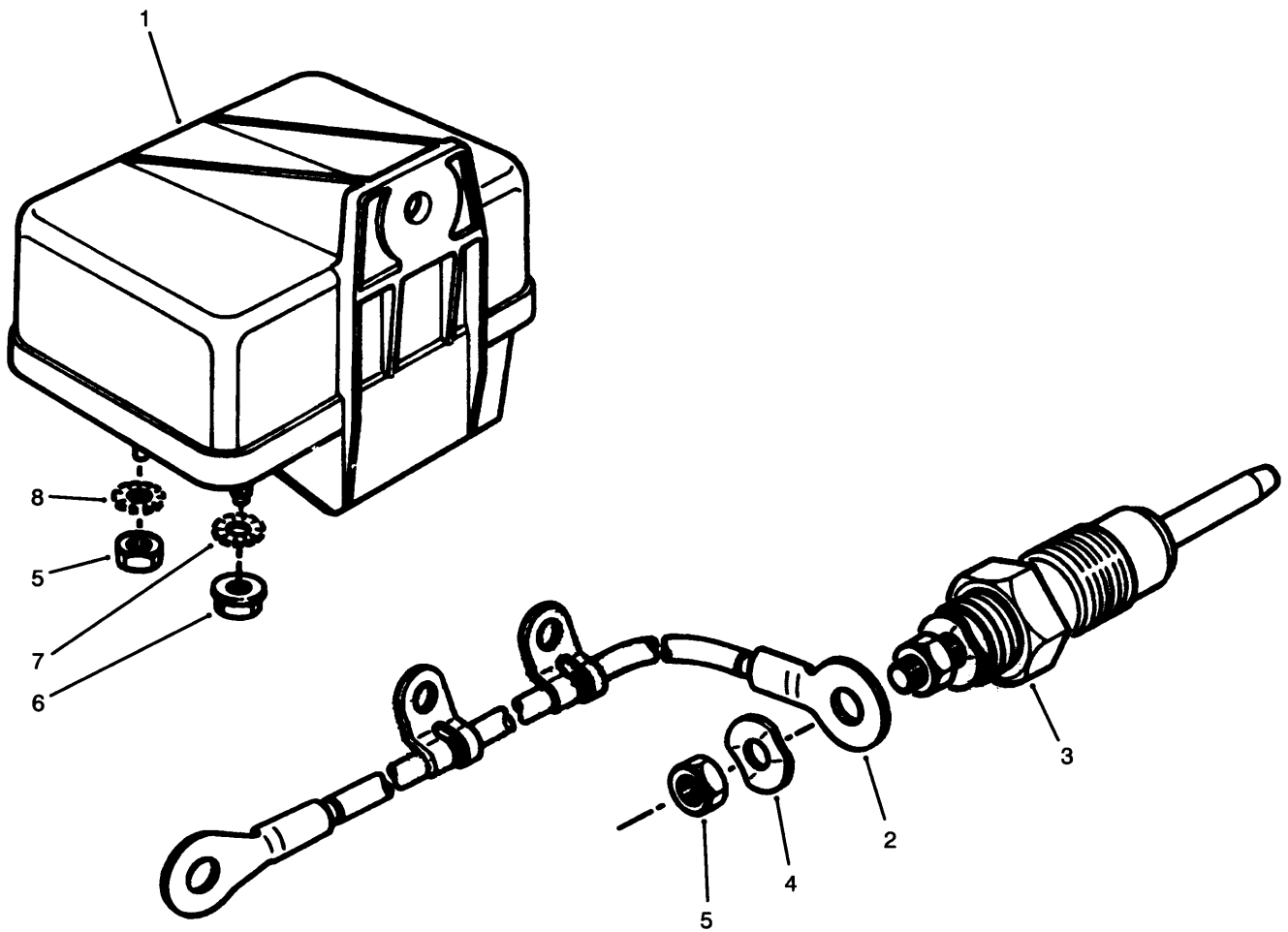
<i>Ref.</i>	<i>Part Number</i>	<i>Qty.</i>	<i>Description</i>
1	76-4970	1	Shoulder Screw
2	48-9460	3	Screw-HH
3	68-9420	6	Washer-Lock
4	76-4980	1	Mounting Bracket
5	76-4990	1	Bolt-Slide
6	76-5000	1	Adj Bolt
7	76-5010	1	Washer-Spring
8	76-5020	1	Flat Washer
9	76-5030	1	Slide Bracket
10	76-5040	1	V-Belt
11	46-0330	2	Nut-Lock
12	74-8640	1	Flat Washer
13	76-5050	1	Alternator
14	76-5060	1	Screw-HH
15	77-3260	1	Washer
16	77-3250	1	Washer



Starter Assembly

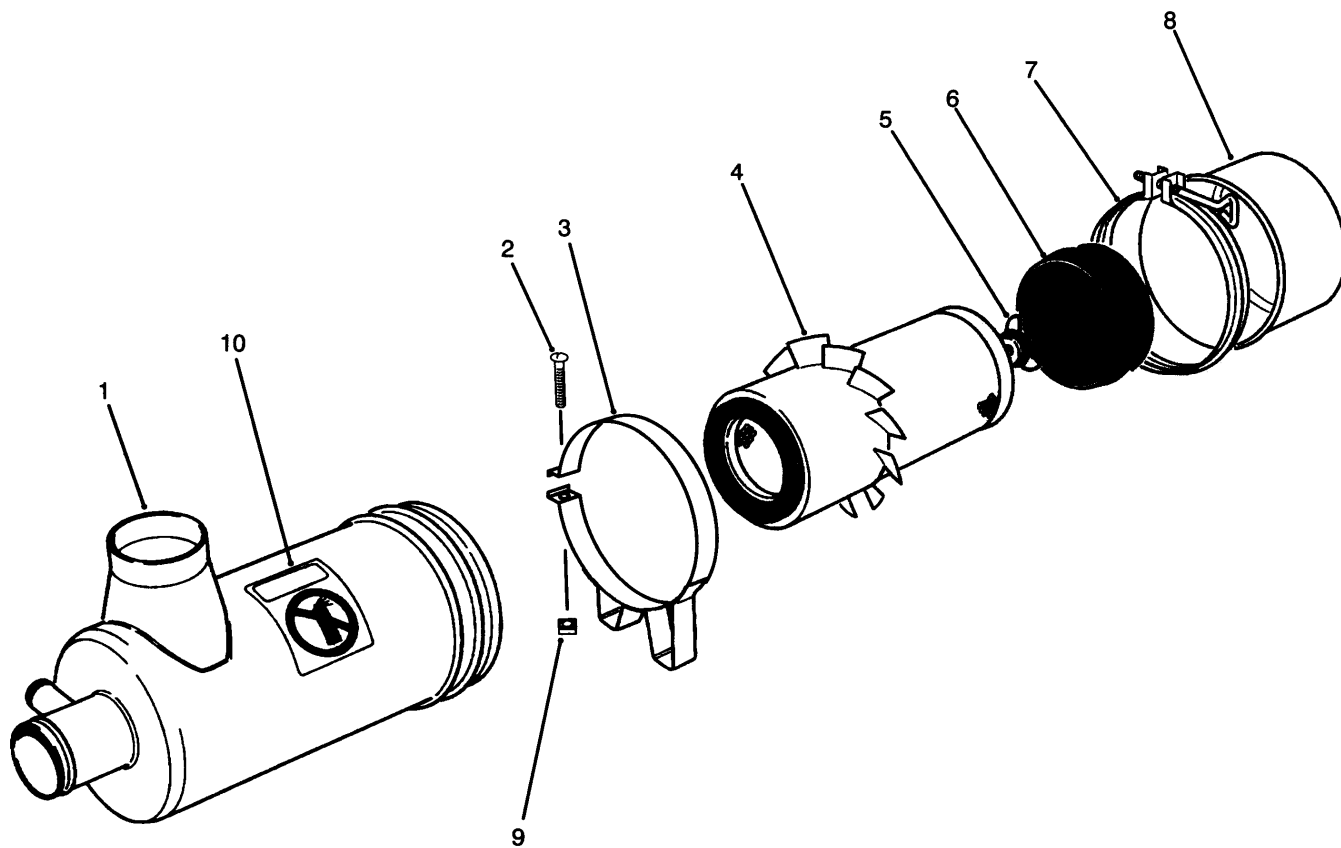
<i>Ref.</i>	<i>Part Number</i>	<i>Qty.</i>	<i>Description</i>
1	46-0330	2	Nut-Lock
2	76-5570	2	Lockwasher
3	76-5580	1	Starter F/W
4	76-5590	1	Sleeve-Spring
5	48-7810	3	Screw
	92-7789	1	Solenoid-Starter ●

● Not Illustrated.



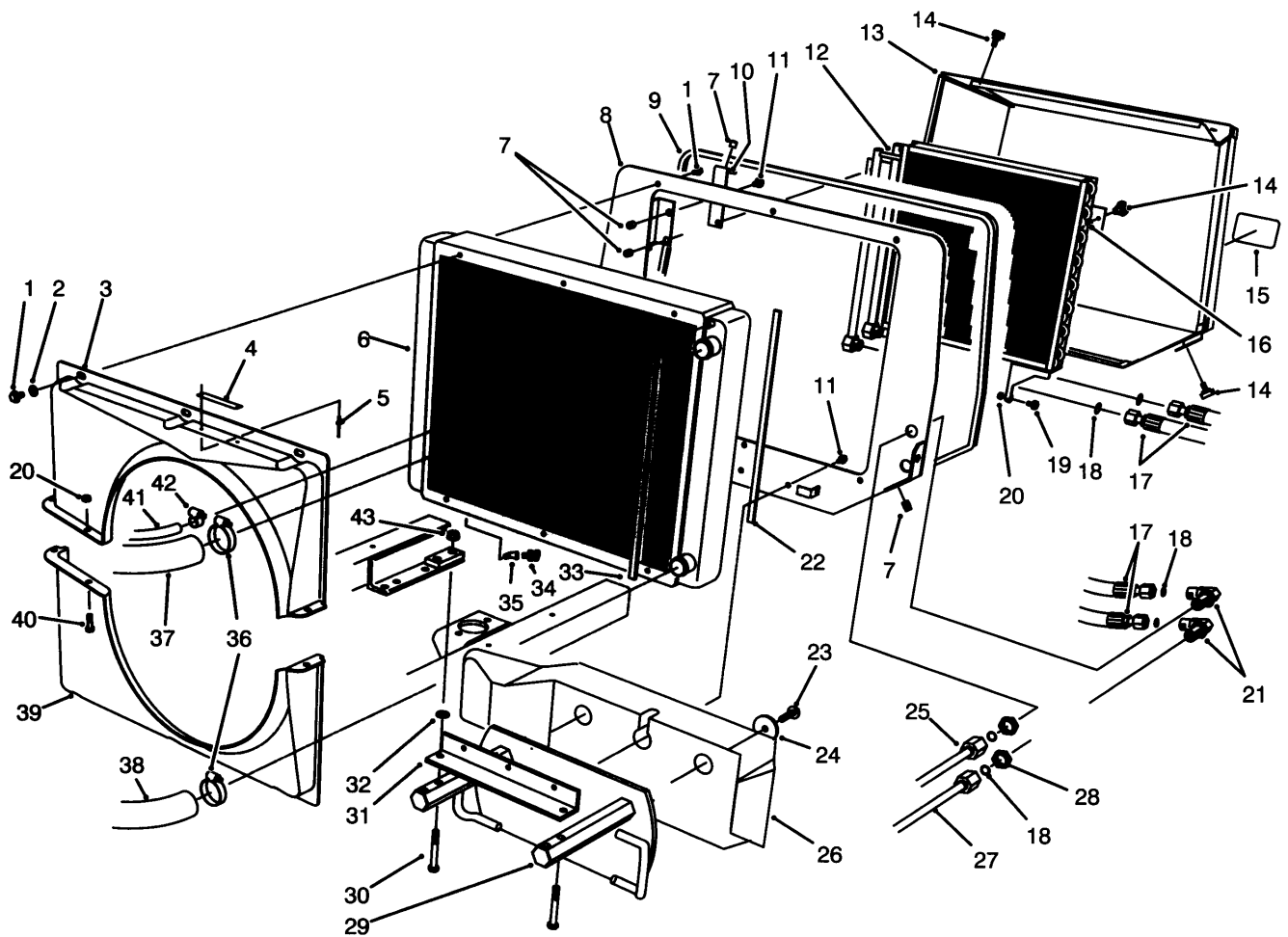
Glow Plug and Glow Relay Assembly

<i>Ref.</i>	<i>Part Number</i>	<i>Qty.</i>	<i>Description</i>
1	76-5260	1	Relay-Plug, Glow
2	76-5270	4	Cable-Glow Plug
3	76-5280	4	Plug-Glow
4	76-5290	4	Spring Washer
5	48-7880	5	Nut-Hex
6	65-7980	1	Nut-Flange
7	76-5310	1	Washer
8	74-8710	1	Washer



Air Cleaner No. 74-6000

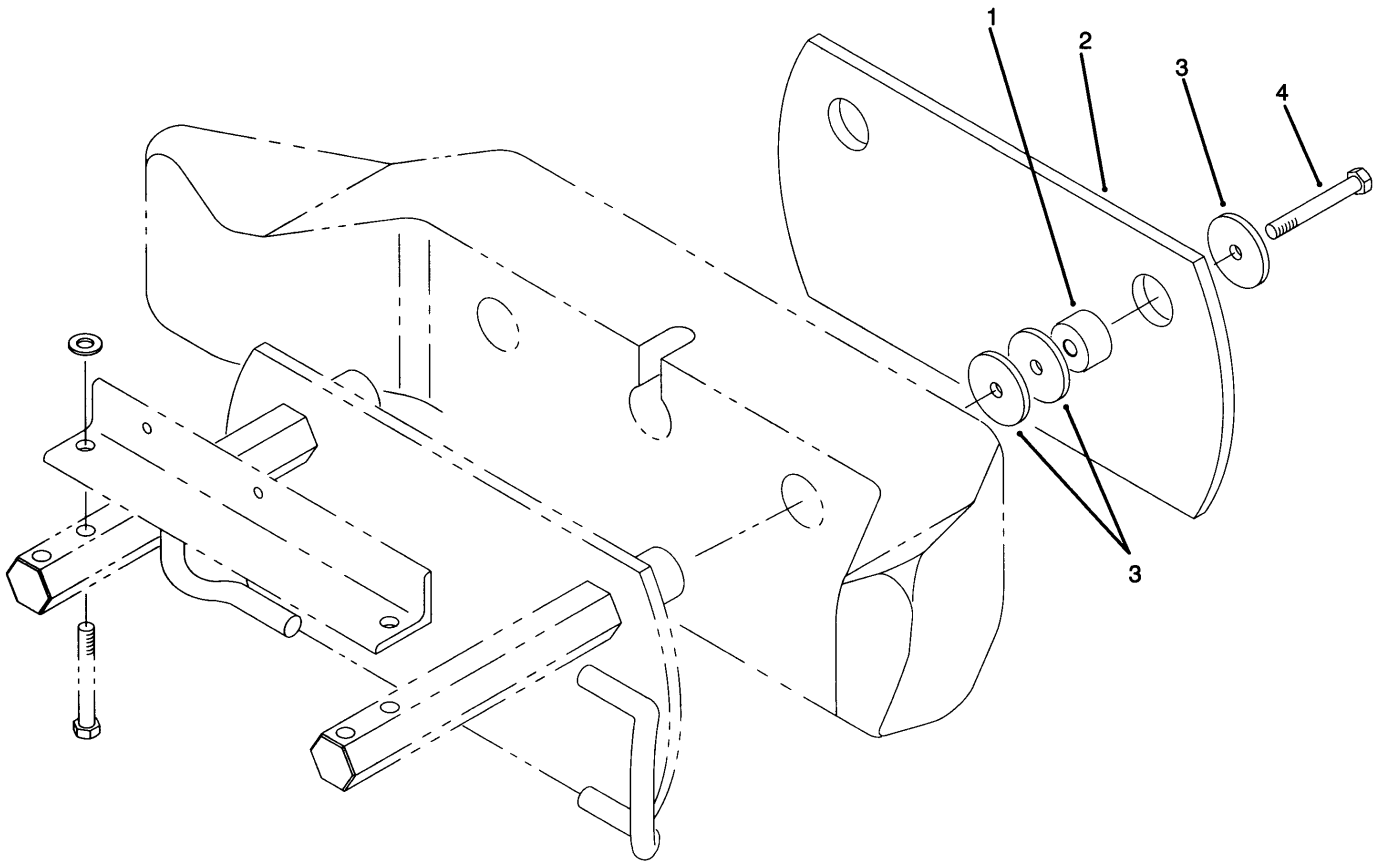
<i>Ref.</i>	<i>Part Number</i>	<i>Qty.</i>	<i>Description</i>
1	74-6000	1	Air Cleaner Assembly (Incl. Ref. #4-8)
2	3258-19	2	Screw
3	27-7170	1	Band Assembly (Incl. Ref. 2 & 9)
4	27-7110	1	Element ASM
5	27-7120	1	Nut And Gasket ASM
6	27-7140	1	Skirt-Baffle
7	27-7130	1	Clamp ASM
8	27-7150	1	A/C Cup ASM
9	32107-11	2	Nut-Square
10	76-8770	1	Decal - Caution, Strt



Radiator Assembly

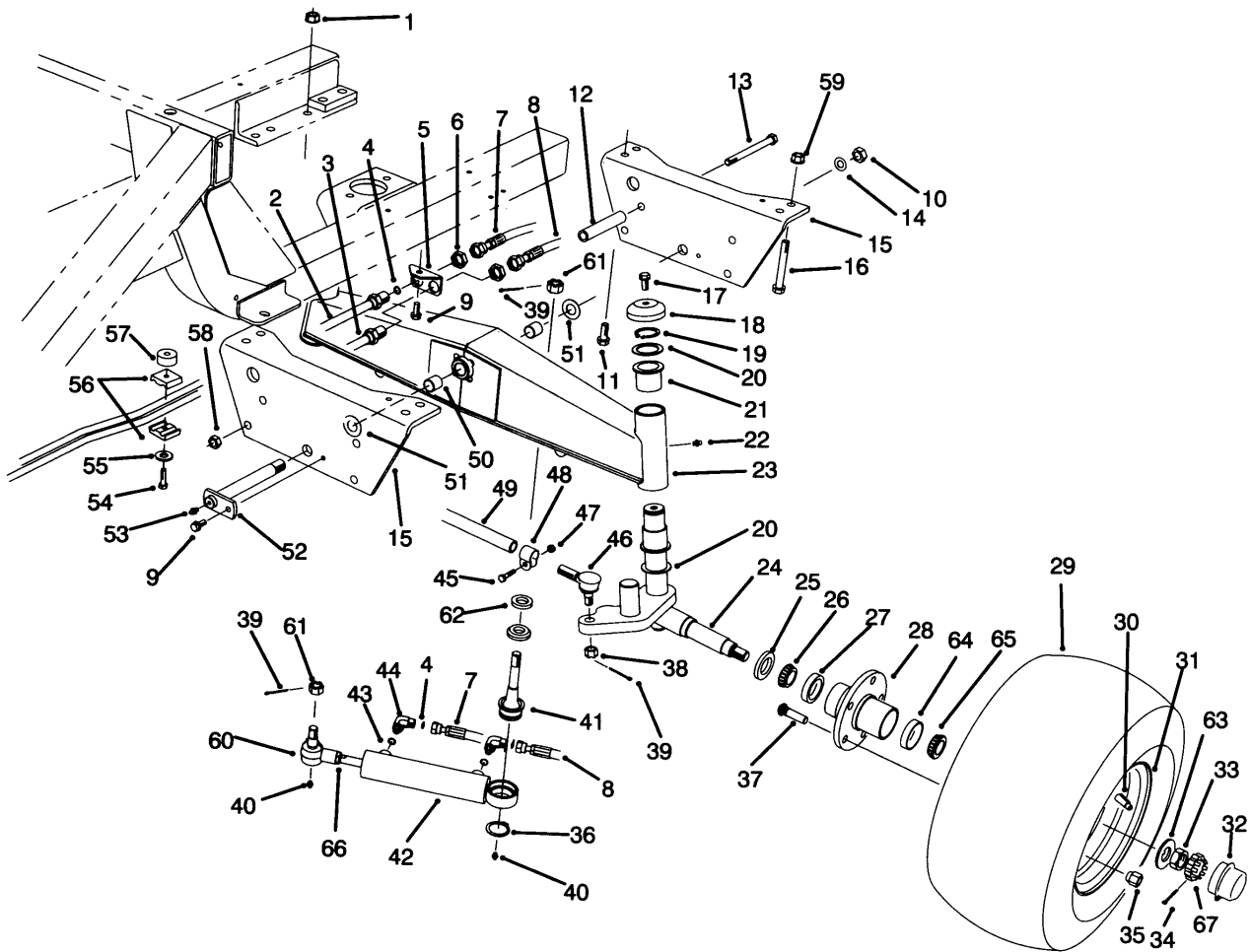
Ref.	Part Number	Qty.	Description	Ref.	Part Number	Qty.	Description
1	3234-30	12	Screw-HHF	22	76-6381	2	Strip-Sealing, Radiator
2	3256-23	6	Washer-Flat	23	325-34	2	Screw-HH
3	74-4980	1	Shroud-Top	24	88-1360	2	Washer-Weight, Rear
4	76-8750	1	Plate-Warning	25	74-6400	1	Filter Line Tube ASM
5	3290-271	2	Rivet-Pop	26	92-9711	1	Weight-Rear
6	74-3410	1	Radiator ASM	27	86-5800	1	Tube Assy-Oil Cooler
7	32148-10	10	Insert-Nut	28	340-74	2	Nut-Lock, Bulkhead
8	14-0939	1	Radiator Mount Assembly (Incl. Ref. #7)	29	92-7781	1	Bumper
9	92-1394	1	Seal Strip - Screen	30	325-35	2	Screw-HH
10	92-1385	1	Screen Brkt - RH *b	31	74-5460	1	Angle Radiator Support
	92-1386	1	Screen Brkt - LH *b ●	32	3256-26	2	Washer-Flat
11	3234-11	5	Screw-HHF	33	76-6382	2	Strip-Sealing, Fan Shroud
12	82-3740	1	Cooler-Oil	34	304-46	1	Draincock
13	92-6550	1	Screen-Radiator	35	2811-1	1	Elbow-Street, 45 DEG
14	77-3620	6	Knob-Retainer	36	2412-3	2	Clamp-Hose
15	67-1300	1	Decal	37	74-5930	1	Hose - Rad Upper
16	32151-72	2	Ring-Retaining	38	74-6020	1	Hose-Radiator, Lower
17	76-9540	2	Hose-Hydraulic	39	74-4990	1	Shroud-Bottom
18	237-65	6	O-Ring	40	322-3	3	Screw-HH
19	37-8770	2	Bolt-Shoulder	41	74-9120	1	Hose-Overflow, Radiator
20	3296-47	5	Nut-Lock, NI	42	2412-36	1	Clamp-Hose
21	340-72	2	Fitting-Hydraulic 90Deg. (Incl. Ref. #18)	43	32128-49	2	Nut-HHF

● Not Illustrated.



Additional Weight Assembly

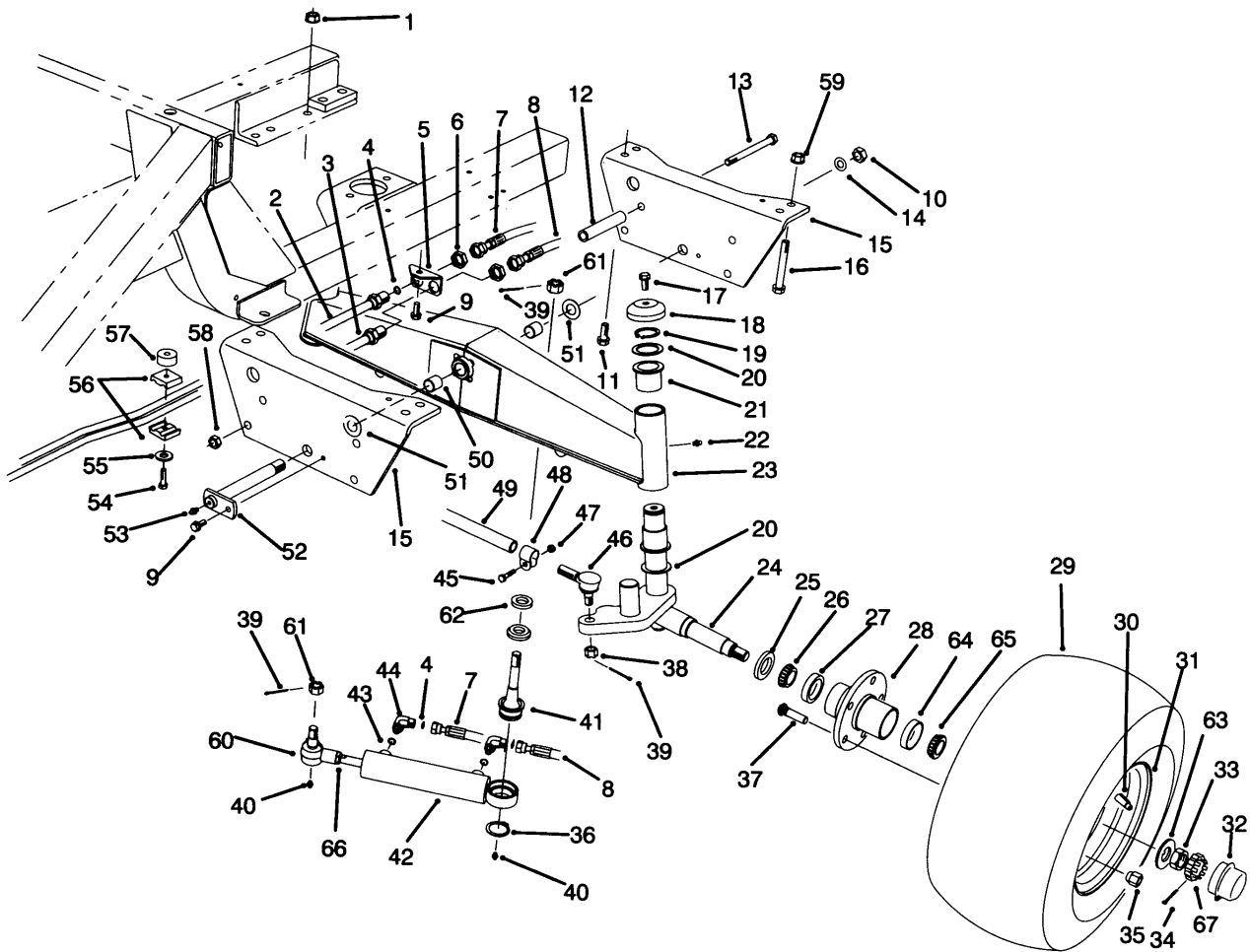
<i>Ref.</i>	<i>Part Number</i>	<i>Qty.</i>	<i>Description</i>
1	4-1570	2	Spacer
2	88-1220	2	Plate
3	88-1360	6	Washer-Weight, Rear
4	325-18	2	Screw-HH



Rear Axle Assembly (model No. 30450)

Ref.	Part Number	Qty.	Description	Ref.	Part Number	Qty.	Description
1	32128-23	6	Nut-HF	24	92-9725	1	Spindle-LH
2	86-5780	1	Tube-Hydraulic L.H. (Incl. Ref. #4)		92-9724	1	Spindle-RH ●
3	86-5790	1	Tube-Hydraulic R.H. (Incl. Ref. #4)	25	69-2980	2	Seal
4	237-22	4	O-Ring	26	254-106	2	Cone-Bearing, Tapered
5	74-6450	1	Bracket-Bulkhead, Steering	27	254-107	2	Cup-Bearing, Tapered
6	340-70	2	Nut-Lock	28	92-9651	2	Hub-Wheel (Incl. Ref. #27, 37, & 64)
7	86-3130	1	HYD Hose ASM	29	86-5910	2	Tire-6 Ply
8	86-3120	1	Hose ASM	30	232-27	2	Stem-Valve
9	32144-11	2	Screw-HWHTF	31	217-125	2	Rim
10	3296-51	1	Nut-Lock, NI	32	69-2970	2	Cap-Hub
11	3234-32	6	Screw-HHF	33	3220-7	2	Nut-Jam
12	76-8350	2	Stop-Axle	34	3272-13	2	Pin-Cotter
13	325-20	2	Screw-HH	35	242-50	10	Nut-Lug
14	3256-28	1	Washer-Flat	36	32151-104	1	Ring-Retaining, External
15	84-1170	2	Plate-Axle Pivot	37	92-9652	10	Stud-Bolt
16	325-35	2	Screw-HH	38	32136-13	2	Nut-SHH
17	3234-12	2	Screw-HHF	39	3272-12	4	Pin-Cotter
18	69-8890	2	Cap-Spindle	40	302-5	2	Fitting-Grease
19	32151-10	2	Ring-Snap	41	92-5839	1	Joint-Ball
20	62-2170	4	Washer-Thrust	42	92-6585	1	HYD Cylinder Assy - 2Wd
21	69-6470	4	Bushing-Caster	43	237-78	2	O-Ring
22	302-11	2	Fitting-Lube, 45 DEG	44	340-97	2	Fitting-Hydraulic 90Deg. (Incl. Ref. #4 & 43)
23	92-5835	1	Rear Axle Assembly (Incl. Ref. #21-22 & 50)	45	3210-5	2	Screw-HH

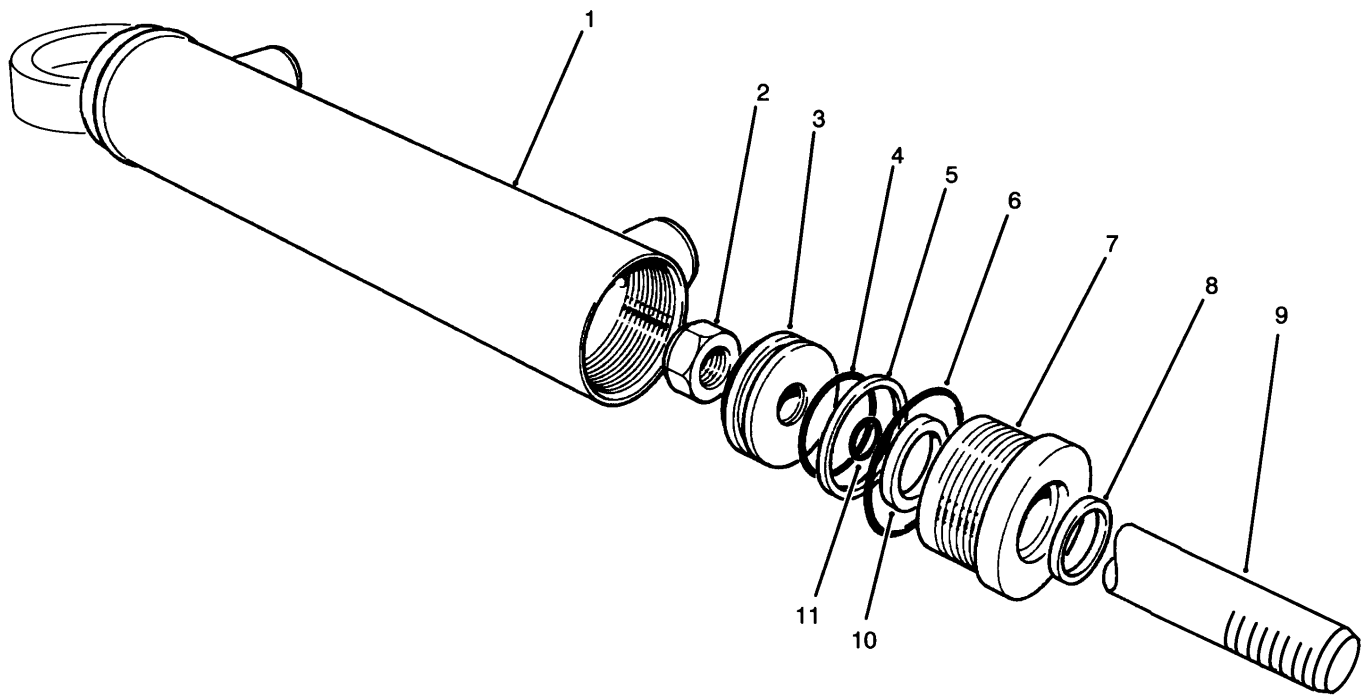
● Not Illustrated.



Rear Axle Assembly (model No. 30450) (continued)

Ref.	Part Number	Qty.	Description	Ref.	Part Number	Qty.	Description
46	2411-46	1	Joint-Ball L.H. (Incl. Ref. #38)	56	756-7973	2	Clamp-Tube
	2411-45	1	Joint-Ball R.H. (Incl. Ref. #38) ●	57	80-8660	1	Spacer-Coupler
47	32152-5	2	Nut-Lock, Cone	58	3296-45	2	Nut-Lock, NI
48	2412-122	2	Clamp Assembly (Incl. Ref. #45 & 47)	59	32128-49	2	Nut-HHF
49	2412-123	1	Tie Rod Assembly (Incl. Ref. #45, & 47-48)	60	92-5837	1	Asm-Rod End
50	76-4260	2	Bushing	61	32136-14	2	Nut-SHH
51	76-6570	2	Thrust Washer	62	92-5833	1	Spacer-Joint, Ball
52	74-5250	1	Pivot Pin - Axle	63	93-0309	2	Washer-Tab
53	302-2	1	Fitting-Grease	64	254-72	2	Bearing-Cup, Tapered
54	32104-37	1	Screw-HWH,Thd Cut	65	254-92	2	Cone-Bearing, Outer
55	3256-23	1	Washer-Flat	66	3220-11	1	Nut-Jam
				67	93-0307	2	Nut-Lock, Retainer
					74-5940	1	Assembly-Tie Rod (Incl. Ref. #39, & 45-49) ●

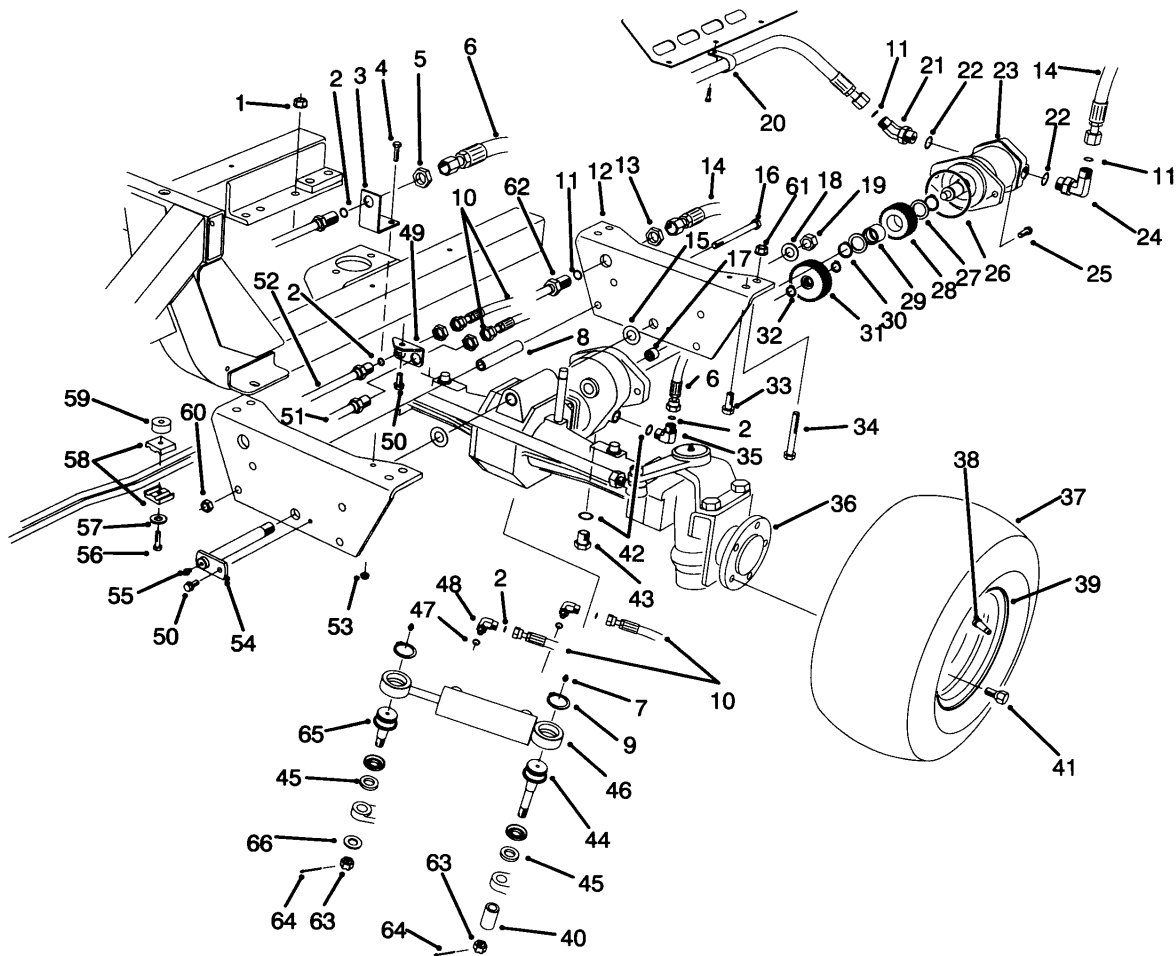
● Not Illustrated.



Hydraulic Cylinder No. 92-6585 (model No. 30450)

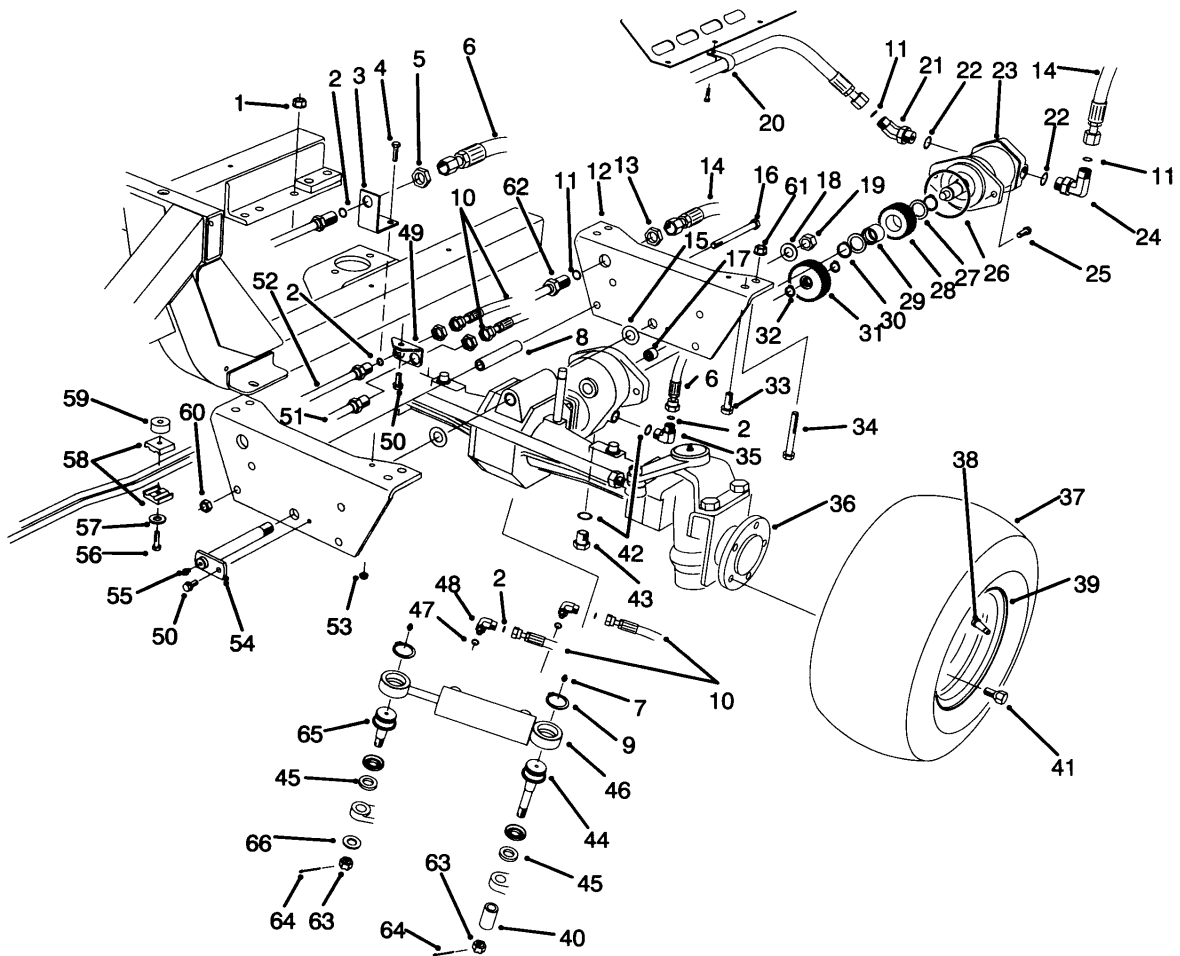
<i>Ref.</i>	<i>Part Number</i>	<i>Qty.</i>	<i>Description</i>
1	92-6590	1	Butt & Tube Assy
2	66-1930	1	Locknut
3	88-3670	1	Piston
5		1	Seal-Teflon
7	92-6592	1	Gland
8		1	Wiper
9	92-6591	1	Piston Rod Assy
10		1	U-Cup
	92-6594	1	Seal Kit (Incl. Ref. 4-6, 8, 10 & 11) ●

● Not Illustrated.



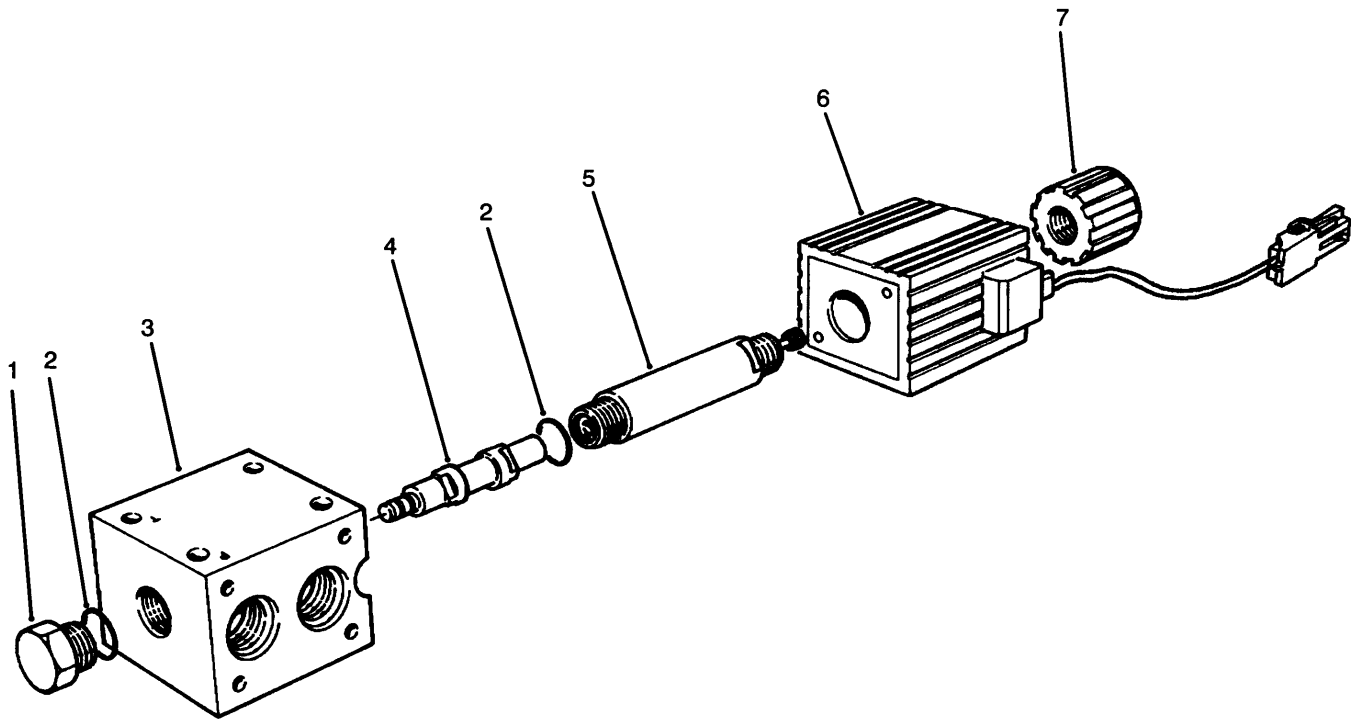
Rear Axle Assembly (model No. 30455)

Ref.	Part Number	Qty.	Description	Ref.	Part Number	Qty.	Description
1	32128-23	6	Nut-HF	28	92-5825	1	Gear - Driver, 12 Pitch
2	237-22	6	O-Ring	29	71-4580	1	Bearing
3	76-9290	1	Bracket-Drain, Case	30	32151-96	2	Ring-Retaining
4	3234-4	1	Screw-HHF	31	92-5826	1	Gear - Driven, 12 Pitch
5	340-70	3	Nut-Lock	32	32120-15	2	Ring-Snap, EXT
6	86-3140	1	Hose ASM	33	3234-32	6	Screw-HHF
7	302-5	2	Fitting-Grease	34	325-35	2	Screw-HH
8	76-8350	2	Stop-Axle	35	340-77	1	Fitting-HYD, 90 DEG
9	32151-104	2	Ring-Retaining, External	36	74-5621	1	Axle-4Wd
10	76-9590	2	Cylinder Rod Hose ASM	37	86-5910	2	Tire-6 Ply
11	237-65	9	O-Ring	38	217-125	2	Rim
12	84-1170	2	Plate-Axle Pivot	39	232-27	2	Stem-Valve
13	340-74	1	Nut-Lock, Bulkhead	40	92-5844	1	Spacer-Joint, Ball
14	86-2730	1	Hose ASM	41	74-5500	10	Bolt - Wheel
15	76-6570	2	Thrust Washer	42	237-42	2	O-Ring
16	325-20	2	Screw-HH	43	353-508	1	Plug
17	74-5700	1	Bearing-Needle, Roller	44	92-5839	1	Joint-Ball
18	3256-28	1	Washer-Flat	45	92-5833	2	Spacer-Joint, Ball
19	3296-51	1	Nut-Lock, NI	46	92-6584	1	53-9682Inder Assy - 4Wd
20	2412-74	1	R-Clamp	47	237-78	2	O-Ring
21	340-156	1	Fitting-HYD	48	340-97	2	Fitting-Hydraulic 90Deg. (Incl. Ref. #2 & 47)
22	237-81	2	O-Ring	49	74-6450	1	Bracket-Bulkhead, Steering
23	76-6580	1	Piston Motor ASM	50	32144-11	2	Screw-HWHTF
24	340-139	1	Fitting-Hydraulic 90Deg. (Incl. Ref. #11 & 22)	51	86-5790	1	LH Rear Steering Tube ASM
25	325-4	2	Screw-HH	52	86-5780	1	RH Rear Steering Tube ASM
26	237-166	1	O-Ring	53	32128-33	1	Nut-HF
27	71-4590	2	Washer-Thrust				



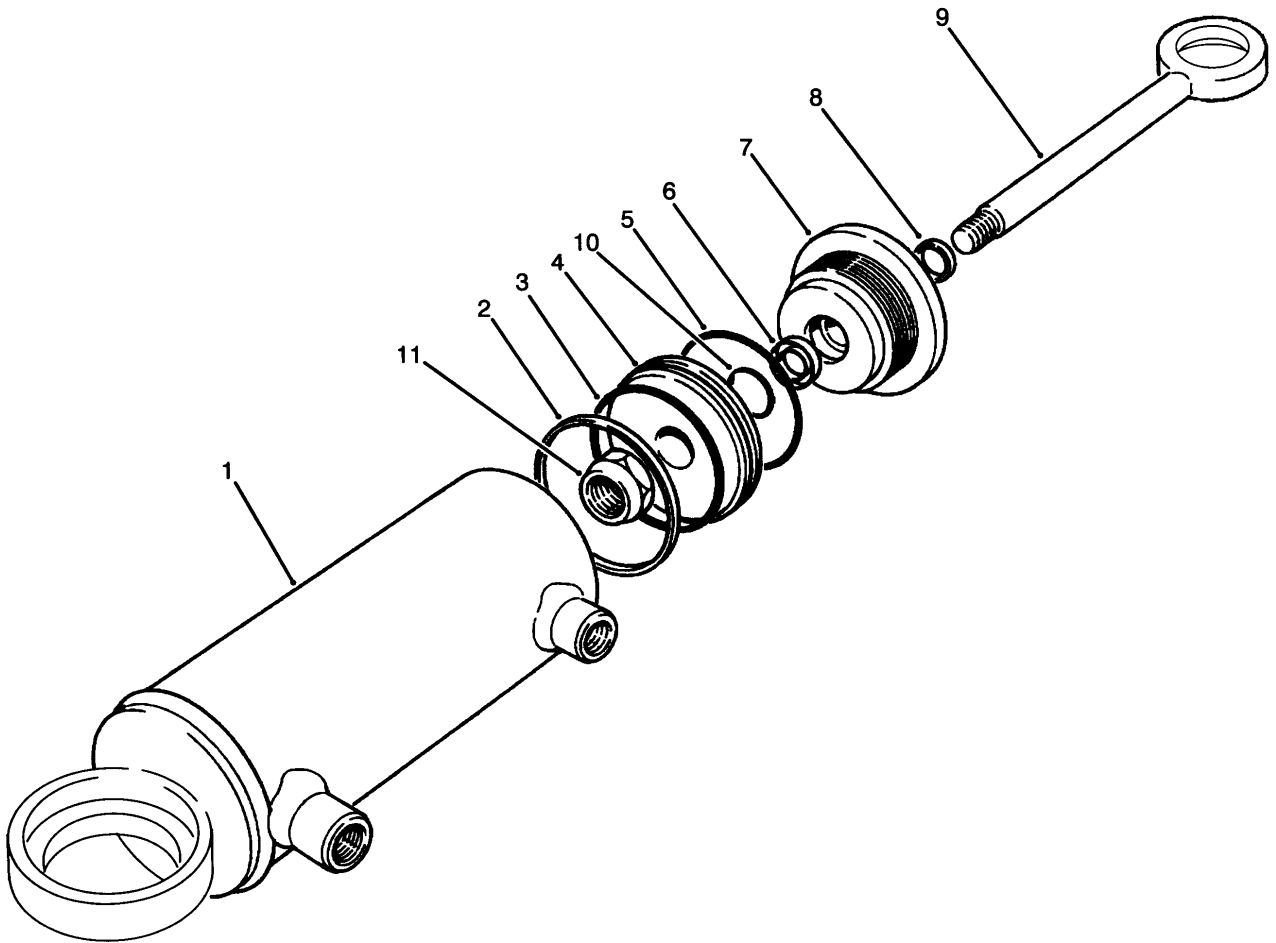
Rear Axle Assembly (model No. 30455) (continued)

<i>Ref.</i>	<i>Part Number</i>	<i>Qty.</i>	<i>Description</i>	<i>Ref.</i>	<i>Part Number</i>	<i>Qty.</i>	<i>Description</i>
54	74-5250	1	Pivot Pin - Axle	61	32128-49	2	Nut-HHF
55	302-2	1	Fitting-Grease	62	86-2770	1	4Wd Tube ASM
56	32104-37	1	Screw-HWH,Thd Cut	63	32136-14	2	Nut-SHH
57	3256-23	1	Washer-Flat	64	3272-12	2	Pin-Cotter
58	56-7973	2	Clamp-Tube	65	92-5838	1	Joint-Ball
59	80-8660	1	Spacer-Coupler	66	92-5836	1	Washer
60	3296-45	2	Nut-Lock, NI				



Solenoid Valve Assembly No. 76-9970 (model No. 30455 Only)

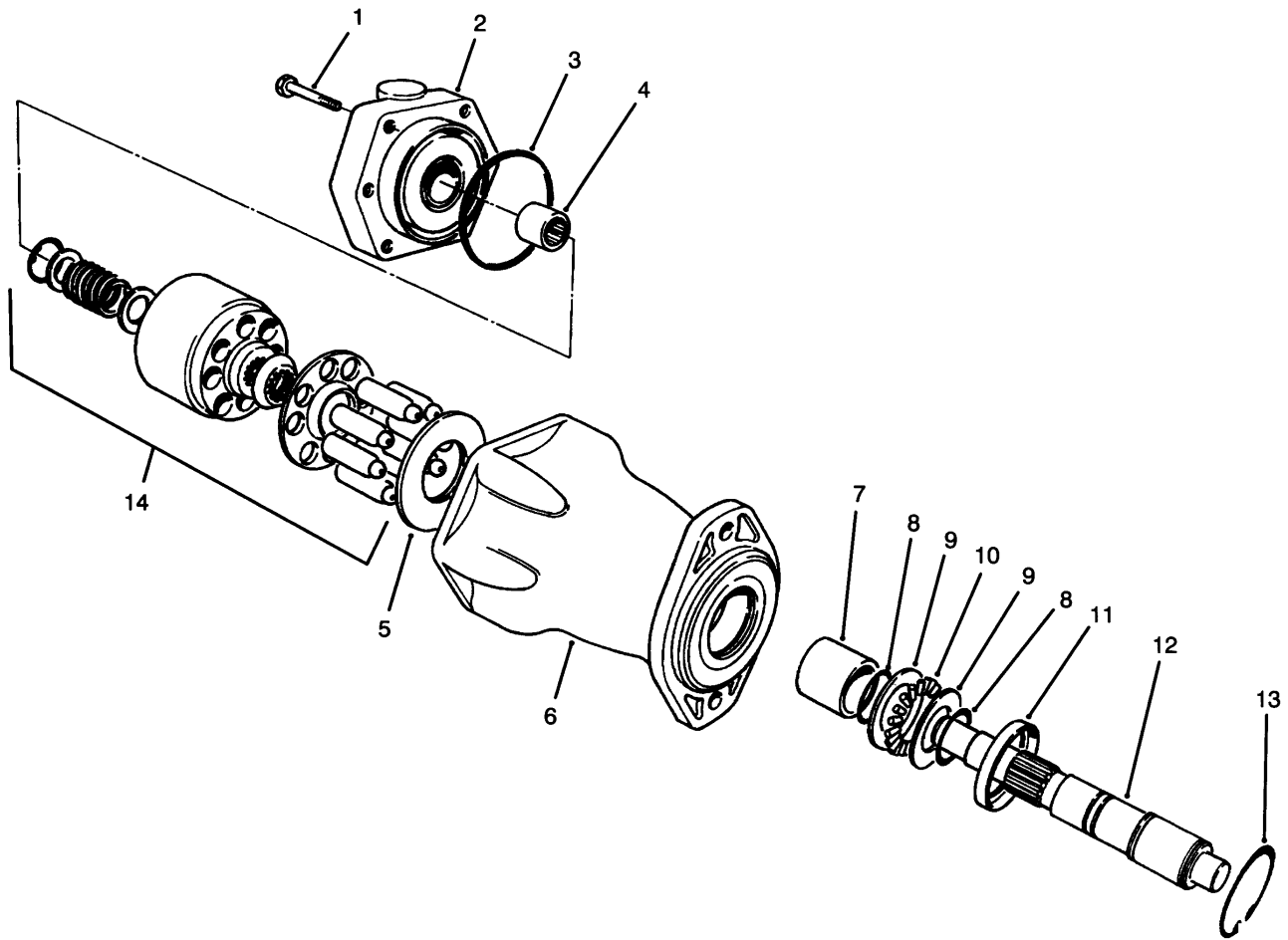
<i>Ref.</i>	<i>Part Number</i>	<i>Qty.</i>	<i>Description</i>
1		1	Adapter Assembly (Incl. Ref. #2)
2	237-80	2	O-Ring
3		1	Valve-Directional
4		1	Spool
5		1	Tube Assembly (Incl. Ref. #2)
6	218-591	1	Coil ASM
7	218-592	1	Nut-Coil



Hydraulic Cylinder No. 92-6584 (model No. 30455)

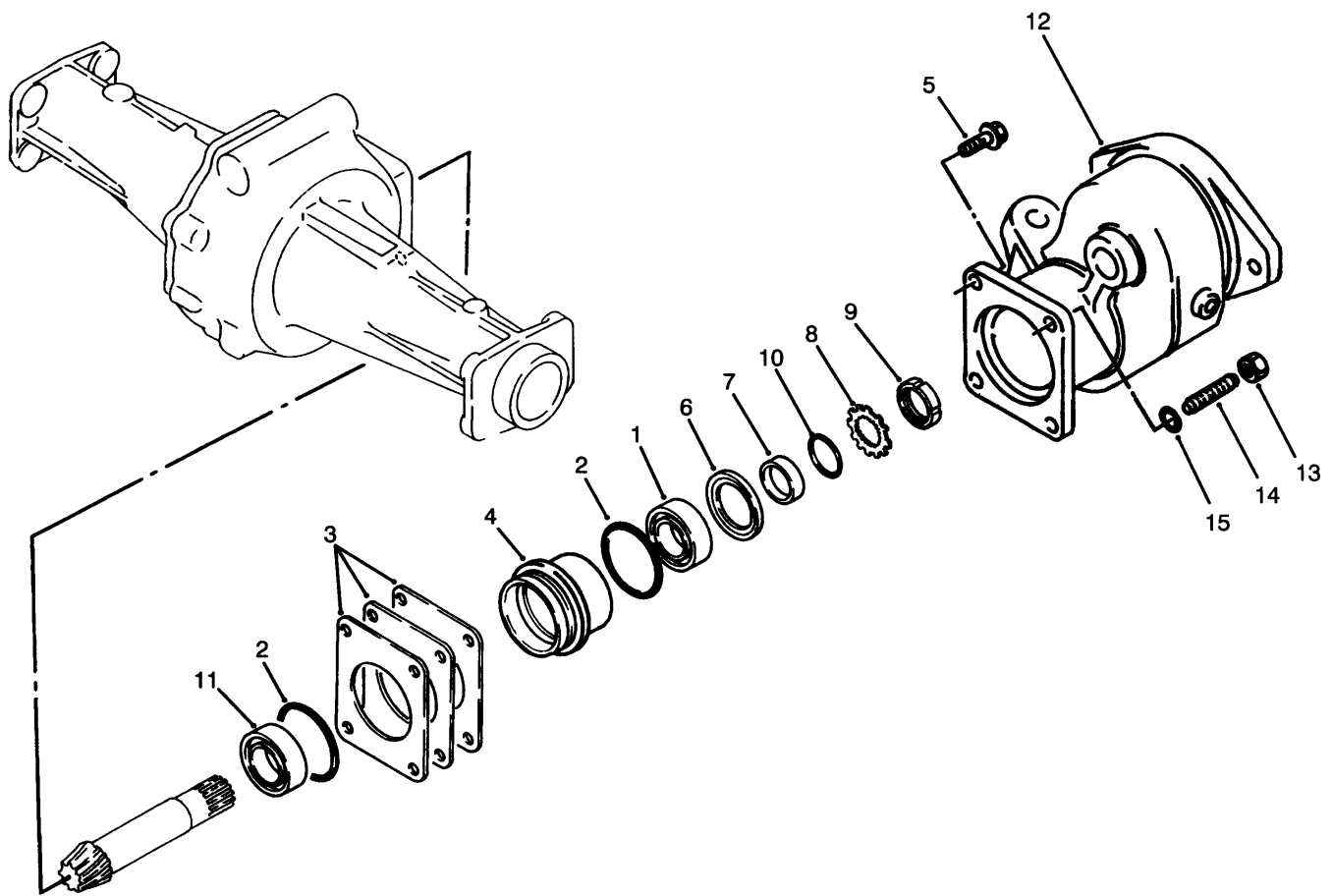
<i>Ref.</i>	<i>Part Number</i>	<i>Qty.</i>	<i>Description</i>
1	92-6586	1	Butt & Tube Assy
2		1	Seal-Teflon
4	66-1940	1	Piston
6		1	U-Cup
7	92-6588	1	Gland
8		1	Wiper
9	92-6587	1	Piston Rod Assy
11	66-1930	1	Locknut
	92-6593	1	Kit-Seal (Incl. Ref. #2, 3, 5, 6, 8, & 10)●

● Not Illustrated.



Hydraulic Motor No. 76-6580 (model No. 30455)

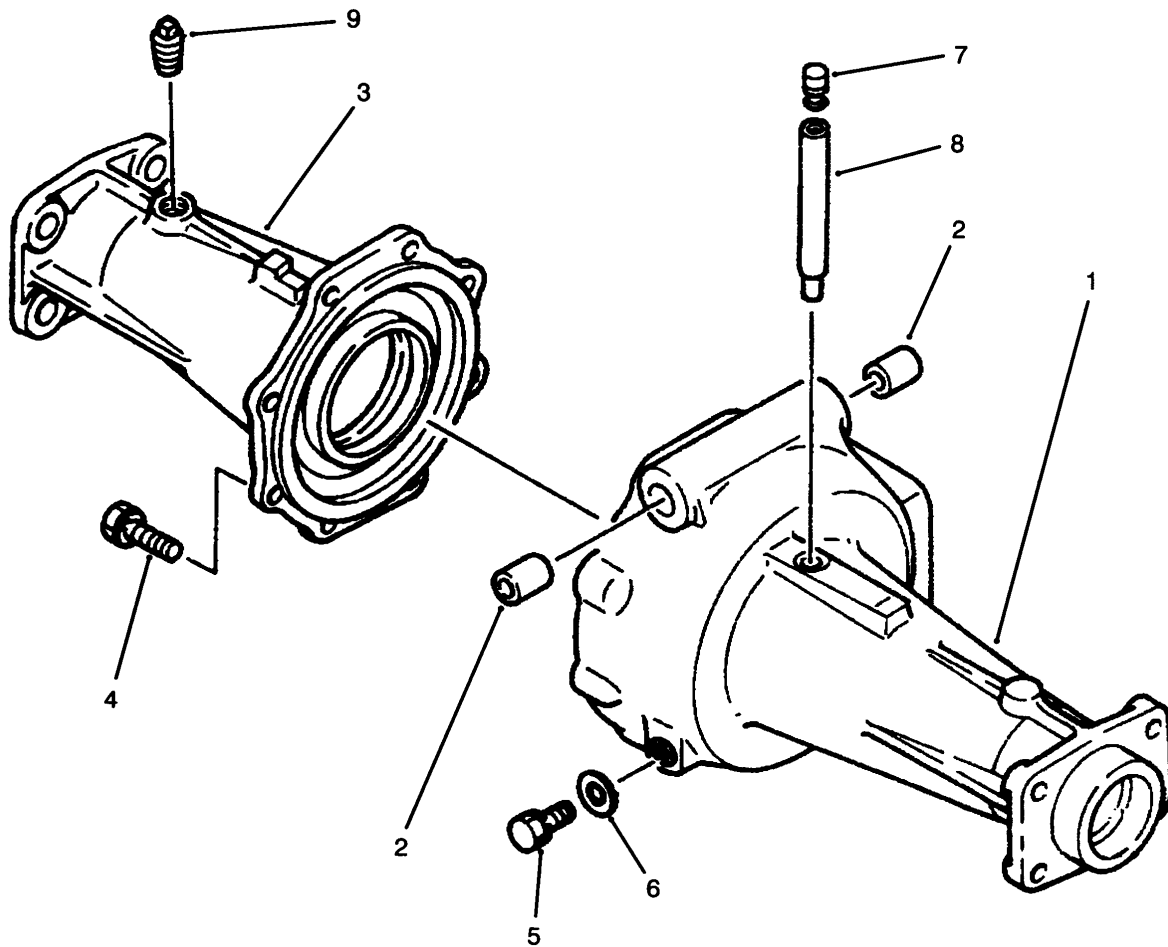
<i>Ref.</i>	<i>Part Number</i>	<i>Qty.</i>	<i>Description</i>
1	76-6990	6	Capscrew
2	76-6920	1	Back Plate Assembly (Incl. Ref. #4)
3	76-6980	1	O-Ring
5	76-6970	1	Insert-Plate, Cam
6	76-6940	1	Housing Assembly (Incl. Ref. #7)
8	76-7000	2	Ring-Retaining
9	76-6950	1	Race-Thrust
10	76-6960	1	Bearing-Thrust
11	76-7020	1	Spacer
12	76-6930	1	Shaft-Drive
13	76-7010	1	Ring-Retaining
14	76-6910	1	Rotating Kit



Sleeve Assembly Axle No. 74-5621 (model No. 30455 Only)

Ref.	Part Number	Qty.	Description
1	76-7330	1	Bearing
2	76-7400	2	O-Ring
3	76-7410	0	Shim
	76-7420	0	Shim ●
	76-7430	0	Shim ●
4	76-7320	1	Sleeve
5	76-7150	3	Bolt
6	76-7340	1	Seal-Oil
7	76-7350	1	Bushing
8	76-7380	1	Washer
9	76-7390	1	Locknut
10	76-7360	1	O-Ring
11	76-7370	1	Bearing
12	76-8070	1	Adaptor
13	76-7690	1	Nut
14	76-7450	1	Bolt Stud
15	76-7460	1	Washer
	77-4010	1	Shim Set (Incl. Ref. #3) ●

● Not Illustrated.

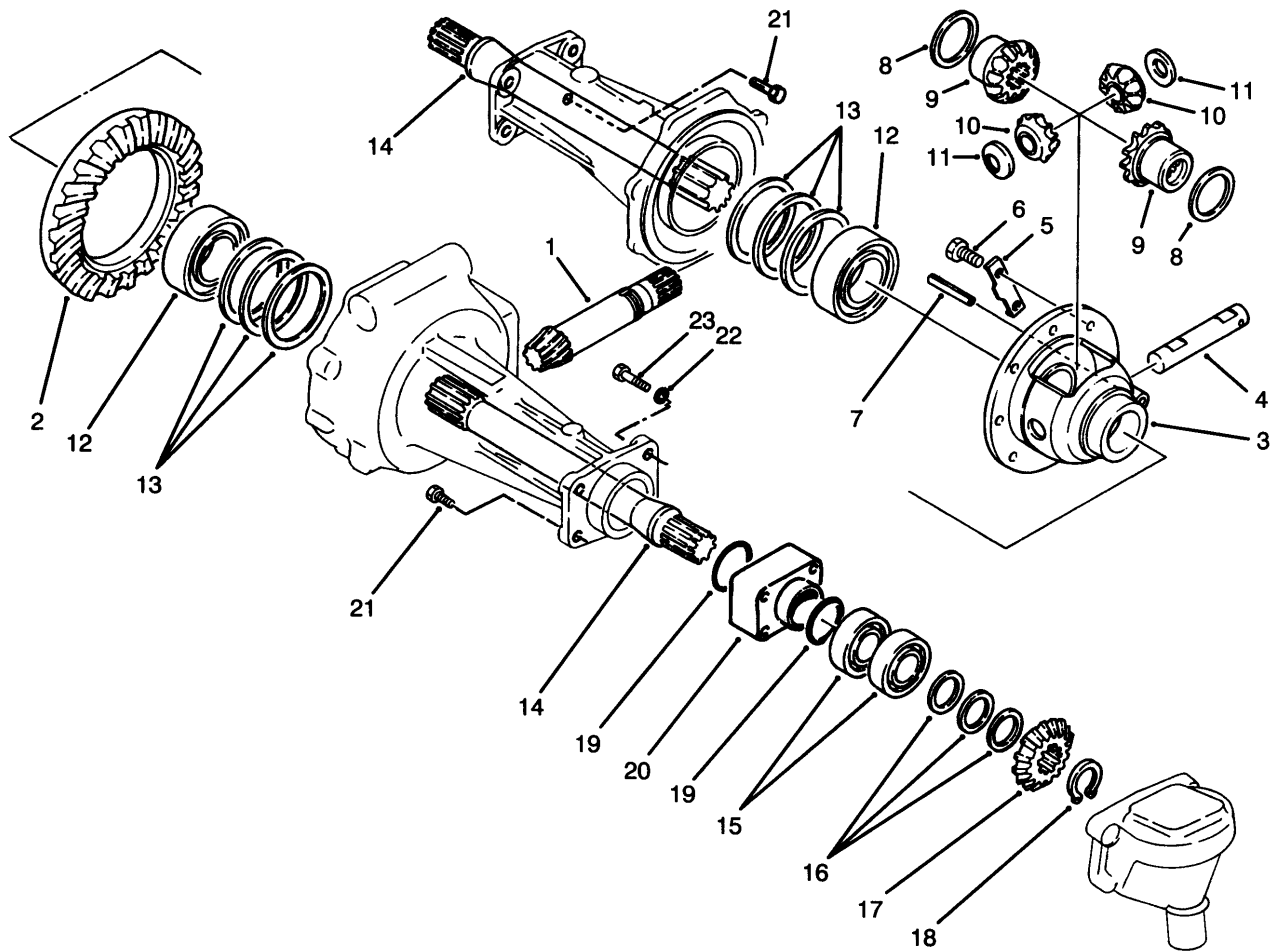


Axle Housing Assembly Axle No. 74-5621 (model No. 30455 Only)

Ref.	Part Number	Qty.	Description
1	76-7100	1	Housing Axle A
2	76-4260	2	Bushing
	92-9738	1	Bushing - Flange ■●
3	76-7130	1	Housing Axle B
4	76-7150	8	Bolt
5	76-7110	1	Plug
6	76-7120	1	Seal-Washer
7	76-7480	1	Plug - Vent
8	76-7470	1	Pipe
9	76-7140	1	Plug

● Not illustrated

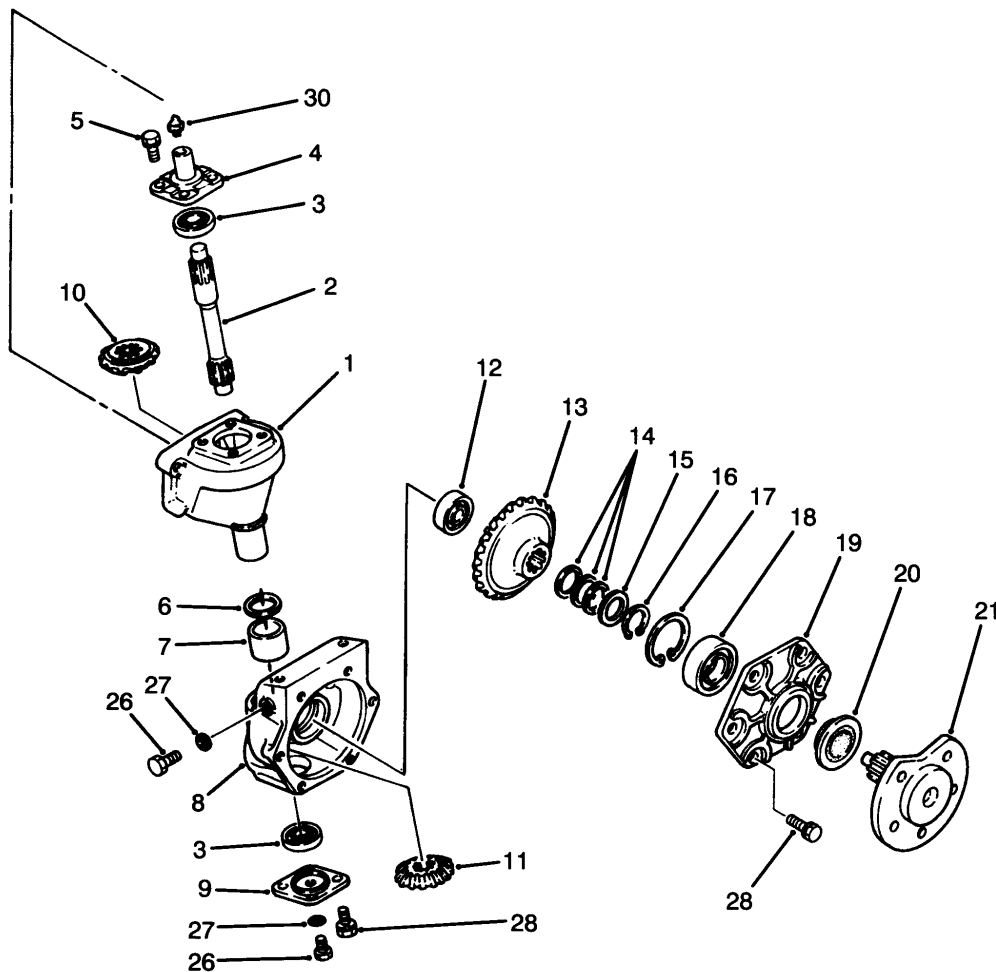
■ Used on Model 30455 Serial No. 50118 & Up.



Differential and Shaft Assembly Axle No. 74-5621 (model No. 30455 Only)

Ref.	Part Number	Qty.	Description	Ref.	Part Number	Qty.	Description
1	76-7250	1	Drive - Pinion	15	76-7500	4	Bearing-Ball
2	76-7240	1	Gear - Ring	16	76-7520	0	Shim
3	76-7170	1	Case, Diff		76-7530	0	Shim ●
4	76-7200	1	Shaft - Pinion		76-7540	0	Liner ●
5	76-7230	4	Washer - Lock	17	76-7510	2	Pinion - 14T
6	76-7260	8	Bolt	18	76-7550	2	Ring
7	76-7270	1	Pin - Spring	19	76-7580	4	O-Ring
8	76-7220	2	Washer - Thrust	20	76-7590	2	Spacer
9	76-7190	2	Gear-Side	21	76-7600	2	Bolt - Reamer
10	76-7180	2	Pinion-Mate	22	76-7620	6	Washer
11	76-7210	2	Washer - Thrust	23	76-7610	6	Bolt
12	76-7280	2	Bearing		76-7160	1	Gear Case Assembly (Incl. Ref. #2-11) ●
13	76-7290	0	Liner		77-4000	1	Shim Set (Incl. Ref. #13) ●
	76-7300	0	Shim ●		77-4020	1	Shim Set (Incl. Ref. #16) ●
	76-7310	0	Liner ●				
14	76-7490	2	Shaft-Differential				

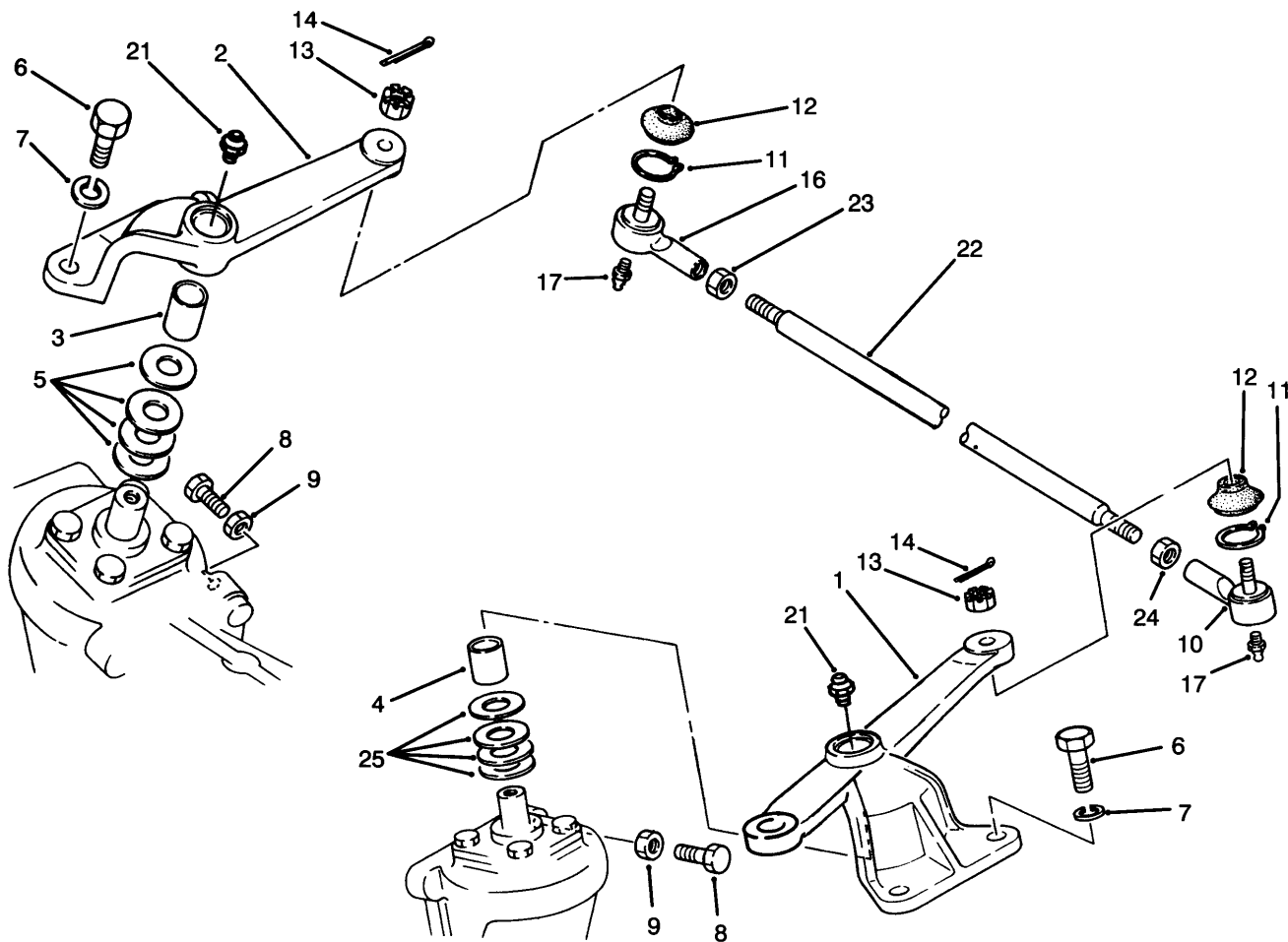
● Not illustrated



Steering Gear Case Assembly Axle No. 74-5621 (model No. 30455 Only)

Ref.	Part Number	Qty.	Description	Ref.	Part Number	Qty.	Description
1	76-7560	2	Case - Gear		76-7900	0	Shim ●
2	76-7650	2	Shaft		76-7910	0	Shim ●
3	76-7670	4	Bearing	15	76-7880	2	Shim
4	76-7660	1	Holder	16	76-7920	2	Ring
	76-7630	1	Holder ●	17	76-7930	2	Ring
5	76-7640	8	Bolt	18	76-7860	2	Bearing
6	76-7740	2	Seal-Oil	19	76-7810	2	Holder - Bearing
7	76-7730	2	Bushing	20	76-7870	2	Seal-Oil
8	76-7680	2	Case - Final	21	76-7830	2	Hub-Wheel
9	76-7770	2	Cover	26	76-7110	4	Plug
10	76-7510	2	Pinion - 14T	27	76-7120	4	Seal-Washer
11	76-7750	2	Pinion - 15T	28	76-7640	20	Bolt
12	76-7850	2	Bearing	30	76-7960	2	Nipple - Grease
13	76-7840	2	Gear - Bevel 29		77-4030	1	Shim Set (Incl. Ref. #14) ●
14	76-7890	0	Spacer				

● Not illustrated

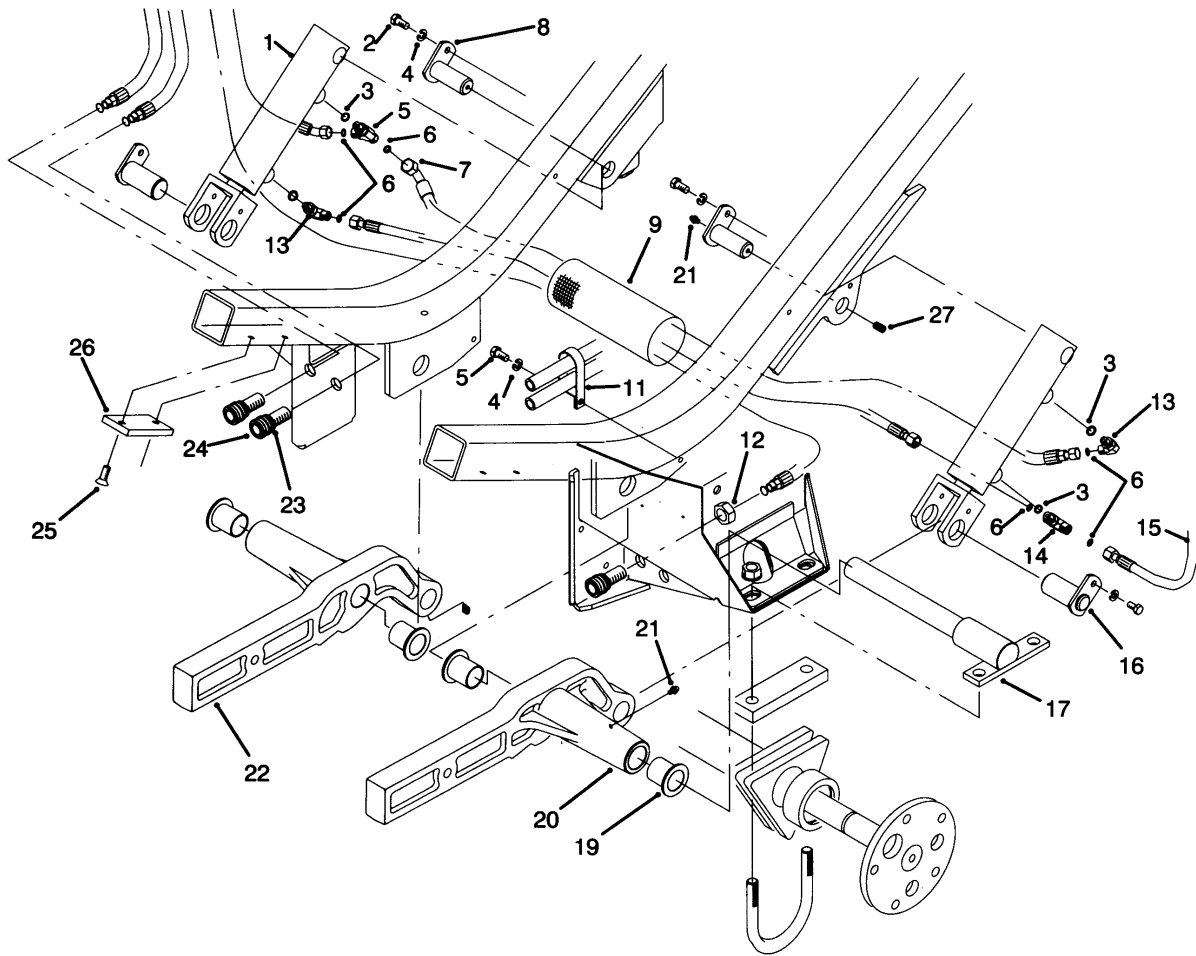


Steering Arm Linkage Axle No. 74-5621 (model No. 30455 Only)

Ref.	Part Number	Qty.	Description	Ref.	Part Number	Qty.	Description
1	76-7800	1	Ann Drag Link	13		2	Nut-Slotted ■
2	76-7940	1	Arm-Me Rod	14	3272-7	2	Pin-Cotter
3	76-4260	1	Bushing	16	76-8050	1	R.H. Rod End Assembly (Incl. Ref. #11-14 & 17)
4	76-7950	1	Bushing	17		2	Fitting-Grease ■
5	76-7820	0	Shim - Thrust B	21	76-7960	2	Nipple - Grease
	76-7970	0	Shim - Thrust C ●	22	76-8020	1	Rod-Tie
	76-7980	0	Shim - Thrust D ●	23	76-8060	1	Nut
	76-7990	0	Shim - Thrust E ●	24	76-8040	1	Nut
6	76-8000	4	Bolt - Reamer	25	76-7700	0	Shim - Thrust J
7	76-8010	2	Washer		76-7760	0	Shim - Thrust H ●
8	76-7710	2	Bolt		76-7780	0	Shim - Thrust G ●
9	76-7720	4	Nut		76-7790	0	Shim - Thrust F ●
10	76-8030	1	L.H. Rod End Assembly (Incl. Ref. #11-14 & 17)		77-4050	1	Shim Set (Incl. Ref. #5) ●
12		2	Cover ■		77-4040	1	Shim Set (Incl. Ref. #25) ●

● Not illustrated

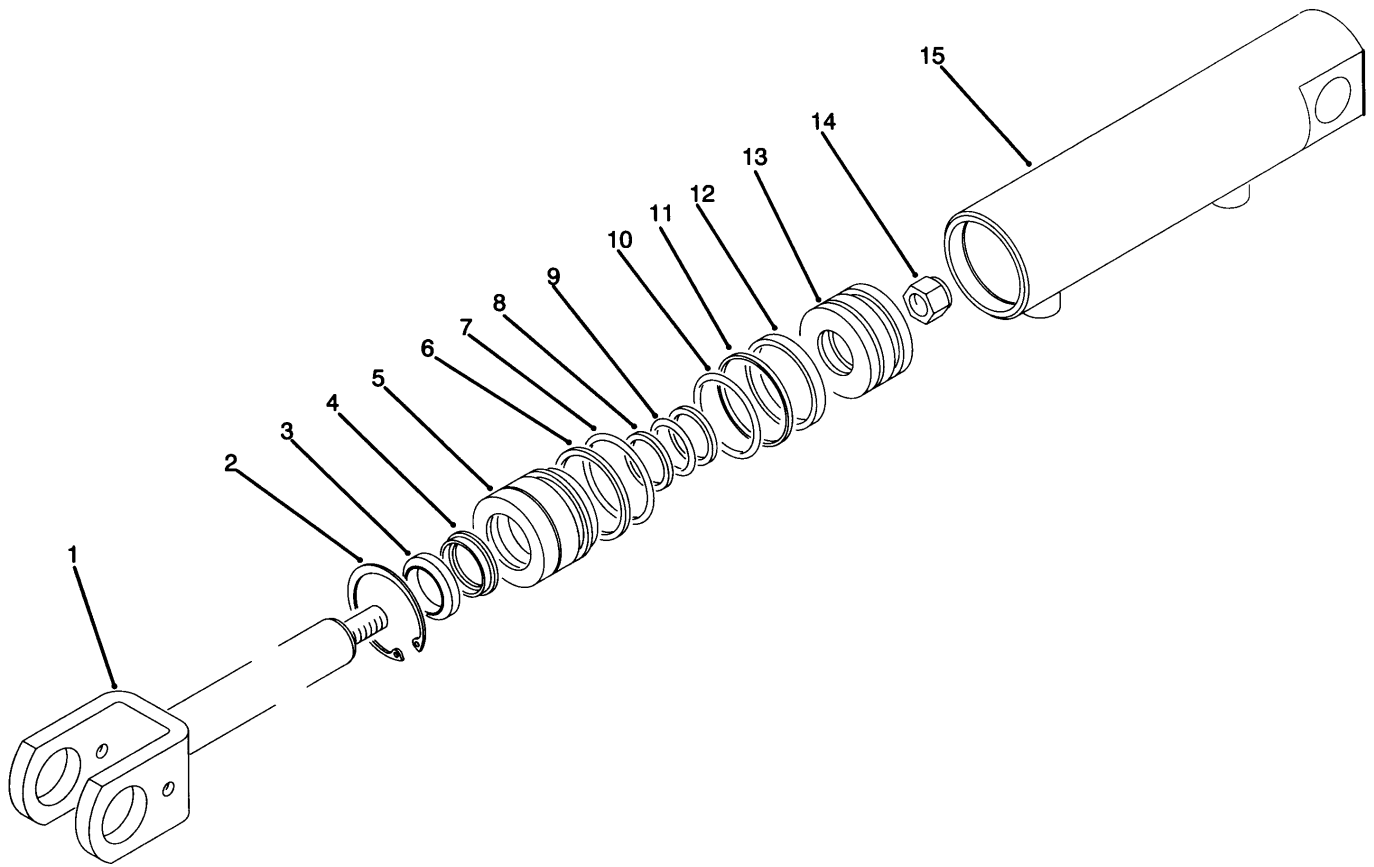
■ Not serviced separately



Lift Arm Assembly

Ref.	Part Number	Qty.	Description	Ref.	Part Number	Qty.	Description
1	86-5580	2	HYD Cylinder ASM	15	86-3170	1	Hose ASM
2	322-2	5	Screw-HH	16	88-1190	2	Pin-Pivot
3	237-78	4	O-Ring	17	86-2790	1	Pin-Pivot L.H.
4	3253-4	5	Washer-Lock		88-1200	1	Pin-Pivot R.H. ●
5	340-140	1	Adapter-Tee	19	68-6480	4	Bushing-Flange
6	237-21	6	O-Ring	20	84-0730	1	Arm-Lift L.H.
7	86-3160	1	Hose ASM	21	302-5	6	Fitting-Grease
8	84-1350	2	Pin-Pivot	22	86-5890	1	Arm-Lift R.H.
9	70-1380	1	Sleeve-Protective	23	237-79	3	O-Ring
11	2412-137	1	Clamp-R, Double	24	86-5450	3	Coupler
12	3220-7	3	Nut-Jam	25	32108-58	4	Screw-FH
13	340-132	2	Fitting-HYD, 90 DEG	26	69-9300	2	Pad-Bumper
14	340-125	1	Fitting-Tee	27	3247-4	2	Screw-Set

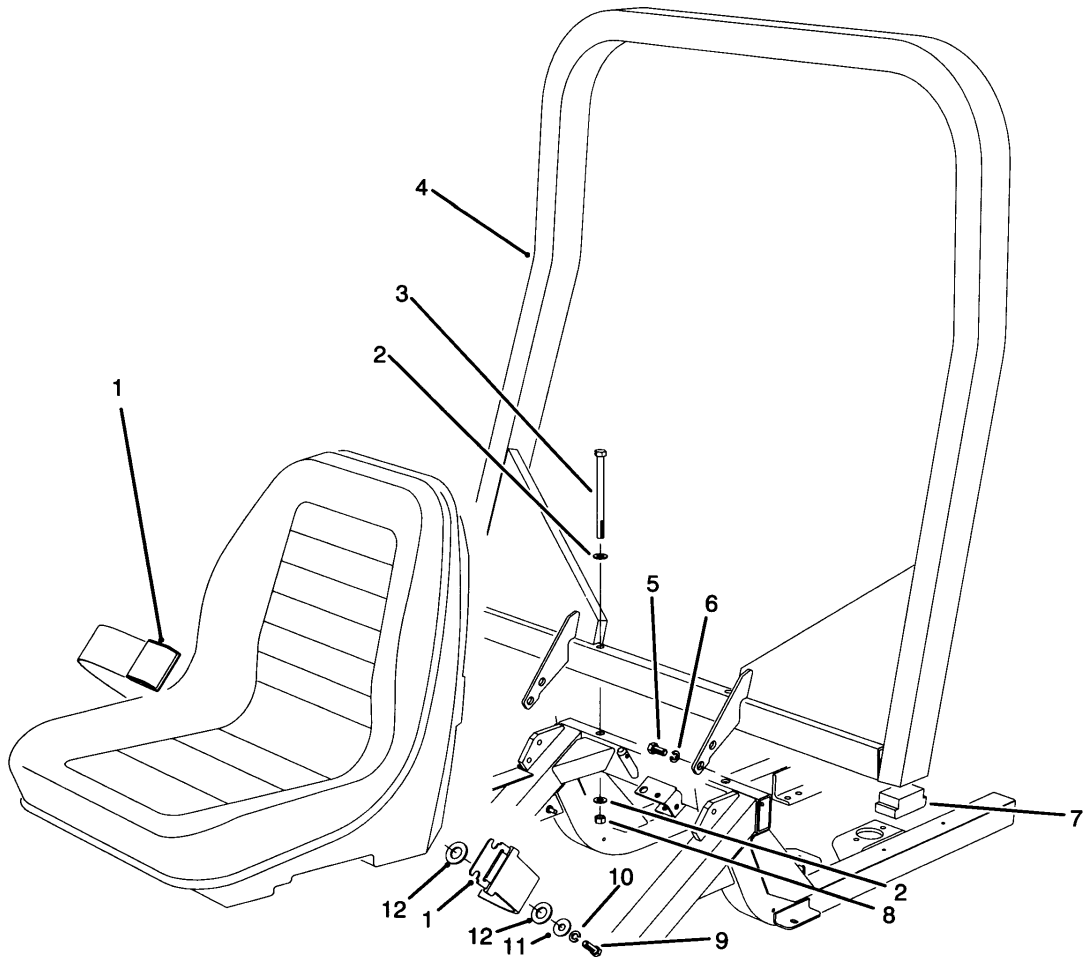
● Not Illustrated.



Hydraulic Cylinder No. 86-5580

<i>Ref.</i>	<i>Part Number</i>	<i>Qty.</i>	<i>Description</i>
1	88-3620	1	Rod ASM
3		1	Wiper-Rod
4		1	U-Cup-Loaded
5	88-3630	1	Head-Ring, Snap
6		1	Ring-Back-Up
8		2	Ring-Back-Up
11		1	Ring-Piston, Unithane
12		1	Ring-Wear
13	88-3600	1	Piston
14	88-3590	1	Nut-Lock
15	88-3610	1	Barrel ASM
	88-3640	1	Kit-Seal (Incl. Ref. #2-4 & 6-12) ●

● Not Illustrated.



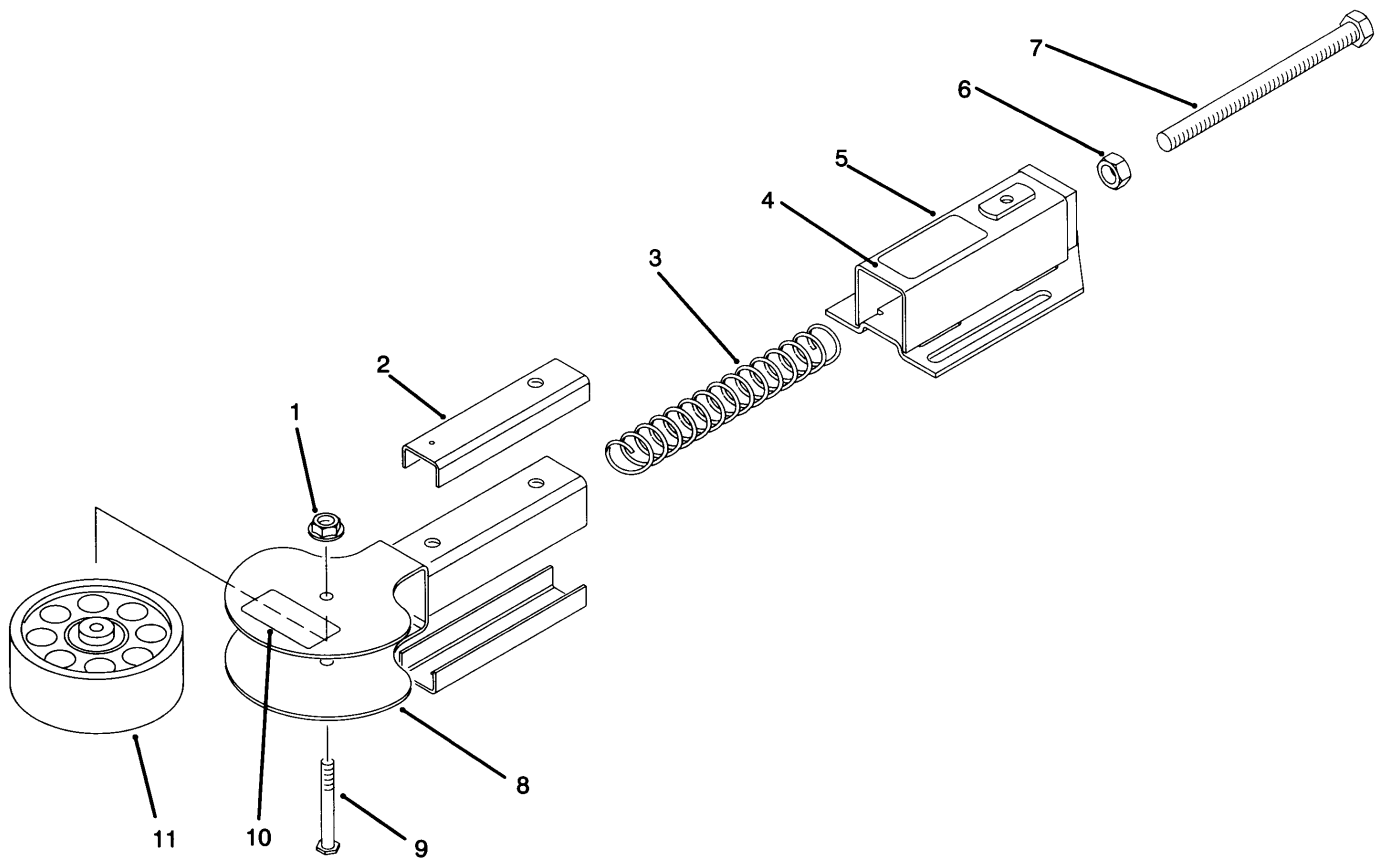
Roll-Over Protection System Assembly (Standard For Model No. 30455, Optional For Model No. 30450)

Ref.	Part Number	Qty.	Description
1	21-4191	1	Seat Belt ASM ▲
2	3256-26	4	Washer-Flat ▲
3	325-33	2	Screw-HH ▲
4	76-9370	1	Bar-R.O.Rs. ▲
5	325-2	4	Screw-HH ▲
6	3253-7	4	Washer-Lock ▲
7	82-5370	2	Foam-ROPS ▲
8	3296-25	2	Nut-Lock, NI ▲
9	3212-5	2	Screw-HH ▲
10	3253-6	2	Washer-Lock ▲
11	3256-5	2	Washer-Flat ▲
12	3256-28	2	Washer-Flat ▲
		1	Canopy Assembly (Optional) ▲■●

● Not illustrated

■ Not serviced separately

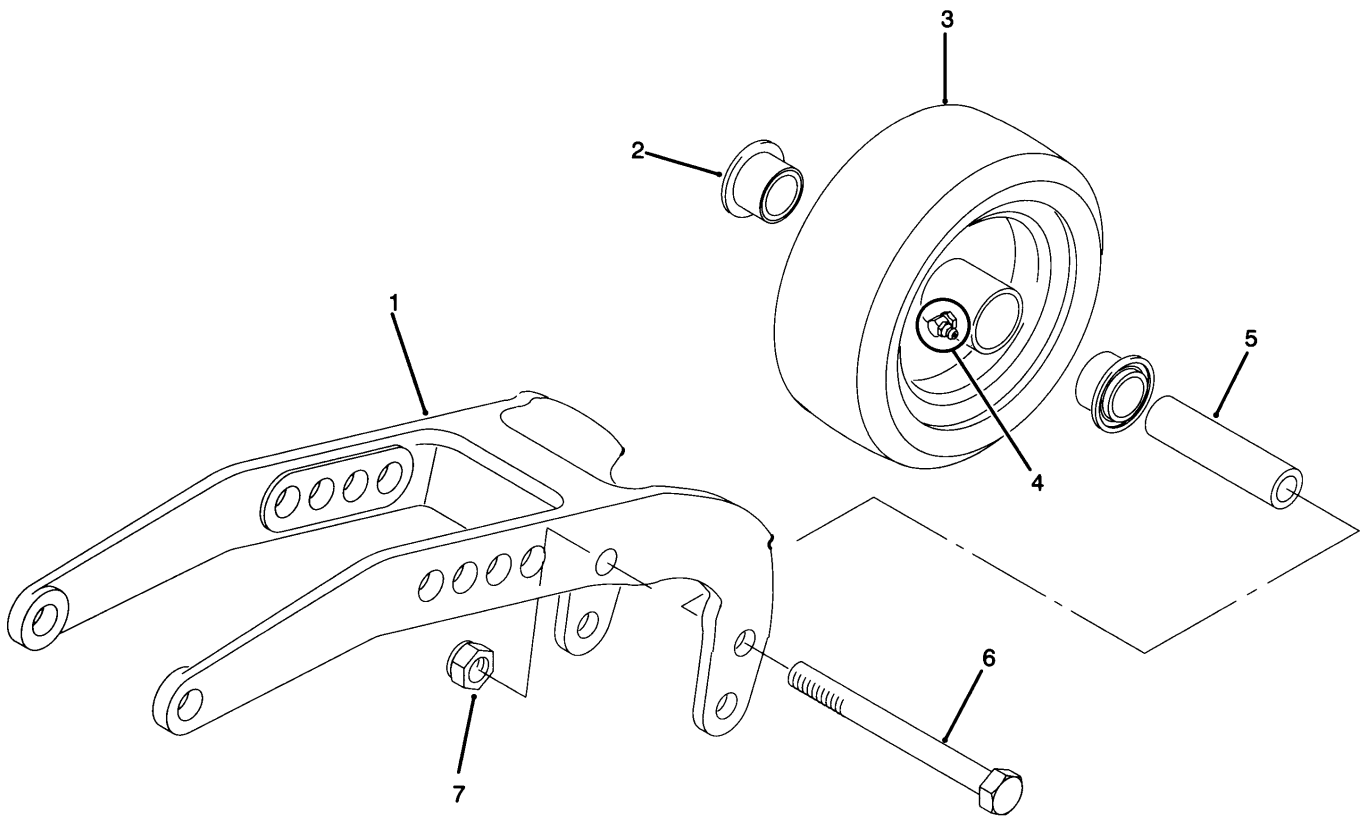
▲ NOTE: When purchasing Canopy assembly or R.O.P.S. assembly in its entirety, order direct from Custom Products PO Box 718 Litchfield, MN 55355



Belt Tension Adjustor

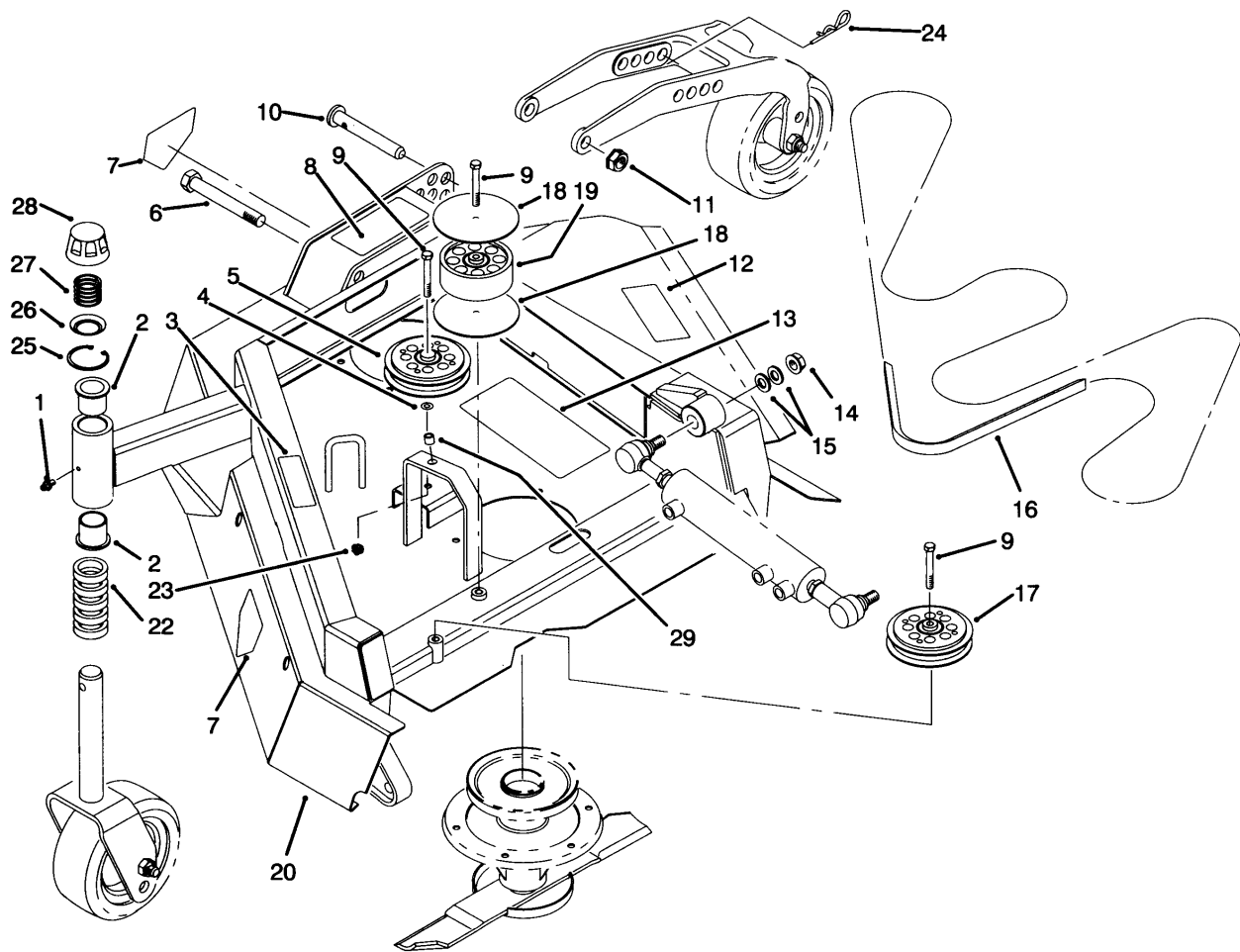
<i>Ref.</i>	<i>Part Number</i>	<i>Qty.</i>	<i>Description</i>
1	32128-43	3	Nut-Flange
2	86-0060	6	Sleeve-Tube
3	92-7767	2	Spring-Compression
	92-7768	1	Spring-Compression ●
4	86-2670	1	Decal-Pulley Adj
5	92-0626	3	Assembly-Tube W.A. (Incl. Ref. #4)
6	3217-9	3	Nut-HH
7	86-0050	3	Screw
8	86-1790	3	Yoke-Pulley
9	86-2000	3	Screw
10	55-4300	1	Decal-Warning
11	92-0625	3	Flat Pulley ASM

● Not Illustrated.



Rear Pivot Arm Assembly

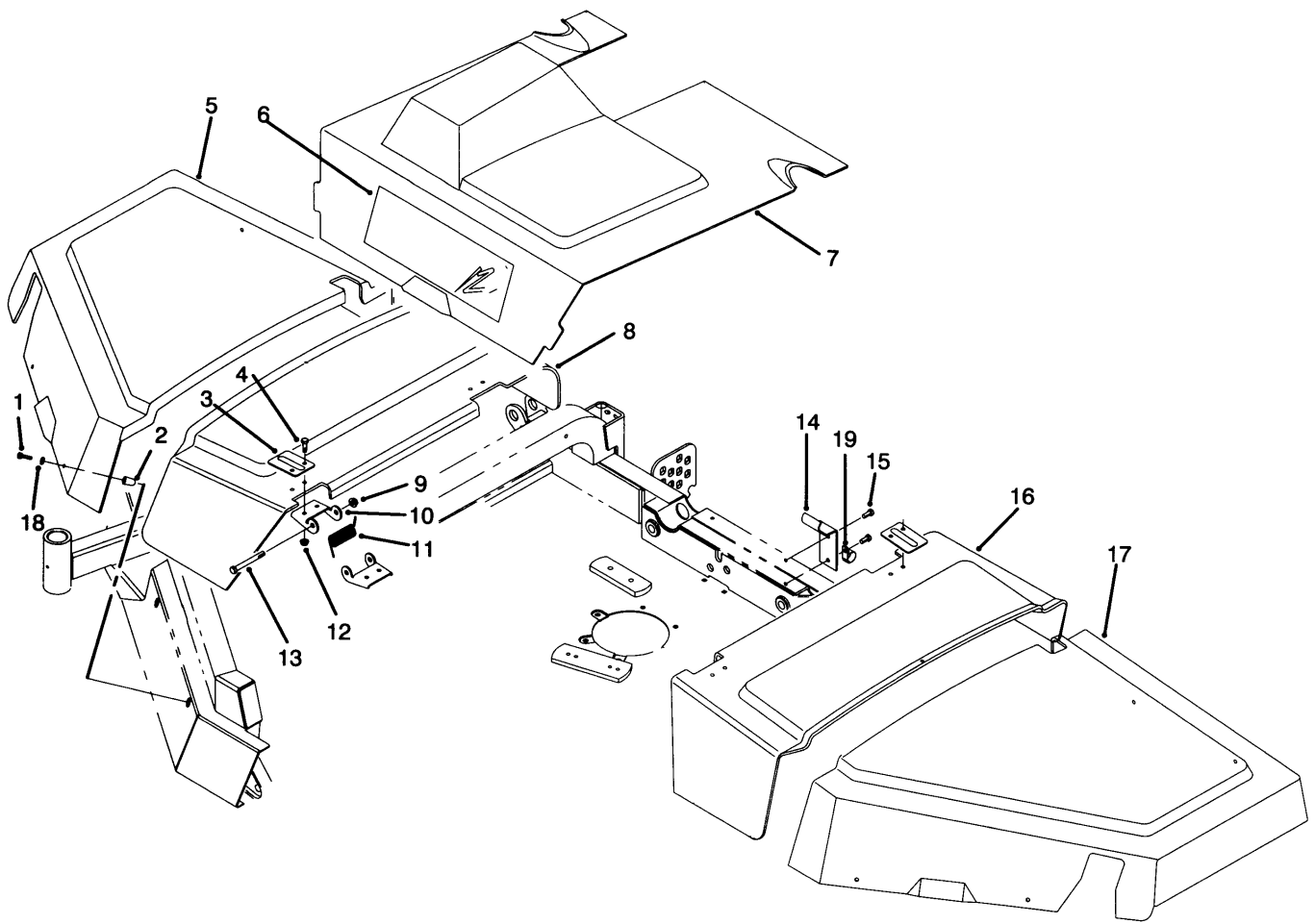
<i>Ref.</i>	<i>Part Number</i>	<i>Qty.</i>	<i>Description</i>
1	75-9790	2	Arm-Pivot
2	251-321	4	Bearing-Ball, Flanged
3	86-0020	2	Assembly-Wheel, Castor (Incl. Ref.#2, 4 & 5)
4	302-40	2	Fitting-Grease
5	251-332	2	Spacer-Inner
6	327-24	2	Screw-HH
7	3296-53	2	Nut-Lock, NI



Wing Deck Assembly-R.h.

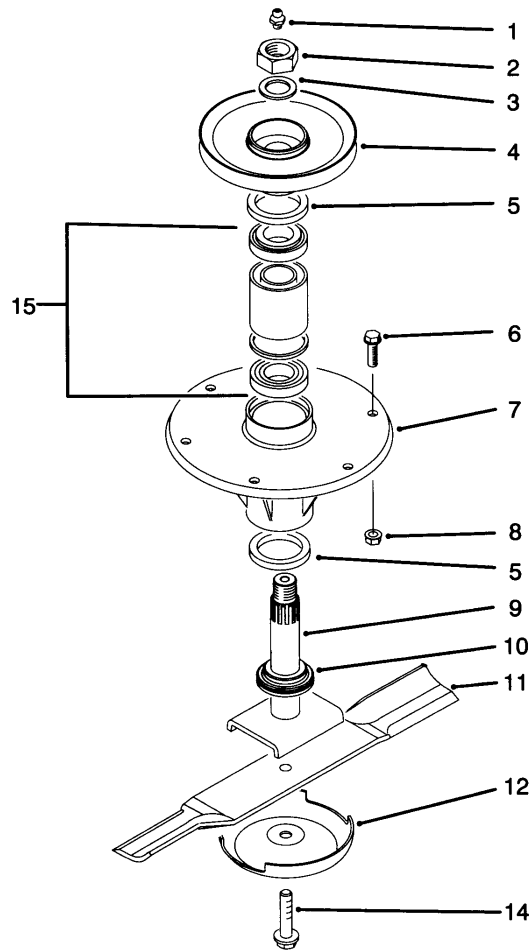
Ref.	Part Number	Qty.	Description	Ref.	Part Number	Qty.	Description
1	302-5	1	Fitting-Grease	17	92-9722	1	V-Pulley ASM
2	69-6470	2	Bushing-Caster	18	86-2600	2	Belt Guide Washer *r
3	85-6410	1	Decal-Danger	19	92-0625	1	Flat Pulley ASM
4	3256-35	1	Washer-Flat	20	92-7758	1	Wing Deck Assembly R.H. (Incl. Ref. #2, 3, 7, 8, 12, 13 & 29)
5	92-9721	1	Idler Pulley Assembly	22	69-1510	5	Spacer-Caster
6	3216-6	1	Screw-HH	23	3296-39	1	Nut-Lock, NI
7	43-8480	2	Decal-Danger	24	3290-256	1	Pin-Hair
8	86-0700	1	Decal-HOC, RH Wing	25	92-5581	1	Ring-Retaining
9	323-13	3	Screw-HH	26	92-5583	1	Washer-Cap
10	86-2010	1	Pin-HOC	27	92-9726	1	Spring-Compression
11	3296-15	1	Nut-Lock, NI	28	92-8861	1	Cap-HOC
12	66-1340	1	Decal-Danger, Thrown Object	29	32148-10	1	Insert-Nut
13	86-0760	1	Decal-Belt, RH		92-9727	1	Assembly-Cap, H.O.C. (Incl. Ref. #25-28) ●
14	32128-54	1	Nut-HF				
15	86-1440	2	Washer-Flat				
16	86-1960	1	V-Belt				

● Not Illustrated.



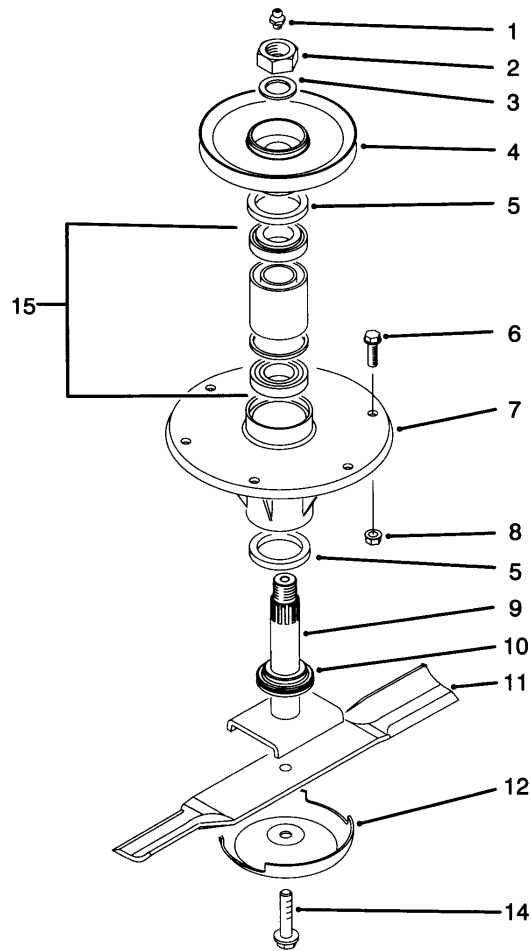
Cover Assembly

<i>Ref.</i>	<i>Part Number</i>	<i>Qty.</i>	<i>Description</i>
1	3250-20	8	Screw-PPH
2	86-0790	8	Insert-Cover
3	86-1900	4	Plate-Hinge
4	3234-29	8	Screw-HHF
5	86-1840	1	Cover-Deck, RH
6	86-0770	1	Decal-Quadfloat
7	86-1860	1	Cover-Center
8	86-1870	1	Cover-Center, RH
9	3296-59	4	Nut-Lock, NI
10	86-1890	4	Hinge
11	86-1920	2	Spring-Torsion
12	32128-20	8	Nut-HF
13	323-15	4	Screw-HH
14	86-2660	1	Stop-Cover
15	32144-70	2	Screw-HWHTF
16	86-1880	1	Cover-Center, LH
17	86-1850	1	Cover-Deck, LH
18	3256-67	8	Washer-Flat
19	2412-138	1	R-Clamp



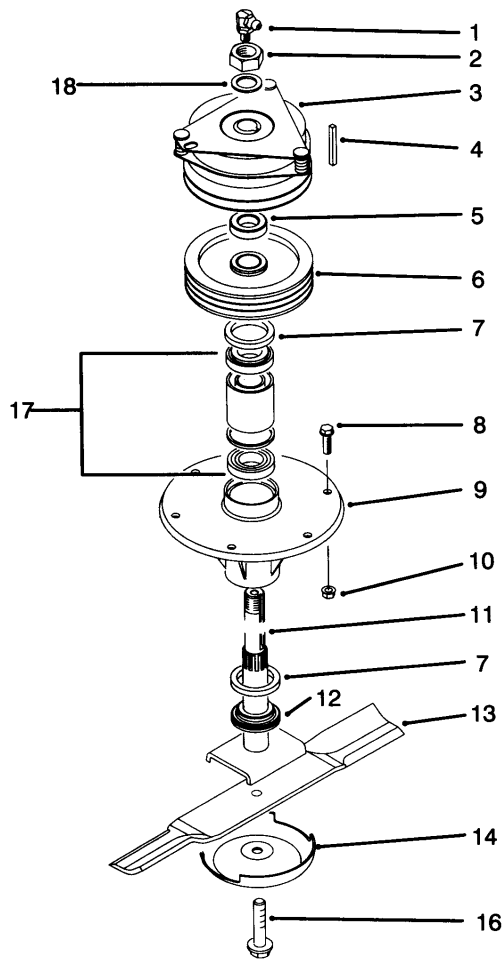
Spindle Assembly (wings)

<i>Ref.</i>	<i>Part Number</i>	<i>Qty.</i>	<i>Description</i>
1	302-2	1	Fitting-Grease
2	3296-49	1	Nut-Lock, NI
3	86-1480	1	Washer
4	86-1700	1	Pulley
5	253-154	2	Seal-Oil
6	3234-11	6	Screw-HHF
7	69-1530	1	Housing-Spindle
8	3290-357	6	Nut-HHF, Whiz
9	86-2340	1	Shaft-Spindle
10	92-9800	1	Spacer-Shaft, Spindle
11	86-0010	1	Blade
12	72-9361	1	Cup-Scalp, Anti
14	92-5816	1	Bolt-Blade
15	71-2530	1	Bearing/Spacer Kit



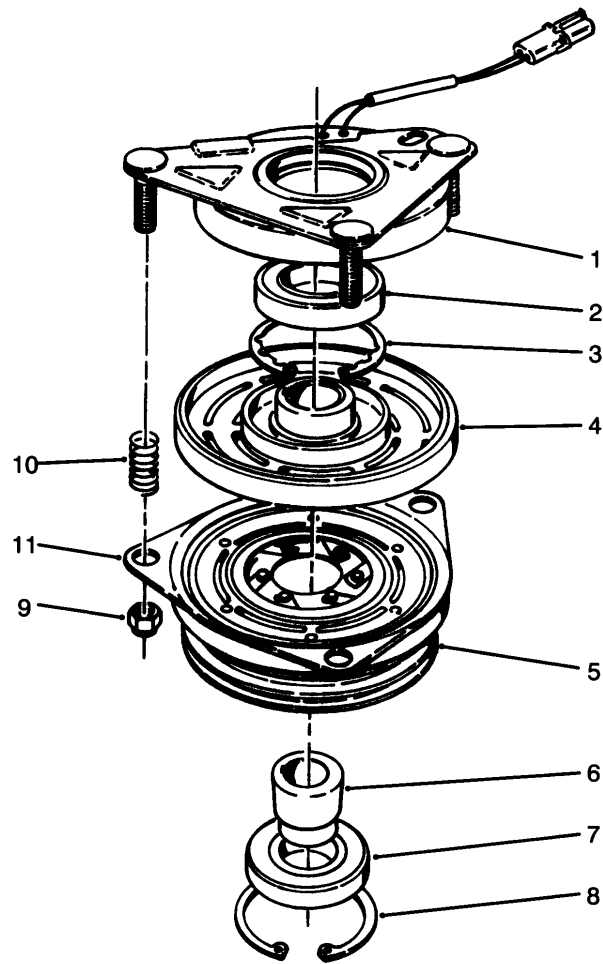
Spindle Assembly (center)

<i>Ref.</i>	<i>Part Number</i>	<i>Qty.</i>	<i>Description</i>
1	302-2	1	Fitting-Grease
2	3296-49	1	Nut-Lock, NI
3	86-1480	1	Washer
4	84-0780	1	Pulley-Spindle
5	253-154	2	Seal-Oil
6	3234-11	6	Screw-HHF
7	69-1530	1	Housing-Spindle
8	3290-357	6	Nut-HHF, Whiz
9	86-2340	1	Shaft-Spindle
10	92-9800	1	Spacer-Shaft, Spindle
11	86-0010	1	Blade
12	72-9361	1	Cup-Scalp, Anti
14	92-5816	1	Bolt-Blade
15	71-2530	1	Bearing/Spacer Kit



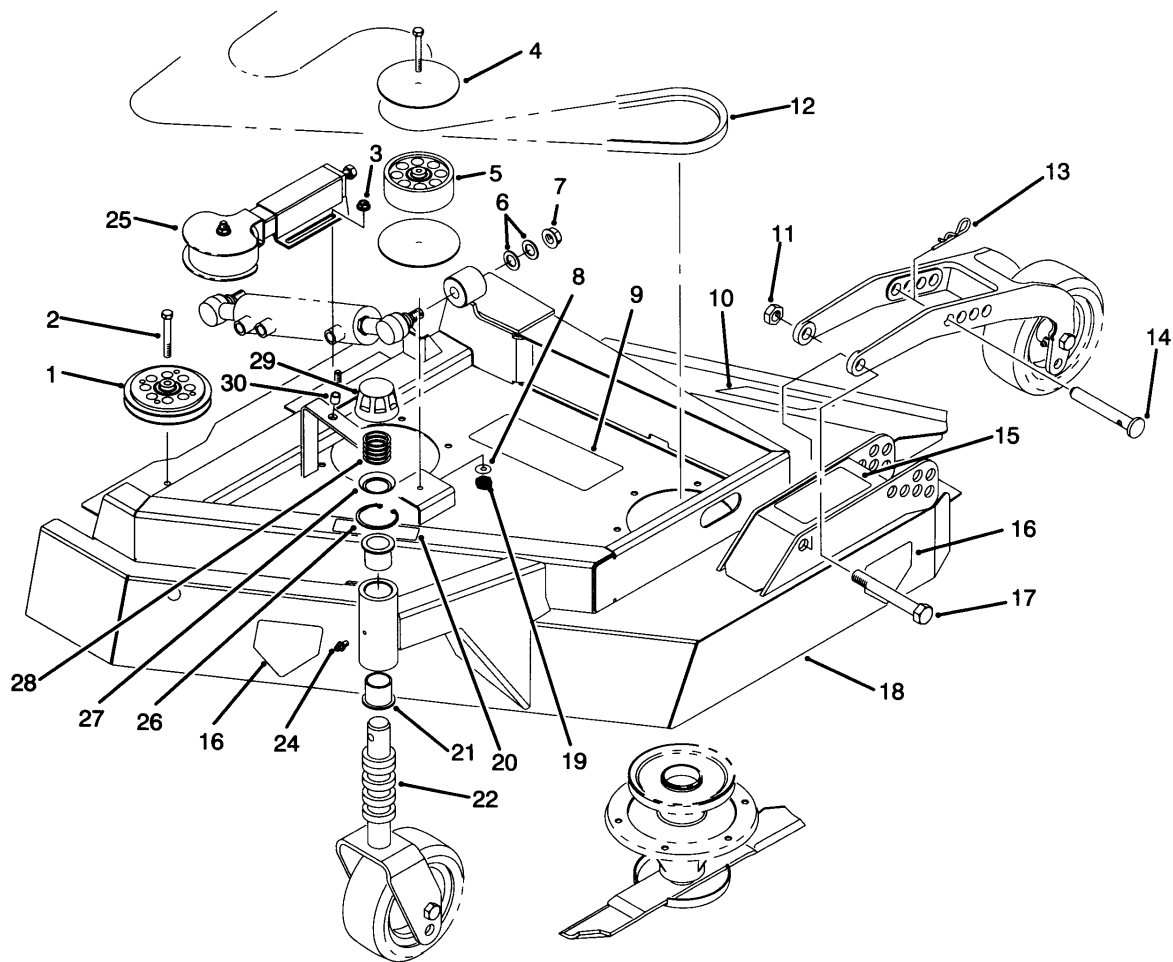
Spindle Assembly (clutch)

<i>Ref.</i>	<i>Part Number</i>	<i>Qty.</i>	<i>Description</i>
1	302-33	1	Fitting-Grease
2	3296-49	1	Nut-Lock, NI
3	86-1710	1	Brake-Clutch, Electric
4	68-3220	1	Key-Stock
5	86-1740	1	Spacer
6	84-0780	1	Pulley-Spindle
7	253-154	2	Seal-Oil
8	3234-11	6	Screw-HHF
9	69-1530	1	Housing-Spindle
10	3290-357	6	Nut-HHF, Whiz
11	86-2360	1	Shaft-Spindle
12	92-9800	1	Spacer-Shaft, Spindle
13	86-0010	1	Blade
14	72-9361	1	Cup-Scalp, Anti
16	92-5816	1	Bolt-Blade
17	71-2530	1	Bearing/Spacer Kit
18	86-1480	1	Washer



Clutch Assembly No. 86-1710

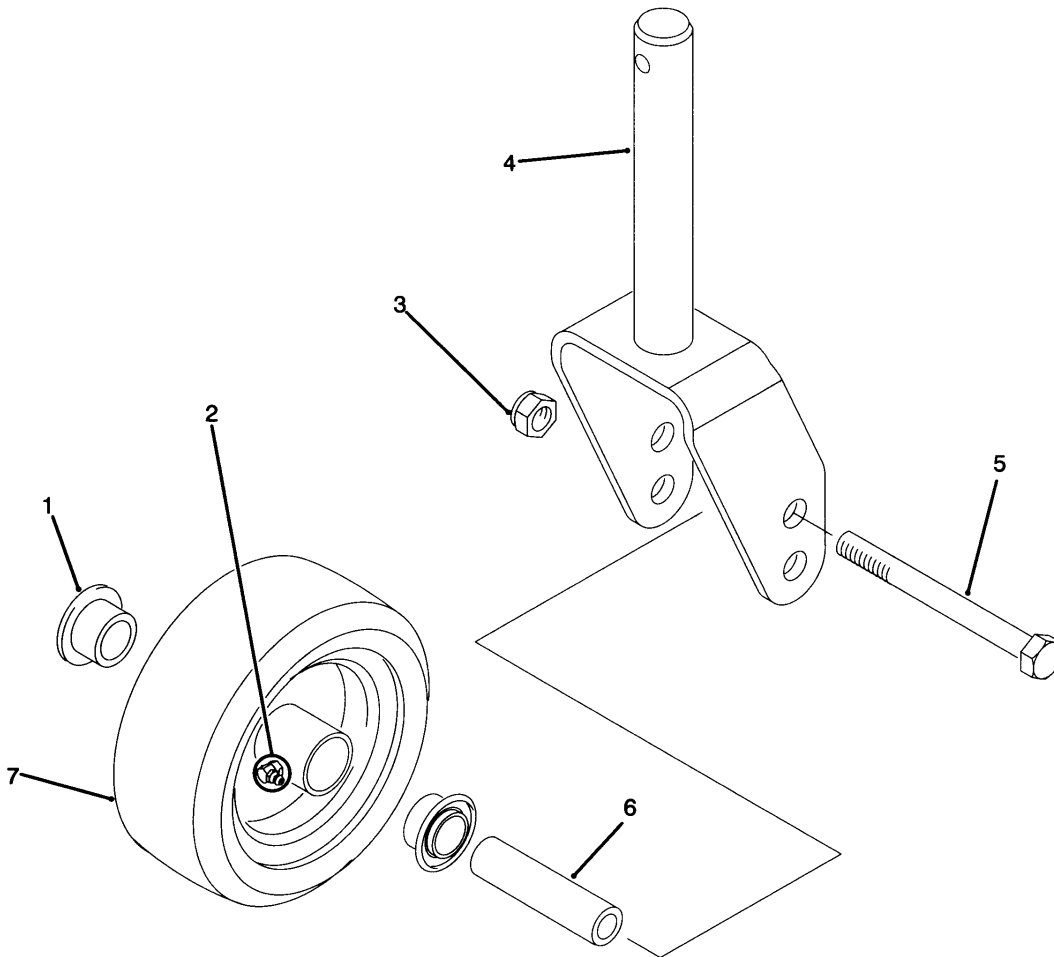
<i>Ref.</i>	<i>Part Number</i>	<i>Qty.</i>	<i>Description</i>
1	67-7050	1	Field Rotor Assembly (Incl. Ref. #2-4)
2		1	Bearing-Field
4		1	Field Coil Assembly
5	92-0627	1	Armature & Pulley Assy. (Incl. Ref. #6-8)
6	67-7080	1	Sleeve-Bearing, Armature
7	67-7090	1	Bearing-Armature
8	67-7060	1	Ring-Retaining
9	3296-6	3	Nut-Lock
10	44-8320	3	Spring
11	67-7100	1	Plate-Brake



Wing Deck Assembly-L.h.

Ref.	Part Number	Qty.	Description	Ref.	Part Number	Qty.	Description
1	92-9722	2	V-Pulley ASM	17	3216-6	1	Screw-HH
2	323-13	2	Screw-HH	18	92-7756	1	Deck-Wing, LH (Incl. Ref. #9, 10, 15, 16, 20, 21 & 30)
3	32128-19	2	Nut-HF	19	3296-39	1	Nut-Lock, NI
4	86-2600	2	Belt Guide Washer *r	20	85-6410	1	Decal-Danger
5	92-0625	1	Flat Pulley ASM	21	69-6470	2	Bushing-Caster
6	86-1440	2	Washer-Flat	22	69-1510	5	Spacer-Caster
7	32128-54	1	Nut-HF	24	302-5	1	Fitting-Grease
8	53-6380	1	Washer-Flat	25		1	Adjuster-Wing Deck
9	86-0750	1	Decal-Belt, LH	26	92-5581	1	Ring-Retaining
10	66-1340	1	Decal-Danger, Thrown Object	27	92-5583	1	Washer-Cap
11	3296-15	1	Nut-Lock, NI	28	92-9726	1	Spring-Compression
12	86-1960	1	V-Belt	29	92-8861	1	Cap-HOC
13	3290-256	1	Pin-Hair	30	32148-10	1	Insert-Nut
14	86-2010	1	Pin-HOC		92-9727	1	Assembly-Cap, H.O.C. (Incl. Ref. #26-29) ●
15	86-0710	1	Decal-HOC, LH Wing				
16	43-8480	2	Decal-Danger				

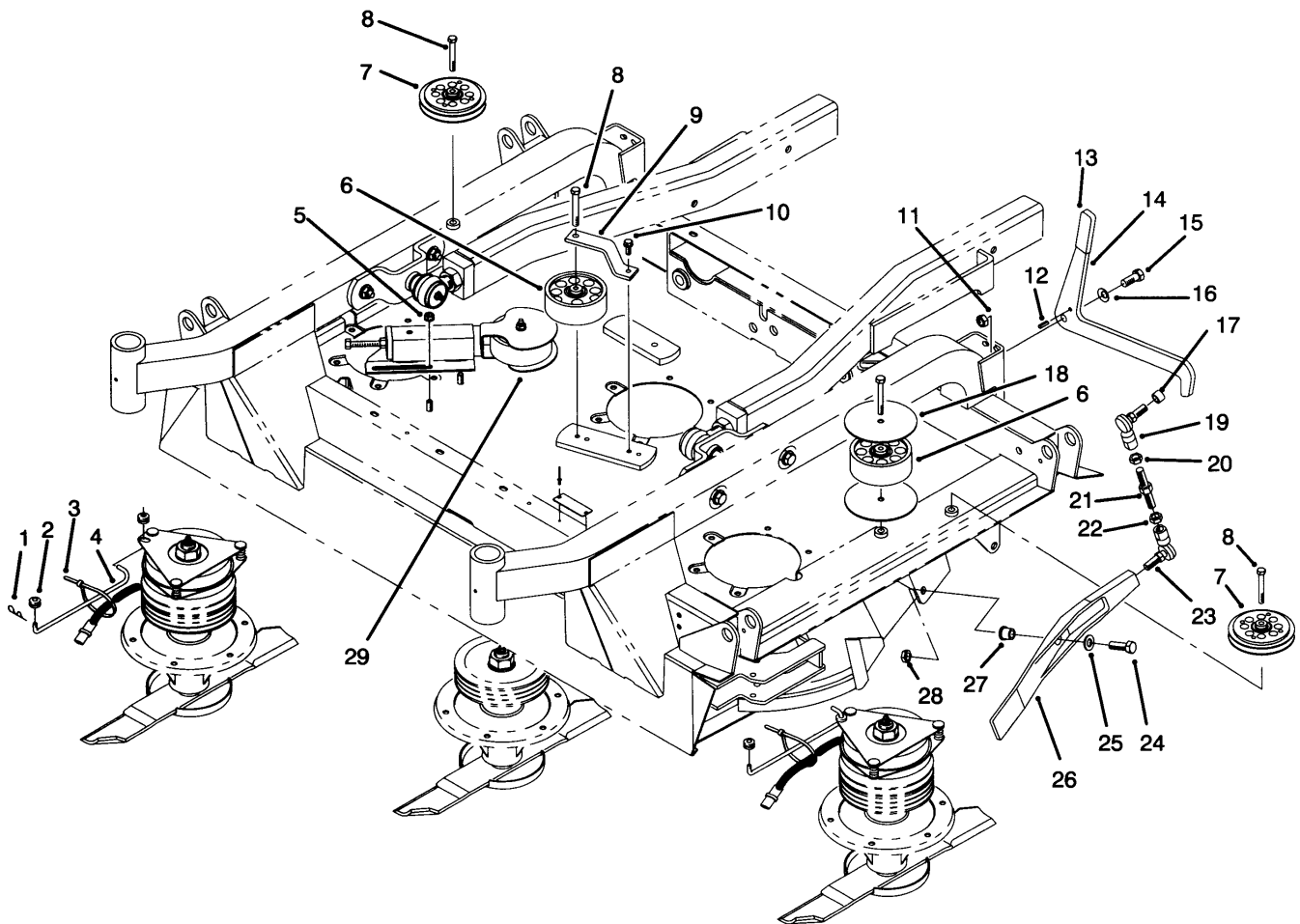
● Not Illustrated.



Front Castor Fork Assembly

<i>Ref.</i>	<i>Part Number</i>	<i>Qty.</i>	<i>Description</i>
1	251-321	4	Bearing-Ball, Flanged
2	302-40	2	Fitting-Grease
3	3296-53	2	Nut-Lock, NI
4	92-7750	2	Fork (Used On Wing Units)
	92-7752	2	Fork (Used On Center Unit) ●
5	327-24	2	Screw-HH
6	251-332	2	Spacer-Inner
7	86-0020	2	Wheel-8" (Used On Wing Units)(Incl. Ref. #1, 2 & 6)
	92-1654	2	Wheel-10" (Used On Center Unit)(Incl. Ref. #1, 2 & 6) ●
	76-1880	2	Segmented 10" Wheel Opt. (Incl. Ref. #1, 2, & 6) ●

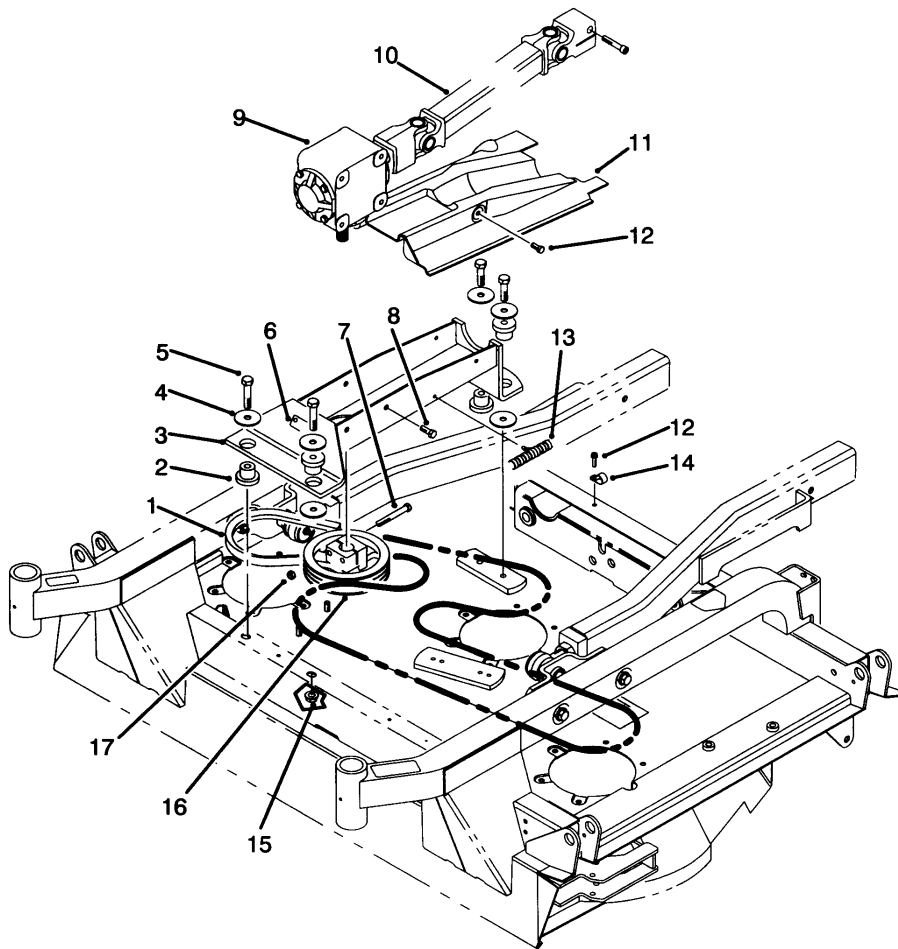
● Not Illustrated.



Center Deck Pulley Assemblies

Ref.	Part Number	Qty.	Description
1	3290-467	2	Pin-Hair
2	237-141	4	Grommet-Rubber
3	3290-378	2	Tie-Cable
4	86-2590	2	Rod-Clutch
5	32128-19	2	Nut-HF
6	92-0625	2	Flat Pulley ASM
7	92-9722	2	V-Pulley ASM
8	323-13	4	Screw-HH
9	86-1820	1	Bracket-Pulley
10	32144-70	1	Screw-HWHTF
11	3296-25	2	Nut-Lock, NI
12	32121-11	2	Pin-Roll
13	48-7081	2	Grip-Plastic
14	86-2400	2	Latch-Arm
15	325-5	2	Screw-HH

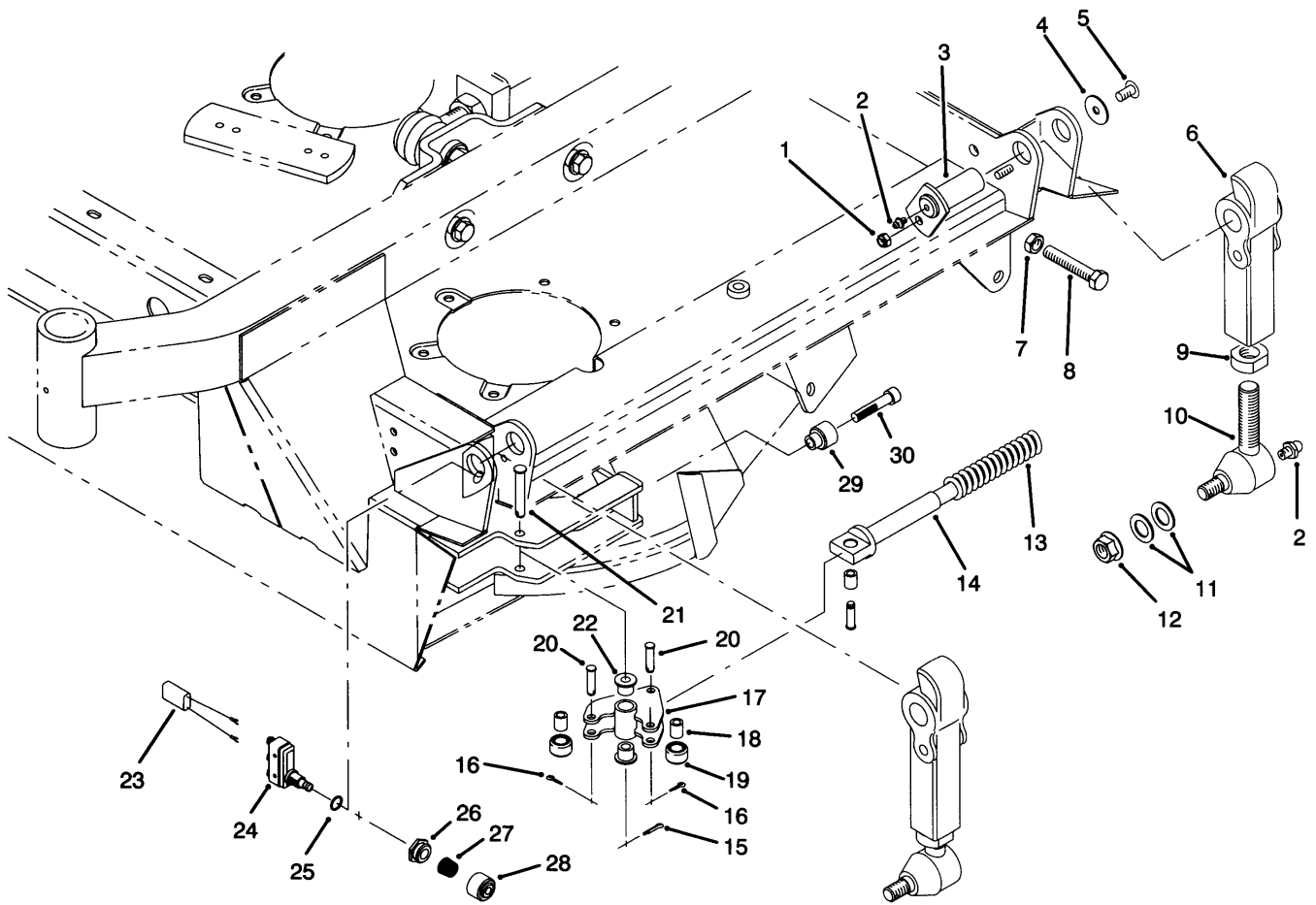
Ref.	Part Number	Qty.	Description
16	3290-483	2	Washer-Conical
17	86-1560	2	Spacer-Cylinder, Lift
18	86-2600	2	Belt Guide Washer *r
19	86-1490	2	End-Rod, LH Thread
20	3220-12	2	Nut-HJ (LH Thread)
21	86-1570	2	Rod-Threaded
22	3220-5	2	Nut-Jam
23	86-1550	2	End-Rod, RH Thread
24	325-7	2	Screw-HH
25	3256-26	2	Washer-Flat
26	92-4033	2	Door Trap
27	256-243	2	Bearing-Flange
28	3296-45	2	Nut-Lock, NI
29		1	Adjuster-Center Deck



Gear Shaft Mount and Drive Shaft Assembly

Ref.	Part Number	Qty.	Description
1	86-1970	1	V-Belt
2	84-1550	4	Mount-Rubber
3	86-2020	1	Support-Gear Box
4	86-1990	6	Washer
5	325-9	4	Screw-HH
6	70-2560	1	Decal-Oil
7	323-14	2	Screw-HH
8	3234-1	4	Screw-HHF
9	86-3090	1	Gear Box
10	86-1730	1	Driveshaft
11	86-1830	1	Cover-Driveshaft
12	32144-70	3	Screw-HWHTF
13	86-1910	1	Wire Harness-Deck
14	2412-138	1	R-Clamp
15	32128-23	4	Nut-HF
16	86-1410	1	Pulley-Gearbox 6,50 Dia.
	86-3100	1	Pulley-Gearbox 7.50 Dia. (Optional) ●
17	3296-39	2	Nut-Lock, NI

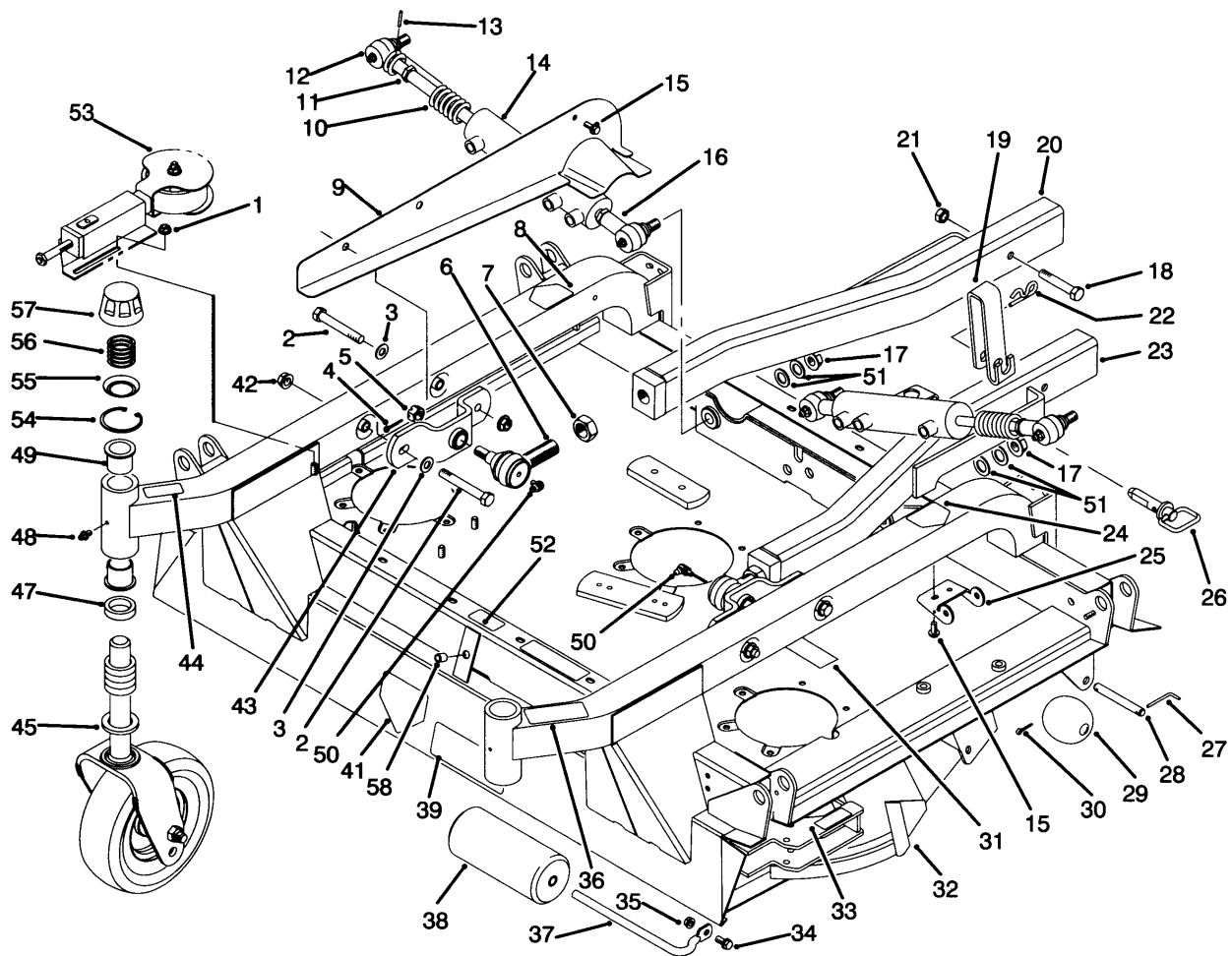
● Not illustrated



Pivot Arm Assembly

Ref.	Part Number	Qty.	Description	Ref.	Part Number	Qty.	Description
1	3296-29	2	Nut-Lock, NI	17	86-2150	2	Lock
2	302-5	8	Fitting-Grease	18	86-2090	6	Bushing
3	84-1350	2	Pin-Pivot	19	86-2120	4	Roller-Lock
4	53-6380	4	Washer-Flat	20	283-61	6	Pin-Yoke
5	323-4	4	Screw-HH	21	86-2130	2	Pin-Clevis
6	84-0800	4	Arm-Pivot	22	86-2180	4	Bushing-Flange
7	3218-18	2	Nut-Jam	23	72-3790	2	Neutral Switch Wire
8	60-9870	2	Screw-HH	24	86-2680	2	Micro Switch
9	86-2070	4	Nut		86-2681	1	Switch Hardware Packet (Incl. Ref. #25-28) ●
10	86-2080	4	Ball Joint (Incl. Ref. #2)	25		2	Washer
11	86-1440	8	Washer-Flat	26		2	Nut
12	32128-54	8	Nut-HF	28		2	Boot
13	86-2560	2	Spring-Comp	29	92-4036	2	Cap-Rod
14	86-2650	2	Spring-Support	30	92-4037	2	Capscrew-HSH
15	3272-9	2	Pin-Cotter				
16	3272-5	6	Pin-Cotter				

● Not Illustrated.

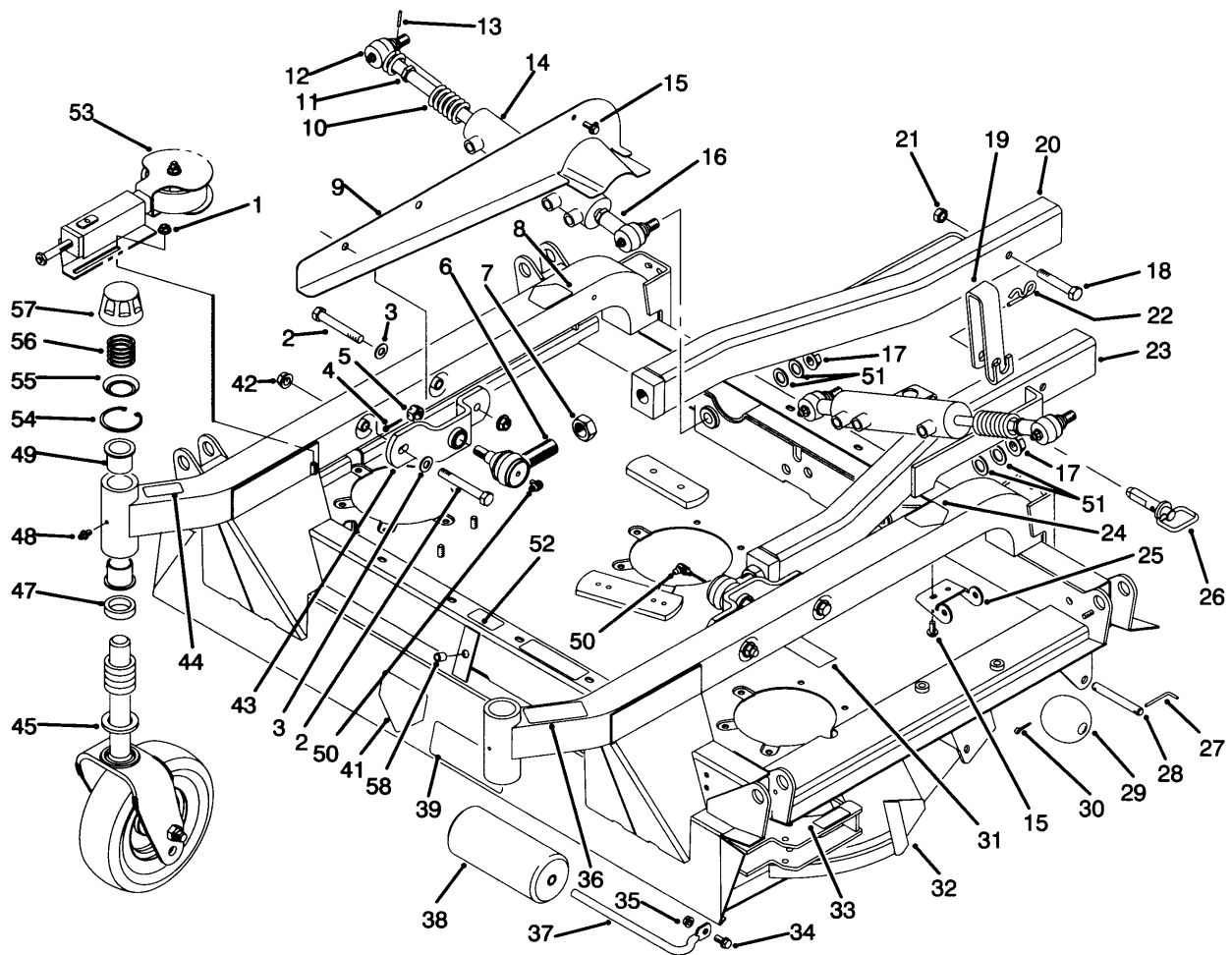


Center Deck and Carrier Frame Assembly

Ref.	Part Number	Qty.	Description	Ref.	Part Number	Qty.	Description
1	32128-19	2	Nut-HF	26	86-2390	2	Pin
2	325-35	4	Screw-HH	27	57-0690	2	Pin-Special
3	3256-26	4	Washer-Flat	28	57-0680	2	Shaft-Roller
4	3272-12	2	Pin-Cotter	29	29-4820	2	Roller
5	32136-2	2	Nut-SHH	30	3272-11	2	Pin-Cotter
6	86-8100	2	Joint-Ball	31	86-0740	1	Decal-Belt, Center
7	21-3000	2	Nut-HJ	32	92-7757	1	Deck W.A.-Center (Incl. Ref. #8, 24, 31, 33, 36, 39, 41, 44, 49 & 58)
8	86-0730	1	Decal-HOC, RH Center	33	55-4300	2	Decal-Warning
9	86-2230	1	Cover-Guide, RH	34	3234-1	1	Screw-HHF
	86-2260	1	Cover-Guide, LH ●	35	32128-21	1	Nut-HF
10	86-2510	2	Spring	36	86-0780	1	Decal-HOC
11	84-5300	4	Nut-Jam	37	68-6840	1	Shaft-Roller
12	92-5810	2	Ball Joint	38	68-6710	1	Roller
13	32121-51	2	Pin-Roll	39	68-8340	1	Decal-Torque
14	86-2190	2	Cylinder-Lift, Wing	41	43-8480	1	Decal-Danger
15	32144-41	12	Screw-Taptite	42	32128-23	2	Nut-HF
16	92-5811	2	Ball Joint	43	69-7290	2	Mount-Carrier
17	32128-54	2	Nut-HF	44		1	Decal-Safety Std. ■
18	325-11	2	Screw-HH	45	77-0950	2	Washer-Castor
19	86-2380	2	Deck HOC Strap *r	47	69-1510	10	Spacer-Caster
20	86-2280	1	Frame-Carrier, RH	48	302-5	2	Fitting-Grease
21	3296-23	2	Nut-Lock, NI	49	69-6470	4	Bushing-Caster
22	3290-256	2	Pin-Hair	50	302-60	2	Fitting-Grease
23	86-2320	1	Frame-Carrier, LH	51	86-1440	4	Washer-Flat
24	86-0720	1	Decal-HOC, LH Center				
25	86-1890	4	Hinge				

● Not illustrated

■ Not serviced separately

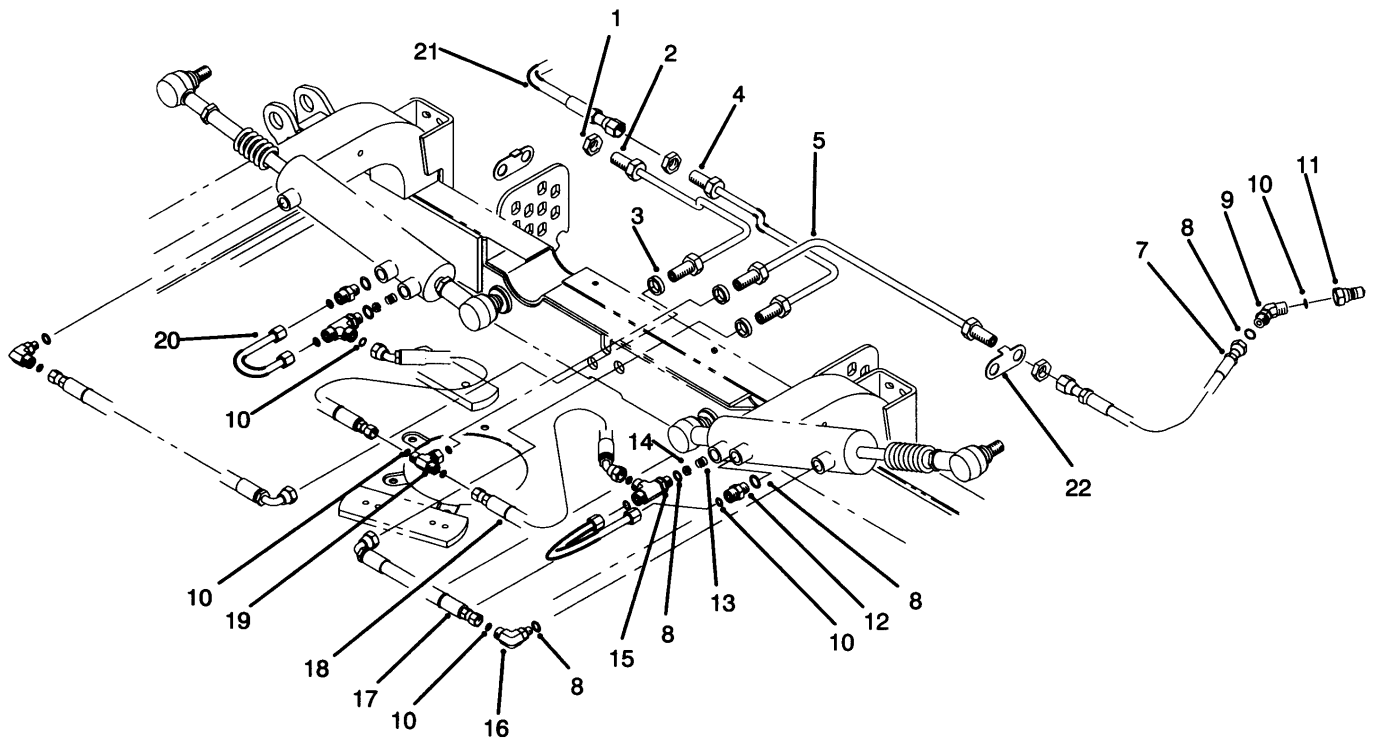


Center Deck and Carrier Frame Assembly (continued)

Ref.	Part Number	Qty.	Description	Ref.	Part Number	Qty.	Description
52	85-6410	1	Decal-Danger	57	92-8861	2	Cap-HOC
53		1	Adjuster-Wing Deck ■	58	32148-10	1	Insert-Nut
54	92-5581	2	Ring-Retaining		92-9727	2	Assembly-Cap, H.O.C. (Incl. Ref. #54-57) ●
55	92-5583	2	Washer-Cap				
56	92-9726	2	Spring-Compression				

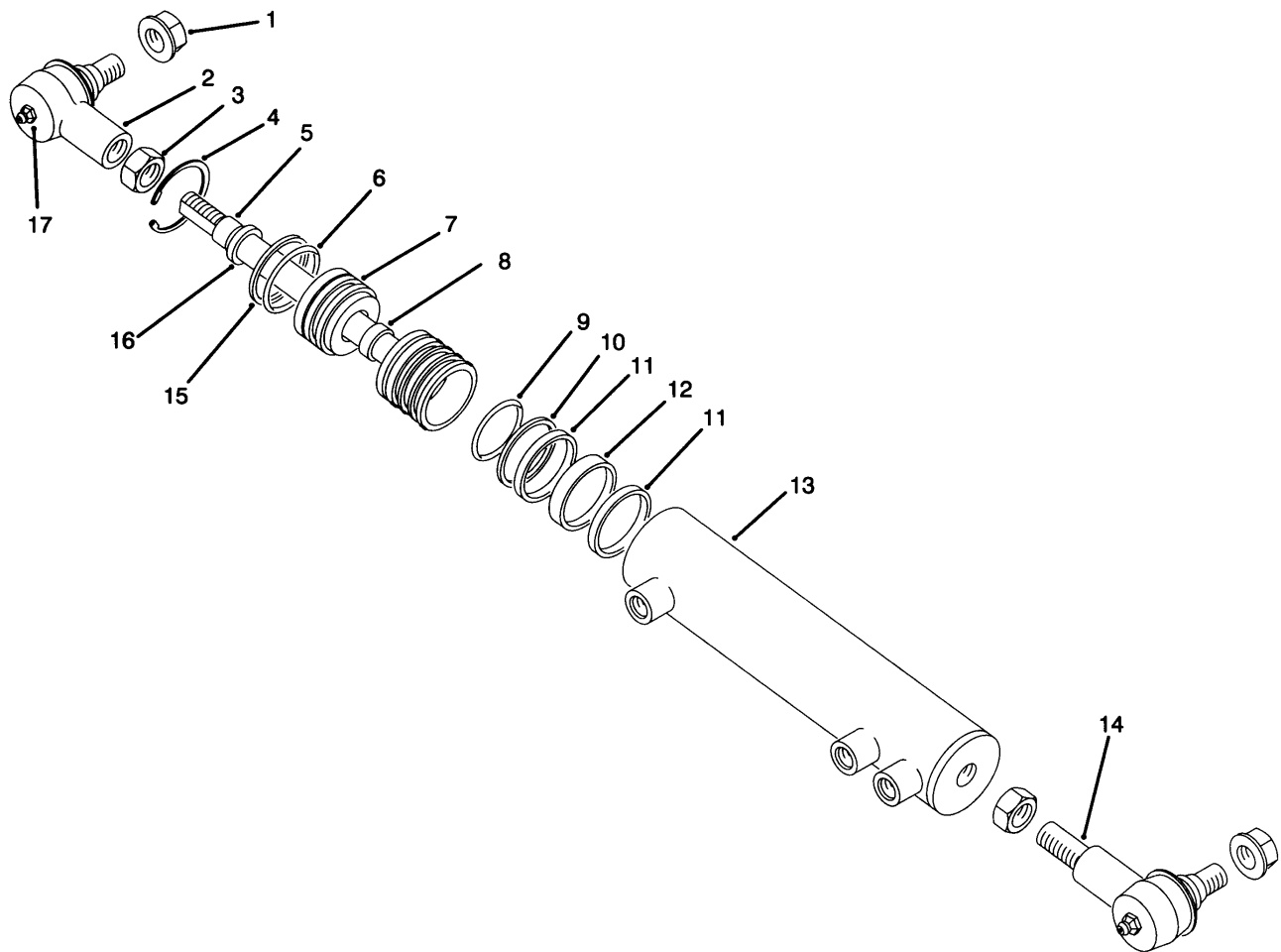
● Not illustrated

■ Not serviced separately



Hydraulic Hose Assembly

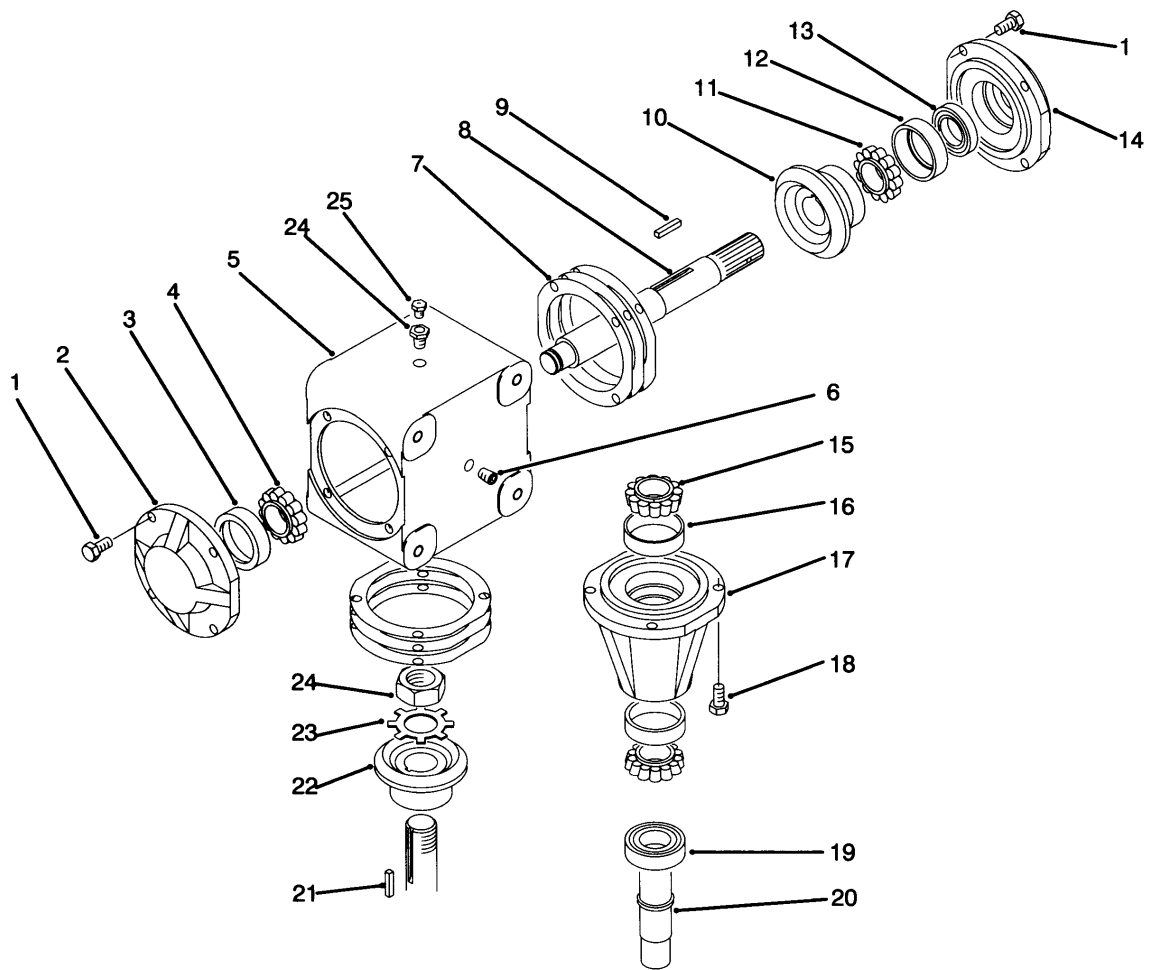
<i>Ref.</i>	<i>Part Number</i>	<i>Qty.</i>	<i>Description</i>
1	340-70	6	Nut-Lock
2	86-2480	1	RH Cylinder Tube ASM
3	86-0690	3	Spacer
4	86-2490	1	LH Cylinder Tube ASM
5	86-2470	1	Cylinder Drain Tube ASM
7	86-2460	2	Hose ASM
8	237-42	14	O-Ring
9	340-87	3	Fitting-HYD, 45 DEG
10	237-22	9	O-Ring
11	86-5460	3	Nipple-Coupler
12	340-2	2	Fitting-HYD, Straight
13	86-2630	2	Spring-Compression
14	84-6403	2	Disc-Orifice
15	340-86	2	Fitting-Tee
16	340-77	2	Fitting-HYD, 90 DEG
17	86-2440	2	Hose ASM
18	86-2450	2	Hose ASM
19	340-166	1	Fitting-Tee, HYD
20	86-2640	2	Deck Cylinder Tube ASM
21	86-1420	1	LH Lift Hose ASM
22	92-5807	2	Retainer-Hardlines



Hydraulic Cylinder Assembly No. 86-2190

Ref.	Part Number	Qty.	Description
1	32128-54	2	Nut-HF
2	92-5810	1	Ball Joint
3	84-5300	2	Nut-Jam
5	92-0603	1	Rod/Piston
7	92-0604	1	Head-Ring, Snap
8		1	Cup-U
10		1	Ring-Piston
11		2	Ring-Wear
12		1	Ring-Wear
13	92-0602	1	Barrel ASM
14	92-5811	1	Ball Joint
15		1	Back-Up
16		1	Wiper
17	302-5	2	Fitting-Grease
	86-2190	1	Cylinder Assembly (Incl. Ref. 4-13 & 15-16) ●
	92-0600	1	Kit-Seal (Incl. Ref. #4, 6, 8-12, 15 & 16) ●

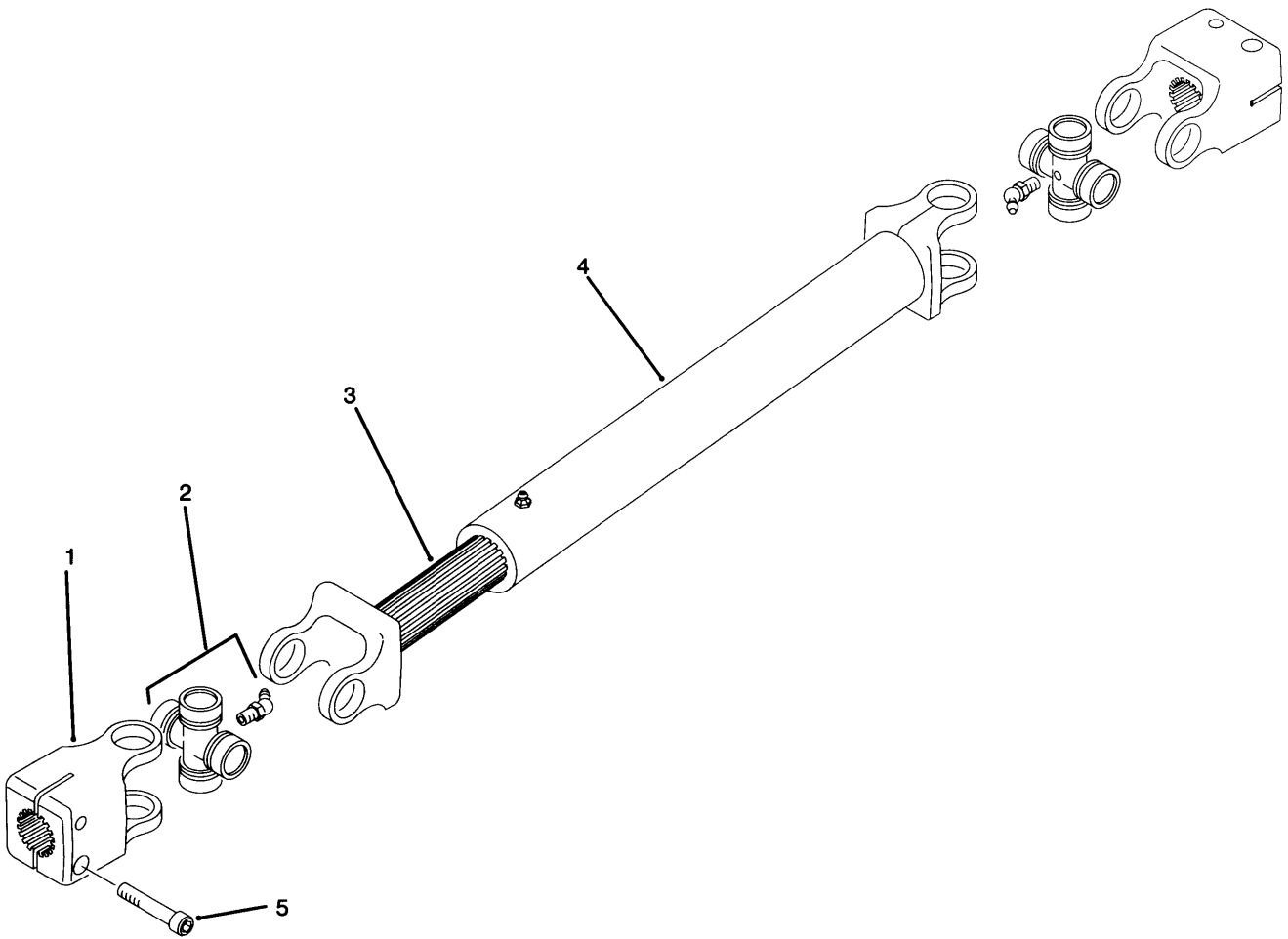
● Not Illustrated.



Gear Box Assembly 86-3090

<i>Ref.</i>	<i>Part Number</i>	<i>Qty.</i>	<i>Description</i>	<i>Ref.</i>	<i>Part Number</i>	<i>Qty.</i>	<i>Description</i>
1	62-3310	12	Screw-HH (Obs, C/R To 3234-5)	12	92-0611	1	Cup-Bearing
2	62-3320	1	Cap	13	92-0609	1	Seal
3	62-3340	1	Cup	14	92-0608	1	Cap-Thru
4	254-94	1	Bearing-Cone, Tapered	15	92-0616	2	Cone-Bearing
5	92-0605	1	Housing	16	92-0617	2	Cup-Bearing
6	62-3490	2	Plug (Obs, C/R To 281-10)	17	92-0618	1	Hub
7	21-6180	0	Gasket-.015	18	92-0615	1	Seal
	62-3430	0	Gasket ●	19	92-0614	1	Shaft-Pinion
	62-3440	0	Gasket ●	20	62-3380	1	Key
8	92-0620	1	Shaft-Thru	21	92-0619	1	Gear-LH
9	92-0606	1	See Sb Gen#14-01	22	92-0613	1	Washer-Lock
10	92-0607	1	Gear-RH	23	92-0612	1	Nut-Lock
11	92-0610	1	Bearing Cone	24	62-3550	1	Bushing
				25	62-3520	1	Valve

● Not Illustrated.



Drive Shaft Assembly 86-1730

<i>Ref.</i>	<i>Part Number</i>	<i>Qty.</i>	<i>Description</i>
1	86-1150	2	Yoke-End
2	86-1160	2	Kit-Joint, Universal
3	86-1170	1	Shaft-Yoke, Slip
4	86-1180	1	Tube-Yoke, Slip
5	3273-17	4	Screw-HSH

Notes:

Notes:



Count on it.