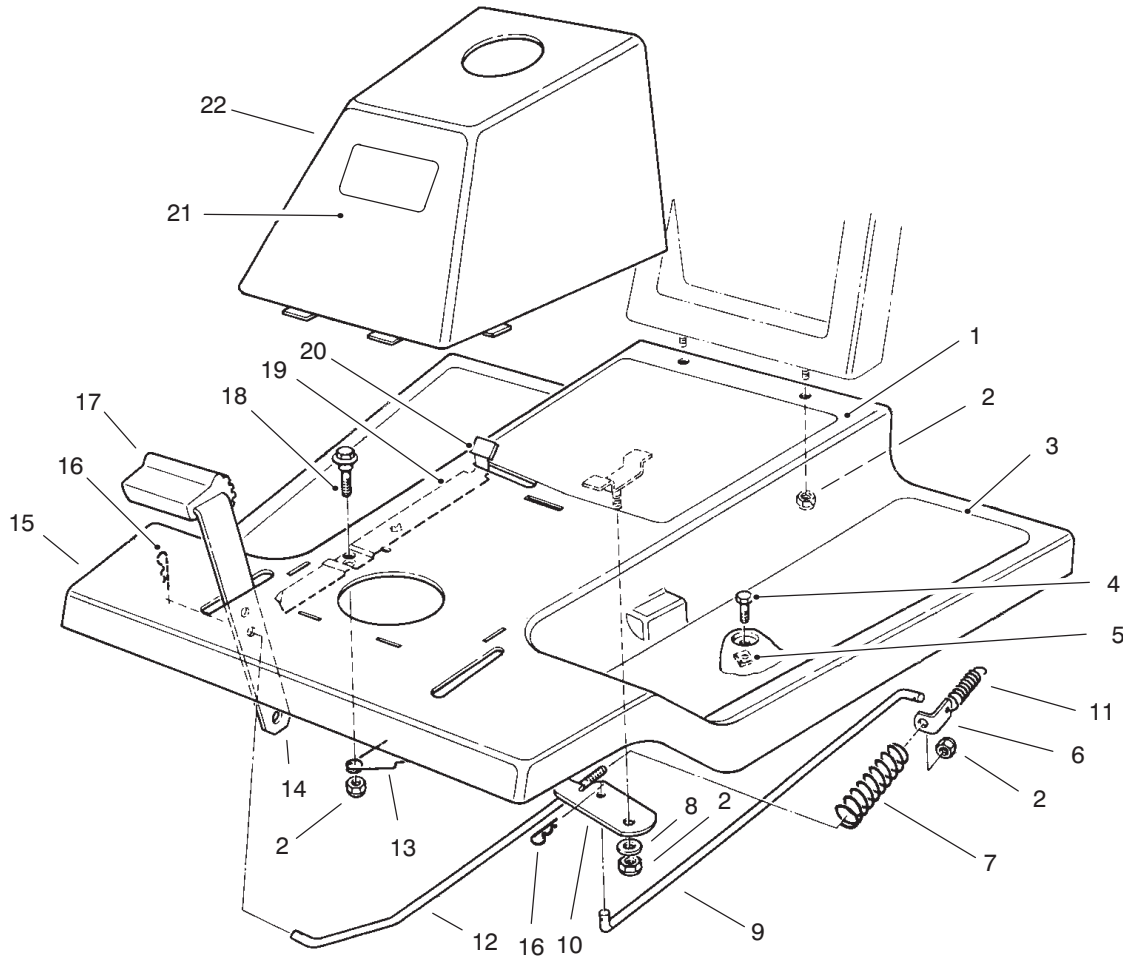




<p>MODEL NO. 70040-6900001 thru 7900578</p>	<p>PARTS CATALOG</p>
<p>WHEEL HORSE® 825 Recycler® Riding Mower</p>	

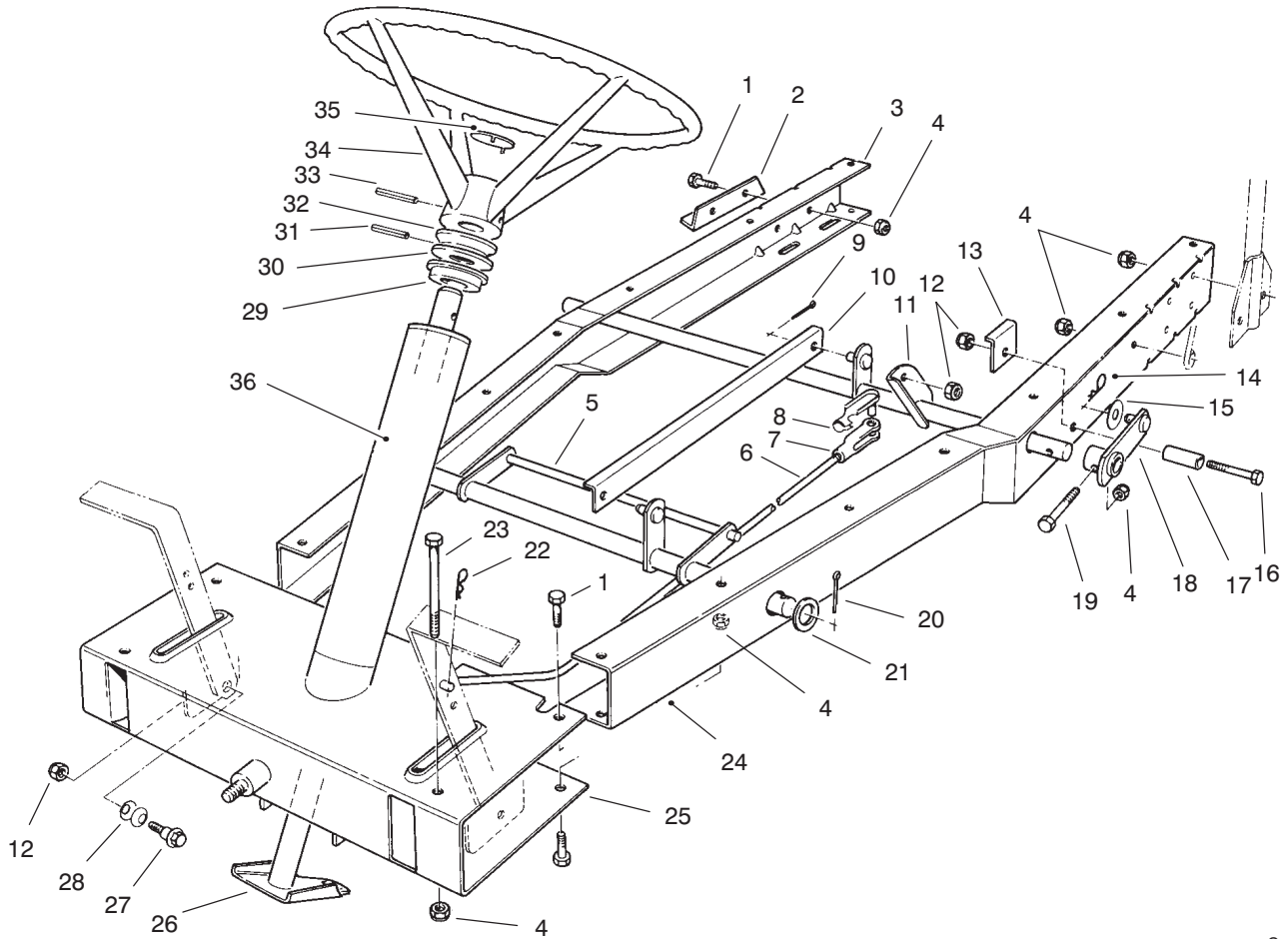


C-1940

FRONT BODY ASSEMBLY

Ref. No.	Part No.	Description	No. Used
1	93-9499	Decal - Instruction	1
2	3296-29	Nut - Lock	5
3	44-7030	Tread - Foot Rest	2
4	32104-110	Screw - Cap Hex. Hd.	4
5	3290-347	Nut - U-Type	4
6	67-1590	Bracket - Brake Return	1
7	67-1430	Spring - Compression	1
8	26-9530	Washer - Pivot	1
9	67-1340	Rod - Brake, Transmission	1
10	67-1330-03	Lever - Brake, Bellcrank	1
11	67-1450	Spring - Extension	1
12	67-1350	Rod - Front, Brake	1

Ref. No.	Part No.	Description	No. Used
13	19-1970	Spring - Brake, Parking	1
14	67-1130-03	Pedal - Brake & Clutch	2
15	67-1070-01	Body W.A. - Front	1
16	3290-250	Pin - Hair, Cotter	2
17	65-2920	Pad - Pedal	2
18	19-1470	Bolt - Shoulder	1
19	19-1610-03	Lever - Brake, Parking	1
20	19-2200	Tip - Brake, Parking	1
21	92-7981	Decal - Toro	1
22	55-7103	Tower (Incl. Ref. #21)	1



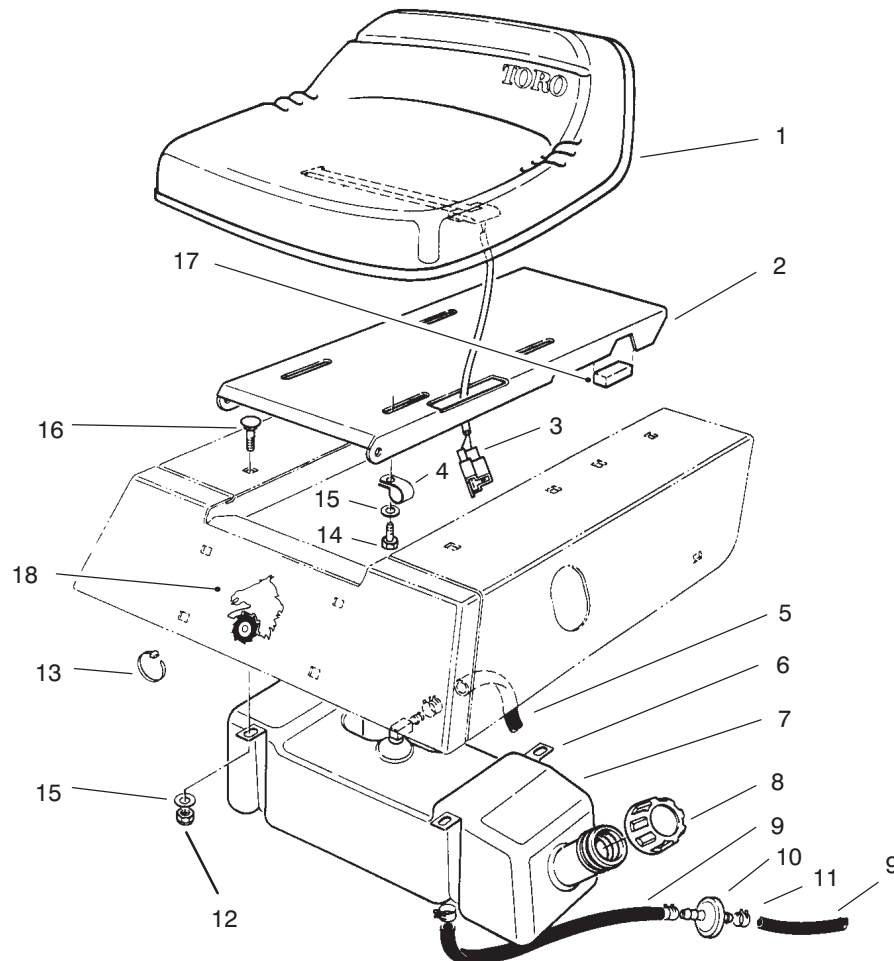
C-0005

FRAME ASSEMBLY

Ref. No.	Part No.	Description	No. Used
1	322-3	Screw - Cap Hex. Hd.	6
2	44-7140-01	Mount - Bearing, Axle	1
3	67-0520-01	Channel - R.H.	1
4	3296-29	Nut - Lock	16
5	67-0010-03	Lift W.A. - Front, Deck	1
6	67-0430	Rod - Clutch	1
7	282-27	Clevis	1
8	67-1530	Pin - Clevis	1
9	3272-6	Pin - Cotter	2
10	67-0090-03	Bracket - Link, H.O.C.	1
11	67-0050-01	Tube W.A. - Support, Rear	1
12	3296-39	Nut - Lock	5
13	67-1510-03	Brace - Stop, Deck	2
14	3290-355	Pin - Hair, Cotter	2
15	67-1460	Washer - Flat	2
16	323-10	Screw - Cap Hex. Hd.	2
17	68-8380	Spacer - Stop, Deck	2
18	67-0300-01	Lever W.A. - H.O.C.	2
19	46-2511	Bolt - Mounting, Axle	2

Ref. No.	Part No.	Description	No. Used
20	3272-23	Pin - Cotter	2
21	3256-29	Washer - Flat	2
22	3290-250	Pin - Hair, Cotter	1
23	322-14	Screw - Cap Hex. Hd.	2
24	67-0530-01	Channel - L.H.	1
25	67-0450-01	Frame W.A. - Front	1
26	67-0830-03	Shaft W.A. - Steering	1
27	67-0870	Bolt - Shoulder	2
28	3290-413	Washer - Belleville	4
29	67-0850	Bushing - Steering	2
30	67-0860	Washer - Steering	1
31	32121-32	Pin - Roll	1
32	67-0440	Spacer - Steering	1
33	32121-78	Pin - Roll	1
34	49-3242	Wheel - Steering	1
35	92-7990	Insert - Wheel, Steering	1
36	76-4080	Decal	1
*	13-6049	Kit - Loose parts	1

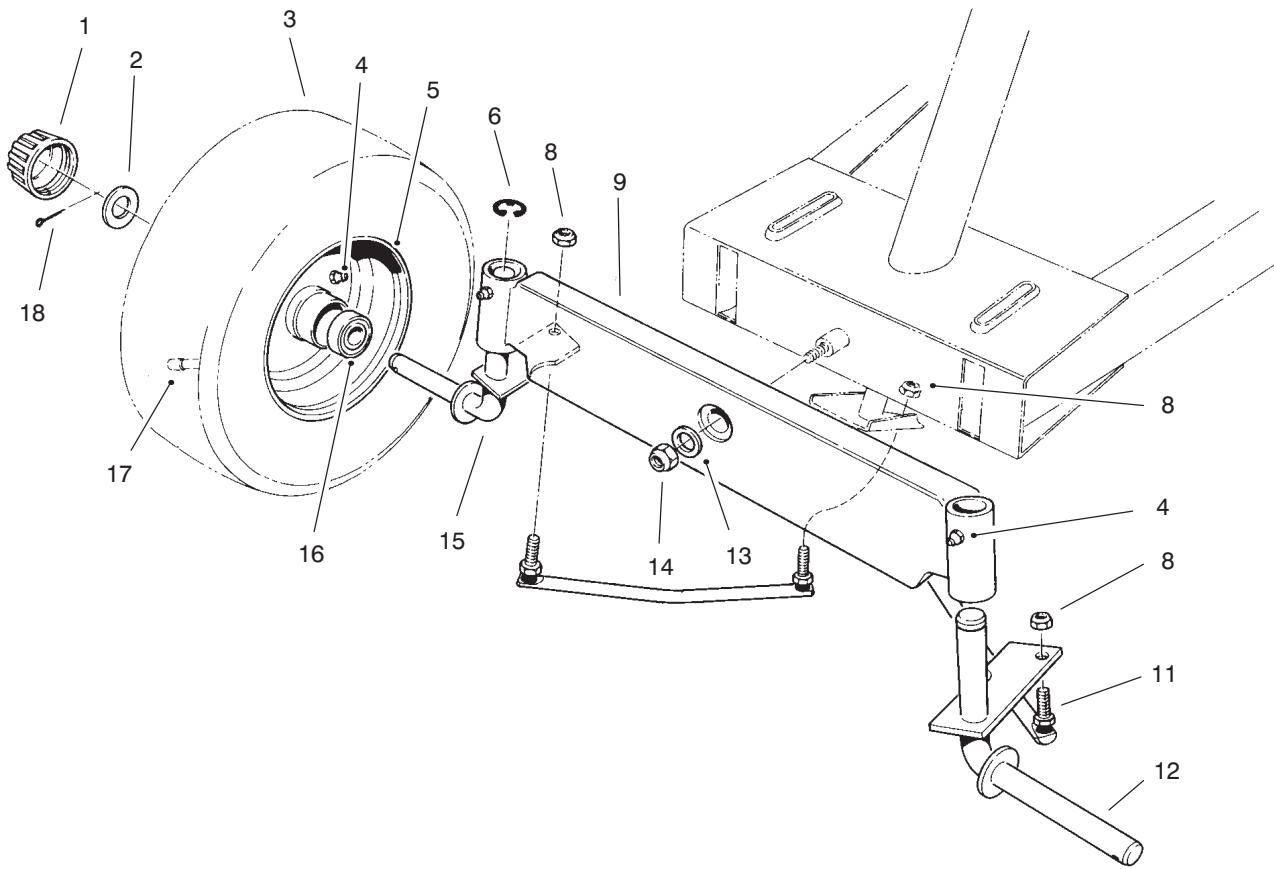
*Not Illustrated



C-1941

SEAT & GAS TANK ASSEMBLY

Ref. No.	Part No.	Description	No. Used	Ref. No.	Part No.	Description	No. Used
1	88-4330	Seat	1	10	56-6360	Filter	1
2	67-1242-01	Base - Seat	1	11	2412-98	Clamp - Hose	5
3	38-1420	Switch - Seat	1	12	3296-29	Nut - Lock	4
4	18-2970	R-Clamp	1	13	3290-378	Tie - Cable	1
5	47-2986	Hose - Gas	1	14	322-3	Screw - Cap Hex. Hd.	4
6	67-0950	Strap - Tank, Gas	2	15	3256-23	Washer - Flat	8
7	80-4580	Tank - Gas	1	16	3230-20	Bolt - Carriage	4
8	55-3576	Assembly - Cap, Gas	1	17	66-6920	Pad - Isolator	2
9	47-2964	Hose - Gas	2	18	92-7978	Decal - Horsehead	1



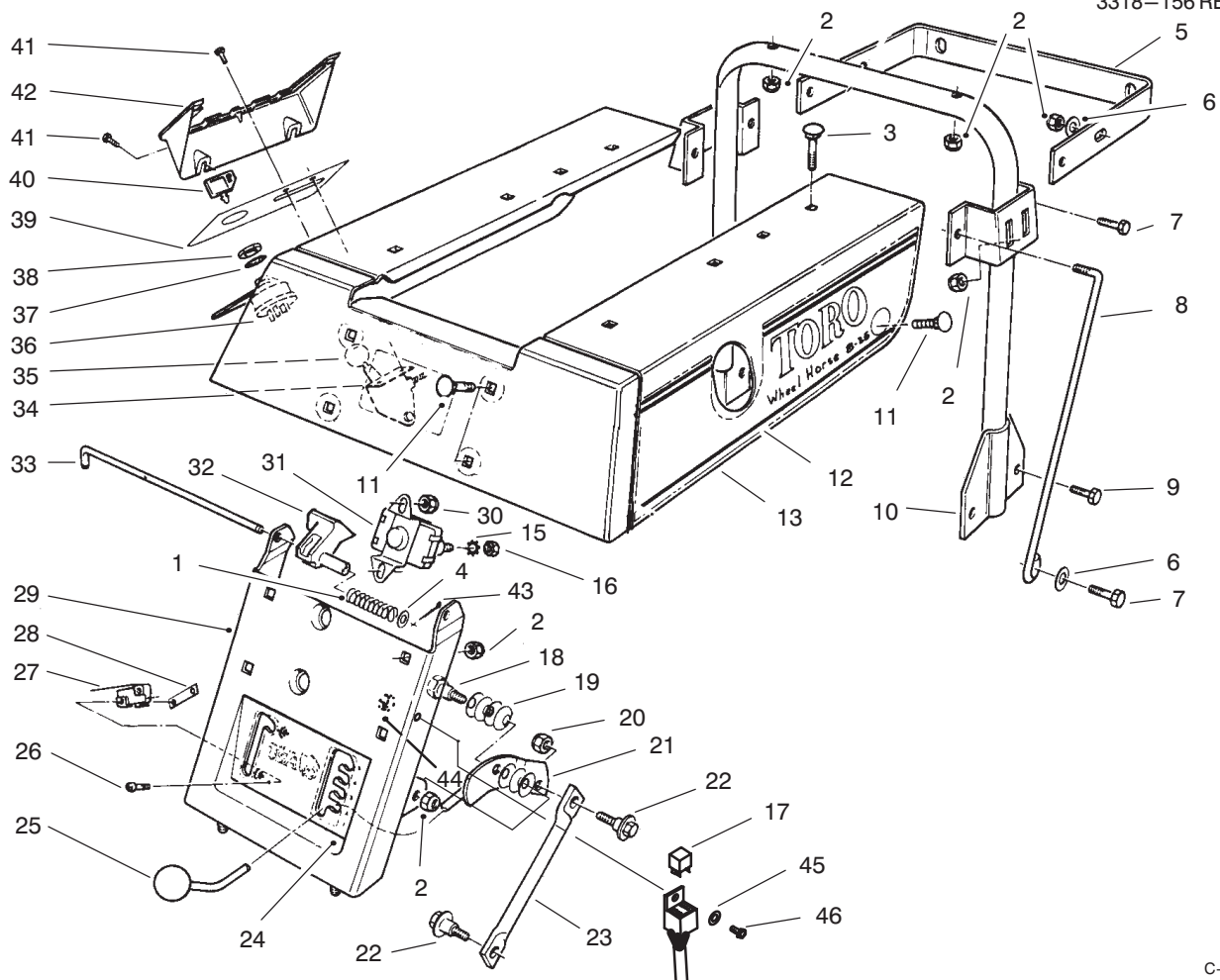
C-0003A

FRONT AXLE ASSEMBLY

Ref. No.	Part No.	Description	No. Used
1	61-9780	Cap - Hub	2
2	28-2480	Washer - Flat	2
3	231-116	Tire	2
4	302-5	Fitting - Grease	4
5	217-80	Rim	2
6	32151-48	Ring - Retaining	2
8	3296-4	Nut - Lock	4
9	67-0990	Axle - Front	1
11	67-0880	Assembly - Tie Rod	2

Ref. No.	Part No.	Description	No. Used
12	67-0810-01	Spindle - L.H.	1
13	3256-26	Washer - Flat	1
14	3296-25	Nut - Lock	1
15	67-0800-01	Spindle - R.H.	1
16	110513	Bearing	4
17	232-27	Valve Stem w/Cap	2
18	3272-12	Pin - Cotter	2
*	232-44	Tube - Inner	2

*Not Illustrated

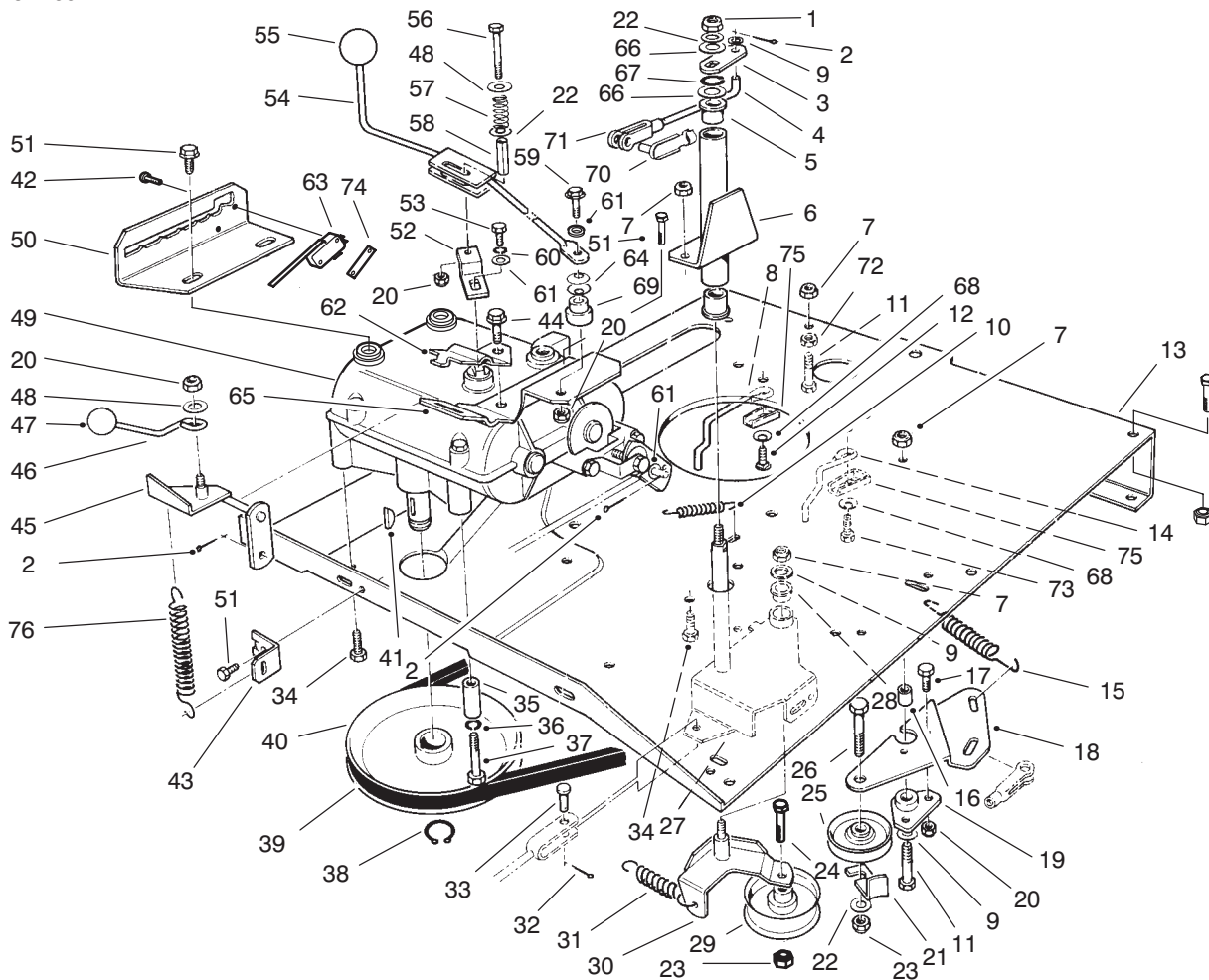


C-1942A

REAR BODY ASSEMBLY

Ref. No.	Part No.	Description	No. Used	Ref. No.	Part No.	Description	No. Used
1	71-8310	Spring - Prop, Seat	1	25	233-22	Knob	1
2	3296-29	Nut - Lock	13	26	147665	Screw - Pan Head	2
3	3230-3	Bolt - Carriage	2	27	88-9931	Switch - Micro	1
4	3256-22	Washer - Flat	1	28	3290-354	Nut - Double	1
5	67-1500-03	Bar - Stand	1	29	67-1090-01	Support W.A. - Seat	1
6	3256-23	Washer - Flat	2	30	3296-42	Nut - Lock	2
7	322-5	Screw - Cap Hex. Hd.	4	31	92-9845	Solenoid	1
8	67-1480	Brace - Support, Seat	2	32	80-4330	Prop - Seat	1
9	322-3	Screw - Cap Hex. Hd.	6	33	80-4550	Rod - Base, Seat	1
10	67-0790-03	Support W.A. - Seat	1	34	66-6640	Control - Throttle	1
11	3230-20	Bolt - Carriage	6	35	233-59	Knob	1
12	92-7979	Decal - Toro L.H.	1	36	88-9830	Switch - Ignition (Incl. Ref. #37 & 38)	1
*	92-7980	Decal - Toro R.H.	1	37	3254-5	Washer - Lock, Int. Tooth	1
13	67-0231-01	Body W.A. - Rear	1	38	218-461	Nut - Hex.	1
15	3253-3	Washer - Lock	2	39	67-1270	Decal - Panel, Control	1
16	3218-1	Nut - Jam	2	40	63-8360	Key	1
17	48-4700	Relay	1	41	32144-42	Screw - Hex. Hd. Tapping	4
18	28-0540	Bolt - Shoulder	1	42	67-1030	Cover - Panel, Control	1
19	3290-413	Washer - Belleville	7	43	3272-4	Pin - Cotter	1
20	3296-39	Nut - Lock	1	44	3296-2	Nut - Lock	1
21	67-0270	Handle W.A. - H.O.C.	1	45	3256-14	Washer - Flat	1
22	67-0870	Bolt - Shoulder	2	46	3290-134	Screw - Cap Mach. Hd.	1
23	67-0080	Link - H.O.C.	1				
24	76-3920	Decal - H.O.C./Deck Engage.	1				

*Not Illustrated

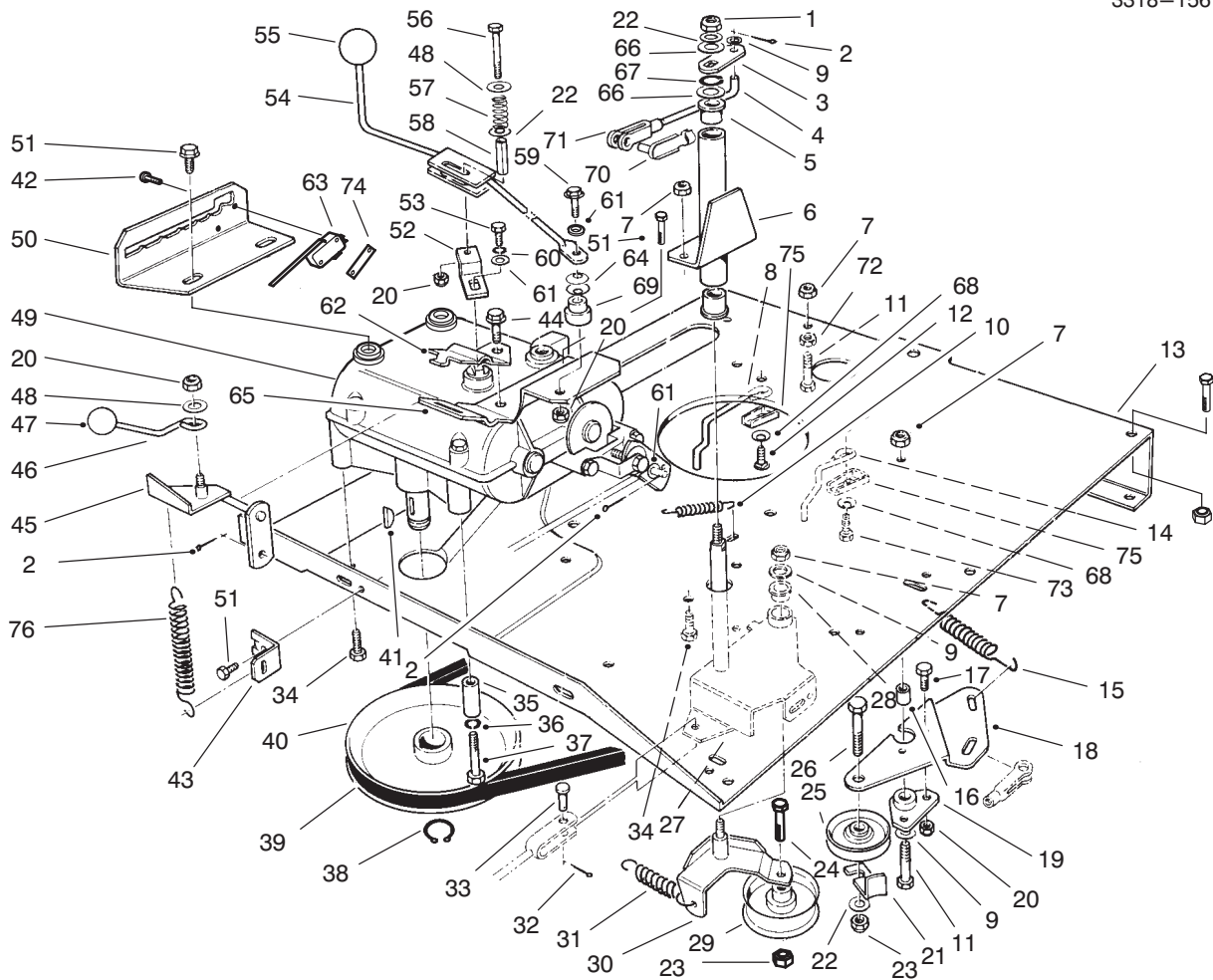


C-1506B

TRANSMISSION & LINKAGE ASSEMBLY

Ref. No.	Part No.	Description	No. Used
1	3296-39	Nut - Lock	1
2	3272-6	Pin - Cotter	2
3	67-0690-03	Flat - Deck Engage	1
4	68-8370	Link - Deck Engage	1
5	256-90	Bushing	2
6	67-0540-03	Tube W.A. - Pivot (Incl. Ref. #5)	1
7	3296-29	Nut - Lock	13
8	67-0930	Guide R.H. - Belt, Engine	1
9	3256-23	Washer - Flat	3
10	26-6700	Spring - Return, Brake	1
11	322-6	Screw - Cap Hex. Hd.	2
12	32144-49	Screw - Tapping	1
13	76-4090-01	Plate - Engine	1
14	67-0940	Guide L.H. - Belt, Engine	1
15	68-9950	Spring - Traction	1
16	67-0410	Spacer - Pivot	1
17	321-4	Screw - Cap Hex. Hd.	2
18	67-0420-03	Plate - Mount, Idler	1
19	67-0400	Mount - Pivot	1
20	3296-42	Nut - Lock	5
21	12-9020	Retainer - Belt	1
22	3256-24	Washer - Flat	3
23	3296-59	Nut - Lock	2

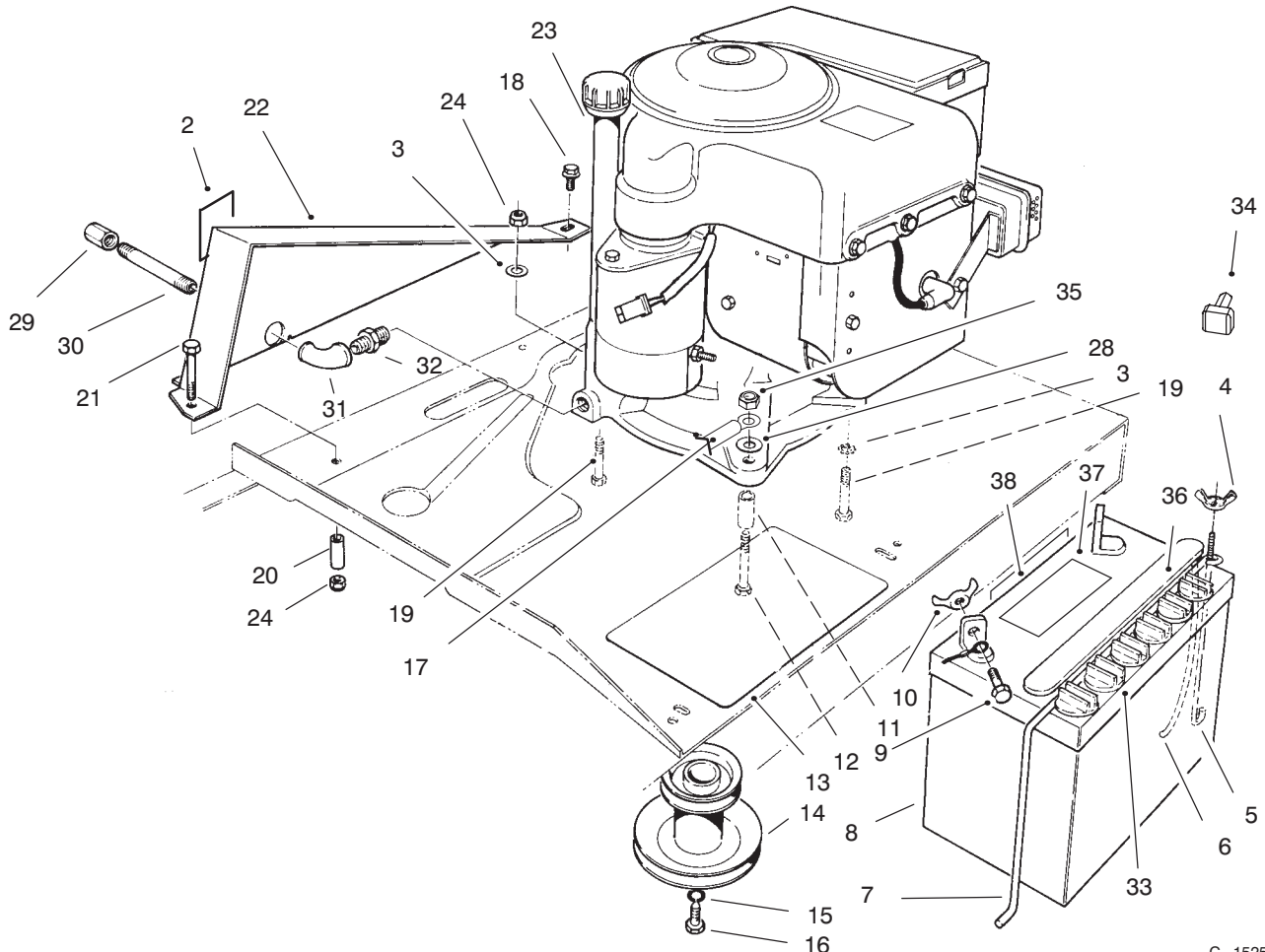
Ref. No.	Part No.	Description	No. Used
24	323-9	Screw - Cap Hex. Hd.	1
25	12-5820	Pulley - Idler, Traction	1
26	323-8	Screw - Cap Hex. Hd.	1
27	67-0360	Bracket - Arm, Idler (Incl. Ref. #28)	1
28	256-155	Bushing	1
29	56-9870	Pulley - Idler, Deck	1
30	67-0330-03	Idler - Plate, Mount	1
31	67-9170	Spring	1
32	3272-4	Pin - Cotter	1
33	283-67	Pin - Clevis	1
34	322-3	Screw - Cap Hex. Hd.	13
35	67-0920	Guide - Belt	1
36	3253-4	Washer - Lock	1
37	322-10	Screw - Cap Hex. Hd.	1
38	32120-64	Ring - Retaining	1
39	67-0900	Belt - Traction	1
40	82-6450	Pulley - Transmission	1
41	3257-23	Key	1
42	147665	Screw - Tapping	2
43	67-0750	Bracket - Mount, Spring	1
44	32144-70	Screw - Hex. Hd. Tapping	1
45	67-0600-03	Lever W.A. - Deck Engage	1
46	67-0640	Handle - Deck Engage	1



C-1506B

TRANSMISSION & LINKAGE ASSEMBLY (CONTINUED)

Ref. No.	Part No.	Description	No. Used	Ref. No.	Part No.	Description	No. Used
47	233-22	Knob	1	63	88-9930	Switch - Micro	1
48	3256-55	Washer - Fender	2	64	3290-478	Washer - Belleville	2
49	67-1400	Transmission	1	65	67-0660	Bracket - Mount, Shifter	1
50	88-9810-03	Gate - Shift	1	66	20-3220	Washer - Flat	2
51	32144-14	Screw - Wash. Hd., Tap.	4	67	32151-62	Ring - Retaining	1
52	56-7620	Lever - Shift	1	68	3290-456	Washer - Belleville	2
53	329-4	Screw - Cap Hex. Hd.	1	69	76-3970	Spacer - Pivot	1
54	76-3940-03	Lever W.A. - Shift	1	70	67-1530	Assembly - Pin, Clevis	1
55	233-48	Knob	1	71	282-27	Clevis	1
56	321-15	Screw - Cap Hex. Hd.	1	72	3218-2	Nut - Jam	1
57	56-7730	Spring	1	73	3230-2	Bolt - Carriage	1
58	56-7740	Spacer	1	74	3290-354	Nut - Double	1
59	321-8	Screw - Cap Hex. Hd.	1	75	76-3820	Anchor - Guide, Belt	2
60	3253-3	Washer - Lock	1	76	76-4660	Spring	1
61	3256-22	Washer - Flat	3				
62	67-0670	Bracket - Engage, Deck	1				

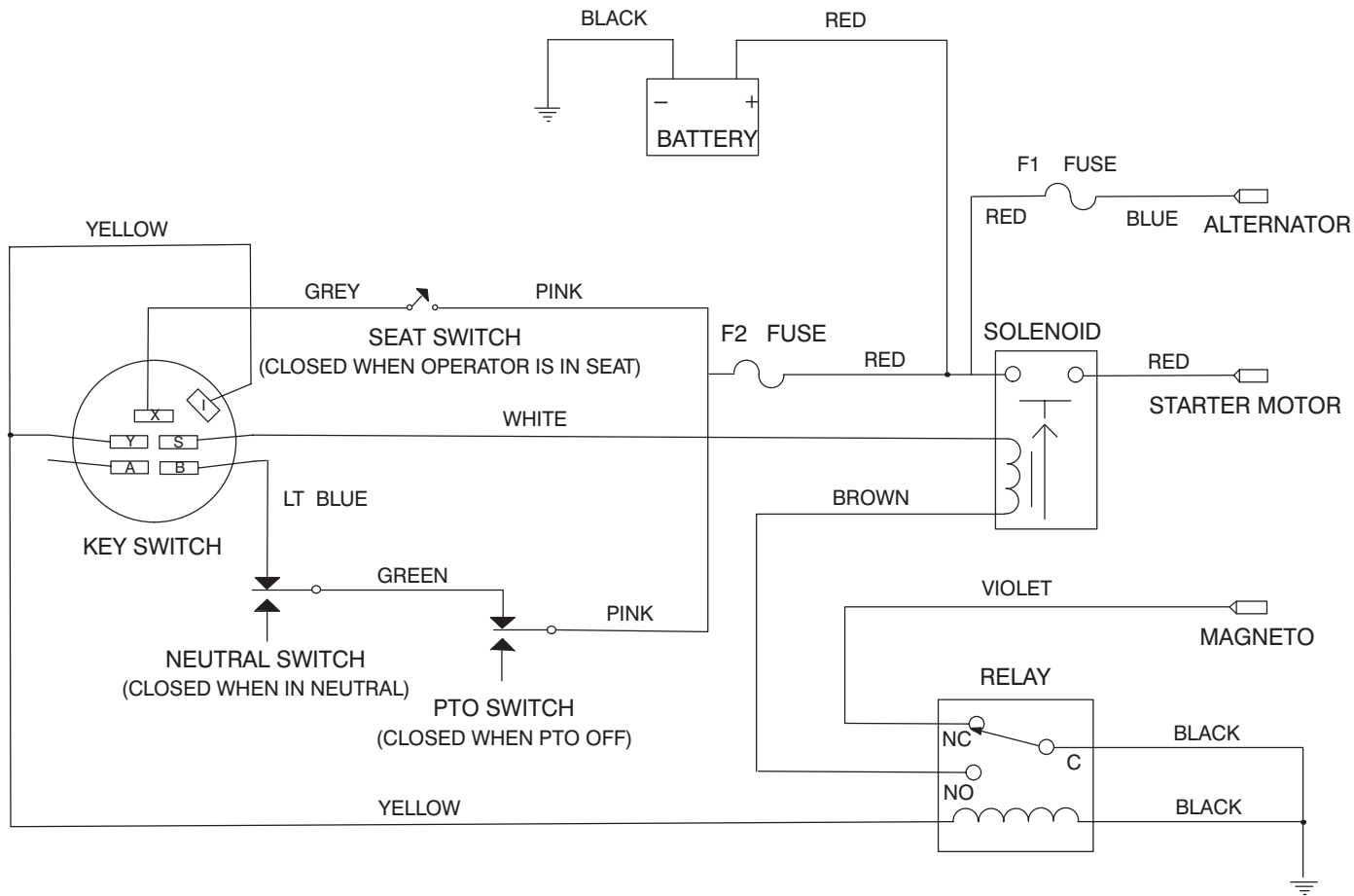


C-1525C

ENGINE ASSEMBLY

Ref. No.	Part No.	Description	No. Used
3	3256-23	Washer - Flat	2
4	32103-12	Nut - Wing	1
5	56-7720	Post - Hold Down, Battery	1
6	56-2540	Tube - Drain	1
7	56-7710	Hold Down - Battery	1
8	80-2600	Battery 12V	1
9	321-4	Screw - Cap Hex. Hd.	2
10	32103-22	Nut - Wing	2
11	80-4560	Spacer	1
12	322-12	Screw - Cap Hex. Hd.	1
13	62-4300	Pad - Anti-Skid	1
14	83-4840	Pulley - Engine	1
15	3256-25	Washer - Flat	1
16	62-3760	Screw - Cap Hex. Hd.	1
17	54-3091	Assembly - Wire Battery to Ground	2
18	32144-14	Screw - Self Tapping	1
19	322-7	Screw - Cap Hex. Hd.	3

Ref. No.	Part No.	Description	No. Used
20	67-0920	Guide - Belt	1
21	322-10	Screw - Cap Hex. Hd.	1
22	67-0962-01	Guard - Chain	1
23		Engine - 8 H.P. B & S	1
24	3296-29	Nut - Lock	4
28	3255-8	Washer - Lock	3
29	288-2	Cap - Pipe	1
30	289-34	Nipple - Pipe	1
31	2811-17	Elbow - Street	1
32	2812-1	Reducer	1
33	218-560	Cap - Battery	6
34	28-8080	Boot - Battery Terminal	1
35	32153-3	Nut - Lock	1
36	93-9354	Decal - Battery	1
37	93-7276	Decal - Danger	1
38	93-6668	Decal - Battery Charging Instructions	1

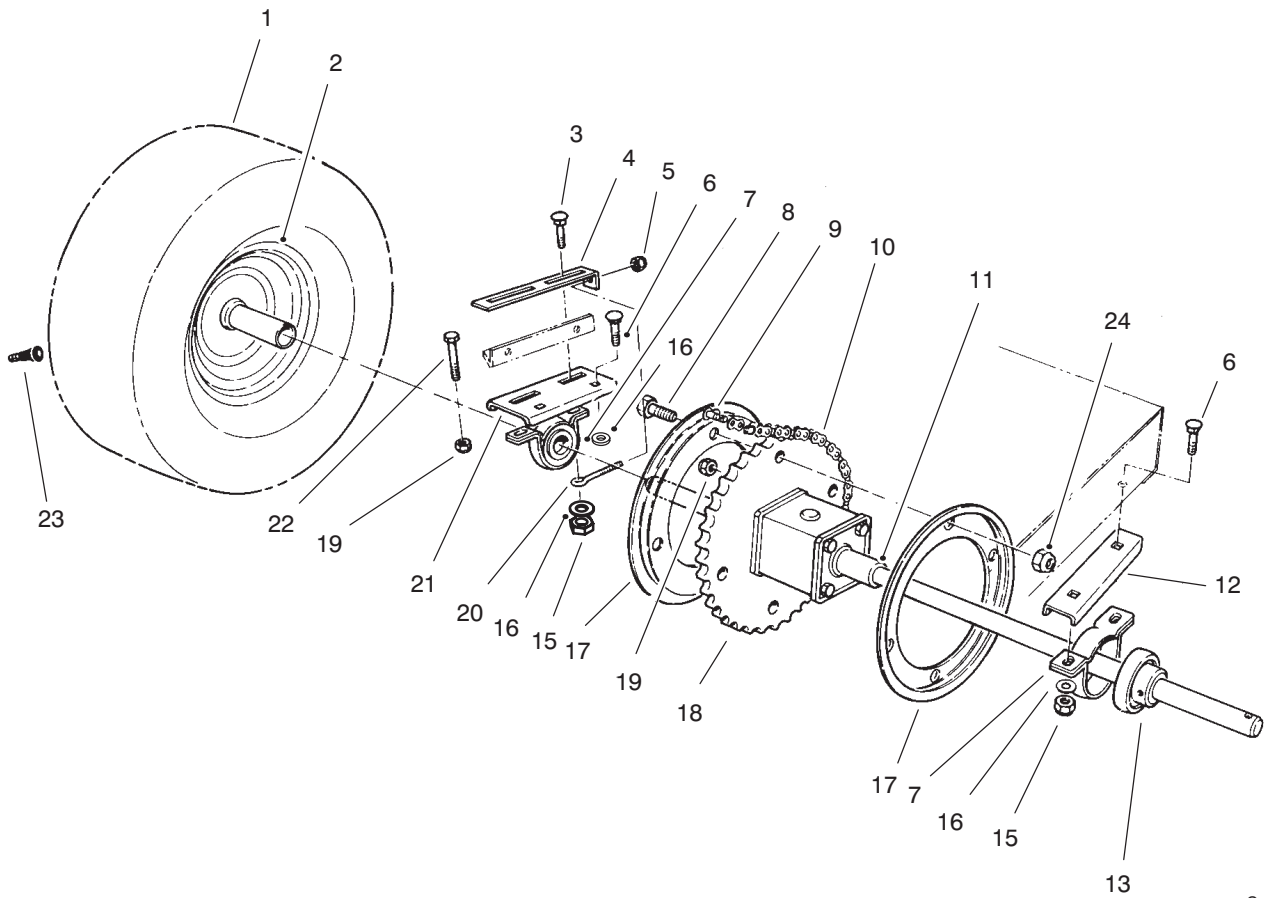


C-2378

ELECTRICAL SCHEMATIC

Ref. No.	Part No.	Description	No. Used
1	93-7444	Harness - Wire	1

Ref. No.	Part No.	Description	No. Used



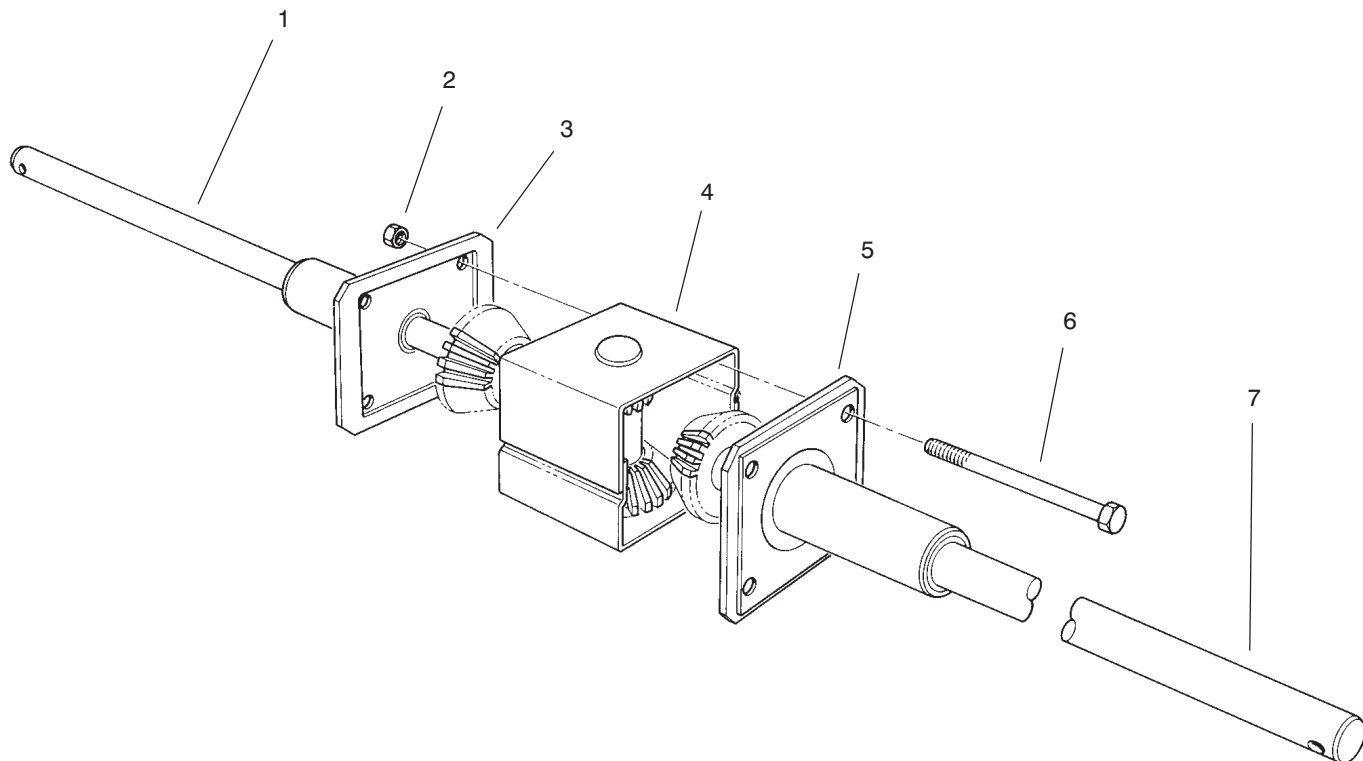
C-0008B

REAR AXLE ASSEMBLY

Ref. No.	Part No.	Description	No. Used
1	231-115	Tire	2
2	44-9760	Rim	2
3	3231-4	Bolt - Carriage	2
4	61-9990	Plate - Adjusting	1
5	3296-42	Nut - Lock	1
6	3231-25	Bolt - Carriage	4
7	47-1480	Mount - Bearing	2
8	321-4	Screw - Cap Hex. Hd.	4
9	2710-11	Link - Connecting	1
10	67-0910	Chain (Incl. Ref. #9)	1
11	56-9960	Differential	1
12	66-6630-03	Support L.H.	1

Ref. No.	Part No.	Description	No. Used
13	47-1490	Bearing (Incl. Ref. #14)	2
15	3296-39	Nut - Lock	6
16	3256-24	Washer - Flat	6
17	76-1580-03	Guide - Chain	2
18	76-4010	Sprocket	1
19	3296-29	Nut - Lock	6
20	61-9980	Screw - Adjusting	1
21	66-6620-03	Support R.H.	1
22	46-2511	Bolt - Axle	2
23	232-27	Valve Stem w/Cap	2
24	3296-8	Nut - Lock	4
*	232-38	Tube - Inner	2

*Not Illustrated



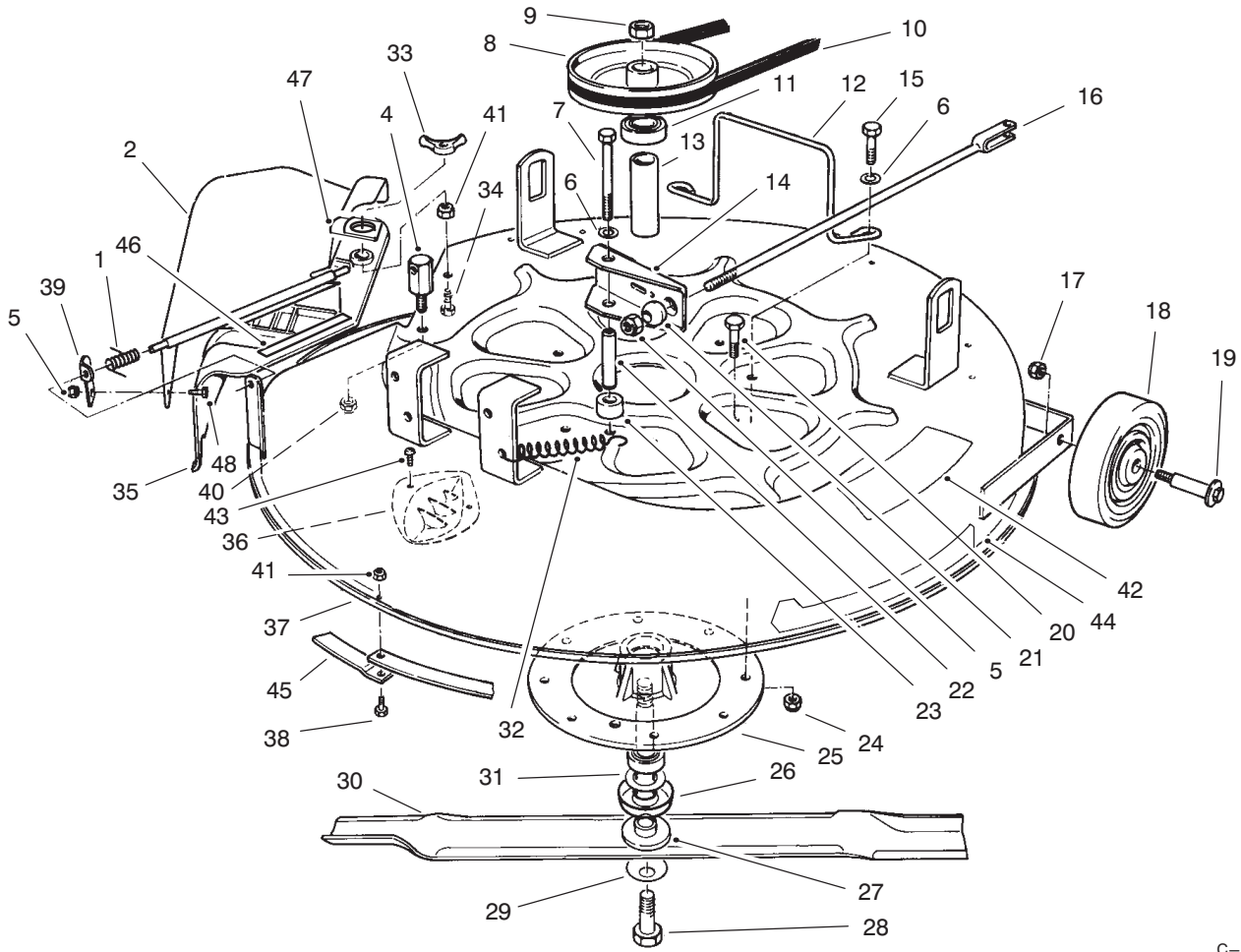
C-0010

DIFFERENTIAL ASSEMBLY

Ref. No.	Part No.	Description	No. Used
1	55-7762	Axle - R.H.	1
2	32152-1	Nut - Lock	4
3	55-7770	Cap - End, R.H.	1
4	55-7780	Case - Gear, Transfer	1

Ref. No.	Part No.	Description	No. Used
5	55-7771	Cap - End, L.H.	1
6	322-22	Screw - Cap Hex. Hd.	4
7	55-7763	Axle - L.H.	1
*	56-9960	Differential - Complete	1

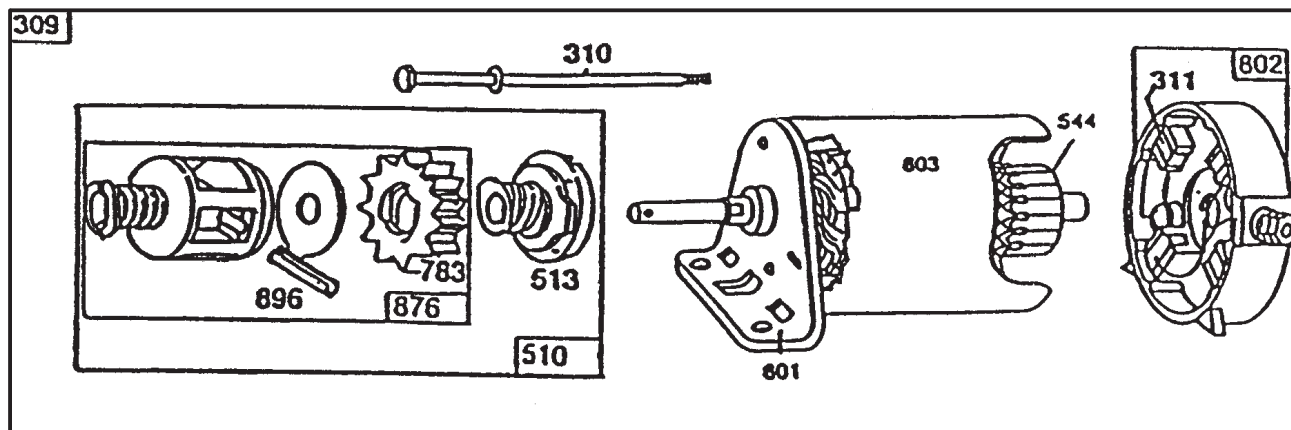
*Not Illustrated



C-1943B

CUTTING UNIT ASSEMBLY

Ref. No.	Part No.	Description	No. Used	Ref. No.	Part No.	Description	No. Used
1	28-8010	Spring	1	26	80-4360	Shield - Bearing	1
2	67-1150	Deflector	1	27	80-4340	Shaft - Spindle	1
4	67-0140	Post - Pivot	1	28	26-0671	Bolt - Blade	1
5	3296-8	Nut - Lock	2	29	3290-465	Washer - Belleville	1
6	3256-23	Washer - Lock	3	30	80-4530	Blade	1
7	322-22	Screw - Cap Hex. Hd.	1	31	80-4380	Spacer - Spindle	1
8	80-4460	Pulley - Deck	1	32	67-1440	Spring - Brake	1
9	3219-6	Nut - Hex.	1	33	32109-14	Nut - Wing	1
10	67-1390	V-Belt	1	34	3234-21	Screw - Cap Hex. Hd.	1
11	38-7820	Bearing - Ball	2	35	80-4450	Cover - Recycler	1
12	80-4520	Guide - Belt	1	36	80-4510	Kicker	4
13	62-3660	Spacer - Bearing	1	37	16-2199	Deck	1
14	67-1370	Assy. - Brake, Deck	1			(Incl. Ref. #42)	1
15	322-6	Screw - Cap Hex. Hd.	2	38	321-5	Screw - Cap Hex. Hd.	8
16	67-0570	Rod W.A. - Brake, Deck	1	39	67-1600-01	Bracket - Deflector	1
17	3296-39	Nut - Lock	2	40	3296-59	Nut - Lock	1
18	61-9760	Wheel - Deck	2	41	3296-42	Nut - Lock	9
19	56-6590	Bolt - Wheel	2	42	76-4070	Decal - Danger	1
20	322-3	Screw - Cap Hex. Hd.	6	43	32144-111	Screw - Special	8
21	67-0710	Ball - Swivel	1	44	92-9522	Decal - Recycler	1
22	67-0730	Post - Mount, Brake	1	45	80-4540-03	Ring - Deck, Recycler	4
23	67-0740	Spacer - Brake, Deck	1	46	68-3650	Decal - Warning	1
24	3296-29	Nut - Lock	9	47	83-6610	Tab - Hold Down	1
25	67-0970	Hub - Spindle	1	48	321-4	Screw - Cap Hex. Hd.	1



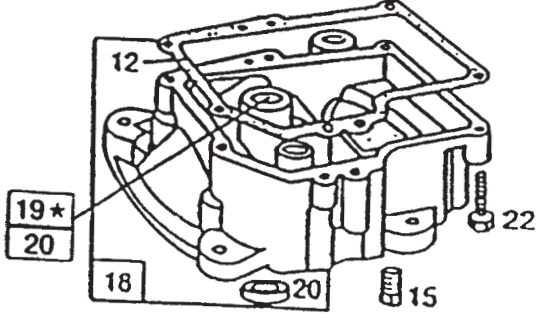
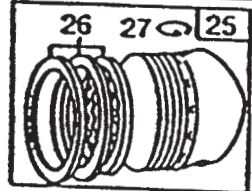
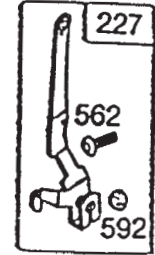
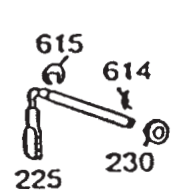
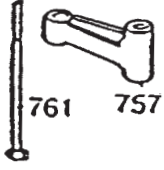
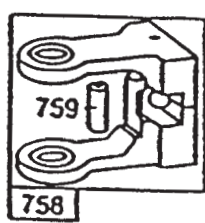
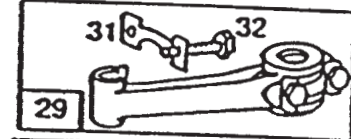
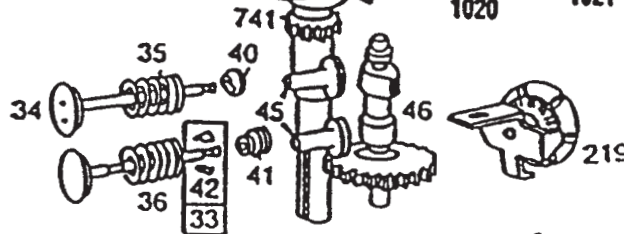
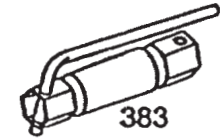
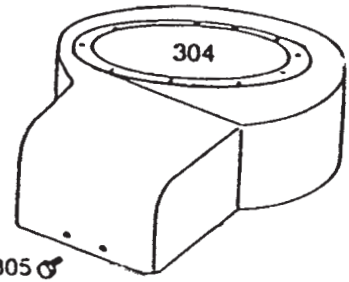
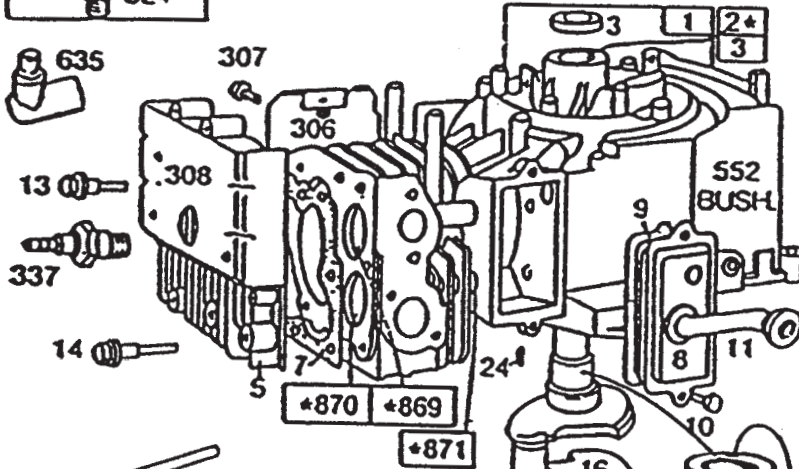
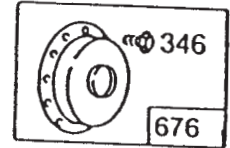
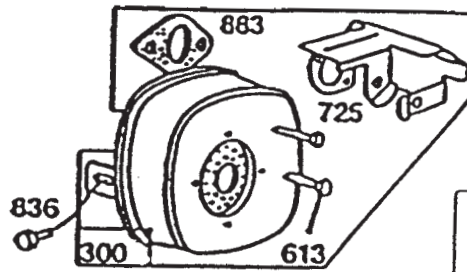
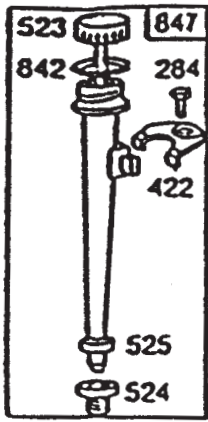
C-0784

STARTER – BRIGGS & STRATTON NO. 195707-0121-01

Ref. No.	Part No.	Description	No. Used
309	394805	Assembly – Motor & Drive	1
310	94003	Assembly – Thru Bolt	2
311	395538	Assembly – Brush	2
510	490421	Assembly – Drive (Incl. Ref. #513, 783, 876 & 896)	1
513	398003	Assembly – Clutch	1
544	390837	Assembly – Armature	1

Ref. No.	Part No.	Description	No. Used
783	280104	Gear	1
801	394856	Assembly – End Cap	1
802	395537	Assembly – Commutator, End Cap	1
803	398159	Assembly – Housing (3-21/32" Long)	1
876	490467	Kit – Retainer	1
896	94288	Pin – Roll	1

BRIGGS & STRATTON MODEL NO. 195707-0121-01



358 GASKET SET

* REQUIRES SPECIAL TOOLS TO INSTALL. SEE REPAIR INSTRUCTION MANUAL.

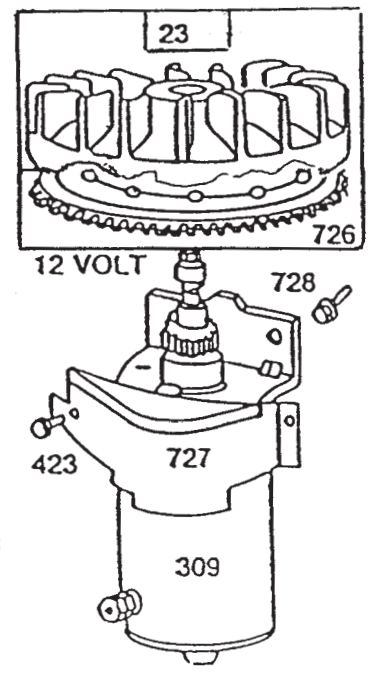
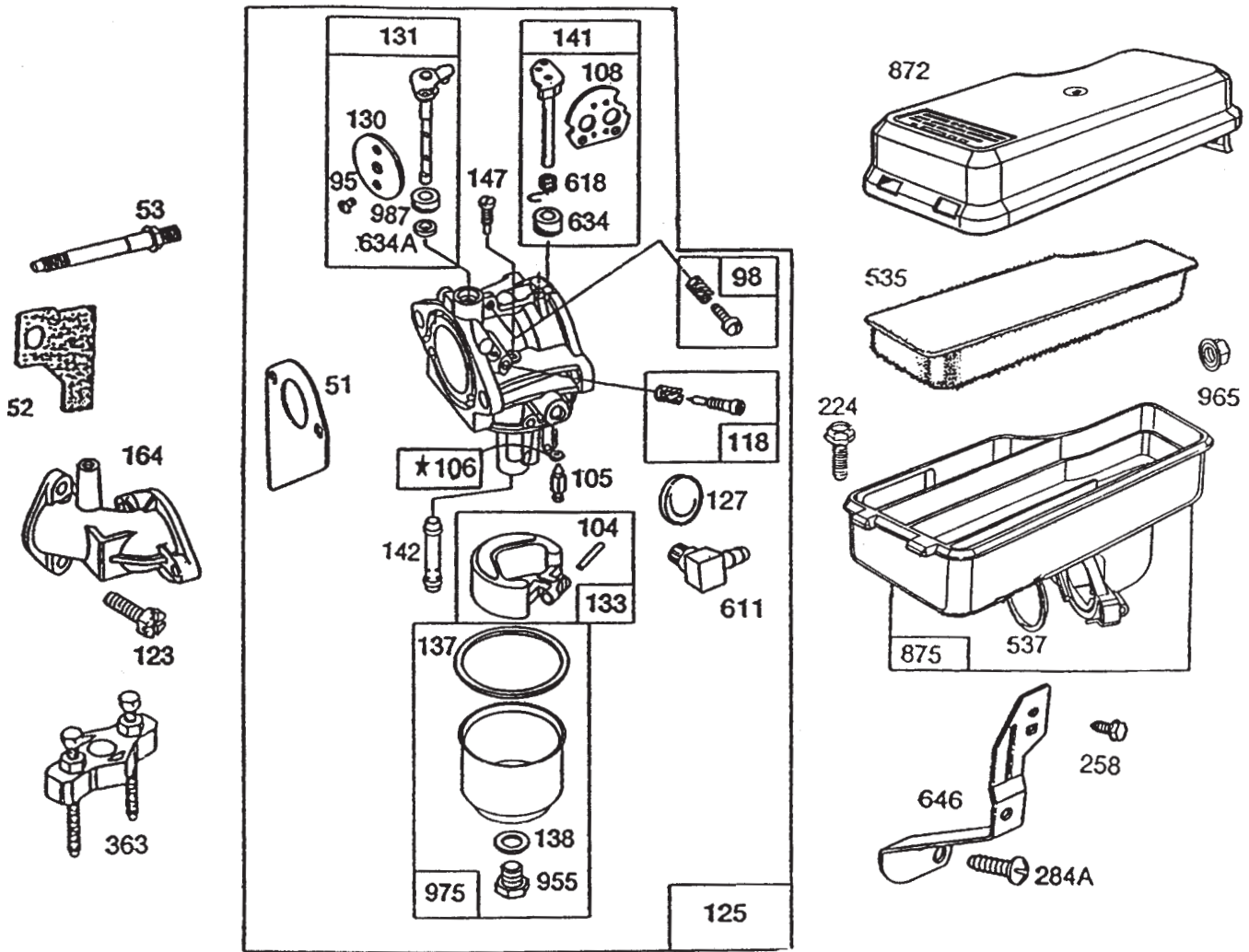
Assemblies include all parts shown in frames.

BRIGGS & STRATTON MODEL NO. 195707-0121-01

Ref. No.	Part No.	Description	No. Used	Ref. No.	Part No.	Description	No. Used
1	396269	Assembly – Cylinder	1	32	92659	Screw – Connecting Rod	1
2	399267	Bearing – Cylinder Note: Requires special tools for installation.	1	33	390419	Valve – Exhaust	1
3	294606	Seal – Oil	1	34	261055	Valve – Intake	1
5	212286	Head – Cylinder	1	35	65906	Spring – Valve, Intake	1
*7	272163	Gasket – Head, Cylinder	1	36	26828	Spring – Valve, Exhaust	1
8	391406	Assembly – Breather	1	40	221596	Retainer – Valve, Intake	1
*9	27803	Gasket – Cover, Valve	1	41	292260	Rotocoil – Valve, Exhaust	1
10	94621	Screw	1	42	93630	Retainer – Valve, Exhaust Rotocoil	2
11	280005	Tube – Breather	1	45	260933	Tappet – Valve	1
*12	271701	Gasket – Cover, Crankcase 1/64" Thick	1	46	211689	Gear – Cam	1
*	27876	Gasket – Cover, Crankcase .005" Thick	1	225	231058	Crank – Gov. (1/4" Dia.)	1
*	27877	Gasket – Cover, Crankcase .009" Thick	1	227	43935	Assy. Lever – Governor for 1/4" Dia. Crank	1
13	94565	Screw – Head, Cylinder	1	230	222450	Washer – Lever, Governor (1/4" Inside Diameter)	1
14	93723	Screw – Head, Cylinder (3" Long)	1	284	94419	Screw – Clamp, Mounting	1
15	94239	Plug – Drain, Oil	1	300	398507	Muffler – Exhaust	1
16	396876	Crankshaft Note: Order Part 94388 for timing gear pin replacement.	1	304	494084	Housing – Blower	1
18	392548	Base – Engine	1	305	94608	Screw – Blower Hsg., Sems	1
19	295963	Bushing – Base, Engine Note: Requires special tool for installation.	1	306	224543	Shield – Cylinder	1
20	391086	Seal – Oil	1	307	93949	Screw – Shield, Cylinder	1
22	93585	Screw – Base, Mounting	1	308	222636	Cover – Head, Cylinder	1
24	222698	Key – Flywheel	1	337	802592	Plug – Spark	1
25	391673	Assy. – Piston, Std.	1	346	93705	Screw	1
	391674	Assy. – Piston, .010" O.S.	1	358	299577	Gasket Set	1
	391675	Assy. – Piston, .020" O.S.	1	383	89838	Wrench – Spark Plug	1
	391676	Assy. – Piston, .030" O.S.	1	422	223394	Clamp – Tube, Oil Filler	1
		PISTON RING SETS Note: For Chrome Piston Ring Set – Standard Size – Order No. 299743.		523	391840	Cap & Dipstick – Oil Filler	1
26	391669	Ring Set – Piston, Std.	1	524	68838	Seal – Tube, Filler	1
	391670	Ring Set – Piston, .010" O.S.	1	525	280133	Tube – Filler, Oil	1
	391671	Ring Set – Piston, .020" O.S.	1	527	221428	Clamp	1
	391672	Ring Set – Piston, .030" O.S.	1	552	491986	Bushing – Crank, Gov.	1
27	68546	Lock – Piston Pin	1	562	92613	Bolt – Lever, Governor	1
28	295840	Assy. – Piston Pin, Std.	1	592	231082	Nut – Hex.	1
	295841	Assy. – Piston Pin, .005" O.S.	1	613	94042	Screw – Muffler	1
29	390402	Assy. – Rod, Connecting Note: For Connecting Rod with .020" Undersize Crankpin Bore – Order No. 390773.	1	614	93306	Pin – Hair, Cotter	1
31	222114	Lock – Screw, Conn. Rod	1	615	93307	Retainer – E-Ring	1
				635	66538	Elbow – Plug, Spark	1
				676	395700	Deflector – Exhaust	1
				683	93572	Screw	1
				725	223540	Shield – Muffler	1
				741	262479	Gear – Timing	1
				757	212359	Link – Counterweight	1
				758	390172	Assy. – Counterweight	1
				759	298909	Pin – Counterweight	1
				761	93874	Screw – Counterweight	1
				836	93559	Screw	1
				842	270920	Seal – Cap, Filler	1
				847	392066	Filler Group – Oil	1
				869	211661	Seat – Valve, Intake (Std.)	1
				870	211661	Seat – Valve, Exhaust (Std.)	1
				871	231218	Guide – Exhaust or Intake Valve, See repair manual	1
				883	272309	Gasket – Pipe, Exhaust	1
				1020	261190	Eccentric	1
				1021	94160	Pin – Eccentric	1

*Included in Gasket Set – Part No. 299577.

BRIGGS & STRATTON MODEL NO. 195707-0121-01



* REQUIRES SPECIAL TOOLS TO INSTALL.
 SEE REPAIR INSTRUCTION MANUAL.

Assemblies include all parts shown in frames.

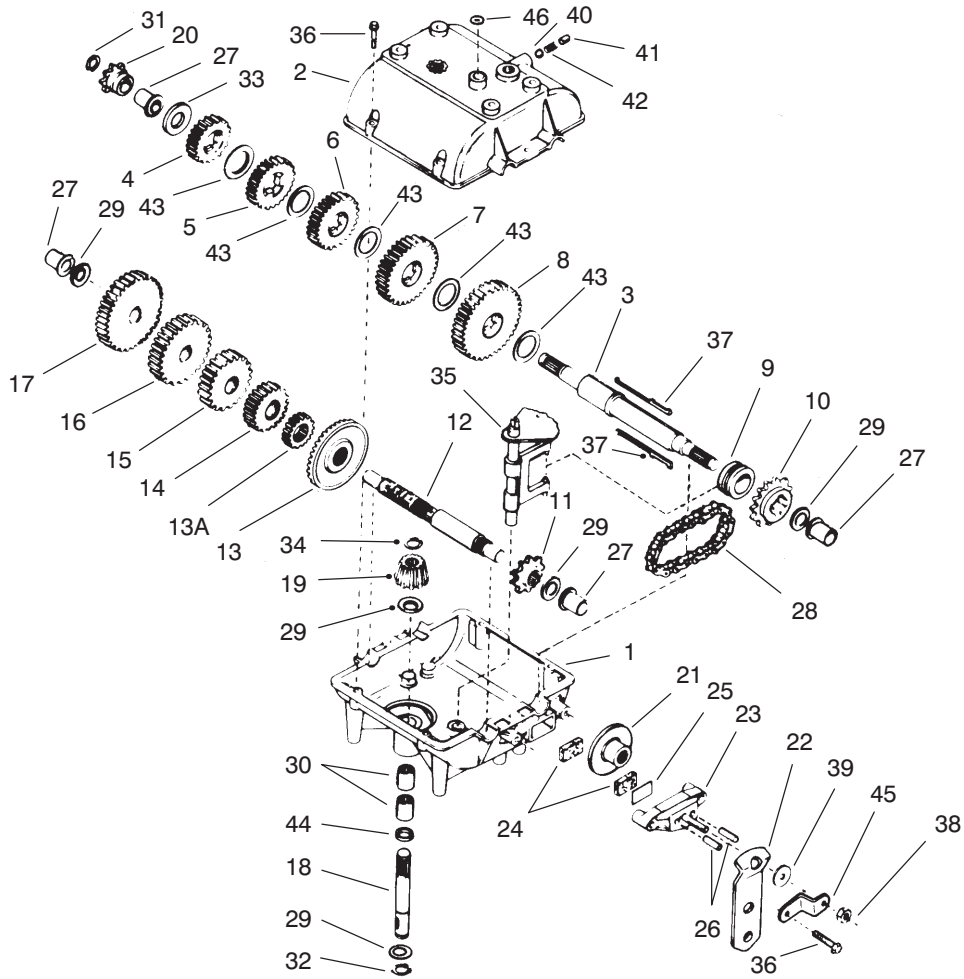
BRIGGS & STRATTON MODEL NO. 195707-0121-01

Ref. No.	Part No.	Description	No. Used	Ref. No.	Part No.	Description	No. Used
223	391983	Flywheel and Ring Gear Assy. - Magneto (Incl. Aluminum Ring Gear)	1	332	92284	Nut - Flywheel	1
*#51	272465	Gasket - Carburetor (Carb. to Elbow)	1	333	398811	Armature Assembly	1
‡52	270824	Gasket - Carb. Mtg.	1	334	93381	Screw - Armature Mtg. Sem	1
53	94637	Stud - Gasket Mtg.	1	356	494328	Wire - Ground	1
75	224061	Washer - Spring	1	363	19165	Puller - Flywheel	1
78	93805	Screw - Sem	1	423	94073	Screw - Sem	1
*95	94098	Screw - Throttle	1	455	222561	Cup - Screen Mounting	1
98	494382	Screw - Idle Speek	1	468	222562	Screen - Flush Rotating	1
*104	231789	Pin - Float Hinge	1	482	93621	Screw - Sem	1
*105	231790	Valve Assy. - Inlet Needle	1	535	272405	Element - Foam Air Cleaner	1
*106	281169	Inlet Valve Seat	1	537	281106	O-Ring - Air Cleaner	1
108	224540	Valve - Choke	1	611	494451	Fuel Inlet Tube	1
118	494383	Valve - Needle	1	618	262803	Spring - Choke Return	1
121	494880	Carburetor Overhaul Kit	1	*634	281168	Seal - Choke Shaft	1
123	94616	Screw - Carburetor Mtg.	1	*634A	281167	Washer - Throttle Shaft	1
125	494894	Carburetor Assembly	1	646	224614	Brace - Air Cleaner	1
*127		Plug - Welch (Kit Only)	1	657	93496	Screw - Sem	1
130	224668	Valve - Throttle	1	663	94419	Screw	1
131	494885	Shaft & Lever - Throttle	1	726	392134	Gear - Ring (Aluminum) (Incl. Mtg. Parts)	1
133	494381	Float - Carburetor	1	727	395405	Cover - Starter (Incl. Mtg. Screws)	1
*#137	281165	Gasket - Float Bowl	1	728	93535	Screw - Sem	1
*#138	281164	Washer - Float Bowl	1	729	281159	Clip - Lead Wire	1
141	494380	Shaft & Lever - Choke	1	851	221798	Terminal - Ignition Cable	1
*142	494877	Nozzle - Carburetor	1	872	281108	Cover - Air Cleaner	1
*147	231794	Screw - Nozzle	1	875	494745	Body - Air Cleaner	1
164	213819	Carburetor Elbow	1	877	393814	Diode & Connector Assy.	1
201	262769	Link - Governor	1	887	391529	Stator Assembly - Alternator (D.C.)	1
209	260871	Spring - Governor	1	955	94642	Screw - Fuel Bowl	1
216	262768	Link - Choke	1	965	94108	Nut - Lock	1
222	493896	Plate - Gov. Plate	1	975	494378	Bowl Assy. - Carburetor	1
224	94513	Screw - Sem	1	*987	281166	Seal - Throttle Shaft	1
232	262787	Spring - Governor Link	1				
258	94620	Screw - Hex. Tapping	1				
265	221535	Clamp - Casing	1				
284A	94326	Screw - Brace Mtg.	1				
309		Motor - Starting (12 Volt) See Chart for Replacement Parts for Starting Motor on Illustrated Pages	1				

*Included in Carburetor Overhaul Set - Part No. 494880.

‡Included in Carburetor Gasket Set - Part No. 494385.

‡Included in Gasket Set - Part No. 299577.



C-0441

TRANSMISSION PEERLESS MODEL 700-025

Ref. No.	Part No.	Description	No. Used	Ref. No.	Part No.	Description	No. Used
1	770061	Case – Transmission	1	24	790006	Pad – Brake	2
2	772083	Cover – Transmission	1	25	790007	Plate – Pad, Brake	1
3	776217	Shaft – Output	1	26	786026	Pin – Dowel	2
4	778121A	Gear – Spur (20 Teeth)	1	27	780105A	Bushing – Flange	4
5	778122A	Gear – Spur (22 Teeth)	1	28	786081	Chain – Roller (No. 41 Chain, 24 Links)	1
6	778123A	Gear – Spur (25 Teeth)	1	29	780072	Washer – Thrust	5
7	778124A	Gear – Spur (30 Teeth)	1	30	780086	Bearing – Needle	2
8	778125	Gear – Spur (35 Teeth)	1	31	792072	Ring – Retaining	1
9	784266	Collar – Shift	1	32	792035	Ring – Retaining	1
10	786083	Sprocket (18 Teeth)	1	33	780109	Washer	1
11	786082	Sprocket (9 Teeth)	1	34	788040	Ring – Retaining	1
12	776134	Shaft – Counter	1	35	784267	Assy. Rod & Fork – Shift	1
13	788137A	Gear – Bevel (42 Teeth)	1	36	792073	Screw – Thread Forming	8
13A	778136	Gear – Spur (15 Teeth)	1	37	792089A	Key	2
14	778126A	Gear – Spur (20 Teeth)	1	38	792075	Nut – Lock	1
15	778127A	Gear – Spur (25 Teeth)	1	39	792076	Washer	1
16	778128A	Gear – Spur (28 Teeth)	1	40	792077	Ball – Steel	1
17	778129A	Gear – Spur (30 Teeth)	1	41	792078	Screw – Set	1
18	776135	Shaft – Input	1	42	792079	Spring	1
19	778113A	Bevel – Pinion, Input	1	43	780108	Washer – Thrust	5
20	786047	Sprocket (8 Teeth)	1	44	792001	O-Ring	1
21	790003	Disk – Brake	1	45	786086	Bracket – Lever, Brake	1
22	790008A	Lever – Brake	1	46	788069	Seal – Square Cut	1
23	790025	Holder – Pad, Brake	1				

TORO PART NUMBER INDEX

3318-156 REV. A

Part No.	Description	Pg. No.	Ref. No.	Qty.	Part No.	Description	Pg. No.	Ref. No.	Qty.
110513	Bearing	4	16	4	66-6920	Pad - Isolator	3	17	2
147665	Screw - Pan Head	5	26	2	67-0010-03	Lift W.A. - Front, Deck	2	5	1
147665	Screw - Tapping	6	42	2	67-0050-01	Tube W.A. - Support, Rear	2	11	1
12-5820	Pulley - Idler, Traction	6	25	1	67-0080	Link - H.O.C.	5	23	1
12-9020	Retainer - Belt	6	21	1	67-0090-03	Bracket - Link, H.O.C.	2	10	1
13-6049	Kit - Loose parts	2	*	1	67-0140	Post - Pivot	12	4	1
16-2199	Deck	12	37	1	67-0231-01	Body W.A. - Rear	5	13	1
18-2970	R-Clamp	3	4	1	67-0270	Handle W.A. - H.O.C.	5	21	1
19-1470	Bolt - Shoulder	1	18	1	67-0300-01	Lever W.A. - H.O.C.	2	18	2
19-1610-03	Lever - Brake, Parking	1	19	1	67-0330-03	Idler - Plate, Mount	6	30	1
19-1970	Spring - Brake, Parking	1	13	1	67-0360	Bracket - Arm, Idler	6	27	1
19-2200	Tip - Brake, Parking	1	20	1	67-0400	Mount - Pivot	6	19	1
20-3220	Washer - Flat	7	66	2	67-0410	Spacer - Pivot	6	16	1
26-0671	Bolt - Blade	12	28	1	67-0420-03	Plate - Mount, Idler	6	18	1
26-6700	Spring - Return, Brake	6	10	1	67-0430	Rod - Clutch	2	6	1
26-9530	Washer - Pivot	1	8	1	67-0440	Spacer - Steering	2	32	1
28-0540	Bolt - Shoulder	5	18	1	67-0450-01	Frame W.A. - Front	2	25	1
28-2480	Washer - Flat	4	2	2	67-0520-01	Channel - R.H.	2	3	1
28-8010	Spring	12	1	1	67-0530-01	Channel - L.H.	2	24	1
28-8080	Boot - Battery Terminal	8	34	1	67-0540-03	Tube W.A. - Pivot	6	6	1
38-1420	Switch - Seat	3	3	1	67-0570	Rod W.A. - Brake, Deck	12	16	1
38-7820	Bearing - Ball	12	11	2	67-0600-03	Lever W.A. - Deck Engage	6	45	1
44-7030	Tread - Foot Rest	1	3	2	67-0640	Handle - Deck Engage	6	46	1
44-7140-01	Mount - Bearing, Axle	2	2	1	67-0660	Bracket - Mount, Shifter	7	65	1
44-9760	Rim	10	2	2	67-0670	Bracket - Engage, Deck	7	62	1
46-2511	Bolt - Axle	10	22	2	67-0690-03	Flat - Deck Engage	6	3	1
46-2511	Bolt - Mounting, Axle	2	19	2	67-0710	Ball - Swivel	12	21	1
47-1480	Mount - Bearing	10	7	2	67-0730	Post - Mount, Brake	12	22	1
47-1490	Bearing	10	13	2	67-0740	Spacer - Brake, Deck	12	23	1
47-2964	Hose - Gas	3	9	2	67-0750	Bracket - Mount, Spring	6	43	1
47-2986	Hose - Gas	3	5	1	67-0790-03	Support W.A. - Seat	5	10	1
48-4700	Relay	5	17	1	67-0800-01	Spindle - R.H.	4	15	1
49-3242	Wheel - Steering	2	34	1	67-0810-01	Spindle - L.H.	4	12	1
54-3091	Assembly - Wire	8	17	2	67-0830-03	Shaft W.A. - Steering	2	26	1
55-3576	Assembly - Cap, Gas	3	8	1	67-0850	Bushing - Steering	2	29	2
55-7103	Tower	1	22	1	67-0860	Washer - Steering	2	30	1
55-7762	Axle - R.H.	11	1	1	67-0870	Bolt - Shoulder	5	22	2
55-7763	Axle - L.H.	11	7	1	67-0870	Bolt - Shoulder	2	27	2
55-7770	Cap - End, R.H.	11	3	1	67-0880	Assembly - Tie Rod	4	11	2
55-7771	Cap - End, L.H.	11	5	1	67-0900	Belt - Traction	6	39	1
55-7780	Case - Gear, Transfer	11	4	1	67-0910	Chain	10	10	1
56-2540	Tube - Drain	8	6	1	67-0920	Guide - Belt	8	20	1
56-6360	Filter	3	10	1	67-0920	Guide - Belt	6	35	1
56-6590	Bolt - Wheel	12	19	2	67-0930	Guide R.H. - Belt, Engine	6	8	1
56-7620	Lever - Shift	7	52	1	67-0940	Guide L.H. - Belt, Engine	6	14	1
56-7710	Hold Down - Battery	8	7	1	67-0950	Strap - Tank, Gas	3	6	2
56-7720	Post - Hold Down, Battery	8	5	1	67-0962-01	Guard - Chain	8	22	1
56-7730	Spring	7	57	1	67-0970	Hub - Spindle	12	25	1
56-7740	Spacer	7	58	1	67-0990	Axle - Front	4	9	1
56-9870	Pulley - Idler, Deck	6	29	1	67-1030	Cover - Panel, Control	5	42	1
56-9960	Differential	10	11	1	67-1070-01	Body W.A. - Front	1	15	1
56-9960	Differential - Complete	11	*	1	67-1090-01	Support W.A. - Seat	5	29	1
61-9760	Wheel - Deck	12	18	2	67-1130-03	Pedal - Brake & Clutch	1	14	2
61-9780	Cap - Hub	4	1	2	67-1150	Deflector	12	2	1
61-9980	Screw - Adjusting	10	20	1	67-1242-01	Base - Seat	3	2	1
61-9990	Plate - Adjusting	10	4	1	67-1270	Decal - Panel, Control	5	39	1
62-3660	Spacer - Bearing	12	13	1	67-1330-03	Lever - Brake, Bellcrank	1	10	1
62-3760	Screw - Cap Hex. Hd.	8	16	1	67-1340	Rod - Brake, Transmission	1	9	1
62-4300	Pad - Anti-Skid	8	13	1	67-1350	Rod - Front, Brake	1	12	1
63-8360	Key	5	40	1	67-1370	Assy. - Brake, Deck	12	14	1
65-2920	Pad - Pedal	1	17	2	67-1390	V-Belt	12	10	1
66-6620-03	Support R.H.	10	21	1	67-1400	Transmission	7	49	1
66-6630-03	Support L.H.	10	12	1	67-1430	Spring - Compression	1	7	1
66-6640	Control - Throttle	5	34	1	67-1440	Spring - Brake	12	32	1

*Not Illustrated

TORO PART NUMBER INDEX (Cont.)

Part No.	Description	Pg. No.	Ref. No.	Qty.	Part No.	Description	Pg. No.	Ref. No.	Qty.
67-1450	Spring - Extension	1	11	1	232-27	Valve Stem w/Cap	4	17	2
67-1460	Washer - Flat	2	15	2	232-27	Valve Stem w/Cap	10	23	2
67-1480	Brace - Support, Seat	5	8	2	232-38	Tube - Inner	10	*	2
67-1500-03	Bar - Stand	5	5	1	232-44	Tube - Inner	4	*	2
67-1510-03	Brace - Stop, Deck	2	13	2	233-22	Knob	5	25	1
67-1530	Assembly - Pin, Clevis	7	70	1	233-22	Knob	7	47	1
67-1530	Pin - Clevis	2	8	1	233-48	Knob	7	55	1
67-1590	Bracket - Brake Return	1	6	1	233-59	Knob	5	35	1
67-1600-01	Bracket - Deflector	12	39	1	2412-98	Clamp - Hose	3	11	5
67-9170	Spring	6	31	1	256-90	Bushing	6	5	2
68-3650	Decal - Warning	12	46	1	256-155	Bushing	6	28	1
68-8370	Link - Deck Engage	6	4	1	2710-11	Link - Connecting	10	9	1
68-8380	Spacer - Stop, Deck	2	17	2	282-27	Clevis	2	7	1
68-9950	Spring - Traction	6	15	1	282-27	Clevis	7	71	1
71-8310	Spring - Prop, Seat	5	1	1	283-67	Pin - Clevis	6	33	1
76-1580-03	Guide - Chain	10	17	2	288-2	Cap - Pipe	8	29	1
76-3820	Anchor - Guide, Belt	7	75	2	289-34	Nipple - Pipe	8	30	1
76-3920	Decal - H.O.C./Deck	5	24	1	2811-17	Elbow - Street	8	31	1
76-3940-03	Lever W.A. - Shift	7	54	1	2812-1	Reducer	8	32	1
76-3970	Spacer - Pivot	7	69	1	302-5	Fitting - Grease	4	4	4
76-4010	Sprocket	10	18	1	321-4	Screw - Cap Hex. Hd.	10	8	4
76-4070	Decal - Danger	12	42	1	321-4	Screw - Cap Hex. Hd.	8	9	2
76-4080	Decal	2	36	1	321-4	Screw - Cap Hex. Hd.	6	17	2
76-4090-01	Plate - Engine	6	13	1	321-4	Screw - Cap Hex. Hd.	12	48	1
76-4660	Spring	7	76	1	321-5	Screw - Cap Hex. Hd.	12	38	8
80-2600	Battery 12V	8	8	1	321-8	Screw - Cap Hex. Hd.	7	59	1
80-4330	Prop - Seat	5	32	1	321-15	Screw - Cap Hex. Hd.	7	56	1
80-4340	Shaft - Spindle	12	27	1	322-3	Screw - Cap Hex. Hd.	2	1	6
80-4360	Shield - Bearing	12	26	1	322-3	Screw - Cap Hex. Hd.	5	9	6
80-4380	Spacer - Spindle	12	31	1	322-3	Screw - Cap Hex. Hd.	3	14	4
80-4450	Cover - Recycler	12	35	1	322-3	Screw - Cap Hex. Hd.	12	20	6
80-4460	Pulley - Deck	12	8	1	322-3	Screw - Cap Hex. Hd.	6	34	13
80-4510	Kicker	12	36	4	322-5	Screw - Cap Hex. Hd.	5	7	2
80-4520	Guide - Belt	12	12	1	322-6	Screw - Cap Hex. Hd.	6	11	2
80-4530	Blade	12	30	1	322-6	Screw - Cap Hex. Hd.	12	15	2
80-4540-03	Ring - Deck, Recycler	12	45	4	322-7	Screw - Cap Hex. Hd.	8	19	3
80-4550	Rod - Base, Seat	5	33	1	322-10	Screw - Cap Hex. Hd.	8	21	1
80-4560	Spacer	8	11	1	322-10	Screw - Cap Hex. Hd.	6	37	1
80-4580	Tank - Gas	3	7	1	322-12	Screw - Cap Hex. Hd.	8	12	1
82-6450	Pulley - Transmission	6	40	1	322-14	Screw - Cap Hex. Hd.	2	23	2
83-4840	Pulley - Engine	8	14	1	322-22	Screw - Cap Hex. Hd.	11	6	4
83-6610	Tab - Hold Down	12	47	1	322-22	Screw - Cap Hex. Hd.	12	7	1
88-4330	Seat	3	1	1	323-8	Screw - Cap Hex. Hd.	6	26	1
88-9810-03	Gate - Shift	7	50	1	323-9	Screw - Cap Hex. Hd.	6	24	1
88-9830	Switch - Ignition	5	36	1	323-10	Screw - Cap Hex. Hd.	2	16	2
88-9930	Switch - Micro	7	63	1	329-4	Screw - Cap Hex. Hd.	7	53	1
88-9931	Switch - Micro	5	27	1	3218-1	Nut - Jam	5	16	2
92-7978	Decal - Horsehead	3	18	1	3218-2	Nut - Jam	7	72	1
92-7979	Decal - Toro L.H.	5	12	1	3219-6	Nut - Hex.	12	9	1
92-7980	Decal - Toro R.H.	5	*	1	3230-2	Bolt - Carriage	7	73	1
92-7981	Decal - Toro	1	21	1	3230-3	Bolt - Carriage	5	3	2
92-7990	Insert - Wheel, Steering	2	35	1	3230-20	Bolt - Carriage	5	11	6
92-9522	Decal - Recycler	12	44	1	3230-20	Bolt - Carriage	3	16	4
92-9845	Solenoid	5	31	1	3231-4	Bolt - Carriage	10	3	2
93-6668	Decal - Battery Charging	8	38	1	3231-25	Bolt - Carriage	10	6	4
93-7276	Decal - Danger	8	37	1	3234-21	Screw - Cap Hex. Hd.	12	34	1
93-7444	Harness - Wire	9	1	1	3253-3	Washer - Lock	5	15	2
93-9354	Decal - Battery	8	36	1	3253-3	Washer - Lock	7	60	1
93-9499	Decal - Instruction	1	1	1	3253-4	Washer - Lock	6	36	1
217-80	Rim	4	5	2	3254-5	Washer - Lock, Int. Tooth	5	37	1
218-461	Nut - Hex.	5	38	1	3255-8	Washer - Lock	8	28	3
218-560	Cap - Battery	8	33	6	3256-14	Washer - Flat	5	45	1
231-115	Tire	10	1	2	3256-22	Washer - Flat	5	4	1
231-116	Tire	4	3	2	3256-22	Washer - Flat	7	61	3

*Not Illustrated

TORO PART NUMBER INDEX (Cont.)

Part No.	Description	Pg. Ref.			Part No.	Description	Pg. Ref.		
		No.	No.	Qty.			No.	No.	Qty.
3256-23	Washer - Flat	8	3	2	3296-29	Nut - Lock	3	12	4
3256-23	Washer - Flat	5	6	4	3296-29	Nut - Lock	10	19	6
3256-23	Washer - Flat	6	9	3	3296-29	Nut - Lock	12	24	9
3256-23	Washer - Flat	3	15	8	3296-29	Nut - Lock	8	24	4
3256-23	Washer - Lock	12	6	3	3296-39	Nut - Lock	6	1	1
3256-24	Washer - Flat	10	16	6	3296-39	Nut - Lock	2	12	5
3256-24	Washer - Flat	6	22	3	3296-39	Nut - Lock	10	15	6
3256-25	Washer - Flat	8	15	1	3296-39	Nut - Lock	12	17	2
3256-26	Washer - Flat	4	13	1	3296-39	Nut - Lock	5	20	1
3256-29	Washer - Flat	2	21	2	3296-42	Nut - Lock	10	5	1
3256-55	Washer - Fender	7	48	2	3296-42	Nut - Lock	6	20	5
3257-23	Key	6	41	1	3296-42	Nut - Lock	5	30	2
3272-4	Pin - Cotter	5	43	1	3296-42	Nut - Lock	12	41	9
3272-4	Pin - Cotter	6	32	1	3296-59	Nut - Lock	6	23	2
3272-6	Pin - Cotter	6	2	2	3296-59	Nut - Lock	12	40	1
3272-6	Pin - Cotter	2	9	2	32103-12	Nut - Wing	8	4	1
3272-12	Pin - Cotter	4	18	2	32103-22	Nut - Wing	8	10	2
3272-23	Pin - Cotter	2	20	2	32104-110	Screw - Cap Hex. Hd.	1	4	4
3290-134	Screw - Cap Mach. Hd.	5	46	1	32109-14	Nut - Wing	12	33	1
3290-250	Pin - Hair, Cotter	2	22	1	32120-64	Ring - Retaining	6	38	1
3290-250	Pin - Hair, Cotter	1	16	2	32121-32	Pin - Roll	2	31	1
3290-347	Nut - U-Type	1	5	4	32121-78	Pin - Roll	2	33	1
3290-354	Nut - Double	5	28	1	32144-14	Screw - Self Tapping	8	18	1
3290-354	Nut - Double	7	74	1	32144-14	Screw - Wash. Hd., Tap.	7	51	4
3290-355	Pin - Hair, Cotter	2	14	2	32144-42	Screw - Hex. Hd. Tapping	5	41	4
3290-378	Tie - Cable	3	13	1	32144-49	Screw - Tapping	6	12	1
3290-413	Washer - Belleville	5	19	7	32144-70	Screw - Hex. Hd. Tapping	6	44	1
3290-413	Washer - Belleville	2	28	4	32144-111	Screw - Special	12	43	8
3290-456	Washer - Belleville	7	68	2	32151-48	Ring - Retaining	4	6	2
3290-465	Washer - Belleville	12	29	1	32151-62	Ring - Retaining	7	67	1
3290-478	Washer - Belleville	7	64	2	32152-1	Nut - Lock	11	2	4
3296-2	Nut - Lock	5	44	1	32153-3	Nut - Lock	8	35	1
3296-4	Nut - Lock	4	8	4					
3296-8	Nut - Lock	12	5	2					
3296-8	Nut - Lock	10	24	4					
3296-25	Nut - Lock	4	14	1					
3296-29	Nut - Lock	1	2	5					
3296-29	Nut - Lock	5	2	13					
3296-29	Nut - Lock	2	4	16					
3296-29	Nut - Lock	6	7	13					

OPTIONAL EQUIPMENT

Easy Empty Bagging Kit	Model No. 79090
Twin Bag Bagger Kit	Model No. 79080
Tire Chains	Part No. 11-0410
Hi-Sail Blade	Part No. 67-0200

PRODUCT CHANGES

In an effort to make improvements available to TORO owners as quickly as possible, minor changes are incorporated into Toro's products from time to time that do not become immediately shown in the Parts Catalog. If such a change has been made in your unit, which is not reflected in your manual, see your TORO Distributor or his Authorized TORO Service Dealer for information and part numbers.

COUNTRIES OTHER THAN THE UNITED STATES OR CANADA

Customers who have purchased TORO products exported from the United States or Canada should contact their Toro Distributor (Dealer) to obtain guarantee policies for your country, province or state. If for any reason you are dissatisfied with your Distributor's

service or have difficulty obtaining guarantee information, contact the TORO importer. If all other remedies fail, you may contact us at The Toro Company.

MAINTENANCE RECORD

Date									

MAINTENANCE RECORD

Date								

MAINTENANCE RECORD

Date									